

Dining Table

Assembly Instructions

Please assemble on soft surface after removing contents as not to scratch or damage stone surface.

Enjoy!







Item	Description	Q'ty
A	 Bolt 8x90	04
B	 Bolt 8x50	08
C	 Washer	08
D	 Allen Key	02
E	 Deco Cap	04
F	 Umbrella Plug	01

Table Top

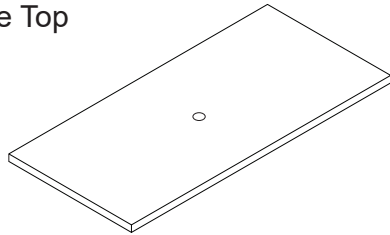
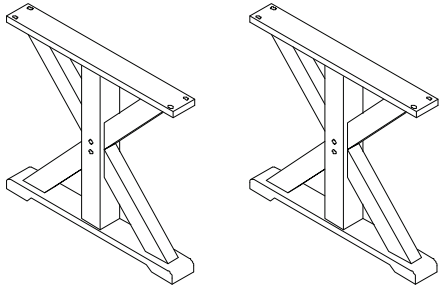
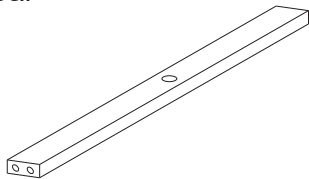


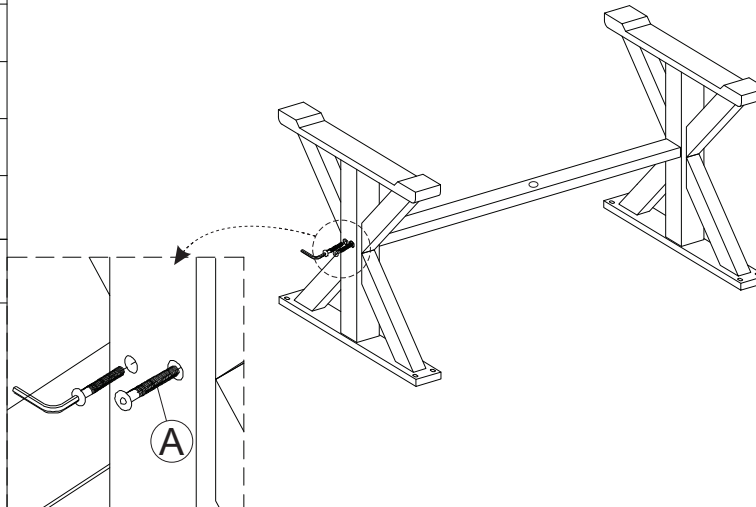
Table Base



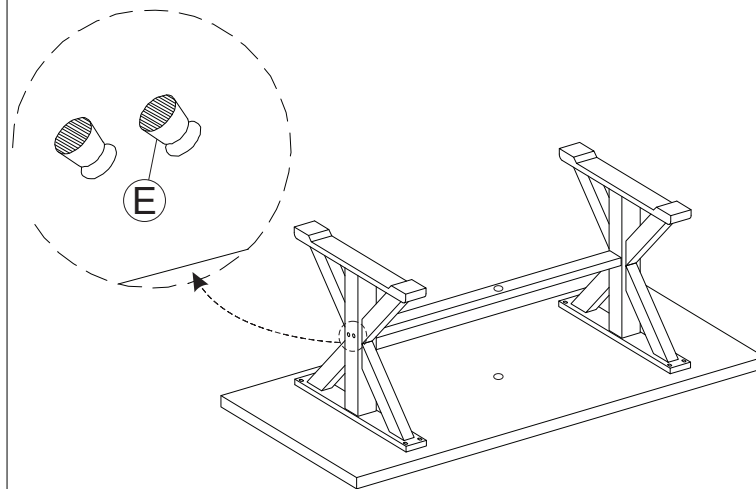
Crossbar



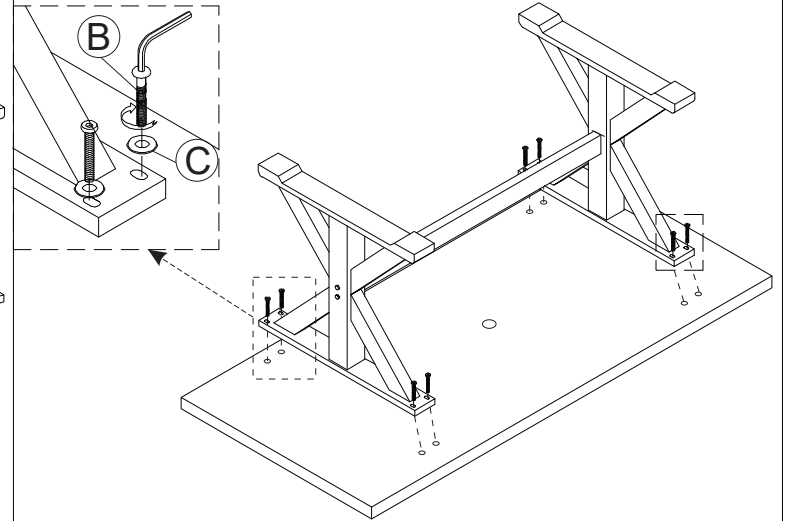
- STEP 1**
- Assemble two table base leg with crossbar.
 - Attach (4) "A" Bolt .



- STEP 3**
- Place (4) "E" wood deco caps over each hole
 - TAP GENTLY...



- STEP 2**
- Place table top on a soft surface as shown.
 - Fasten (8) "B" Bolts and (8) "C" washers to table top underside and frame.



- STEP 4**
- With 2 people carefully stand table upright.

