

ITEM NO. B9427/B9428 BENCH

ASSEMBLY INSTRUCTION

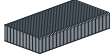
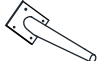
MODEL : B9427B/B9428B

DESCRIPTION : BENCH



Thank you for purchasing this quality product. Be sure to check all packing material carefully for small Hardware which may have come loose inside the carton during shipment. Identify and count all Hardware and compare with the Hardware List below.

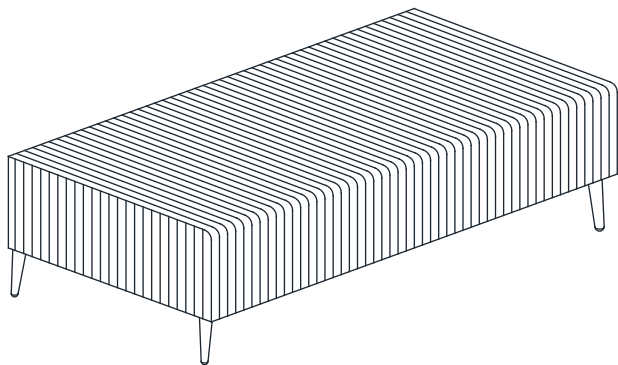
Note : Take out assembly instructions sheet, hardware pack and feet packaging from the drawer which marked with the rope.

COMPONENT LIST

A.		Bench	1 pc
B.		Feet	4 pcs

HARDWARE

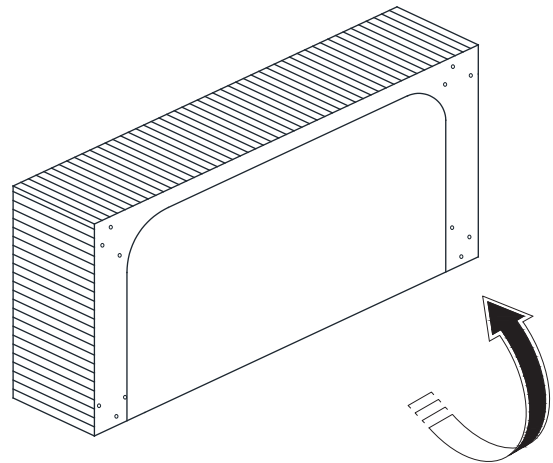
1.		JCBC Screw M6 x 15mm	12 pcs
2.		L Key M4	1 pc



ASSEMBLY COMPLETED

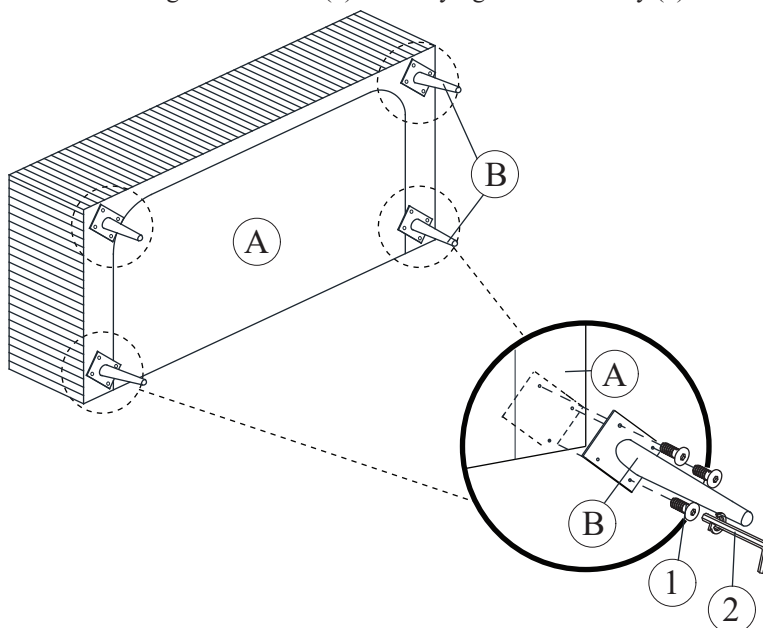
STEP 1

Place lay down the Bench on the floor.



STEP 2

Align feet (B) to Bench. Fasten the feet using JCBC Screw (1) and fully tighten with L key (2).



NOTE : MUST TIGHTEN SCREWS PERIODICALLY WITH USE SCREW WILL BECOME LOOSE.
CHECK TIGHTNESS OF ALL SCREW EVERY 6-8 WEEKS.