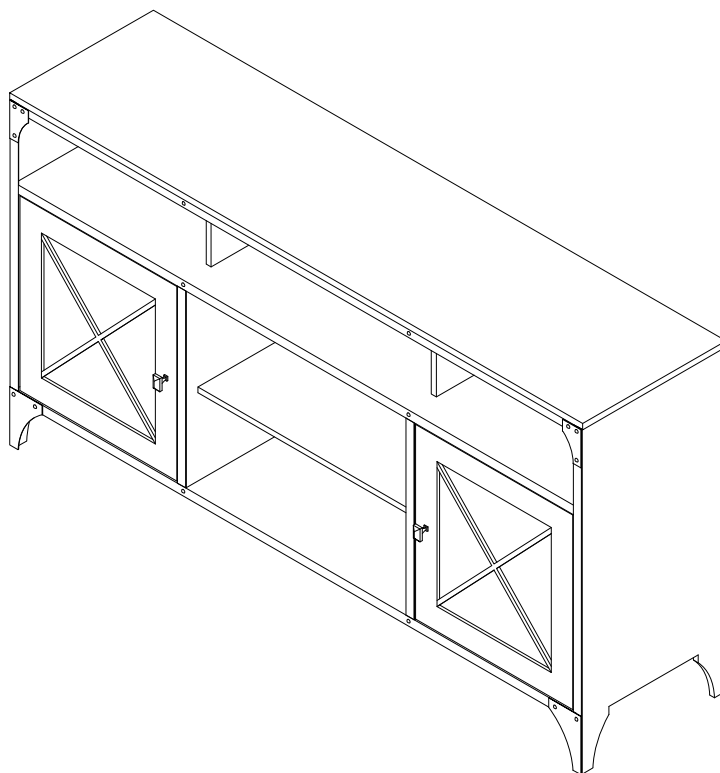


BLANC MONT 63IN RUSTIC TV STAND

ASSEMBLY

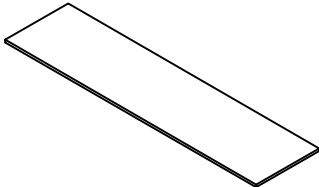
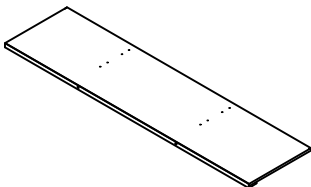
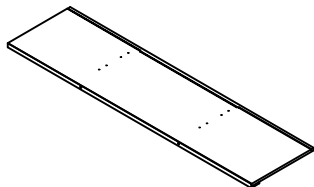
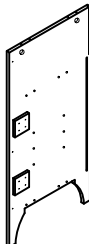
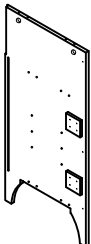
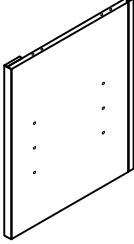
INSTRUCTIONS



Thank you for purchasing this quality product. Be sure to check all packing material carefully for small parts, which may have come loose inside the carton during shipment. Count all parts and material hardware, then compare with parts list to be sure all parts are present. If any parts are missing or damaged, phone, fax, or mail to our Customer Service Department for efficient and speedy service. Please indicate the model number and code letter of part(s) needed.

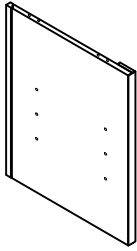
NOTE: In order to prevent damage during assembly, please assemble this item with at least two people.

IMPORTANT NOTE: Follow instructions listed below in proper sequence as numbered to assure fast, easy and correct assembly.

<b>PARTS LIST</b>		
<b>A</b>	<b>B</b>	<b>C</b>
		
TOP PANEL-1PC	MIDDLE PANEL-1PC	BOTTOM PANEL-1PC
<b>D</b>	<b>E</b>	<b>F</b>
		
LEFT SIDE PANEL-1PC	RIGHT SIDE PANEL-1PC	LEFT STAND PANEL-1PC

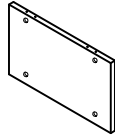
# PARTS LIST

**G**



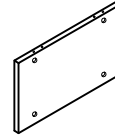
RIGHT STAND PANEL-1PC

**H**



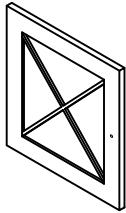
FIXED LEFT PANEL-1PC

**I**



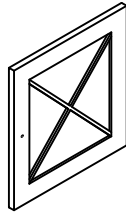
FIXED RIGHT PANEL-1PC

**J**



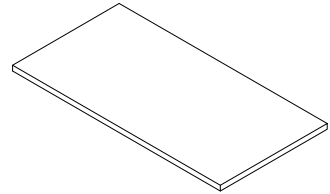
LEFT DOOR-1PC

**K**



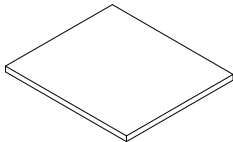
RIGHT DOOR-1PC

**L**



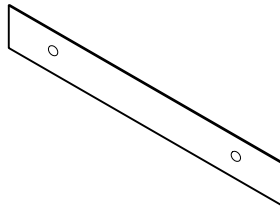
MIDDLE SHELF-1PC

**M**



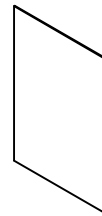
SIDE SHELF-2PCS

**N**



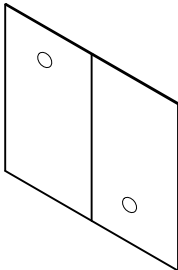
UPPER BACK PANEL-1PC

**O**



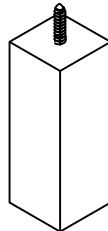
SIDE BACK PANEL-2PCS

**P**



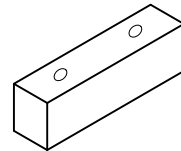
MIDDLE BACK PANEL-1PC

**Q**



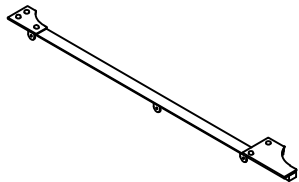
LEG SUPPORT-1PC

**R**



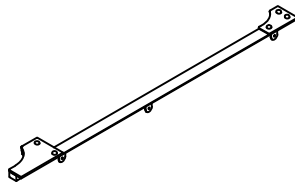
DOOR STOP-2PCS

**S**



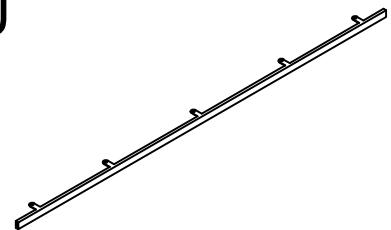
LEFT SIDE METAL-1PC

**T**

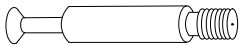


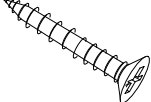
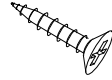

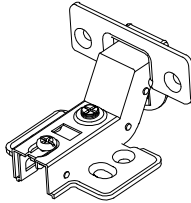
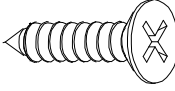
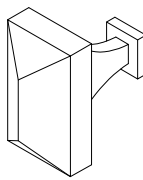
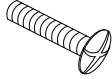

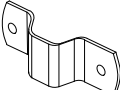
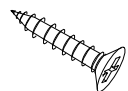
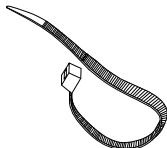

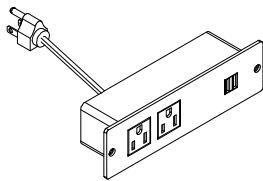
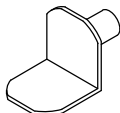


RIGHT SIDE METAL-1PC

**U**

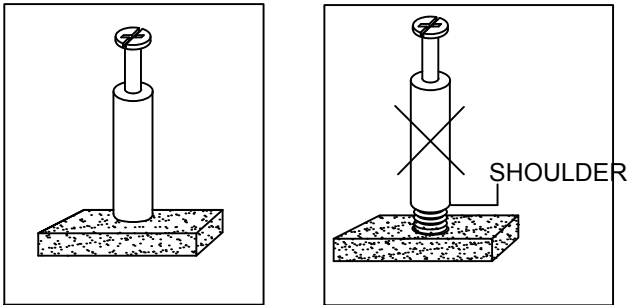


TOP METAL-1PC

<p><b>1</b></p>  <p>CAM-BOLTS-28PCS</p>	<p><b>2</b></p>  <p>CAM-LOCKS-28PCS</p>	<p><b>3</b></p>  <p>DOWELS-20PCS</p>
<p><b>4</b>                      6mm*1"</p>  <p>SCREWS-4PCS</p>	<p><b>5</b>                      6mm*1/2"</p>  <p>SCREWS-35PCS</p>	<p><b>6</b></p>  <p>ANGLE METAL-2PCS</p>
<p><b>7</b></p>  <p>HINGES-4PCS</p>	<p><b>8</b>                      7mm*3/4"</p>  <p>SCREWS-24PCS</p>	<p><b>9</b></p>  <p>KNOBS-2PCS</p>
<p><b>10</b></p>  <p>BOLTS-2PCS</p>	<p><b>11</b></p>  <p>CAM-TOOL-1PC</p>	<p><b>12</b></p>  <p>HOOKS-4PCS</p>
<p><b>13</b>                      7mm*1-1/2"</p>  <p>SCREWS-4PCS</p>	<p><b>14</b></p>  <p>PLASTIC BELTS-2PCS</p>	<p><b>15</b></p>  <p>ANCHORS-4PCS</p>
<p><b>16</b></p>  <p>SOCKET-1PC</p>	<p><b>17</b></p>  <p>SHELF PIN-12PCS</p>	

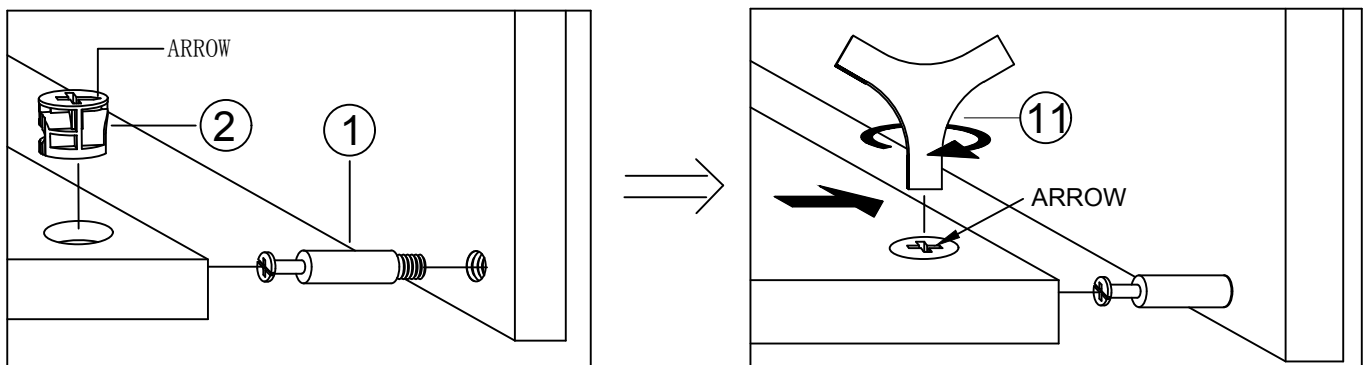
**NOTE: THE SURFACE WITH THE STICKER IS THE BACK SIDE**

NOTE: ● UPON OPENING, THOROUGHLY CLEAN ALL WOOD SURFACES TO REMOVE DUST AND DIRT THAT MAY HAVE SETTLED ONTO FINISH DURING SHIPMENT. IN ORDER TO PREVENT DAMAGE DURING ASSEMBLY, PLEASE ASSEMBLE THIS ITEM WITH AT LEAST TWO PEOPLE.

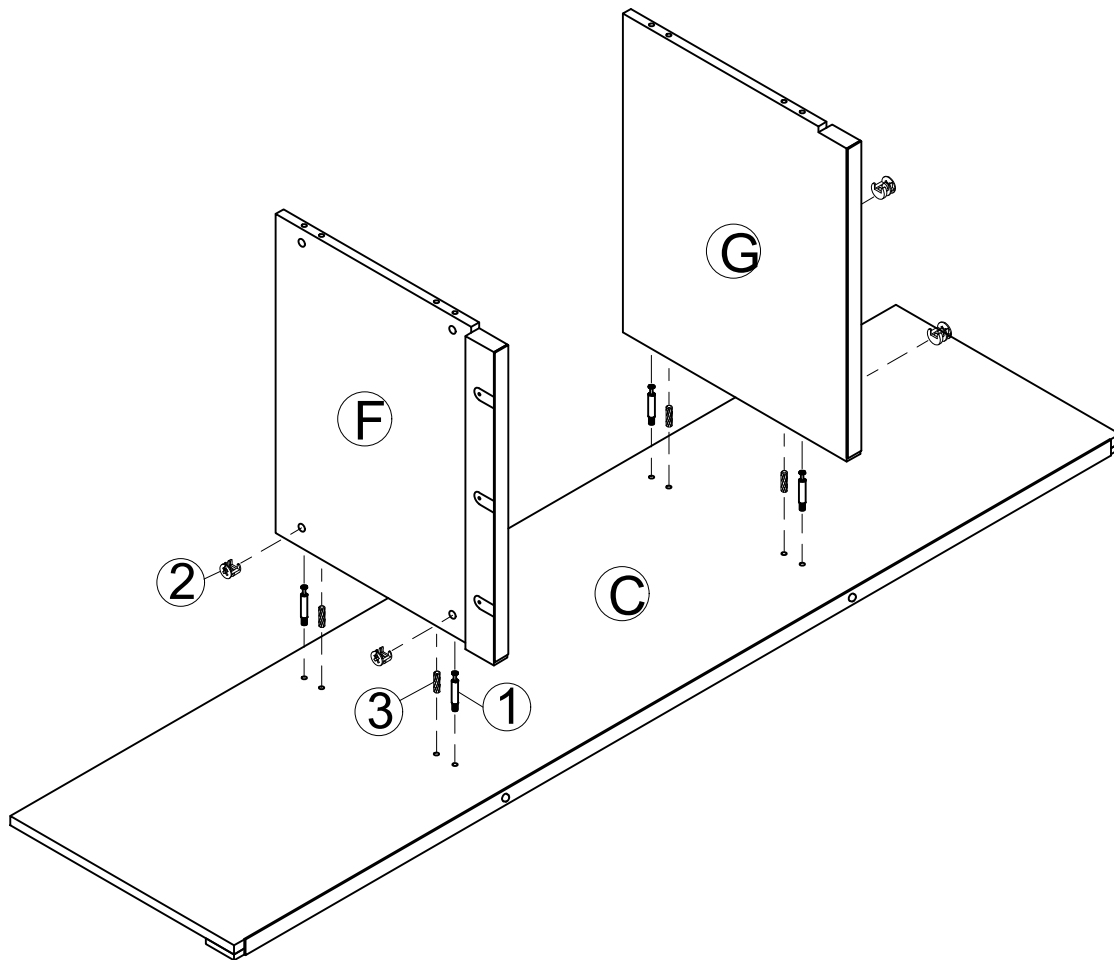


NOTE: TURN THE CAM-BOLT SCREWS UNTIL THEY ARE TIGHT, THE SHOULDER SHOULD BE AGAINST THE SURFACE OF THE PART.

## HOW TO USE THE CAM-TOOL

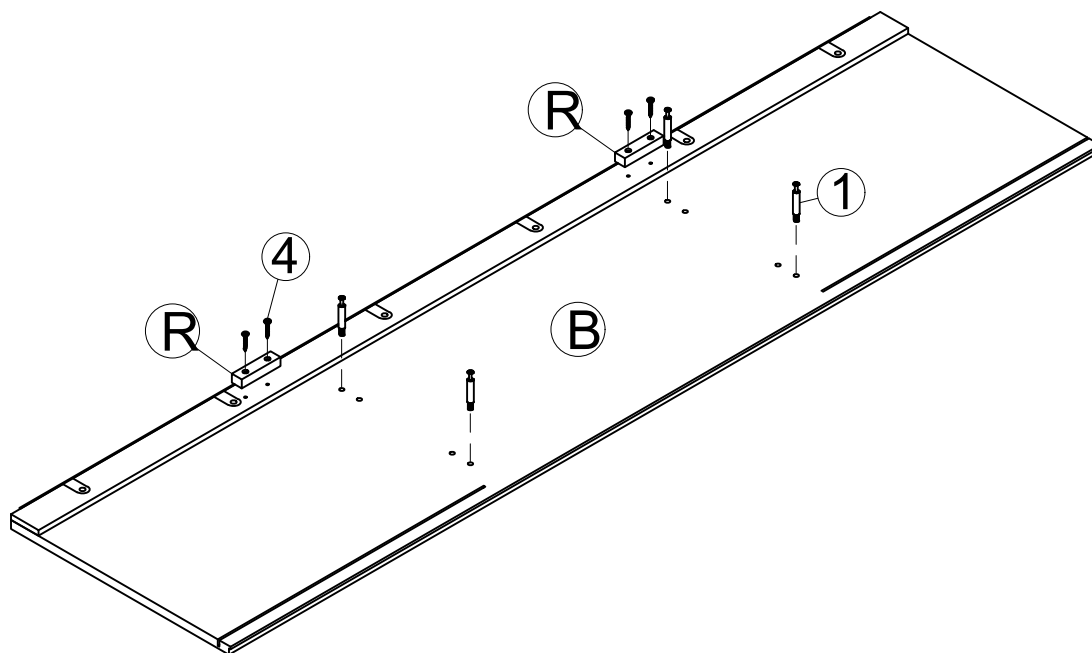


NOTE: ● THE ARROWS ON THE HIDDEN CAM-LOCKS SHOULD POINT TO THE CAM-BOLTS



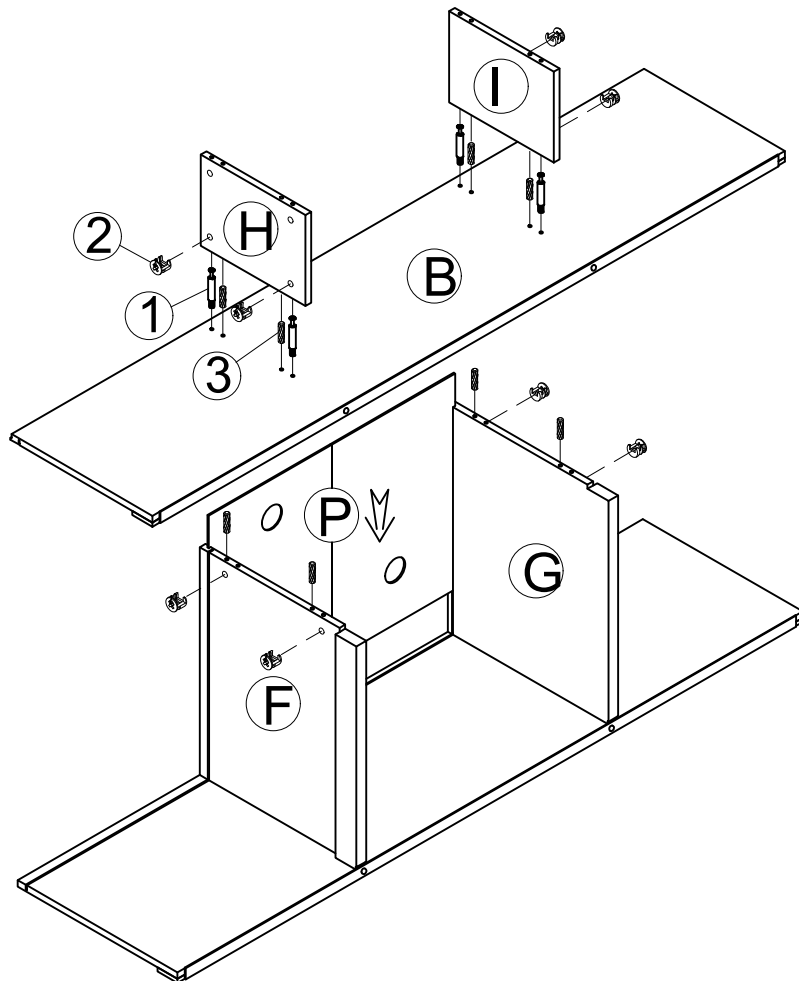
1).ASSEMBLE THE PANEL(F,G,C)

- ROTATE 4 THE CAM-BOLTS(1) AND 4 DOWELS(3) INTO THE HOLES IN THE PANEL(C) AND ATTACH USING 4 CAM-LOCKS (B)



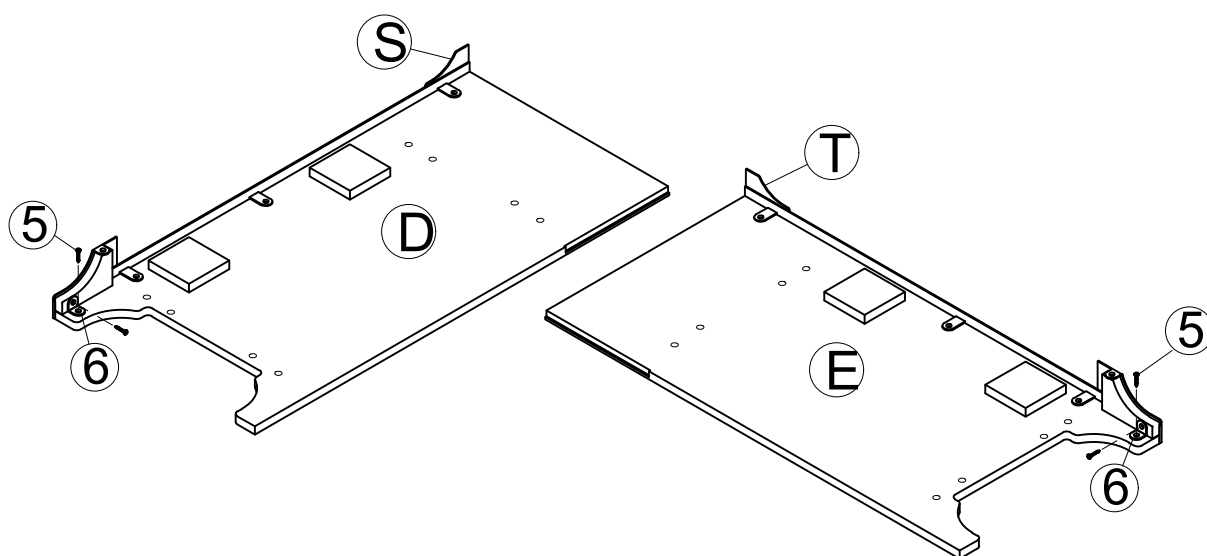
2).ASSEMBLE THE PANEL(R,B)

- ROTATE 4 THE CAM-BOLTS(1) INTO THE HOLES IN THE PANEL(B)
- PLACE THE PANEL(R) INTO THE HOLES IN THE PANEL(B)AND ATTACH USING 4 SCREWS (4).



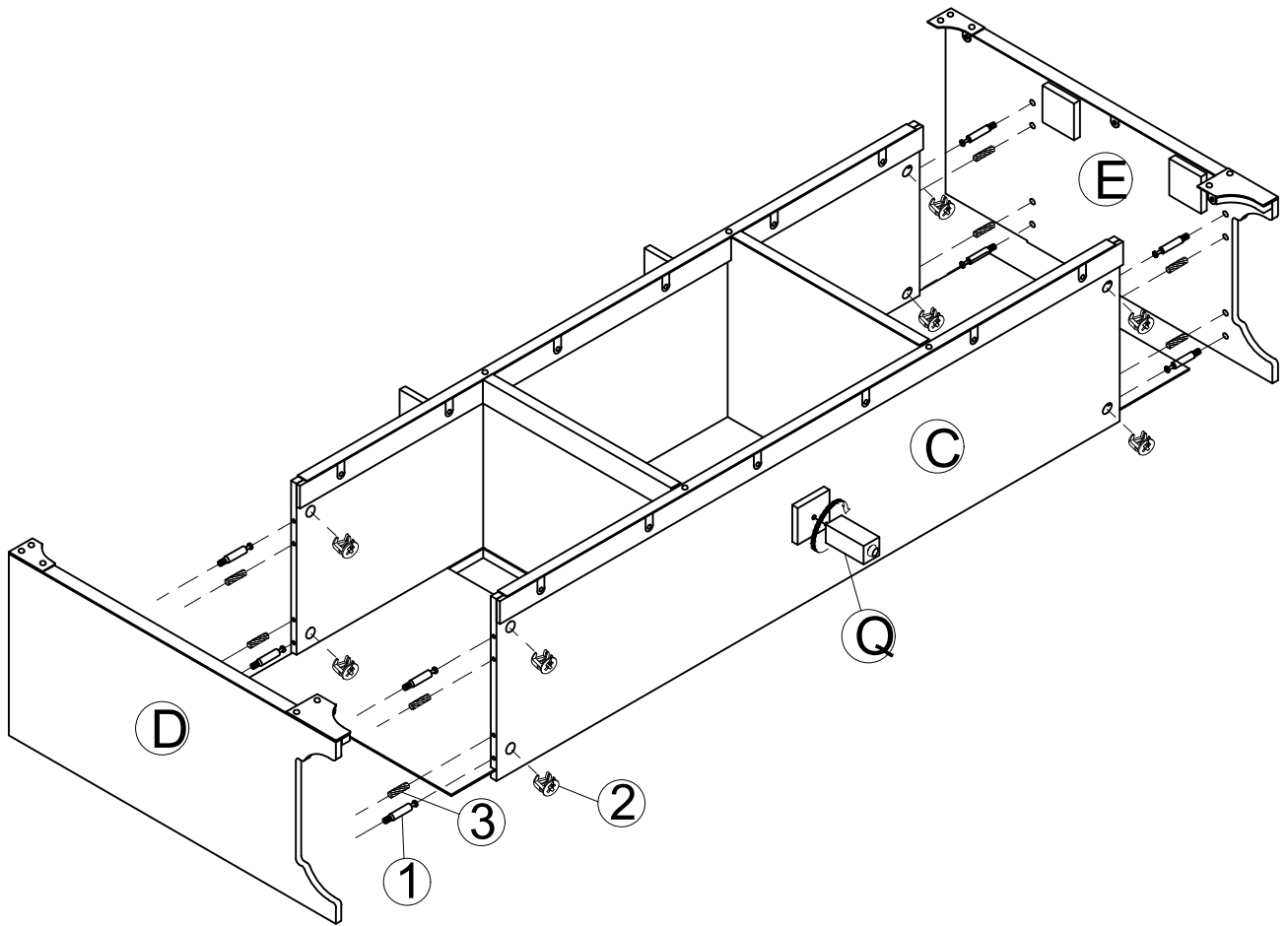
3). ASSEMBLE THE PANEL(P,H,I)

- PLACE THE PANEL(P) INTO THE SLOT IN THE PANEL(F,G)
- ROTATE 4 THE CAM-BOLTS(1) INTO THE HOLES IN THE PANEL(B)
- PLACE THE PANEL(H,I) AND 4 DOWELS(3) INTO THE HOLES IN THE PANEL(B) AND ATTACH USING 4 CAM-LOCK
- PLACE THE PANEL(B) INTO THE HOLES IN THE PANEL(F,G) AND ATTACH USING 4 CAM-LOCKS(2).



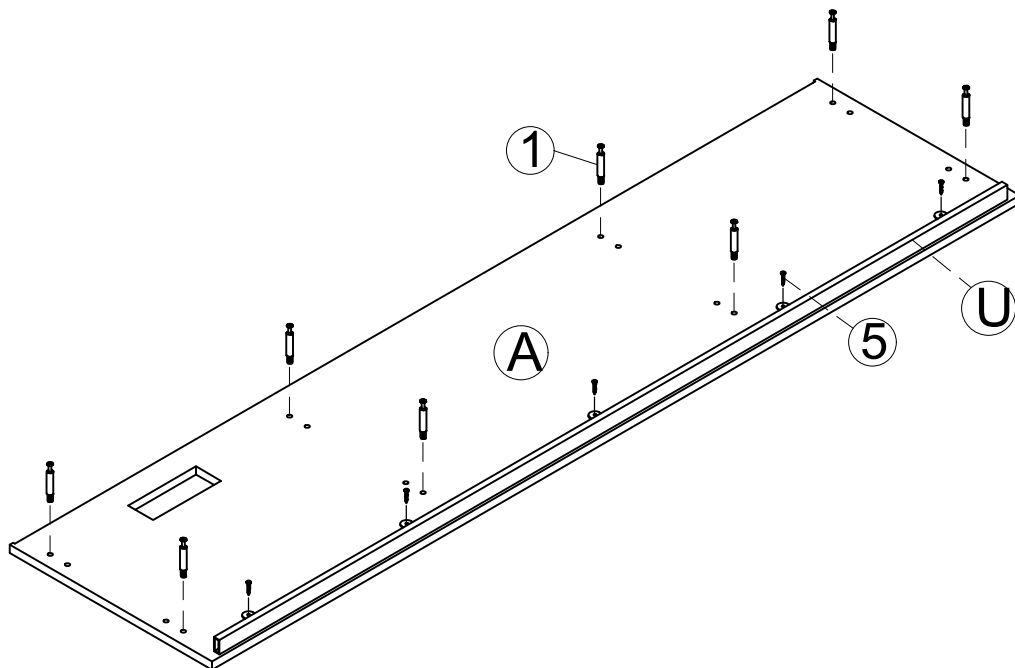
4). ASSEMBLE THE METAL PANEL(S,T)

- PLACE THE PANEL(S/T) AND ANGLE METAL(6) INTO THE HOLES IN THE PANEL(D/E) AND ATTACH USING 10 SCREWS(5).



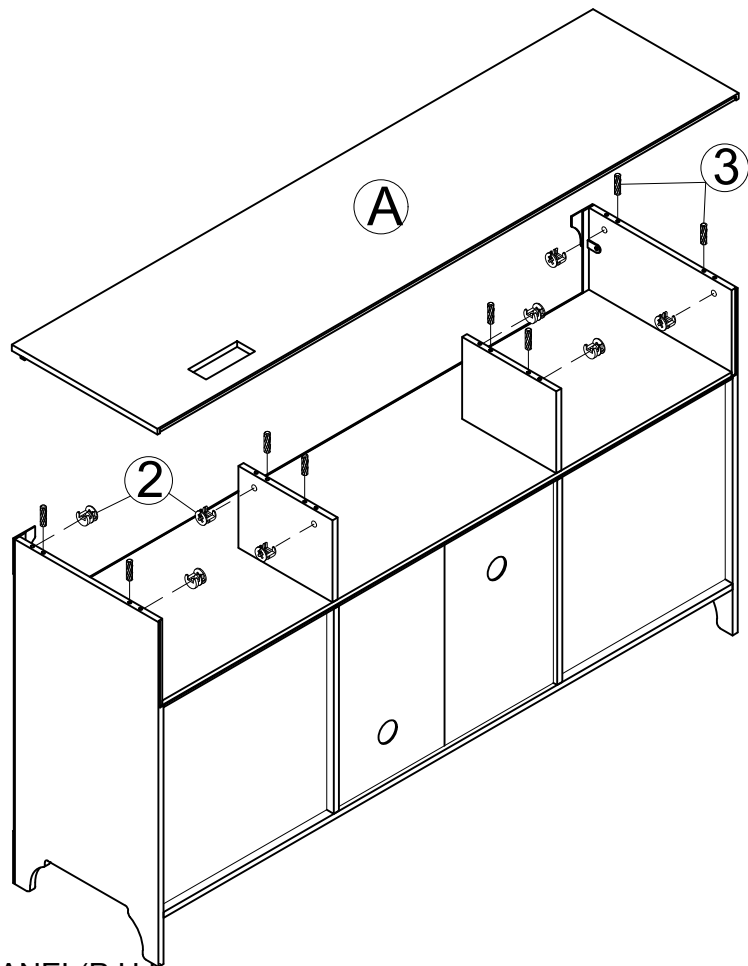
5). ASSEMBLE THE PANEL(P,H,I)

- ROTATE 8 THE CAM-BOLTS(1) AND 8 DOWELS(3) INTO THE HOLES IN THE PANEL(B,E)AND ATTACH USING 8 CAM-LOCKS(2).
- ROTATE THE PANEL(Q) INTO THE HOLES IN THE PANEL(C).



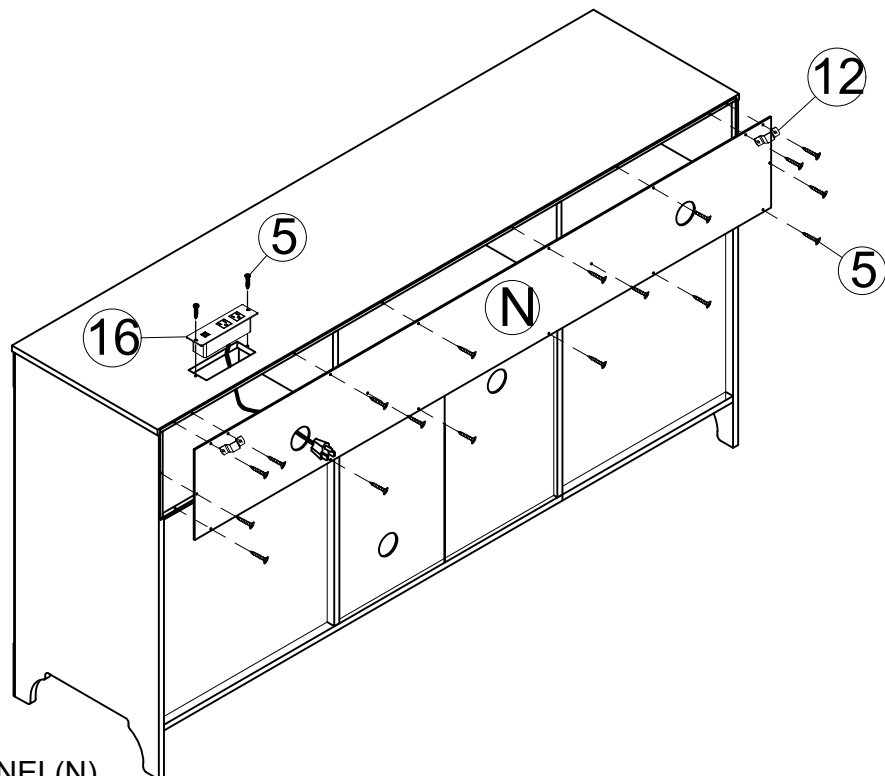
6). ASSEMBLE THE PANEL(A).

- ROTATE 8 THE CAM-BOLTS(1) INTO THE HOLES IN THE PANEL(A)
- PLACE THE TOP METAL(U) INTO THE HOLES IN THE PANEL(A) AND ATTACH USING 5 SCREWS(5).



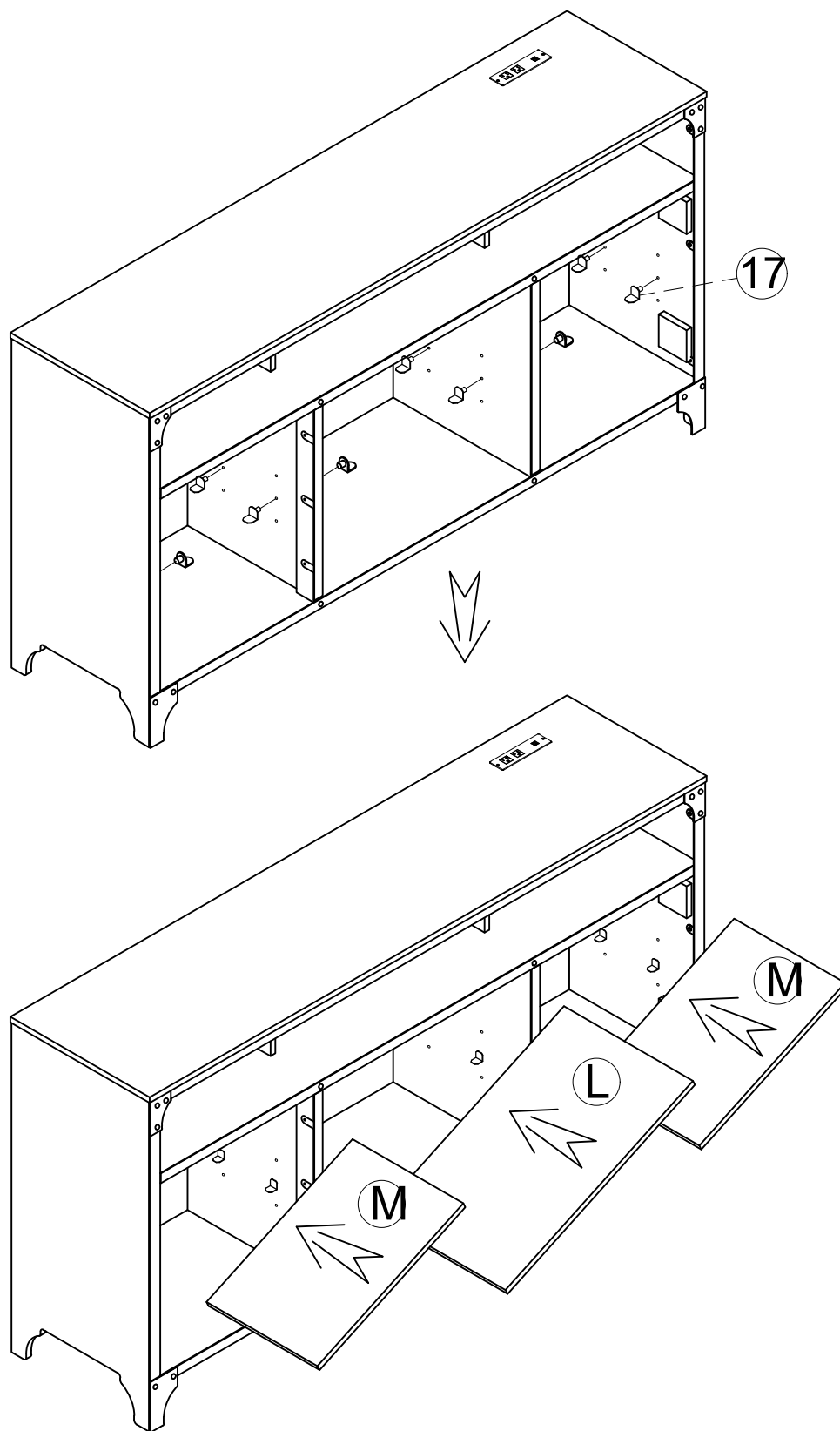
7). ASSEMBLE THE PANEL(P,H,I)

- PLACE THE PANEL(A) AND 8 DOWELS(3) INTO THE HOLES IN THE MAIN BODY AND ATTACH USING 8 CAM-LOC



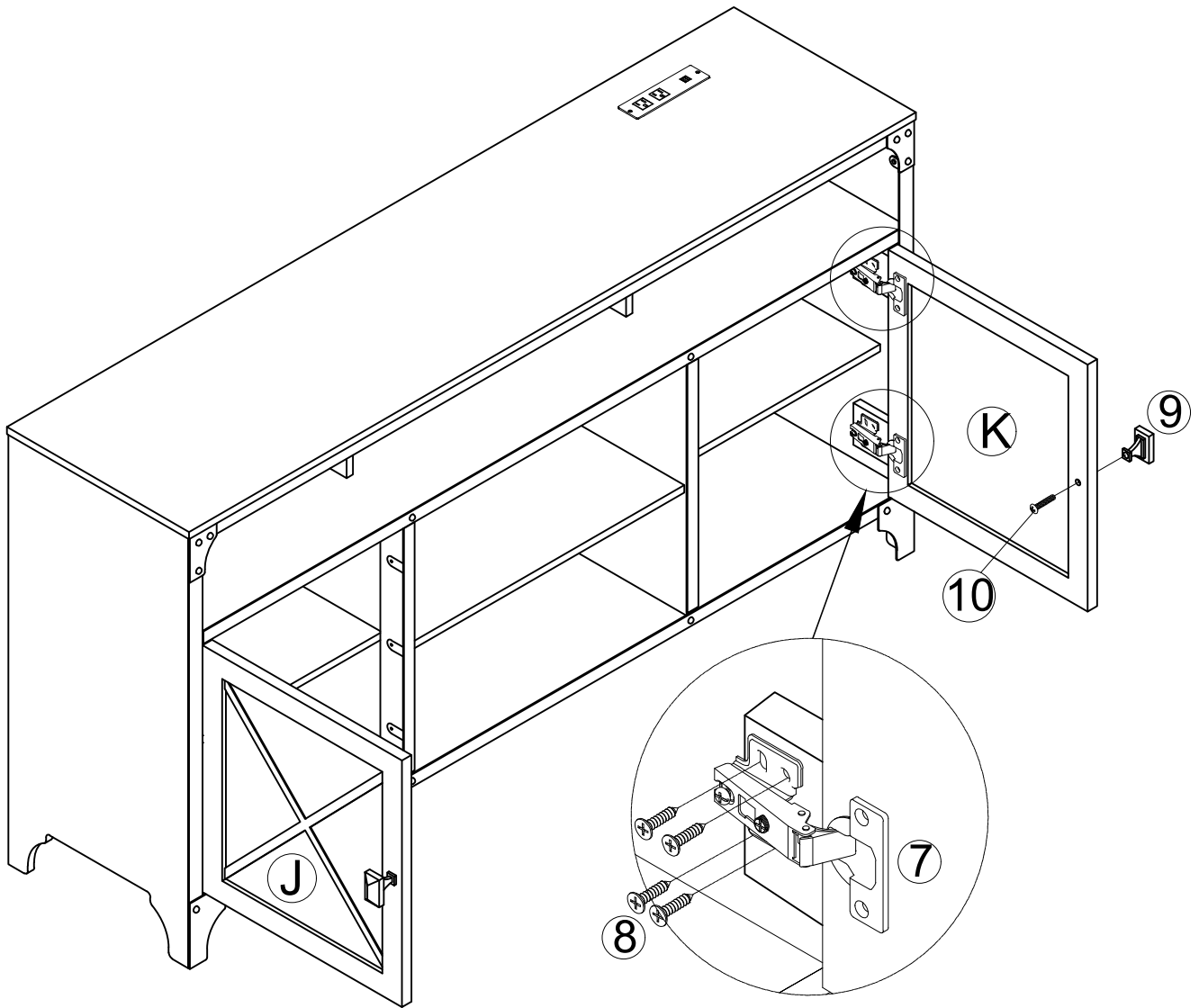
8). ASSEMBLE THE PANEL(N).

- PLACE THE PANEL(N) INTO THE HOLES IN THE MAIN BODY AND ATTACH USING 18 SCREWS(5).
- PLACE THE SOCKET(16) INTO THE HOLES IN THE TOP PANEL(A) AND ATTACH USING 2 SCREWS(5).



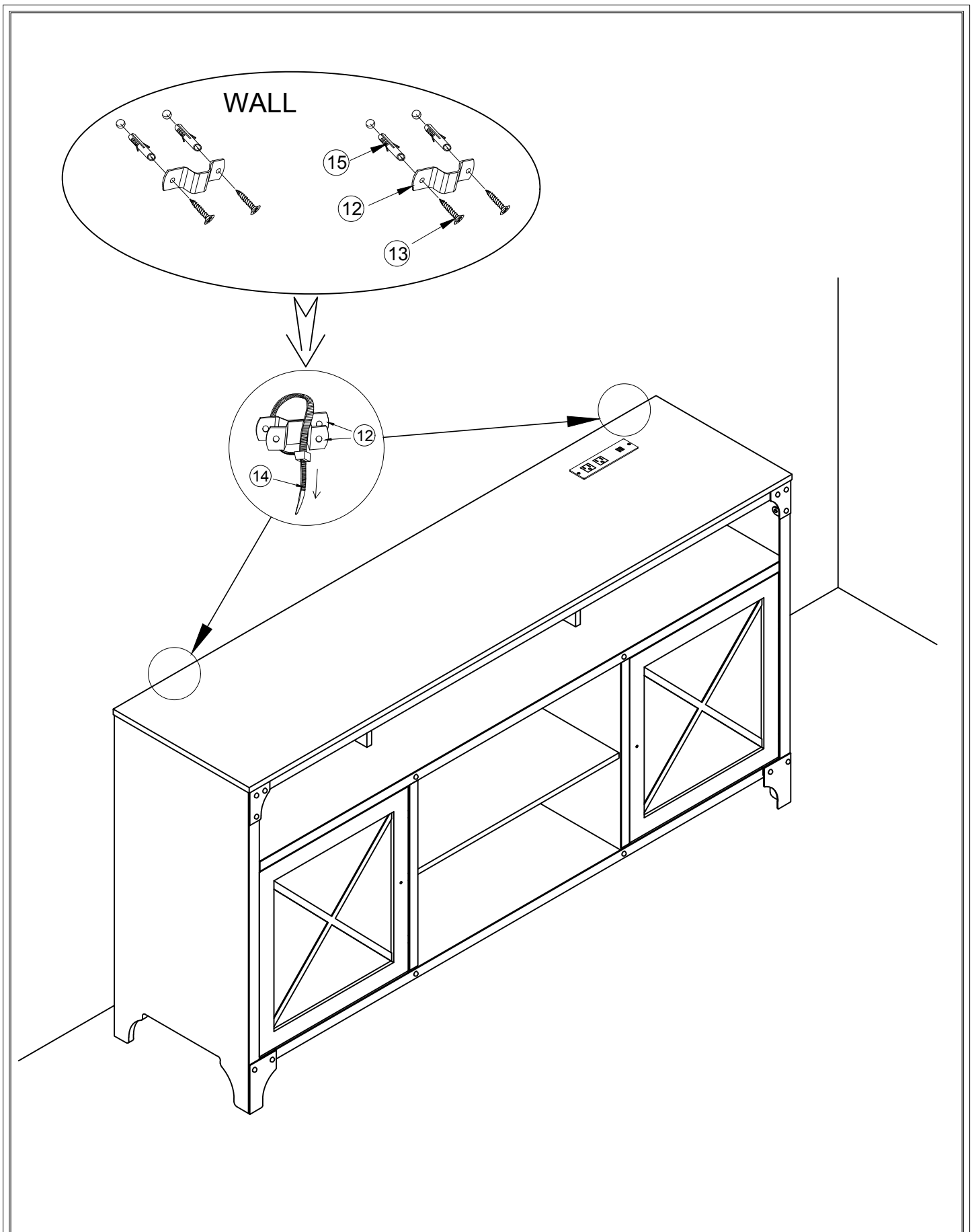
9). ASSEMBLE THE SHELF PANEL(L,M)

- PLACE 12 THE SHELF PIN(17) INTO THE HOLES IN THE MAIN BODY.
- PLACE THE SHELF PANEL(L,M) ON TO THE SHELF PIN(17).



10).ASSEMBLE THE DOOR(J,K).

- PLACE 4 THE HINGES(7) INTO THE HOLES IN THE PANEL(J,K) AND ATTACH USING 24 SCREWS(8).
- PLACE 2 THE KNOB(9) INTO THE HOLES IN THE PANEL(J,K) AND ATTACH USING 2 BOLTS(10).



**11).ASSEMBLE THE ANTI-TIP HARDWARE.**

- DRILL 4 HOLES INTO THE WALL, PLEASE REFER TO THE REAR TOP FRAME HOLE DISTANCE AND HEIGHT.
- PUT 4 ANCHORS(15) INTO THE HOLES IN THE WALL, AND ROTATE 4 SCREWS(13) INTO THE ANCHORS(15).
- CONNECT THE TWO HOOKS(12) WITH A PLASTIC BELT(14).