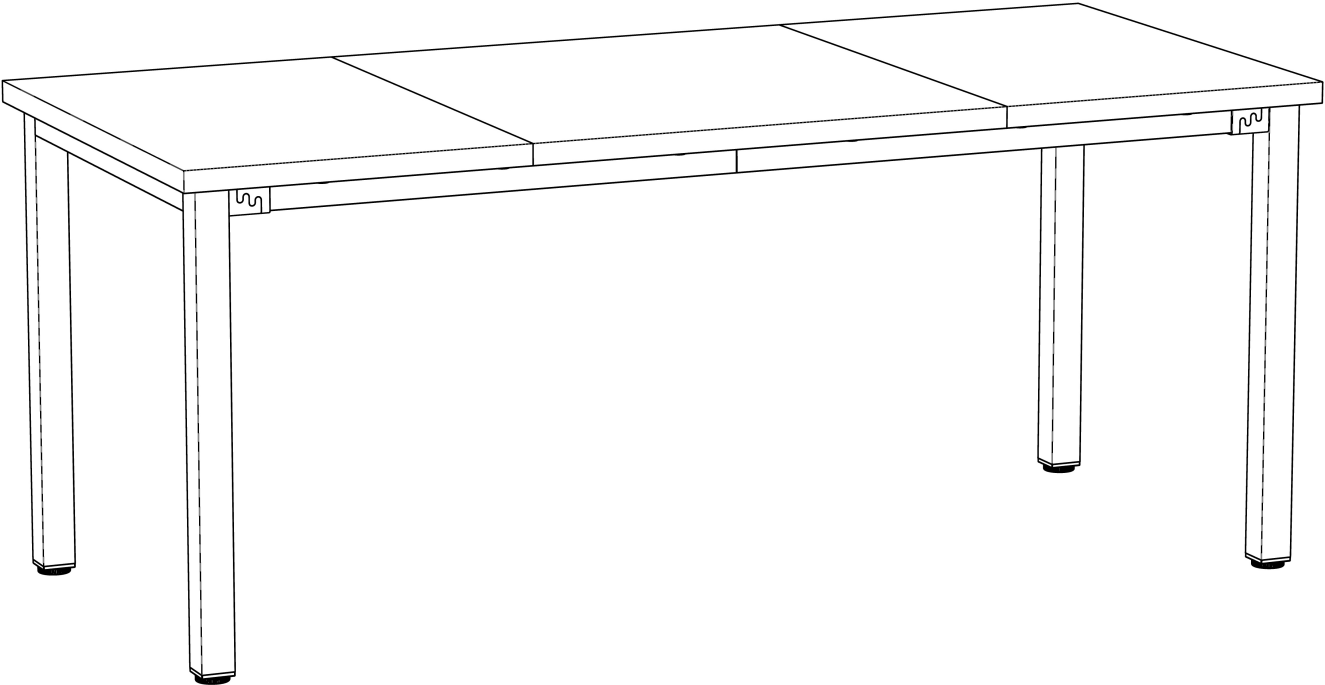


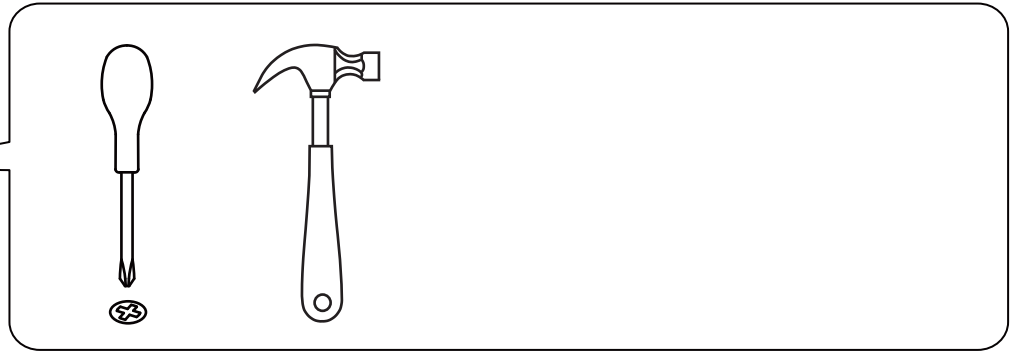
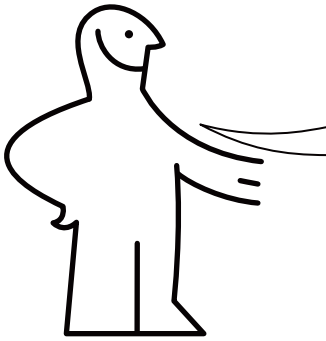
# ASSEMBLY INSTRUCTIONS

## COMPUTER DESK

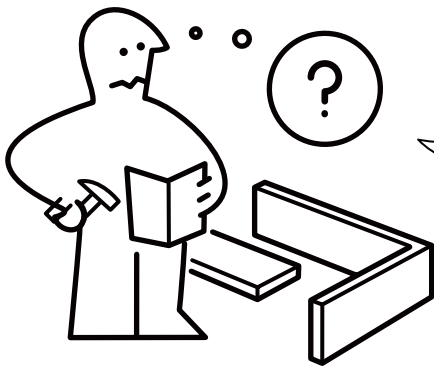
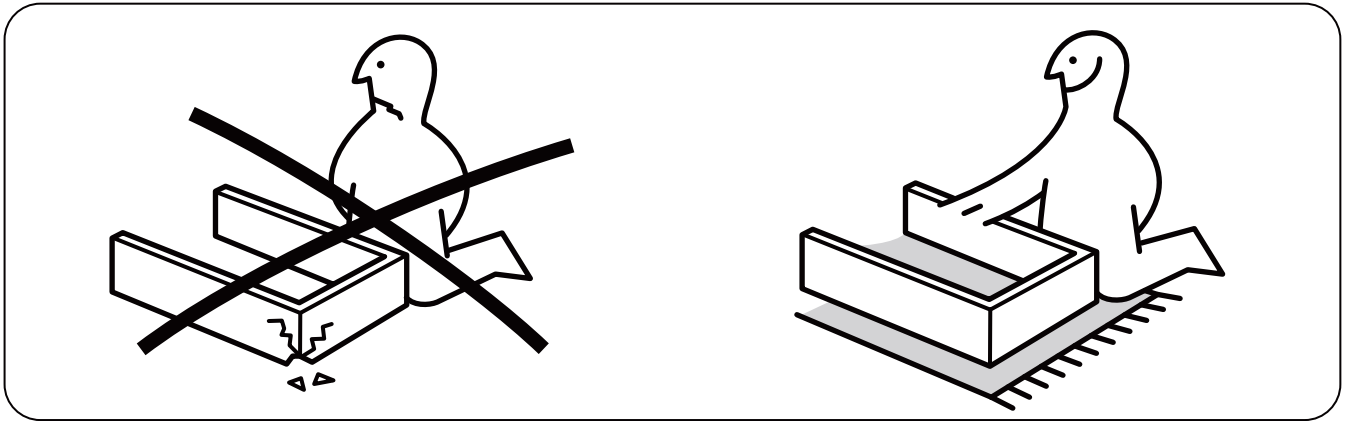
---



## Tools Required For Assembly

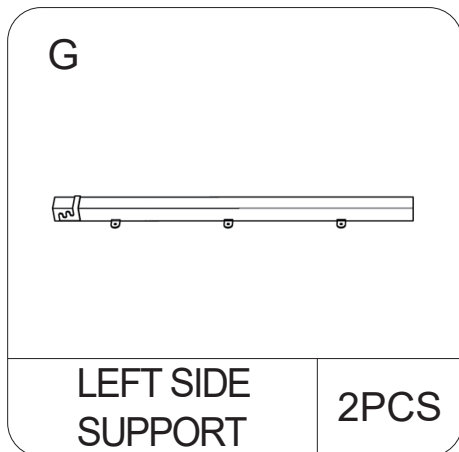
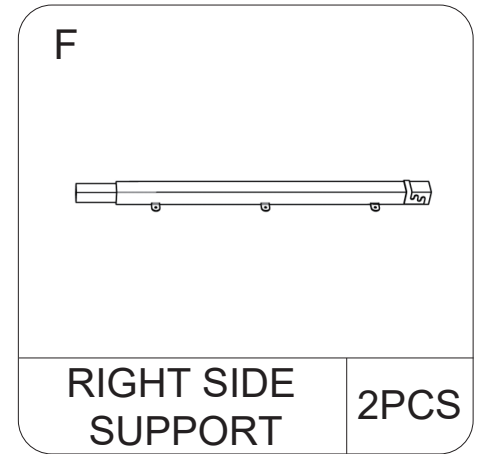
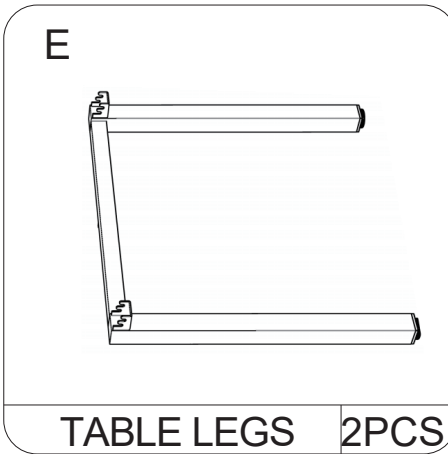
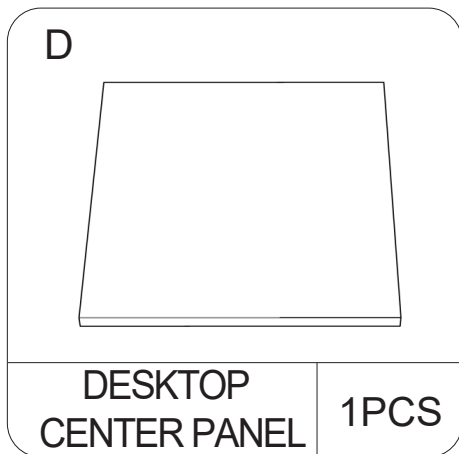
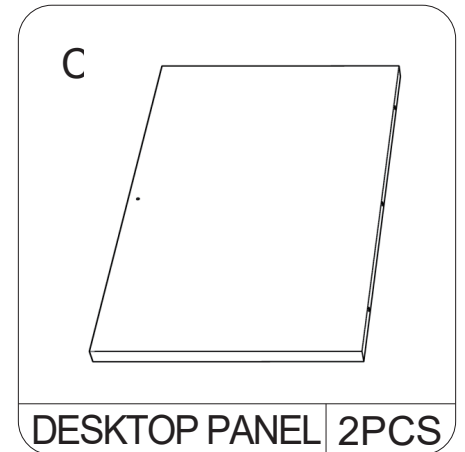
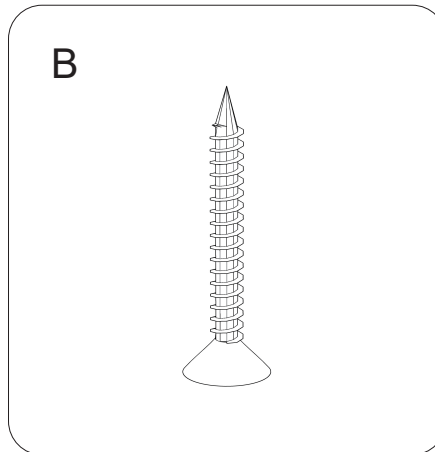
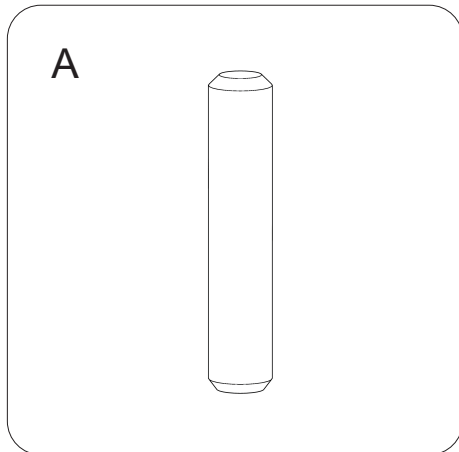


## Assemble Item On a Clean Flat Surface



If there are any product quality problems or you encounter difficulties during installation, please contact us by email. We will do our utmost to solve the problems for you.

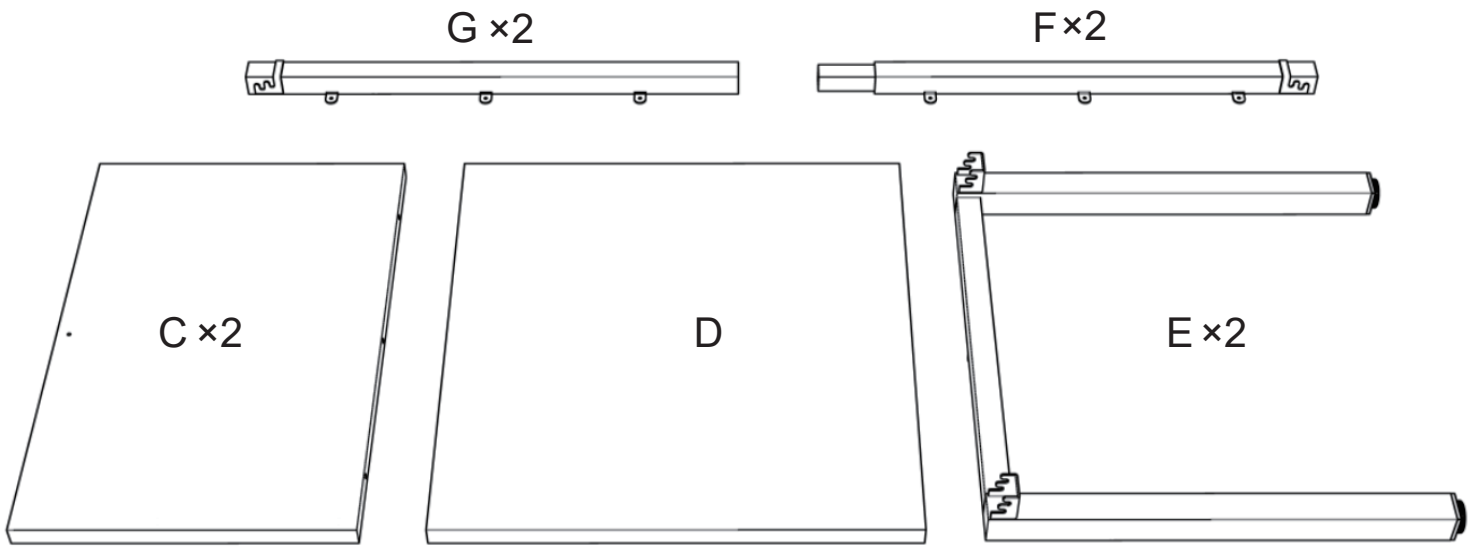
# PARTS:



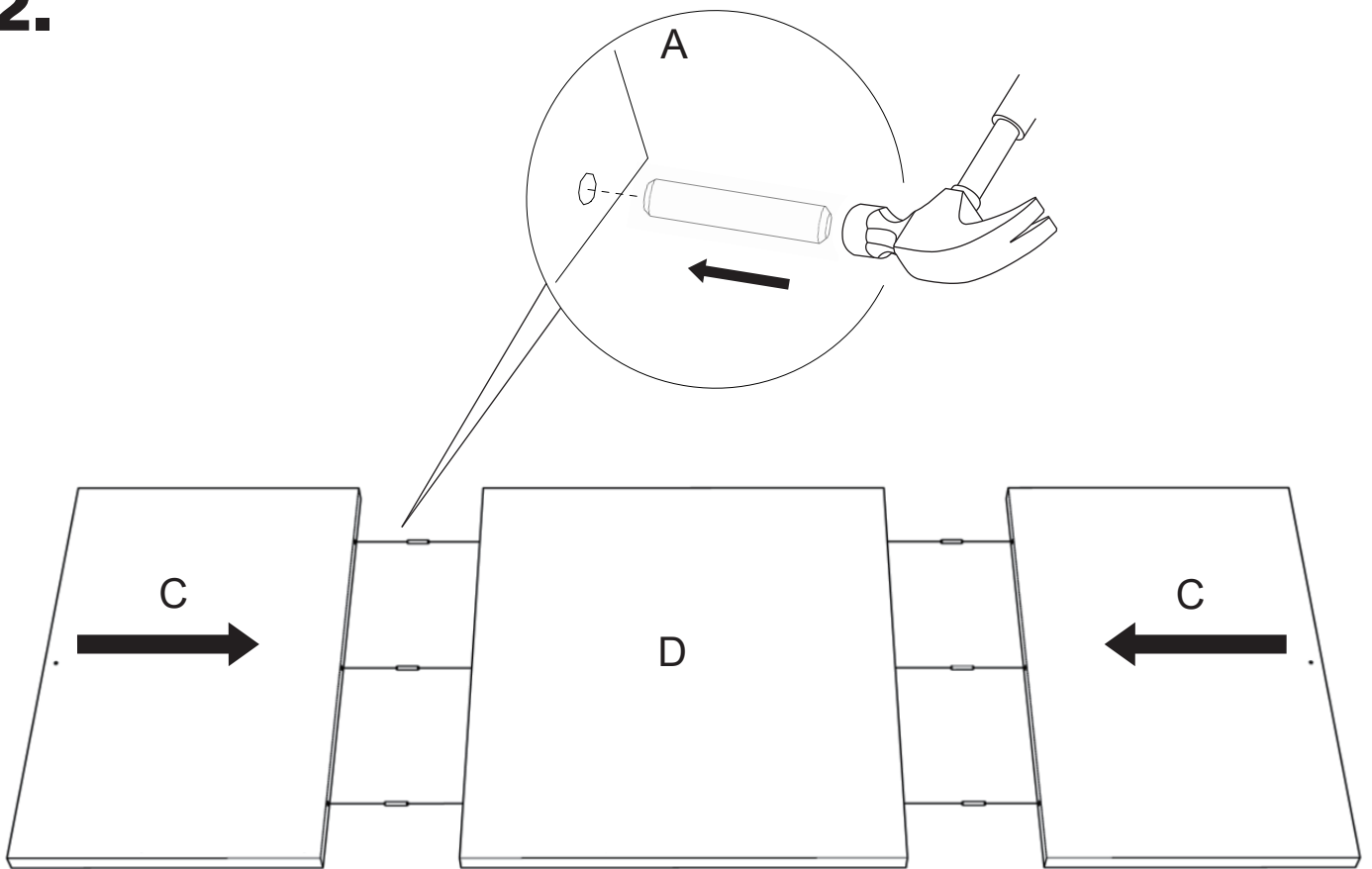
## USEFUL HINTS BEFORE YOU START:

1. Read each step carefully before starting.
2. It is important that each step is performed in correct order to avoid difficulties.
3. Identify, soft and count the parts before assembly.
4. Assemble your furniture on packaging cardboard to prevent scratch or damage.
5. Clean the product with mild cleanser using soft damped cloth. Do not use harsh or abrasive cleanser.
6. Using incompatible hardware might cause damage to product.
7. If there are any missing parts, please send us an email and we will send them to you.

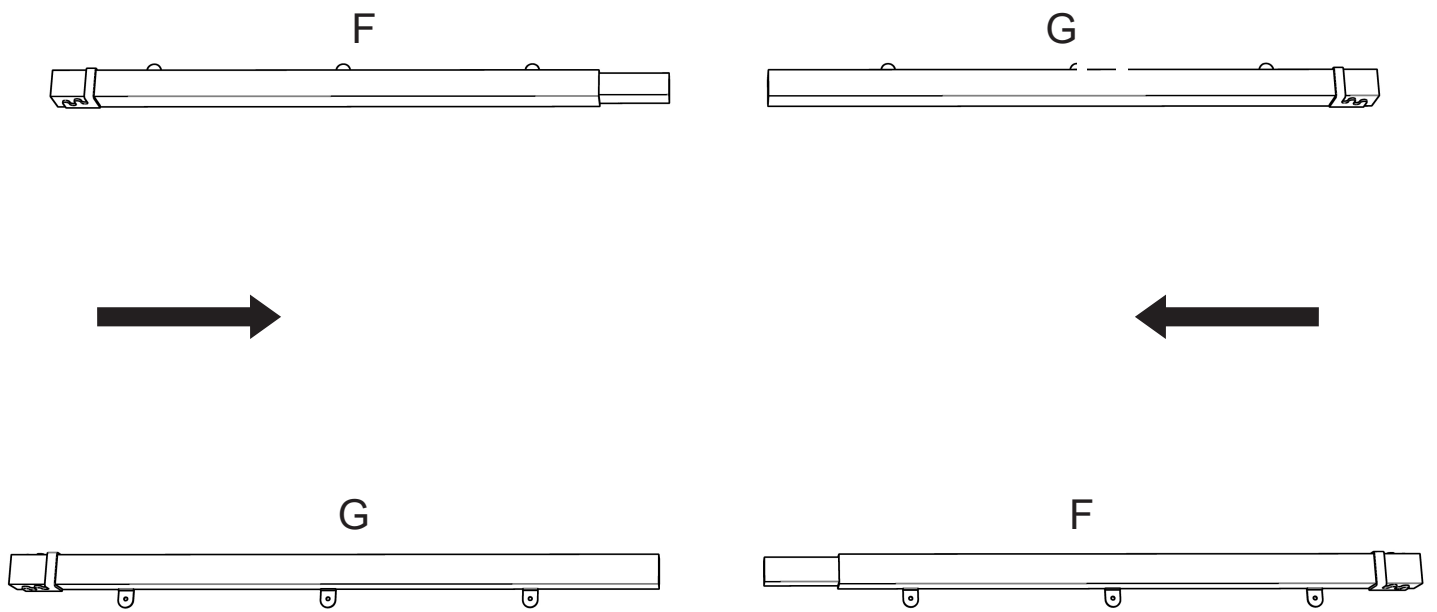
**1.**



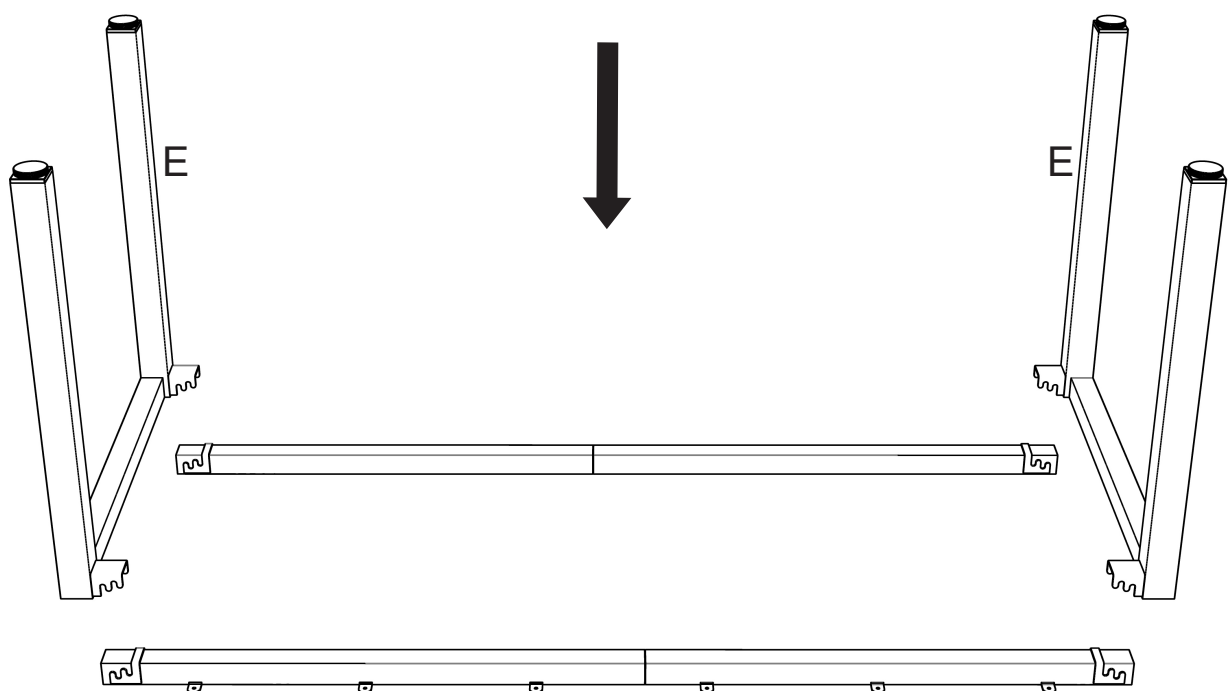
**2.**



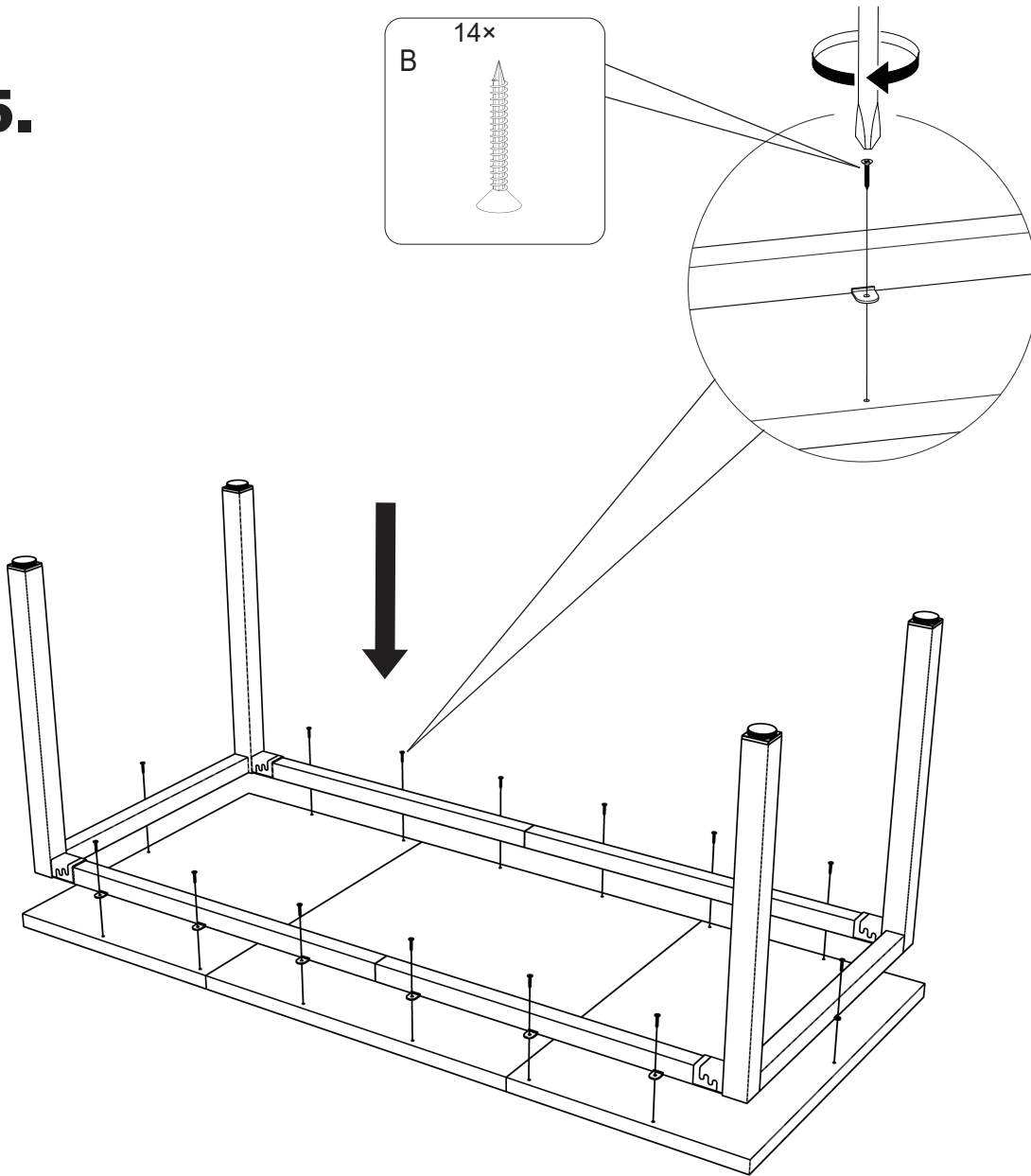
3.



4.



**5.**



**6.**

