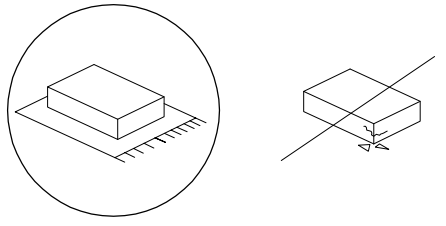

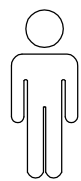
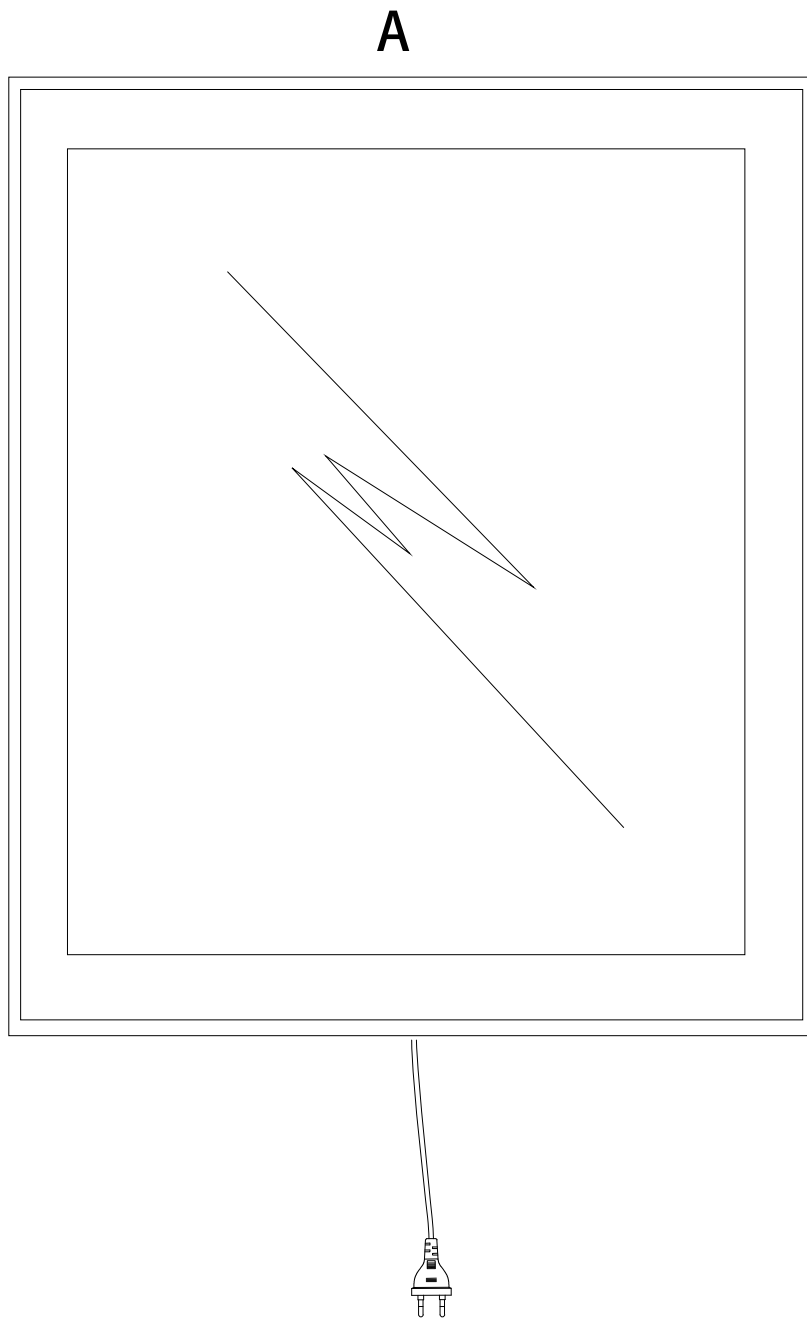
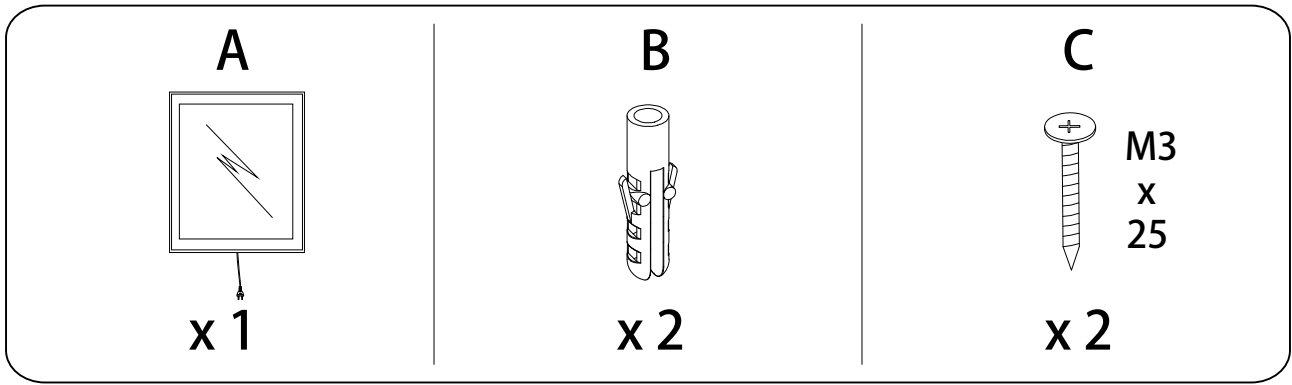
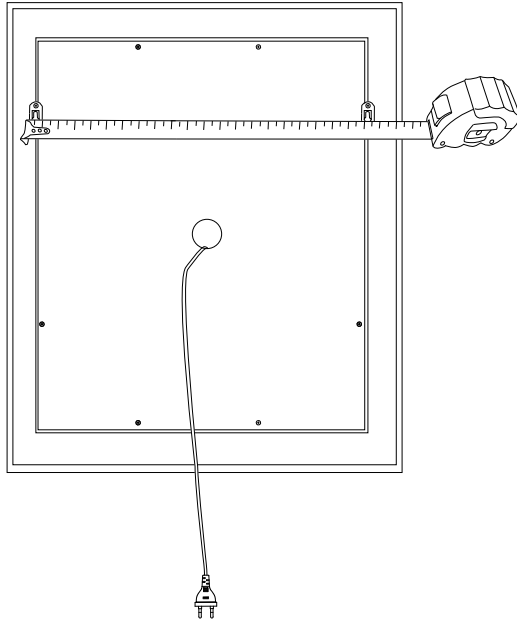
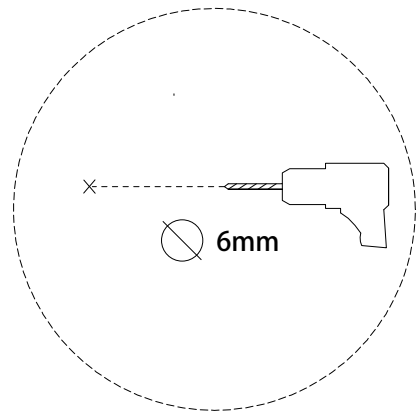
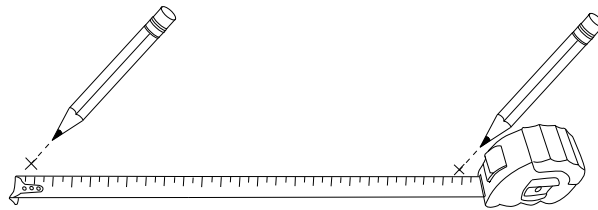

		10'
		
		1
1/5		




1




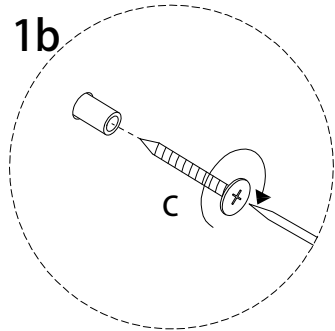
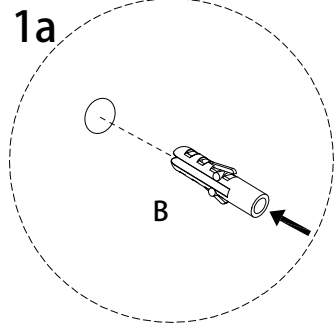
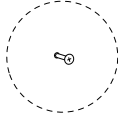
2




3

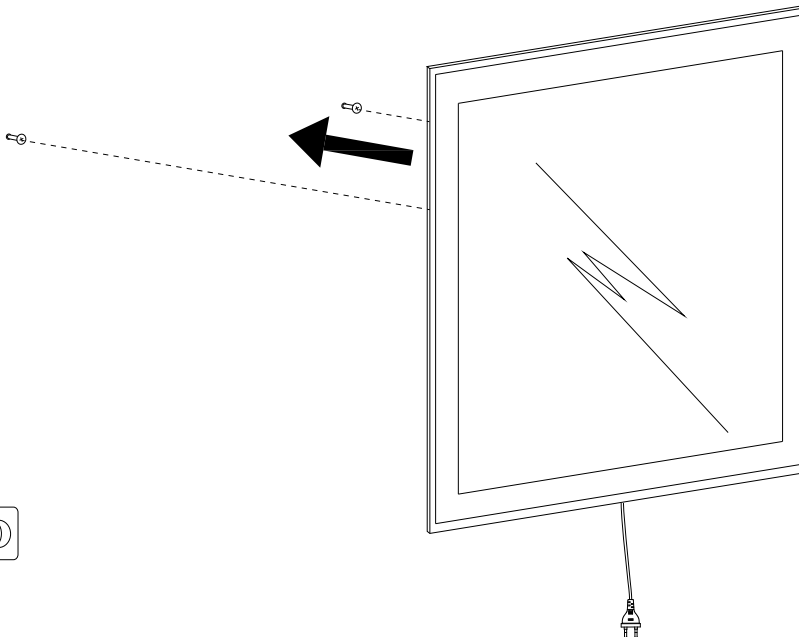
B

x 2

C

M3
x 25
x 2

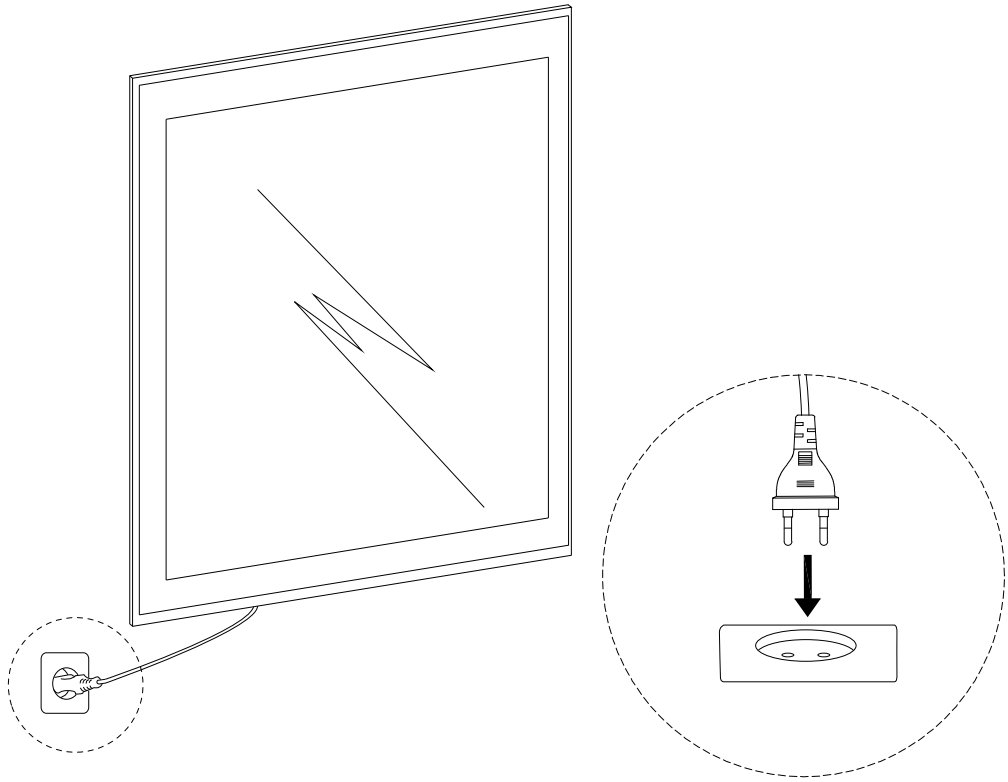


4

A

x 1



5



!

