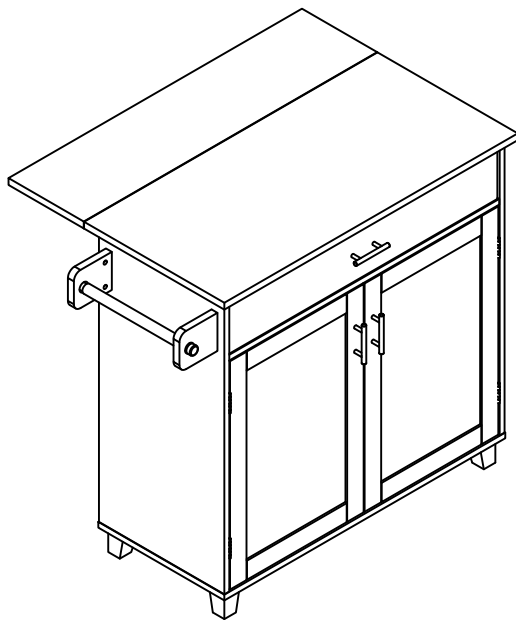
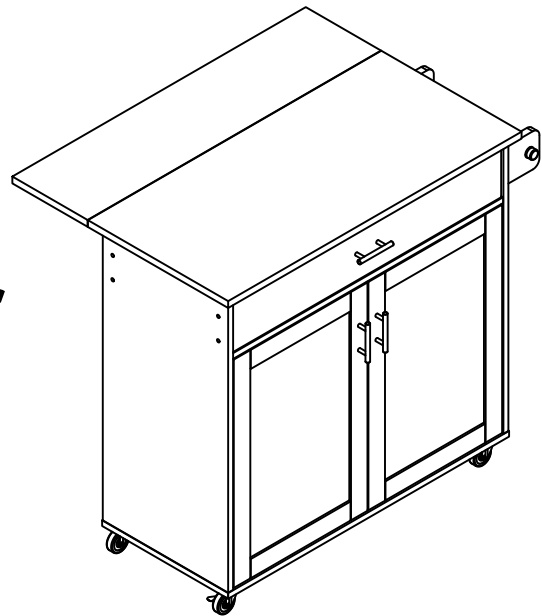


# Kitchen Island Carts

Assembly Instructions - Please keep for future reference



or



## Dimensions

Width-35 inch

Depth-25.75 inch

Height-34 inch

**Important – Please read these instructions fully before starting assembly**



# Safety and Care Advice

**Important – Please read these instructions fully before starting assembly**

- Check you have all the components and tools listed on the following pages.
- Remove all fittings from the plastic bags and separate them into their groups.
- Keep children and animals away from the work area, small parts could choke if swallowed.
- Make sure you have enough space to layout the parts before starting.

- During assembly do not stand or put weight on the product, this could cause damage.
- Assemble the item as close to its final position (in the same room) as possible.
- Assemble on a soft level surface to avoid damaging the unit or your floor.
- Parts of the assembly will be easier with 2 people.



power drill is set on a low torque setting.

- To reduce the likelihood of damaging your product please ensure that your

## Care and maintenance

• Only clean using a damp cloth and mild detergent, do not use bleach or abrasive cleaners.

• From time to time check that there are no loose screws on this unit.

• This product should not be discarded with household waste. Take to your local authority waste disposal centre.

## Handy Hints

• Assemble all parts and bolts loosely during assembly, only once the product is complete should you fully tighten the bolts

• Regularly check and ensure That all bolts and fittings are tightend properly.

## **WARNING** In order to help prevent overturning – please follow these instructions

To help prevent product toppling over please follow the below steps:-

Use the anti tip stap or wall fixing method provided (if applicable)  
Do not allow children to climb or hang on the furniture  
Do not open more than one drawer at a time  
Do not place heavy items in the top drawers  
Do not place heavy items on top of the furniture, unless the furniture has been designed for this purpose


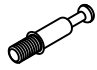



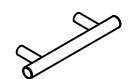

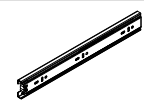
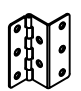

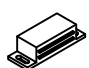











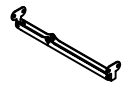

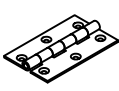

Please note that only the anti tip strap is provided.

You will need to provide wall plugs and screws applicable for your wall type

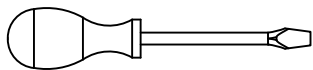
# Components - Fittings

Please check you have all the panels listed below

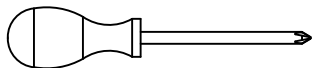
Note: The quantities below are the correct amount to complete the assembly. In some cases more fittings may be supplied than are required.

<b>A</b>  Ø6*30mm Dowel x42	<b>B</b>  Cam Bolt x36	<b>C</b>  Cam Lock x36	<b>D</b>  Hole to Stick x4
<b>E</b>  4*35mm Screw x16	<b>F</b>  Handle x3	<b>G</b>  4*25mm Bolt x6	<b>H</b>  Drawer Slide 14" x2
<b>I</b>  Door Hinge x4	<b>J</b>  3.0*12mm Screw x38	<b>K</b>  Door Catch x2	<b>L</b>  3.0*16mm Screw x4
<b>M</b>  Shelf Support Pin x12	<b>N</b>  6*60mm Bolt x4	<b>O</b>  6*45mm Bolt x4	<b>P</b>  6*12mm Bolt x16
<b>Q</b>  Flat Washer x4	<b>R</b>  Lock Washer x4	<b>S</b>  Allen Key x1	<b>T</b>  Vertical nut x4
<b>U</b>  Locking Caster x2	<b>V</b>  Caster x2	<b>W</b>  Support Hinges x1	<b>X</b>  4*15mm Screw x4
<b>Y</b>  Butt Hinge x3	<b>Z</b>  4*15mm Screw x18		

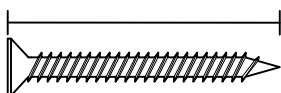
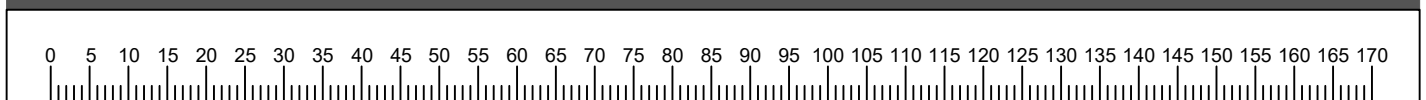
## Tools required



Phillips screwdriver  
(medium & large)



## Ruler - Use this ruler to help correctly identify the screws



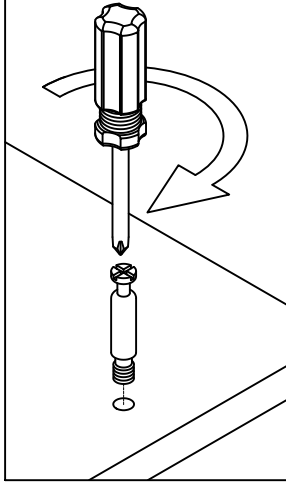
The screws length is measured from the head to the point (35mm screw shown).

# Using Camlocks

## Step 1

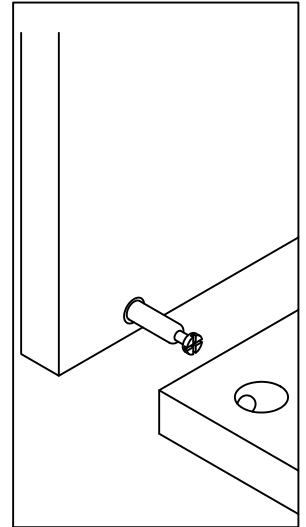
Connect the male camlock as directed in the assembly instructions using a screwdriver.

DO NOT OVER TIGHTEN.  
NE PAS SERRER EXCESSIVEMENT.



## Step 2

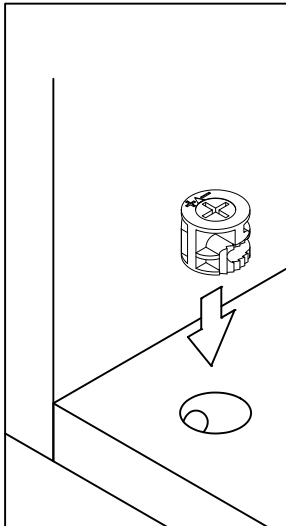
Push the male camlock into the entry hole.



## Step 3

Insert the female camlock as shown in the instruction.

**Note:** ensure that the arrow on the top of the camlock points towards the entry hole for the male camlock.

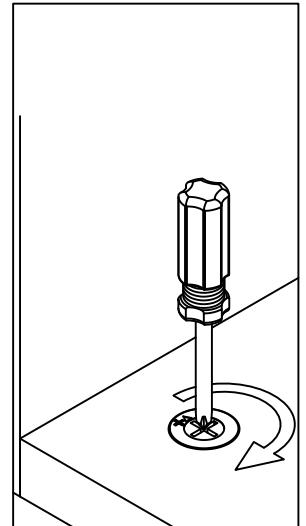


## Step 1

Turn the female camlock clockwise with a screwdriver.

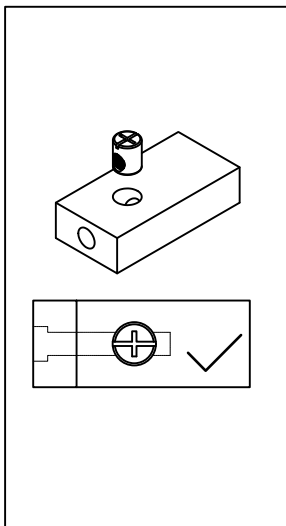
You should feel a click when the camlock is locked in place.

The joint is now secure.

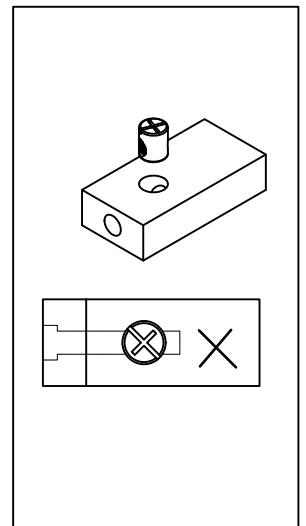


# Assembly Instructions for Lateral Nuts

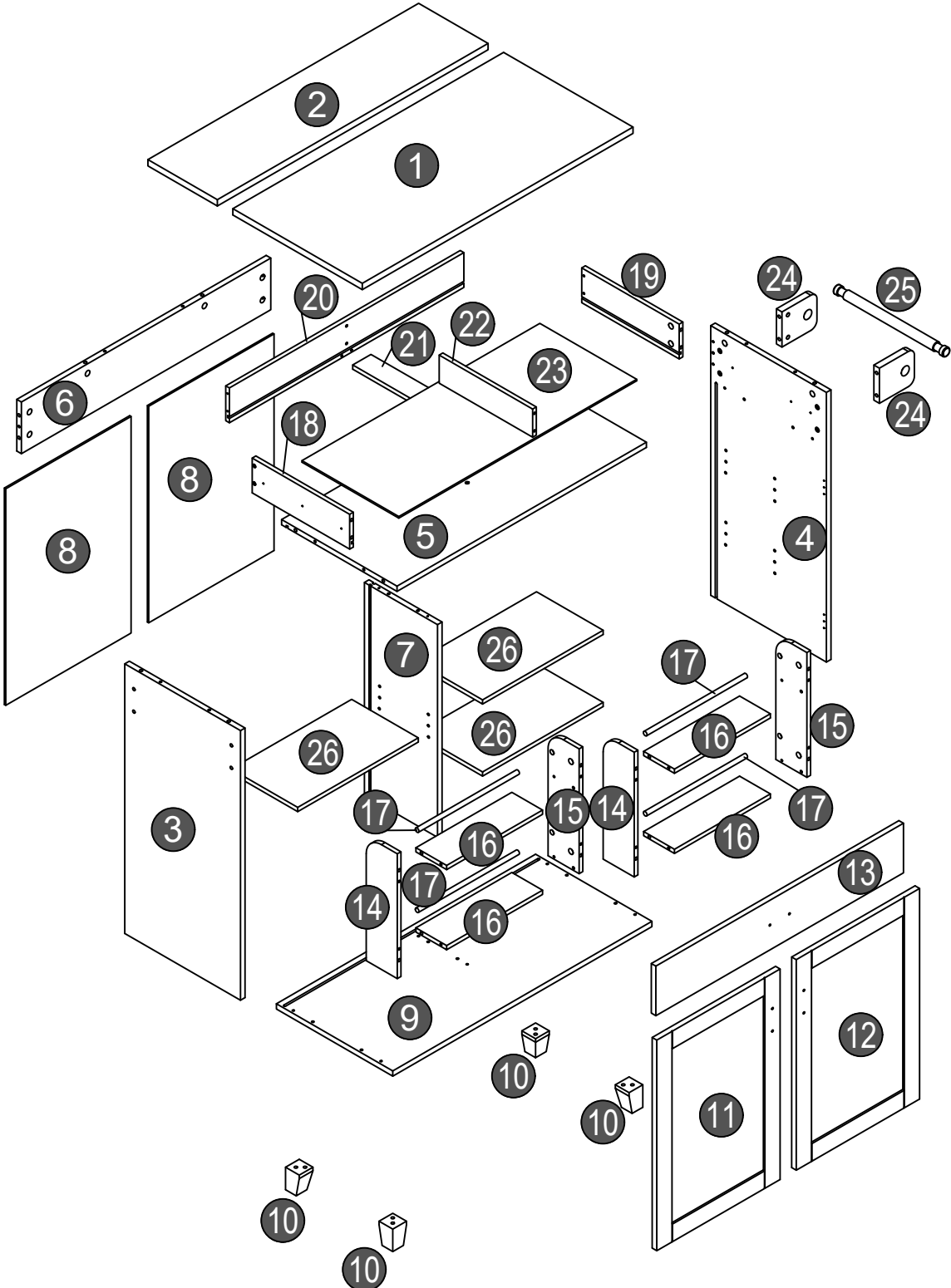
Insert the horizontal nut into the hole, rotate the horizontal threaded hole to align with the end hole of the wooden board, as shown in Figure A



Please ensure that the threaded hole of the horizontal nut is aligned with the horizontal hole at the end of the wooden board, otherwise the screw cannot be installed

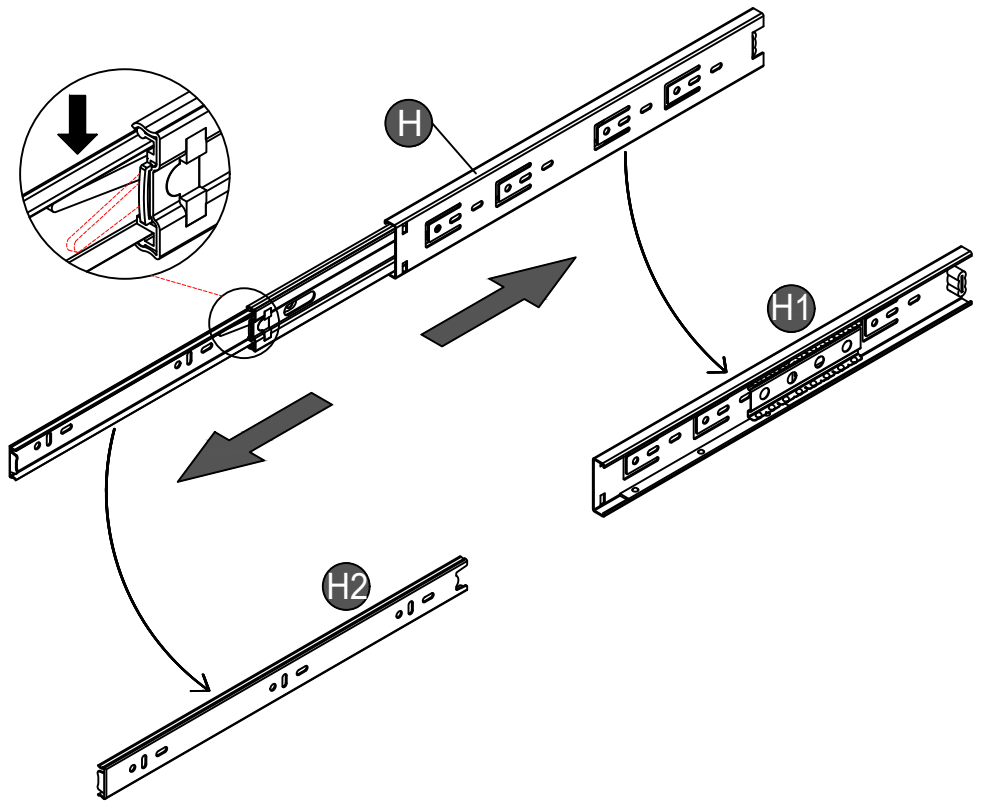


# Assembly Instructions

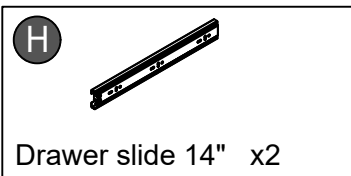


# Assembly Instructions

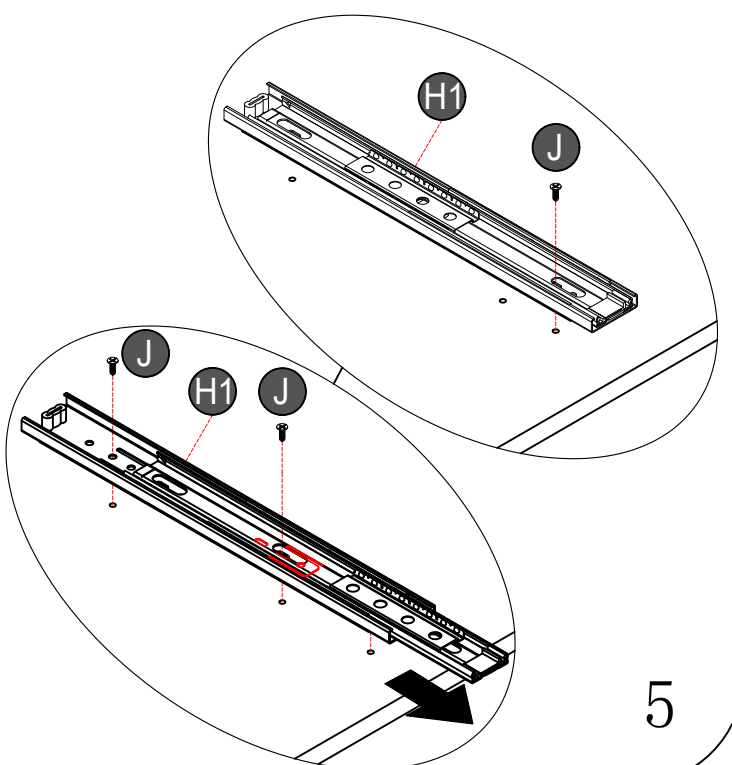
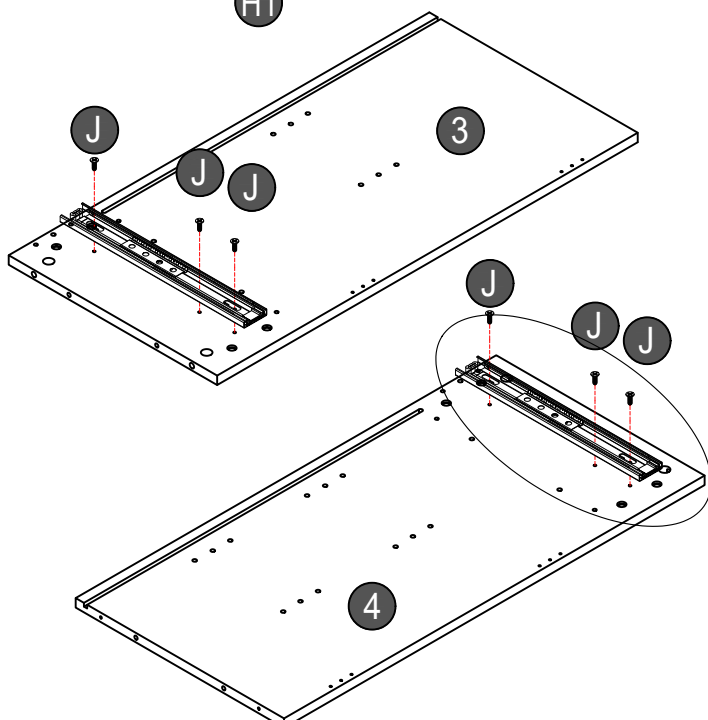
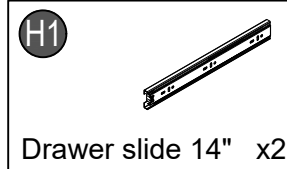
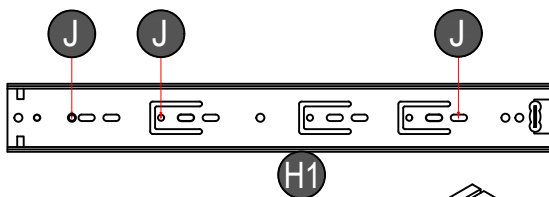
## Step 1



Split J into H1 and H2

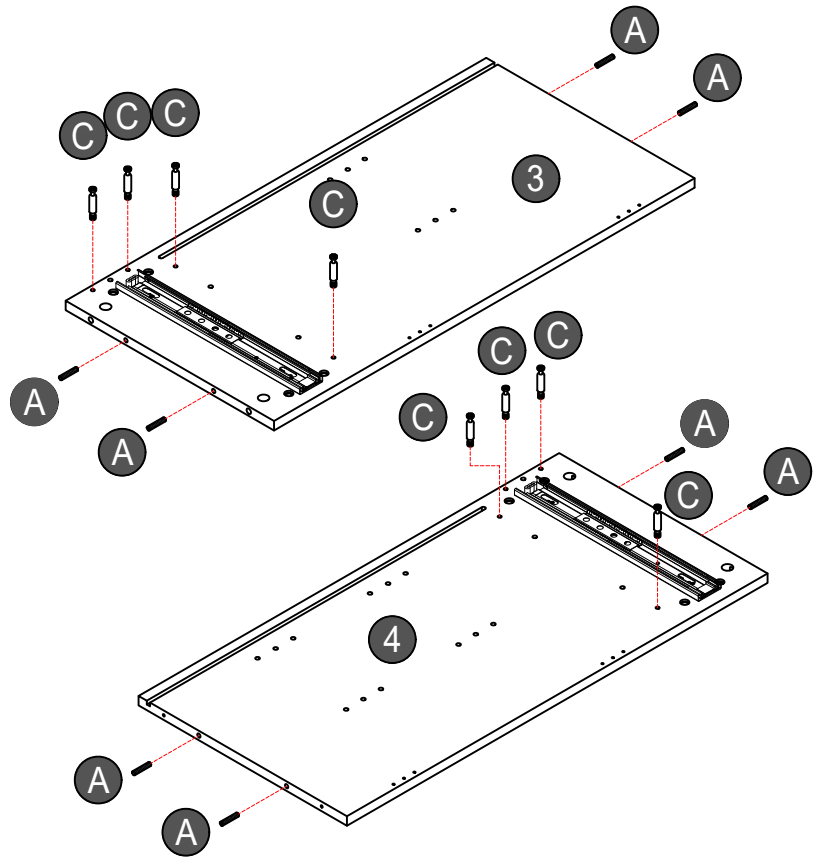
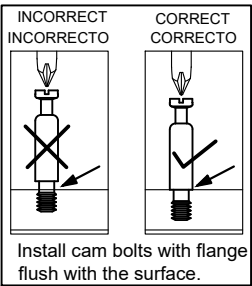
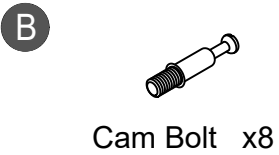
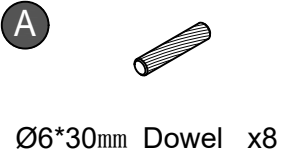


## Step 2

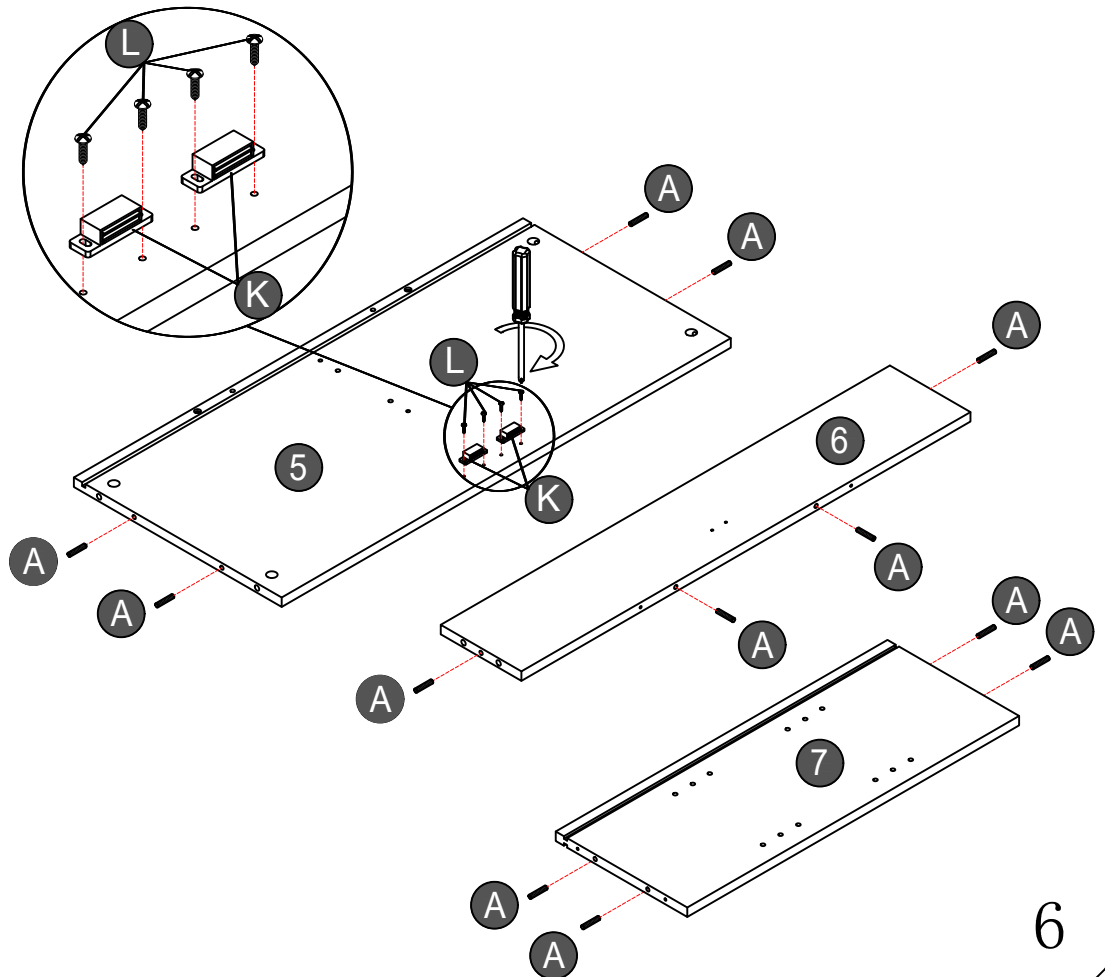
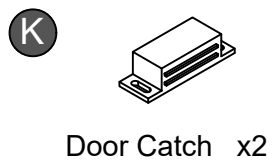
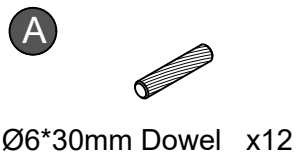


# Assembly Instructions

## Step 3

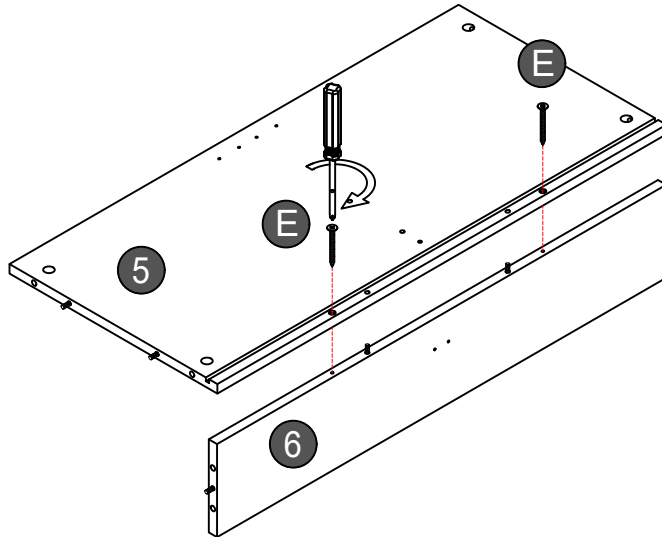
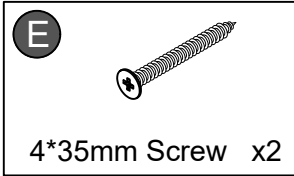


## Step 4

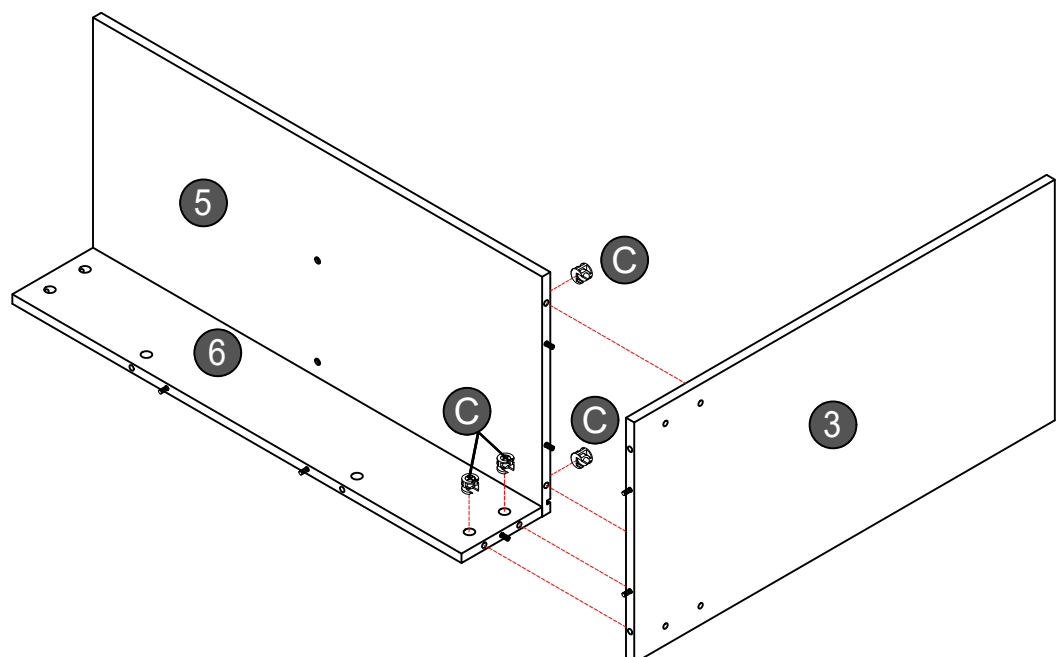
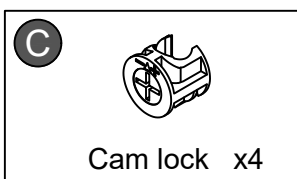


# Assembly Instructions

## Step 5



## Step 6



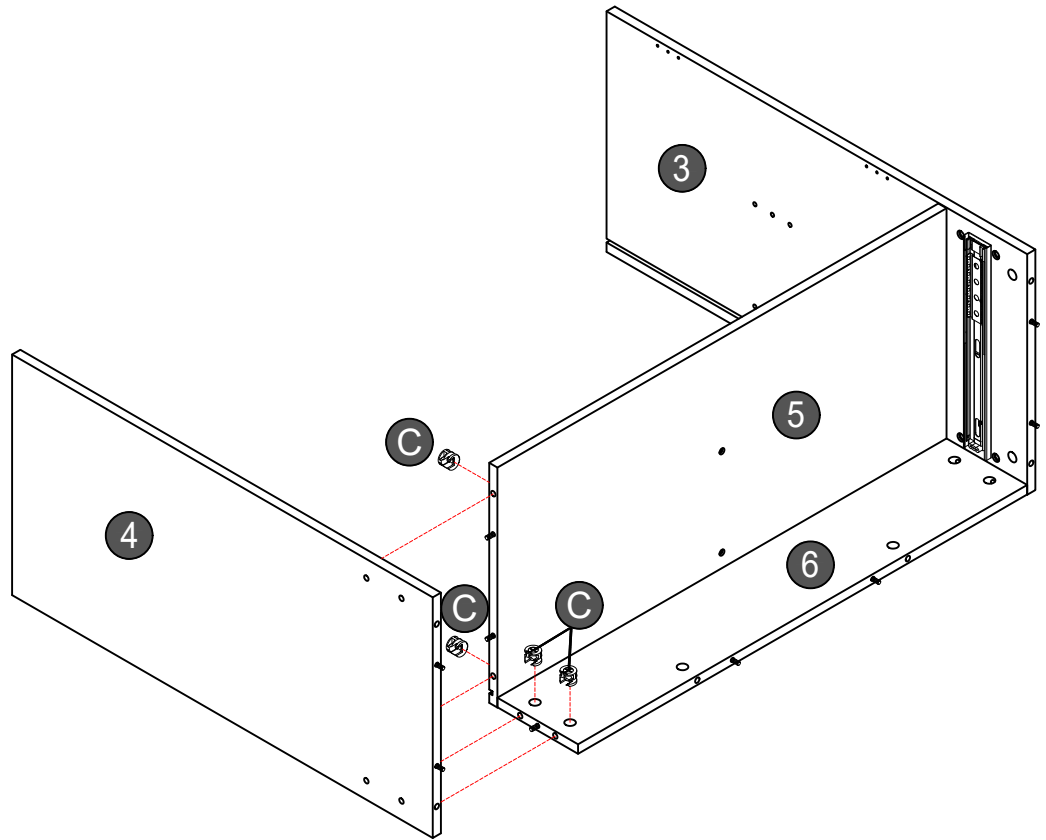
# Assembly Instructions

## Step 5

C



Cam lock x4

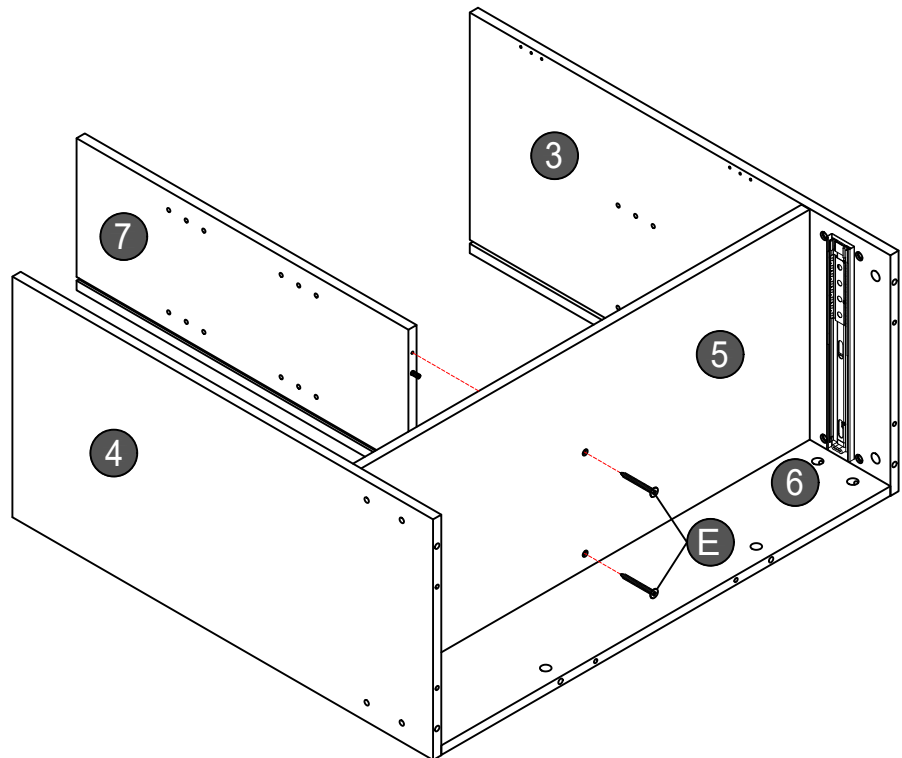


## Step 6

E

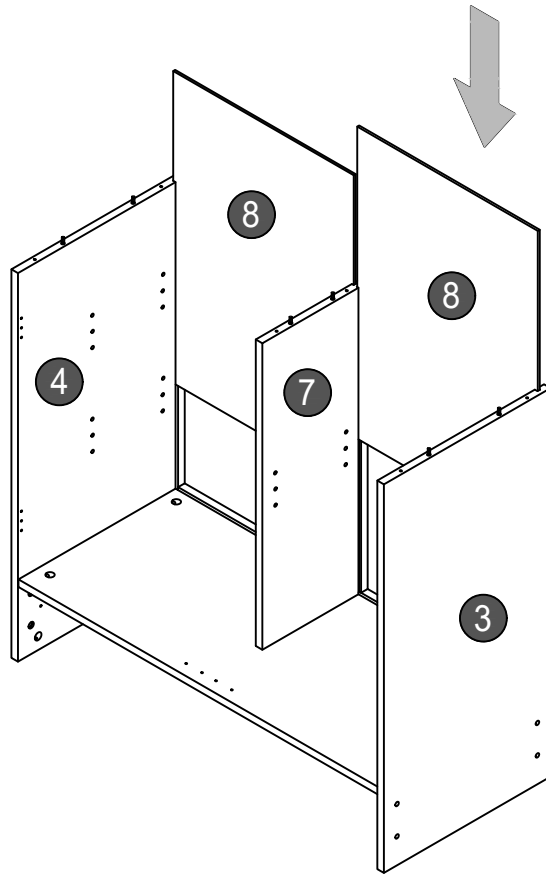


4\*35mm Screw x2

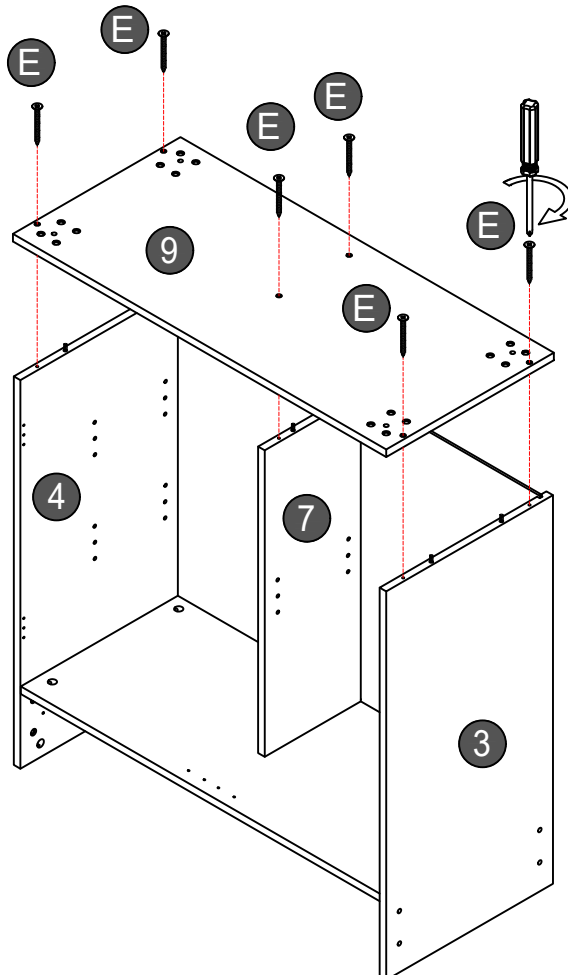
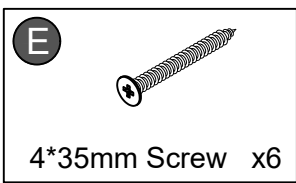


# Assembly Instructions

## Step 9

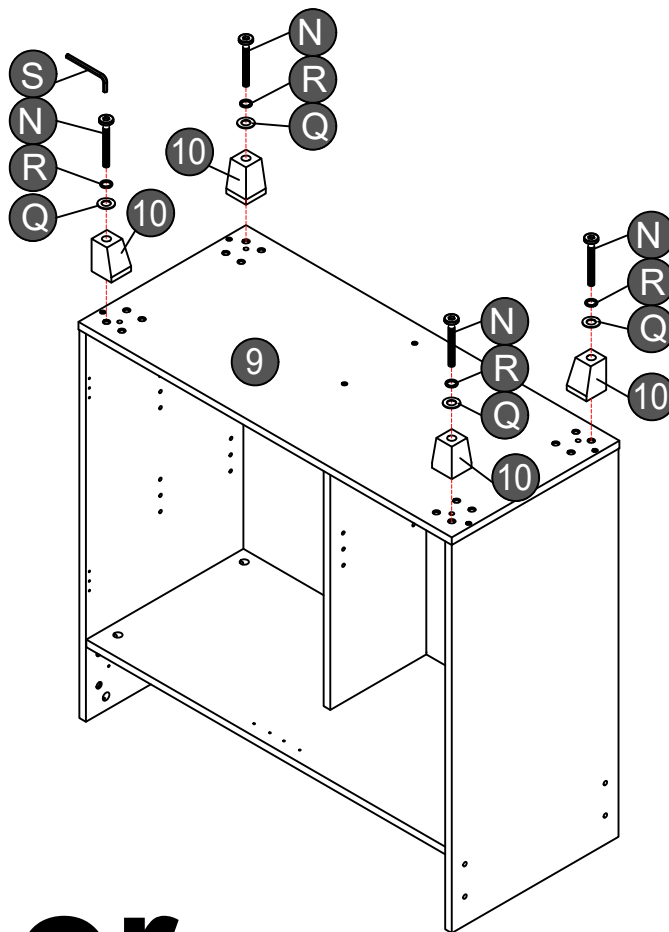
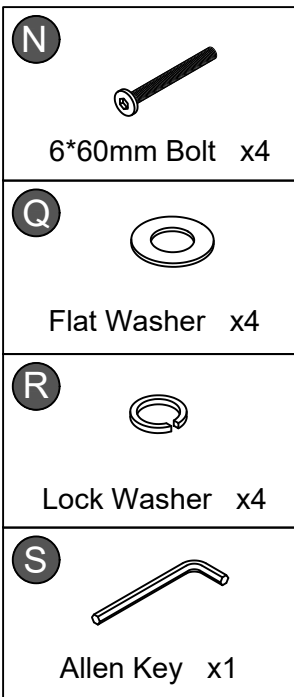


## Step 10

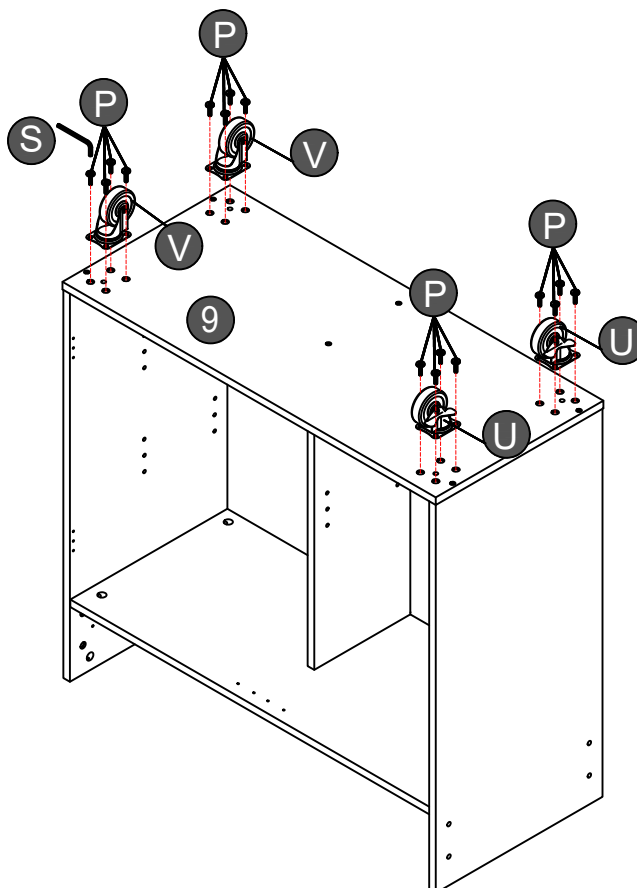
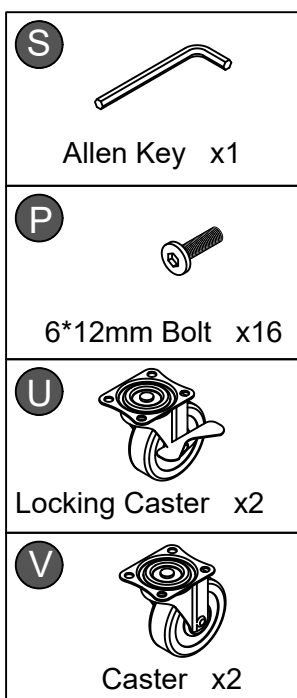


# Assembly Instructions

## Step 11







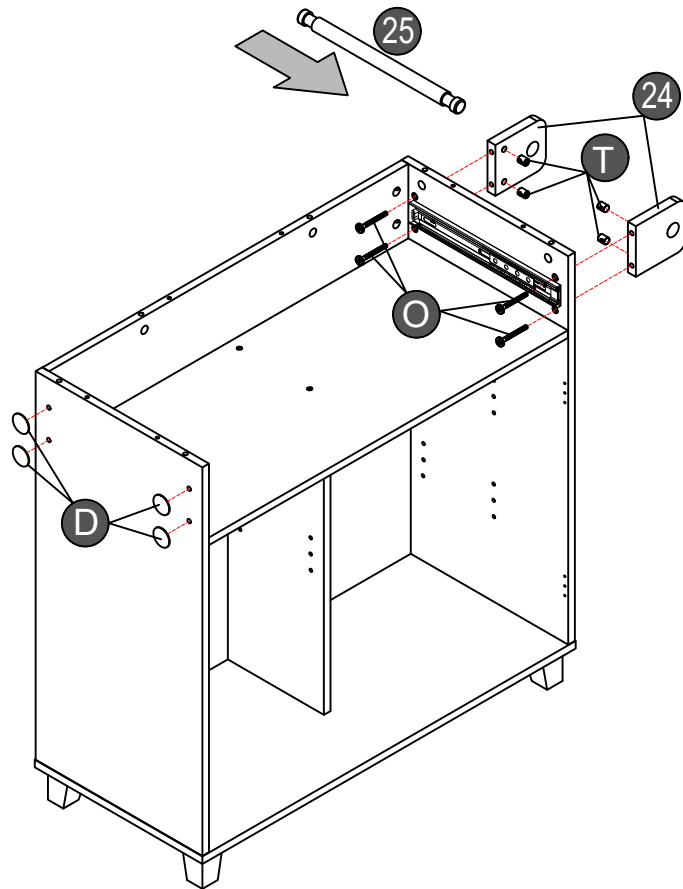
or



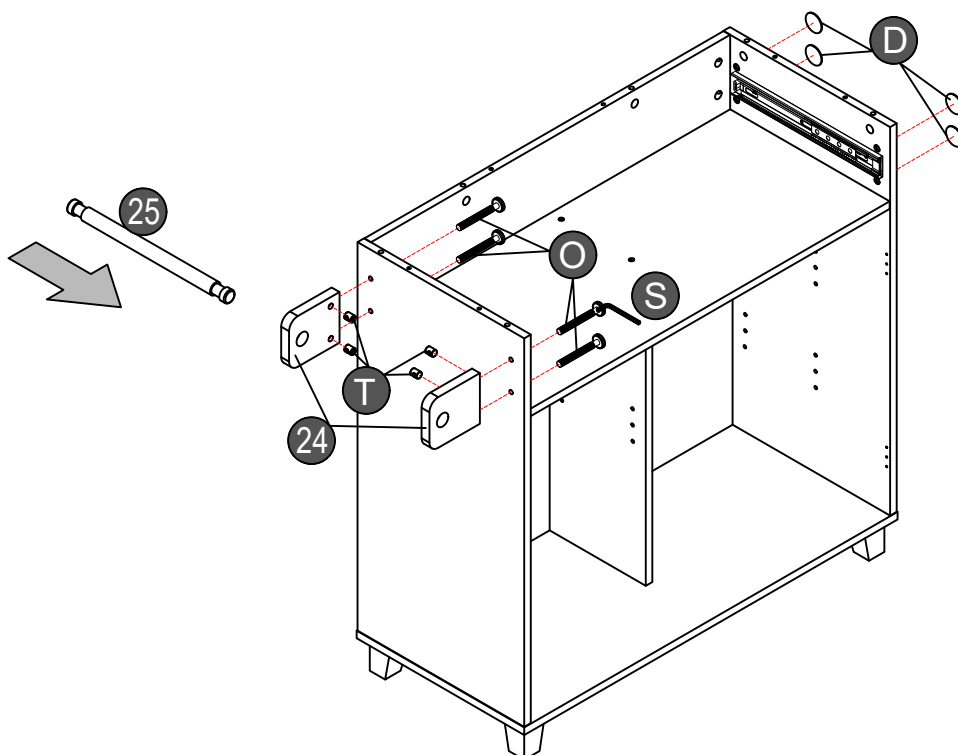
# Assembly Instructions

## Step 13

<b>S</b>	
Allen Key x1	
<b>O</b>	
6*45mm Bolt x4	
<b>T</b>	
Vertical nut x4	
<b>D</b>	
Hole to Stick x4	

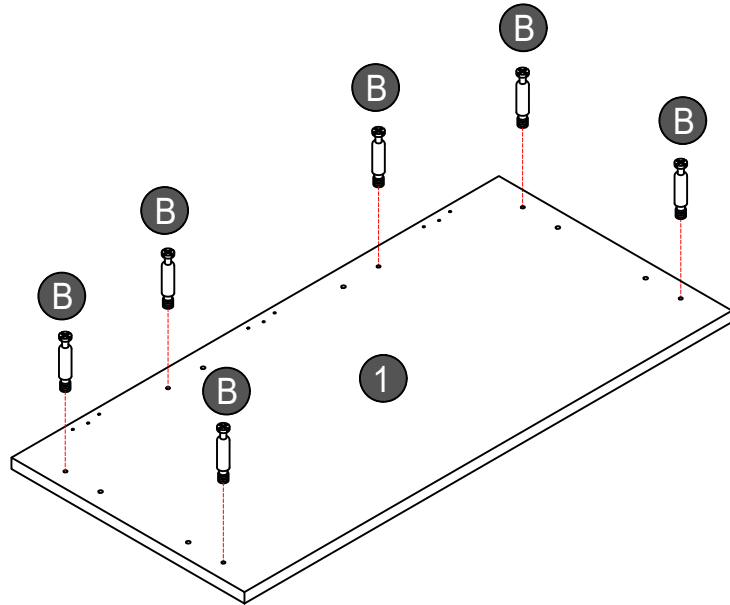
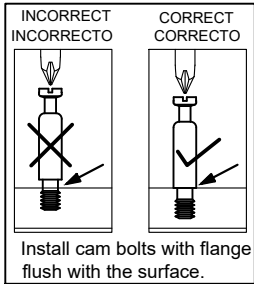
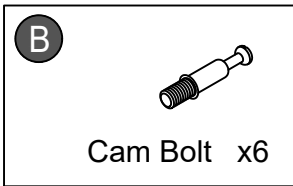


The towel rack can be installed on the left or right side as needed.

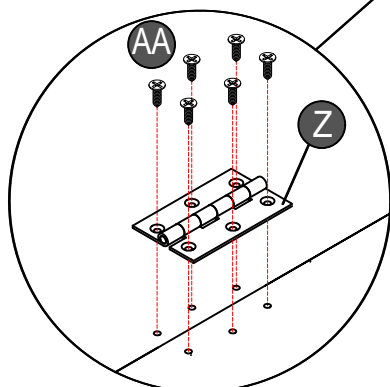
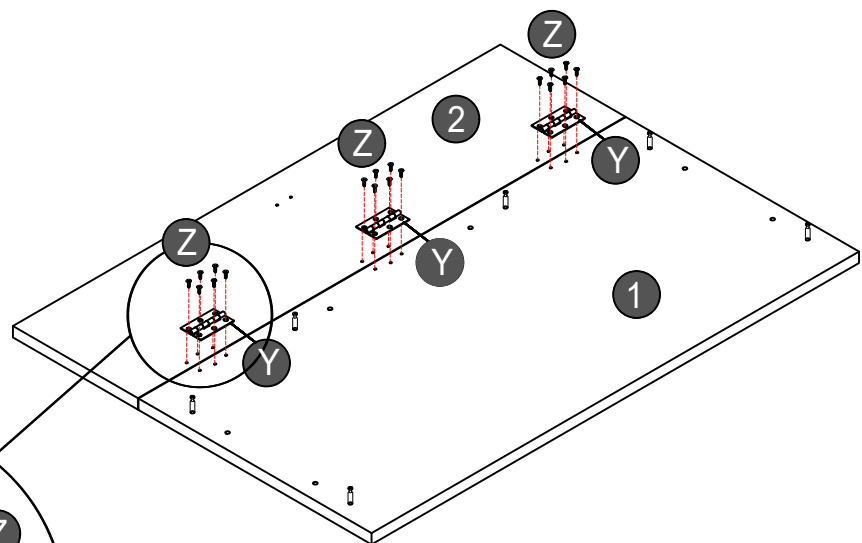
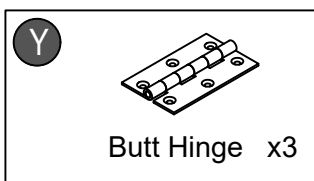


# Assembly Instructions

## Step 13

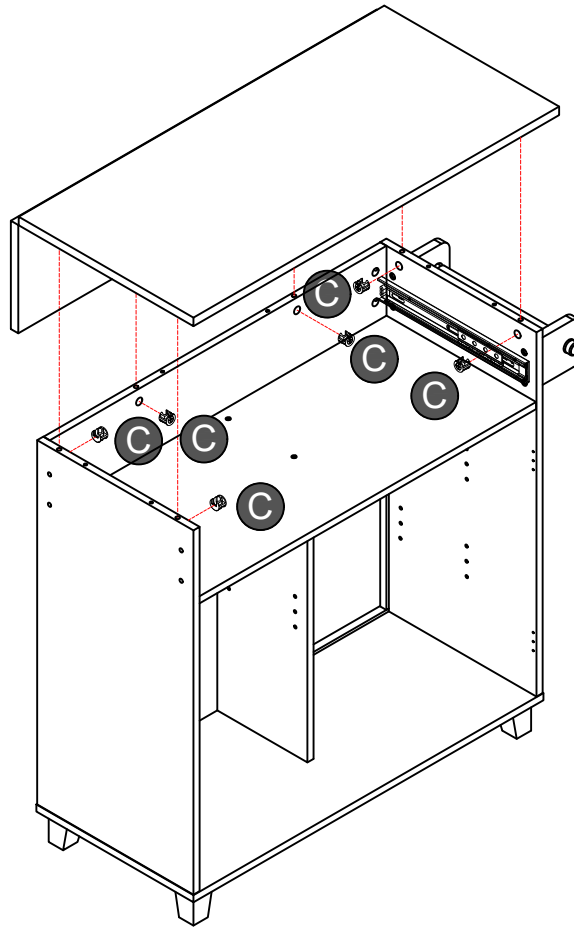
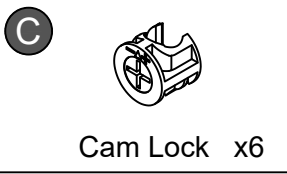


## Step 13

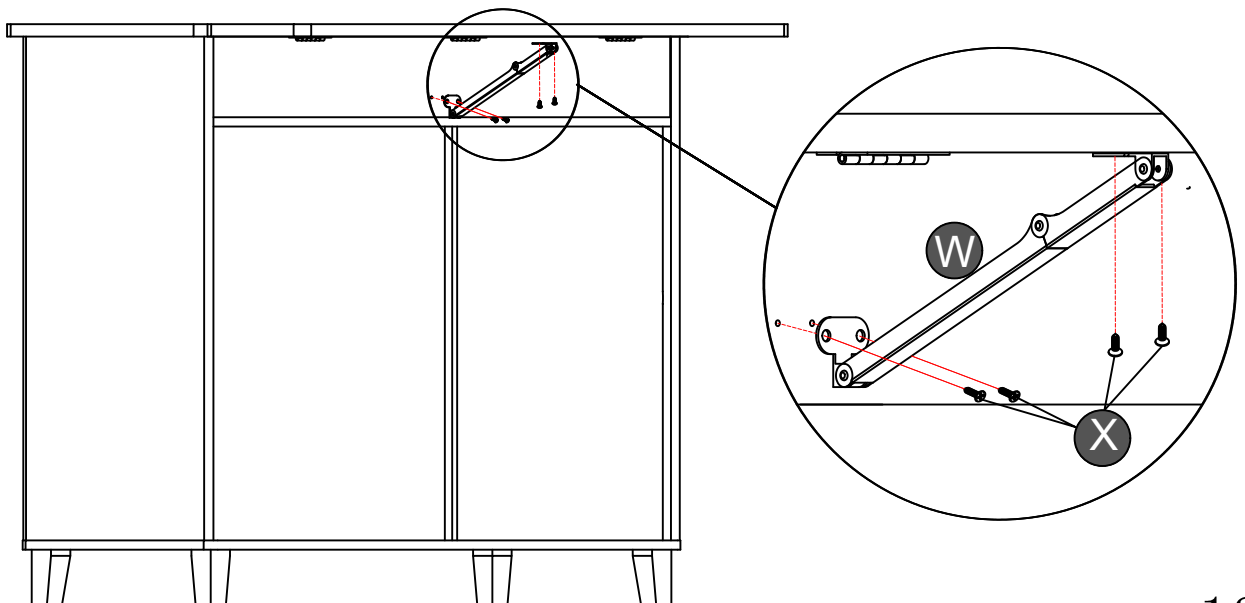
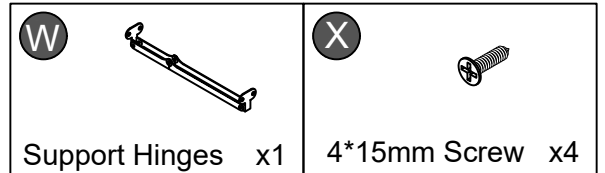


# Assembly Instructions

## Step 16



## Step 17

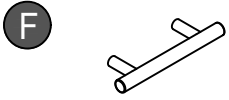


# Assembly Instructions

## Step 16



Cam Bolt x8



Handle x2



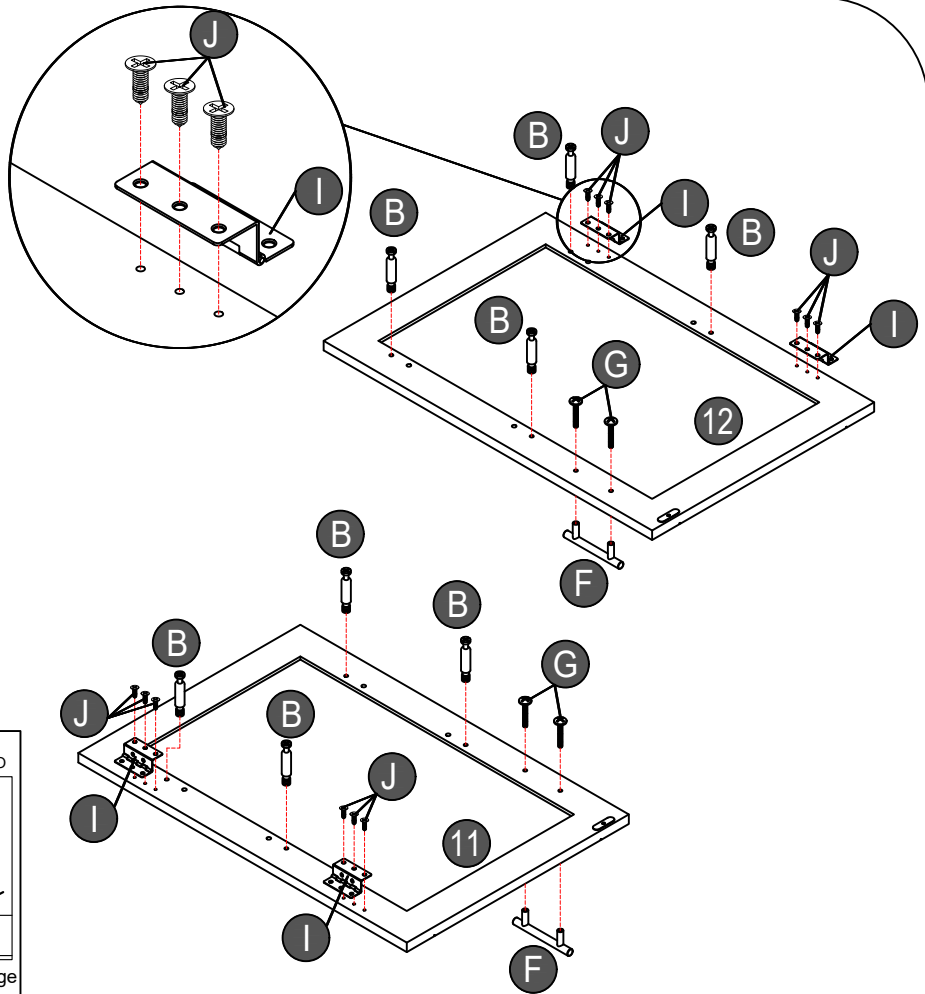
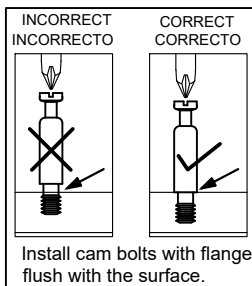
4\*25mm Bolt x4



Door Hinge x4



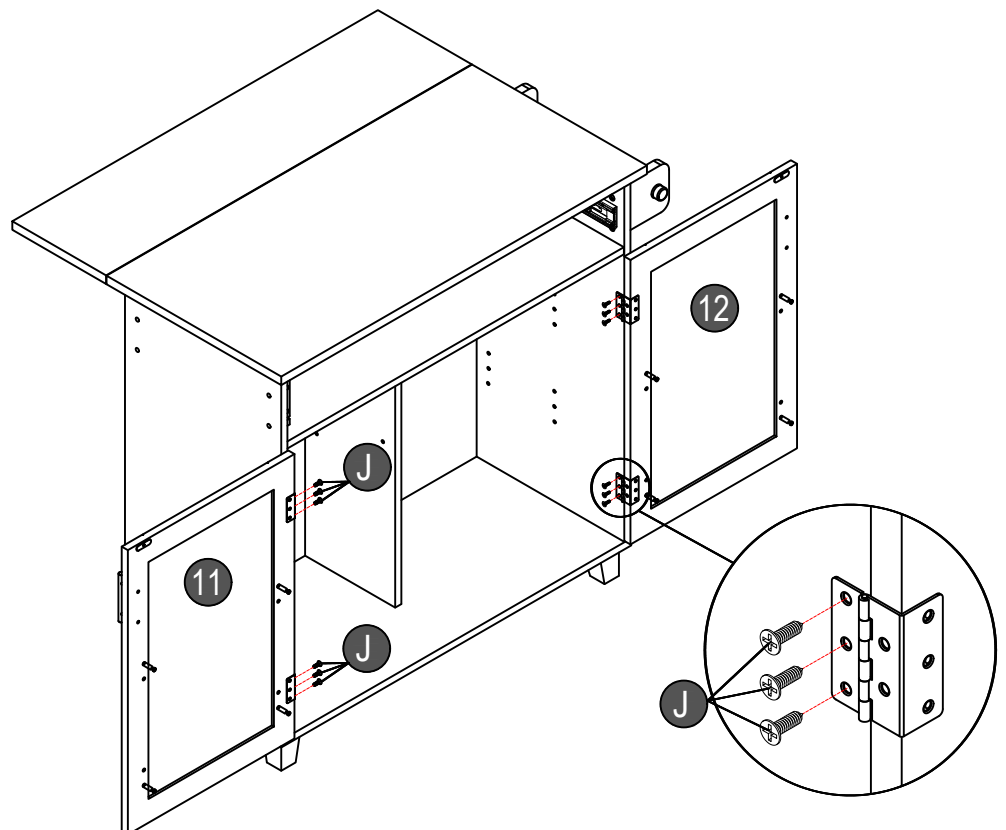
3.0\*12mm Screw x12



## Step 17



3.0\*12mm Screw x12



# Assembly Instructions

## Step 22

A

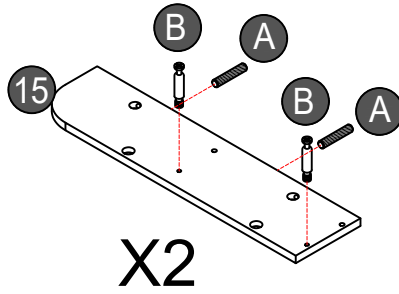


Ø6\*30mm Dowel x16

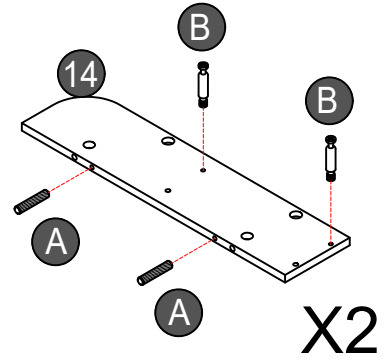
B



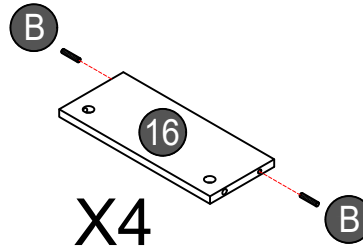
Cam Bolt x8



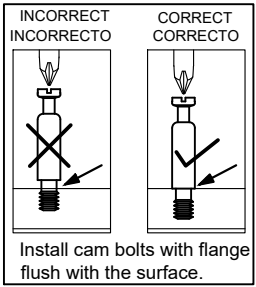
X2



X2



X4

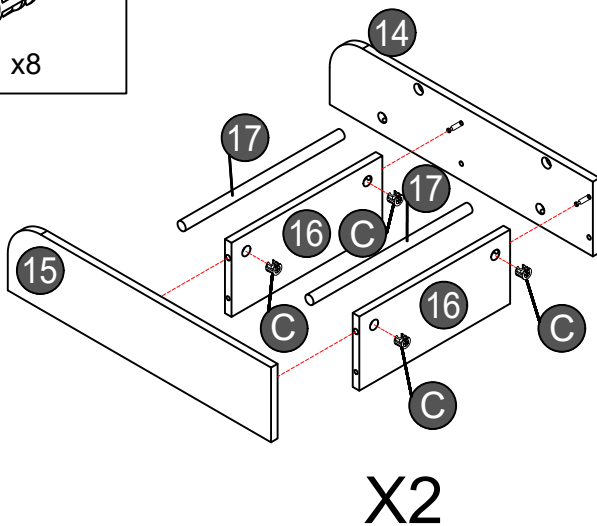


## Step 23

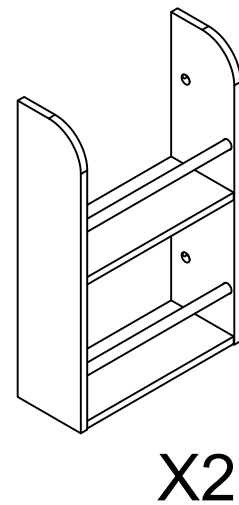
C



Cam lock x8



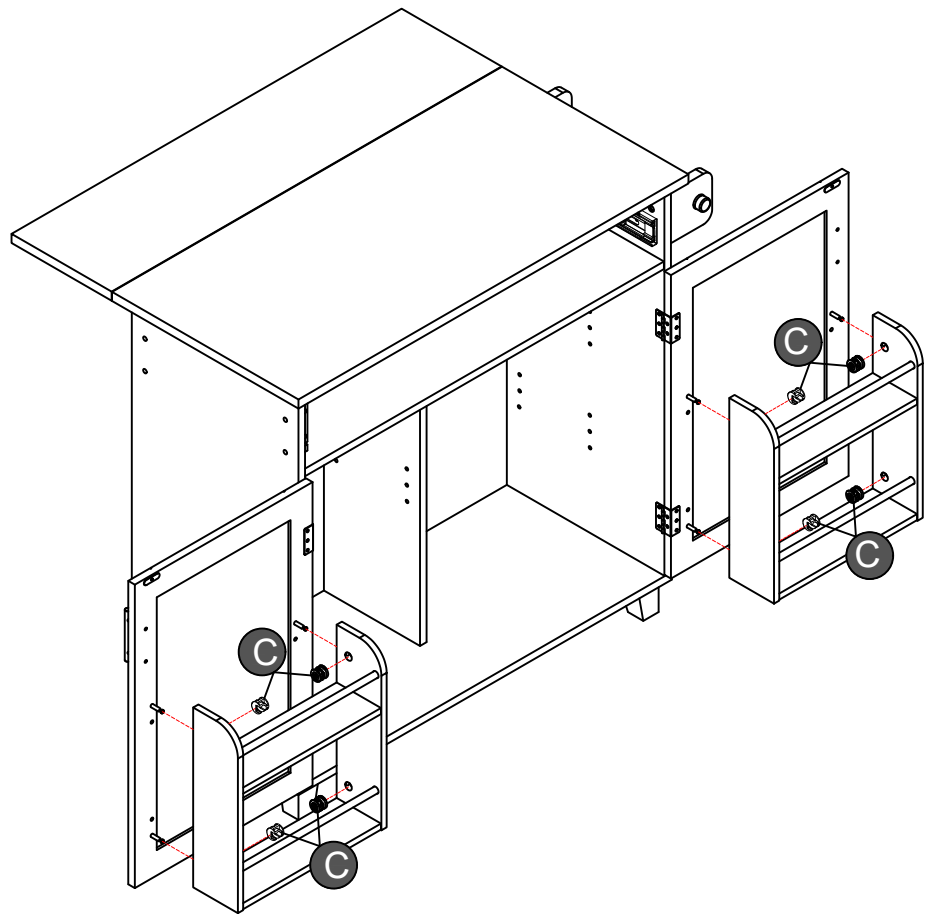
X2



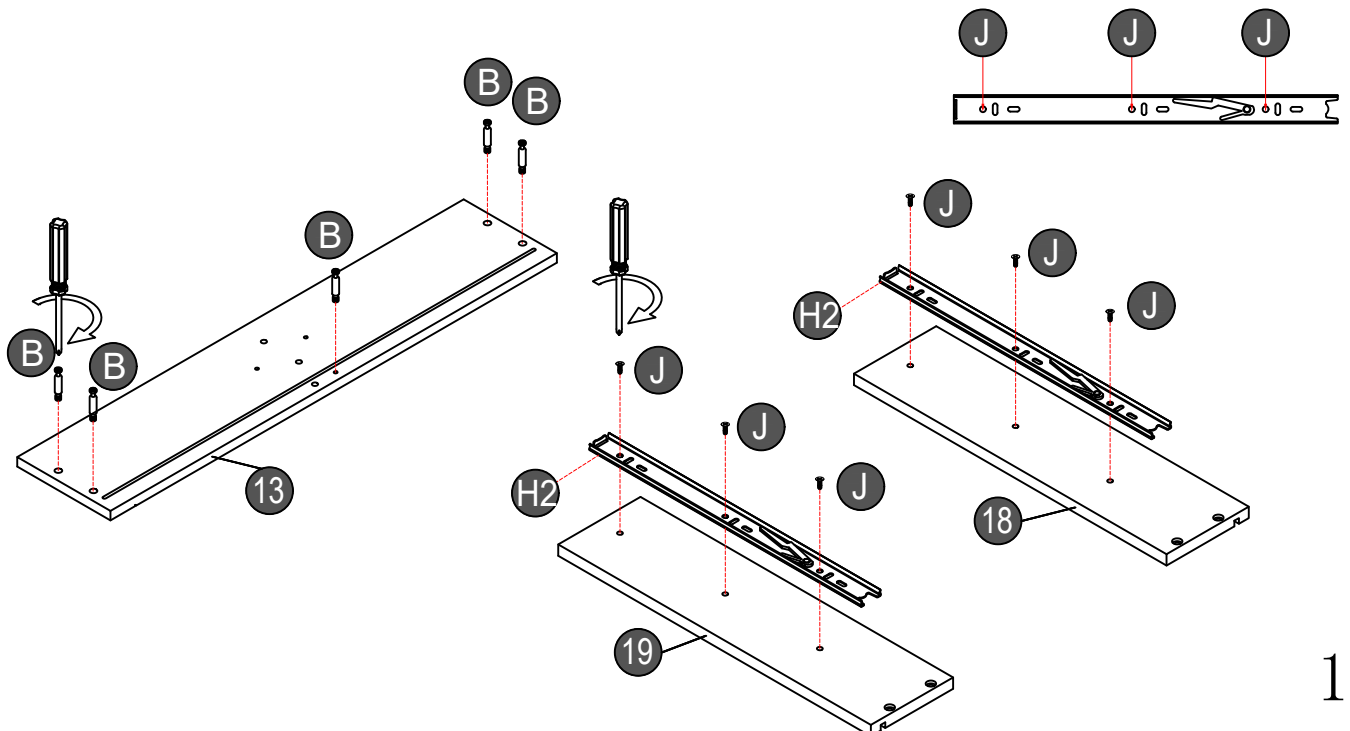
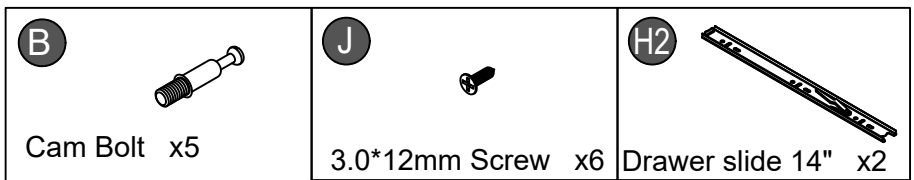
X2

# Assembly Instructions

## Step 22



## Step 23



# Assembly Instructions

## Step 24

A

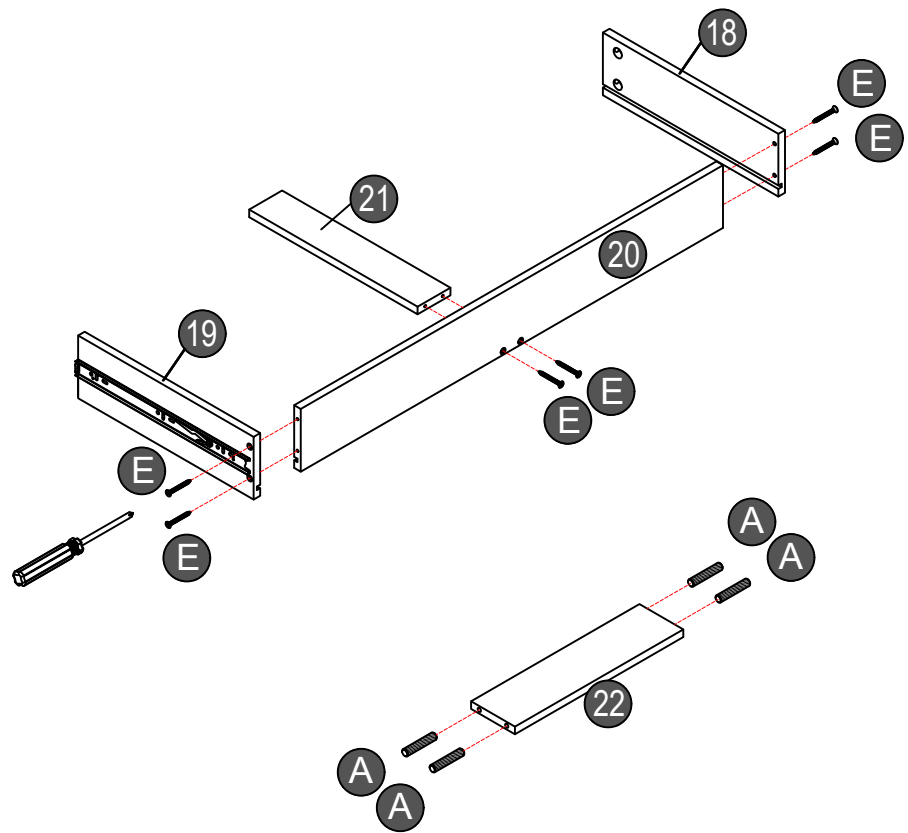


Ø6\*30mm Dowel x4

E



4\*35mm Screw x6



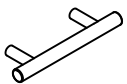
## Step 25

C



Cam lock x5

F

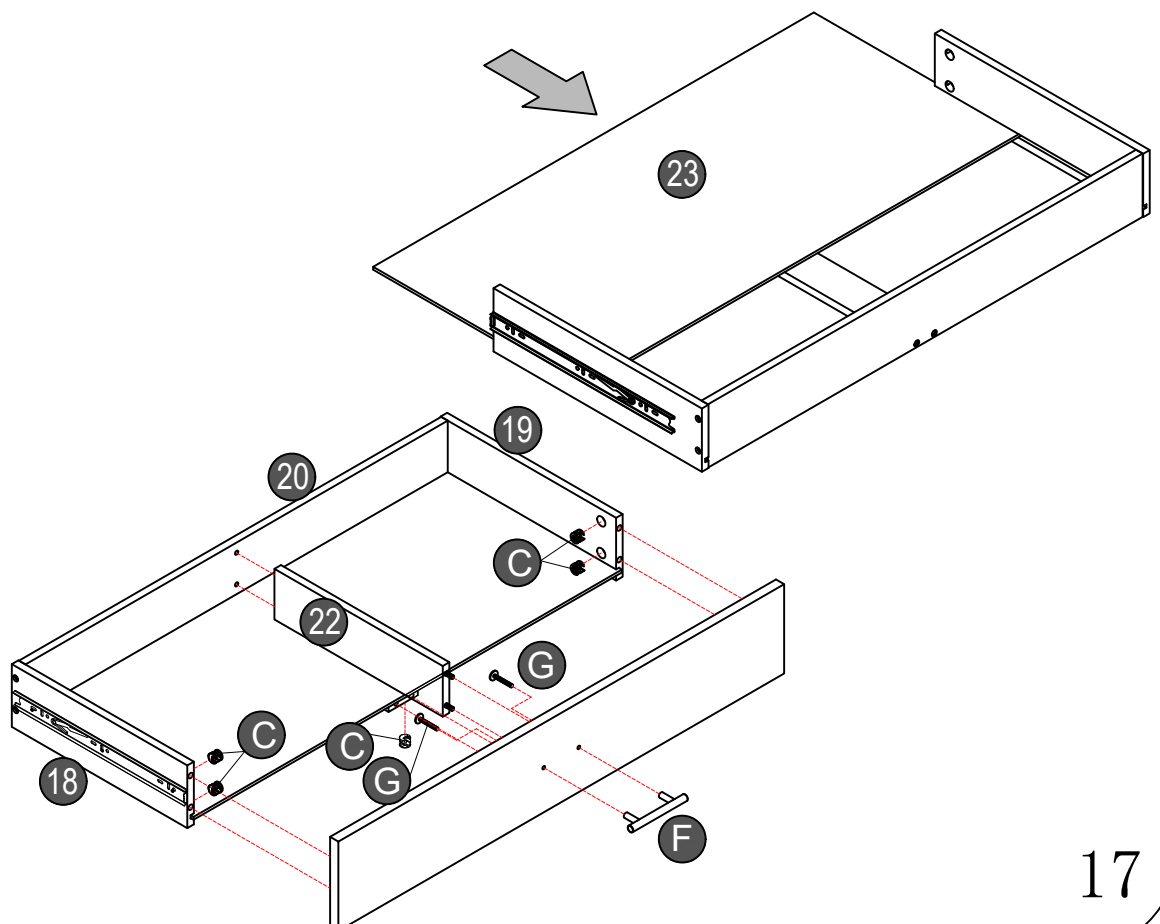


Handle x1

G

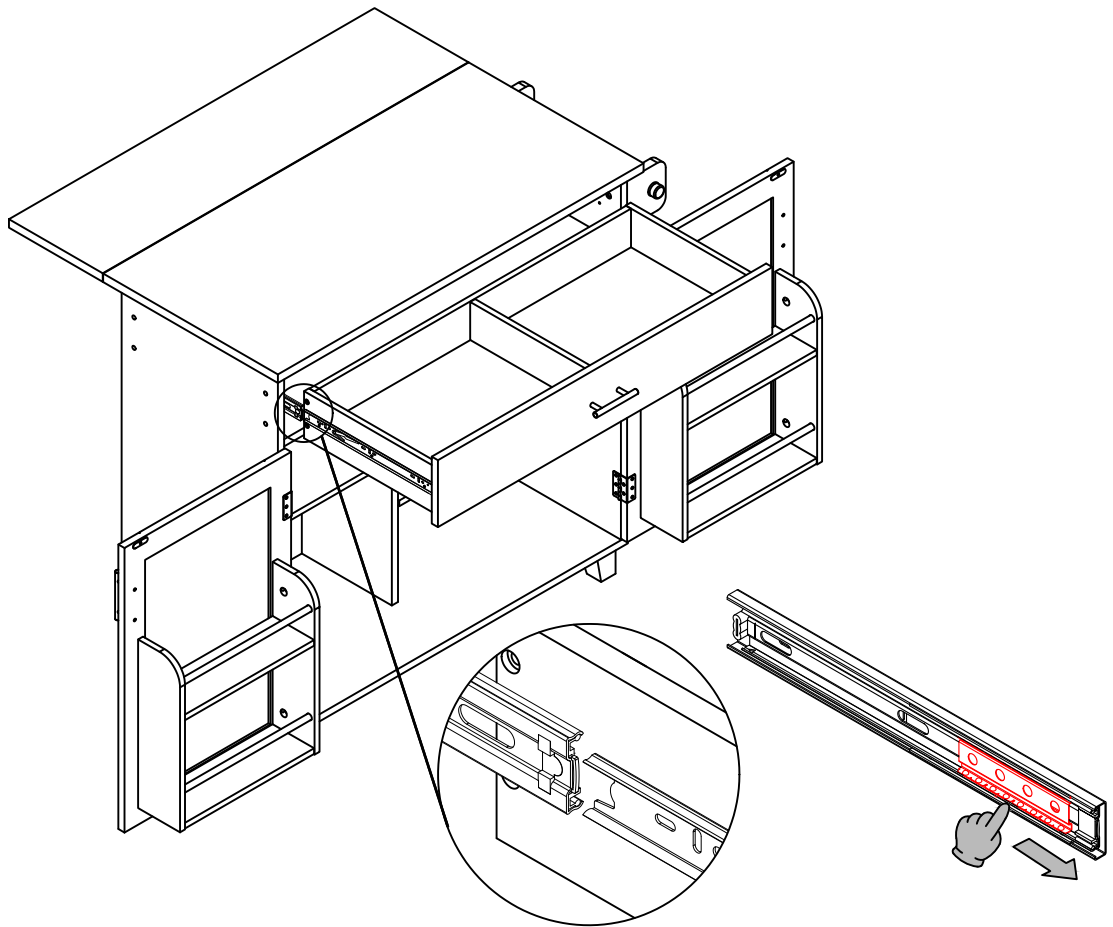


4\*25mm Bolt x2



# Assembly Instructions

## Step 26

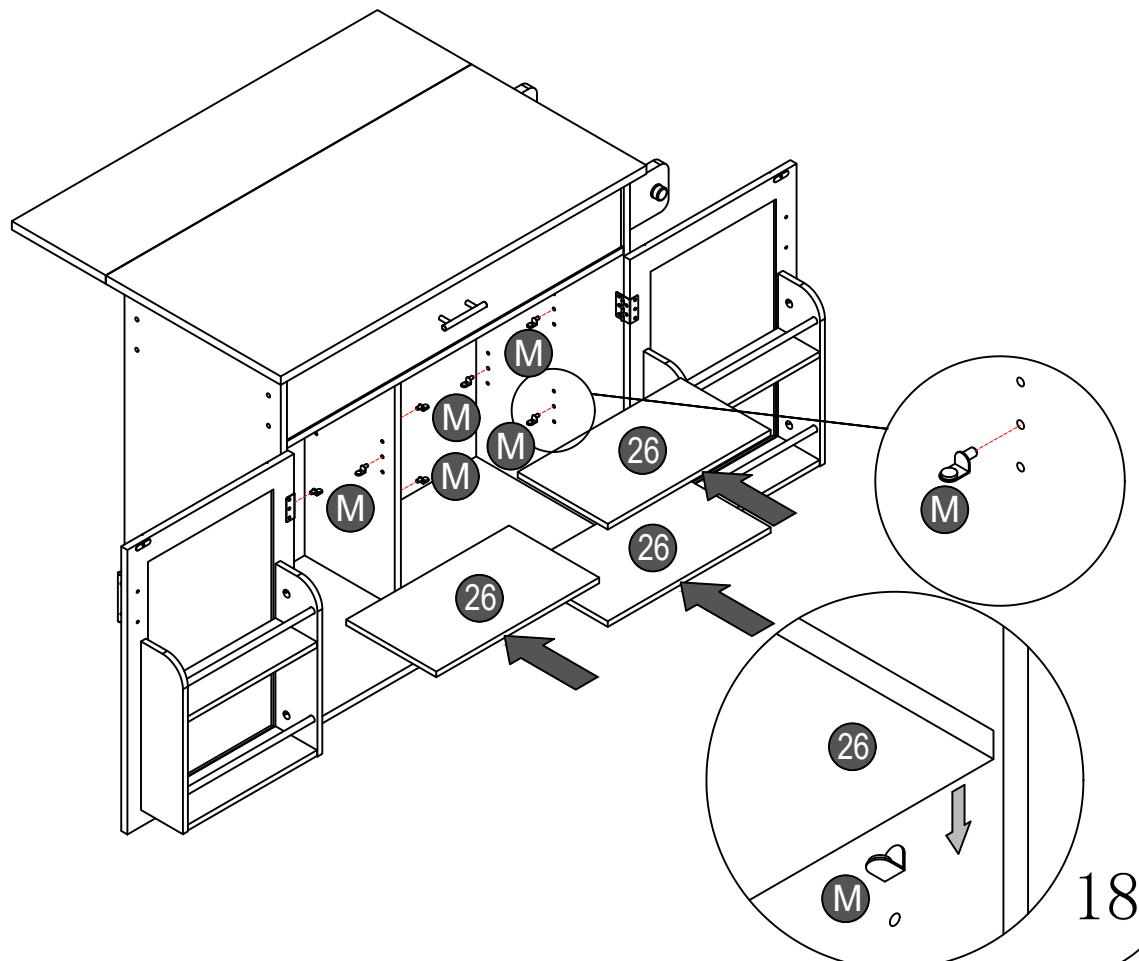


## Step 27

M



Shelf Support Pin x12



# Assembly Instructions

## Step 28

