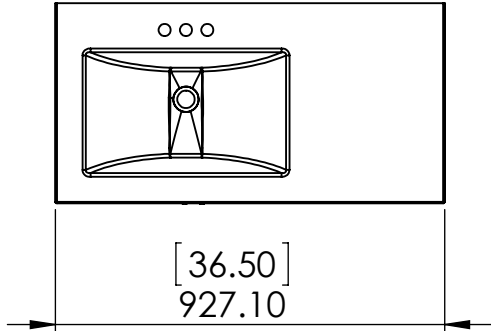
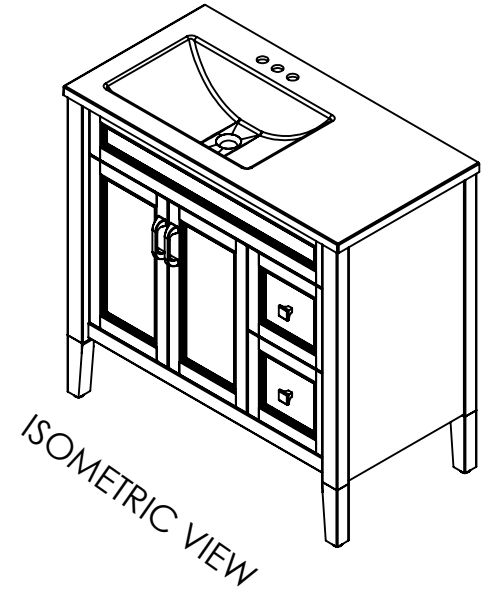


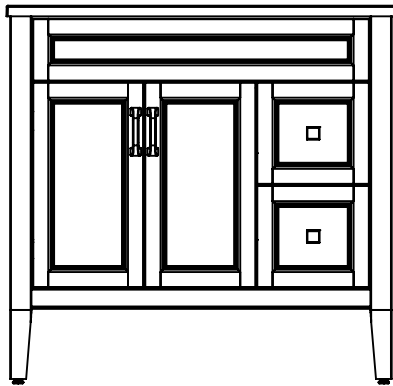
ONLY FOR REFERENCE



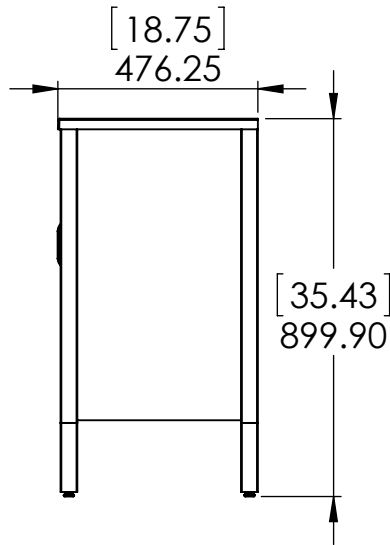
TOP VIEW



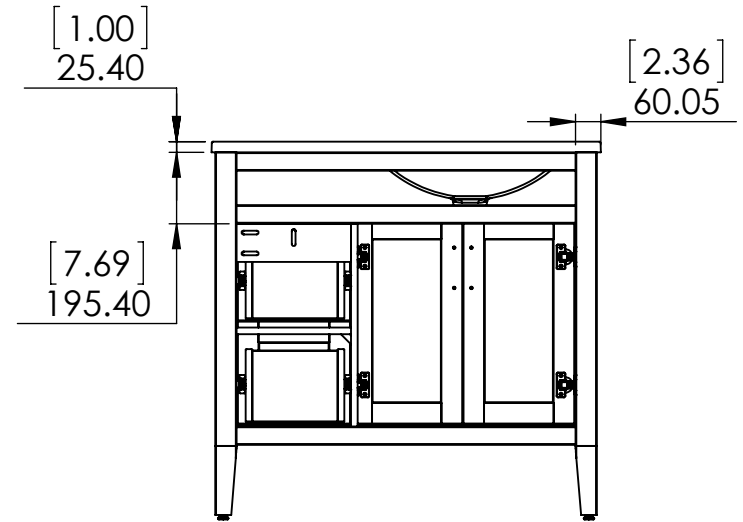
ISOMETRIC VIEW



FRONT VIEW



SIDE VIEW

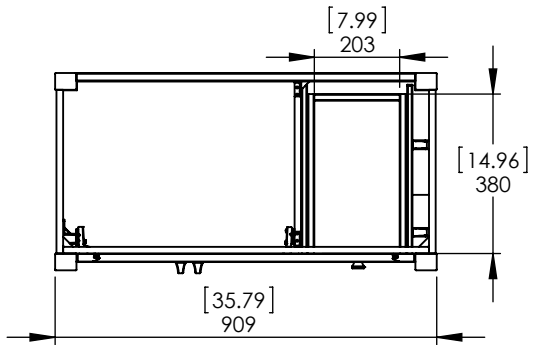


BACK VIEW

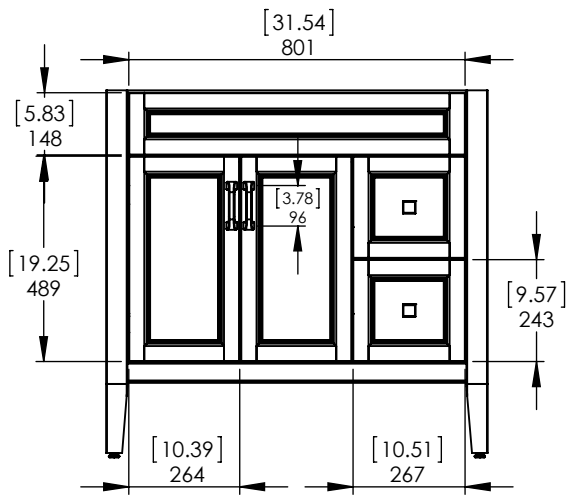
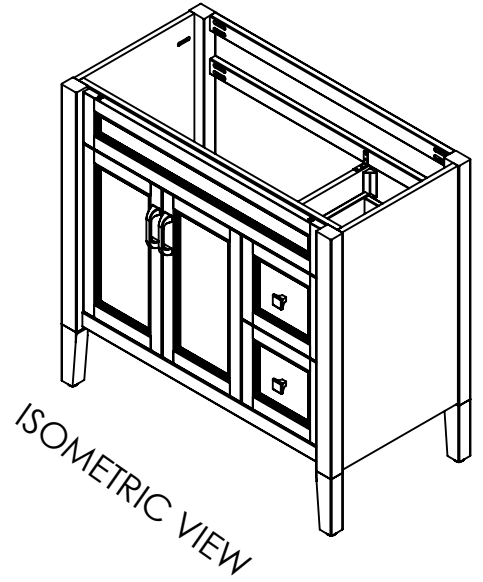
ITEM:	<b>W020236P2</b>	REV	<b>A</b>
NAME:	36in W0202 2Pc		
MATERIAL:	----		

DWR	JGR	02/21/24
REV	ING	
APR	R&D	

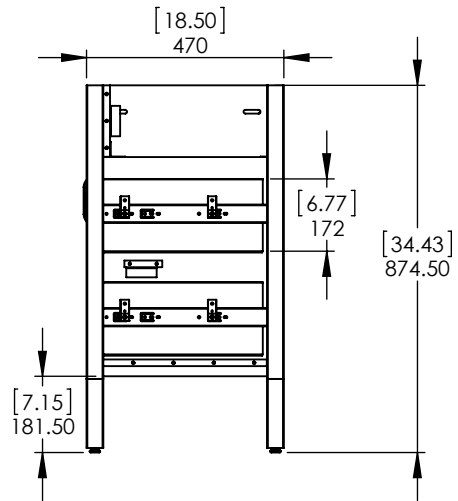
ONLY FOR REFERENCE



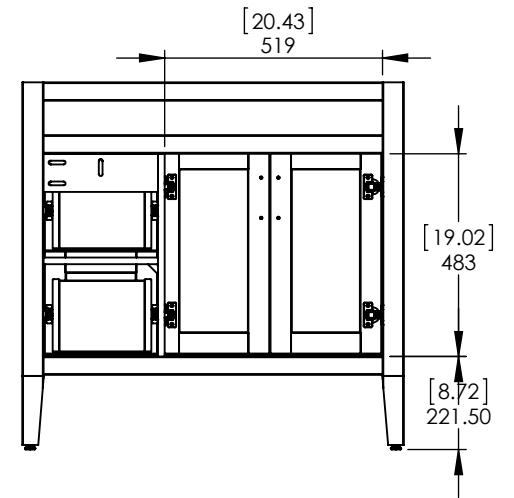
TOP VIEW



FRONT VIEW



SIDE VIEW



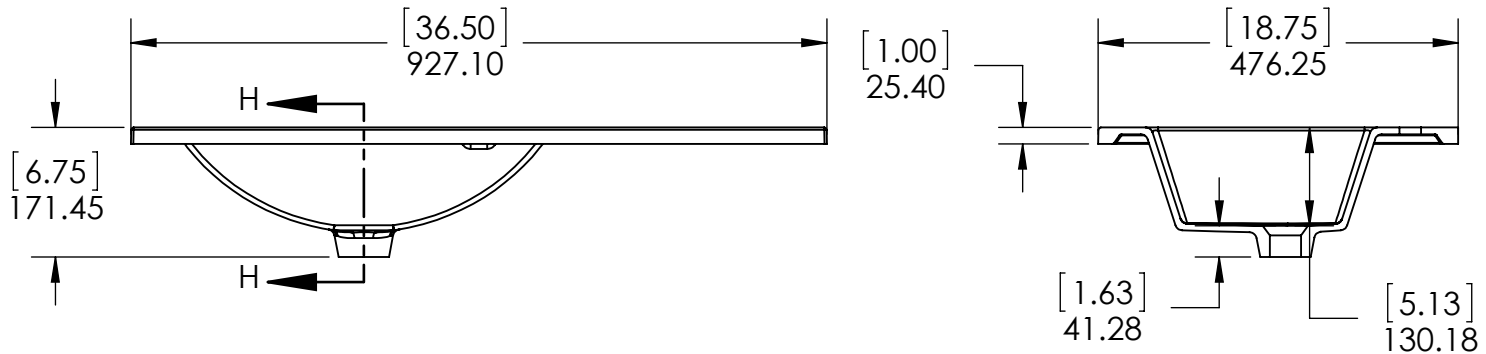
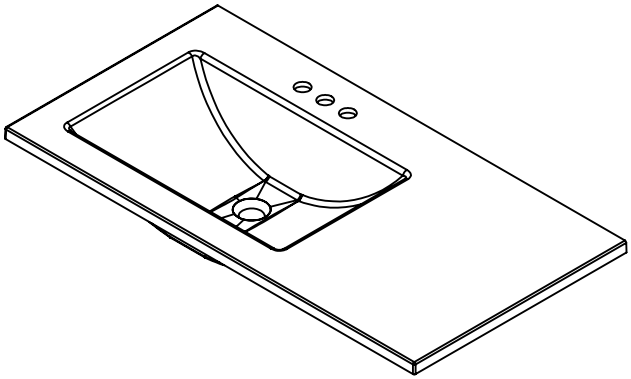
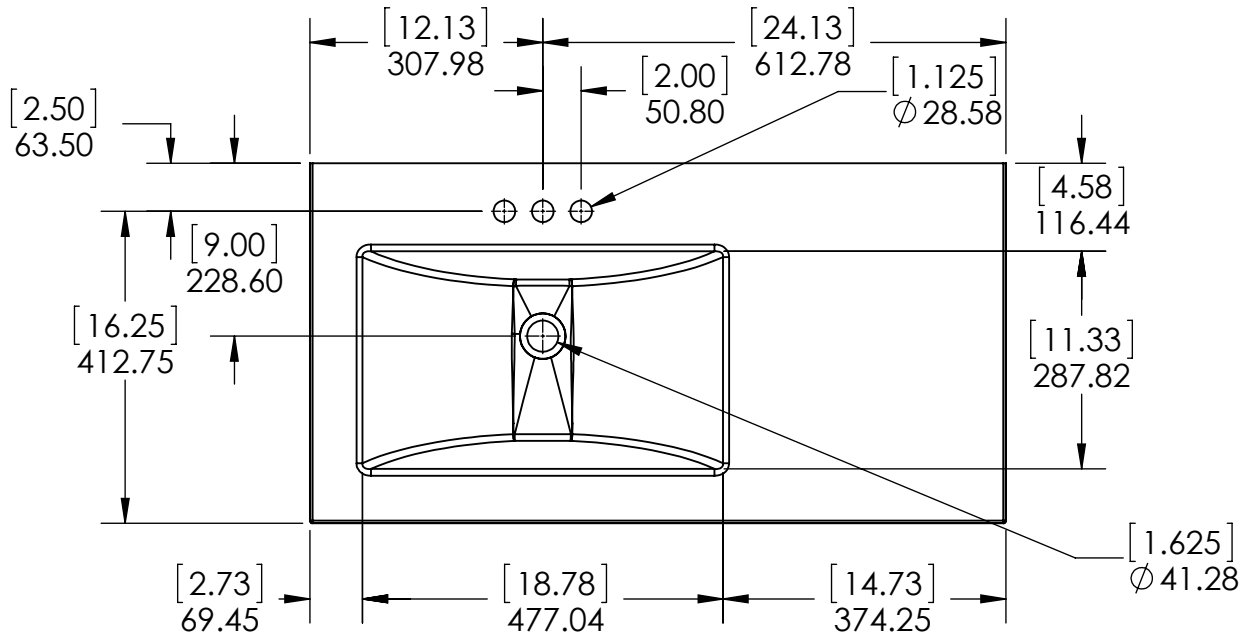
BACK VIEW

ITEM:	<b>W020236P2</b>	REV	<b>A</b>
NAME:	36in W0202 2Pc		
MATERIAL:	----		

DWR	JGR	02/21/24
REV	ING	
APR	R&D	

ID	Description	Technology	Status
595202	Top, Alpine 36.50x18.75in (New Packaging)	AB Composite	Approved for production

Rev #	Approved by	Change
0	R. Rubio	Released



**PROPRIETARY AND CONFIDENTIAL**  
 THE INFORMATION CONTAINED IN THIS DRAWING IS THE  
 SOLE PROPERTY OF WOODCRAFTERS. ANY  
 REPRODUCTION IN PART OR AS A WHOLE WITHOUT THE  
 WRITTEN PERMISSION OF WOODCRAFTERS IS PROHIBITED.

UNLESS OTHERWISE SPECIFIED  
 DIMENSIONS ARE IN MM.  
 AND (INCHES)  
 TOLERANCES ARE  
 +0.125 [3.175] -0.125 [-3.175]  
 SCALE:1:10

	NAME	DATE
DRAWN	J. Martinez	07/15/16
CHECKED	E. Sandoval	07/15/16
ENG APPR.	R. Rubio	07/15/16
MFG APPR.	C. Leal	07/15/16

**Wood Crafters**

SIZE DWG. NO. SHEET 1 OF 1  
**A** Top, Alpine 36.25x18.75in (New Packaging) REV: 0