

STEP 13

D UPPER TOP PANEL 1 PC

F SHELF PANEL 1 PC

6 LONG POLE 1 PC

7 SHORT POLE 1 PC

UNFINISHED SURFACE

STEP 15

ASSEMBLED UNIT

ASSEMBLED UNIT

TURN 180°

TOOL REQUIRED

STEP 14

ASSEMBLED UNIT

E BOTTOM PANEL 1 PC

9 LEG 1 PC

UNFINISHED SURFACE

STEP 16

ASSEMBLED UNIT

1 LONG SCREW 4 PCS

TOOL REQUIRED

Assembly Instruction

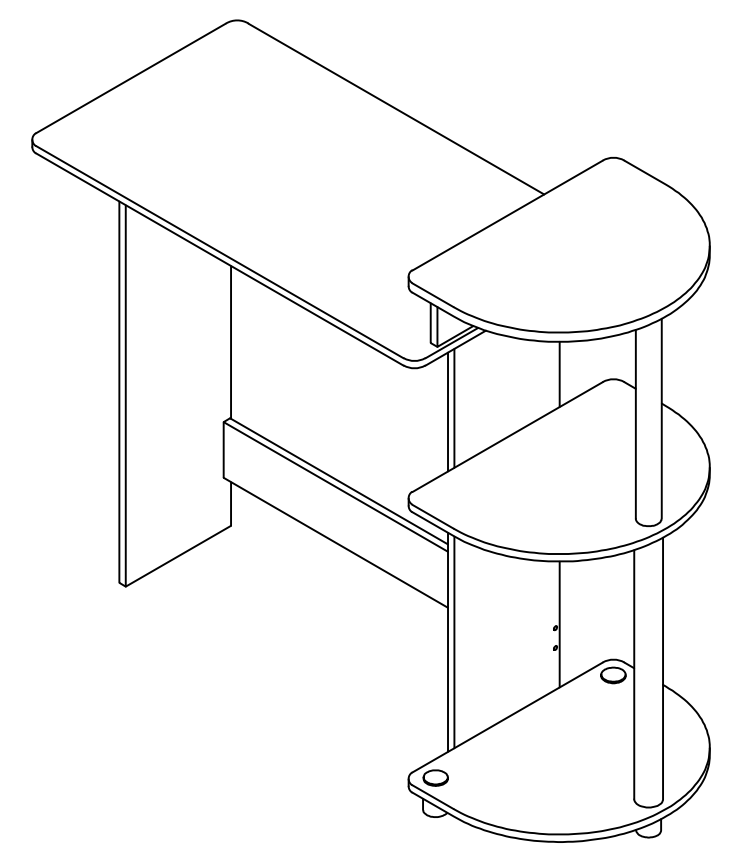
Compact Computer Desk

00:30

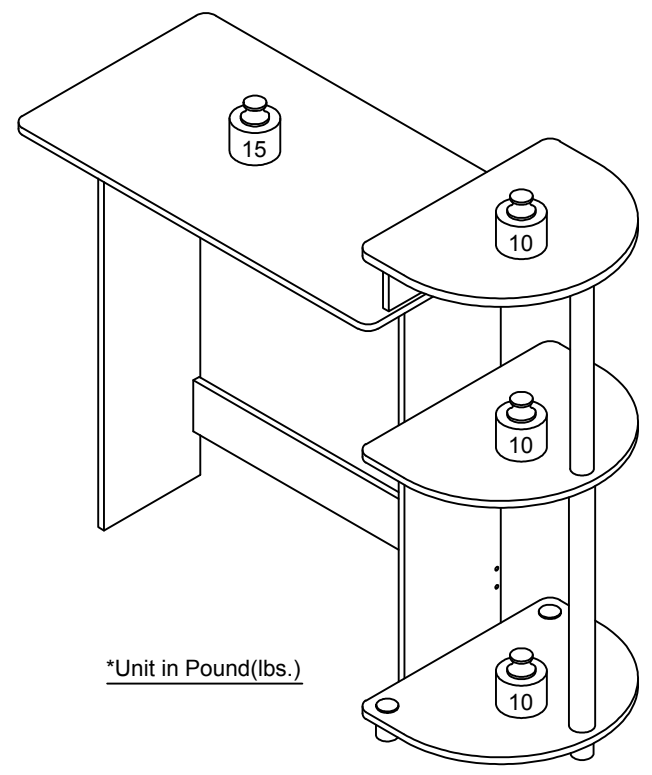
Approx. 30 minutes

Recomm. 1 Person

Tool Required



Recommended Maximum Weight

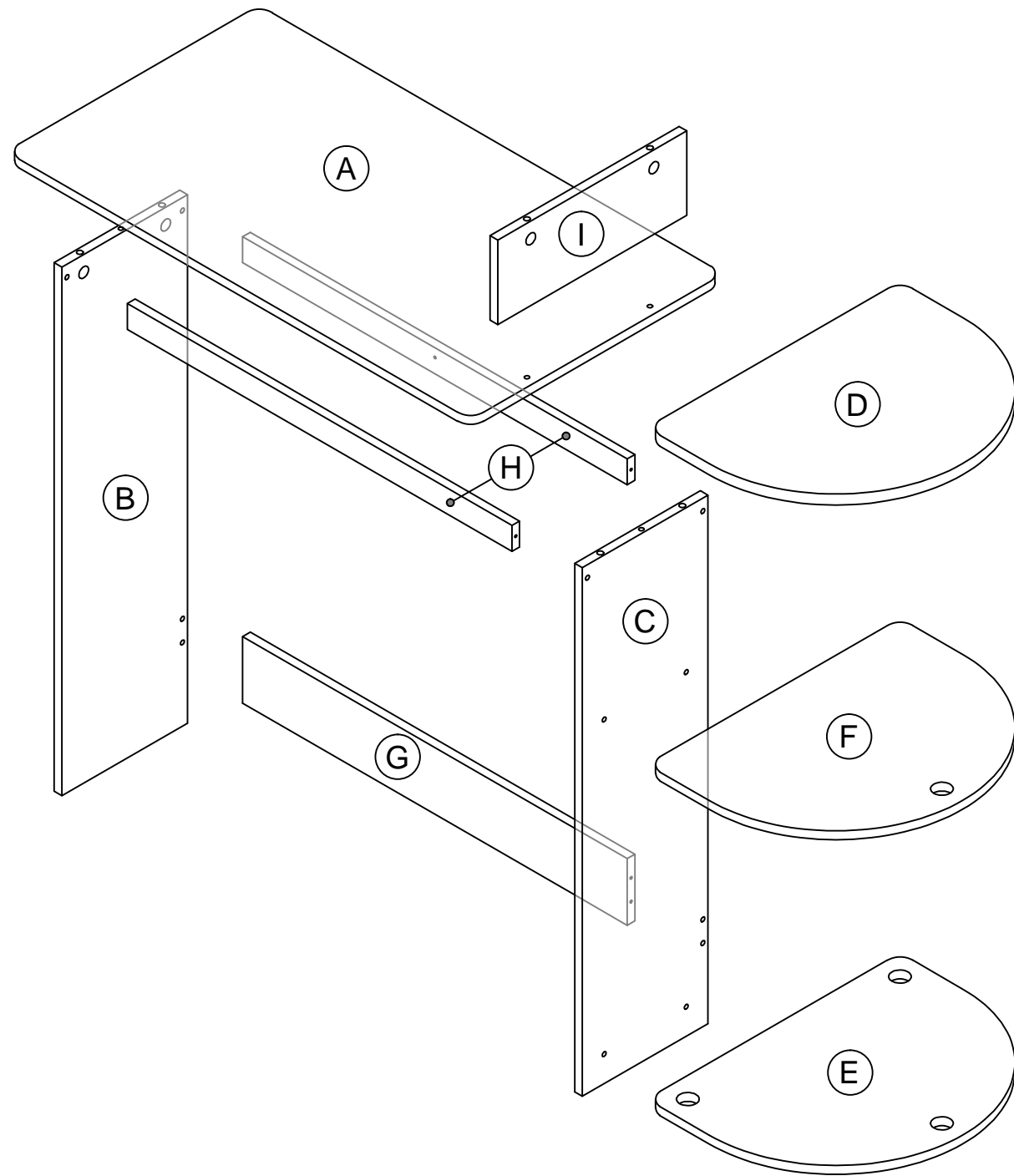


*Unit in Pound(lbs.)

WARNING:

- >This unit has been designed to support the maximum loads shown. Exceeding these load limits could cause sagging, instability, product collapse, and/or serious injury.
- >DO NOT allow children to climb on unit.
- >Put heavier items on lower shelves.

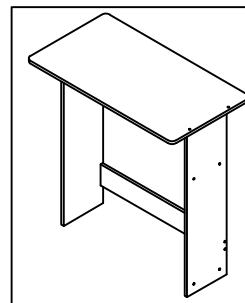
EXPLODED VIEW



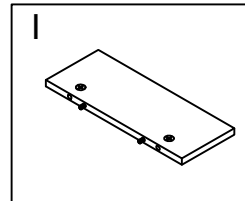
USEFUL HINTS BEFORE YOU START:

1. Read each step carefully before starting.
2. It is important that each step is performed in correct order to avoid difficulties.
3. Identify, soft and count the parts before assembly.
4. Assemble your furniture on packaging cardboard to prevent scratch or damage.
5. Clean the product with mild cleanser using soft damped cloth. Do not use harsh or abrasive cleanser.
6. Using incompatible hardware might cause damage to product.

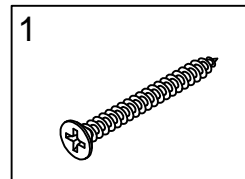
STEP 11



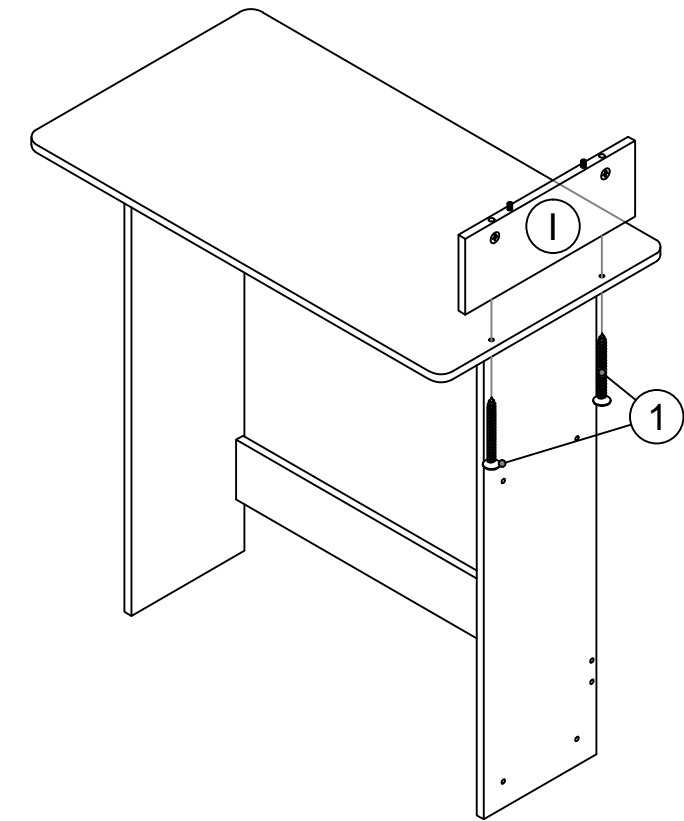
ASSEMBLED UNIT



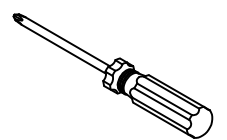
APRON PANEL 1 PC



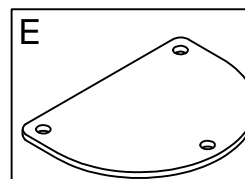
LONG SCREW 2 PCS



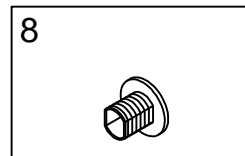
TOOL REQUIRED



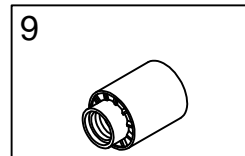
STEP 12



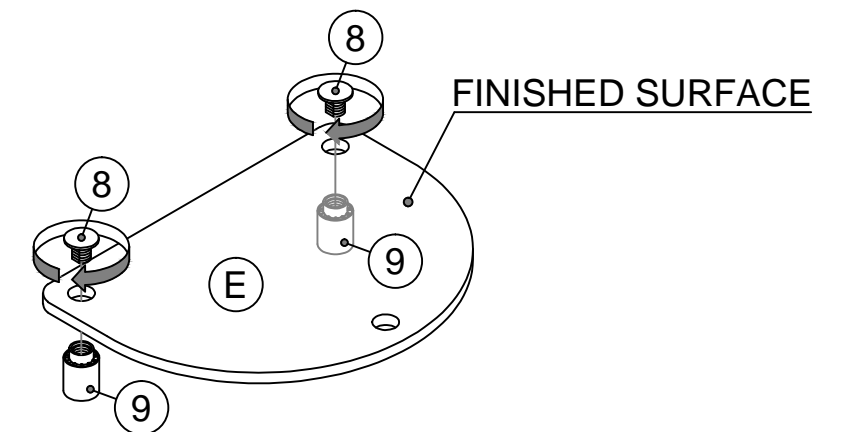
BOTTOM PANEL 1 PC

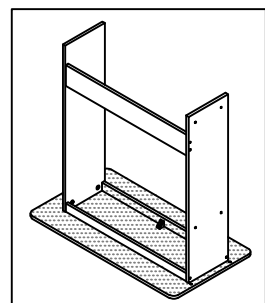


TOP CAP 2 PCS

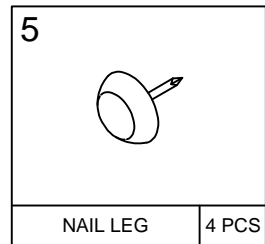


LEG 2 PCS



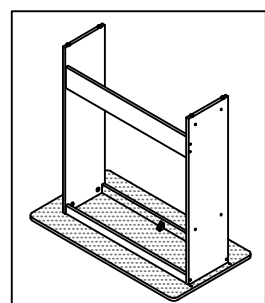
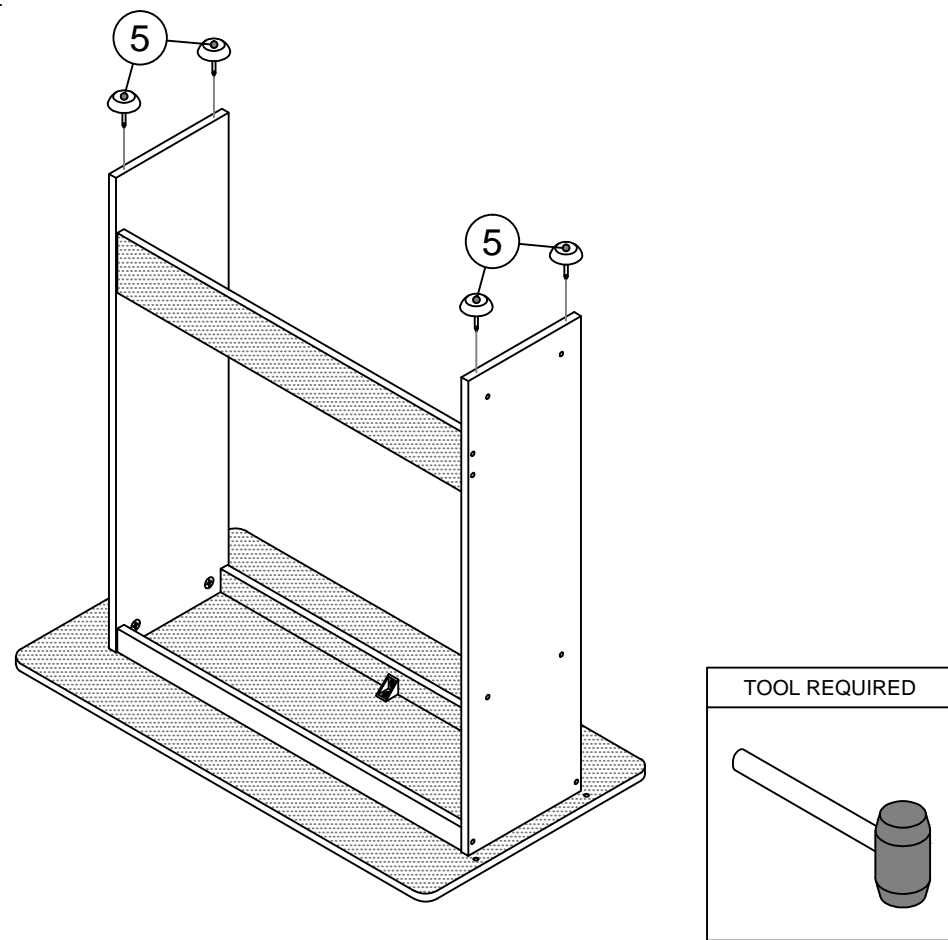


ASSEMBLED UNIT



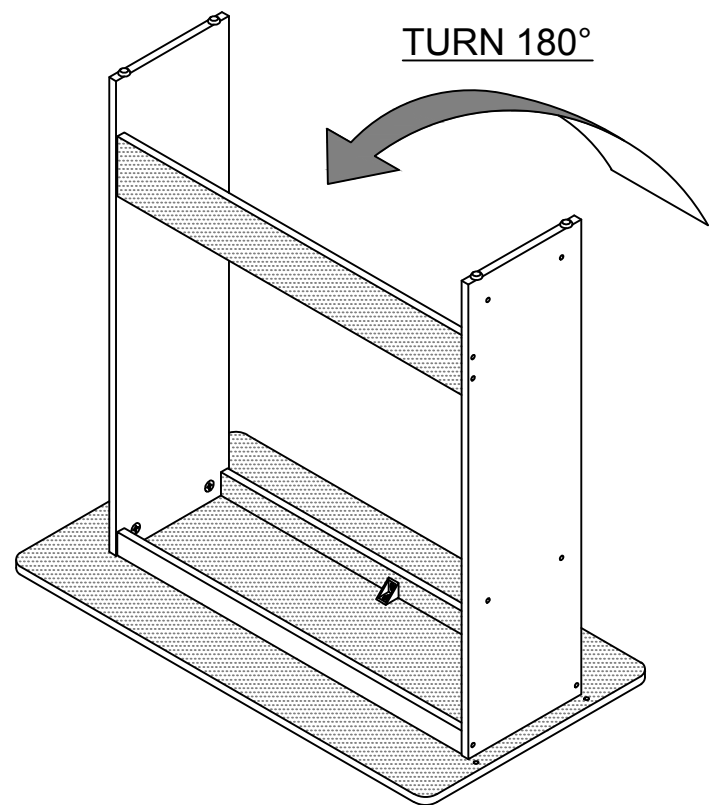
NAIL LEG 4 PCS

STEP 9



ASSEMBLED UNIT

STEP 10



PARTS LIST

A TOP PANEL 1 PC	B LEFT SIDE PANEL 1 PC	C RIGHT SIDE PANEL 1 PC
D UPPER TOP PANEL 1 PC	E BOTTOM PANEL 1 PC	F SHELF PANEL 1 PC
G BOTTOM CROSS BAR 1 PC	H SKIRT PANEL 2 PCS	I APRON PANEL 1 PC

HARDWARE LIST

1 LONG SCREW 14 PCS	2 SHORT SCREW 4 PCS	3 DOWEL 4 PCS
4 L-BRACKET 2 PCS	5 NAIL LEG 4 PCS	6 LONG POLE 1 PC
7 SHORT POLE 1 PC	8 TOP CAP 2 PCS	9 LEG 3 PCS
10 CAM-LOCK SCREW 6 PCS	11 CAM-LOCK NUT 6 PCS	

STEP 1

TOOL REQUIRED

STEP 2

TOOL REQUIRED

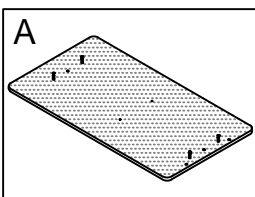
ARROW FACING OUTWARD

STEP 3

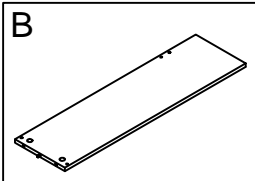
TOOL REQUIRED

STEP 4

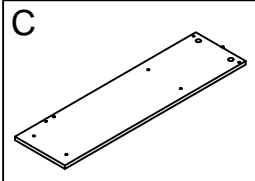
TOOL REQUIRED



TOP PANEL 1 PC

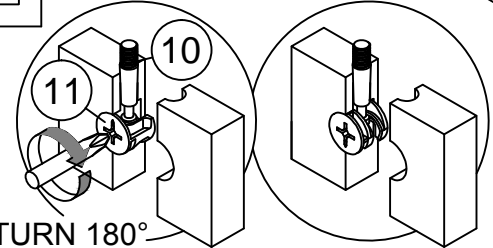
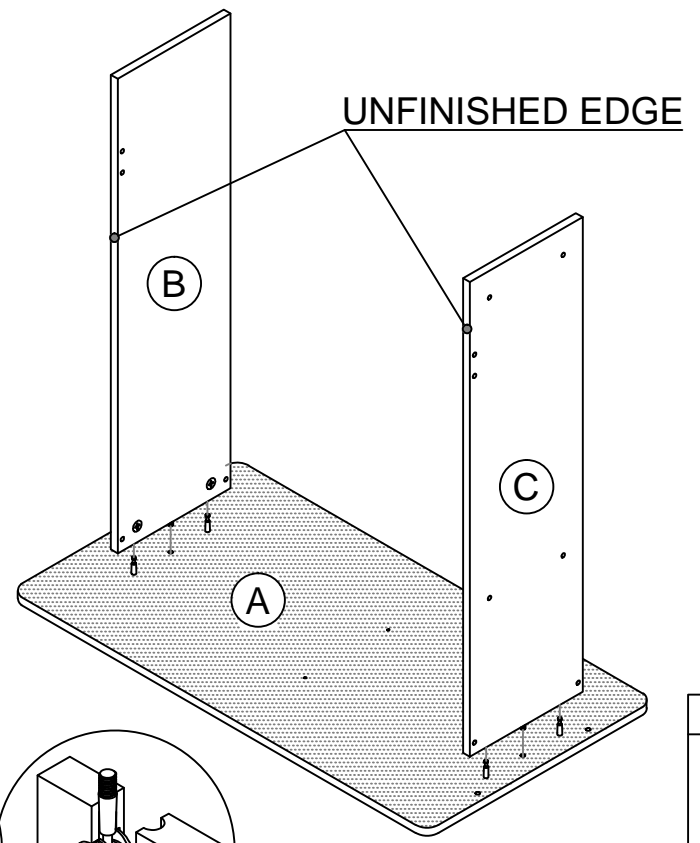


LEFT SIDE PANEL 1 PC

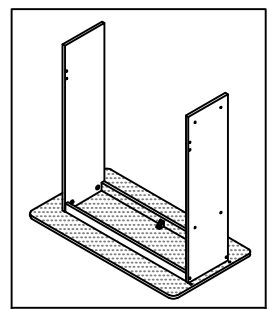


RIGHT SIDE PANEL 1 PC

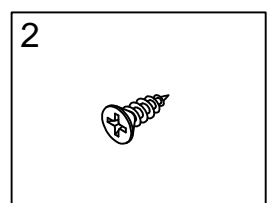
STEP 5



TOOL REQUIRED

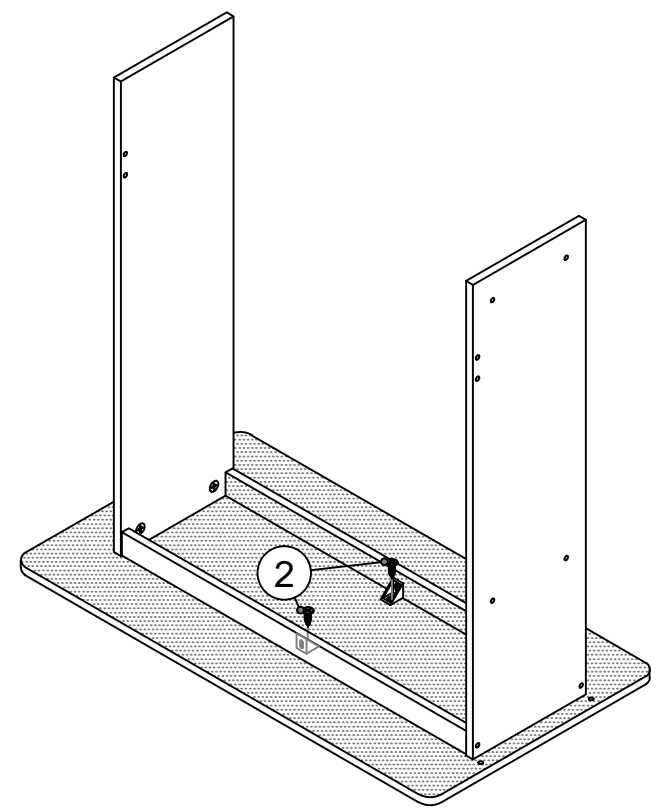


ASSEMBLED UNIT

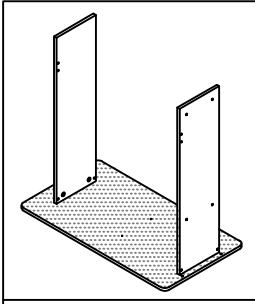


SHORT SCREW 2 PCS

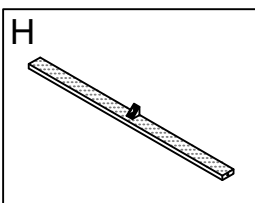
STEP 7



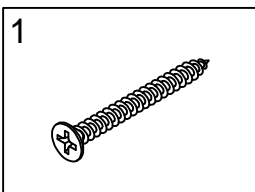
TOOL REQUIRED



ASSEMBLED UNIT

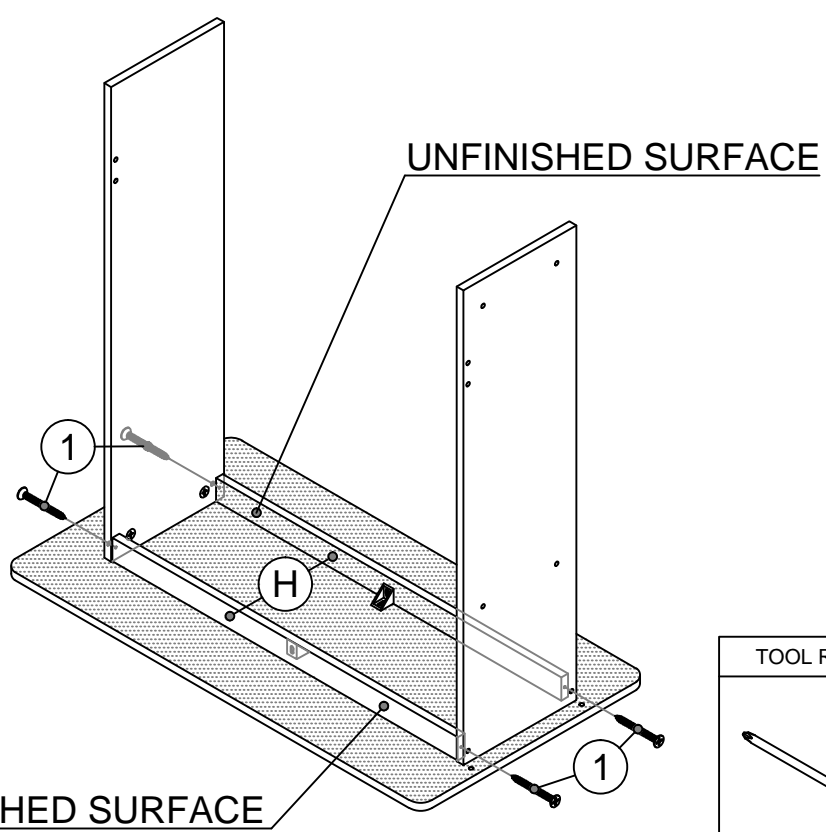


SKIRT PANEL 2 PCS

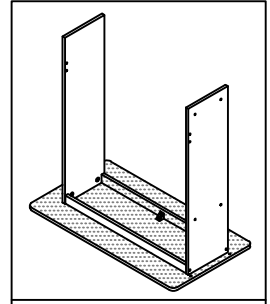


LONG SCREW 4 PCS

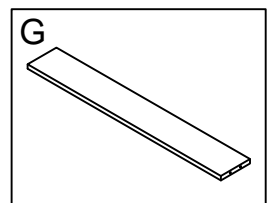
STEP 6



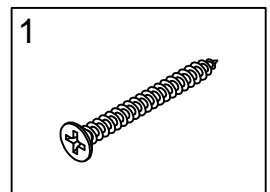
TOOL REQUIRED



ASSEMBLED UNIT

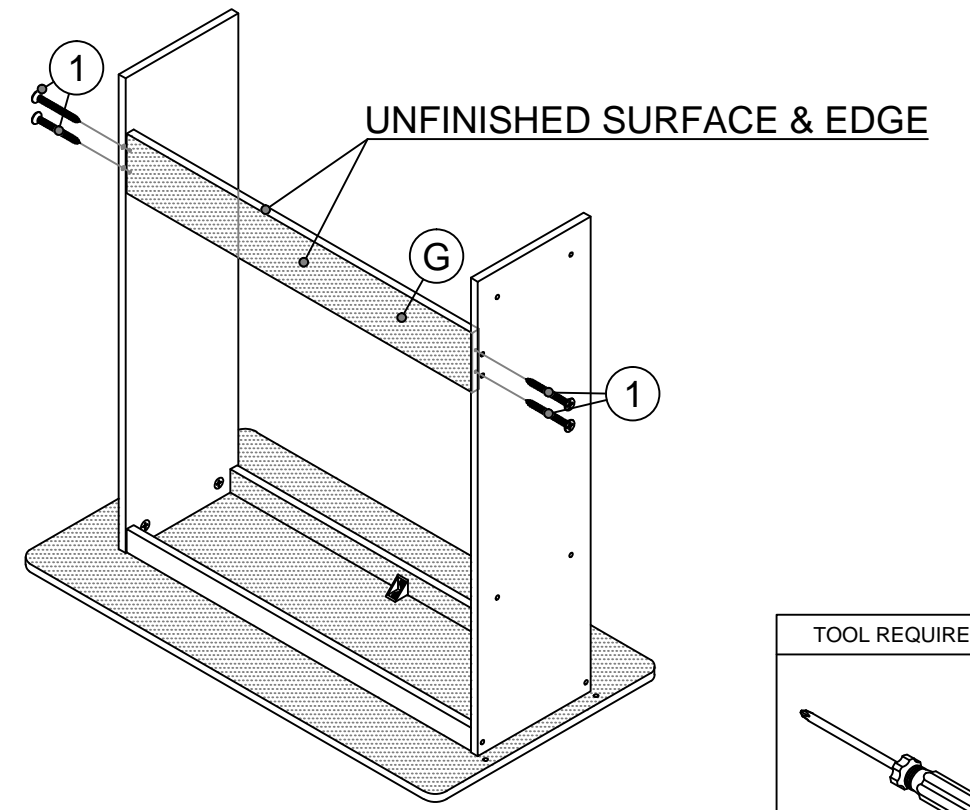


BOTTOM CROSS BAR 1 PC



LONG SCREW 4 PCS

STEP 8



TOOL REQUIRED