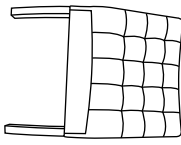
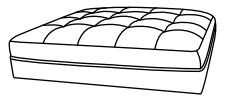
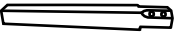




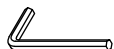
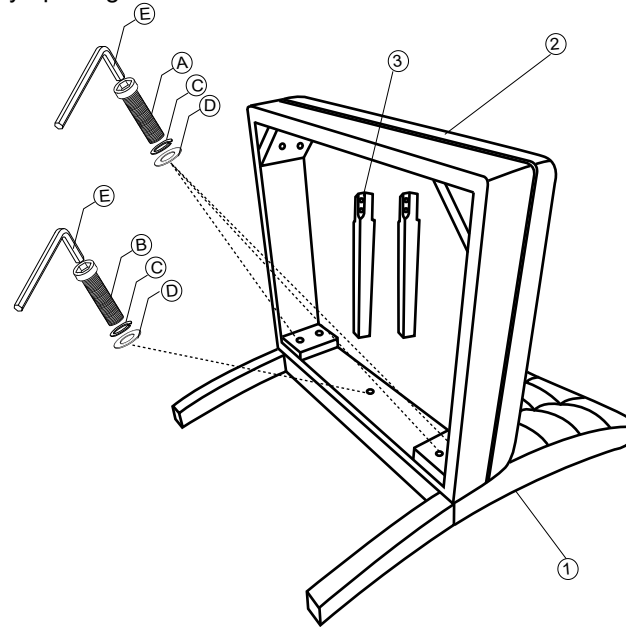


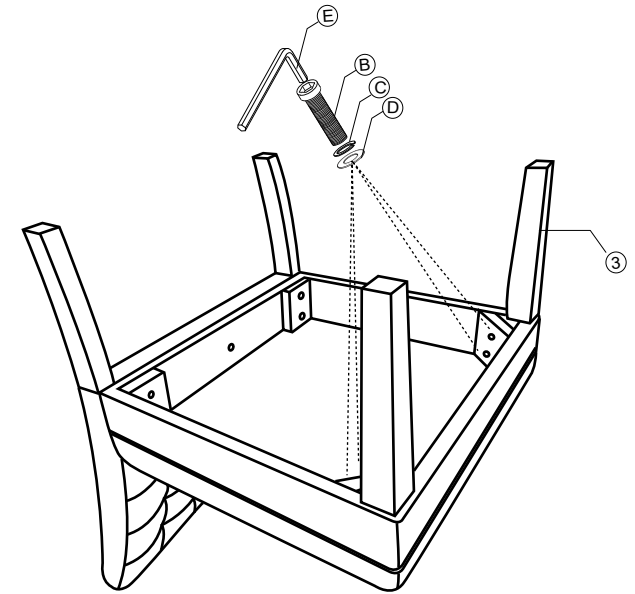
ASSEMBLY INSTRUCTION

NO.	Name of component	Qty
①		1
②		1
③		2
NO.	Name of Hardware	Qty
Ⓐ	Longer Bolt 	4
Ⓑ	Short Bolt 	5
Ⓒ	Spring washer 	9
Ⓓ	Flat Washer 	9
Ⓔ	Allen key 	1

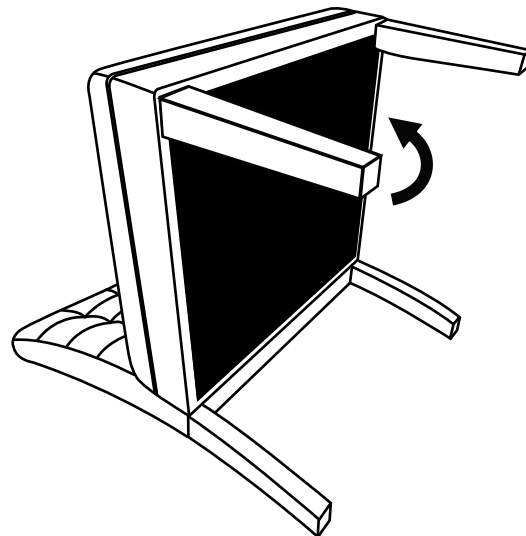
1 Note: The two front legs of the chair and the hardware bag are placed under the cushion and can be seen by opening the nonwoven fabric.



2



3



4

Adjust the front leveling feet for balance.

