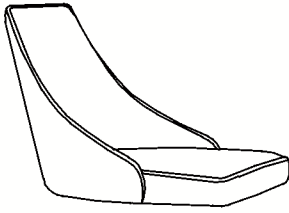
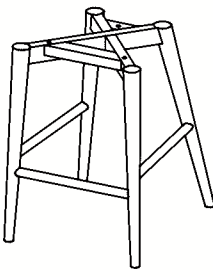

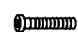




COUNTER CHAIR

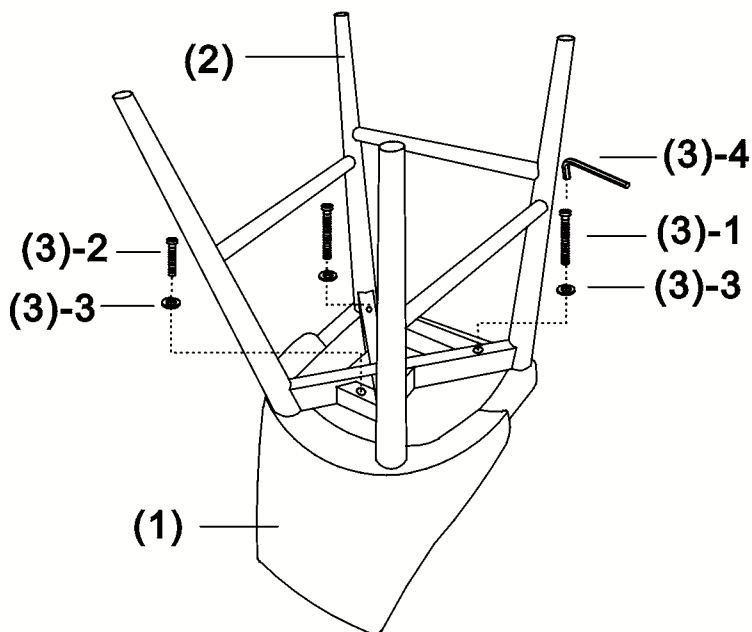
(BEIGE)
(DARK GRAY)

PART LIST/Liste des pièces

(1)	(2)	(3)
 <p>X1</p>	 <p>X1</p>	<p>1.  X2 M6*60mm</p> <p>2.  X1 M6*45mm</p> <p>3.  X3</p> <p>4.  X1</p>

INSTRUCTION

A



B

