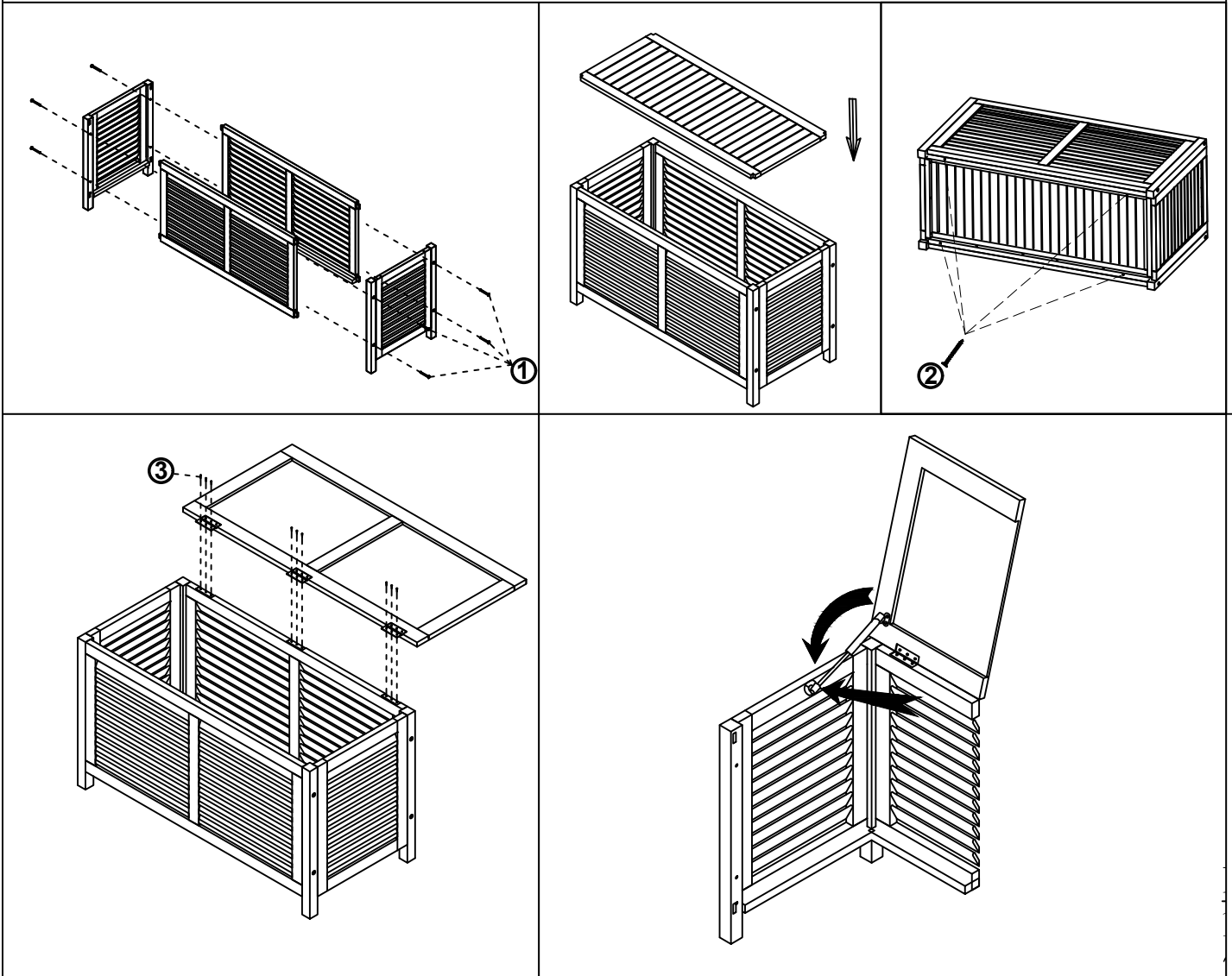
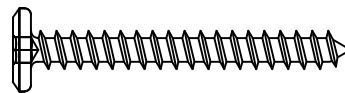


Assembly Instruction



DESCRIPTION

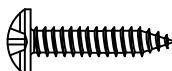
① F-Screw 6x70: 6 pcs



② Screw 4 x30 : 4 pcs



③ Screw 3.5 x 15 : 4 pcs



ADD: Allen key M4: 2 pcs

