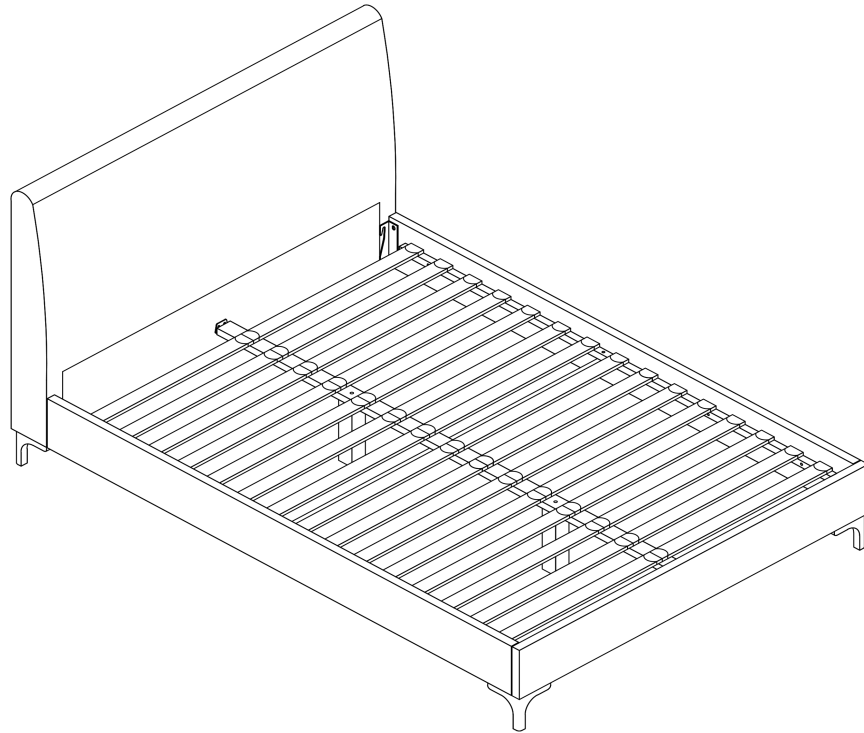


ASSEMBLY INSTRUCTIONS

Minimum No.
Of People
Recommended
To Assemble
This Product :

2

Approximate
Assembly
Time :

30
MINUTES

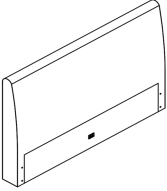
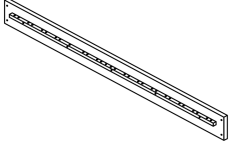
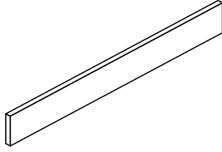
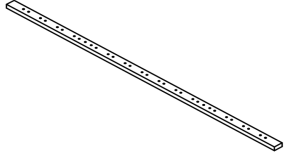

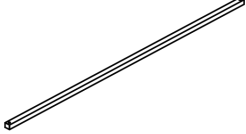
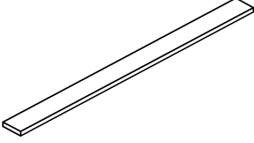


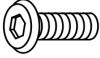
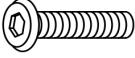



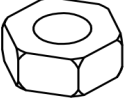

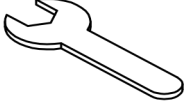



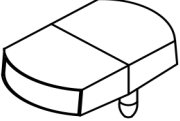
**BEFORE YOU
START, HERE
IS SOME
HELPFUL
ADVICE :**

1. We suggest you spend a short time reading through this leaflet and then follow the simple step by step instructions.
2. If you follow the instructions carefully, the end result should be worth the effort.
3. Do not discard any of the packaging until you have checked that you have all the parts and the pack of fittings is correct and you are happy with the product.
4. To ensure an easier assembly, we strongly advise that all fittings are only finger-tightened during initial assembly phase. Only upon completion of the assembly should all fixing points be fully tightened.
5. We recommend a periodic check on all fixing points to make sure they remain fully tightened.
6. Keep any fittings out of children's reach.



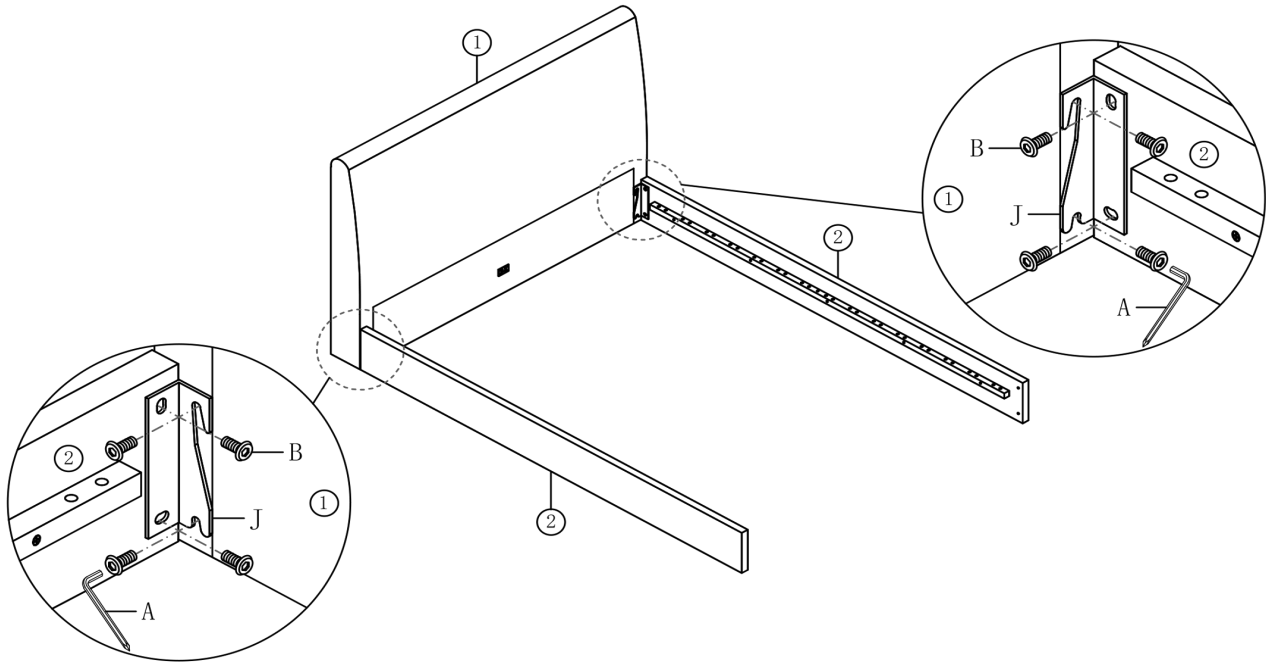
Do not use Power Tools

PARTS AND HARDWARE LISTS

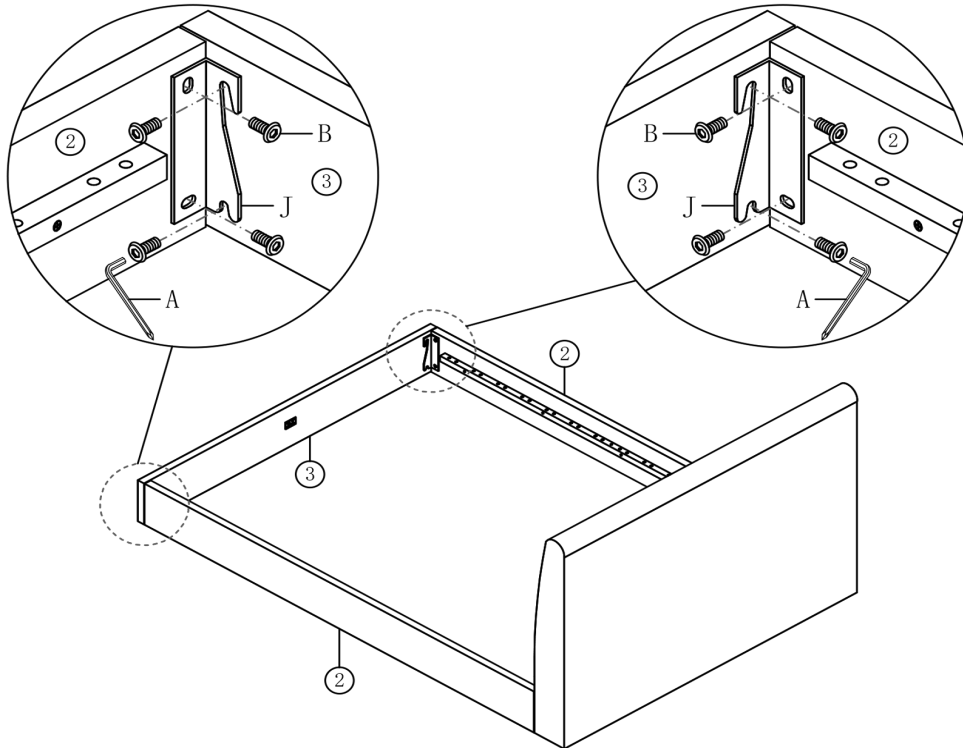
<p>1 x1pc Head board</p> 	<p>2 x2pcs Side board</p> 	<p>3 x1pc Foot board</p> 	<p>4 x1pc Central support bar</p> 
<p>5 x2pcs Middle support legs</p> 	<p>6 x1pc Across bar</p> 	<p>7 x32pcs Flat Slat</p> 	<p>8 x4pcs Bed legs</p> 
<p>A x1pc</p> 	<p>B x16pcs</p>  <p>M8x25mm</p>	<p>C x2pcs</p>  <p>M8x45mm</p>	<p>D x2pcs</p>  <p>M8x60mm</p>
<p>E x2pcs</p>  <p>M6x20mm</p>	<p>F x8pcs</p>  <p>M4x45mm</p>	<p>G x2pcs</p> 	<p>H x2pcs</p> 
<p>I x1pc</p> 	<p>J x4pcs</p> 	<p>K x2pcs</p> 	<p>L x32pcs</p> 
<p>M x16pcs</p> 			

STEP 1

Fix the Side rails ② to the Head board ① with Bolts B and Hinge J by using Allen Key A.

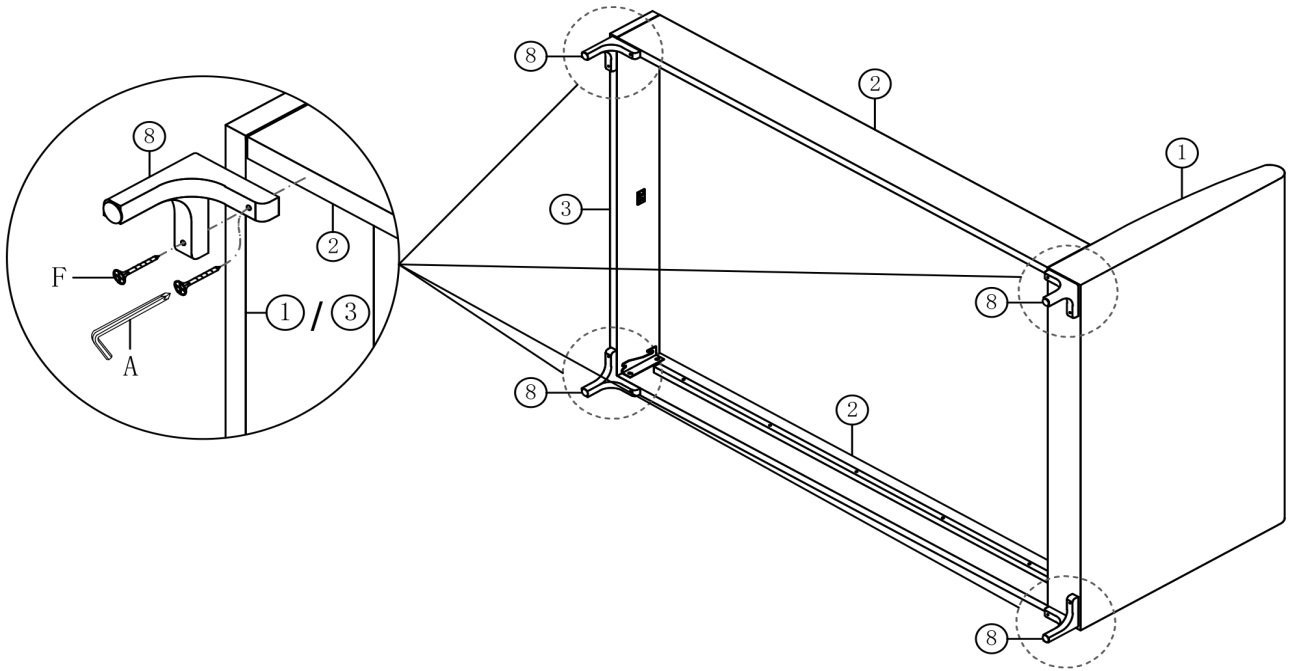
**STEP 2**

Fix the Foot board ③ to the Side rails ② with Bolts B and Hinge J by using Allen Key A.



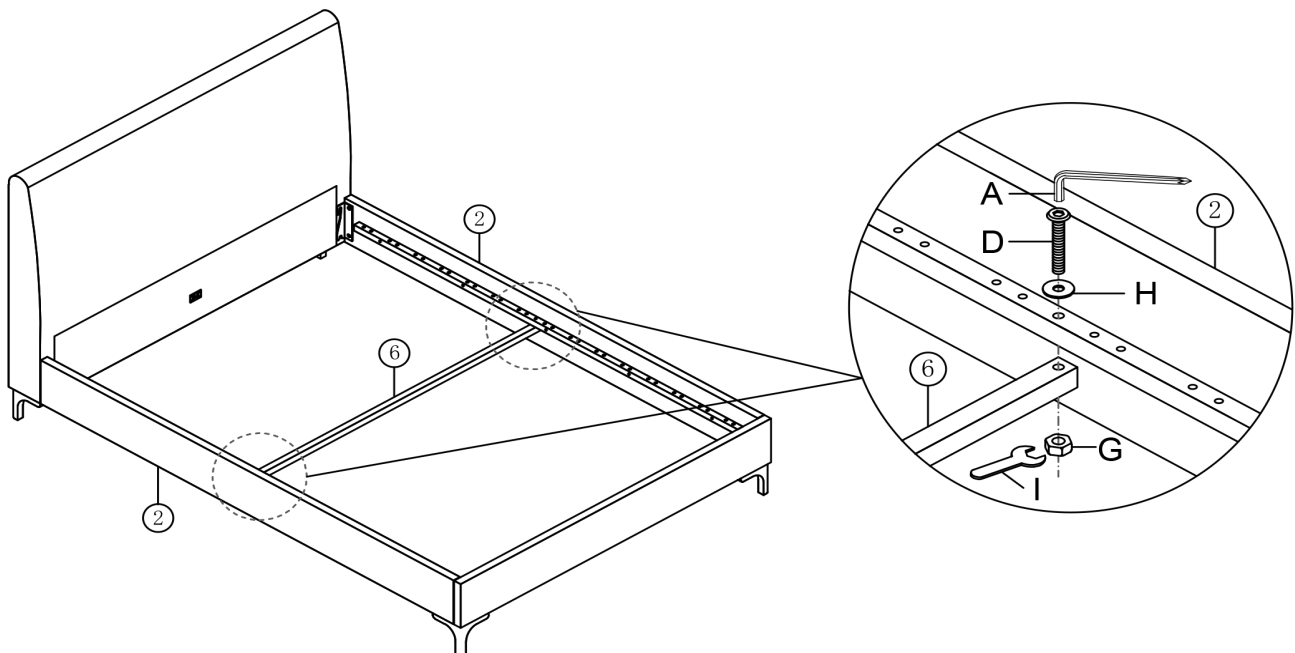
STEP 3

Fix the Bed legs ⑧ to the Head board ①, Side rails ② and Foot board ③ with Nails F by using Allen Key A.



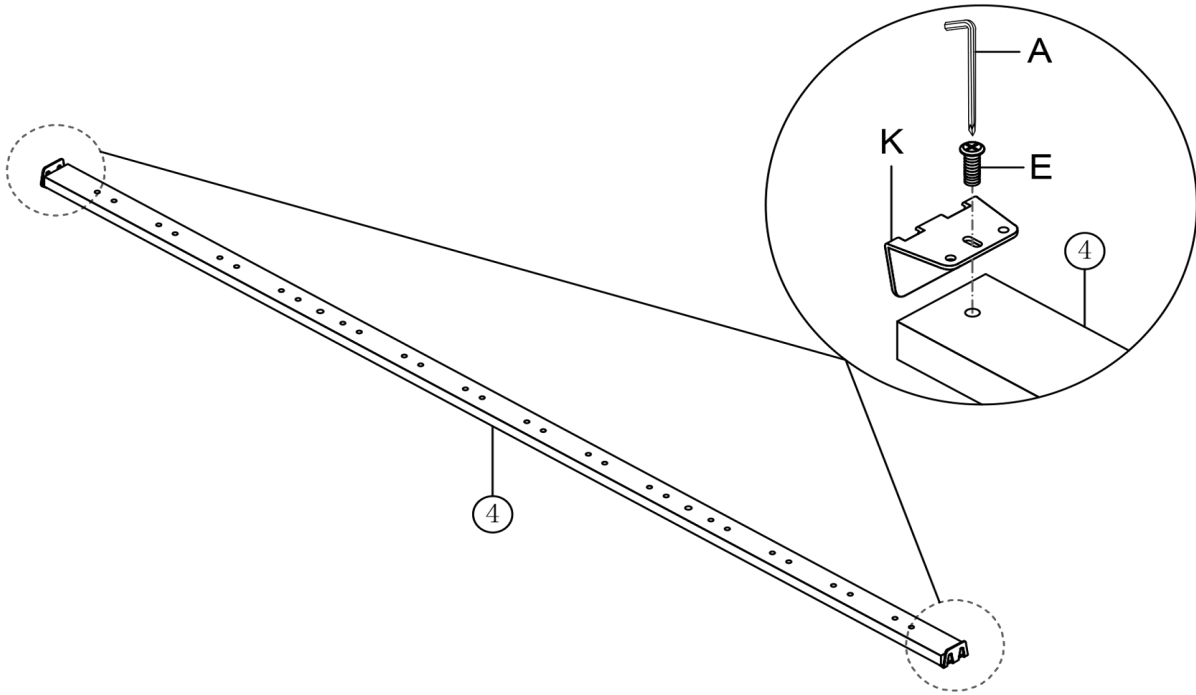
STEP 4

Fix the Across bar ⑥ to the Side rails ② with Bolts D, Nuts G and Washer H by using Allen key A and Spanner I.

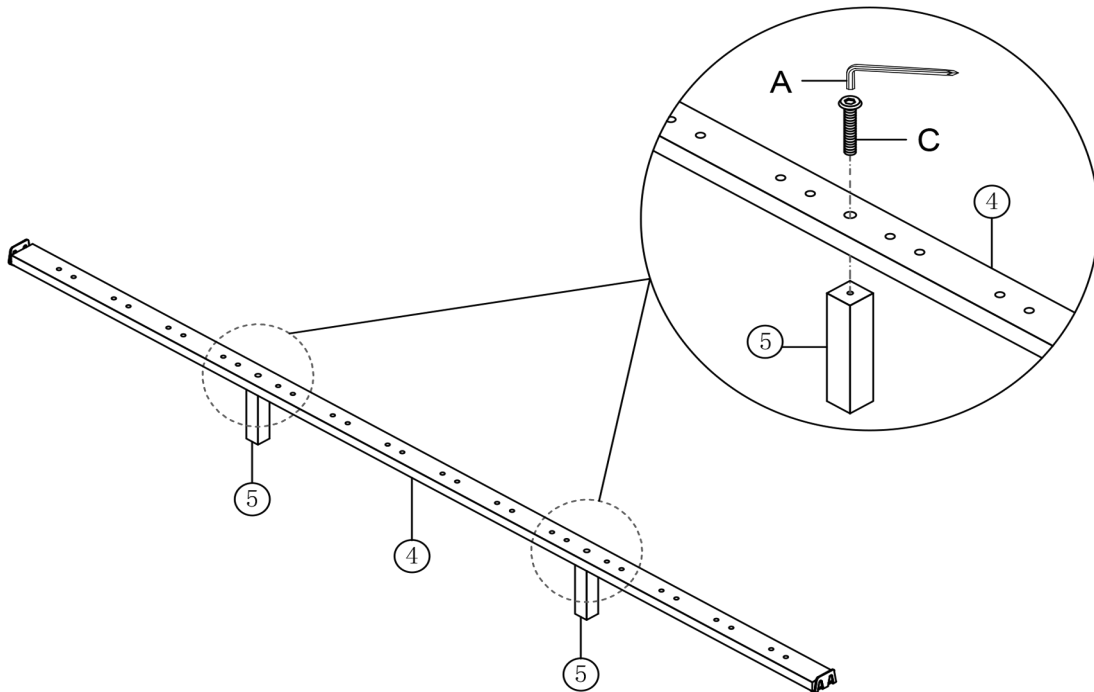


STEP 5

Fix the Bracket K to the Central support bar ④ with Bolts E by using Allen Key A.

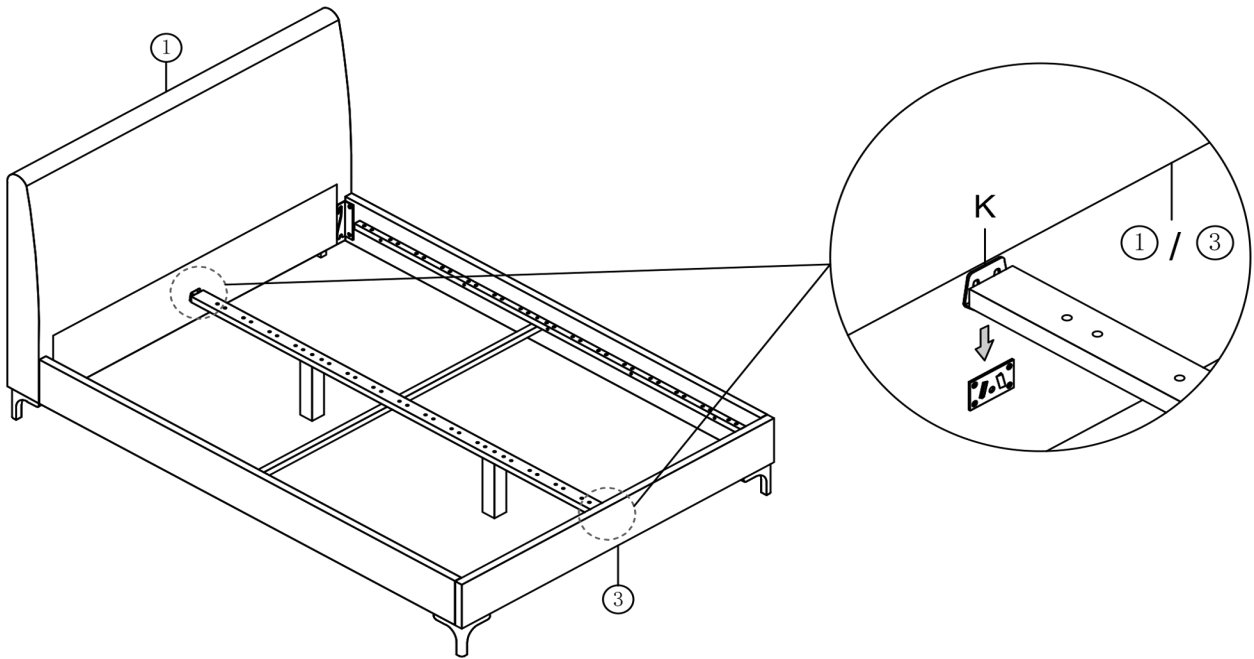
**STEP 6**

Attach the Middle support legs ⑤ to the Central support bar ④ with Bolts C by using Allen Key A to tighten it.



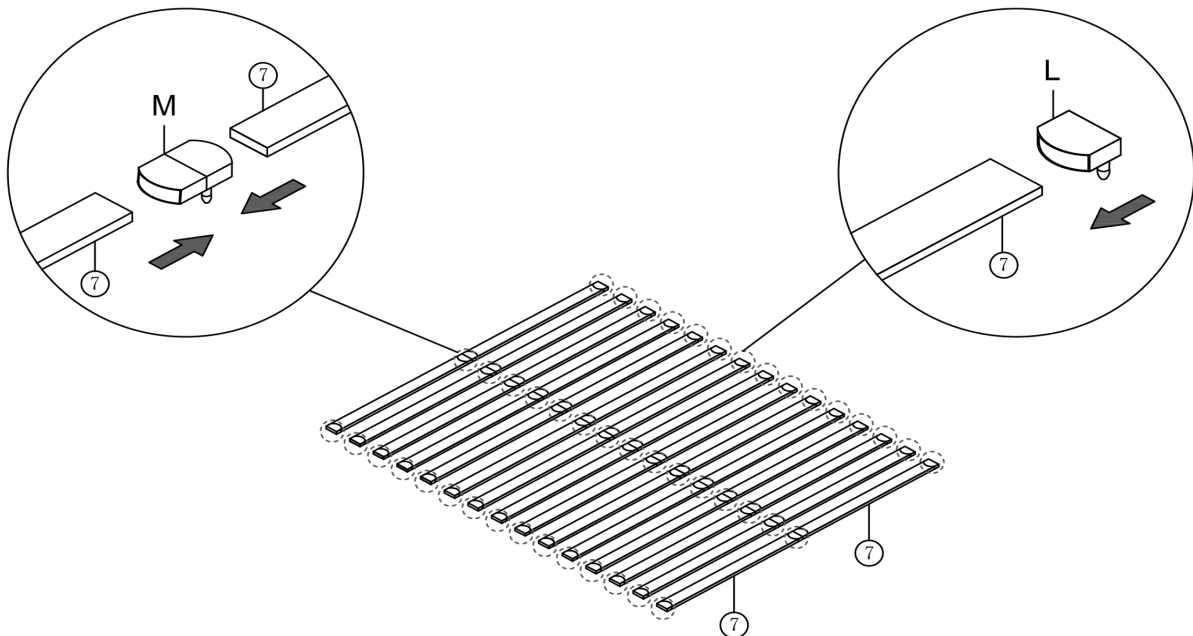
STEP 7

Attach the Bracket K to the Head board ① and Foot board ③ by pushing the Bracket K down to fit it..



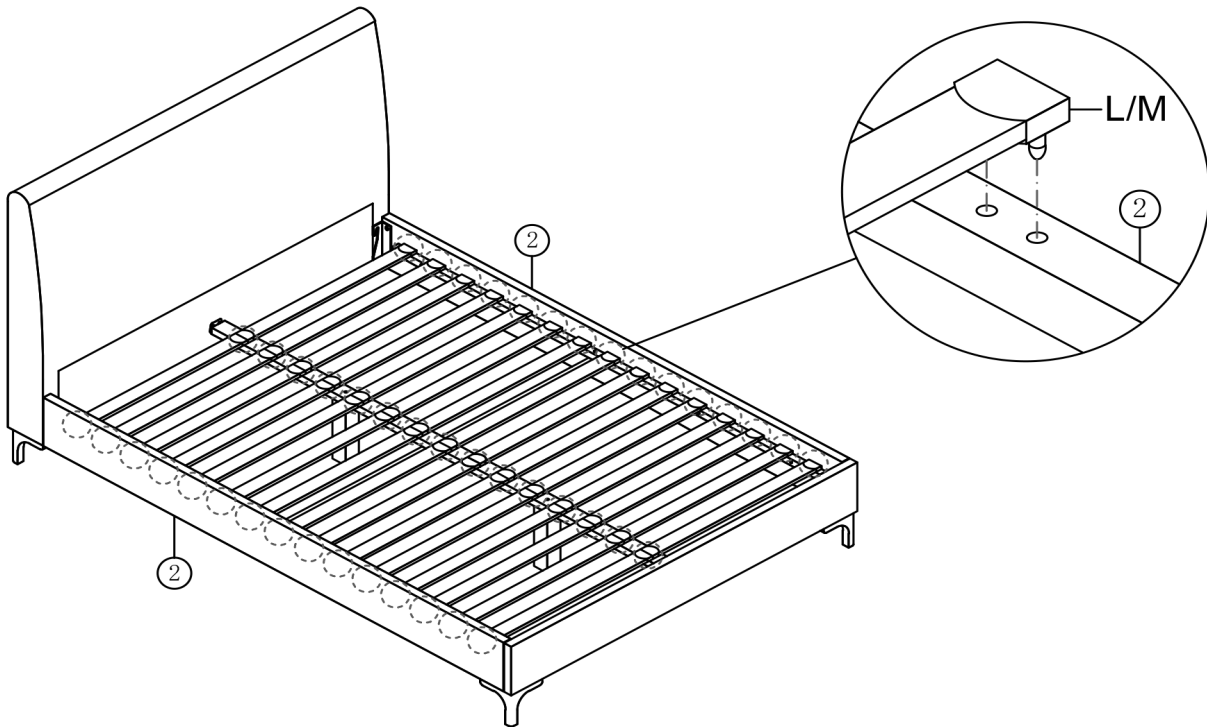
STEP 8

Insert the Flat Slat ⑦ to both ends of slat Middle Holder M before attaching slat End Holder L to the other end of Flat Slats.



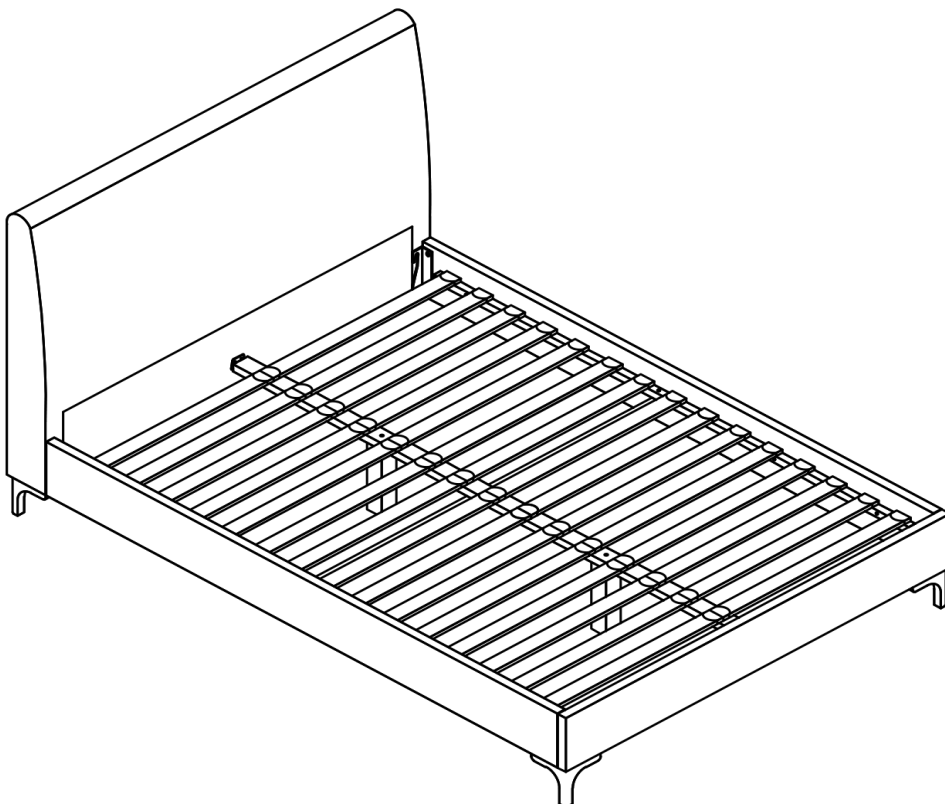
STEP 9

Press down the Middle Holder M and the End Holder L to the side rail and Central support bar.



STEP 10

Every thing is finished now, please enjoy your bed.



Caring for your New product

- When assembling your product please ensure that you have checked the contents for all relevant parts.
- When tightening bolts make sure that they are fully tightened but not forced.

BEDS WITH CENTRE LEGS

- PLEASE NOTE THE RECOMMENDED PROCESS FOR ADJUSTING CENTRE LEGS WHEN ASSEMBLING YOUR BED.
- BEFORE PLACING THE MATTRESS ON THE BASE, PLEASE ENSURE THAT THE SUPPORT LEGS ARE NOT QUITE TOUCHING THE FLOOR. WHEN THE BED IS THEN IN USE THE SUPPORT LEGS WILL SIT FIRMLY ON THE SOLID SURFACE.
- PLEASE ENSURE THAT THE LEGS ARE VERTICAL.
- **DUE TO THE NATURE OF LAMINATE FLOORING WE RECOMMEND THAT YOU PLACE A SMALL PIECE OF NON SLIP MATERIAL UNDER THE LEGS WHICH WILL GIVE YOU THE FLEXIBILITY THAT THE ADJUSTERS NEED.**
- WHEN MOVING THE BED IT IS ESSENTIAL THAT IT IS **LIFTED** INTO THE NEW POSITION. **NEVER DRAG** THE BED AS THIS WILL MOVE THE LEGS FROM THE VERTICAL POSITION THUS WEAKENING THE SUPPORT OF THE CENTRE RAIL.
- ADHERING TO THE RECOMMENDED PROCESS SHOULD ENSURE THAT YOUR BED GIVES YOU YEARS OF TROUBLEFREE SERVICE.
- It is advisable to use approved cleaning products when cleaning our products as certain chemical based cleaners could have an adverse effect on the bed finish.

- All of our beds are produced to the highest standards and are packed to avoid damage in transit, should you find that your new bed does not meet with your satisfaction please contact our customer care team on 01455 850150.
- **PLEASE NOTE: GOODS THAT NEED TO BE RETURNED SHOULD BE SENT BACK IN ORIGINAL PACKAGING.**

PROBLEMS?

**SHOULD YOU ENCOUNTER ANY DIFFICULTY WITH THE
ASSEMBLY OF YOUR BED,
PLEASE DO NOT TROUBLE YOUR RETAILER BUT
CALL or E-MAIL our
CUSTOMER SERVICES DEPARTMENT
BETWEEN THE HOURS OF
9.00am to 5.00pm MONDAY to THURSDAY
9.00am to 4.00pm FRIDAY**

Tel:-01455 850150

E-mail: - customerservice@limelightbeds.co.uk

Please have the following information ready for our staff:

**Product name
Part number from the Assembly Instructions
Batch code
Name of Retailer purchased from**

Product Care Instructions

As we want you to get the best out of your new purchase and we understand that accidents may happen, we have partnered with Staingard to help you keep your bed looking brand new. Staingard can supply a Fabric Care Kit that will work best with your fabric choice and can also supply floor protection products. Please contact them quoting 'Limelight' and they will advise the best kit for your fabric.



Welcome to Staingard – *you're in safe hands*

For almost two decades Staingard has been providing consumers with the very best products with which to care for their treasured possessions.

Please contact Staingard on

sales@staingard.co.uk or 01244 888658