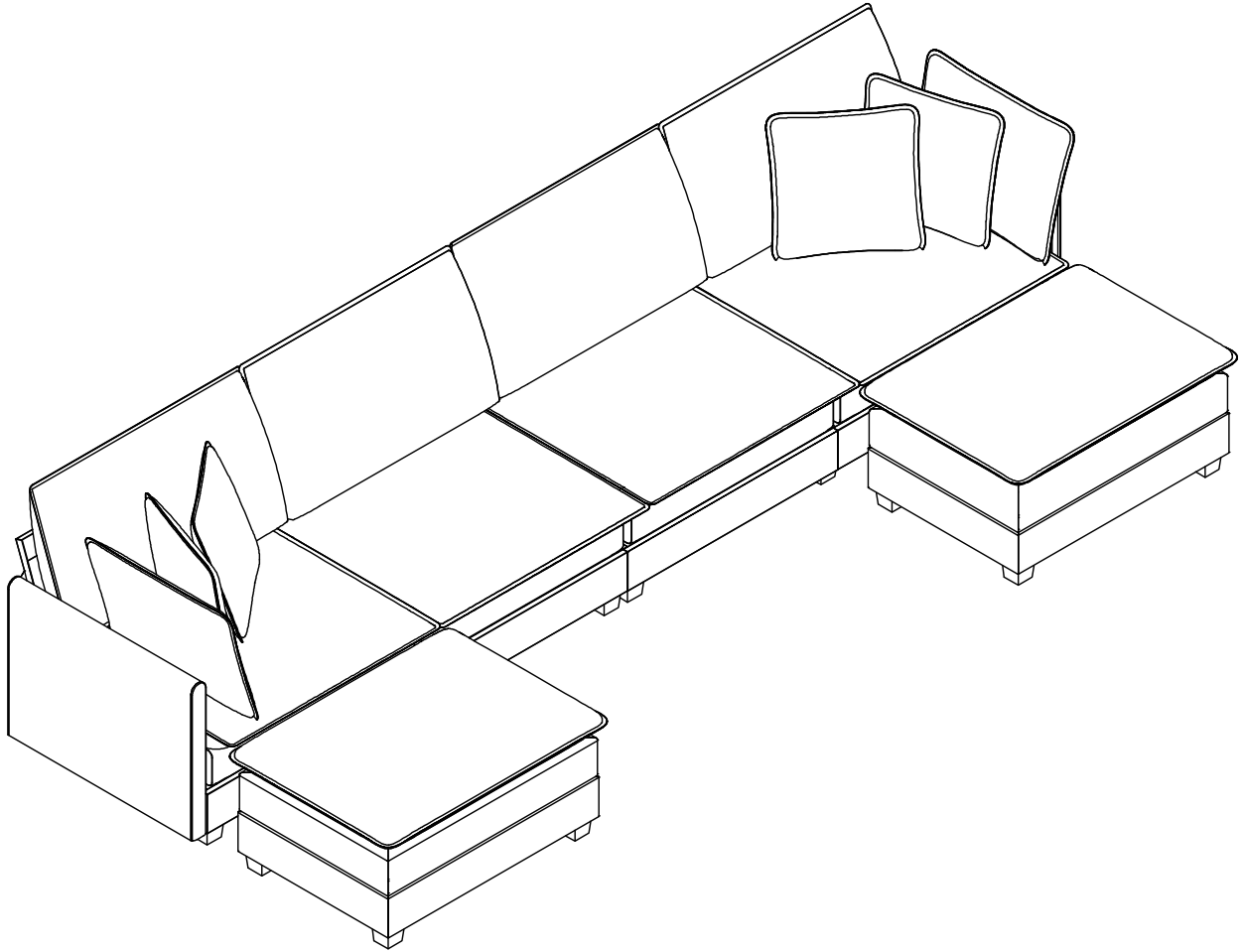
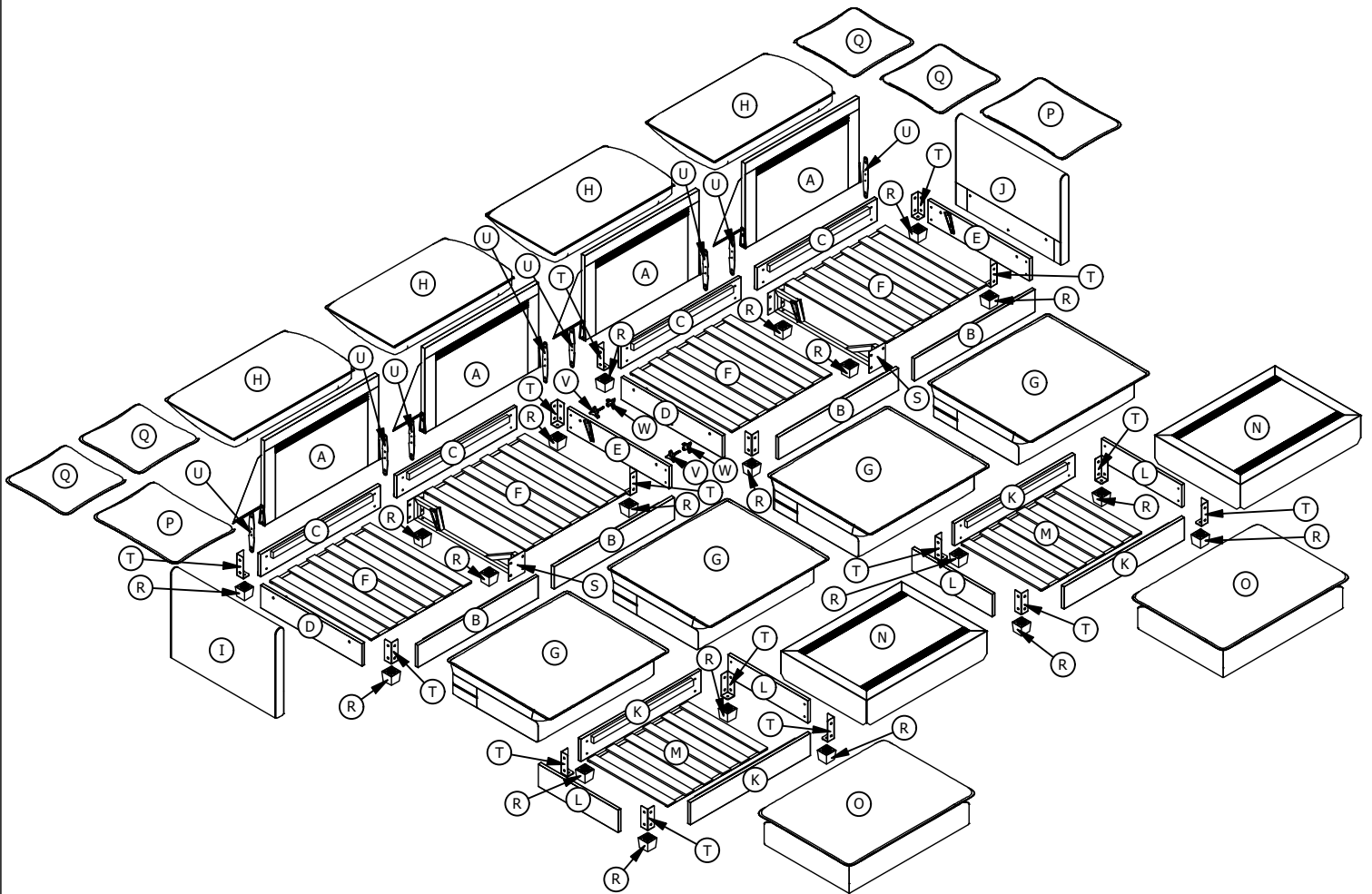


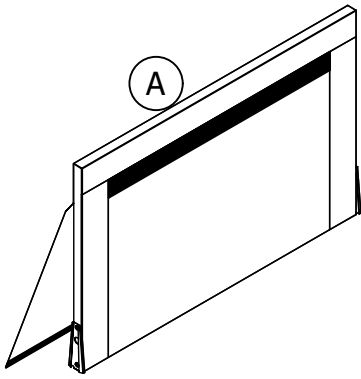
Assembly Instruction



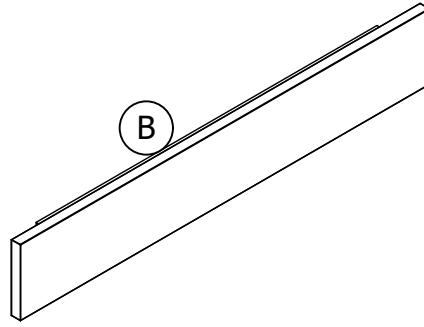
PARTS



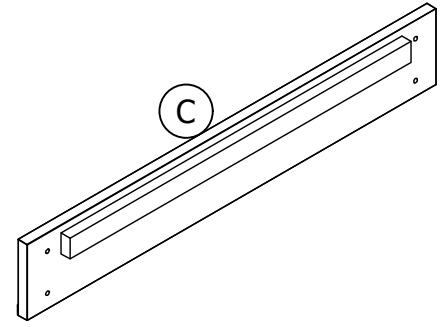
PARTS LIST - BOX A



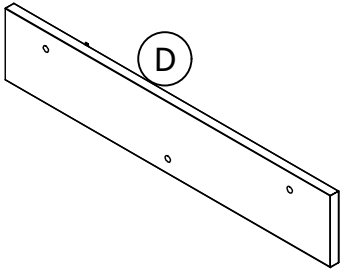
Back Frame X 2 PCS



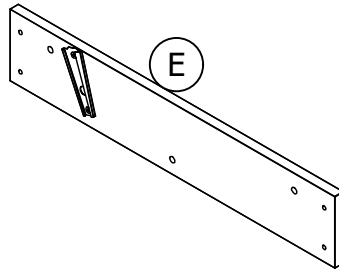
Front Panel X 2 PCS



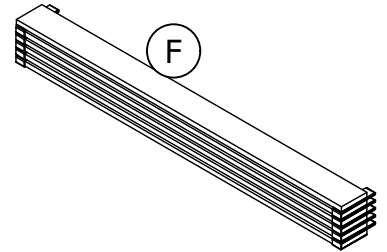
Rear Panel X 2 PCS



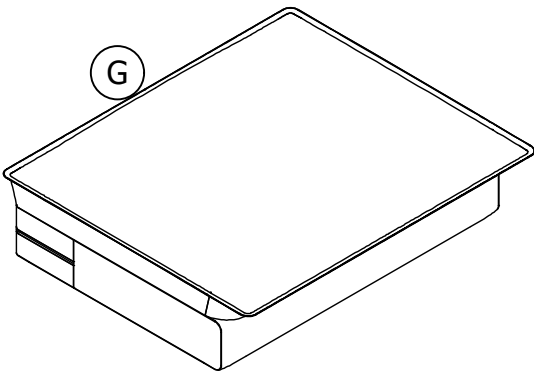
Left Plate X 1 PC



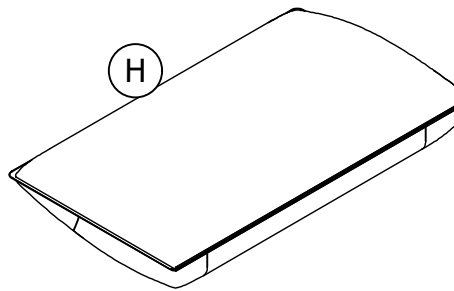
Right Plate X 1 PC



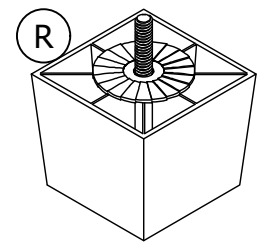
Seat Panel X 2 PCS



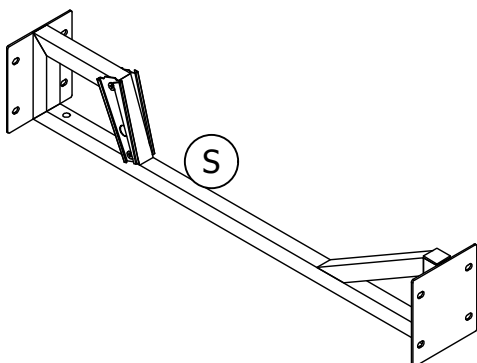
Seat Cushion X 2 PCS



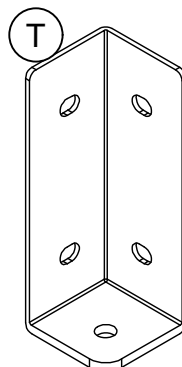
Back Cushion X 2 PCS



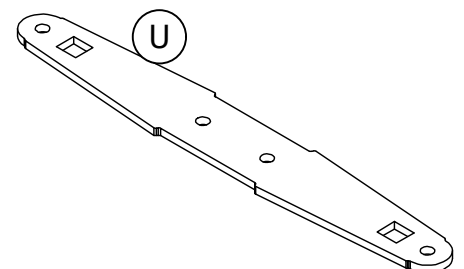
Leg X 6 PCS



Connector X 1 PC

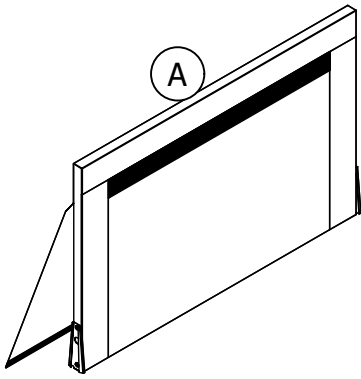


Bracket X 4 PCS

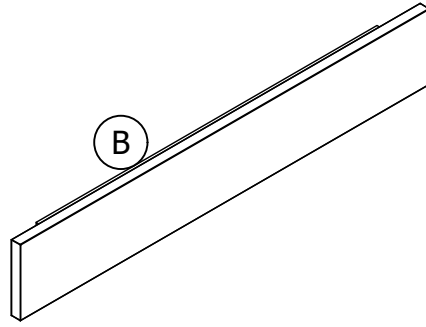


Connector X 4 PCS

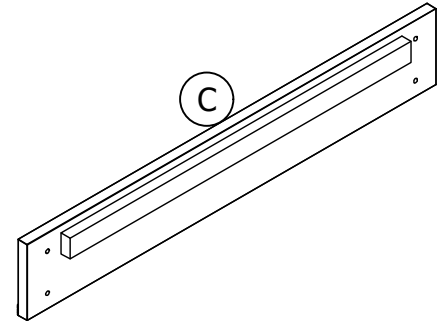
PARTS LIST - BOX B



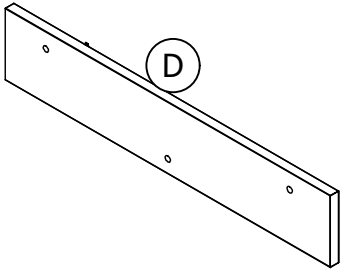
Back Frame X 2 PCS



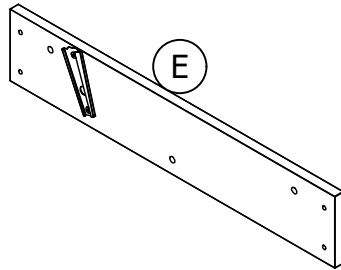
Front Panel X 2 PCS



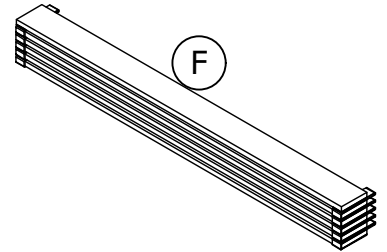
Rear Panel X 2 PCS



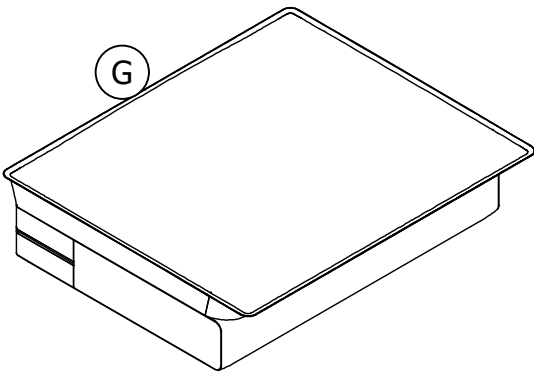
Left Plate X 1 PC



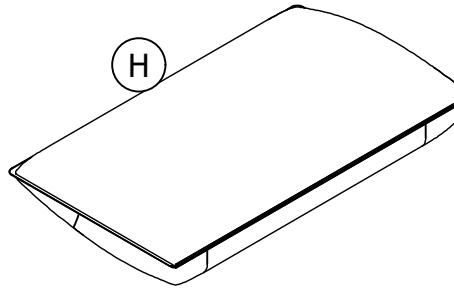
Right Plate X 1 PC



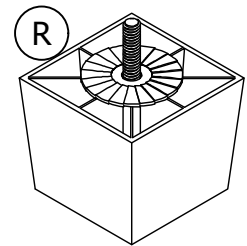
Seat Panel X 2 PCS



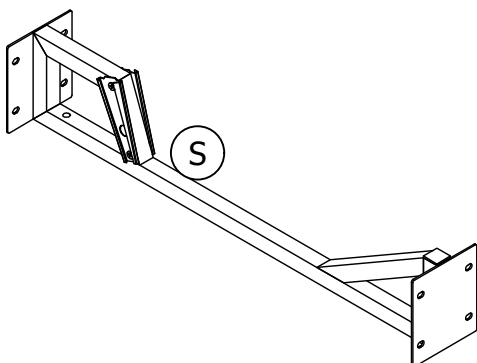
Seat Cushion X 2 PCS



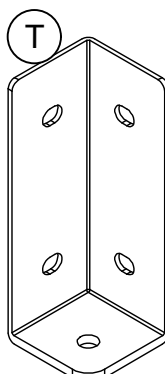
Back Cushion X 2 PCS



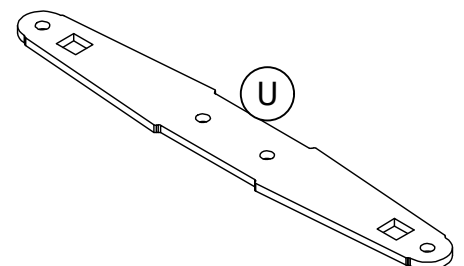
Leg X 6 PCS



Connector X 1 PC

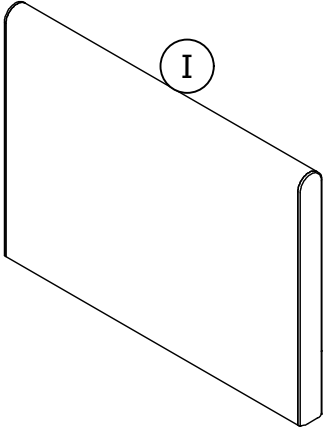


Bracket X 4 PCS

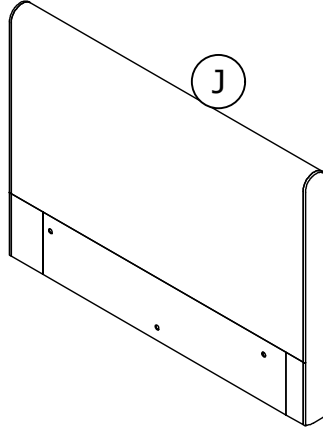


Connector X 4 PCS

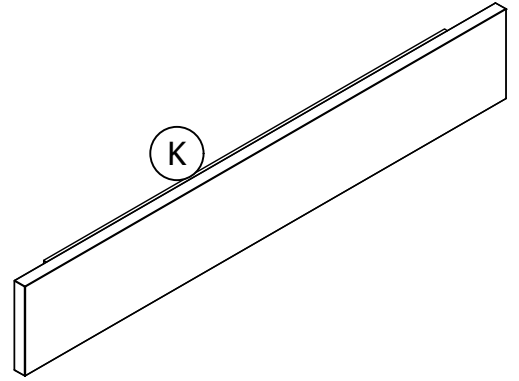
PARTS LIST - BOX C



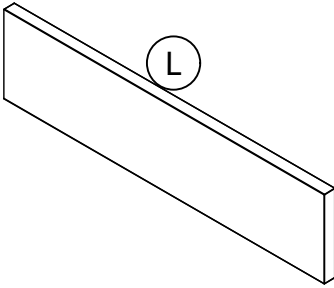
Left Armrest X 1 PC



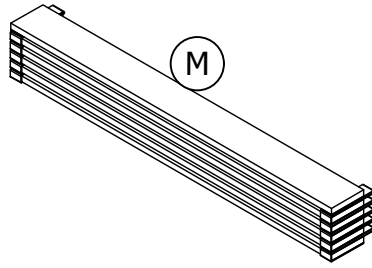
Right Armrest X 1 PC



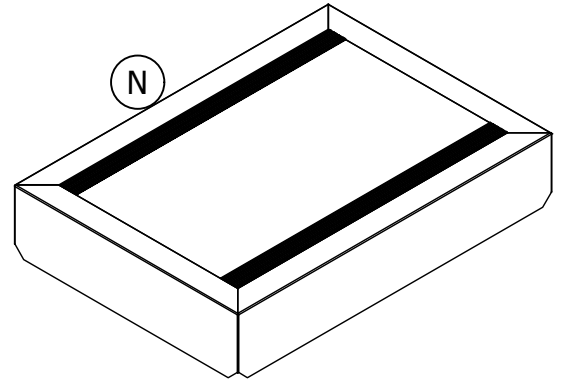
Ottoman's Panel X 4 PCS



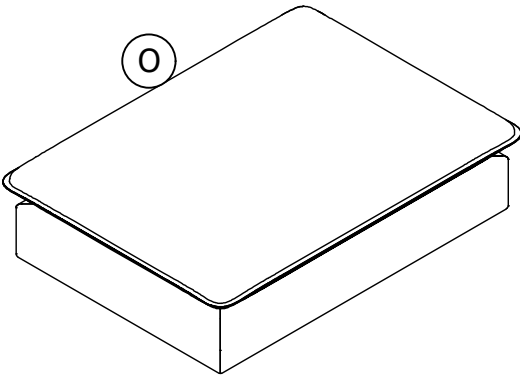
Ottoman's Side Panel X 4 PCS



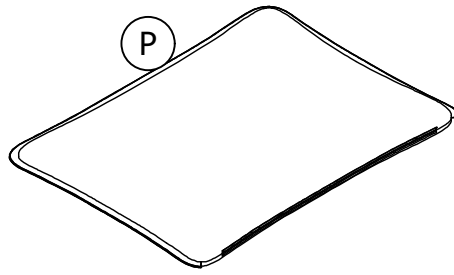
Ottoman's Seat Panel X 2 PCS



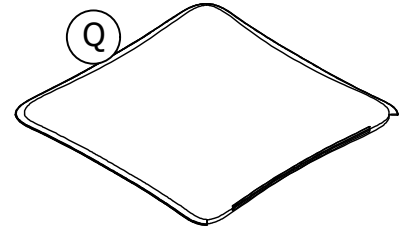
Ottoman's Cover X 2 PCS



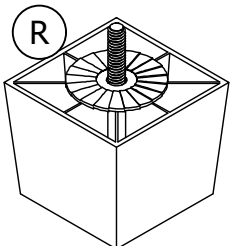
Ottoman's Seat Cushion X 2 PCS



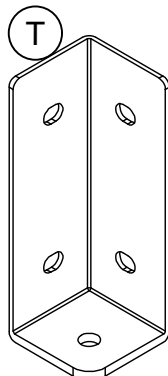
Pillow X 2 PCS



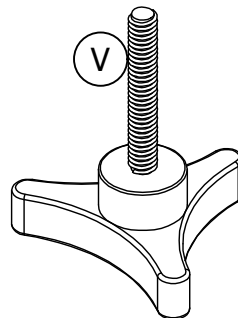
Pillow X 4 PCS



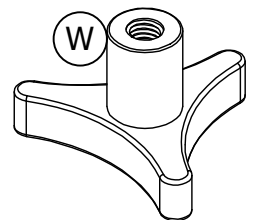
Legs X 8 PCS



Bracket X 8 PCS

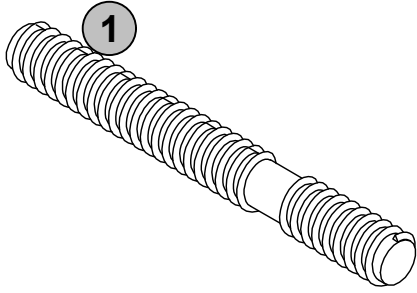


Bolt X 2 PCS

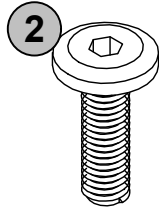


Nut X 2 PCS

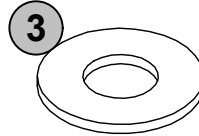
HARDWARE (in BOX A)



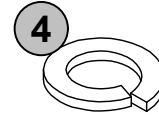
Stud 5/16" X 70mm
X 3



Bolts 1/4" x 20mm
X 24



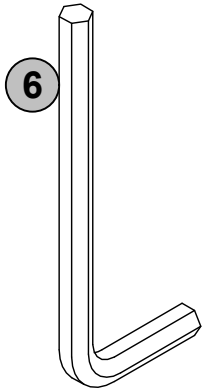
Washer
X 3



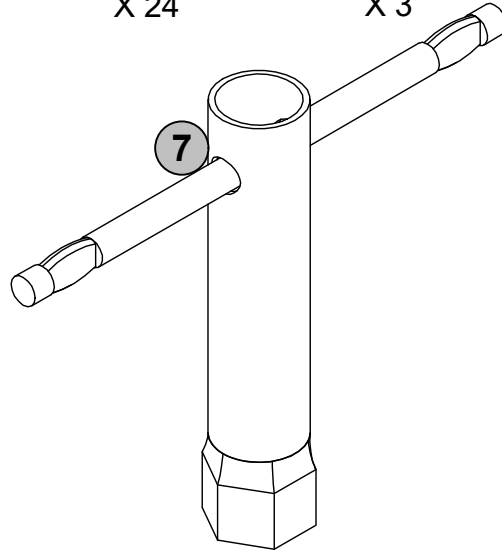
Spring Washer
X 3



Nut
X 3

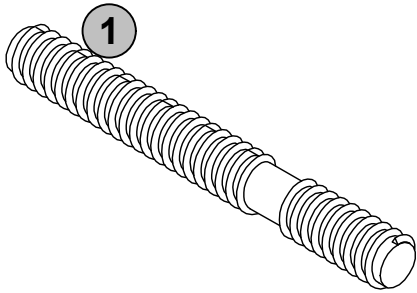


4mm Allen Key X 1

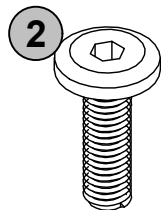


Wrench X 1

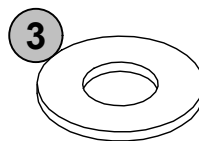
HARDWARE (in BOX B)



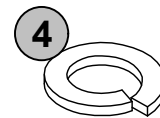
Stud 5/16" X 70mm
X 3



Bolts 1/4" x 20mm
X 24



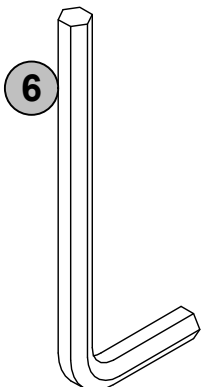
Washer
X 3



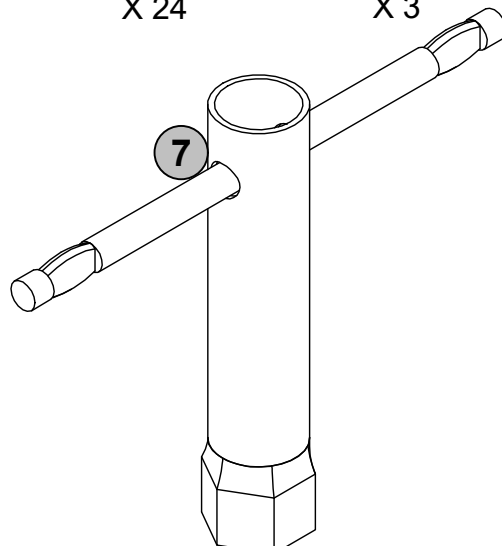
Spring Washer
X 3



Nut
X 3

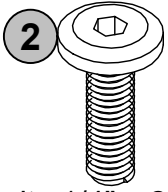


4mm Allen Key X 1

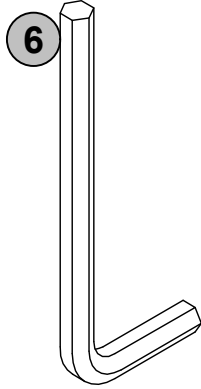


Wrench X 1

HARDWARE (in Box C)



Bolts 1/4" x 20mm
X 32

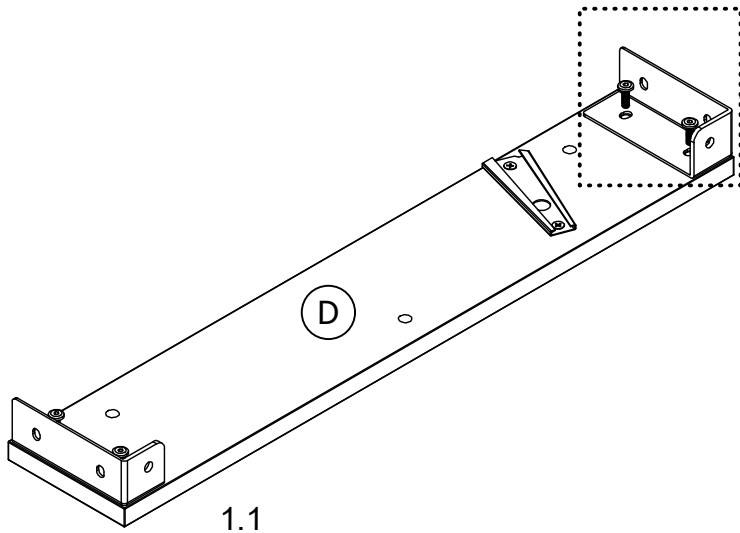


4mm Allen Key X 1

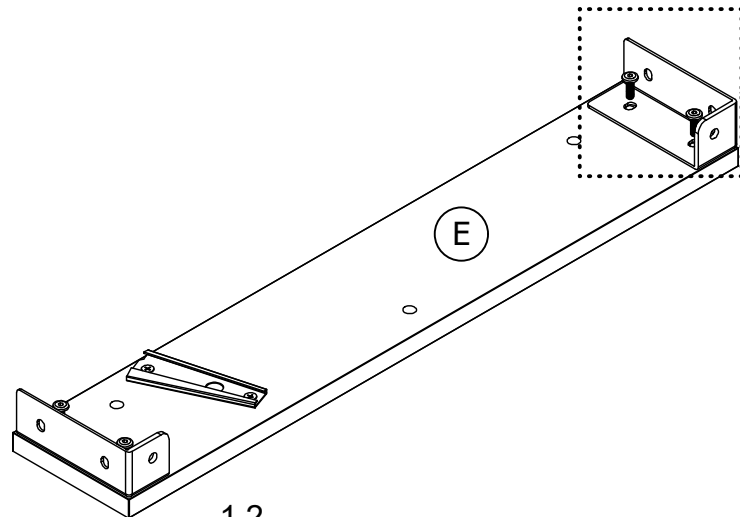
STEP 1:

1.1 Attach Brackets **T** x 2 to Left Plate **D** with Bolt **2**.

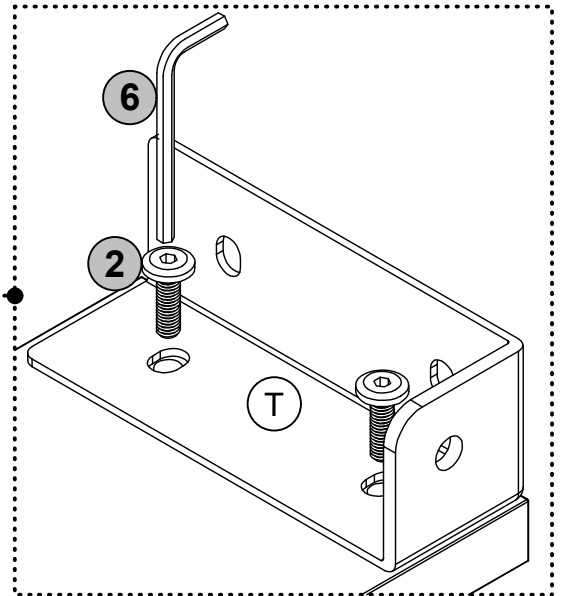
1.2 Attach Brackets **T** x 2 to Right Plate **E** with Bolt **2**, as shown.



1.1



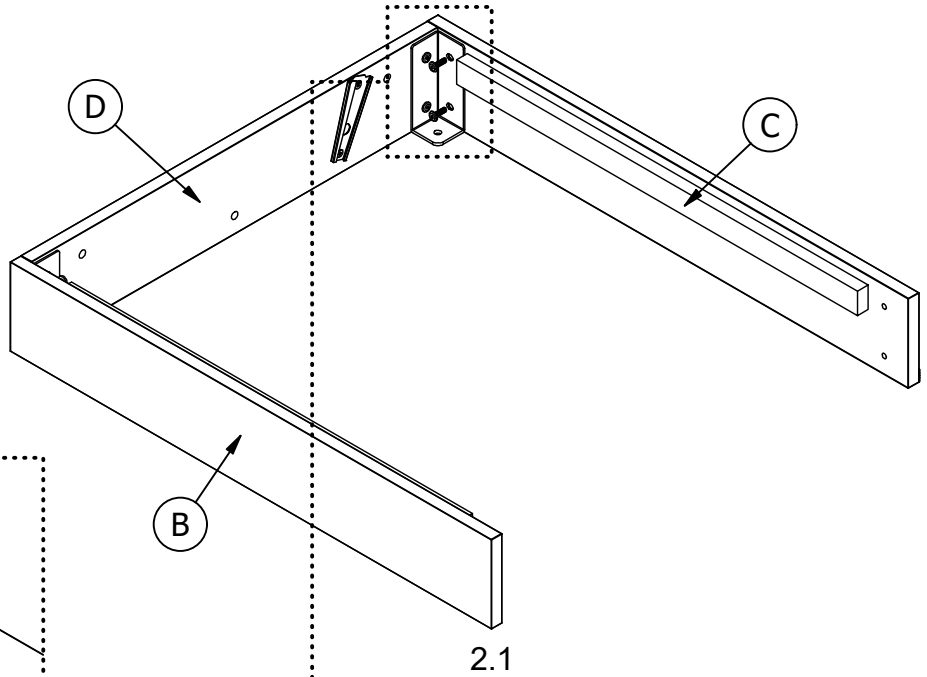
1.2



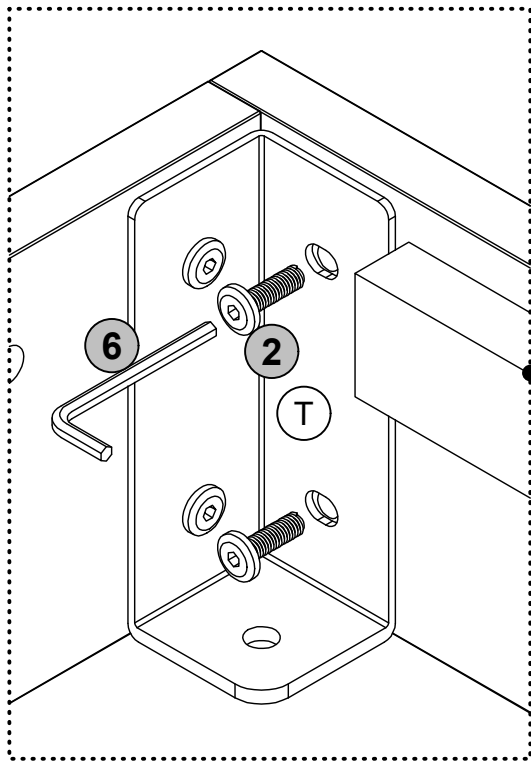
STEP 2:

2.1 Attach Left Plate **D** to Front Plate **B** & Rear Plate **C** using Brackets **T** x 2 with Bolt **2**.

2.2 Attach Right Plate **E** to Front Plate **B** & Rear Plate **C** using Brackets **T** x 2 with Bolt **2**, as shown.



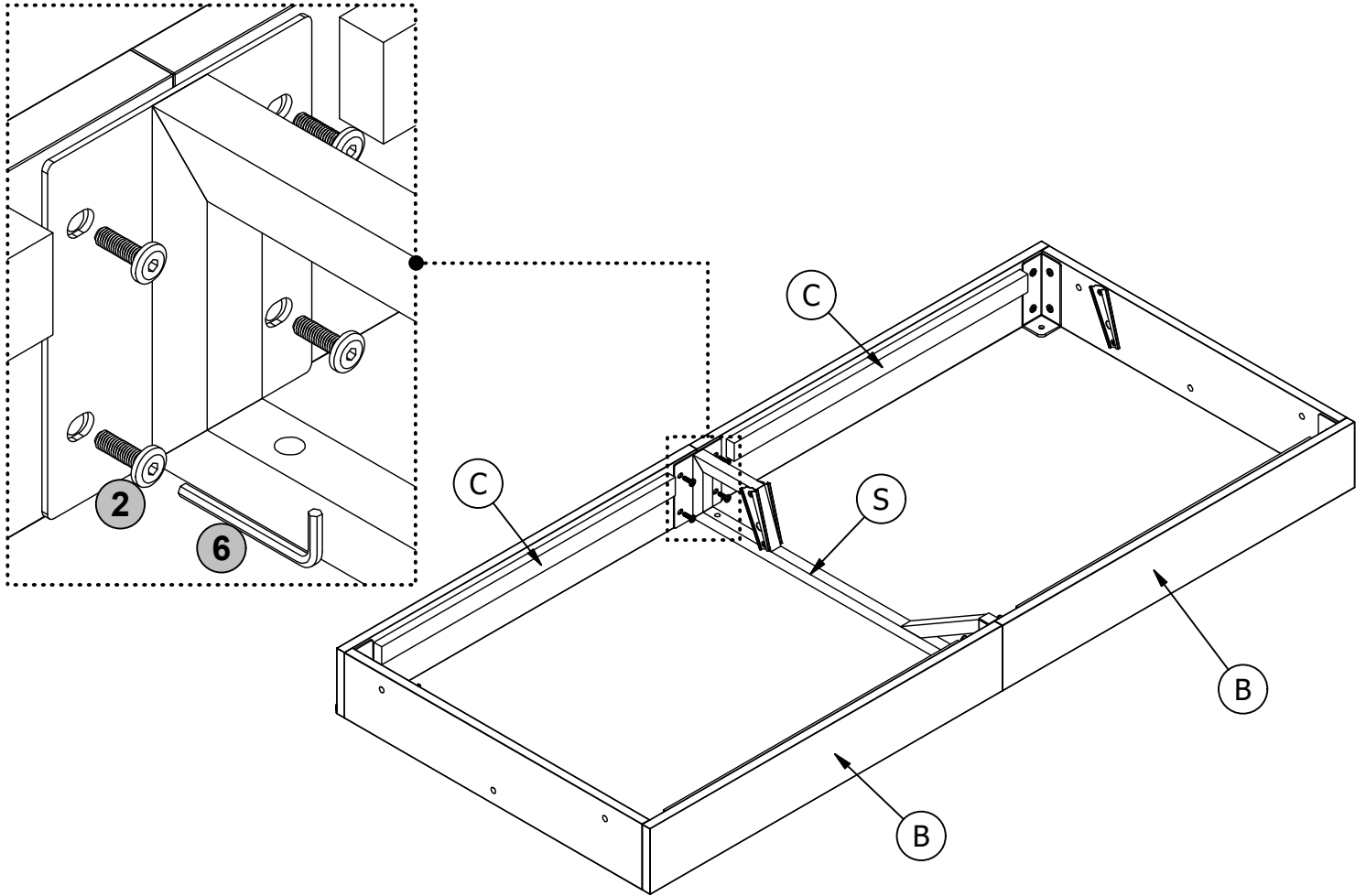
2.1



2.2

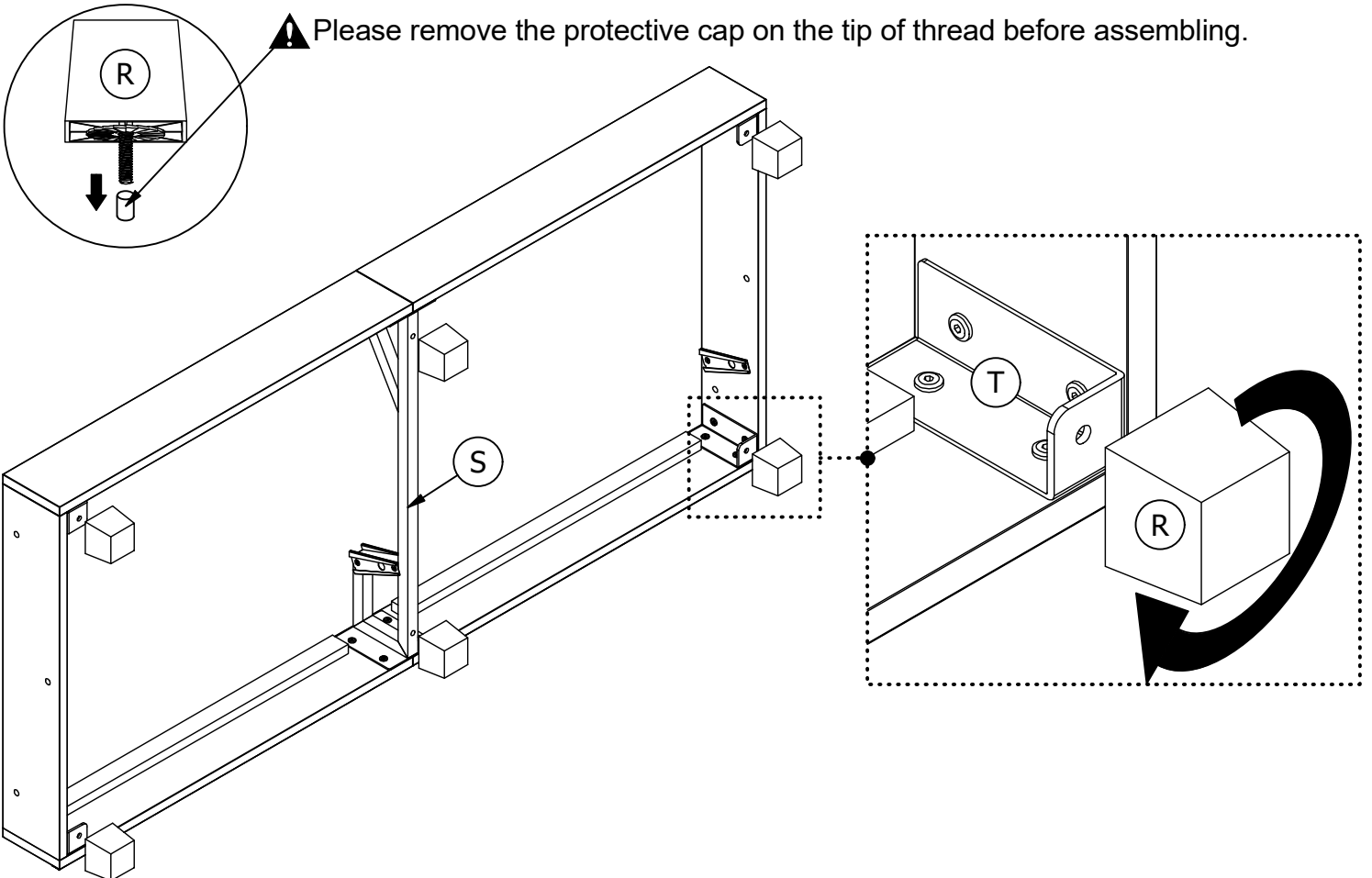
STEP 3:

Attach Front Plate **B** x 2 & Rear Plate **C** x 2 together using Connector **S** with Bolt **2**, as shown.



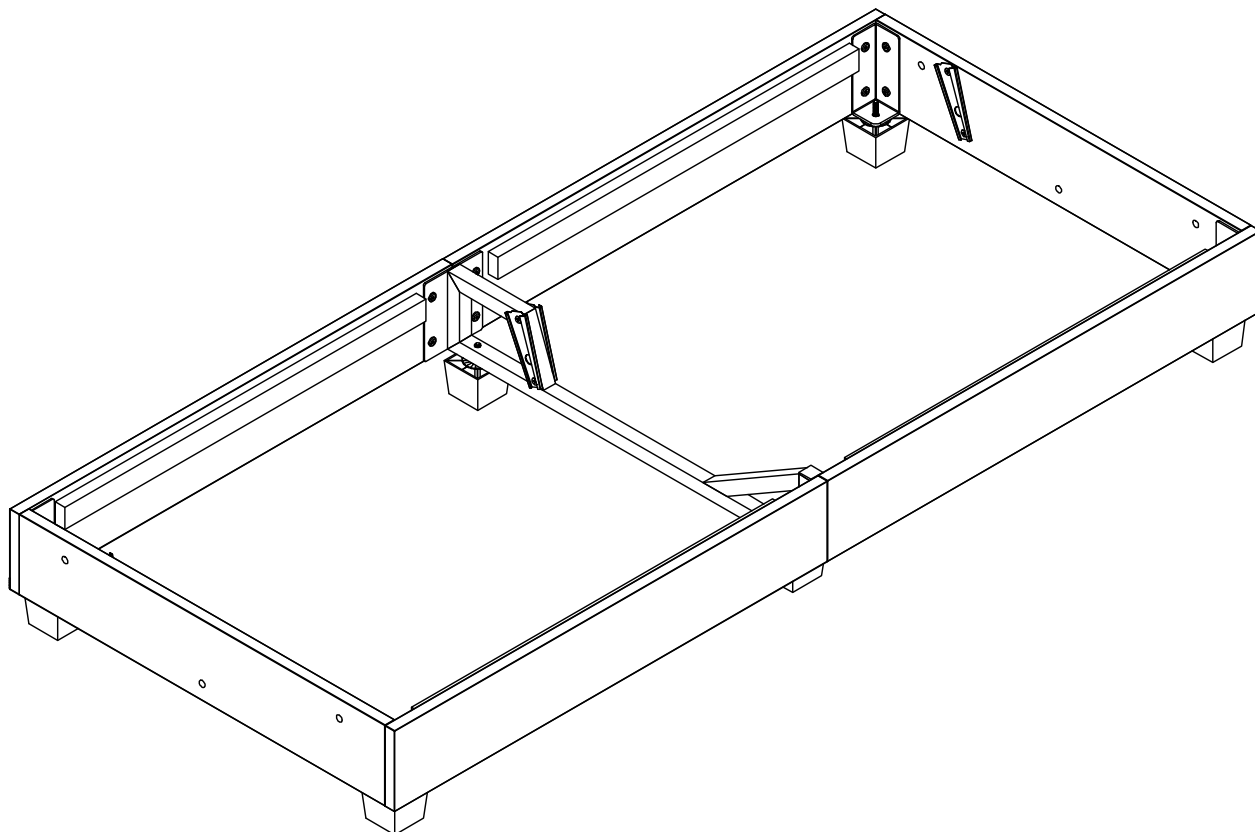
STEP 4:

Manually screw Legs **R** x 6 to Brackets **T** x 4 & Connector **S**, as shown.



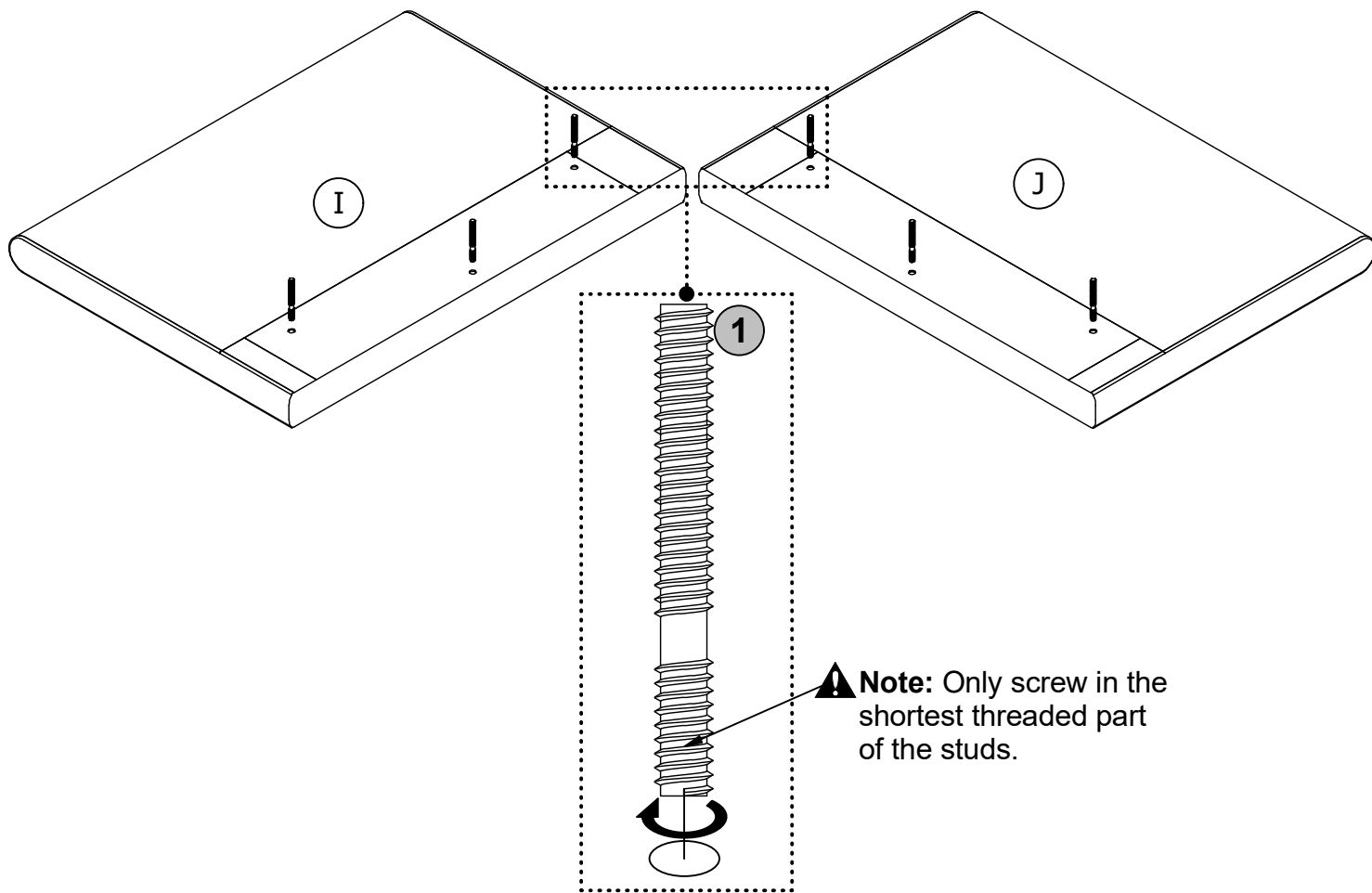
STEP 5:

Repeat steps 1-4 to assemble the other seat, as shown.



STEP 6:

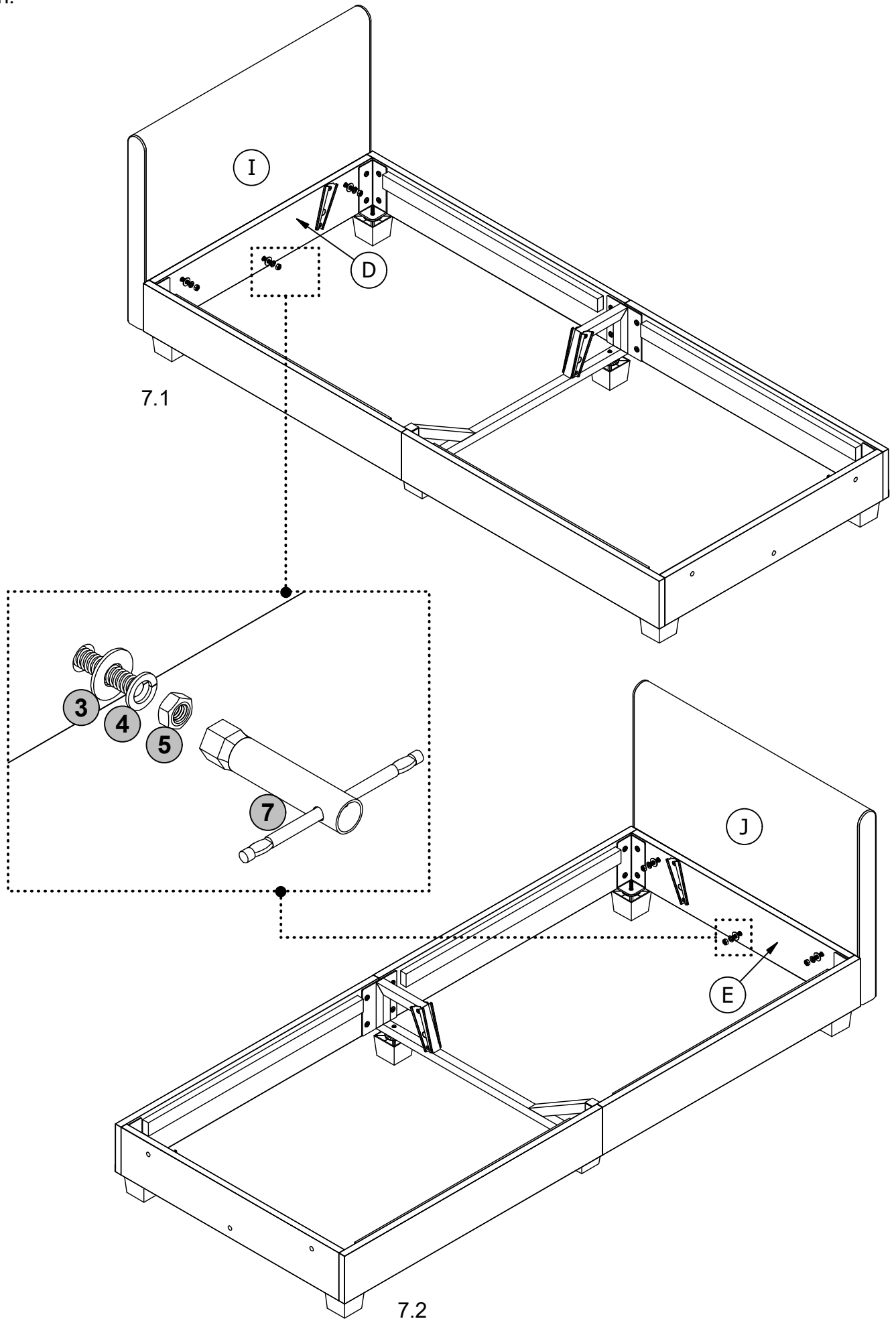
Hand tighten studs **1** into Armrests I & J, as shown.



STEP 7:


7.1 Attach Left Armrest **I** to Left Plate **D** with Flat Washers **3**, Spring Washers **4** and Nuts **5**.

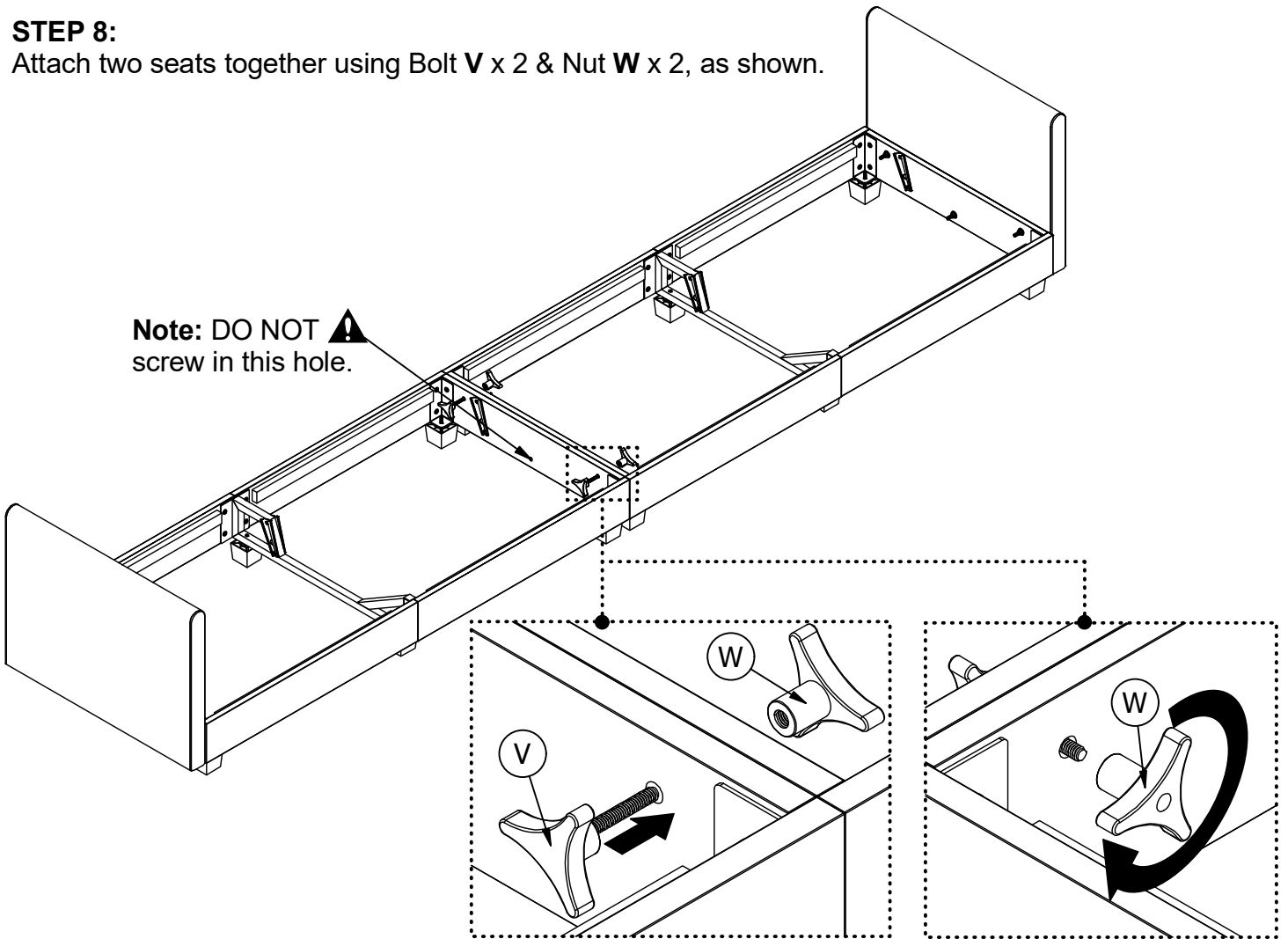
7.2 Attach Right Armrest **J** to Right Plate **E** with Flat Washers **3**, Spring Washers **4** and Nuts **5**, as shown.



STEP 8:

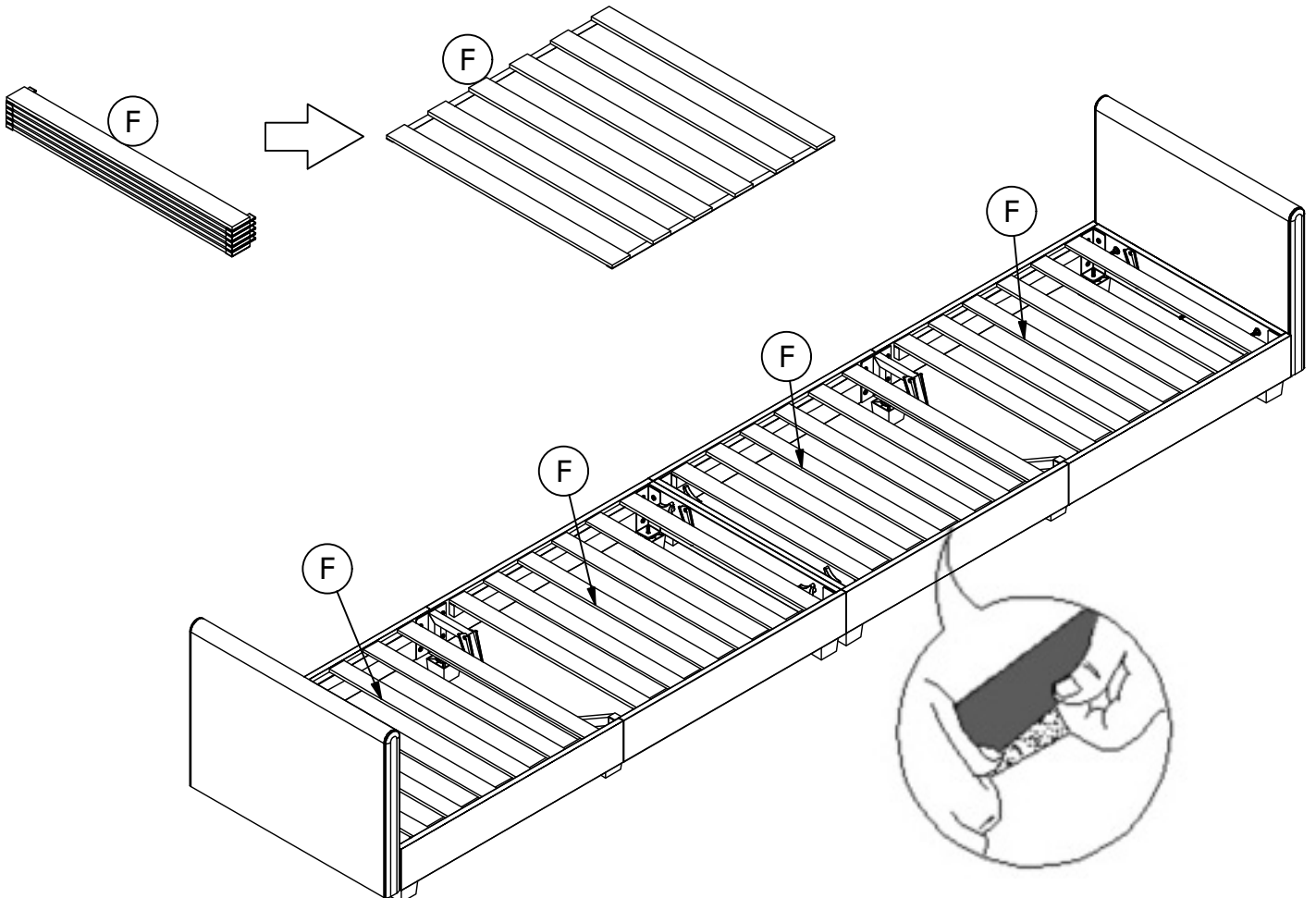
Attach two seats together using Bolt **V** x 2 & Nut **W** x 2, as shown.

Note: DO NOT  screw in this hole.



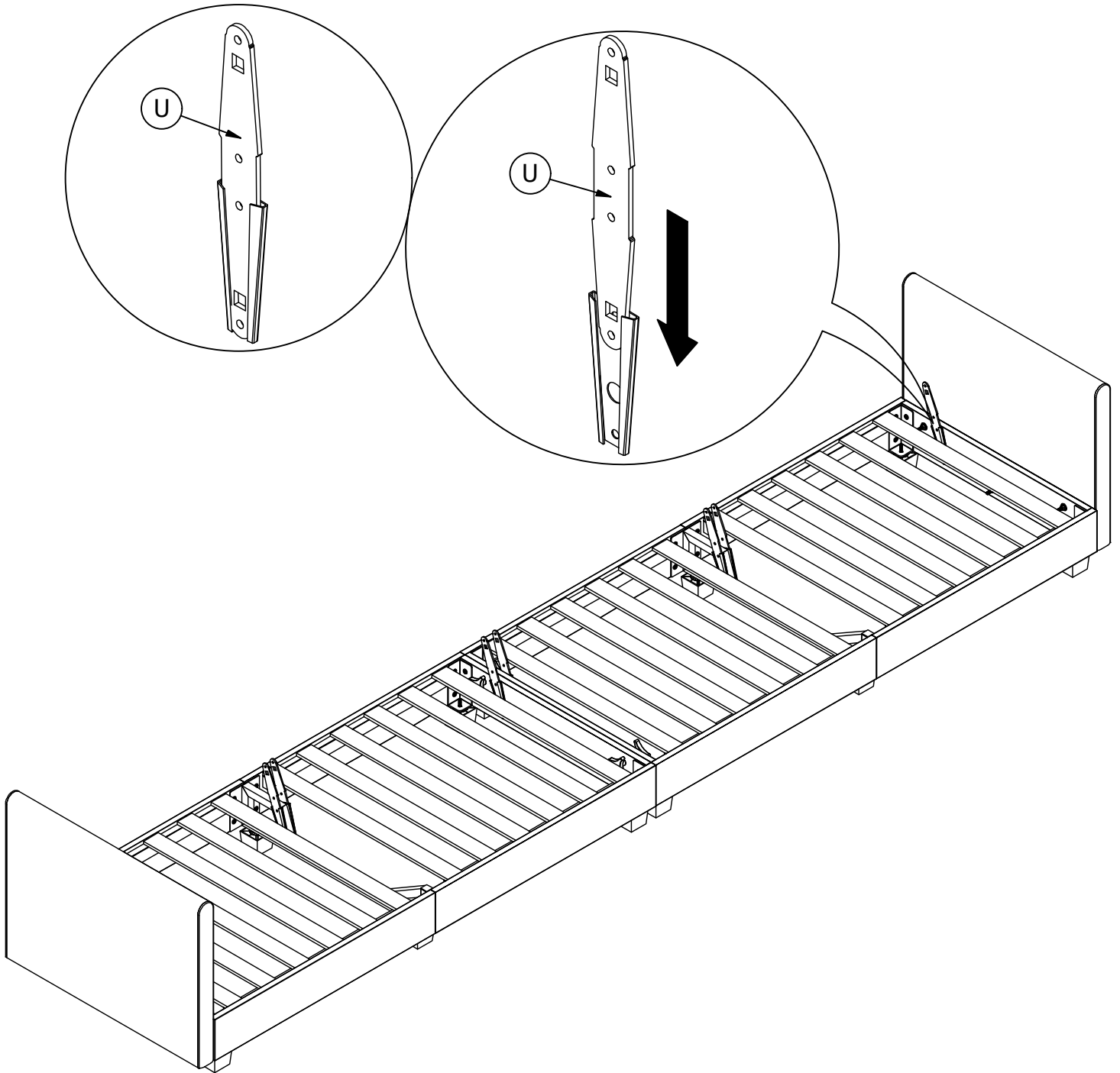
STEP 9:

Unfold Seat Panel **F** x 4. Place Seat Panel **F** x 4 onto the seat using the Velcro strips.



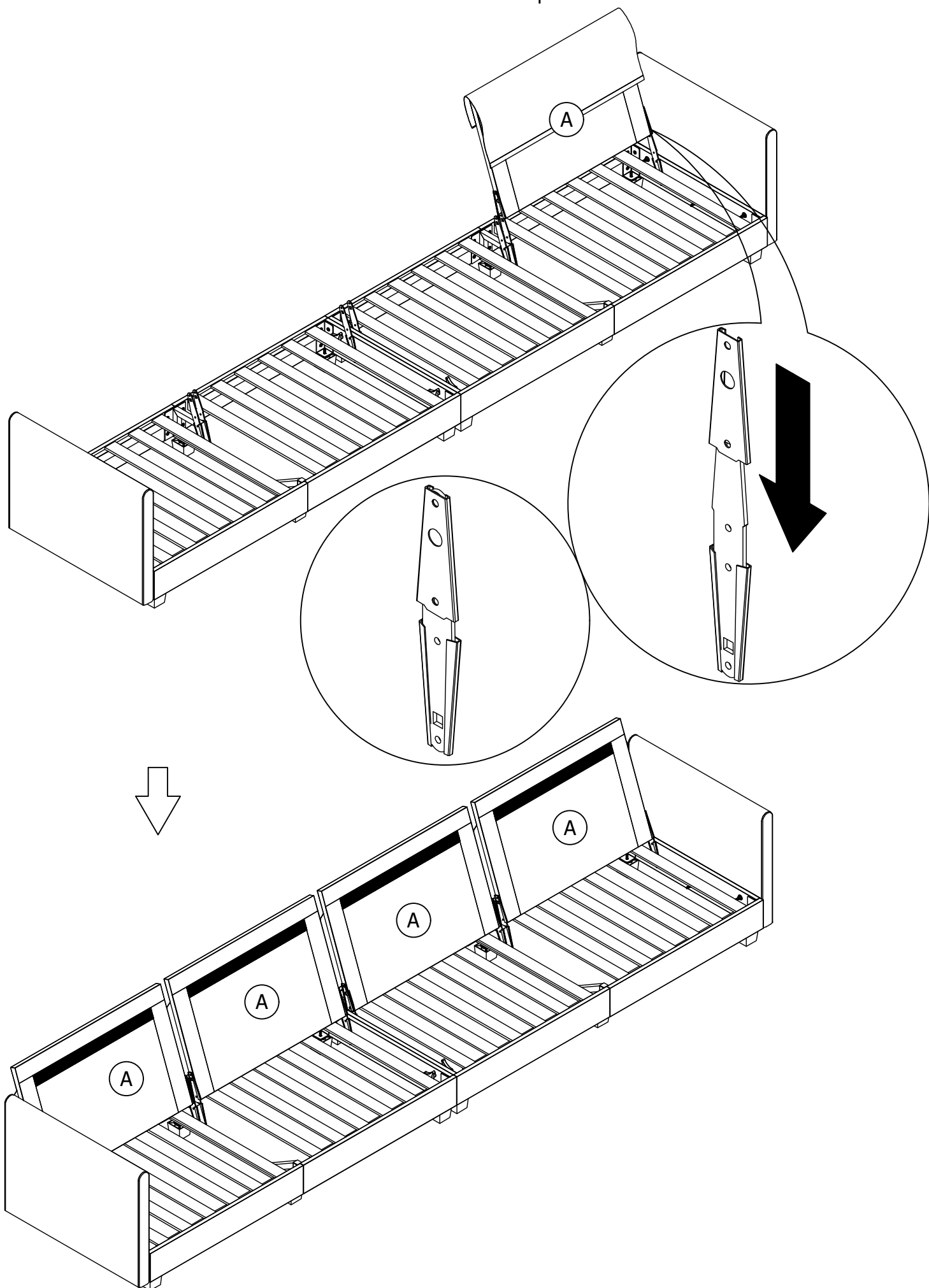
STEP 10:

Inserting Connectors **U** x 8 into the metal glides on Plate **D** & **E** and Connectors **S**, as shown. Push Connector **U** with a downward force to secure it into place.



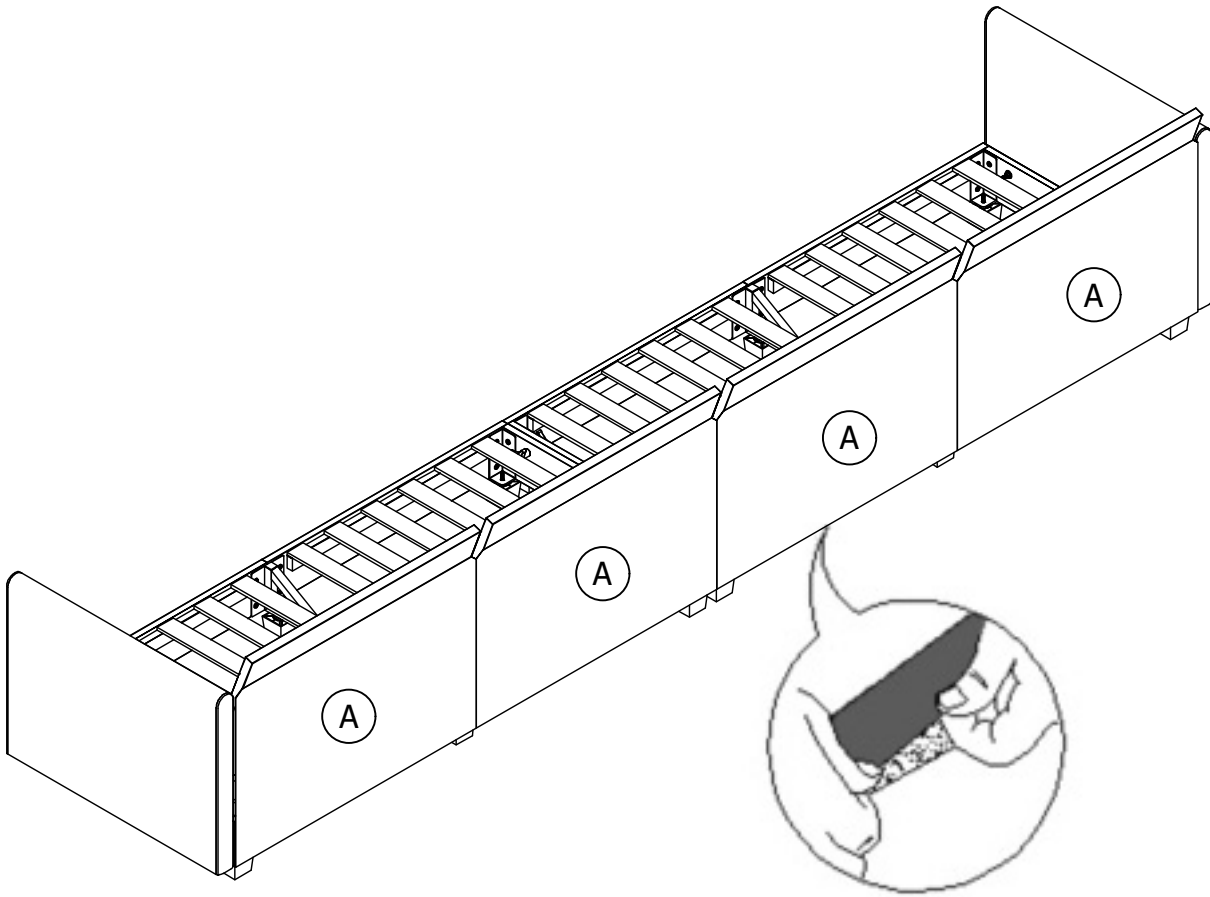
STEP 11:

Inserting Back Frame **A** x 4 onto the seat with Connector **U**, as shown.
Push Back Frame **A** with a downward force to secure it into place.



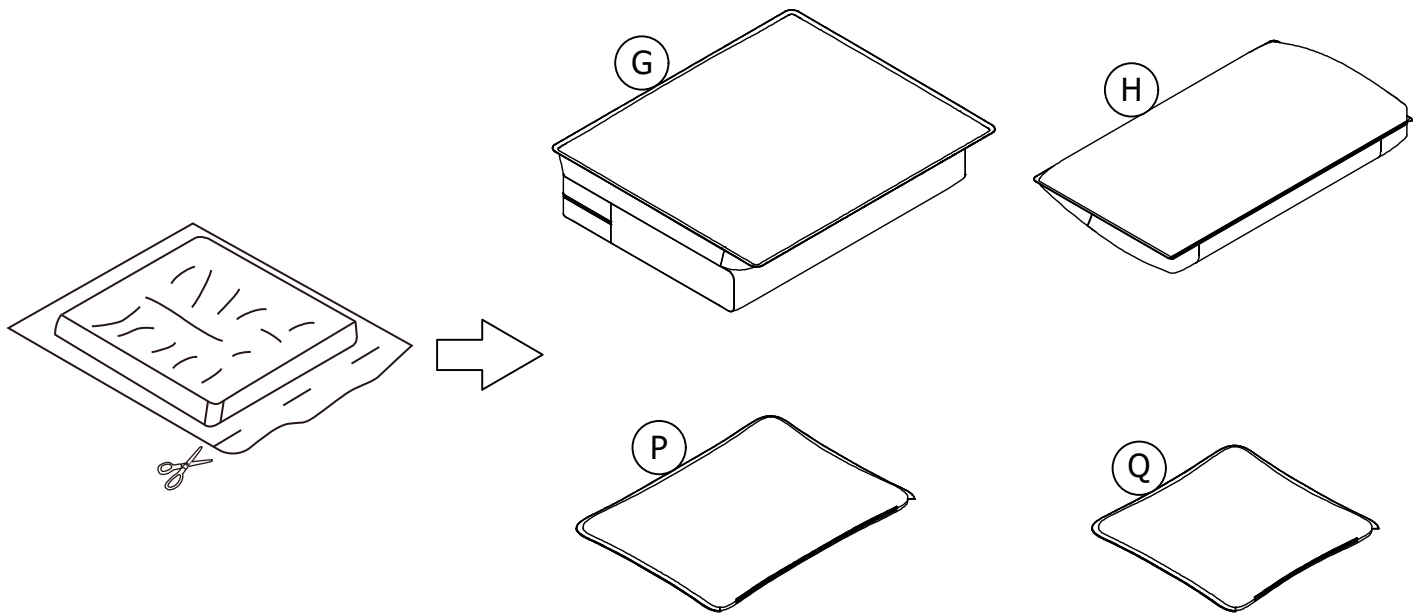
STEP 12:

Stick fabric cover on Back Frame **A** x 4 to Rear Panel **C** x 4 with the velcro strips.



STEP 13:

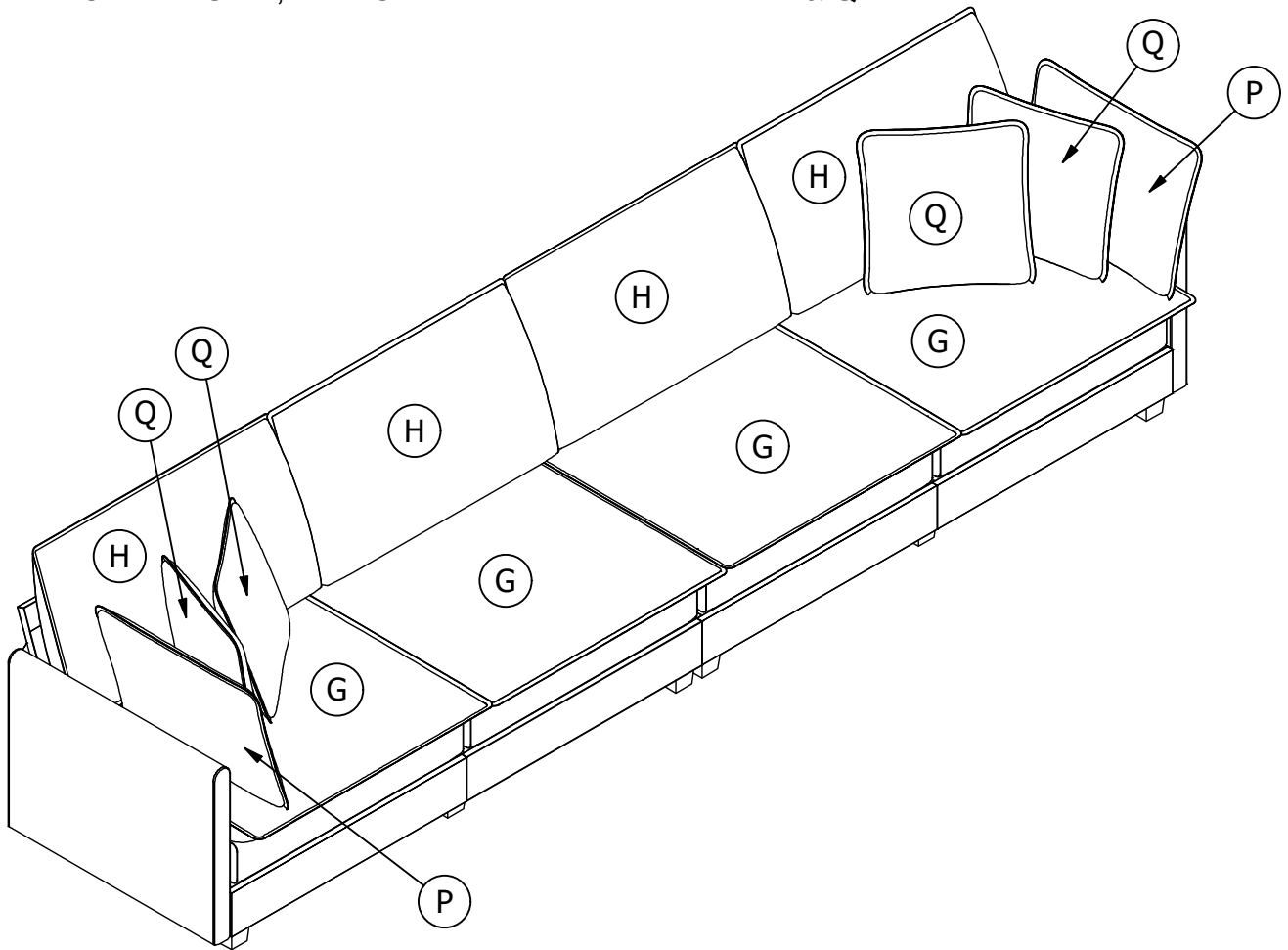
Remove the cushions from their vacuum sealed package, as shown.



! The cushions have been vacuum packed for transportation purposes. After unpacking, please allow up to 72 hours so that they can return to their original shape.

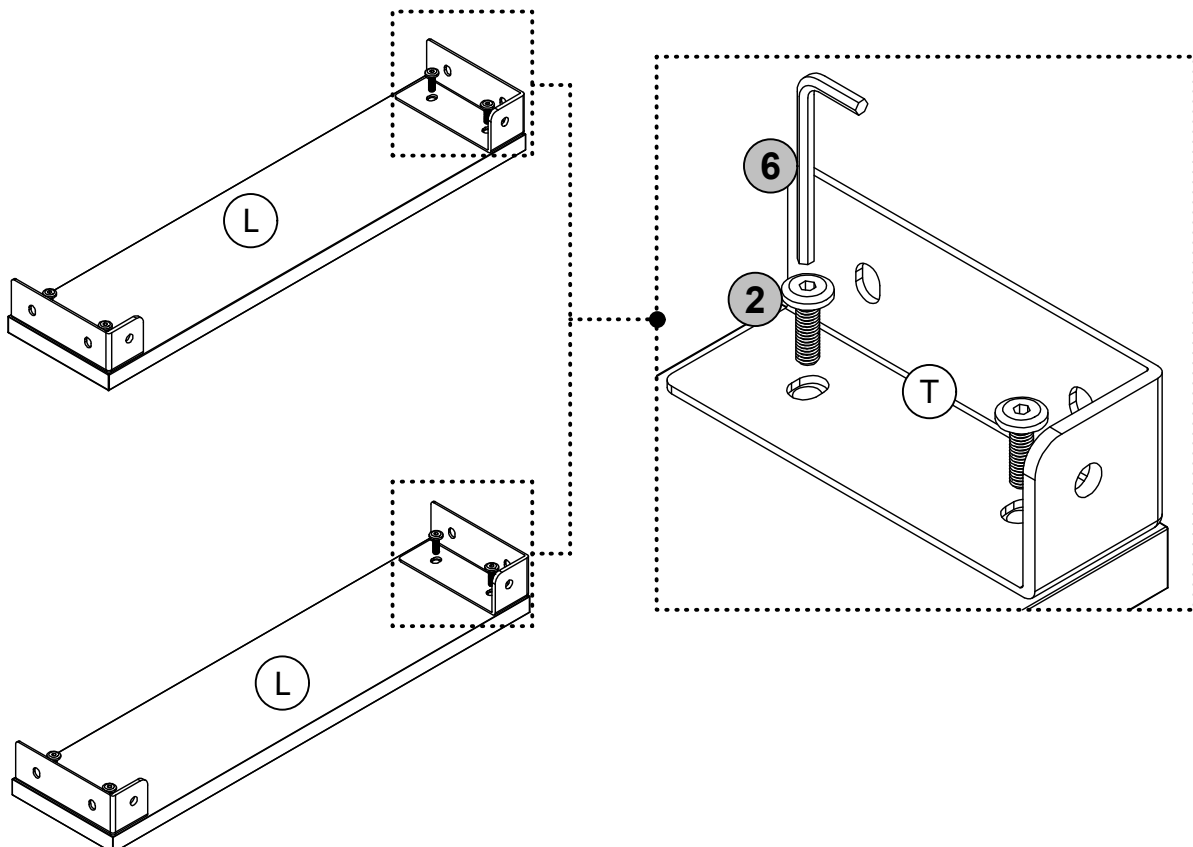
STEP 14:

Place Seat Cushion **G** x 4, Back Cushion **H** x 4 and Pillow **P** x 2 & **Q** x 4 onto the sofa.



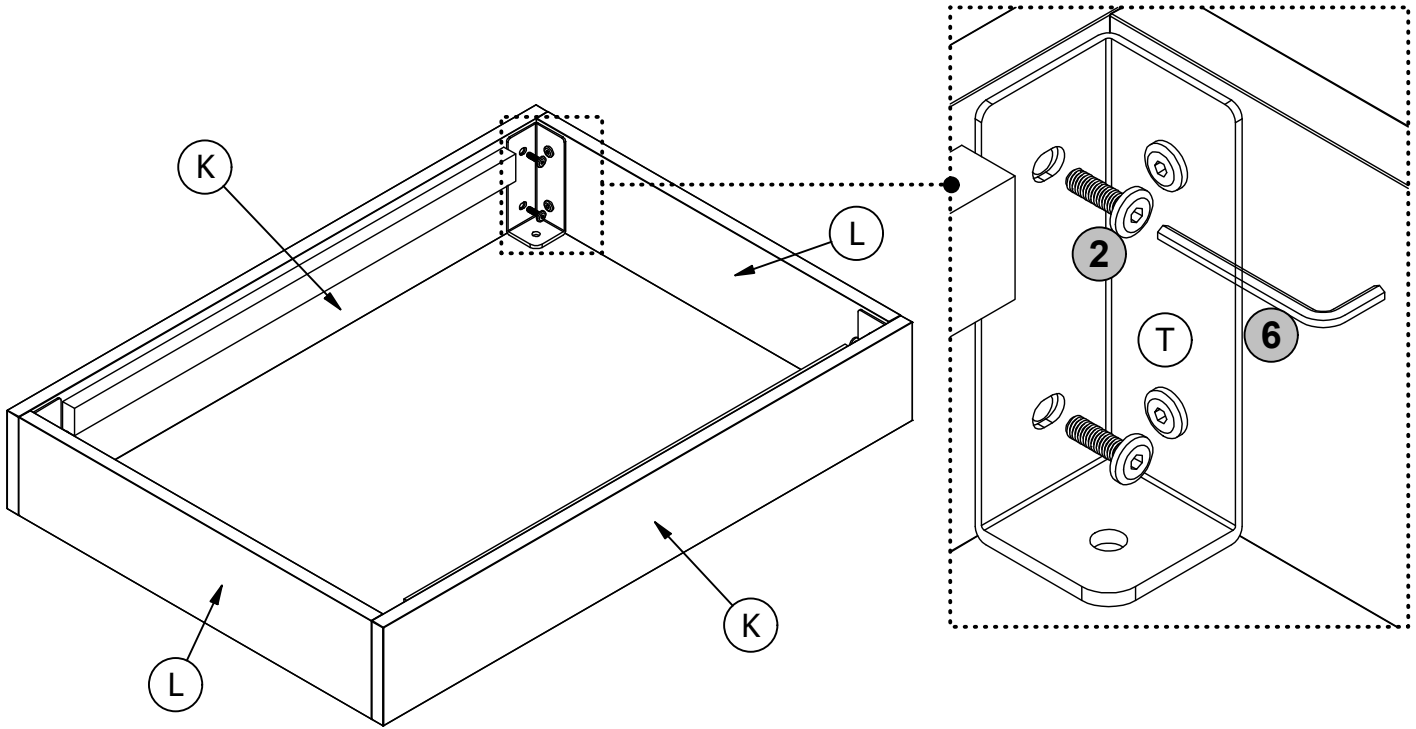
STEP 15:

Attach Brackets **T** x 4 to Ottoman's Side Panel **L** x 2 with Bolt **2**, as shown.



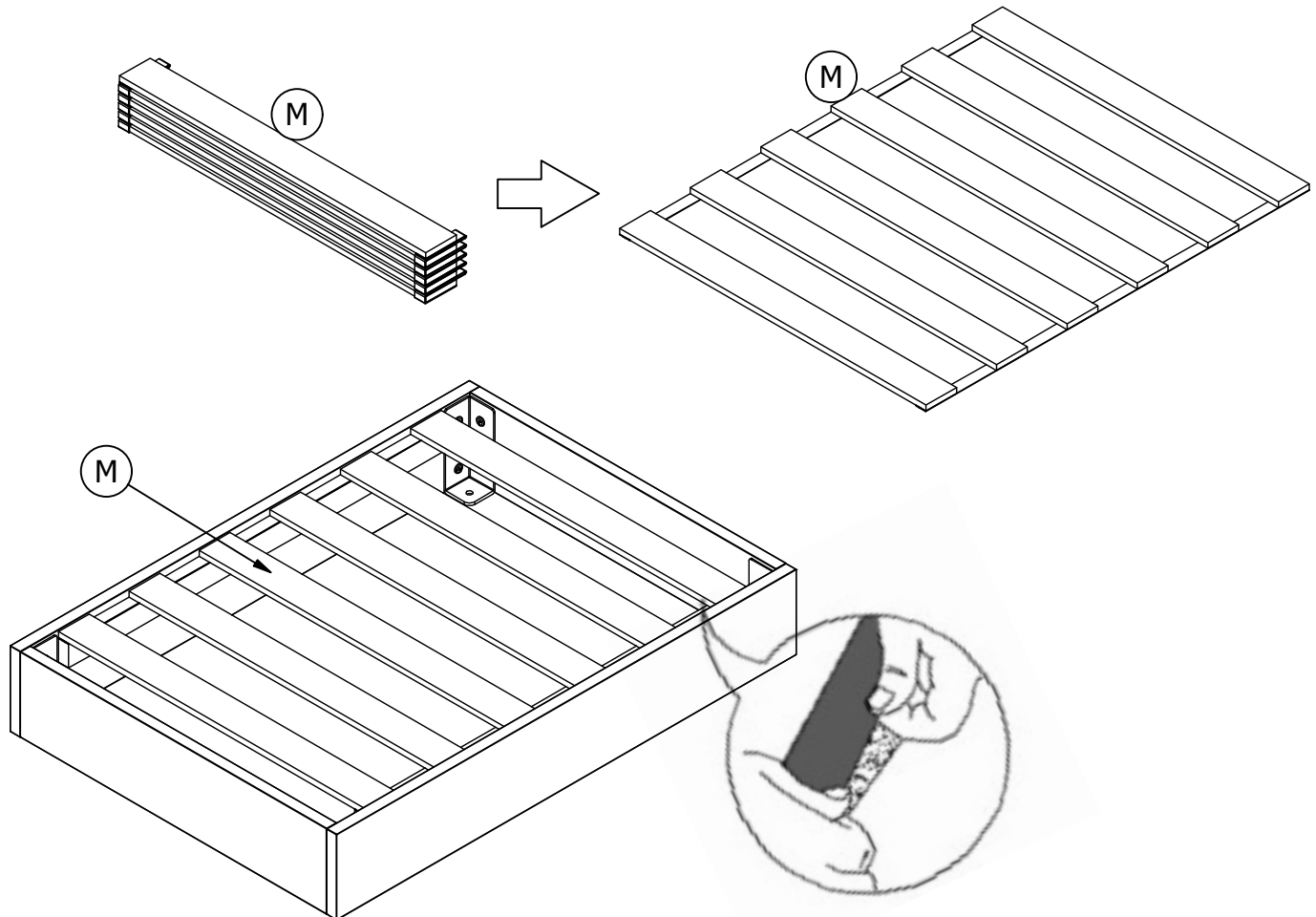
STEP 16:

Attach Ottoman's Side Panel **L** x 2 to Ottoman's Panel **K** x 2 using Brackets **T** x 4 with Bolt **2**, as shown.



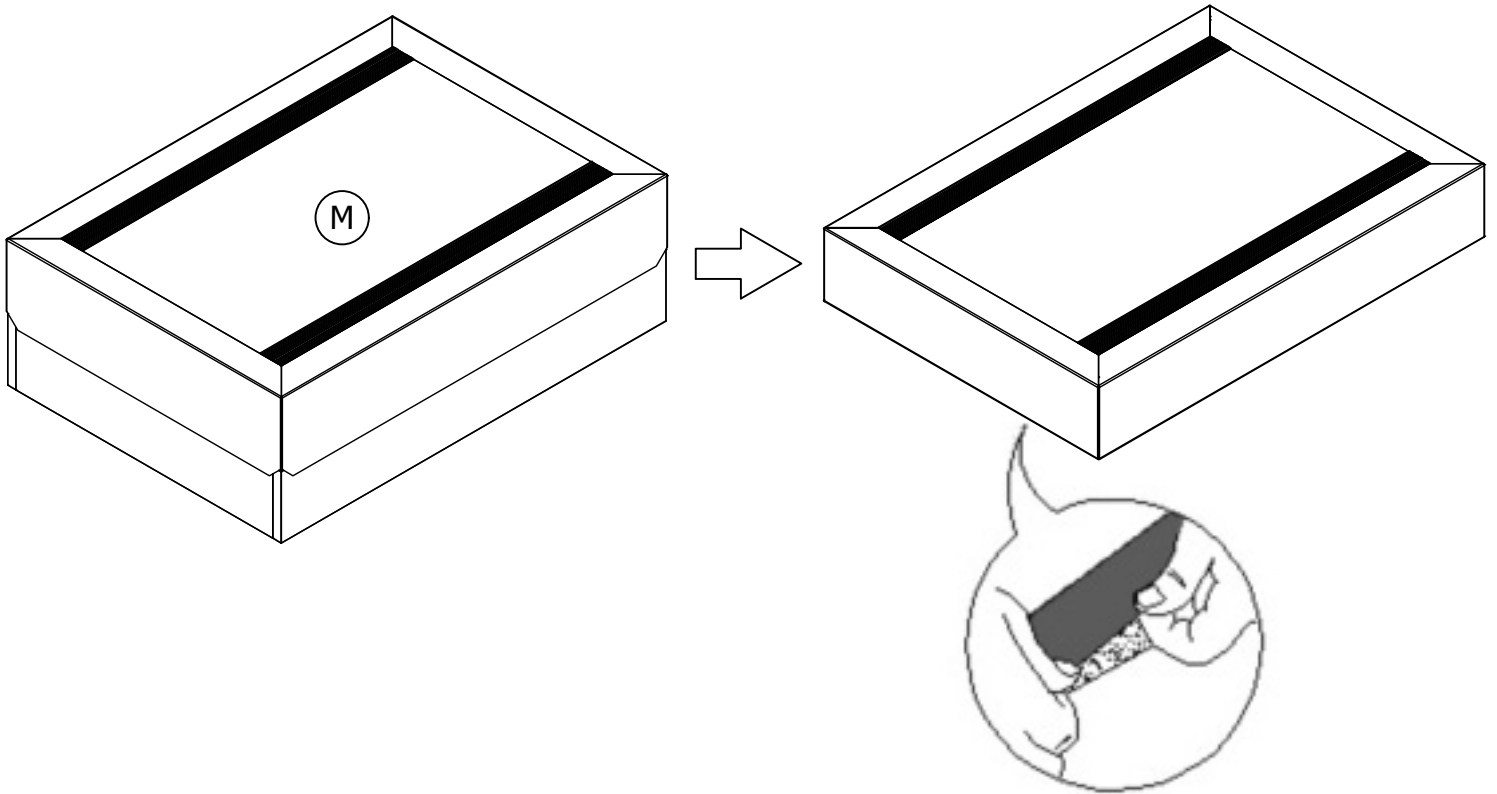
STEP 17:

Unfold Ottoman's Seat Panel **M**. Place Seat Panel **M** onto the seat using the Velcro strips.



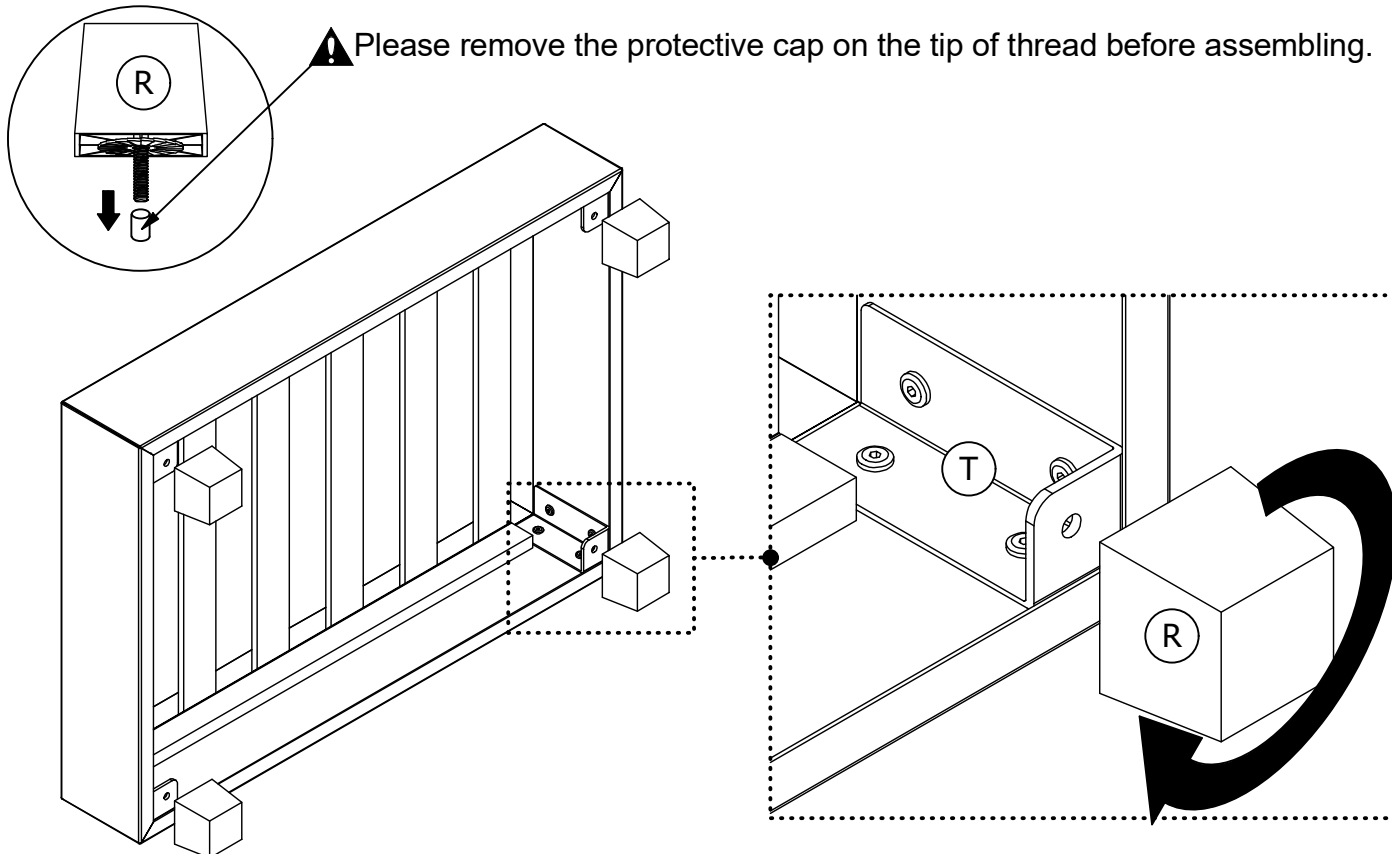
STEP 18:

Put the sofa slipcover **M** on the Ottoman using the Velcro strips.



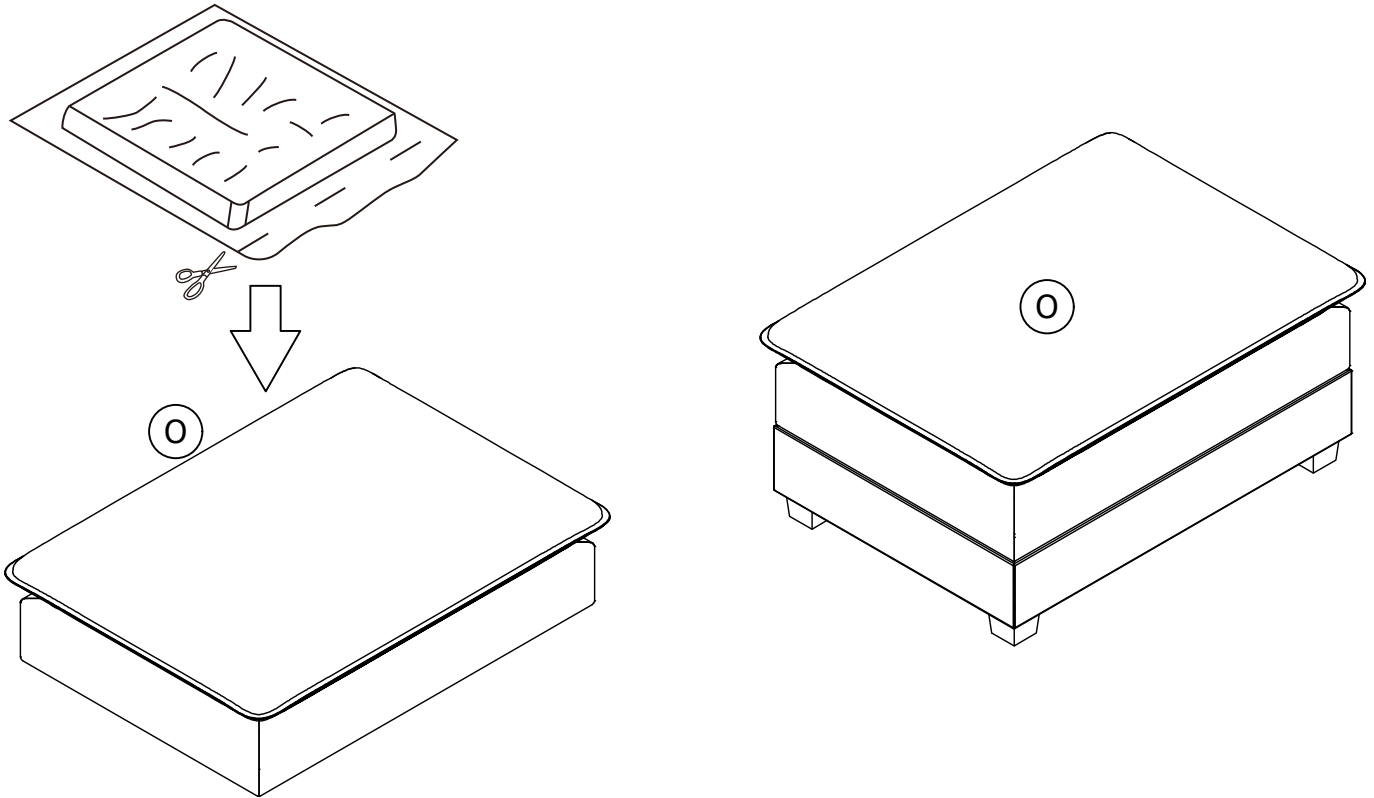
STEP 19:

Manually screw Legs **R** x 4 to Brackets **T** x 4, as shown.



STEP 20:

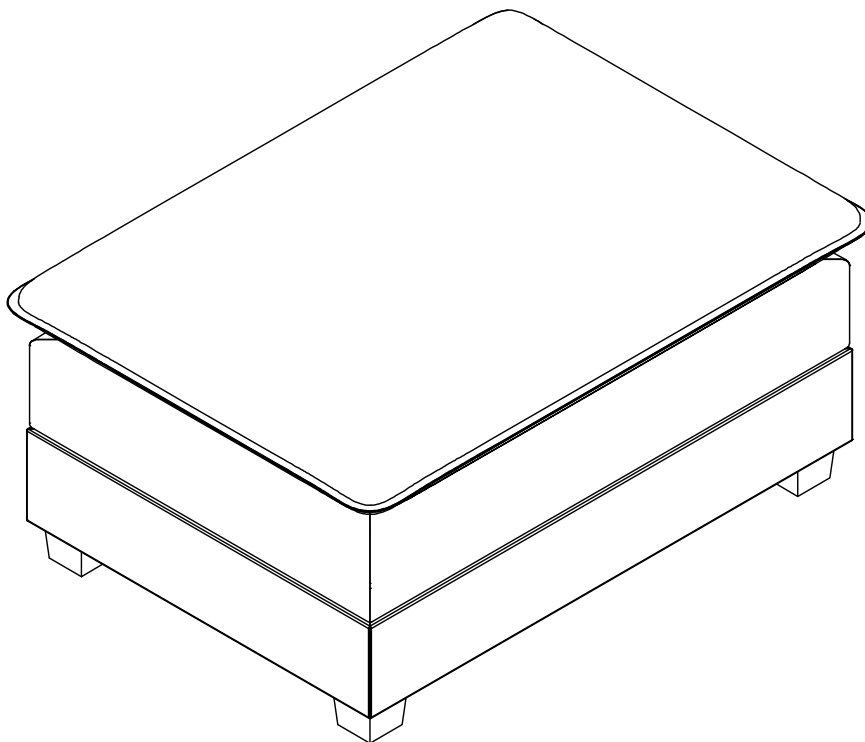
Remove Ottoman's Seat Cushion O from its vacuumed sealed package. Place the Cushion onto the Ottoman using the Velcro strips.



⚠ The seat cushion has been vacuum packed for transportation purposes. After unpacking, please allow up to 72 hours so that they can return to their original shape.

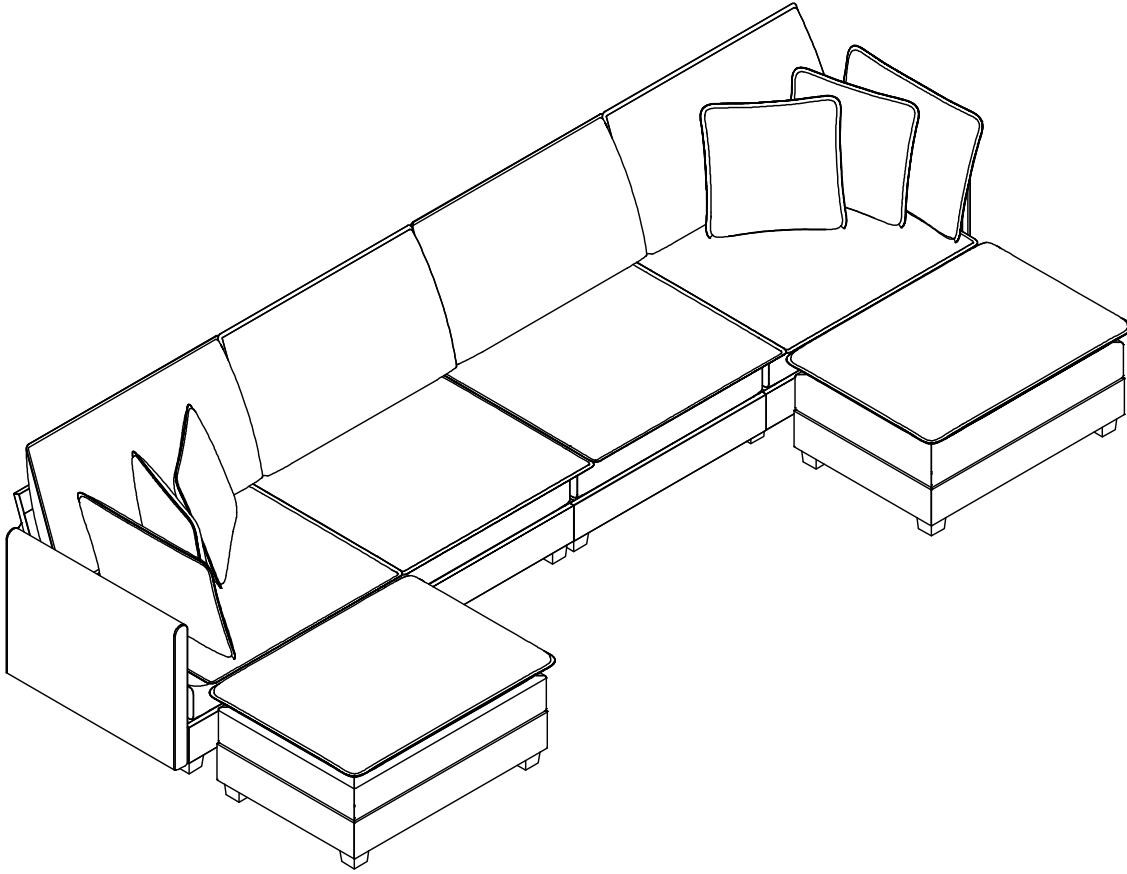
STEP 21:

Repeat steps 15-20 to assemble the other ottoman, as shown.



STEP 22:

Place the two ottomans in front of the assembled sofa.



Helpful Hints

- Move your new furniture carefully, with two people lifting and carrying the unit to its new location.
- Your furniture can be disassembled and reassembled to move.
- Clean the product with a soft damp cloth. DO NOT use harsh chemicals or abrasive cleaners.
- For further information please contact at sales4@jsanyee.com

