

Per Seat Weight Limitation

**100 LBS**

Thank You For Choosing Our Furniture

**NOTE:**

This brochure contains  
**IMPORTANT** safety info.  
Please read and keep it  
for future reference.

# MAINTAINANCE AND WARNINGS



## Before You Start

### *Please follow the steps below:*

- ⚠ Check the packaging for any damage, deformation, or water stains. If there is significant damage, please contact us promptly.
- ⚠ Open the packaging and confirm that the panels, hardware, screws, etc are complete.
- ⚠ Please read the installation instructions carefully to understand the installation steps and precautions to ensure proper installation.
- ⚠ Clean the installation area in advance and ensure the ground is level and there is enough space to avoid damaging the furniture or making installation difficult.
- ⚠ Lay a protective mat on the ground to prevent scratching the floor during installation.

### *After-Sales Service*

- If you encounter any issues or need technical support during use, please contact our after-sales team. We offer long-term maintenance and warranty services.



## Precautions

- ⚠ This product for indoor use only. Do not expose it to outdoor elements or high-humidity environments.
- ⚠ Keep the product away from high heat or open flames to prevent fire hazards.
- ⚠ Do not allow children to climb on the product to prevent personal injury caused by tipping



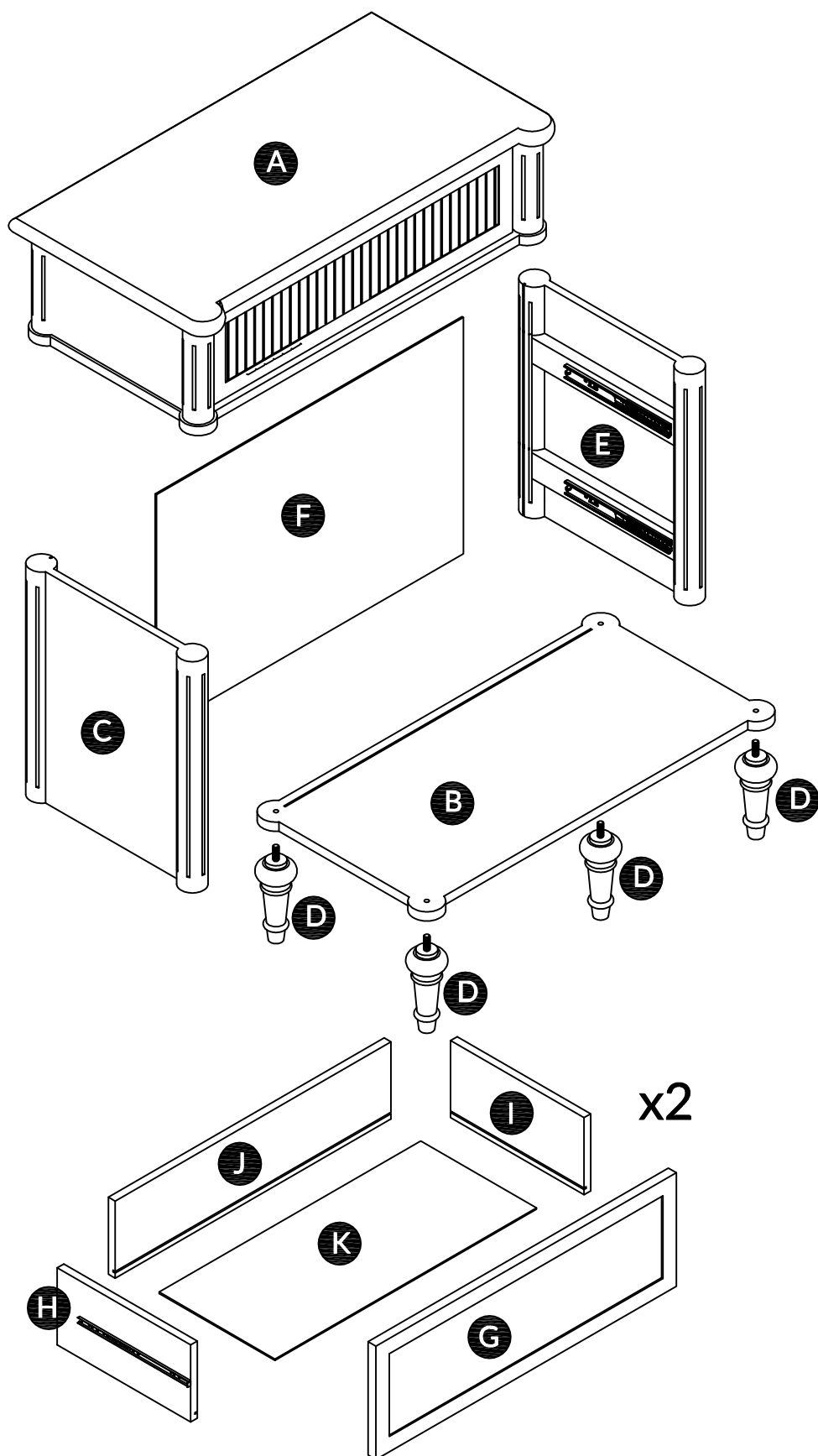
## Safety Warnings

- ⚠ If you notice any loose or damaged parts, stop using the product immediately and contact customer service.
- ⚠ Do not attempt to disassemble or replace any components yourself, as this may affect the stability and safety of the product.

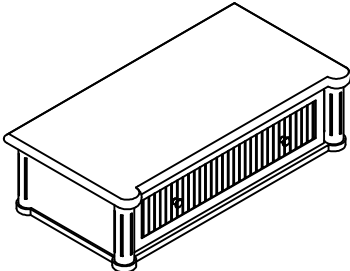
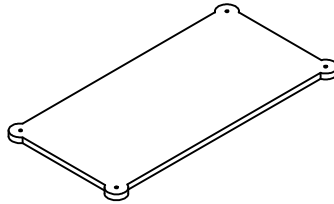
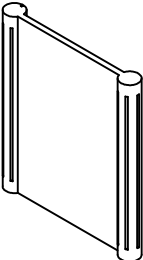
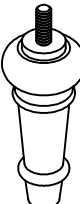
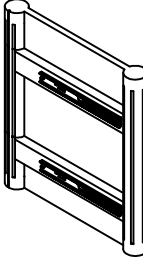
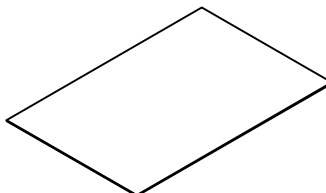
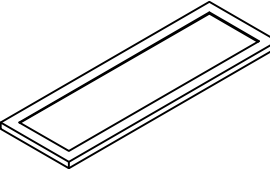
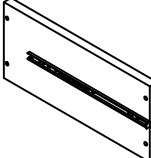
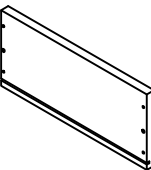
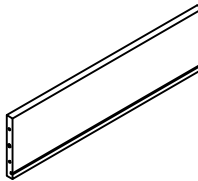
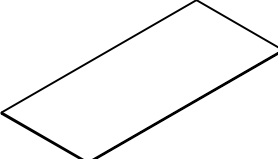
### ***Daily Maintenance***

- Regularly clean the surface of the sofa with a soft cloth to prevent dust accumulation.
- Do not use cleaning agents containing acids, alkalis, or corrosive substances, as they may damage the surface. It is recommended to use neutral cleaning agents or specialized furniture cleaners
- Avoid exposing furniture to humid environments for extended periods to prevent swelling or deformation of the boards. Use a dehumidifier or desiccant during humid weather.
- Avoid direct contact of furniture with water. If water is accidentally spilled, wipe it dry immediately.
- Avoid placing excessively heavy objects on the furniture: ensure the weight is within a reasonable load-bearing range.
- Avoid using sharp or rough items on the furniture surface to prevent scratches, Handle items gently when moving them

**Explosive view**

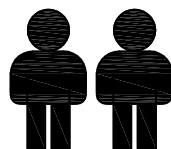


# Parts list

<b>A</b>  x1	<b>B</b>  x1	
<b>C</b>  x1	<b>D</b>  x4	<b>E</b>  x1
<b>F</b>  x1	<b>G</b>  x2	<b>H</b>  x2
<b>I</b>  x2	<b>J</b>  x2	<b>K</b>  x2

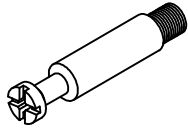

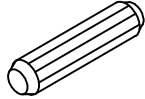
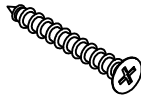
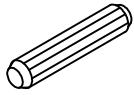
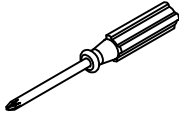
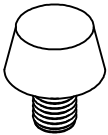





Installation:  
30minutes.



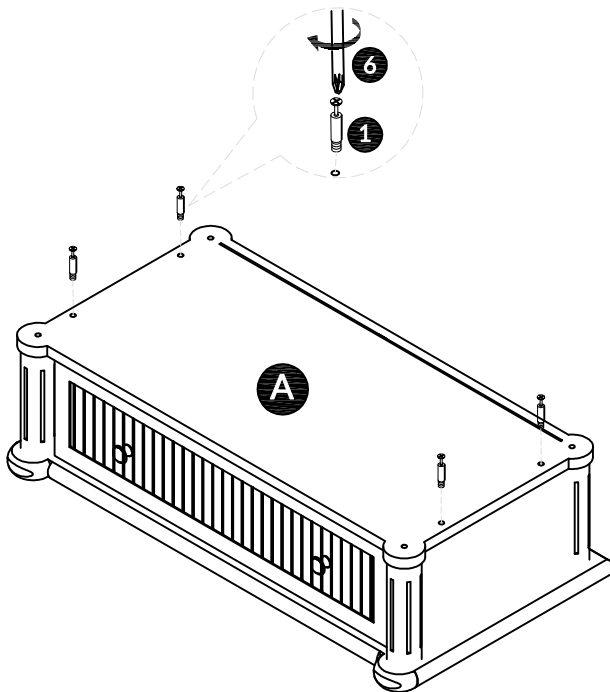
Two Person

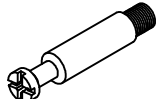
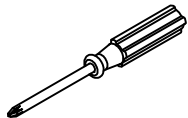
## Hardware List

<b>1</b>	x4	<b>2</b>	x4	<b>3</b>	x4	<b>4</b>	x16+2	<b>5</b>	x4+1
									
D6x35mm		D15x11mm		D8x30mm		D3x35mm		M6x30mm	
<b>6</b>	x1	<b>7</b>	x4	<b>8</b>	x1	<b>9</b>	x4	<b>10</b>	x4
									
								M4x20mm	

## Step 1

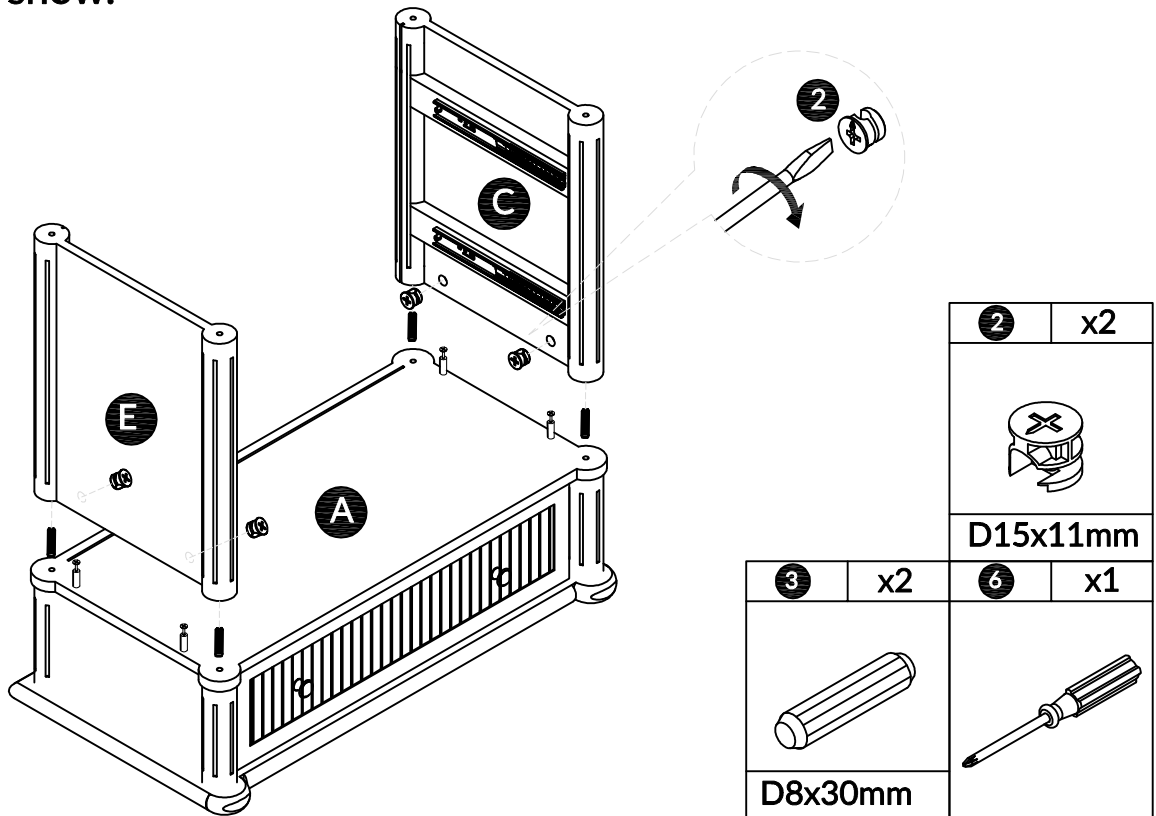
Insert 1 into the top panel(A) as picture show.



<b>1</b>	x4	<b>6</b>	x1
			
D6x35mm			

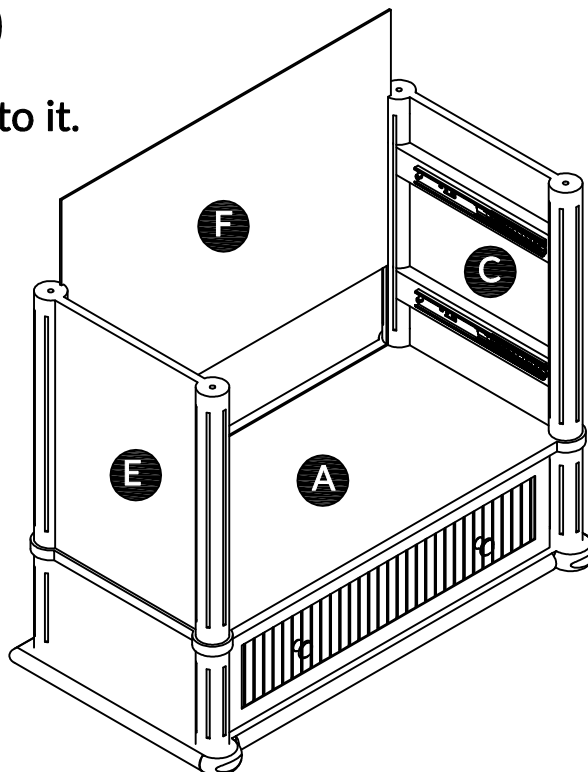
## Step 2

Insert side panel (C/E) into the corresponding hole of top panel(A) , make sure all holes aligned and use combiner 2 and 6 to tighten it as picture show.



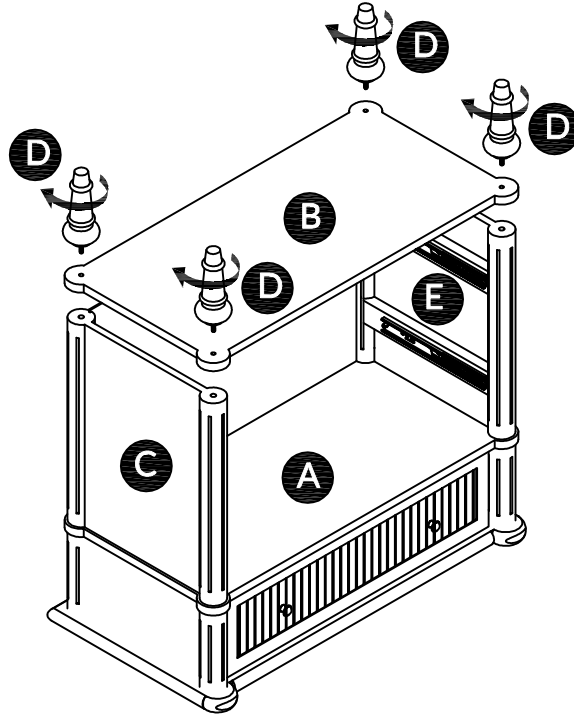
## Step 3

Attach panel(F) to it.



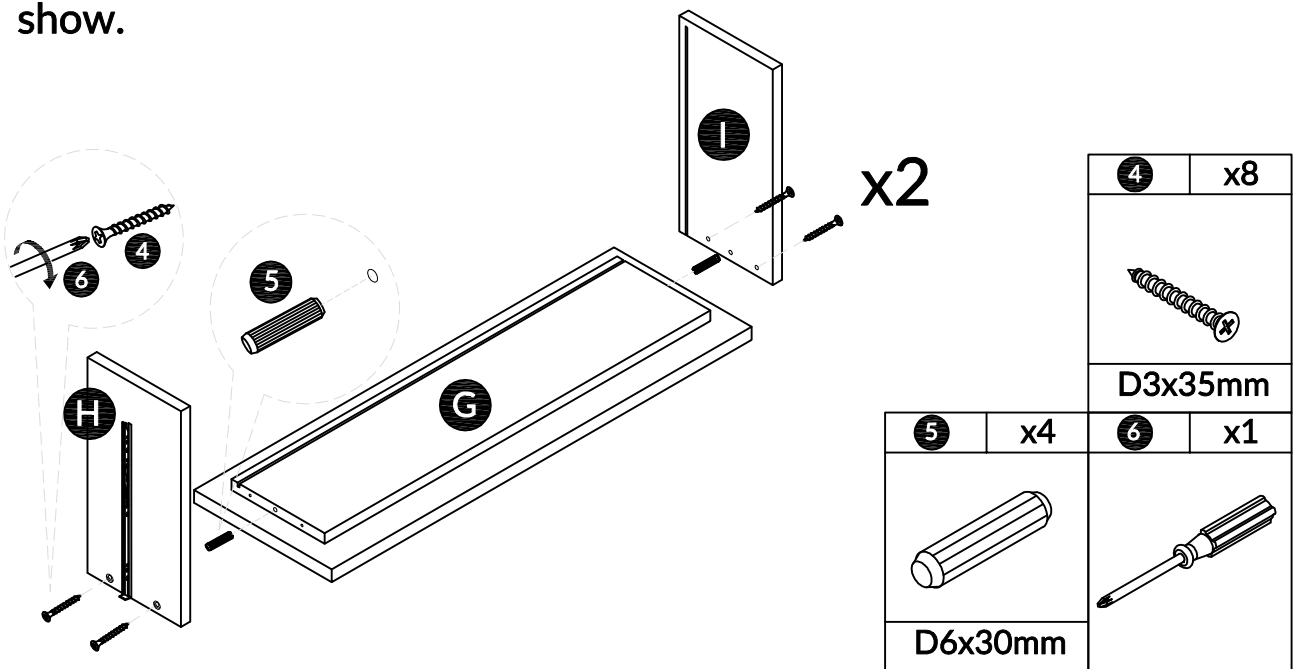
## Step 4

Insert leg (D) into the corresponding hole of bottom panel (B), make sure all holes aligned as picture show.



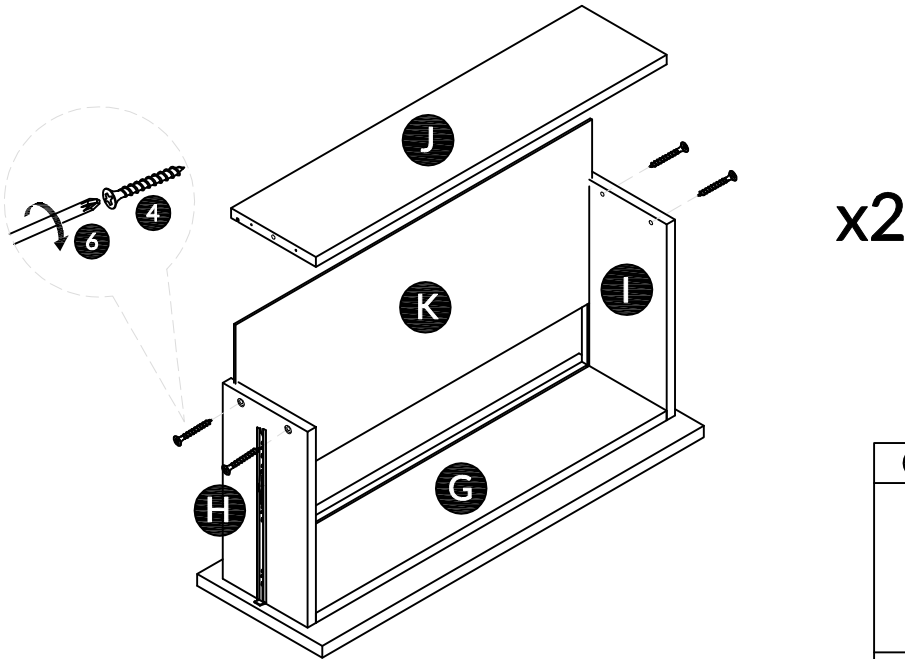
## Step 5

Insert side panel (H/I) into the corresponding hole of panel (G), make sure all holes aligned and use 4 and 5 to tighten it as picture show.



## Step 6

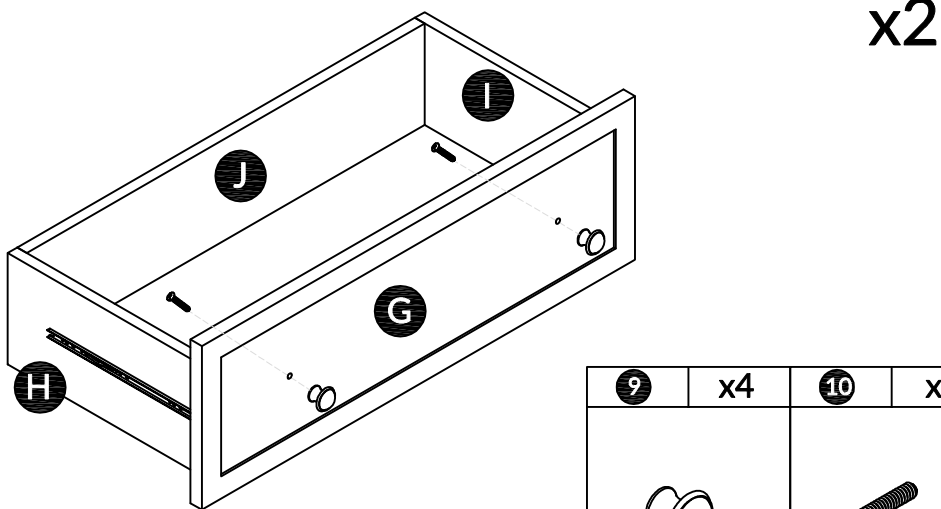
Insert side panel (J) into the corresponding hole of panel (H/I) , make sure all holes aligned and use 4 to tighten it as picture show.



4	x8	6	x1
D3x35mm			

## Step 7

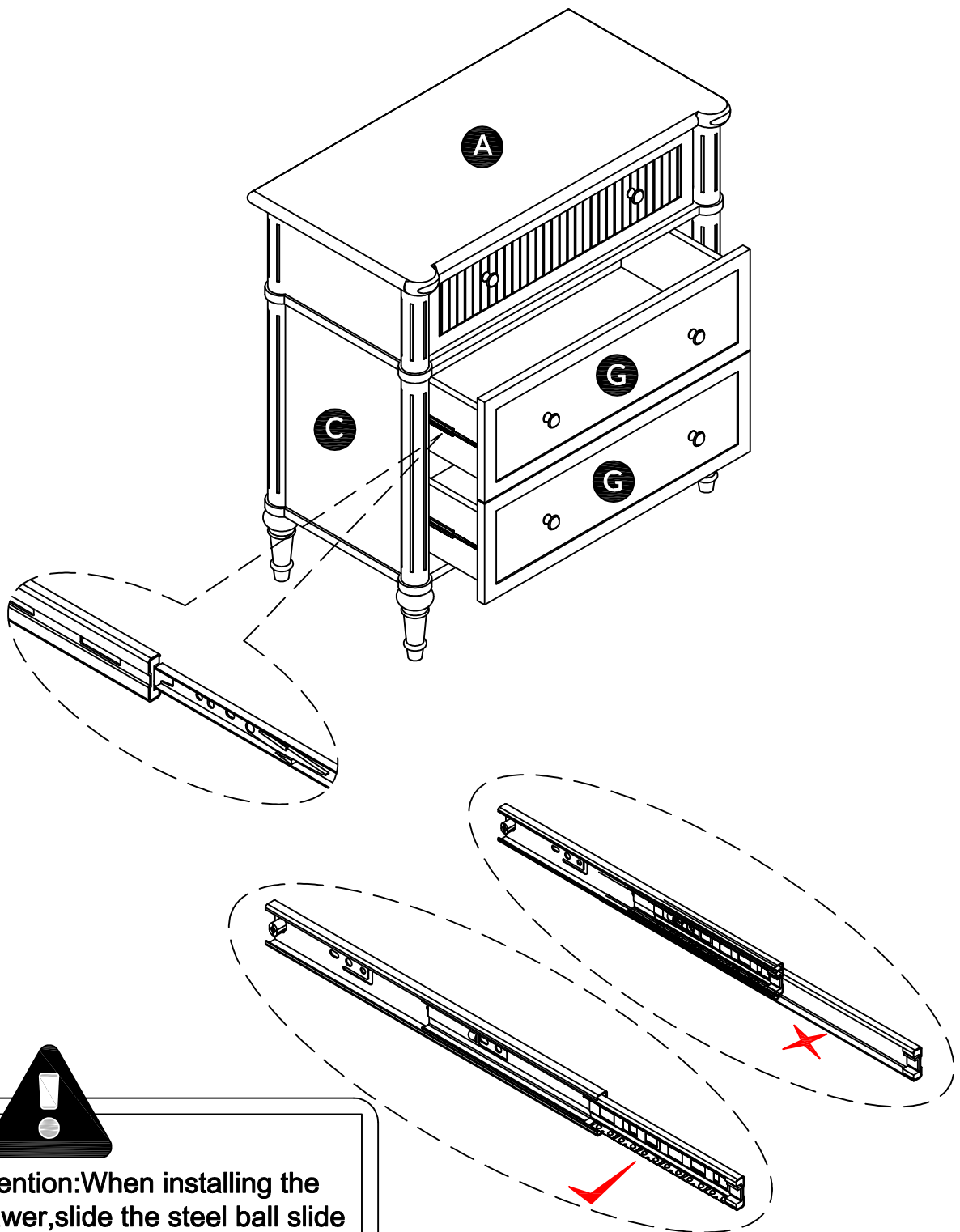
Use (9/10) into the corresponding hole of panel (G), make sure all holes aligned as picture show.



9	x4	10	x4	6	x1
		M4x20mm			

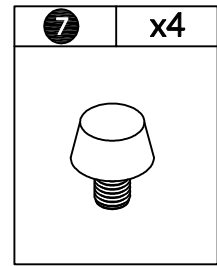
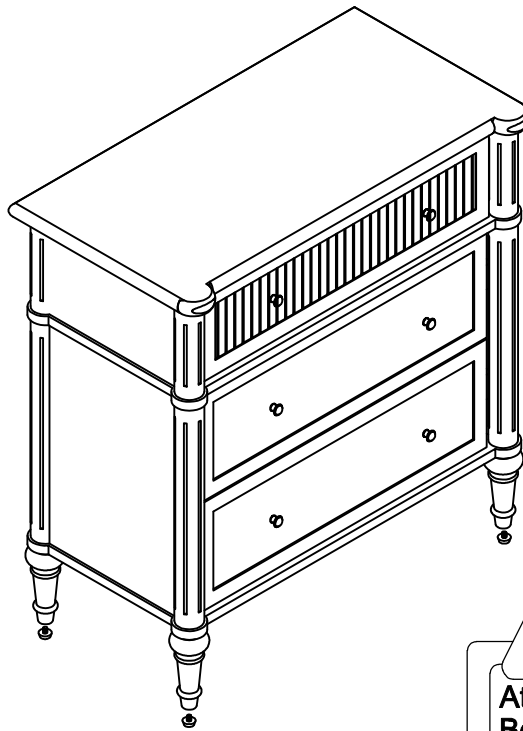
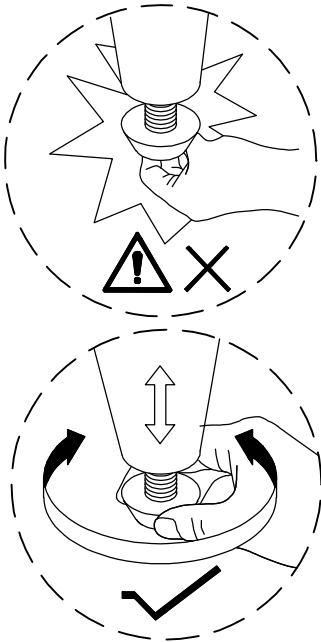
## Step 8

Insert shelf G into the panel (B/C)



**Attention:** When installing the drawer, slide the steel ball slide rail of side panel to the most front as picture show.

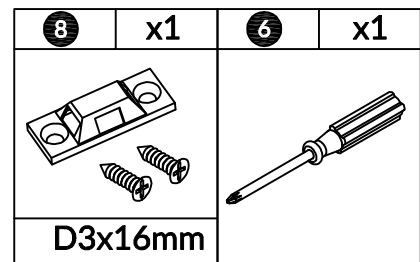
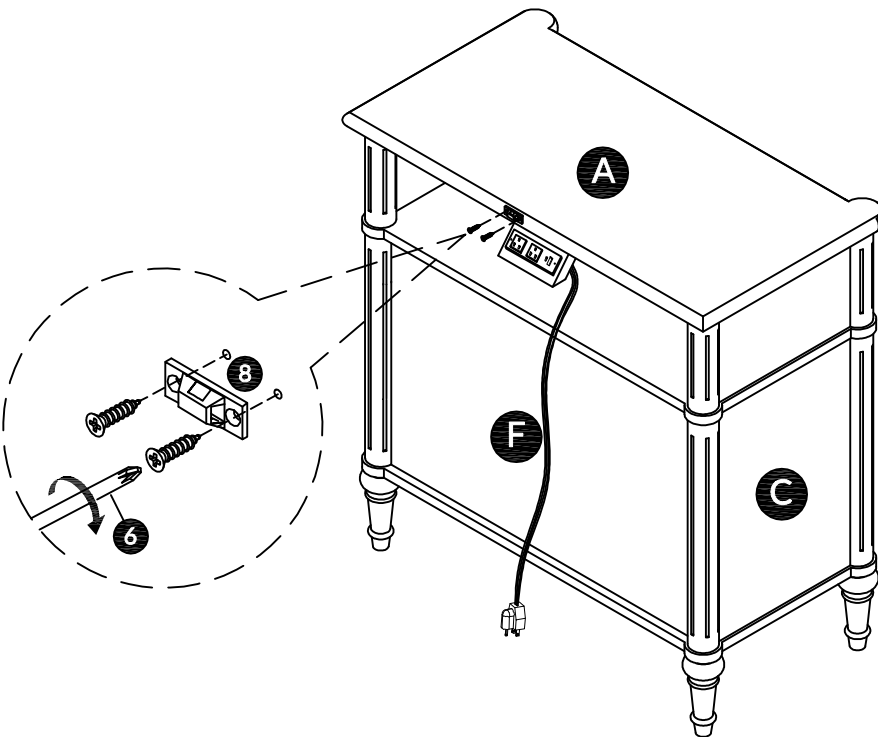
## Step 9




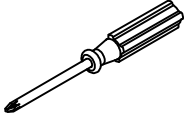

**Attention:**  
Before the next step, adjust the feet of the locker to keep it level.

## Step 10

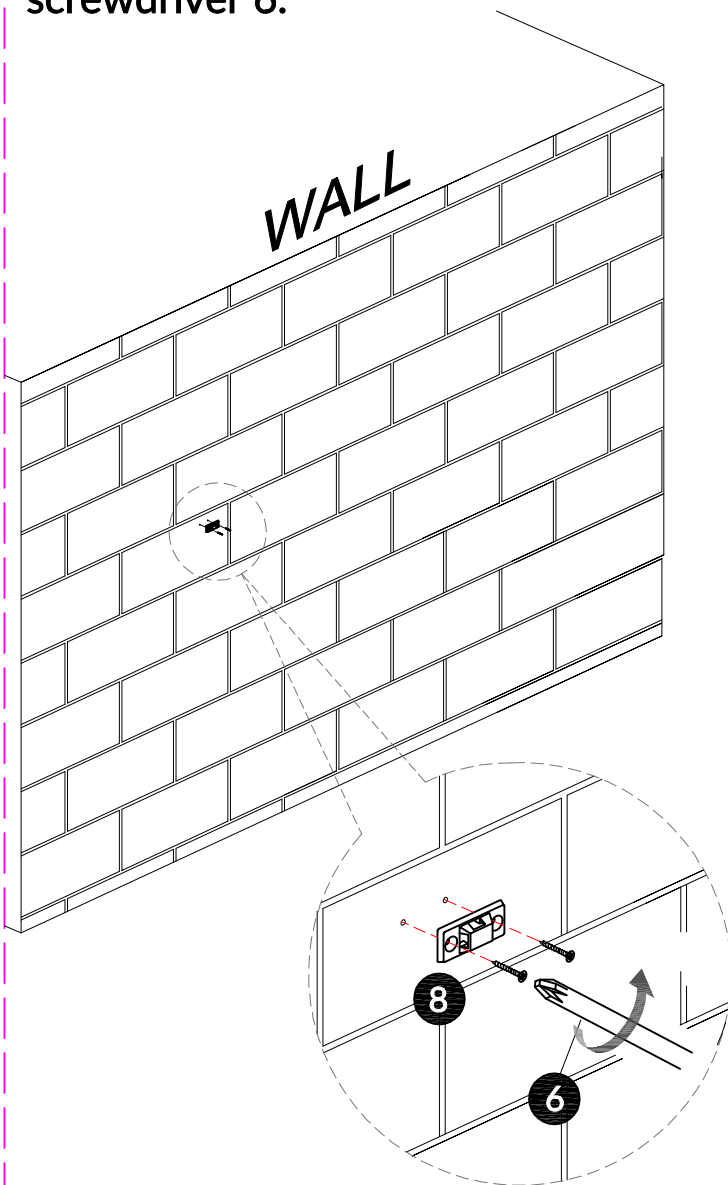
Use screw to attach part 8 to back (A), tight screw with screwdriver 6.



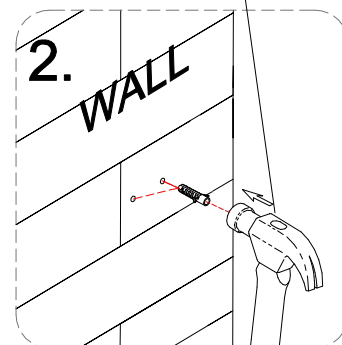
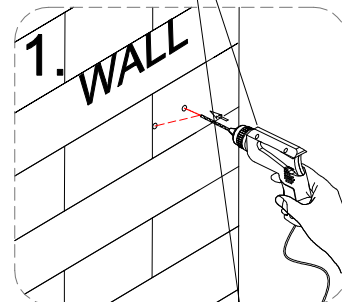
## Step 11

8	x1	6	x1
			
			
D3.5x35mm			

1. Install the anti-collapse device.
2. Mark the position on the wall, that corresponds to the location of part 8 on the of panel (A); Drill and insert the expandable screw 6 by hammer.
3. Assemble the part 8 to the wall. Align the hole in the part 8 with the expandable screw , use screw to attach it and tighten by screwdriver 6.

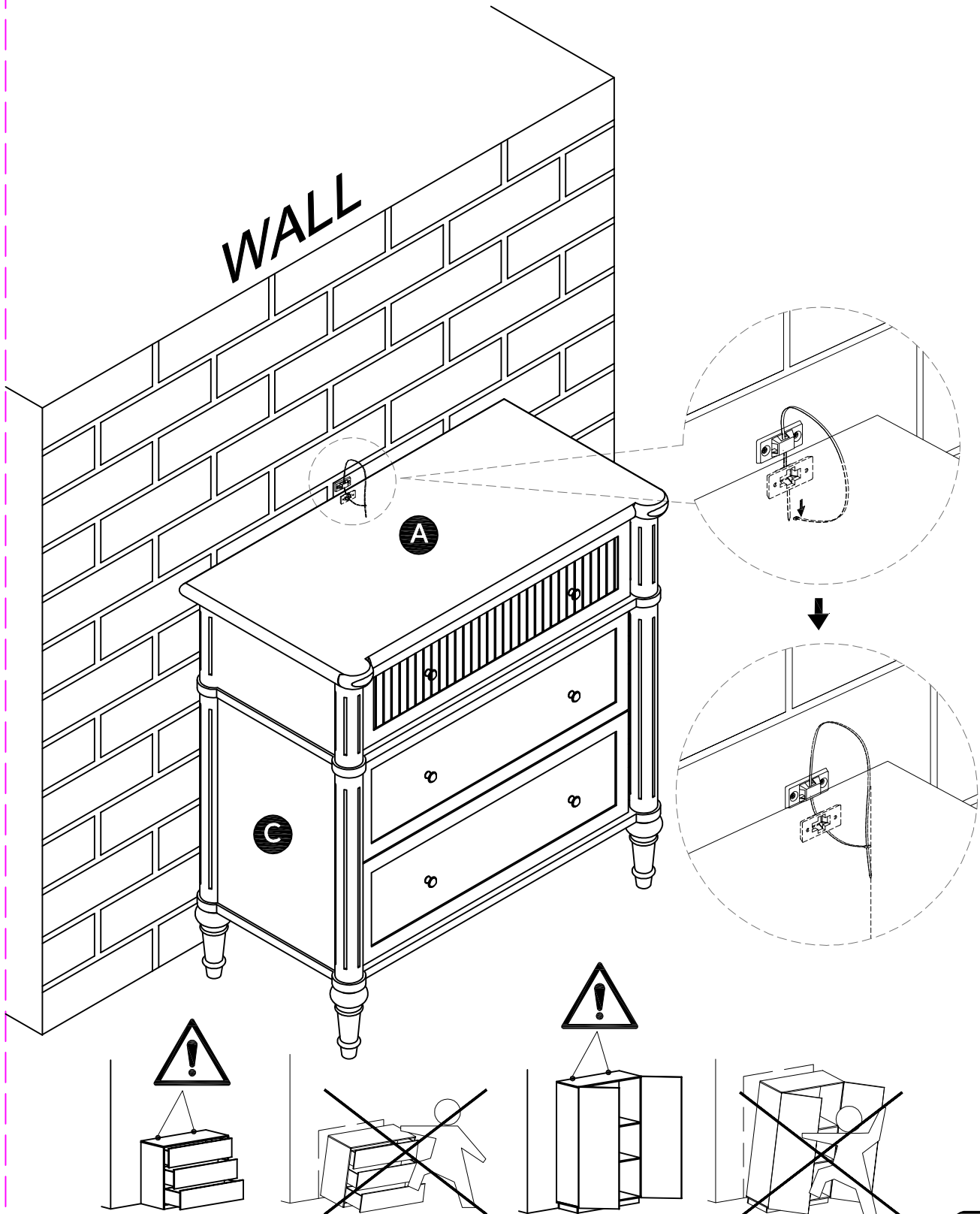


NOT PROVIDED



## Step 12

Let the plastic belt 2 pass through the both part 8 and pull tightly.



# WARRANTY

- We strive to offer quality products, and we also try our best to satisfy every customer who orders from us with products or services as needed.
- We provide 30 days warranty starting from the time you receive the item. Each customer must provide a record of their orders such as the order number, or item receipt for any items that are out of the warranty period you may also still receive.
- Replacement parts by purchasing them from our company if they are available.
- For return, please check the return policy with the retailer or market place you bought from

Appreciate your purchasing from us.  
Pop up your life by our furniture piece!