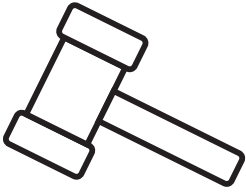


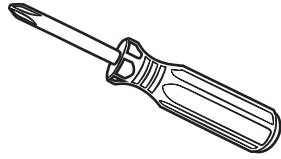
USER MANUAL

CABINET A

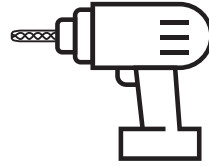
TOOLS REQUIRED



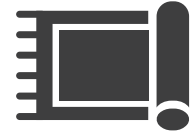
Phillips screwdriver
(Not included)



Hammer
(Not included)



Drill
(Not included)



Protective blanket
(Not included)



ATTENTION

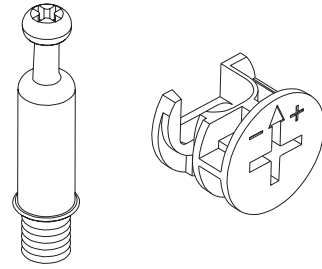
Keep children and pets away while assembling.



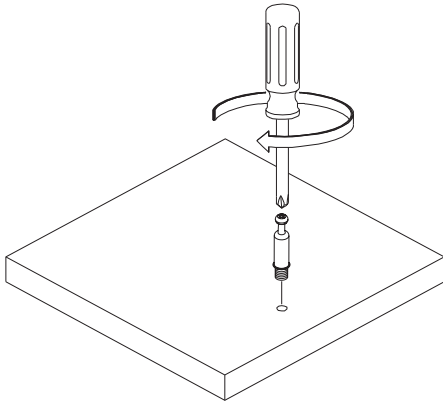
HOW TO USE CAM LOCKS

CAM LOCK FASTENING SYSTEM

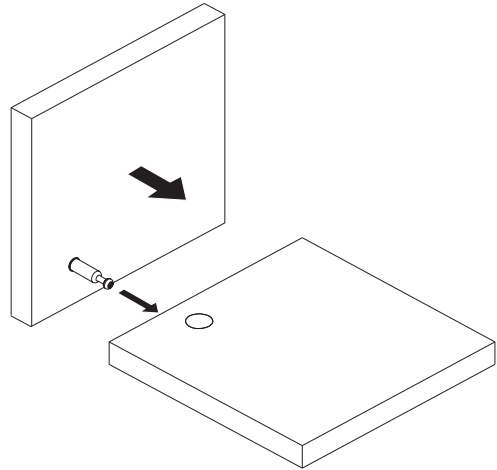
This Cam Lock Fastening System will be used throughout the assembly process.



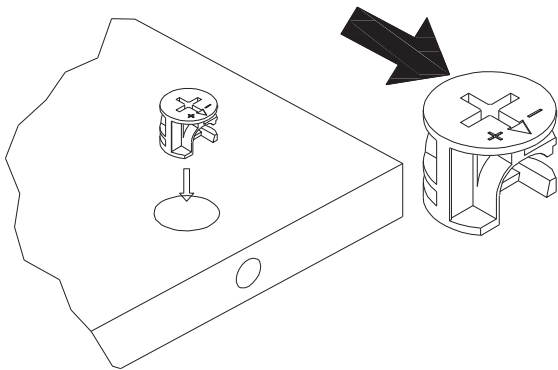
1



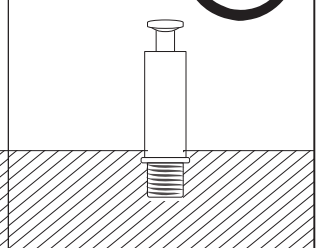
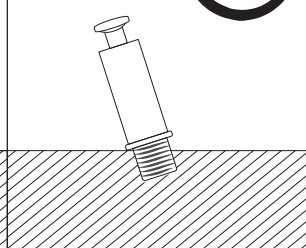
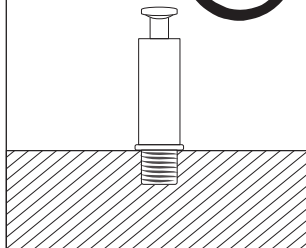
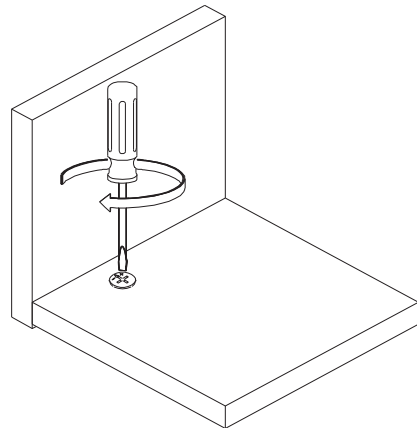
2



3



4



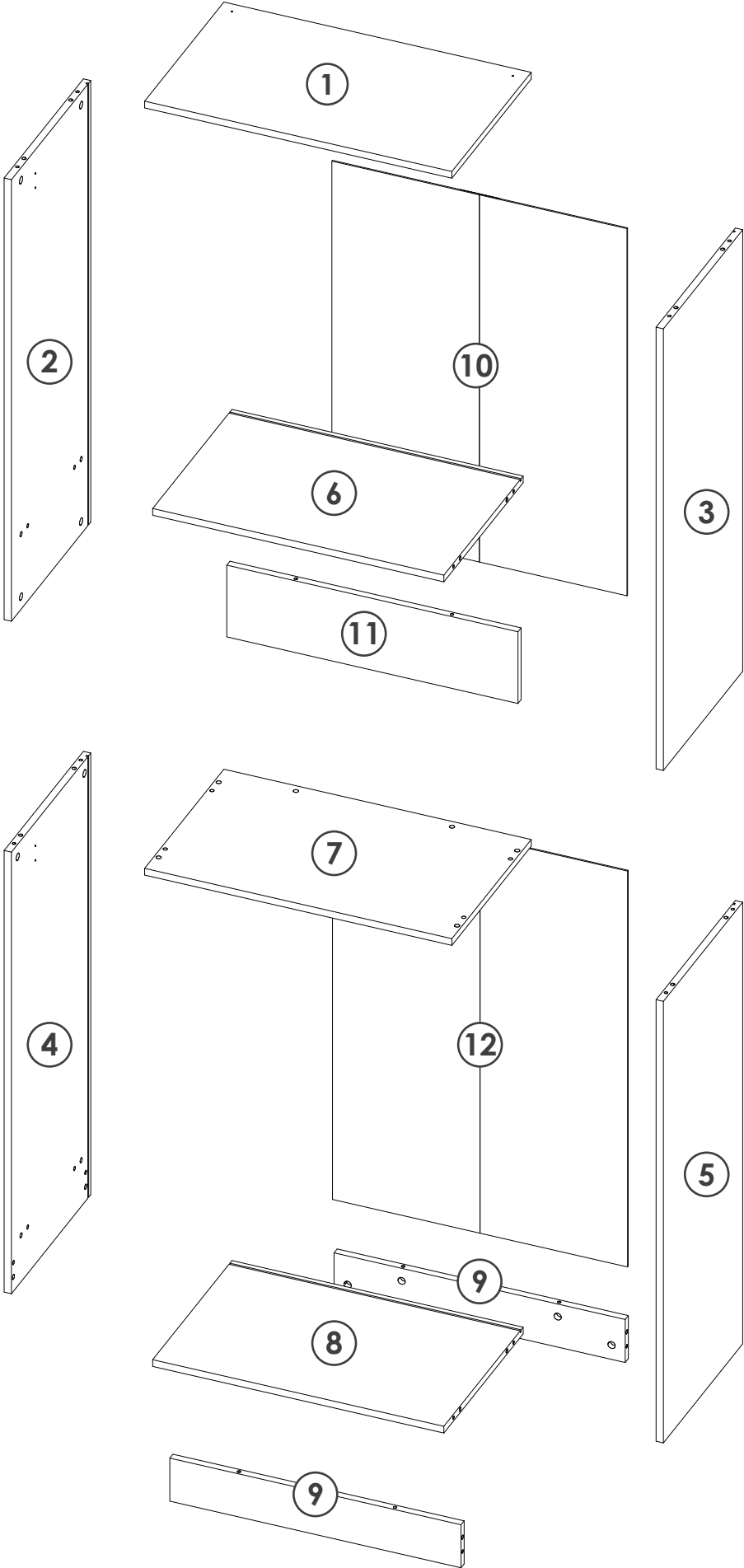
INTRODUCTION

Thank you very much for choosing our Wardrobe. Please read the instruction carefully before assembly and keep it for future reference. If you need further assistance on assembly, please contact our customer service through email.

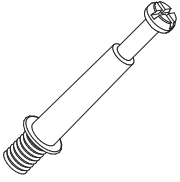

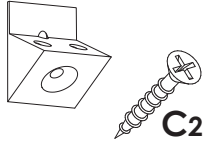
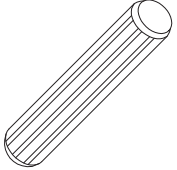
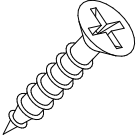

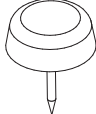
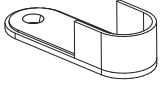


Tips:

1. When installing the product, use a soft underlay (such as carpet or cardboard) to avoid scratching or damaging the surface of the product.
2. Don't tighten screws completely at first, just in case parts were assembled wrong and need disassemble. Tighten screws at last when all parts are put together.
3. The structure of this product can not meet the requirements of the placement of heavy items and children climbing.

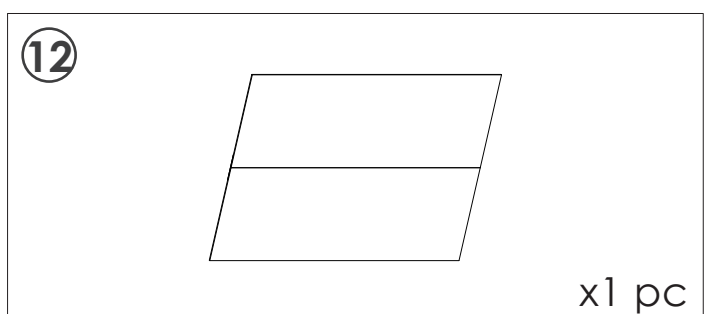
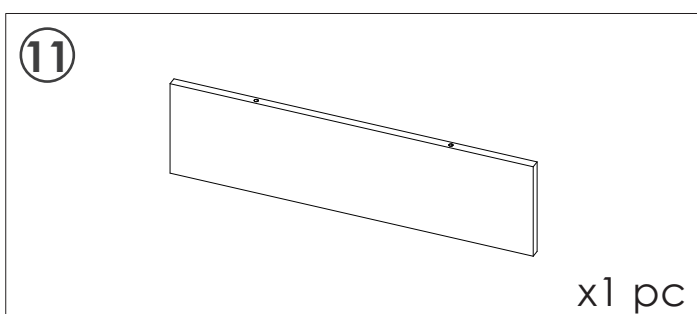
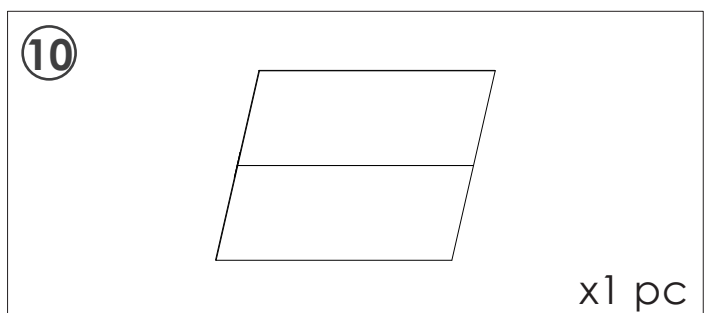
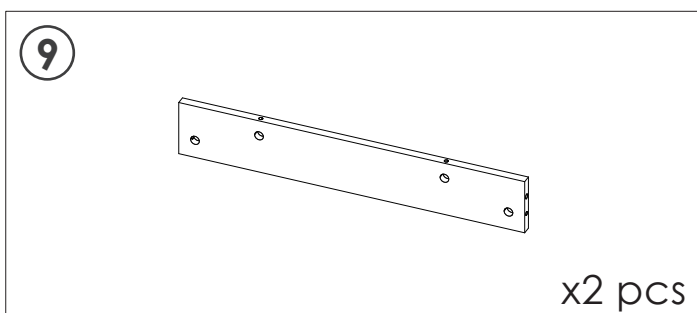
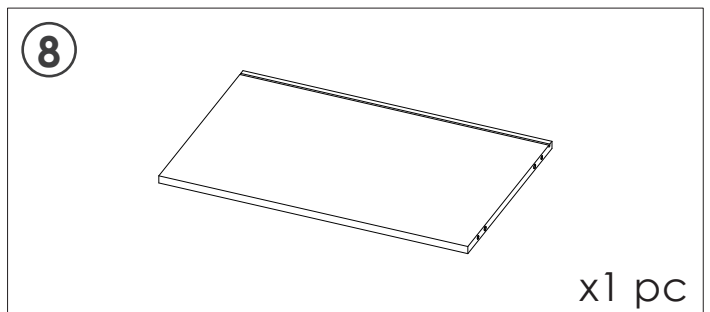
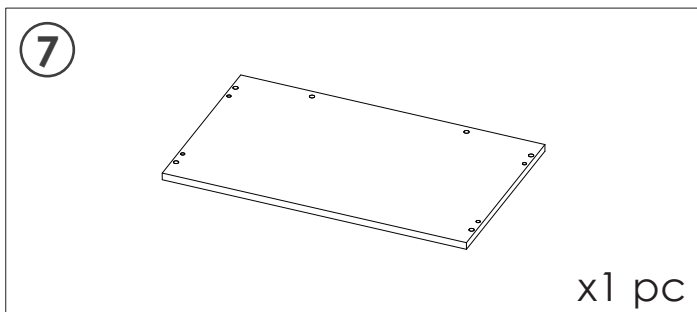
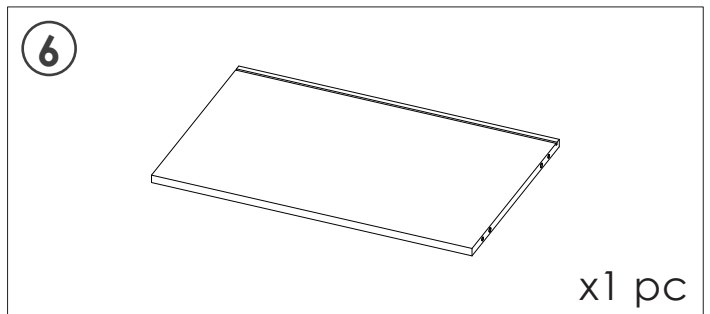
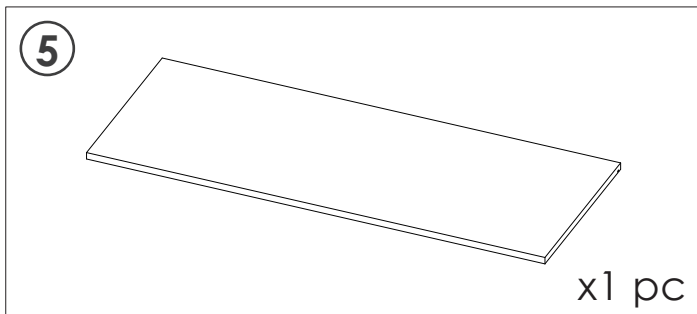
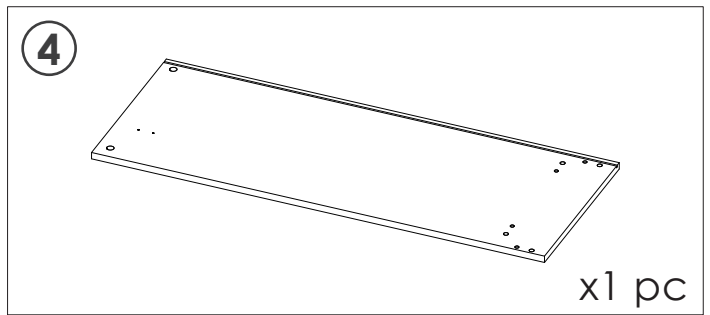
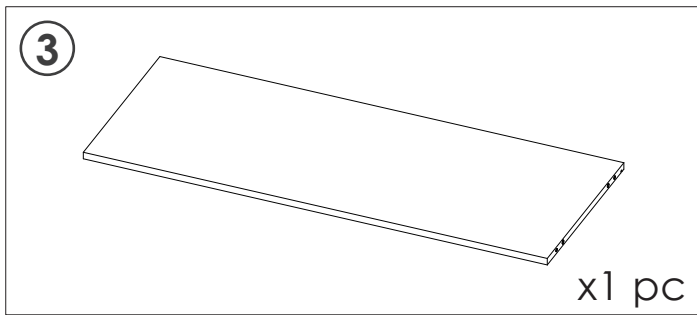
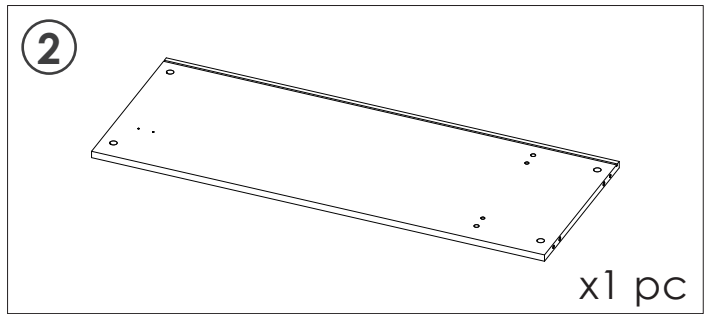
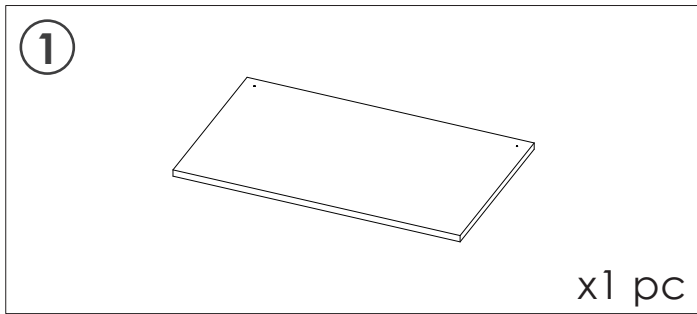
PLATE NUMBER



HARDWARES LIST

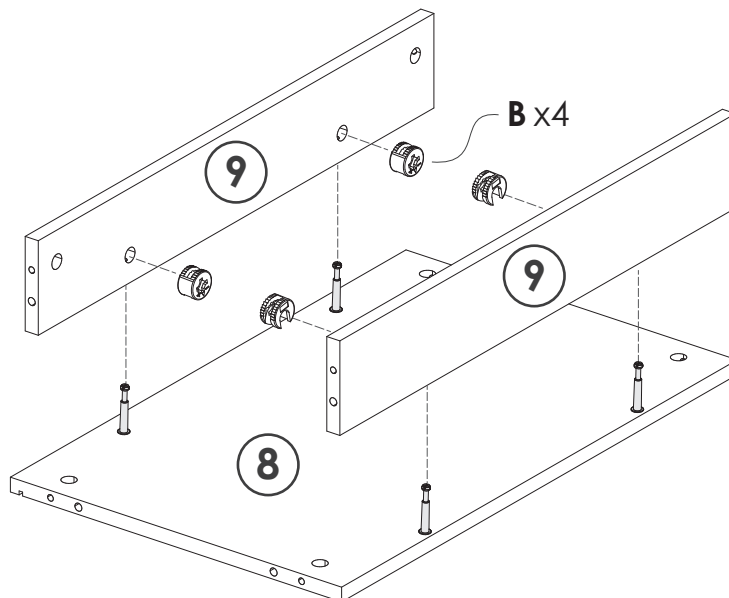
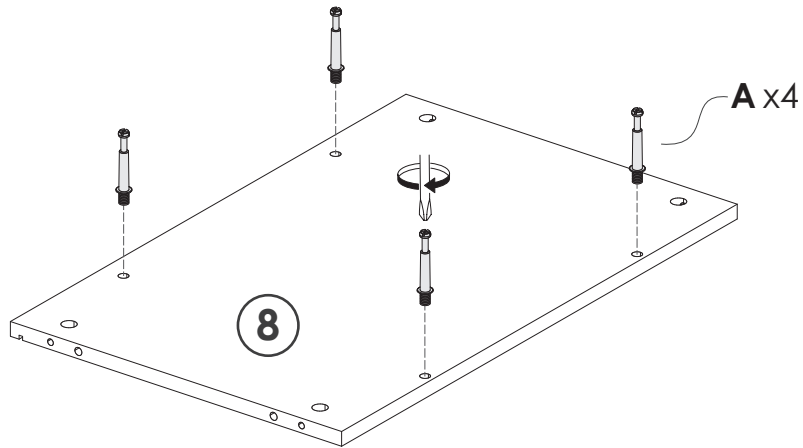
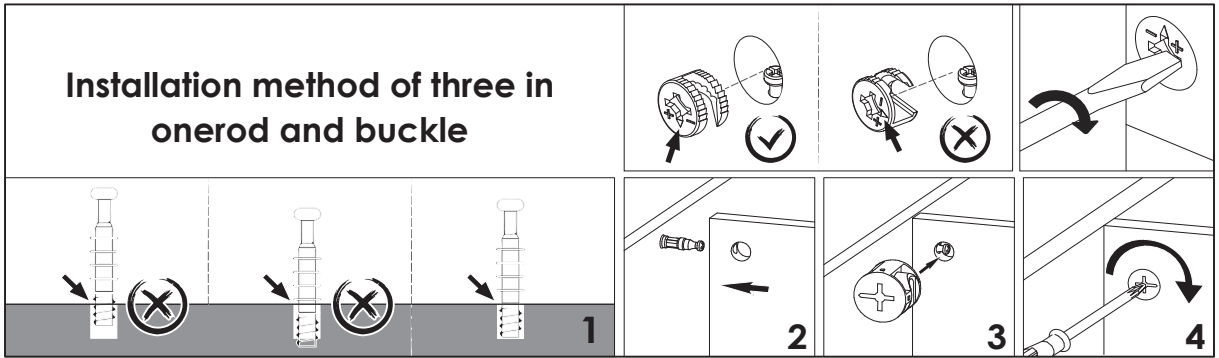
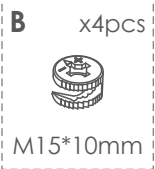
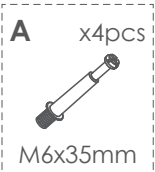
<p>A x32</p>  <p>M6*35mm</p>	<p>B x32</p>  <p>M15*10mm</p>	<p>C = C1+C2 x16</p>  <p>M3*14mm</p>	<p>D x24</p>  <p>M8*40mm</p>
<p>E x8</p>  <p>M3.5*14mm</p>	<p>F x2</p>  <p>592mm</p>	<p>G x8</p> 	
<p>H x4</p> 	<p>I x16</p>  <p>21mm</p>	<p>J = J1+J2+J3+J4 x2</p> 	

PARTS LIST

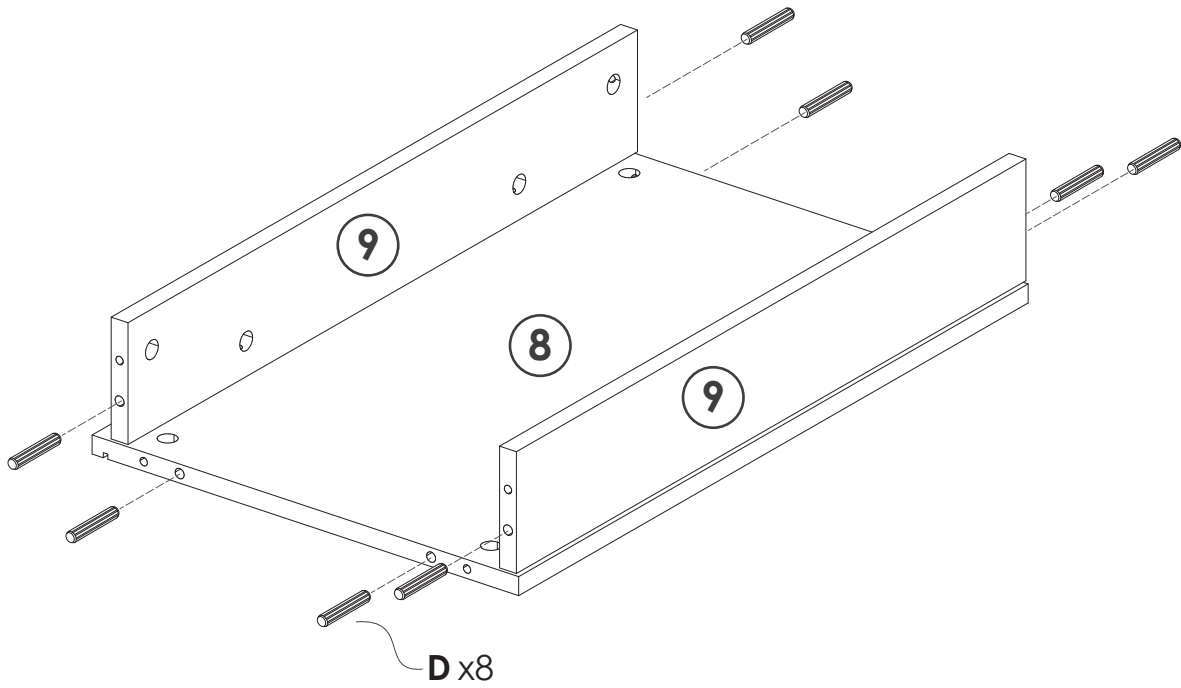
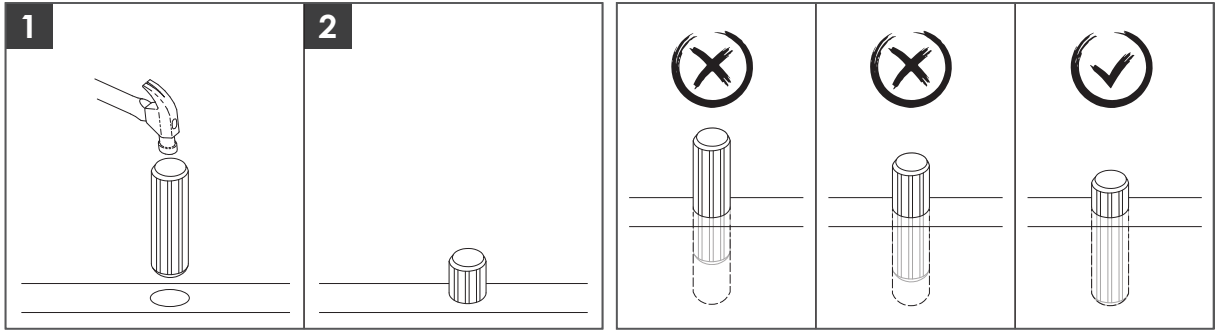
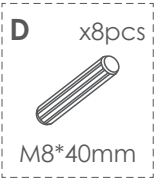


INSTALLATION INSTRUCTION

01



02



03

A x4pcs



M6*35mm

E x2pcs



M3.5*14mm

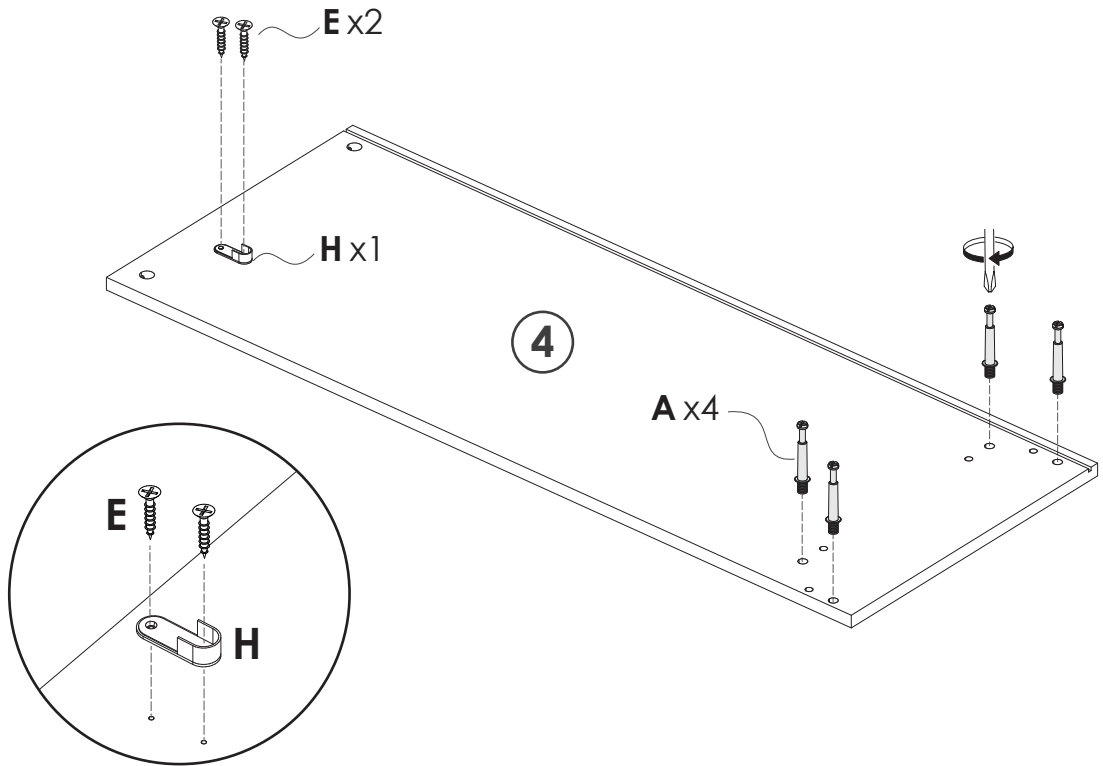
H x1pc



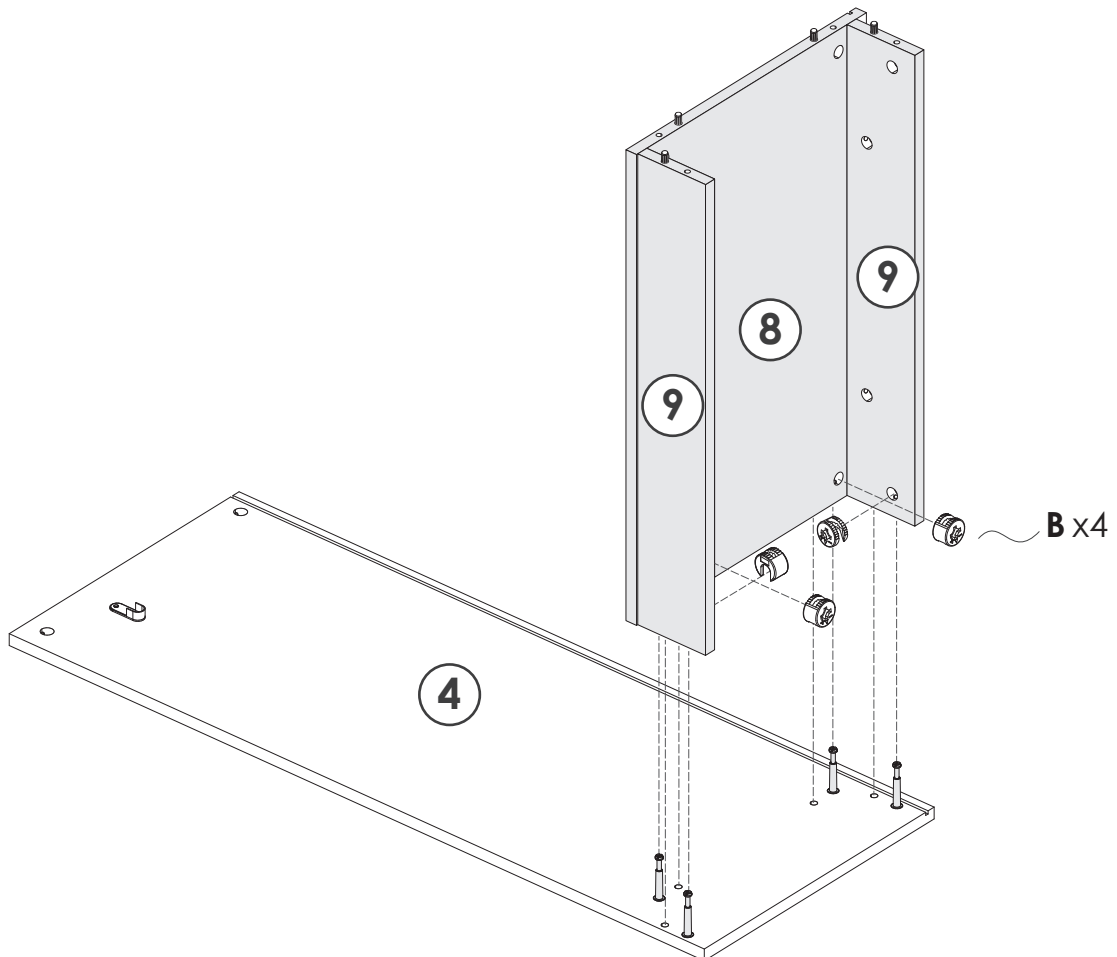
B x4pcs



M15*10mm



Note: The direction of fitting H shall be installed according to the drawing.



04

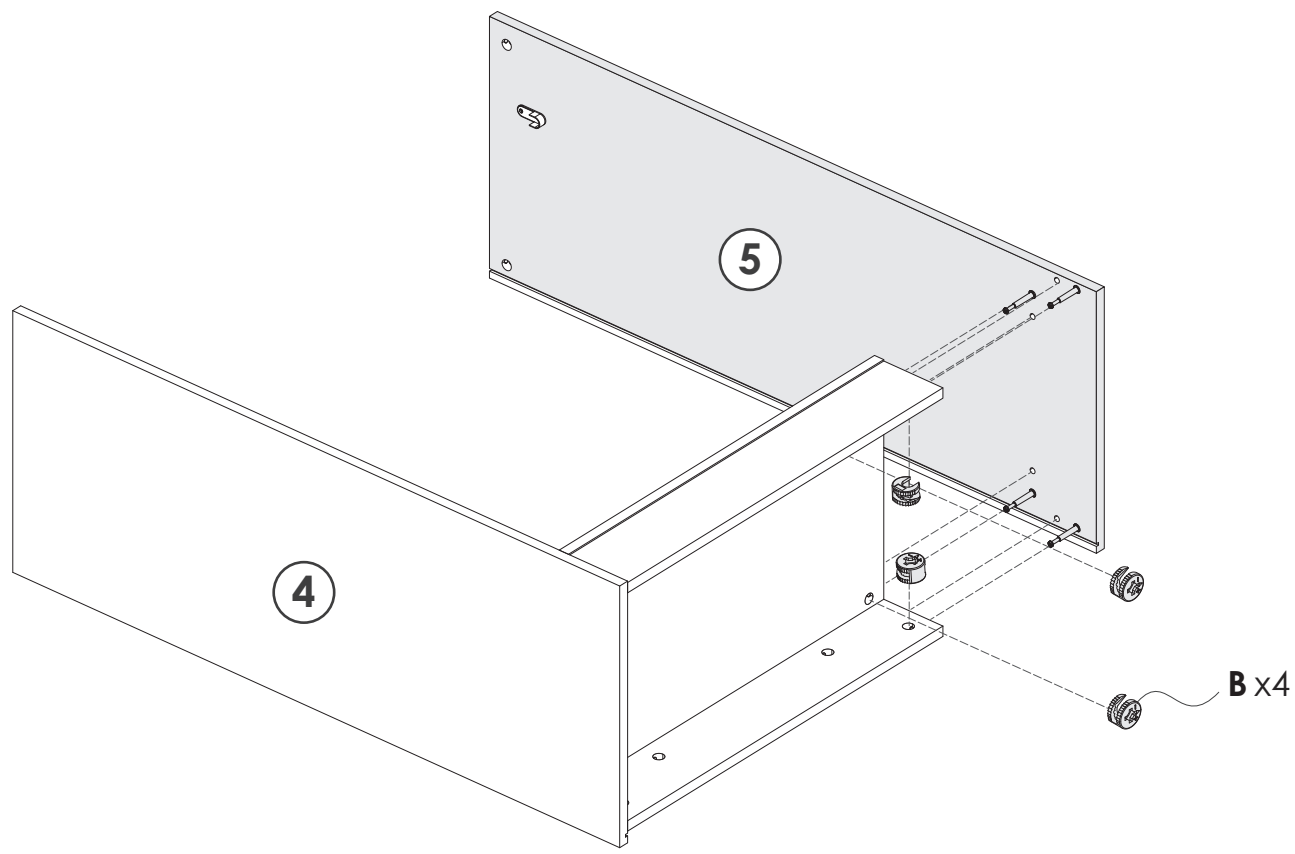
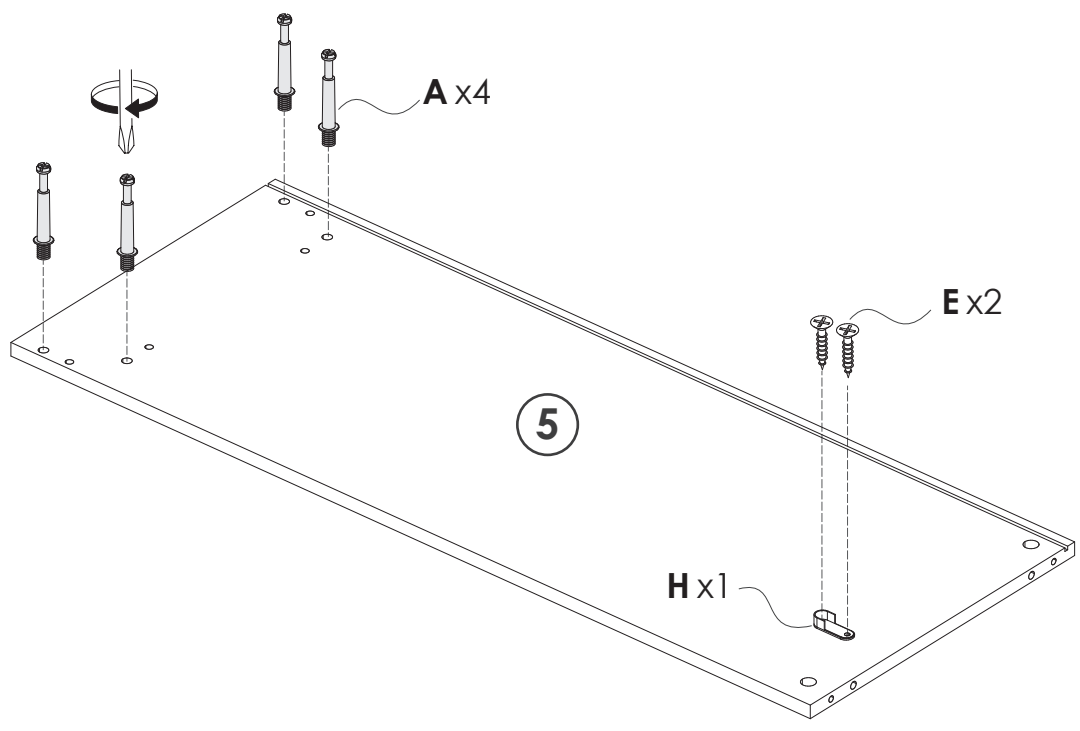
- A** x4pcs

M6*35mm
- E** x2pcs

M3.5*14mm
- H** x1pc

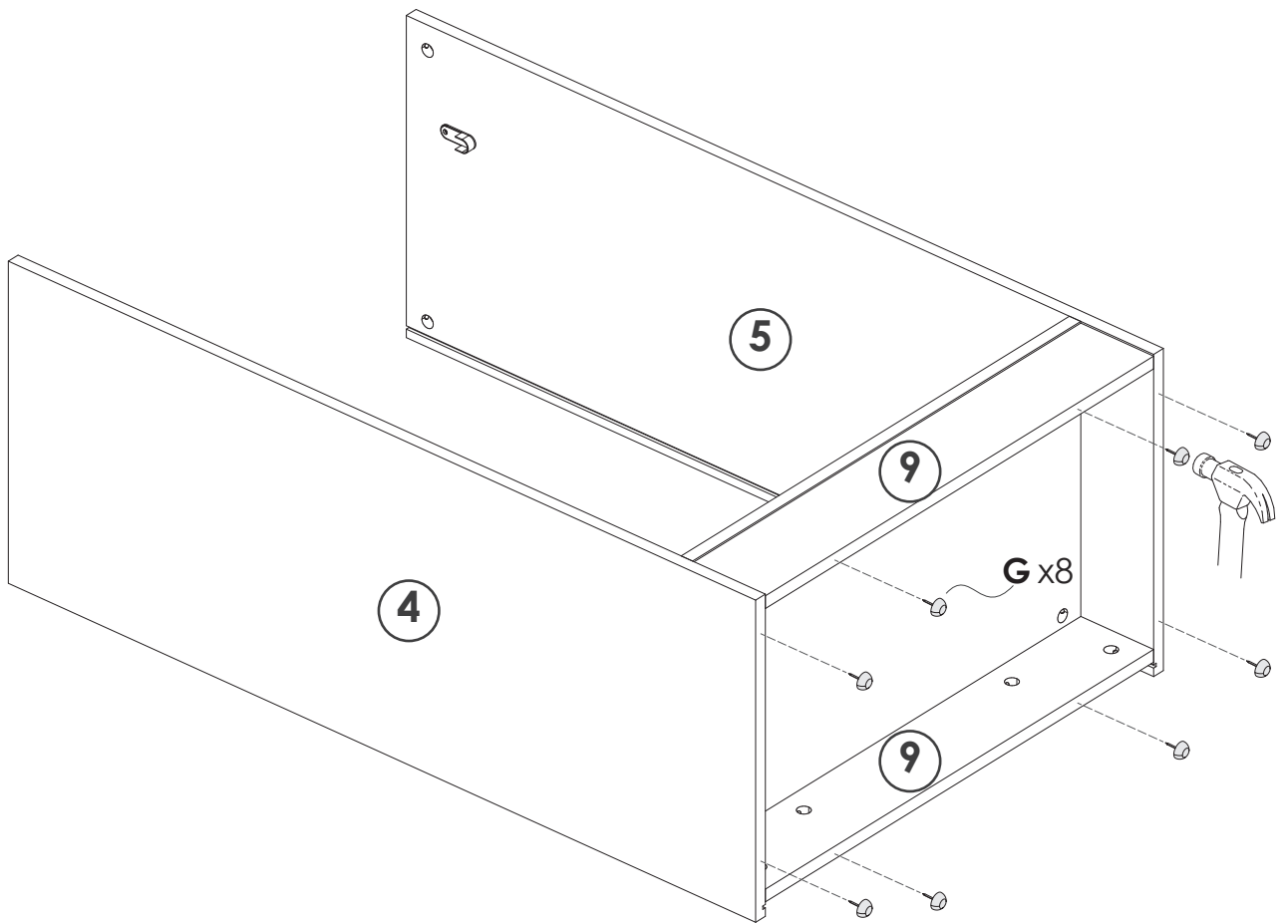
- B** x4pcs

M15*10mm

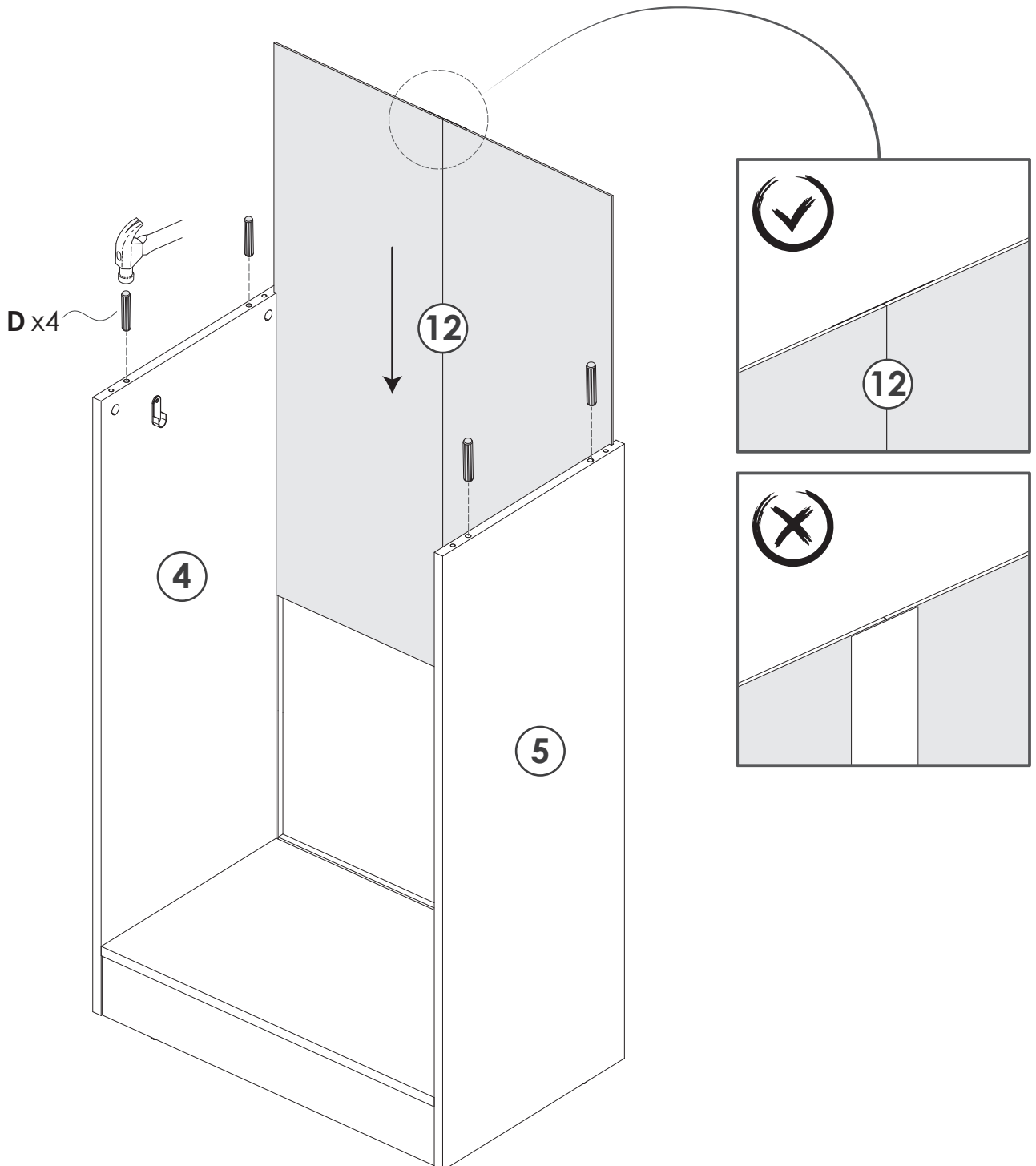
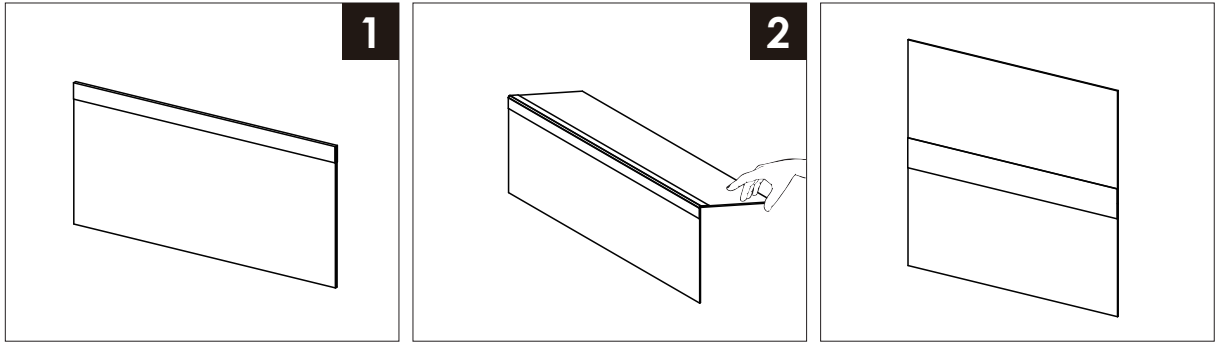
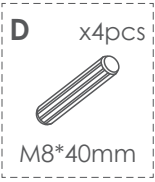


05

G x8pcs



06



07

A x8pcs



M6*35mm

B x2pcs

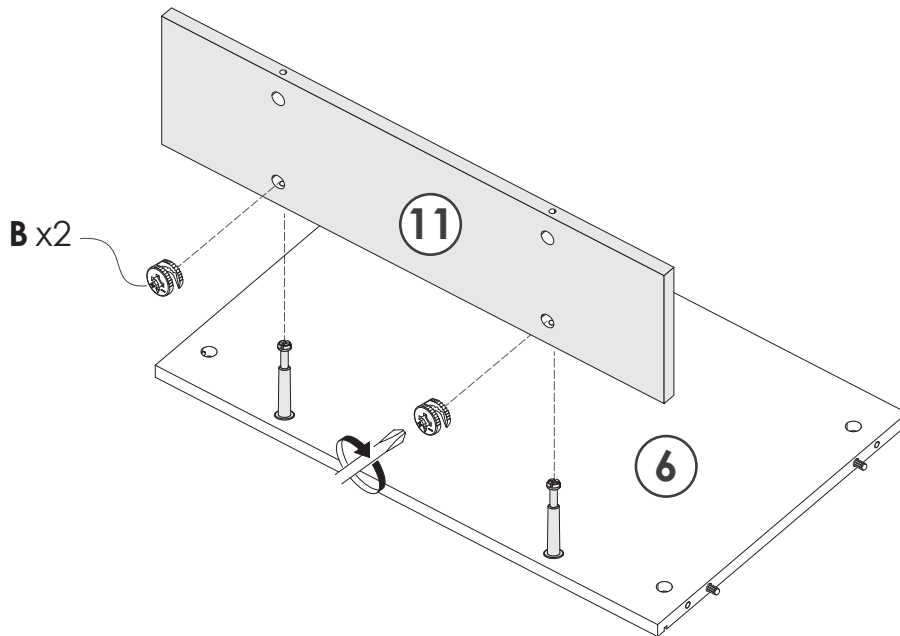
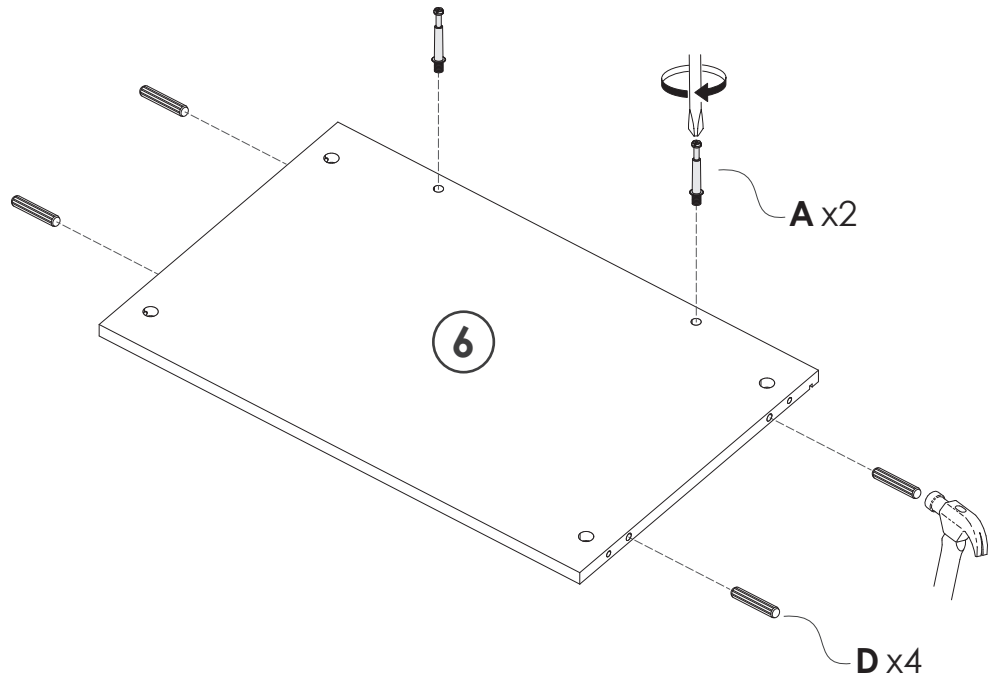


M15*10mm

D x4pcs



M8*40mm



08

A x4pcs



M6*35mm

E x2pcs



M3.5*14mm

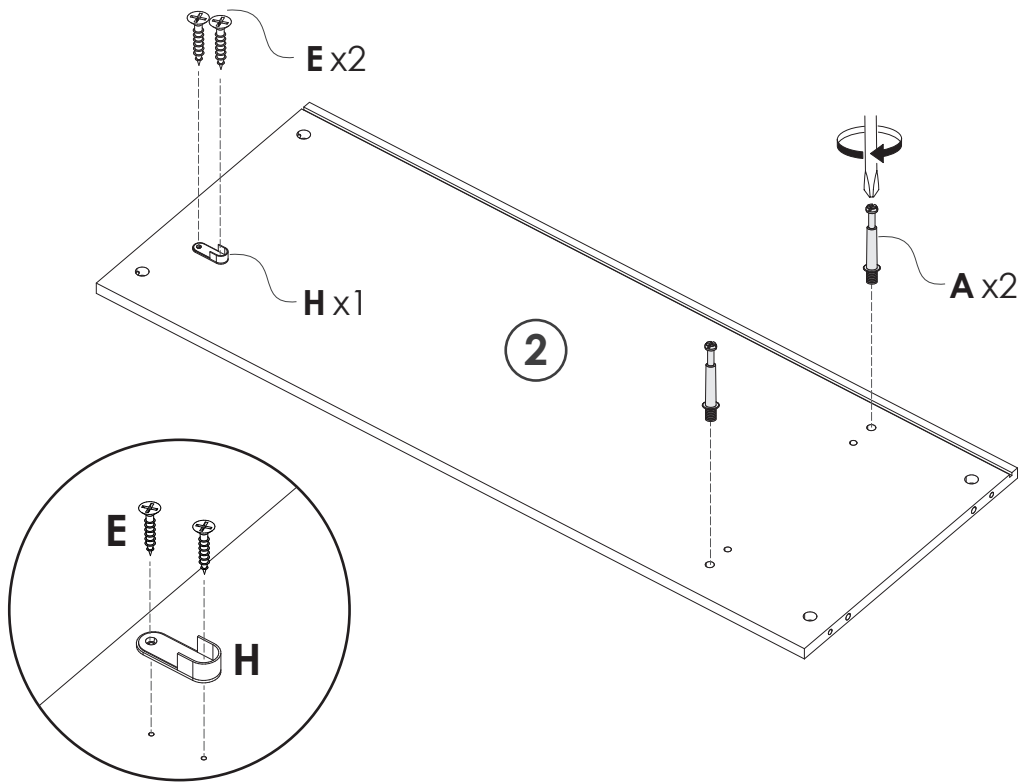
H x1pc



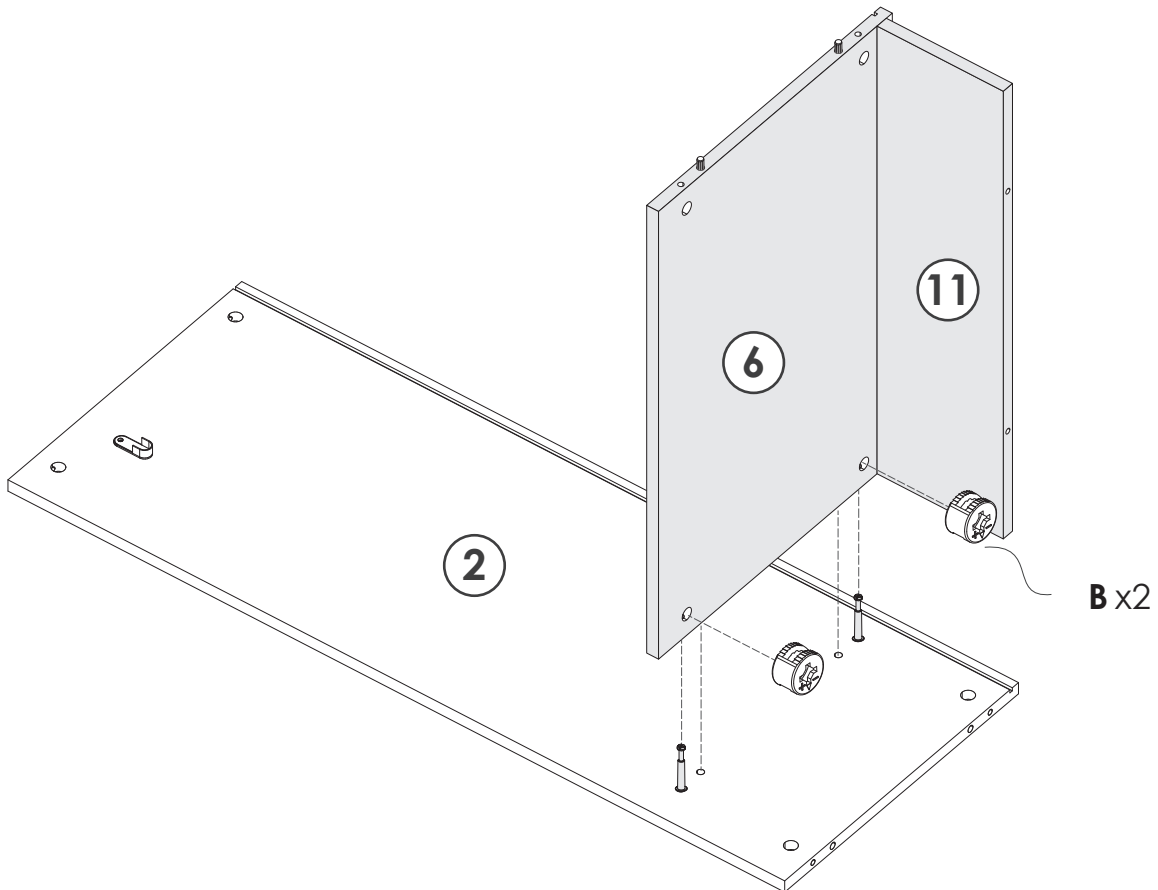
B x2pcs





M15*10mm




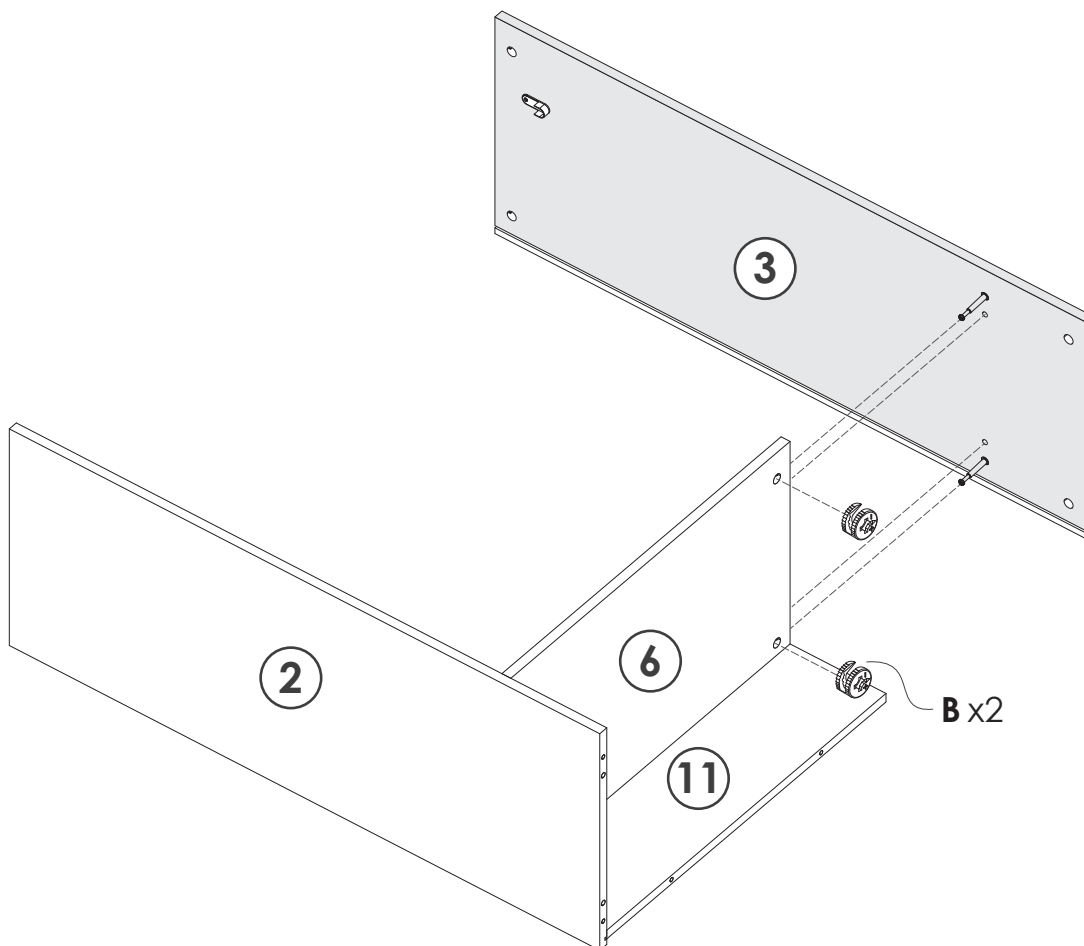
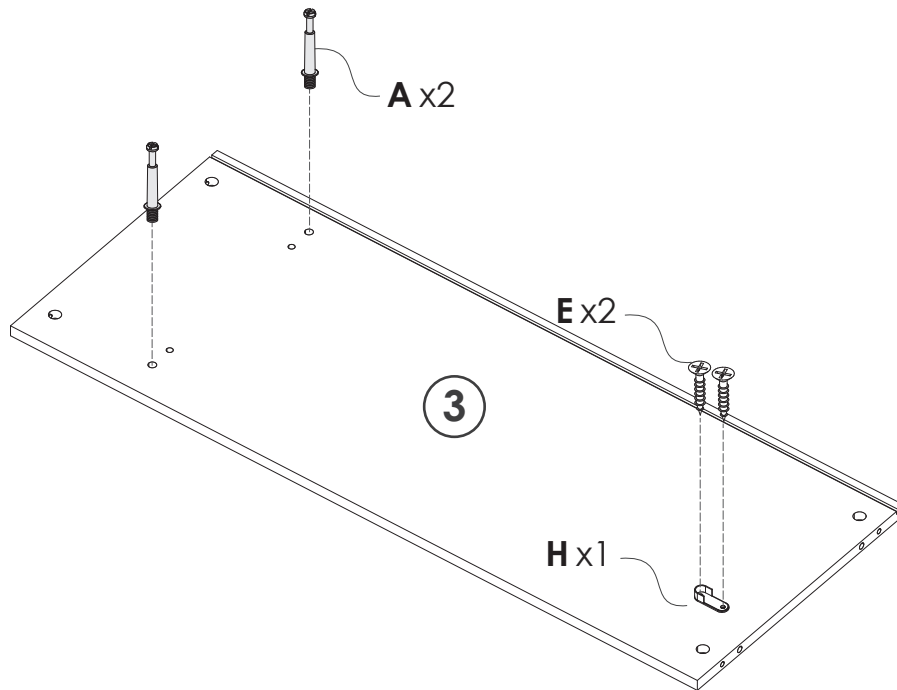
Note: The direction of fitting H shall be installed according to the drawing.



09

- A** x2pcs

M6*35mm
- E** x2pcs

M3.5*14mm
- H** x1pc

- B** x2pcs

M15*10mm



10

A x6pcs



M6x35mm

B x6pcs

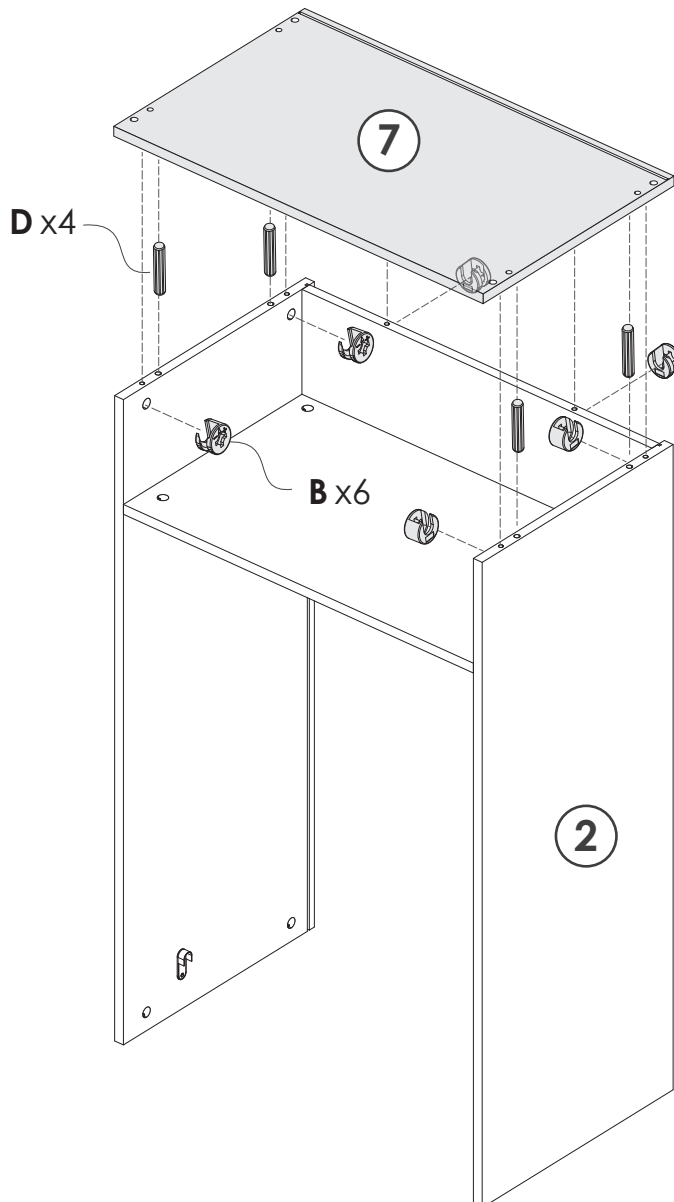
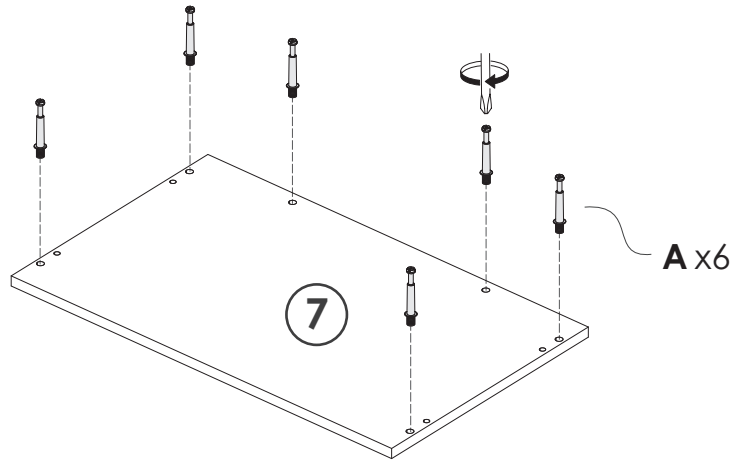


M15*10mm

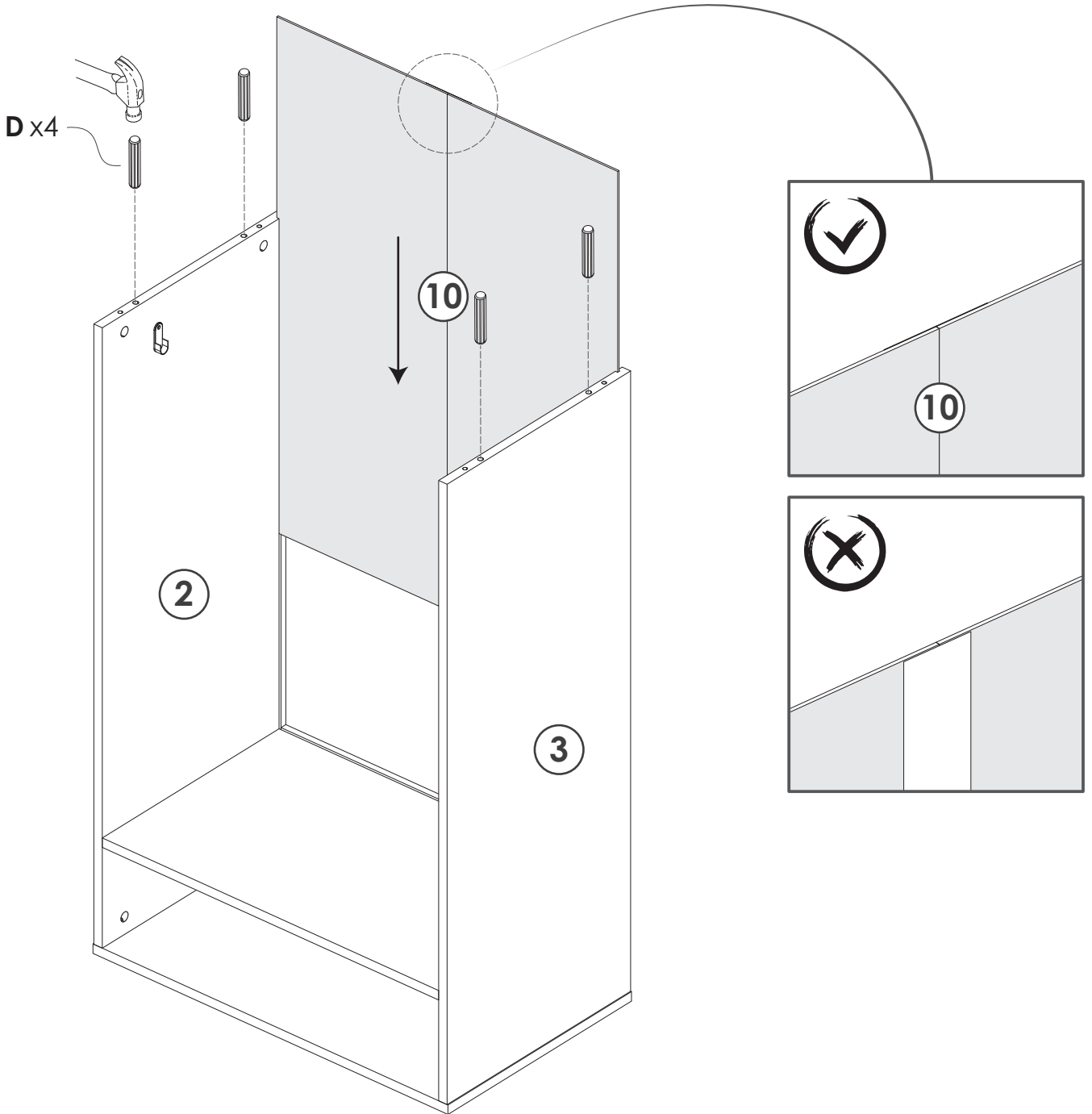
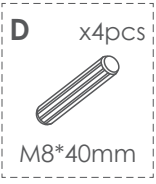
D x4pcs



M8*40mm

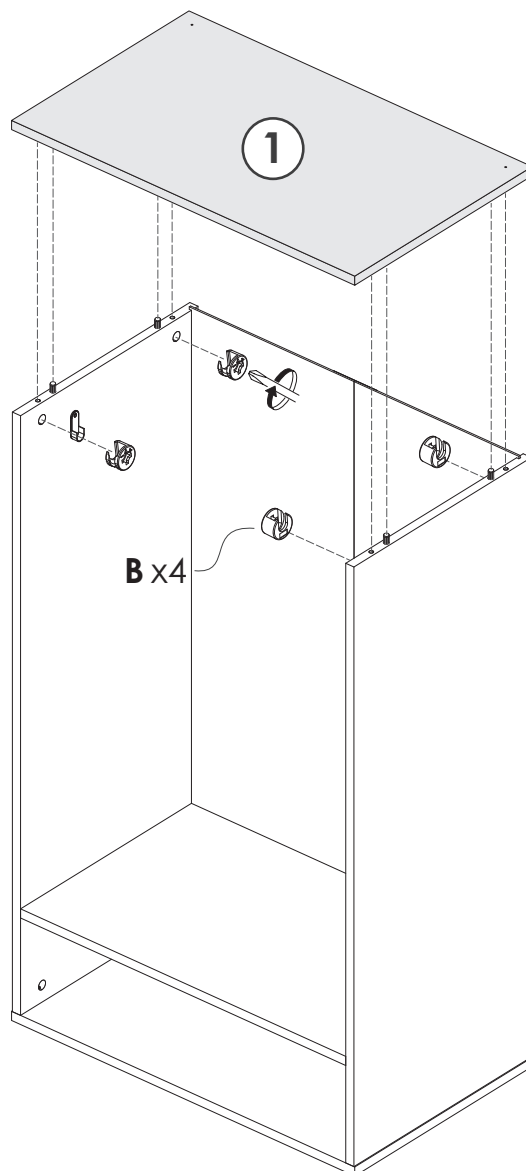
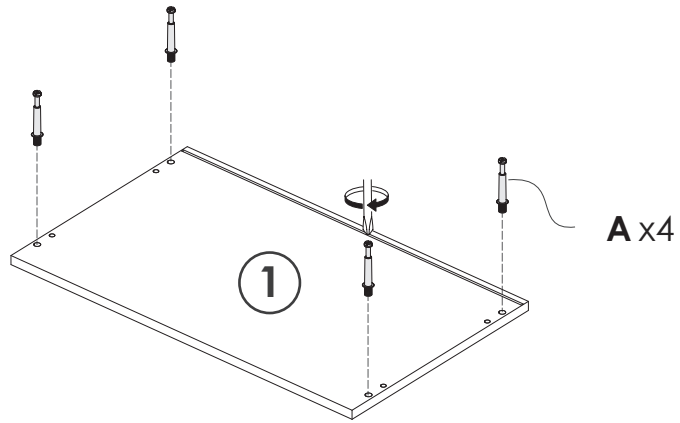


11

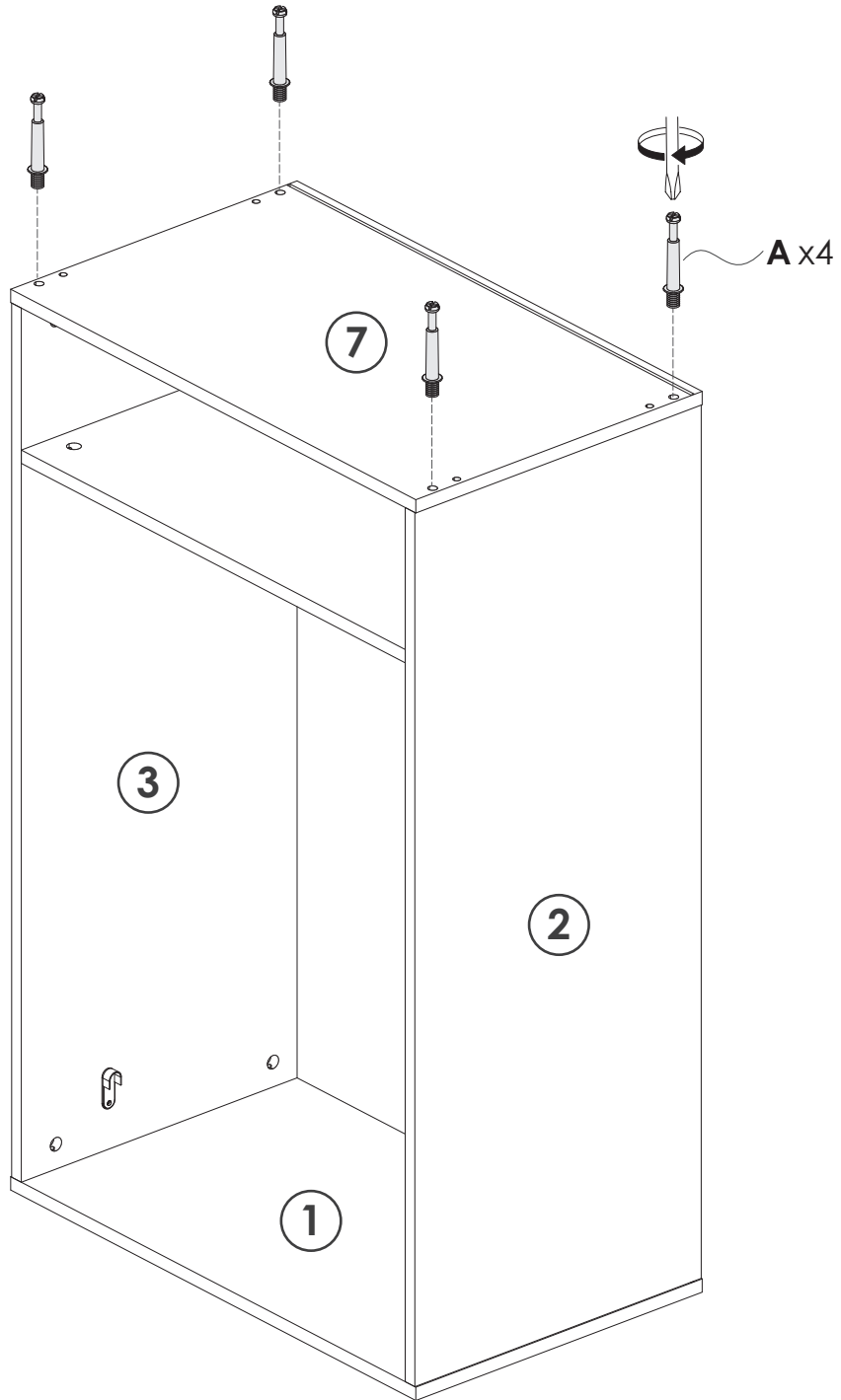
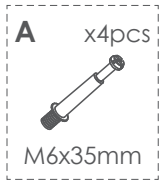


12

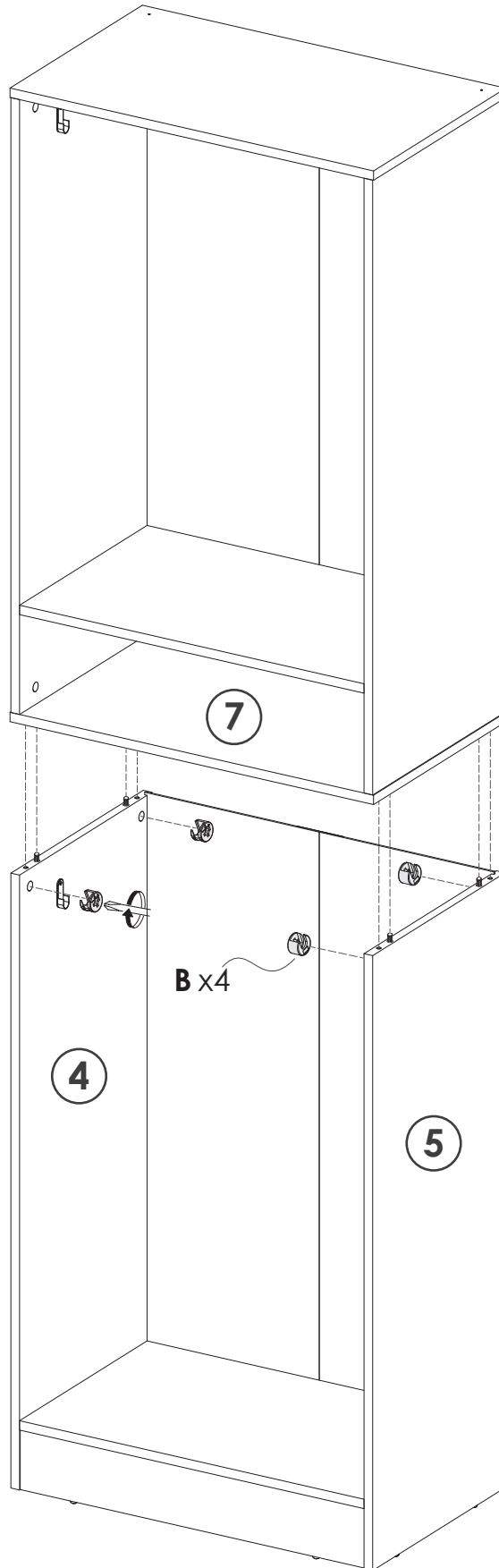
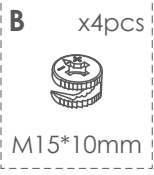
- A** x4pcs
M6x35mm
- B** x4pcs
M15*10mm



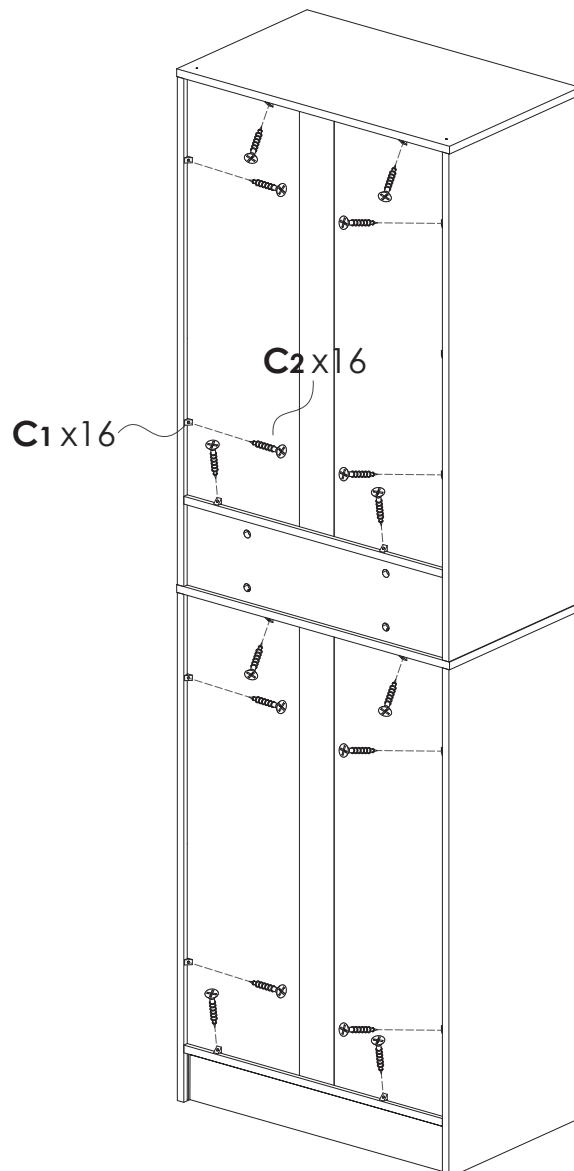
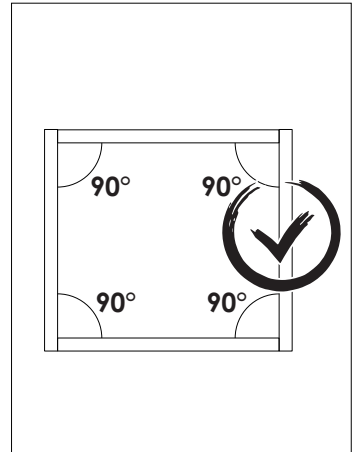
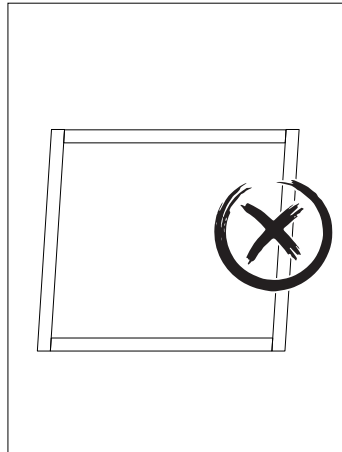
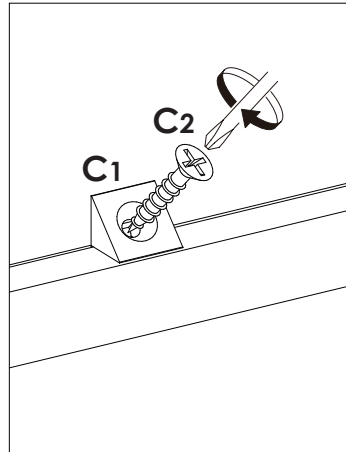
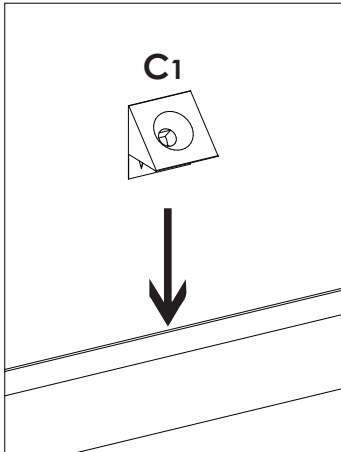
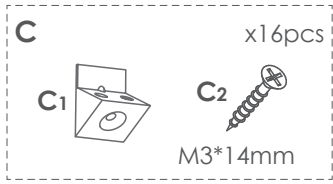
13



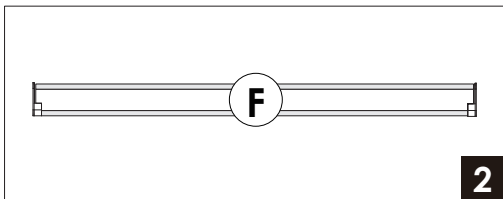
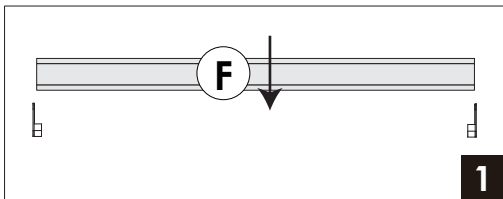
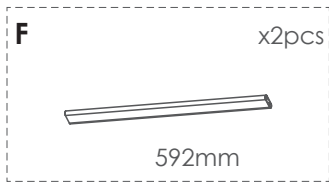
14



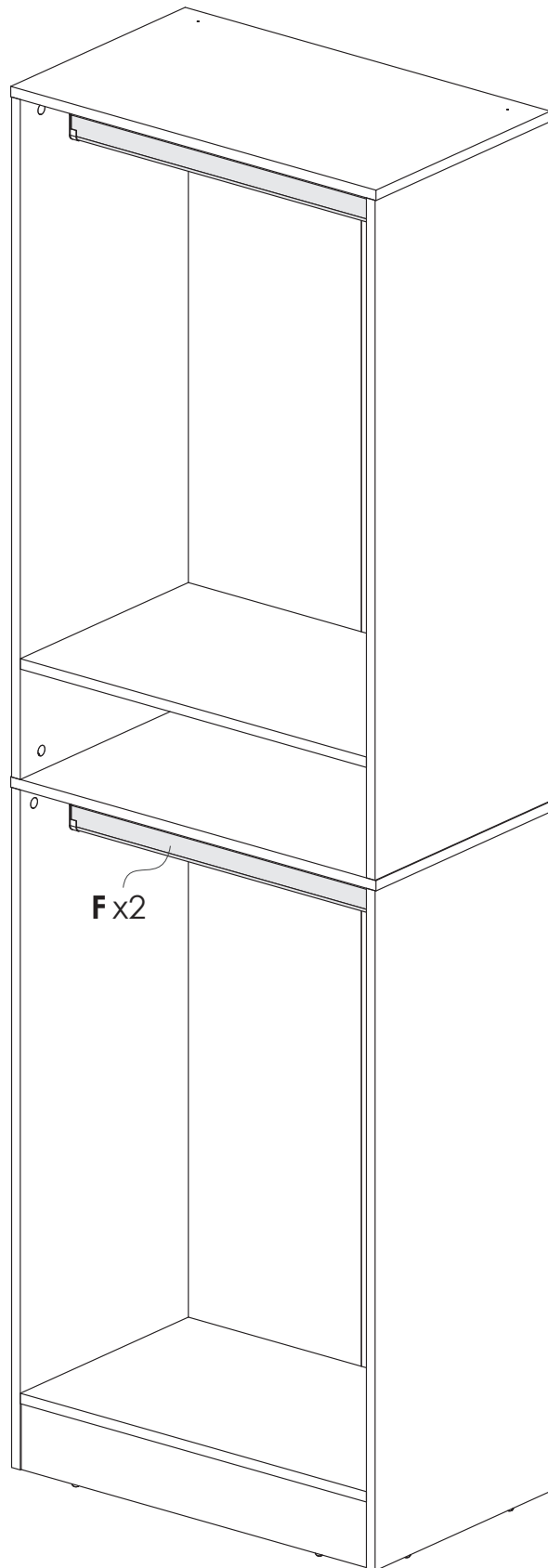
15



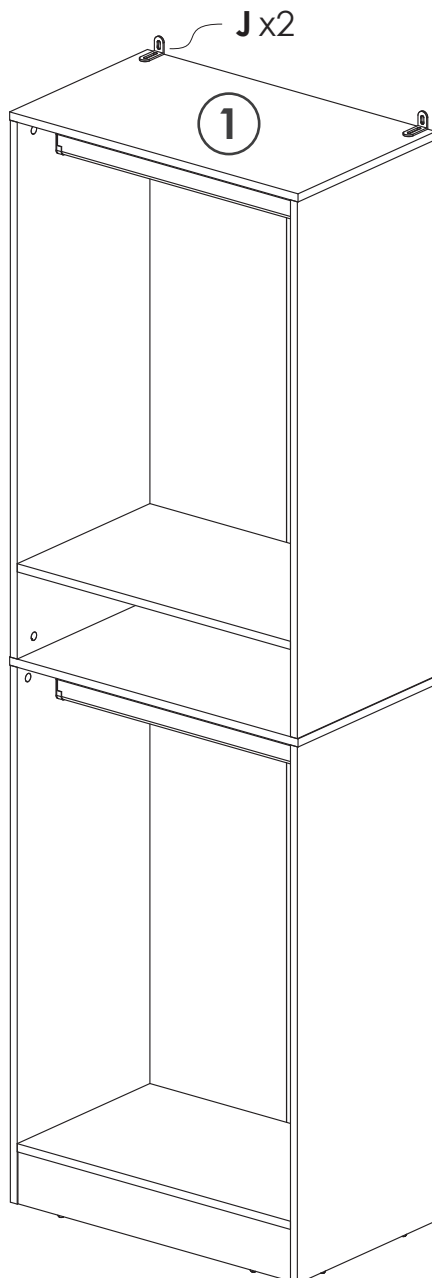
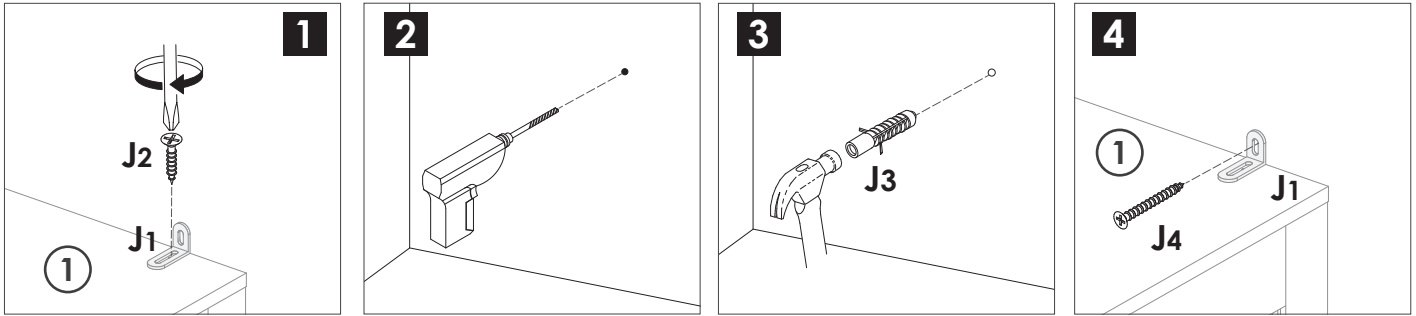
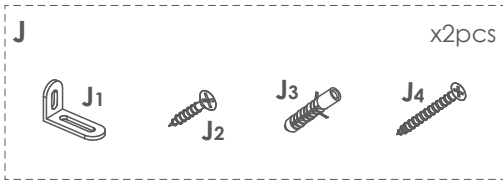
16



Note: Place fitting **F** between two fittings **H**.



17

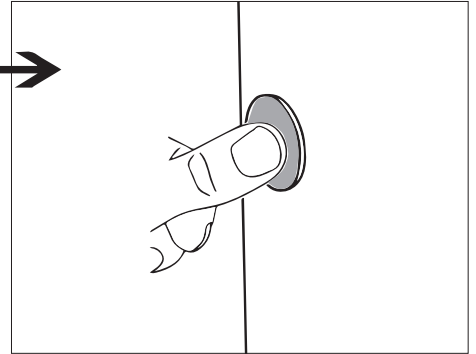
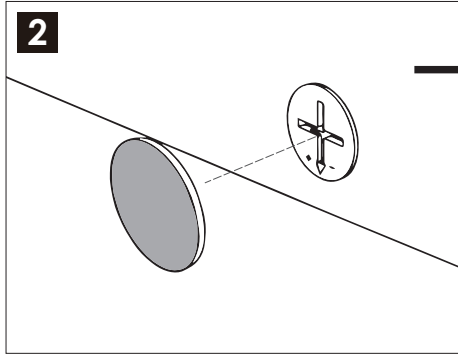
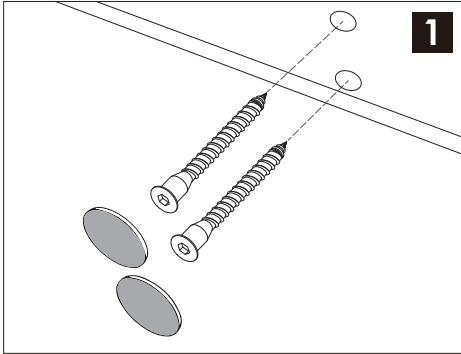
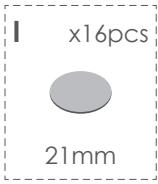


Mandatory!

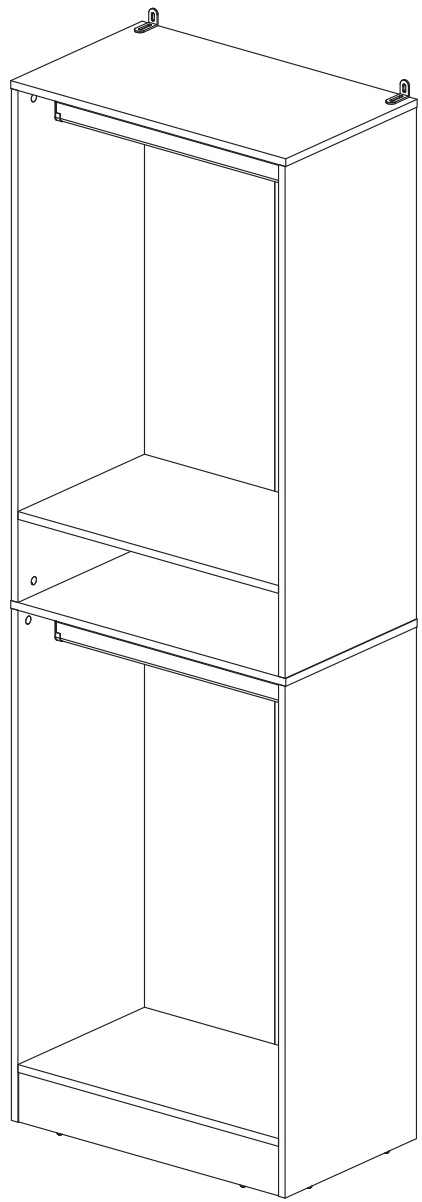
For safety reasons, we recommend you follow these instructions to install the anti-tipping hardware, when installed properly, this hardware may prevent the unit from tipping unexpectedly.

-WARNING -Serious injury can occur if furniture tips over. Place heavy items on lower shelved and as far back as possible.

18



Add I fittings to all exposed holes on the front of the product



WARRANTY

We provide an **18-month** warranty on the product starting from the date of the original purchase. If the product has any manufacturing defect, please contact us through email with details about the problem. We will send you further information about the return or exchange.