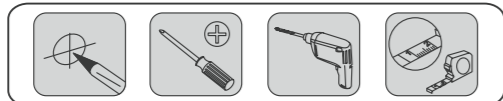


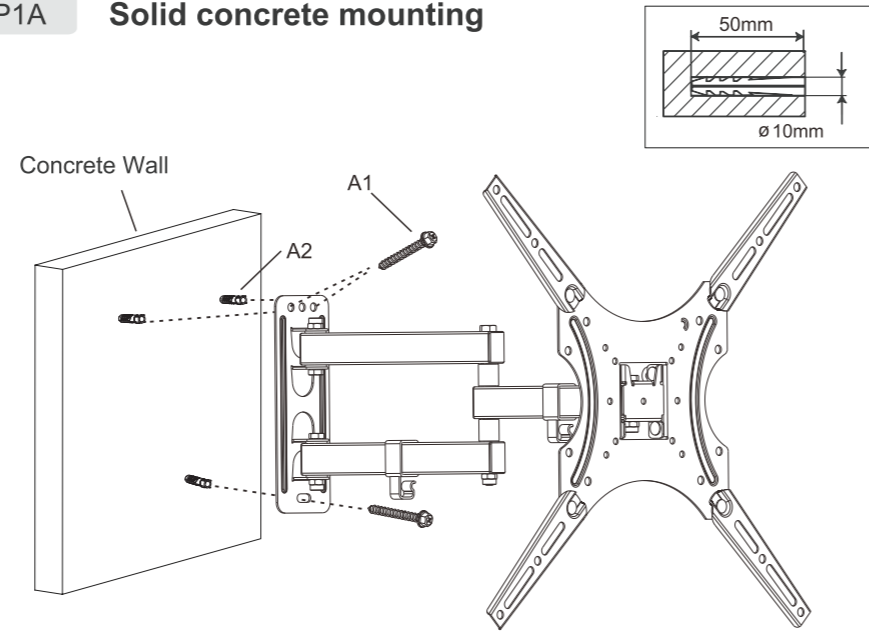
WARNING

1. The wall installed TV bracket must be firmness and tightness , such as concrete wall , solid brick wall and solid wood wall . Do not install on hollow and floppy walls .
2. Tighten screw so that wall plate is firmly attached , but do not overtighten . Overtightening can damage the screws , greatly reducing their holding power .
3. Do not remove screw or loosen screw until it is no longer engaged with the mount . Doing so may cause the screen to fall .
4. For security option , tighten all the screws with security allen wrench .
5. Plat panel TV mounts should be installed by expert.

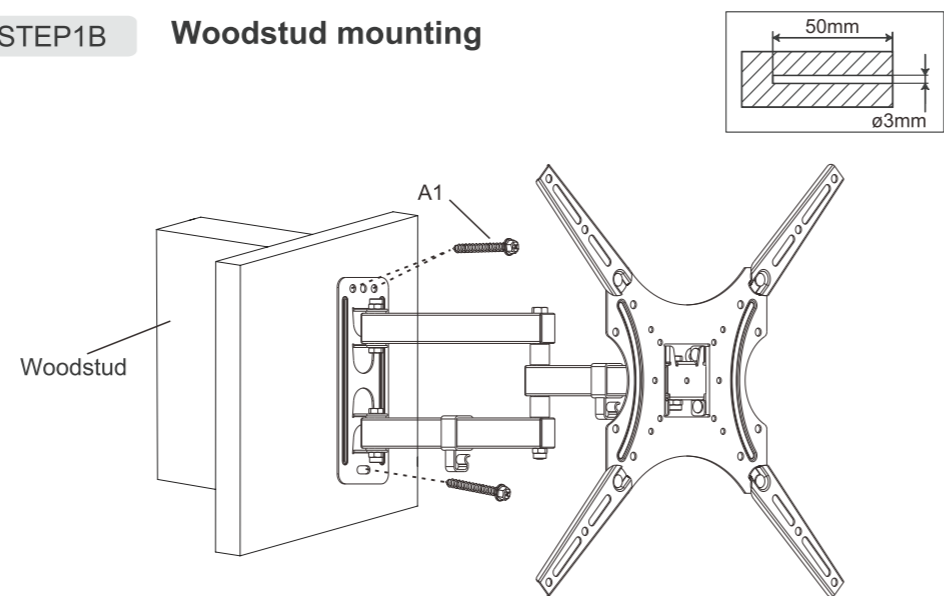
A1		3PCS	D3		4PCS
A2		3PCS	E1		4PCS
B		4PCS	E2		4PCS
C		4PCS	F		2PCS
D1		4PCS	G1		1PCS
D2		4PCS	G2		1PCS



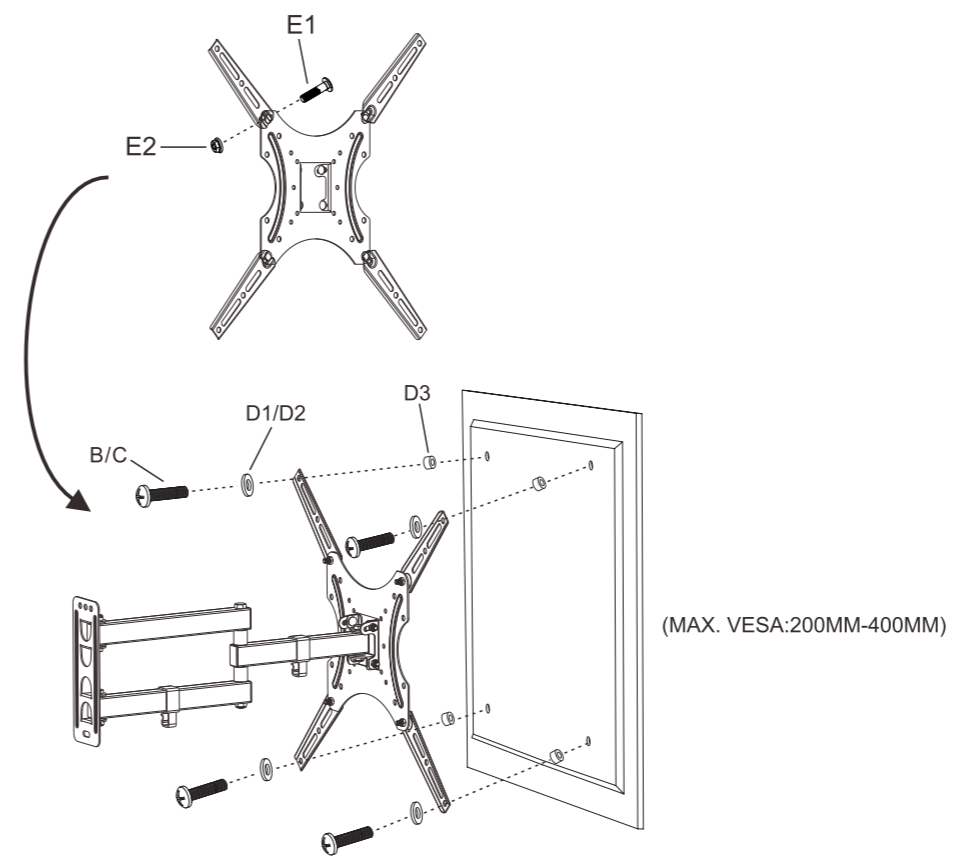
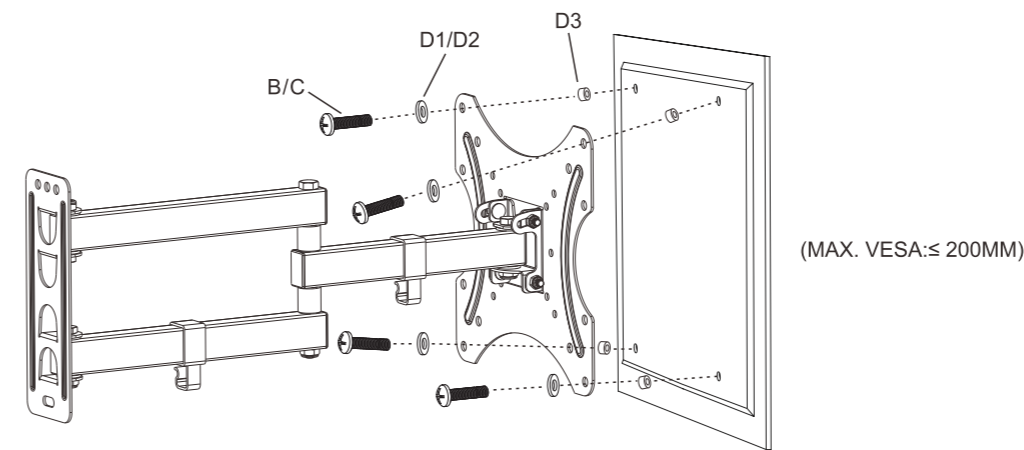
STEP1A Solid concrete mounting



STEP1B Woodstud mounting



STEP2 Attaching brackets to screen



STEP3 Adjust to a suitable angle and tighten the screws

