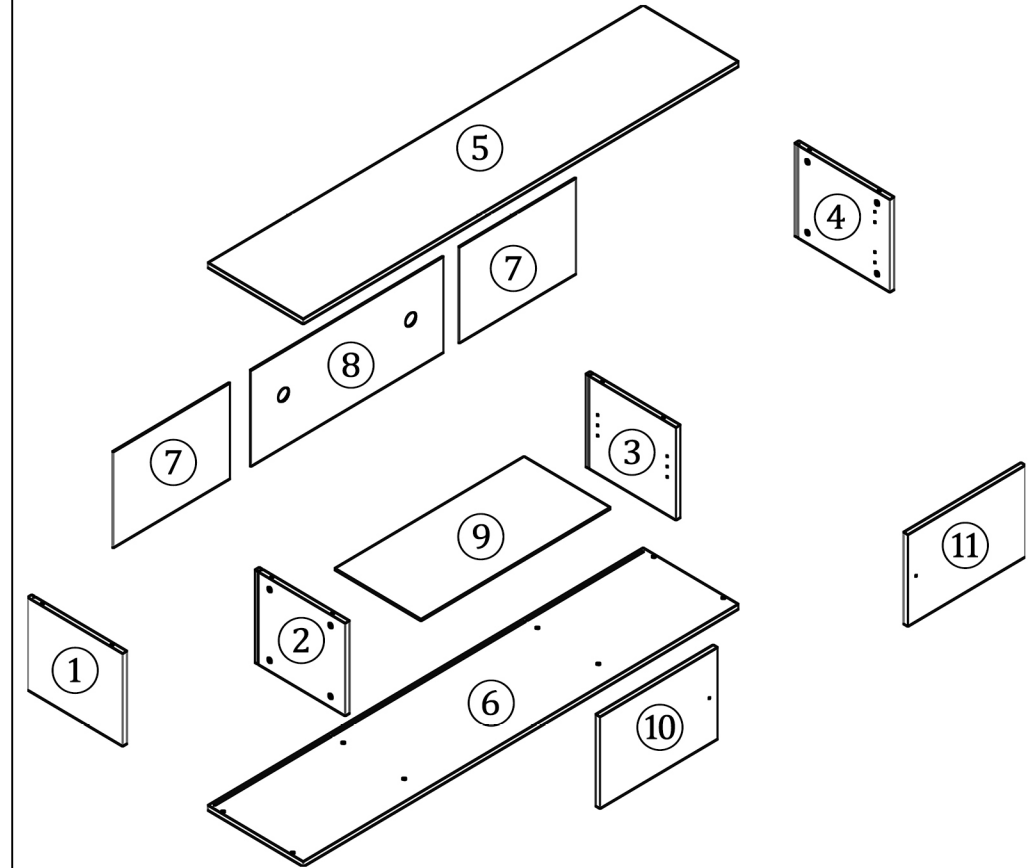
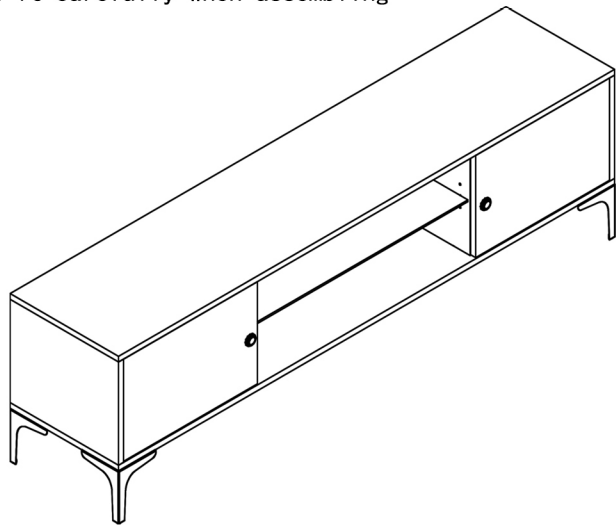






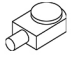






# ASSEMBLY INSTRUCTION

- Please follow the instructions to assemble the items correctly.
- Please ensure the safety of the glass when assembling.
- Do not make the screws too loose or too tight.
- As shown in the figure, Insert the screw into the hole.  
The arrow in the picture, Then rotate 90° or 180° clockwise.
- The accessory bag contains some small accessories, which should be kept away from children.
- The remaining parts are spare parts.
- Warm reminder white backboard please install the white side inward
- The operating instruction of RGB light is included in the package , please read it carefully when assembling

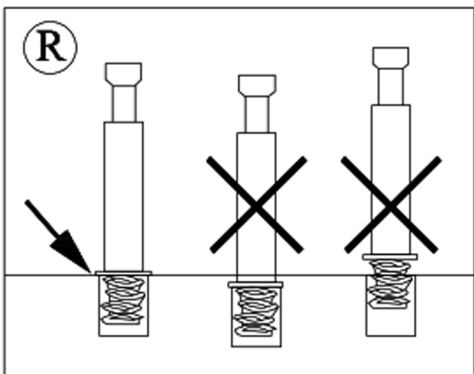
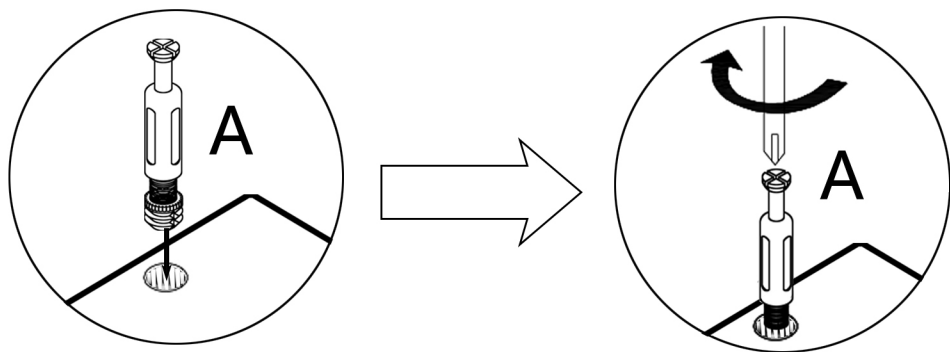


<b>A</b>  16PCS	<b>B</b>  16PCS	<b>C</b>  3.5*14 56PCS	<b>D2</b>  4PCS	<b>F</b>  2PCS	<b>F1</b>  2PCS	<b>G</b>  4PCS
<b>Y</b>  12PCS	<b>AE</b>  4PCS	<b>AE</b>  1PCS	 <b>LED</b>			



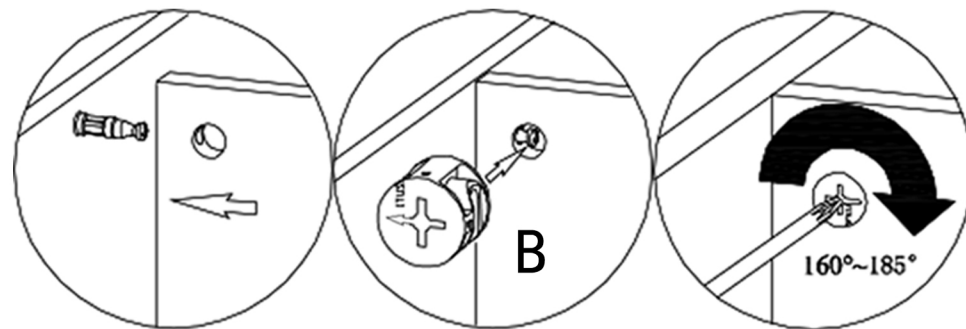
## Hardware installation demonstration

- Please make sure "A" hardware tightened and can't be pulled out



## Hardware installation demonstration

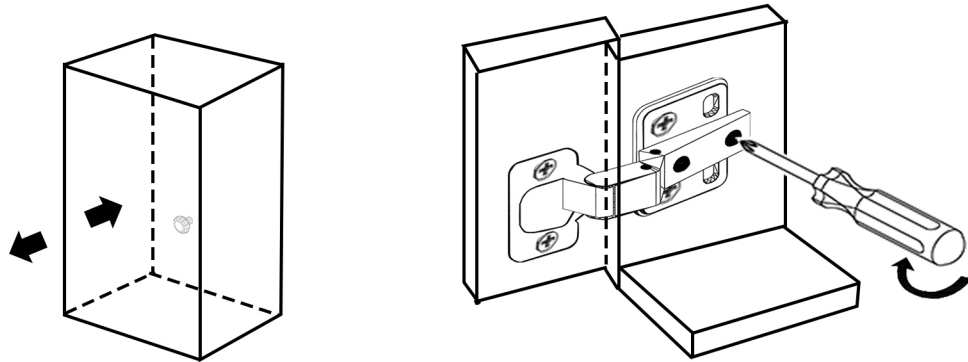
- When inserting cam ensure arrowhead on cam points toward to the hole on the panel edge





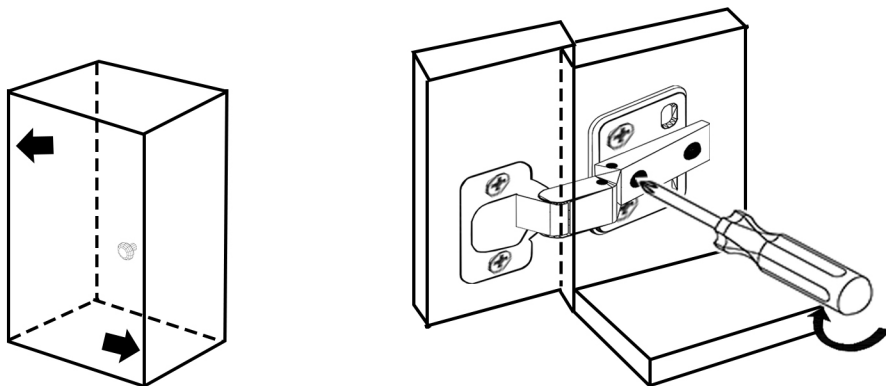
## Hardware installation demonstration

### Cabinet door front and rear adjustment



Adjusting screws can change the gap between the door panel and the cabinet side

### Cabinet door left and right adjustment

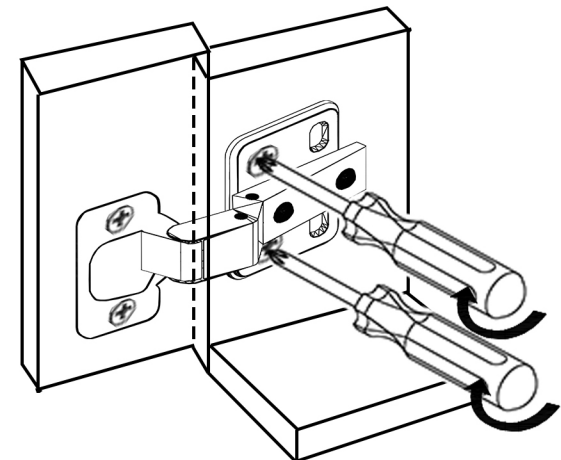
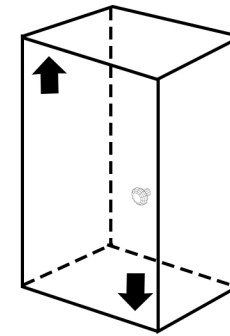


Adjusting screws can change the door panel relative to the cabinet next to the coverage



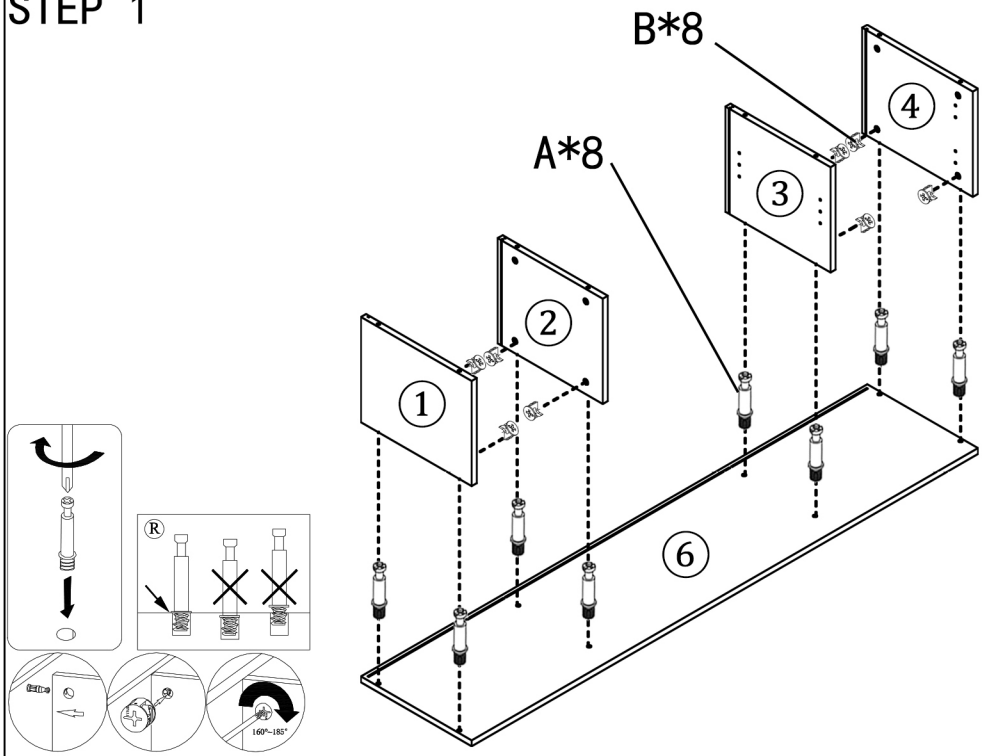
## Hardware installation demonstration

### Cabinet door up and down adjustment

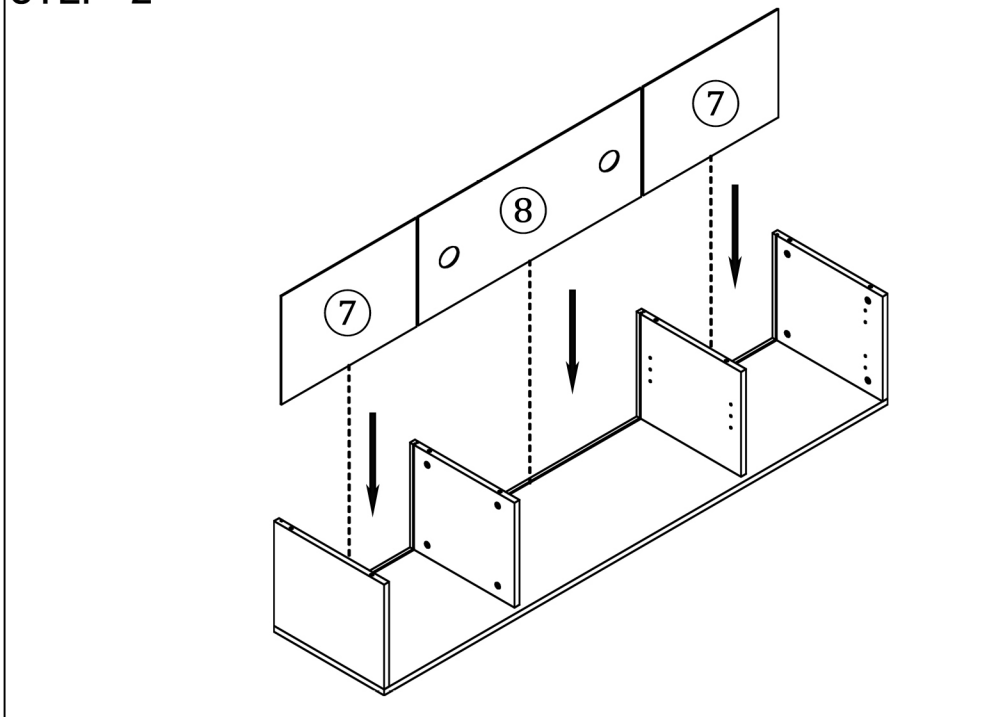


Adjusting screws can correct the upper and lower clearance of the door panel

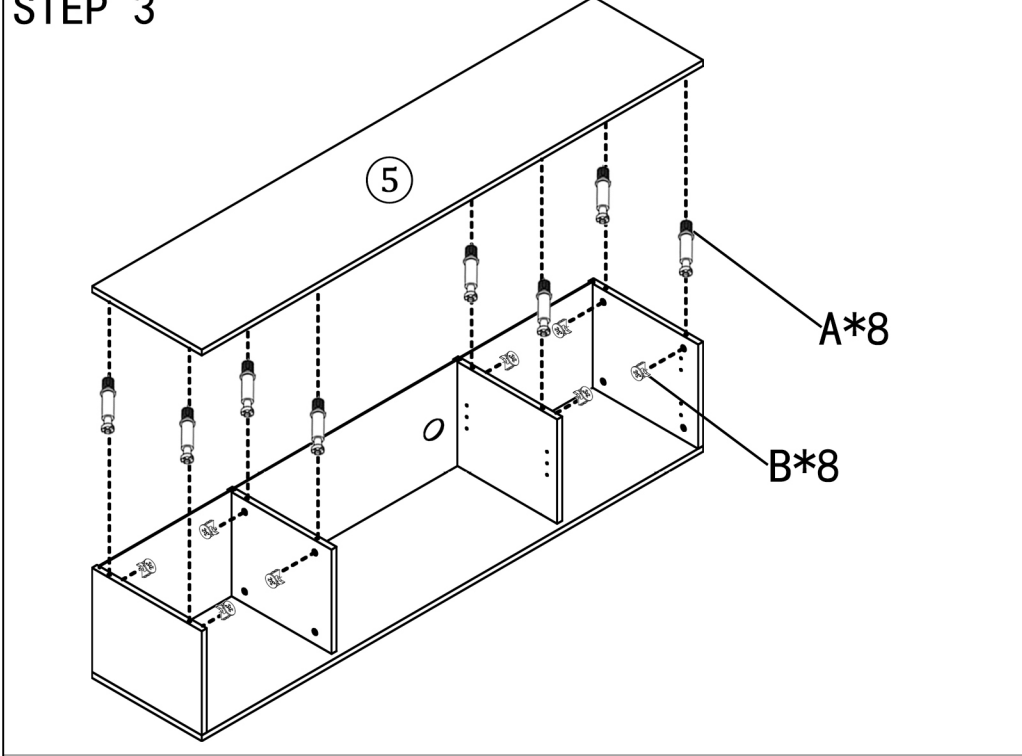
### STEP 1



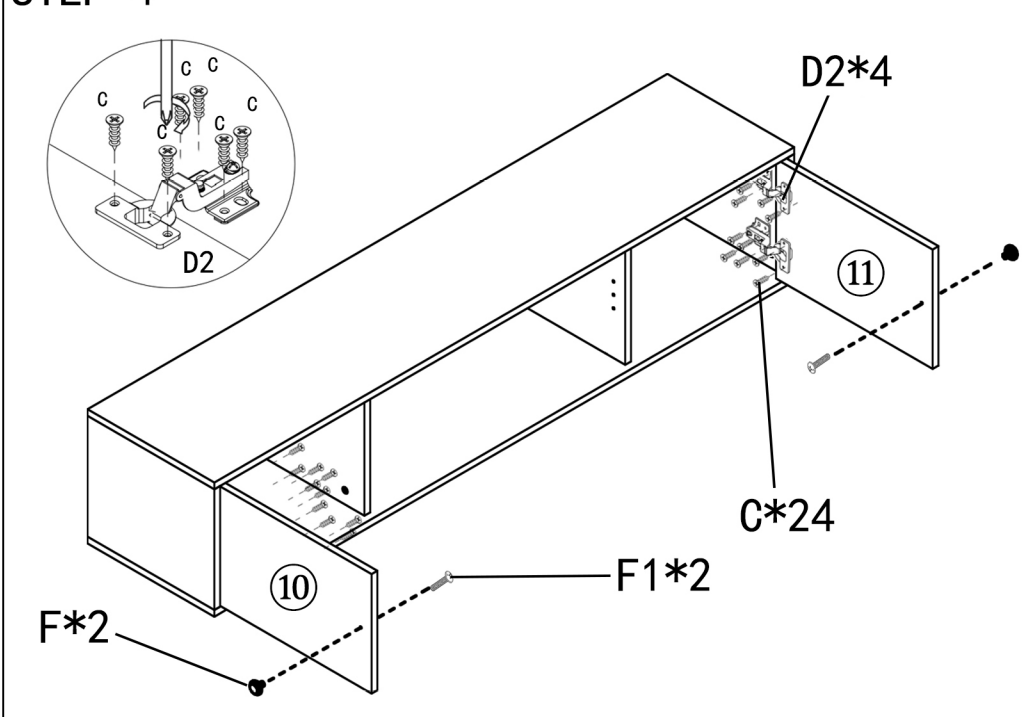
### STEP 2



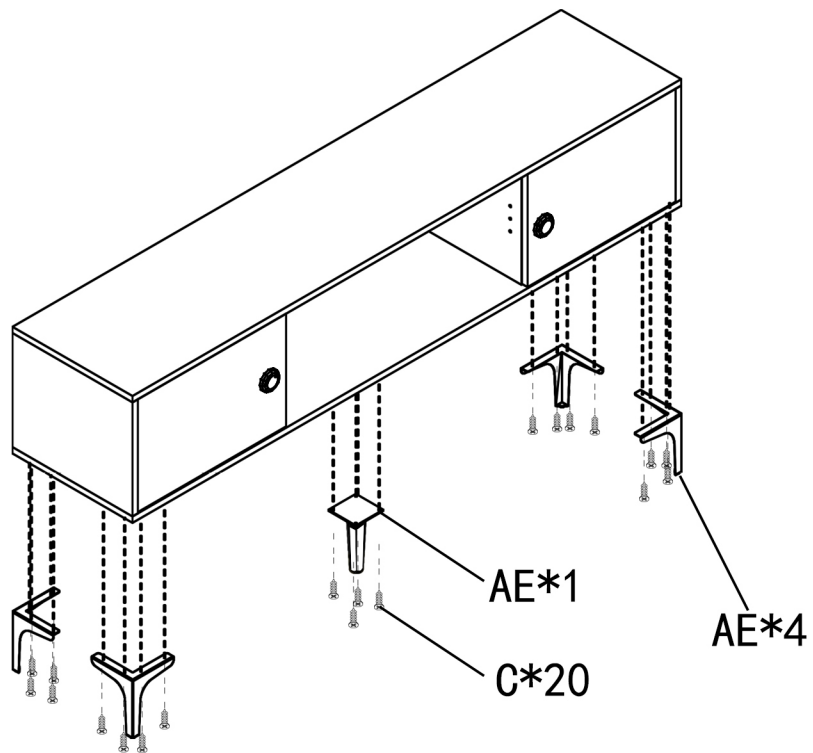
### STEP 3



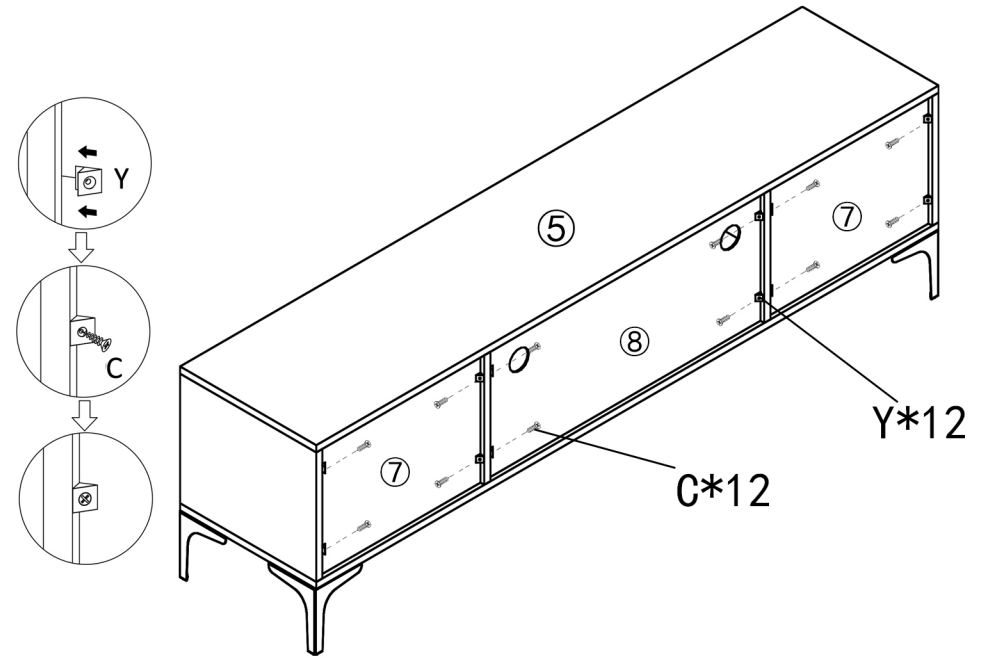
### STEP 4



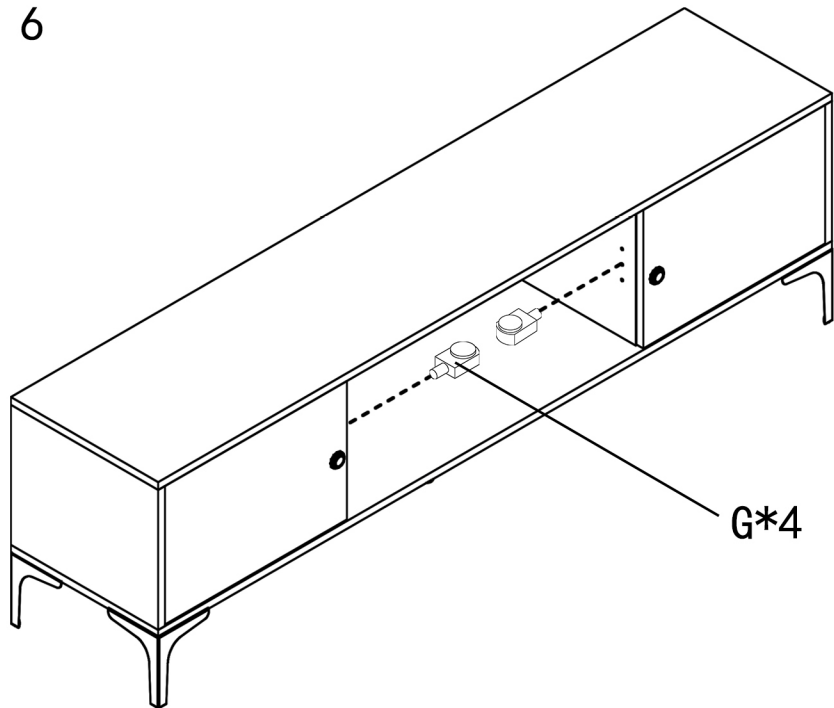
### STEP 5



### STEP 7



### STEP 6



### STEP 8

