

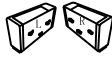
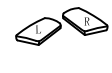
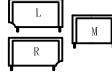
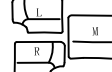


# ASSEMBLY INSTRUCTIONS

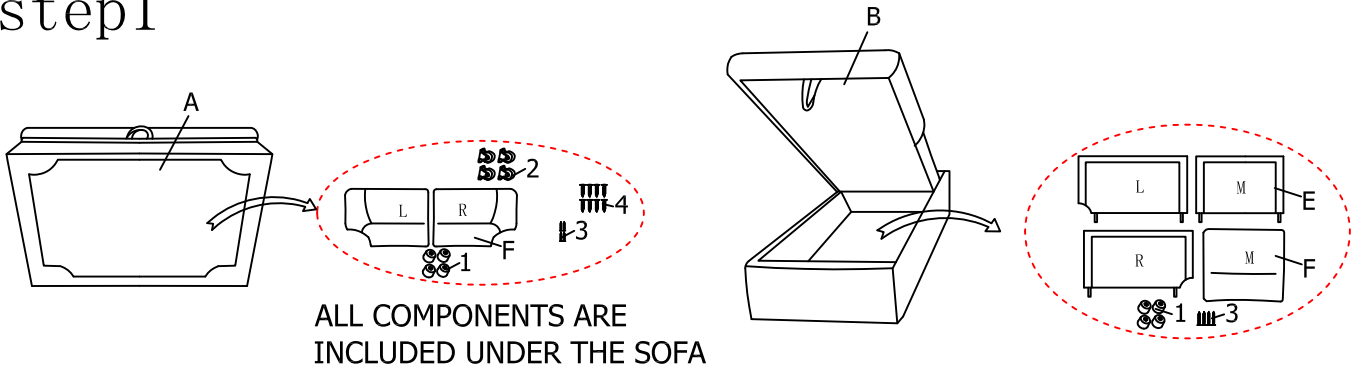
Thank you for purchasing the quality product. Be sure to check all packing material carefully for small parts which may have come loose inside the carton during shipment. Separate, identify and count all parts and metal hardware. Compare with all parts list to be sure all parts are present. If any part(s) are missing or damaged, please contact your local furniture dealer. For efficient and speedy service, please indicate the model number and code letter of part(s) needed.

\*\*\*Do not fully tighten screws until fully assembled\*\*\*

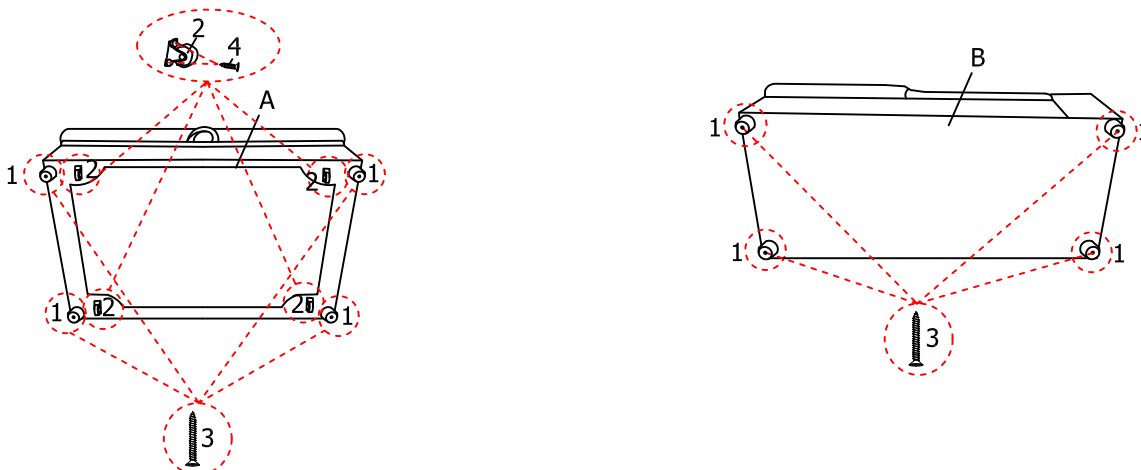
COMPONENT PARTS			Qty
A		LOVE	1pc
B		CHAISE	1pc
C		ARM	2pcs
D		HAND PILLOW	2pcs
E		BACKREST	3pcs
F		BACKCUSHION	3pcs

HARDWARE LIST			
1		Leg(ø50*50mm)	8pcs
2		Wheel(50mm)	4pcs
3		Screw(M5*50mm)	8pcs
4		Screw(M5*25mm)	8pcs

## step1

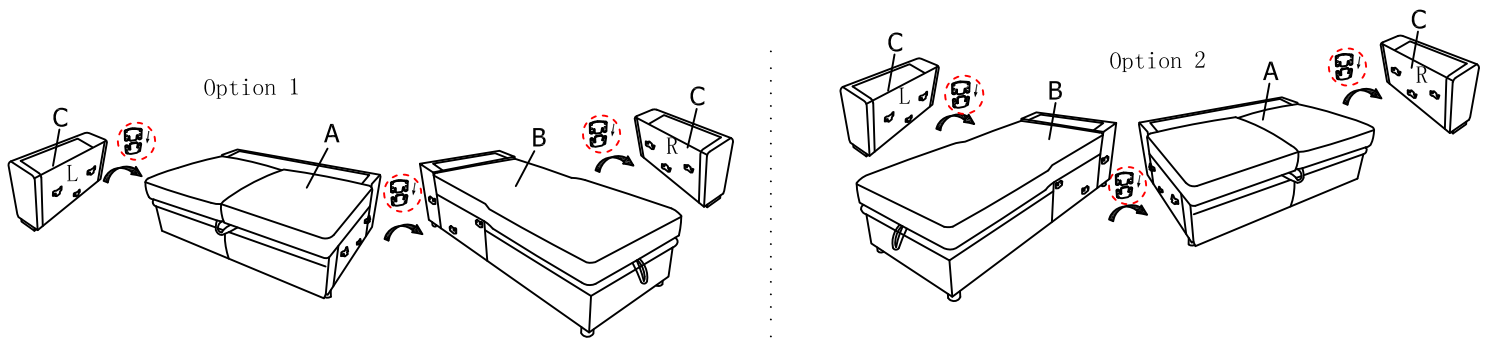


## step2

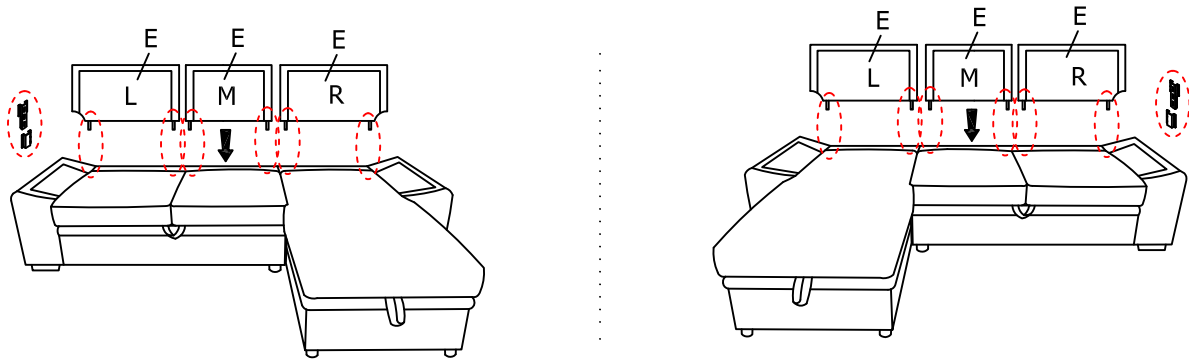


# ASSEMBLY INSTRUCTIONS

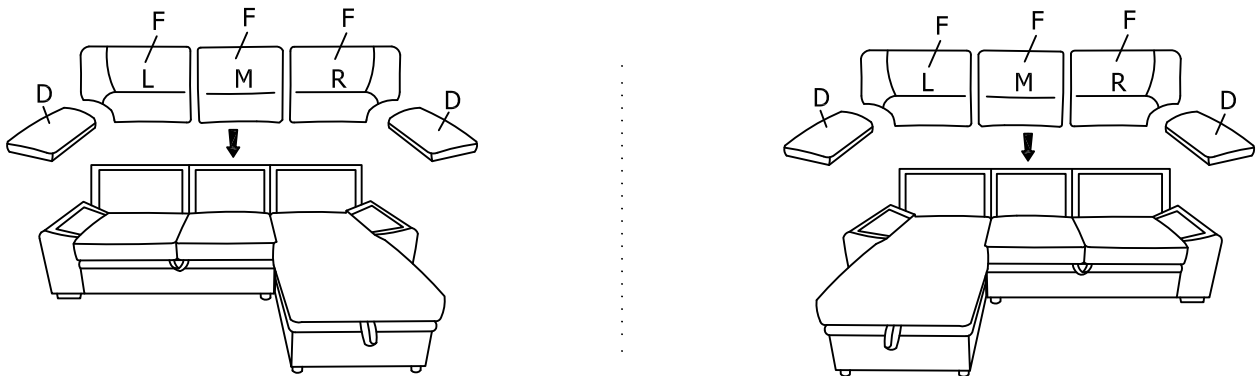
step3



step4



step5



step6

