



Warnings and Cautions

Please retain this instruction for future usage and read carefully before assembly.

Make sure you have all the parts & hardware as item list shows.

3 adults or more are recommended to install your Sunroom.

Do not discard any of the packaging until you have checked that you have all the parts and pack of fittings.

Check all bolts for tightness before use, and periodically check and tighten bolts ensure your gazebo works properly.

Some parts might have sharp edger/corners/Please follow basic safety precautions to reduce the risk of hurts.

Avoid installing and settling the solarium in a corridor of heavy wind.

Some assembly parts contain sharp edges, you should wear protective gloves when handling these items.

For safety issues you must not leave the unit unattended if it is not completed, even if it is already anchored to the ground.

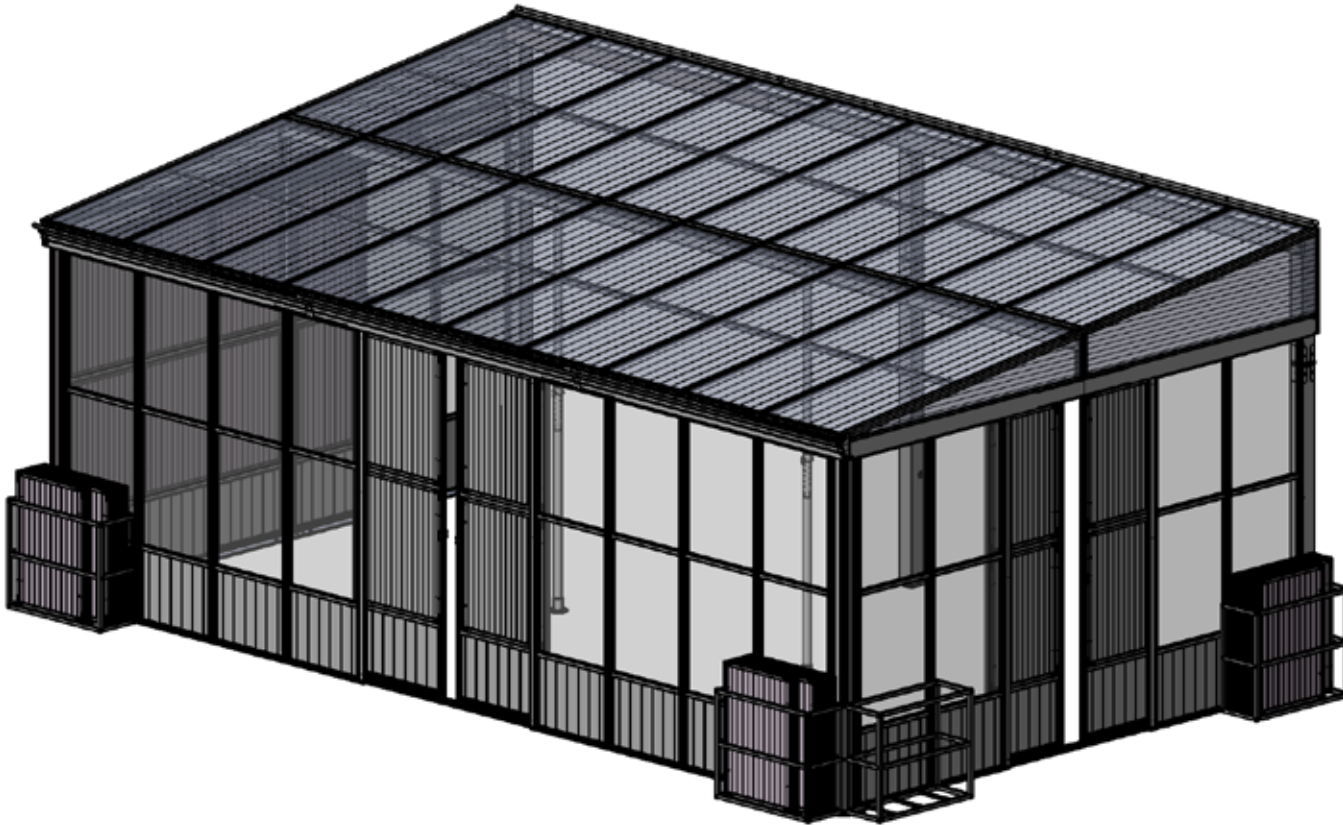
*It is essential to place the gazebo on level ground and not less than **6 feet** from any obstruction such as fences, garages, overhanging branches, laundry lines, or electrical wires.*

If you have questions or concerns.

*Please contact us via email at **service@domioutdoorliving.com***

Domi outdoot living

domi
outdoor living

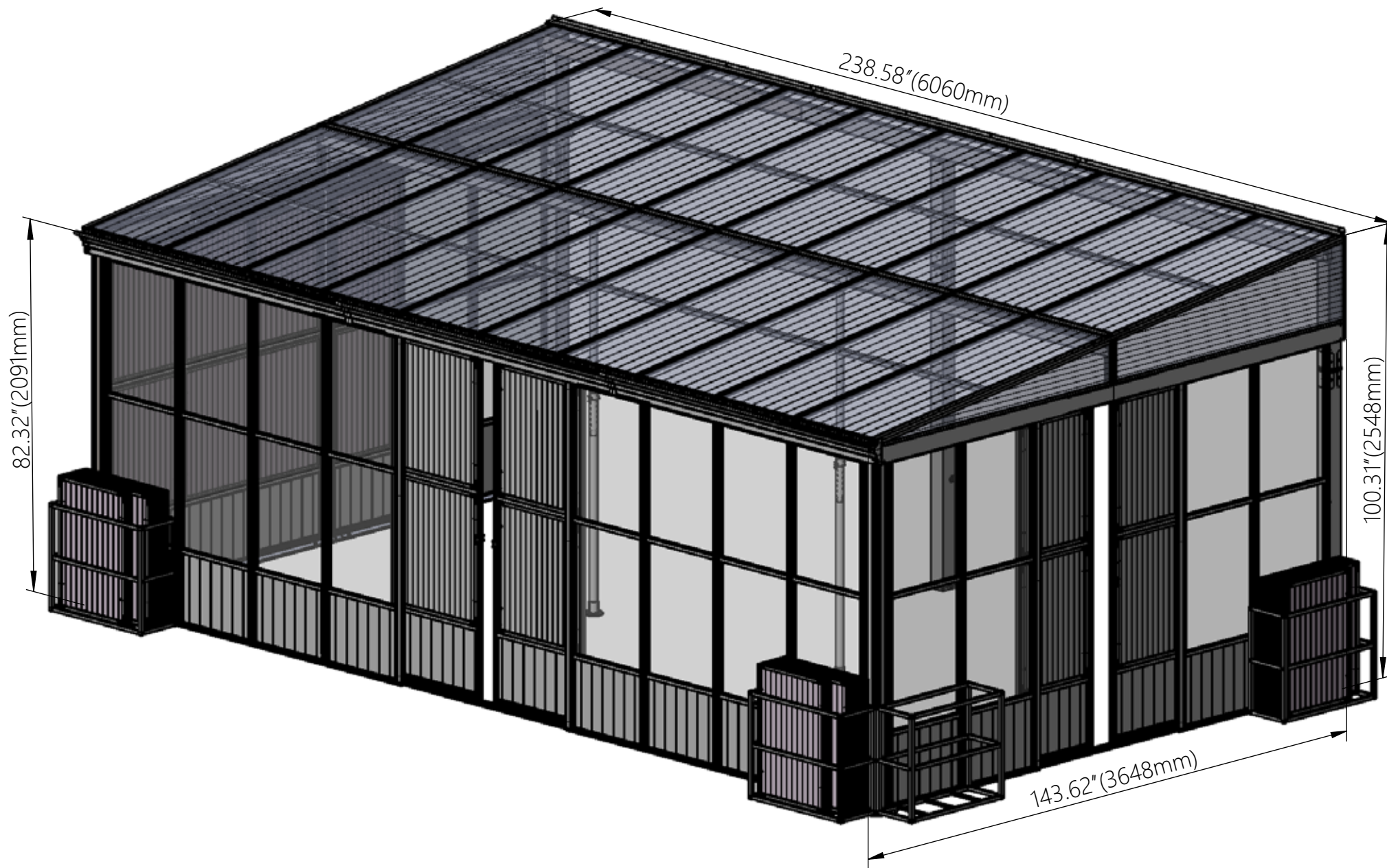


12'x20'

SKU: LGFP1758

Solarium Wall-Mounted
Sunroom

Assembly Manual

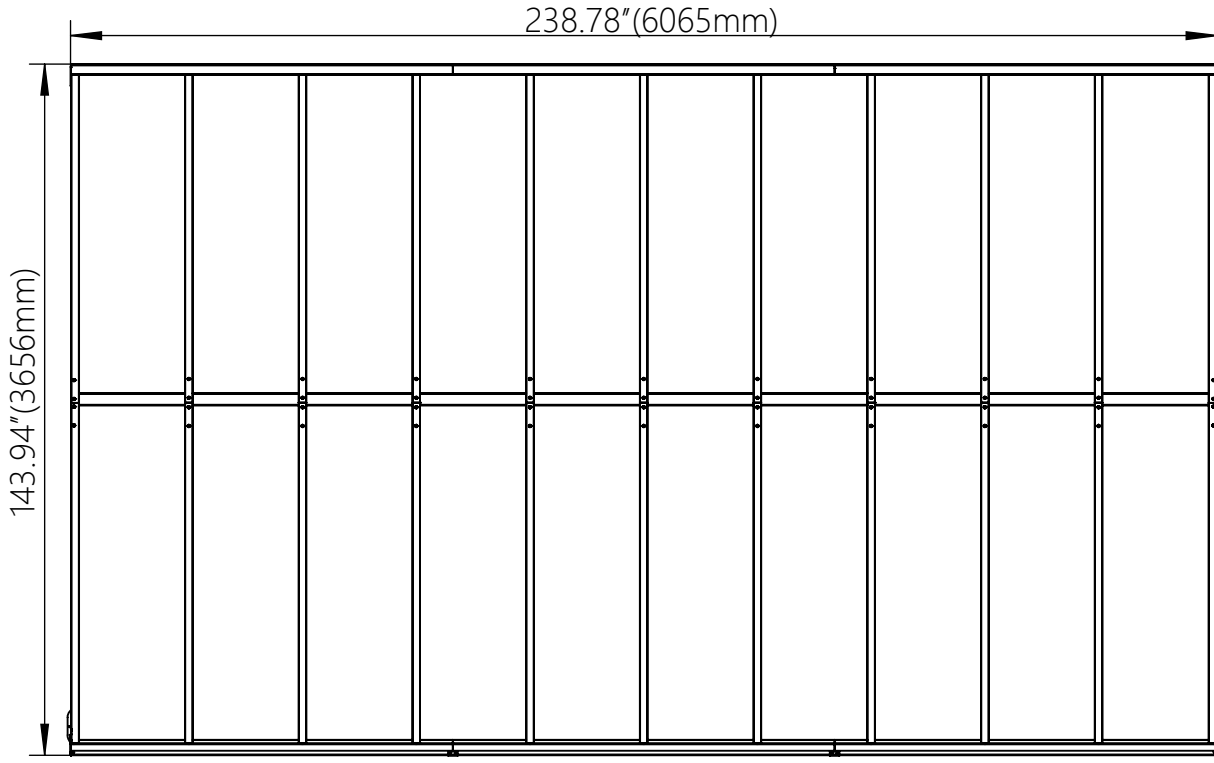
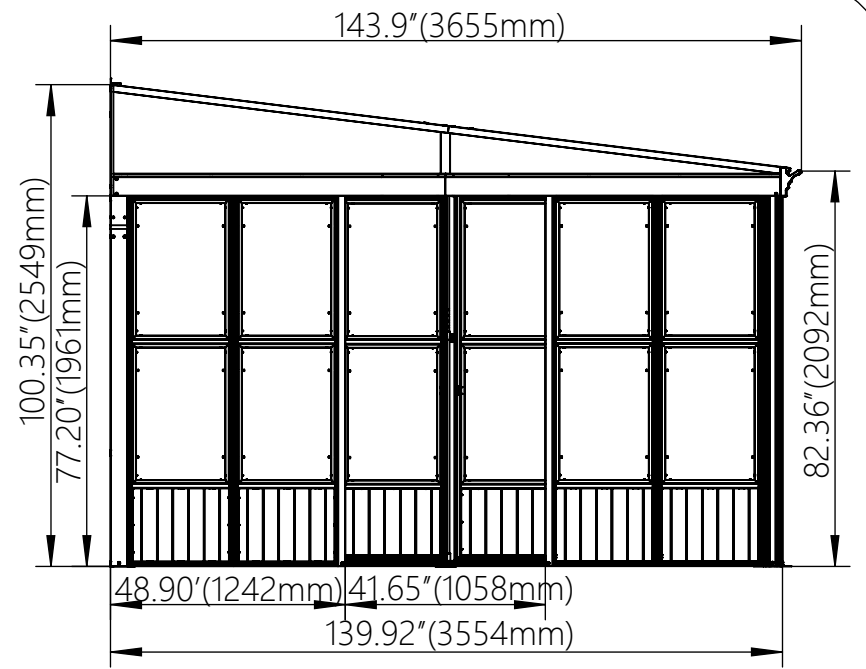
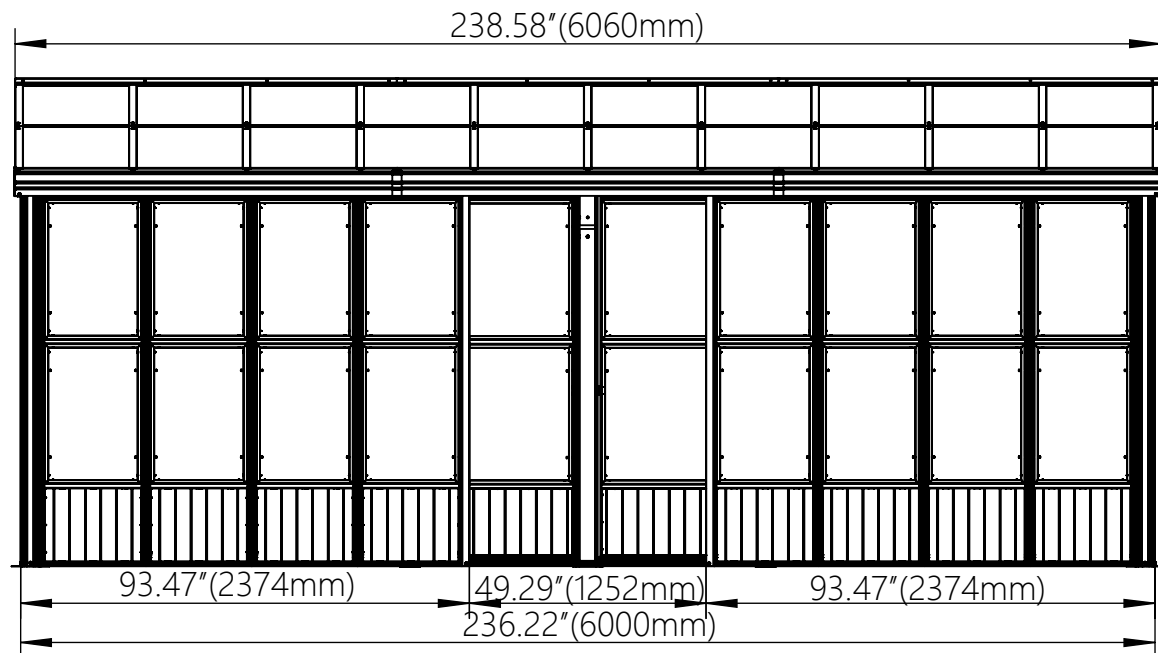


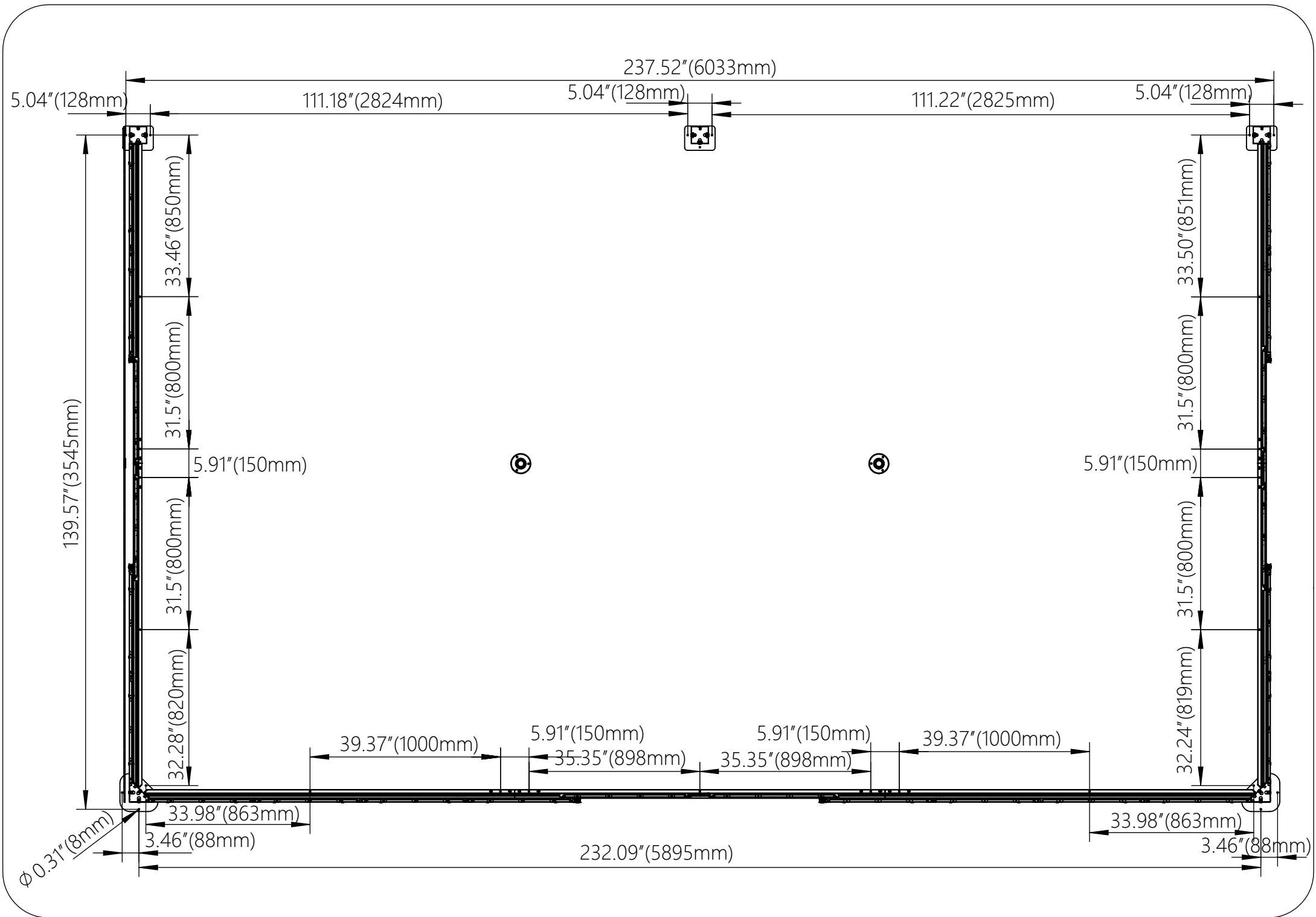
238.58" (6060mm)

82.32" (2091mm)

100.31" (2548mm)

143.62" (3648mm)





Thank you for your purchase of
Domi outdoor living's Sunroom

Read and follow this assembly and operation guide.

To reduce personal injury and damage to you Sunroom

We recommend a **three-person team** for assembly and disassembly.

Please **remove** snow accumulation at all times.

Please schedule enough time to complete the assembly of the sunroom.

It will takes approximately 7 hours to set up.

If you like our products, please tell other customers

If you have problem with our products, please tell us

Please feel free to contact us.

DOMI OUTDOOR LIVING

domi
outdoor living

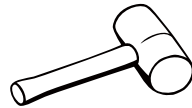
Pre-assembly

TOOLS THAT MAY BE REQUIRED (Not included in boxes)

*NOTE: Tools / equipment are not shown to actual size and scale.



LEVEL



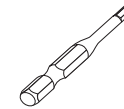
RUBBER Mallet



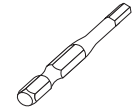
PHILLIPS SCREW



DRILL



ALLEN KEY



ALLEN KEY

EQUIPMENT REQUIRED (Not included in boxes)

*NOTE: Equipment are not shown to actual size and scale.



SAFETY HAT



GLOVES



SAFETY GOGGLES



STEPLADDER

Please leave all the bolts a little loose when assembling and then go back to the end of the assembly process to tighten all of the bolts.

Matters needing attention



1. Three or more people are required for assembly.



2. Do not fully tighten screws prior to complete assembly.

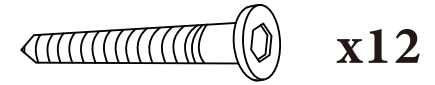
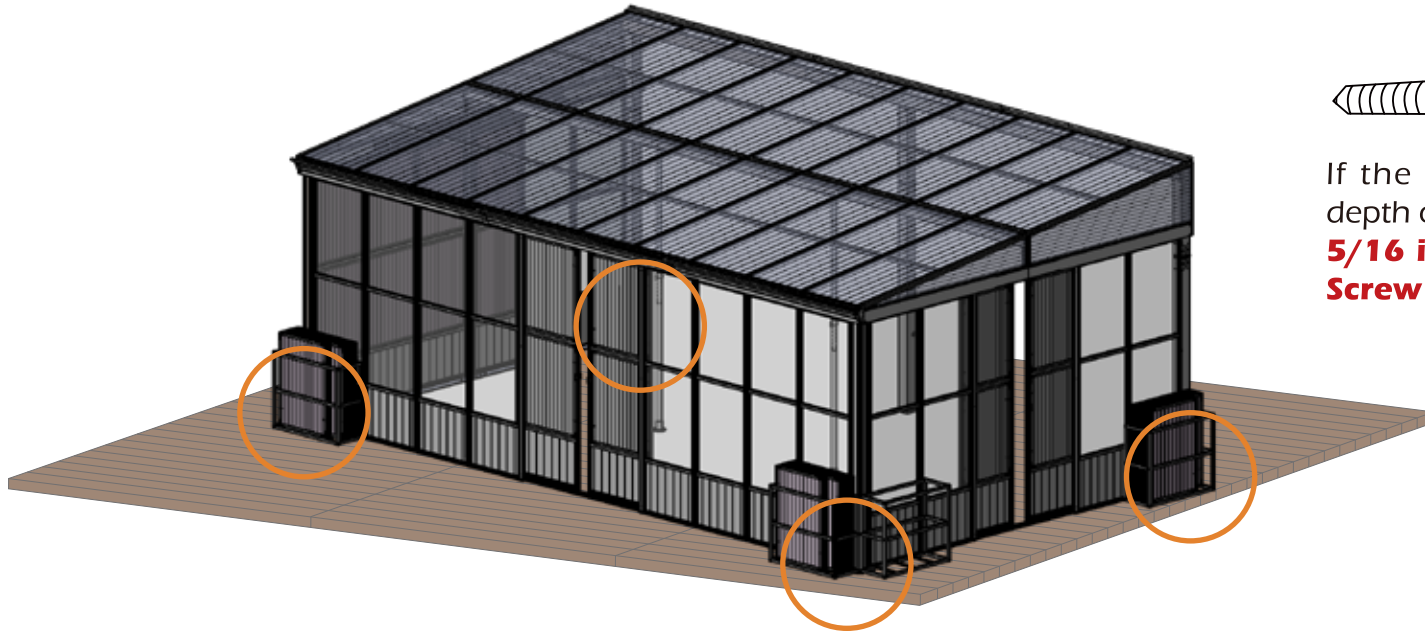
Regulation

IMPORTANT: A sunroom may entail to purchase a municipal permit or be subject to specific building codes. It is the consumer's responsibility to inform themselves of any restrictions.

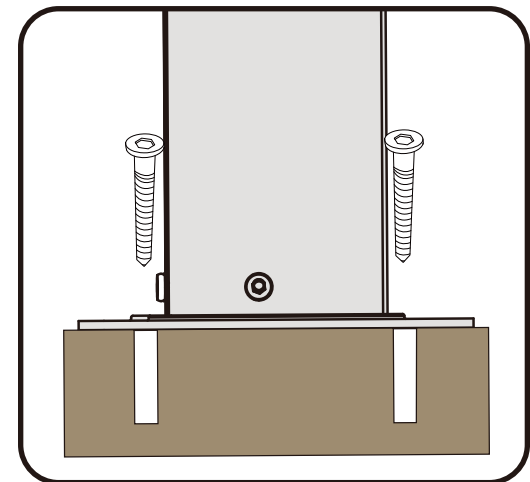
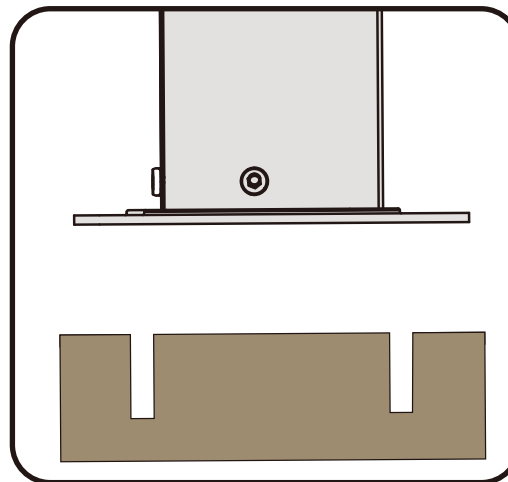
Care and Cleaning:

For cleaning, use a domestic soap or detergent and wash with warm water using a sponge or fabric. Rinse with clean water.

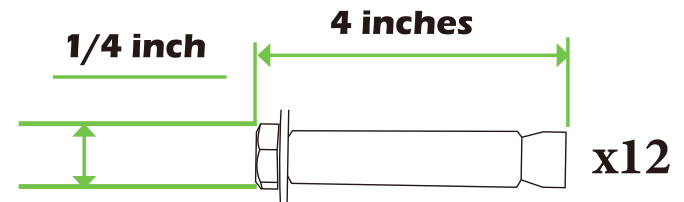
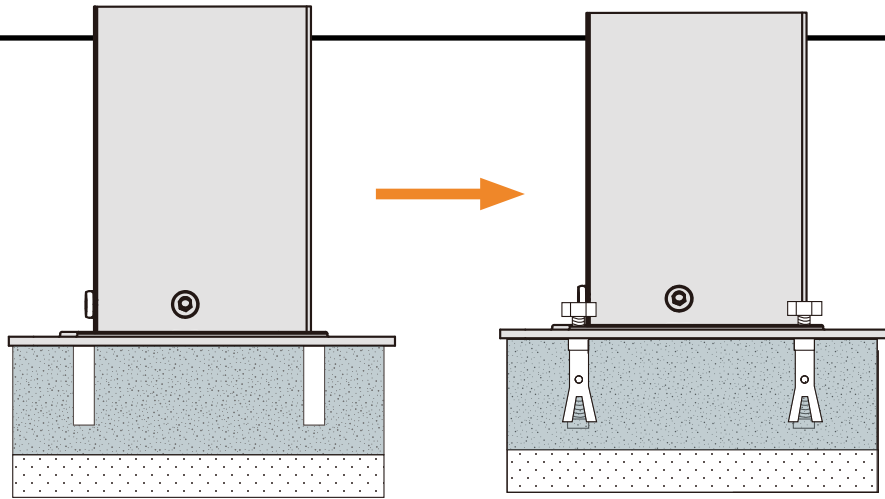
1



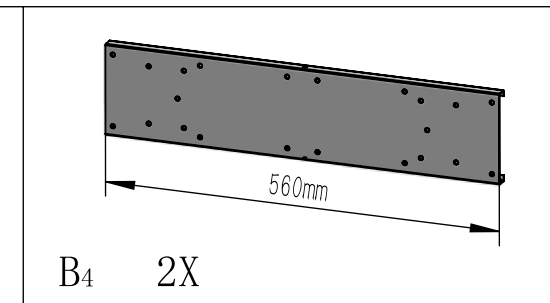
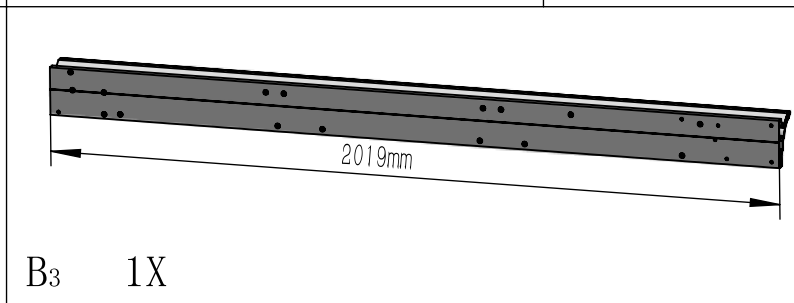
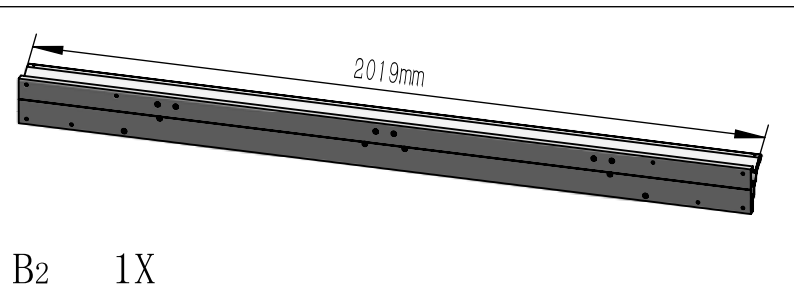
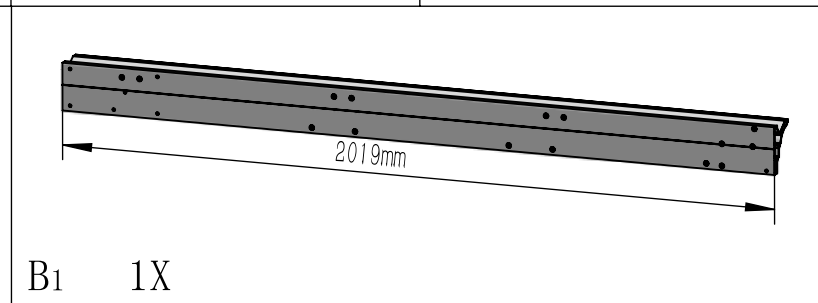
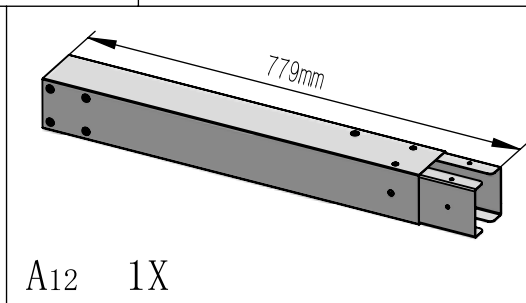
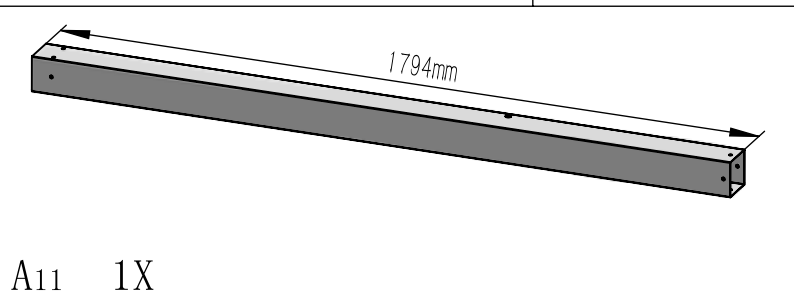
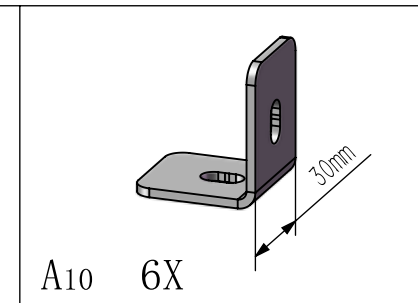
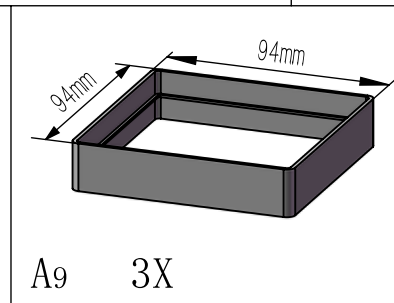
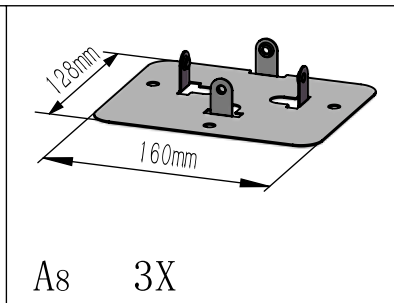
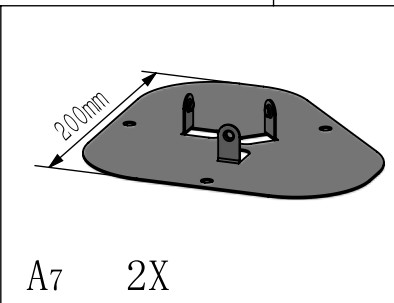
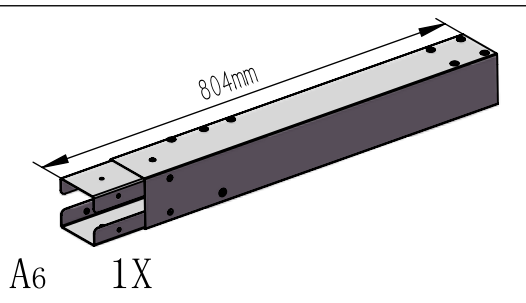
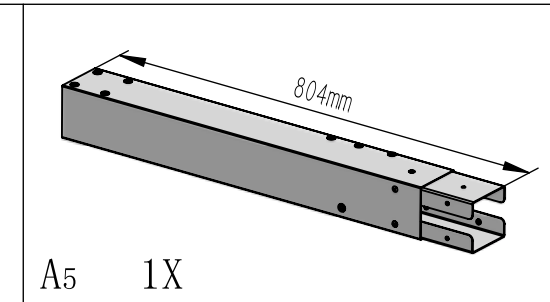
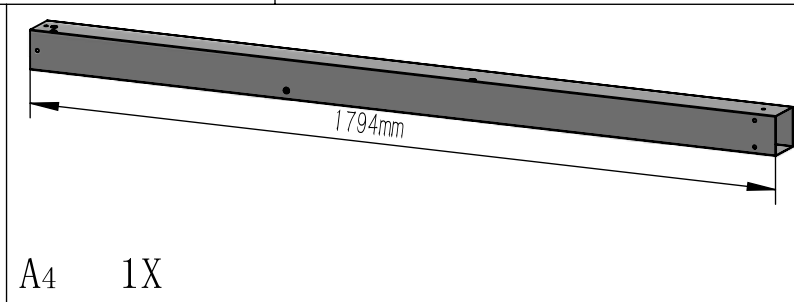
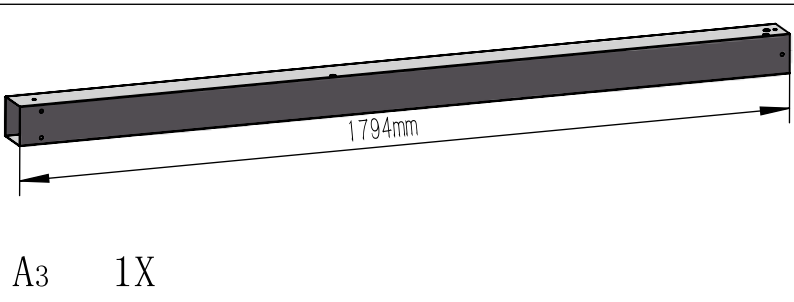
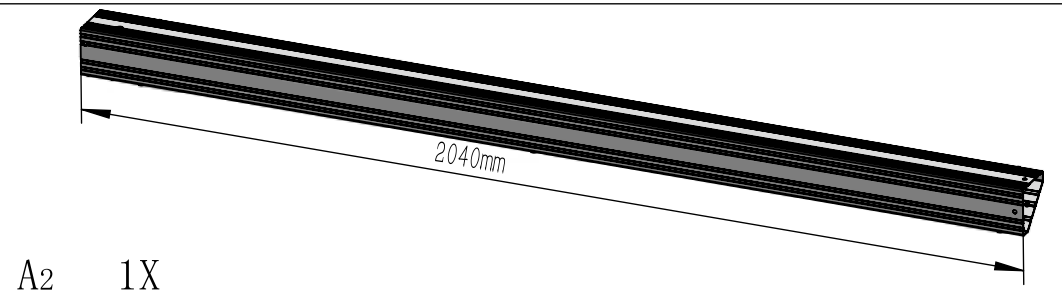
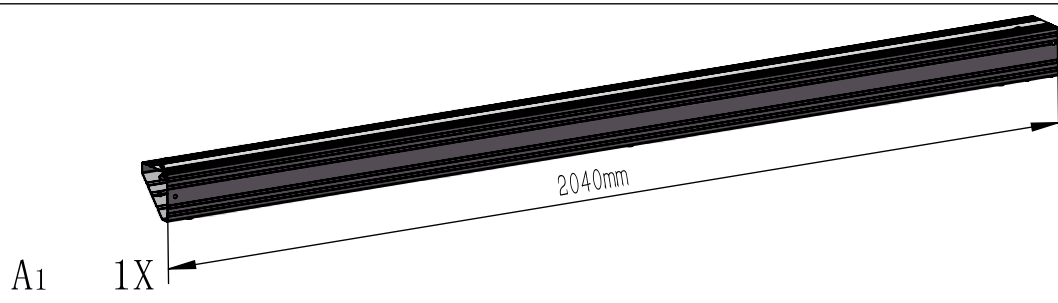
If the deck is hard wood and the depth of it is over 3 inch, you can use **5/16 in. x4 in. Structural Wood Screw** to mount the pergola.



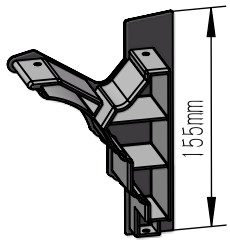
2



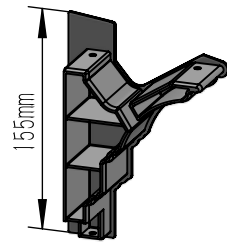
If the ground is concreted and the depth of it is over 3 inch, you can use 1/4 inch expansion bolts to mount the pergola



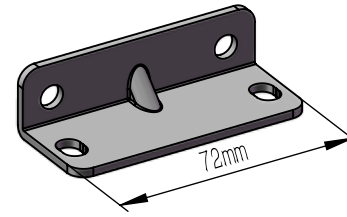
B5 1X



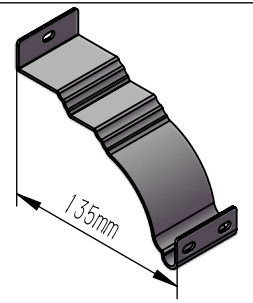
B6 1X



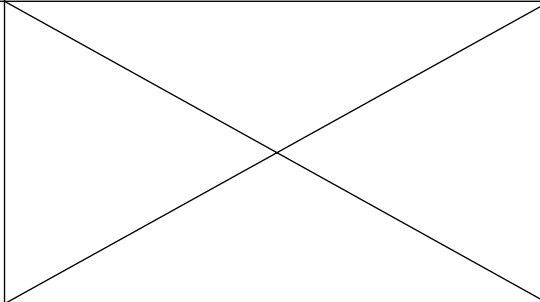
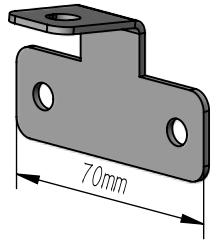
B7 7X



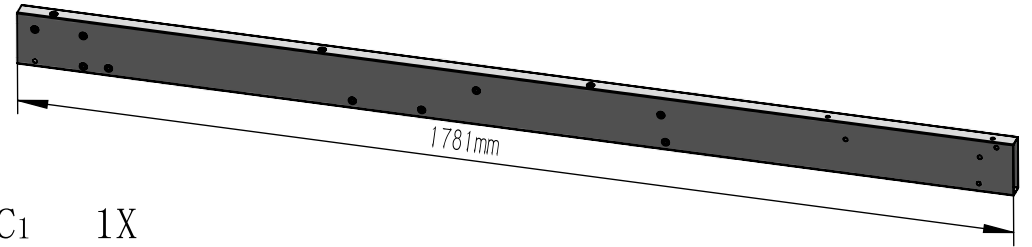
B8 2X



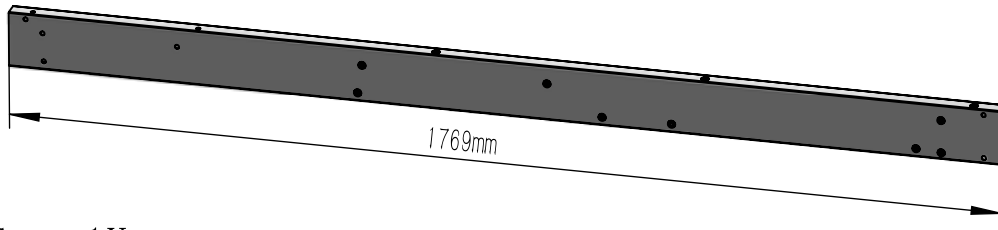
B9 27X



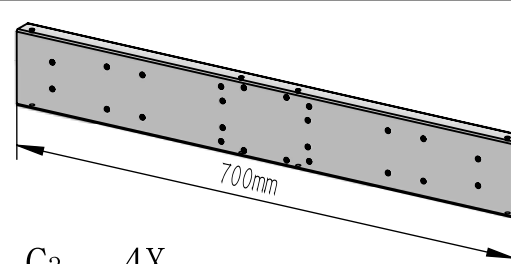
C1 1X



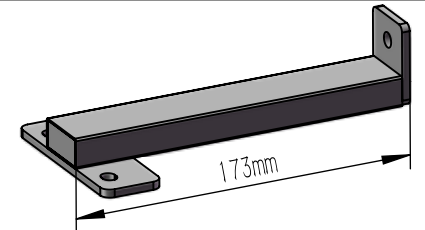
C2 1X



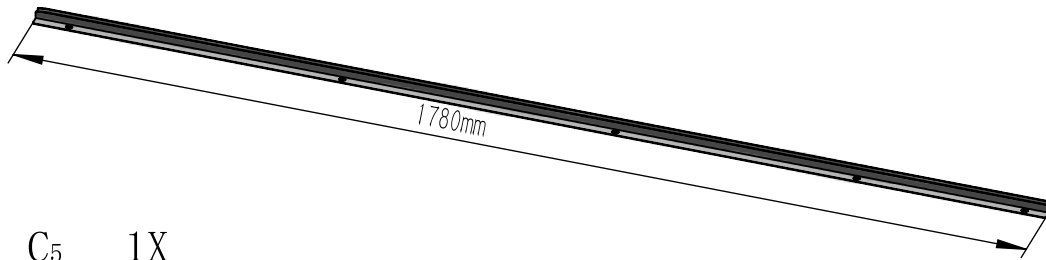
C3 4X



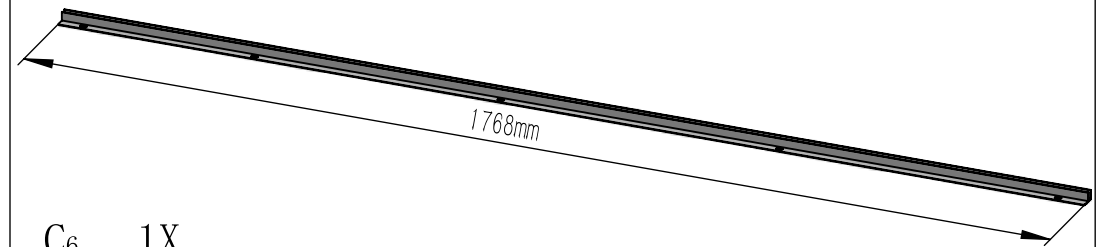
C4 2X



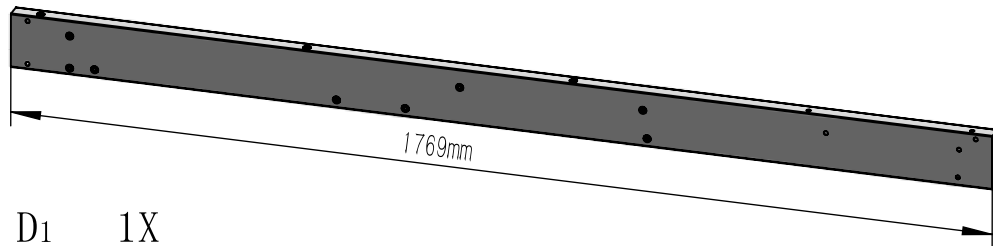
C5 1X



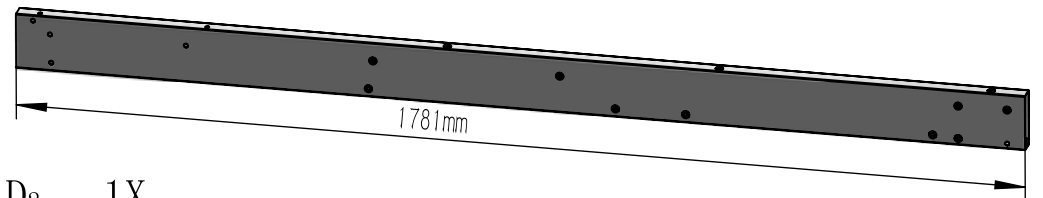
C6 1X

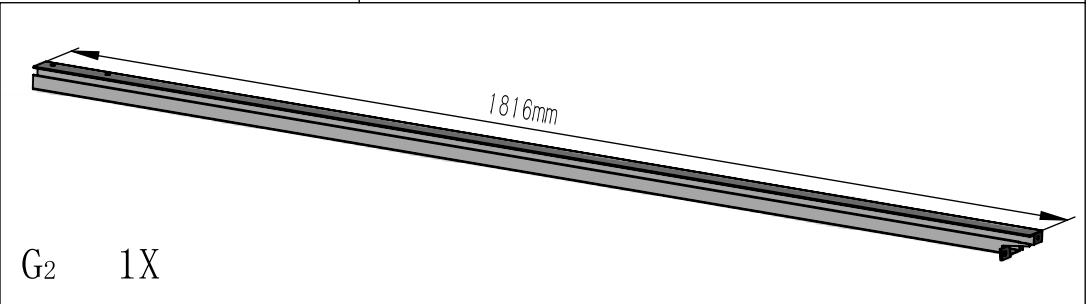
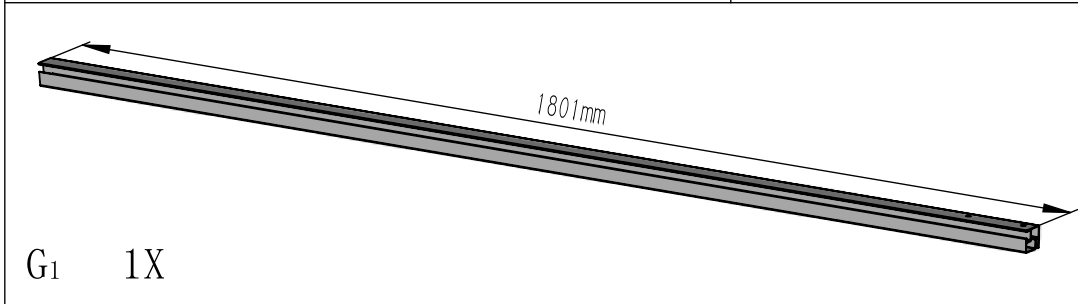
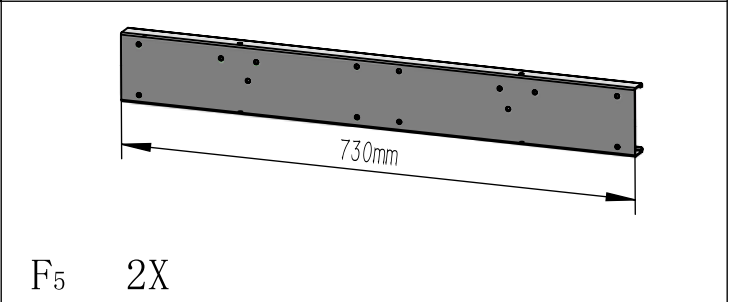
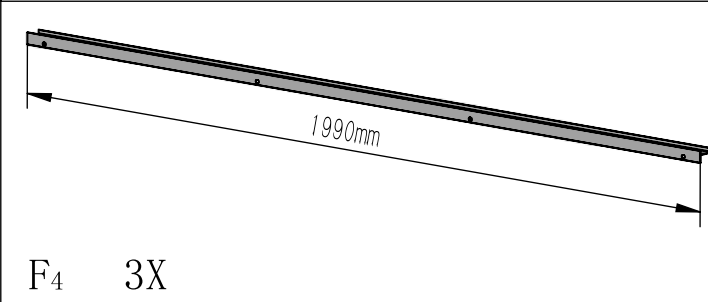
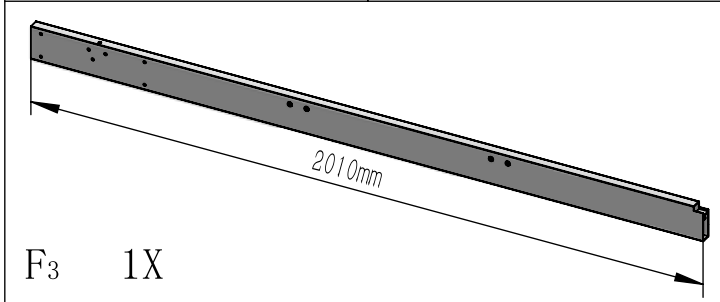
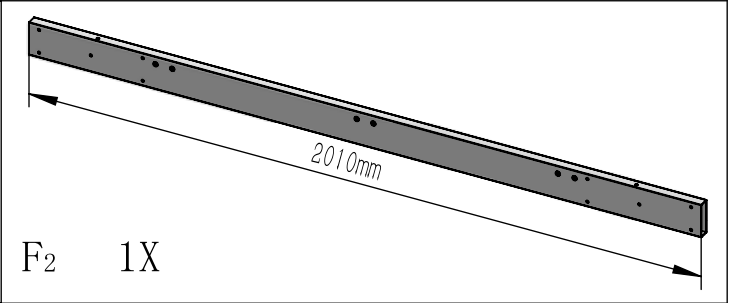
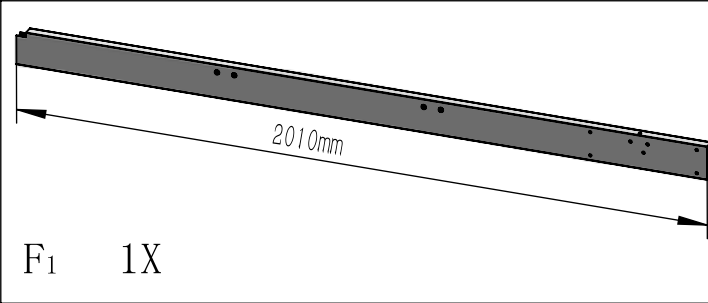
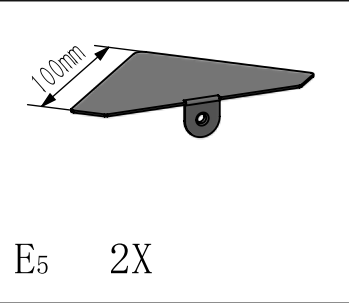
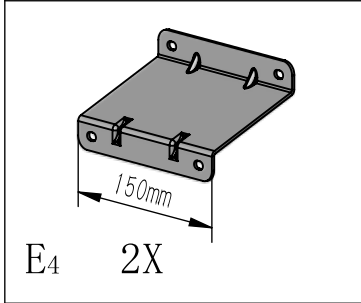
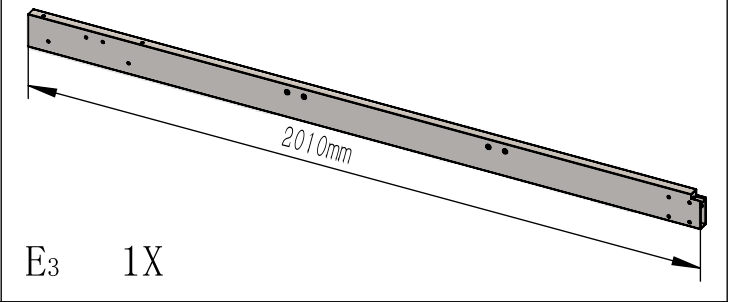
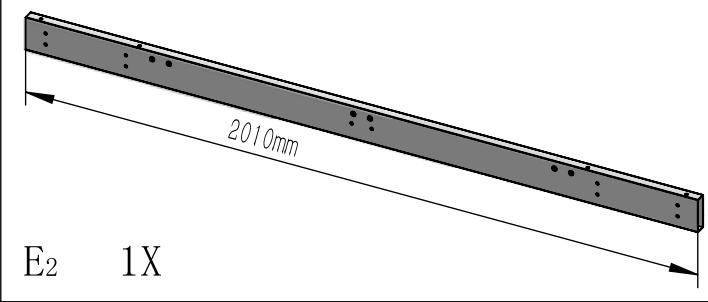
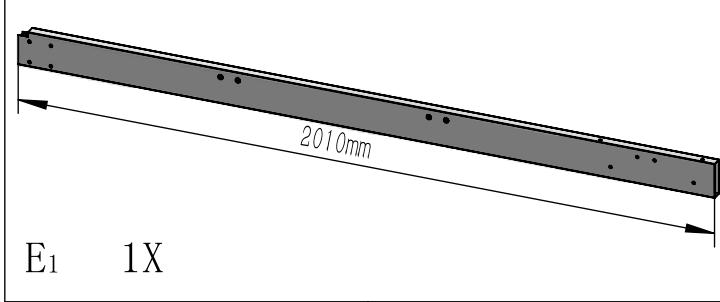
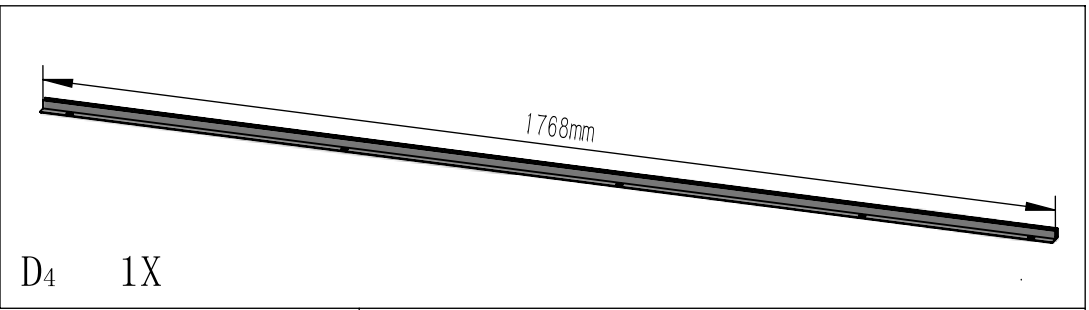
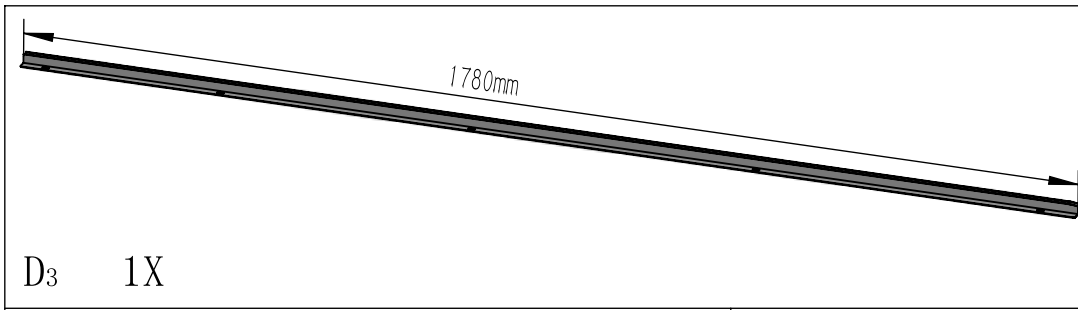


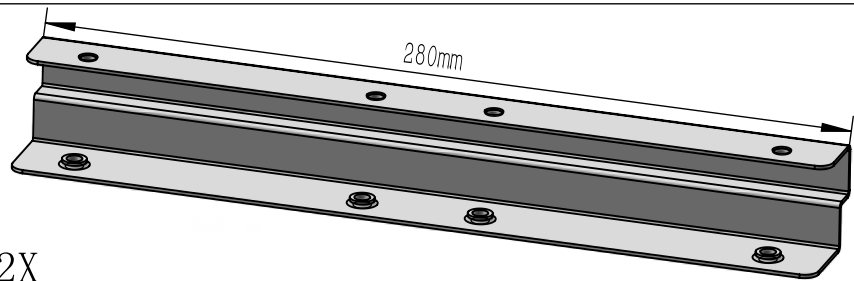
D1 1X



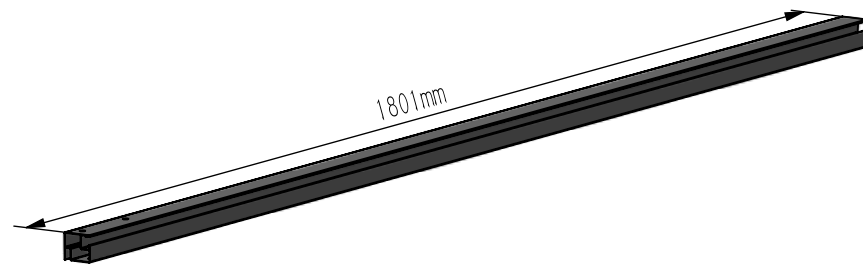
D2 1X



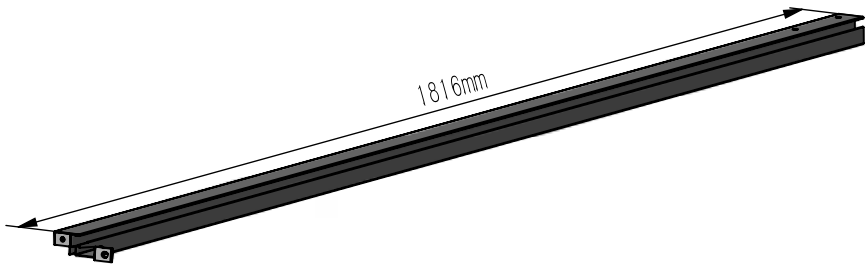




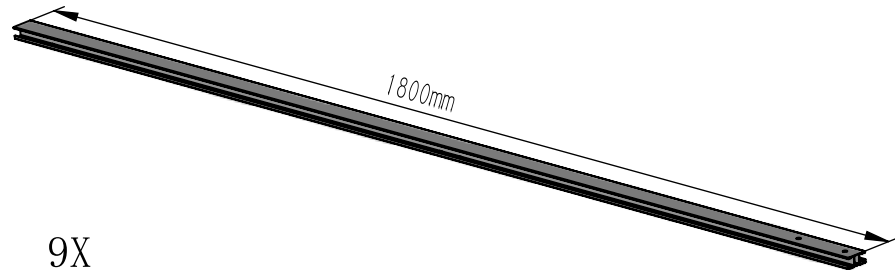
G3 2X



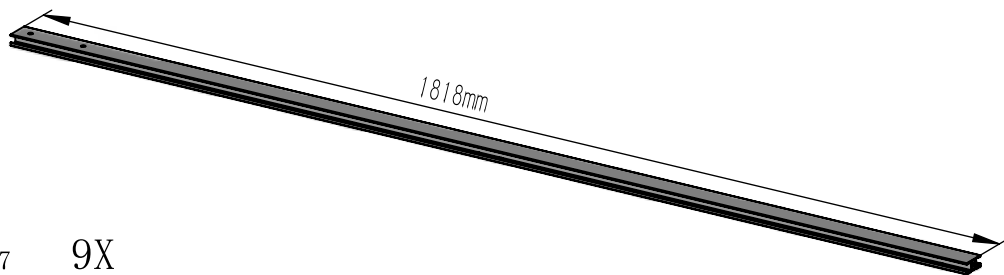
G4 1X



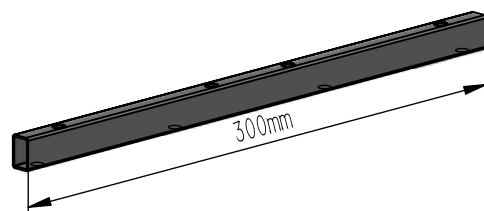
G5 1X



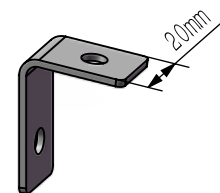
G6 9X



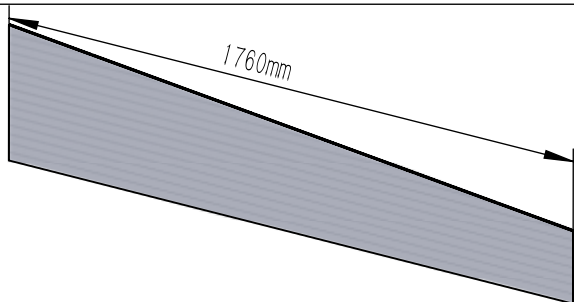
G7 9X



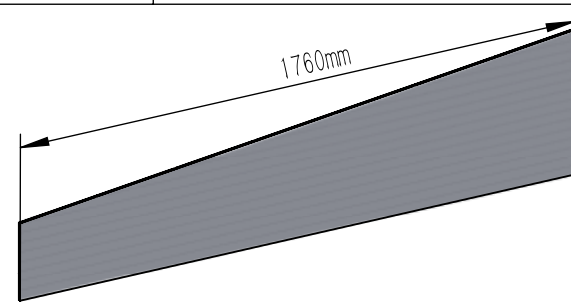
G8 9X



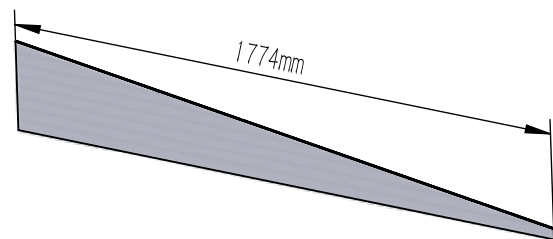
G9 4X



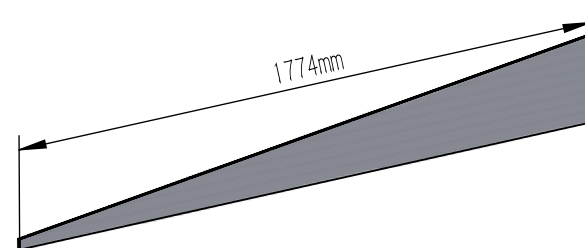
H1 1X



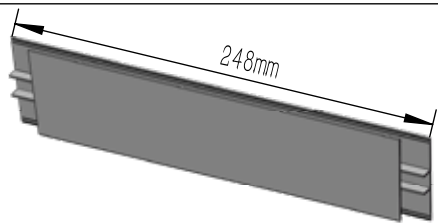
H2 1X



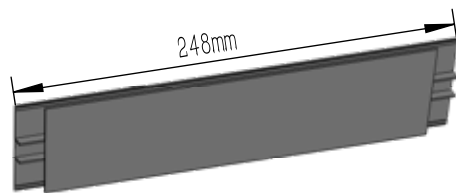
H3 1X



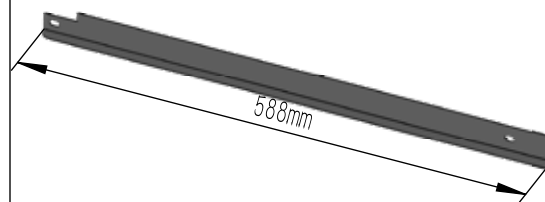
H4 1X



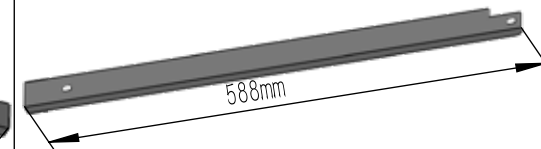
H5 1X



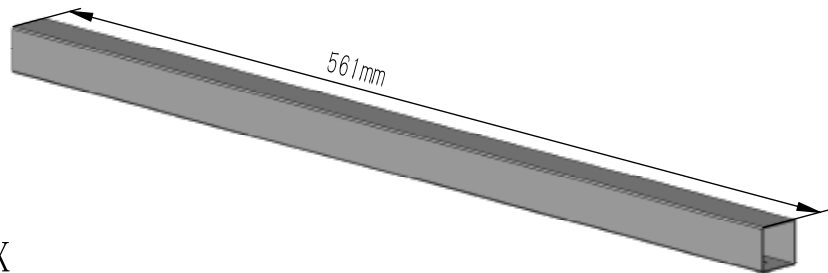
H6 1X



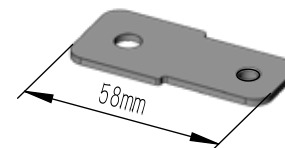
H7 1X



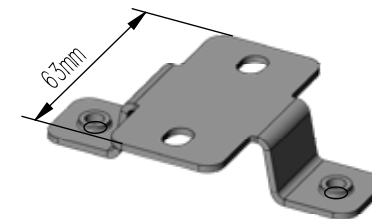
H8 1X



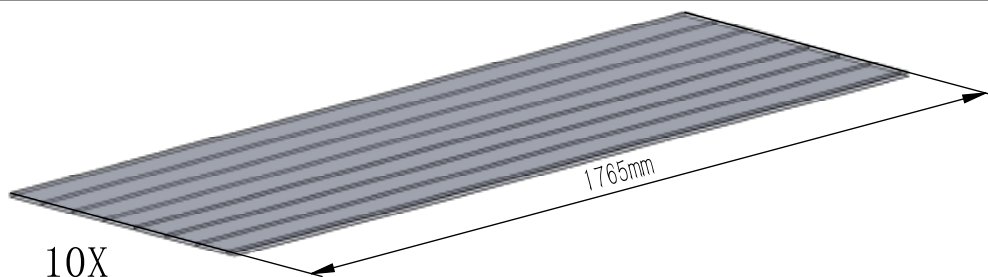
J1 20X



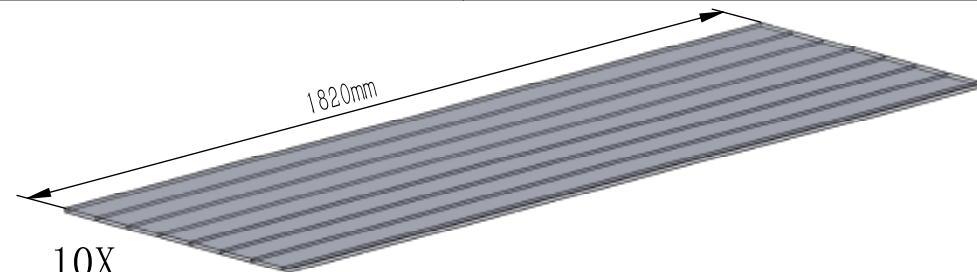
J2 4X



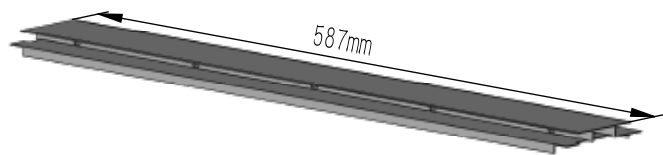
J3 18X



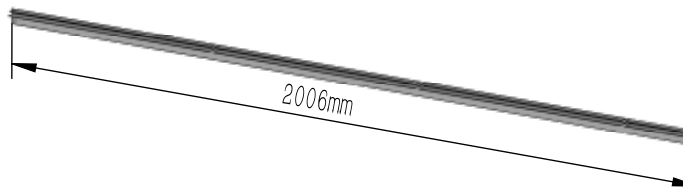
K1 10X



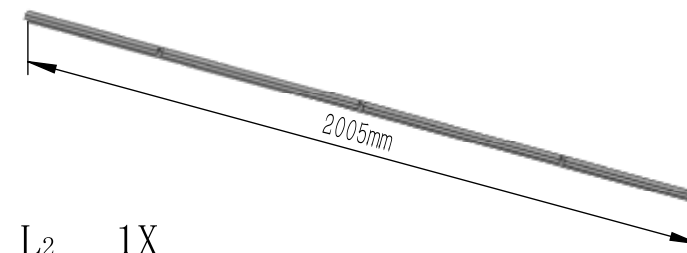
K2 10X



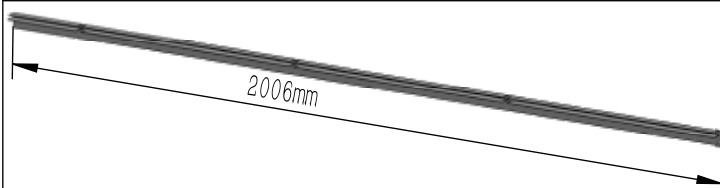
K3 10X



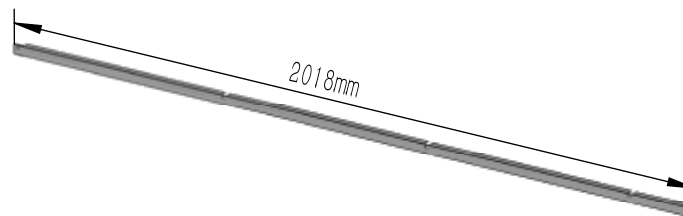
L1 1X



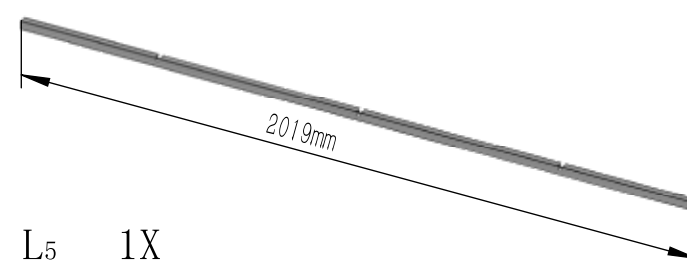
L2 1X



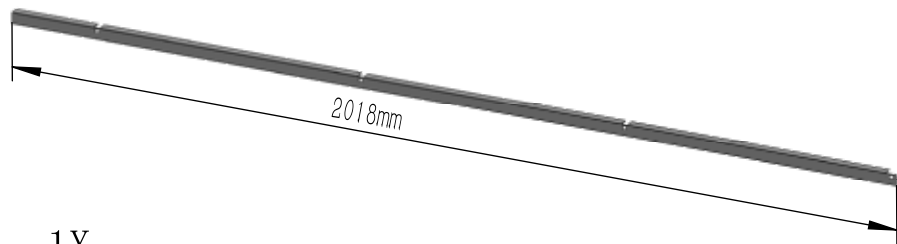
L3 1X



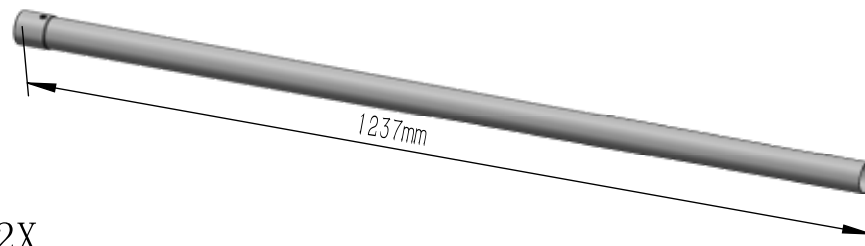
L4 1X



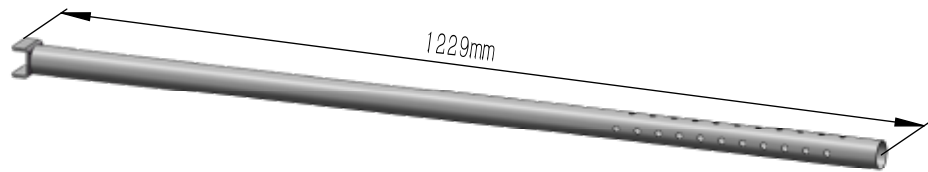
L5 1X



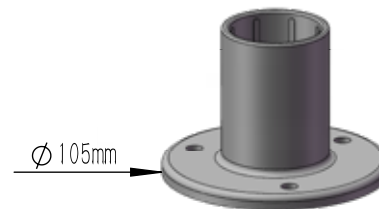
L₆ 1X



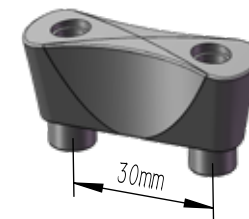
M₁ 2X



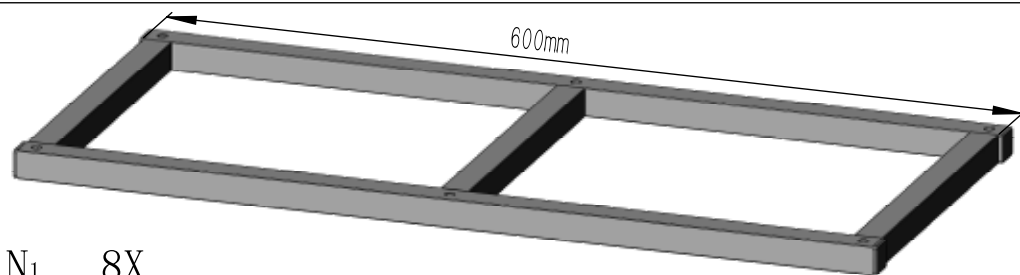
M₂ 2X



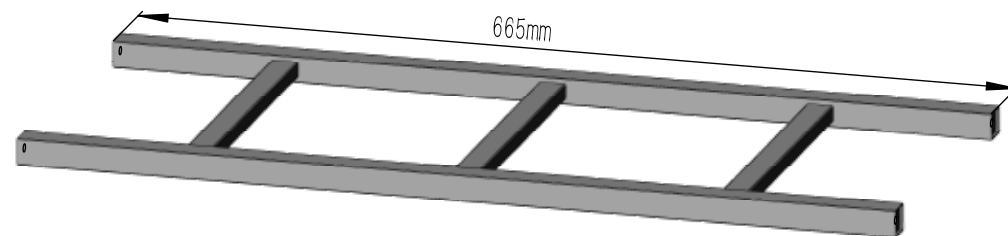
M₃ 2X



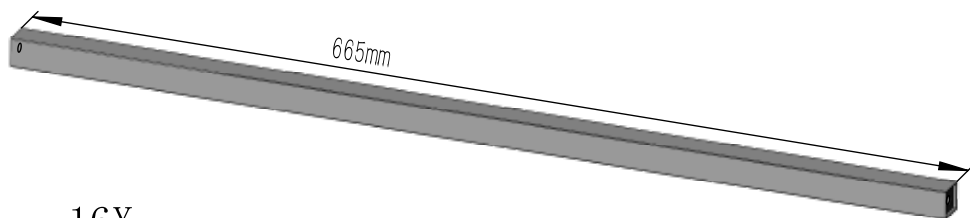
M₄ 12X



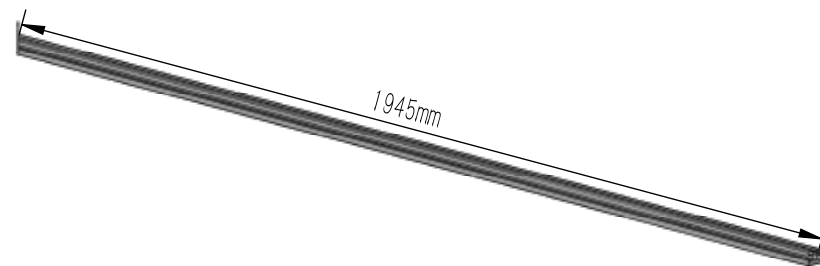
N₁ 8X



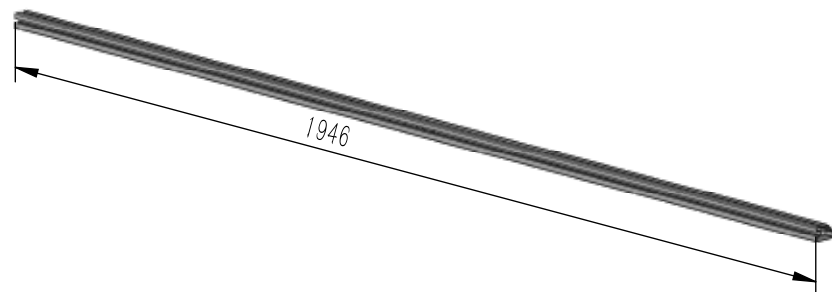
N₂ 4X



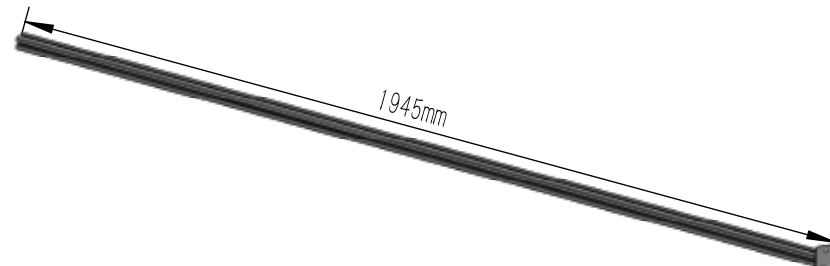
N₃ 16X



O₁ 1X



O₂ 1X



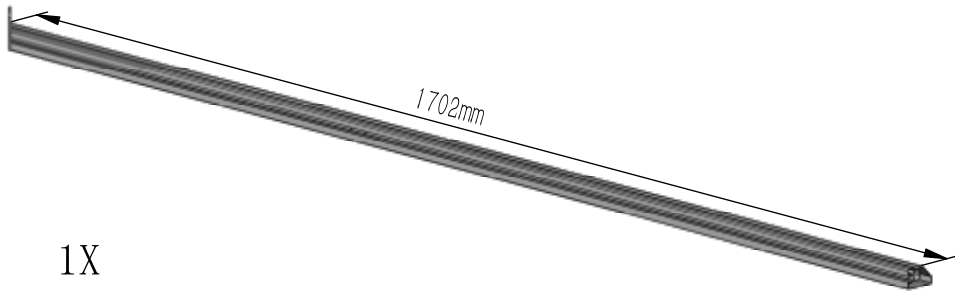
O₃ 1X



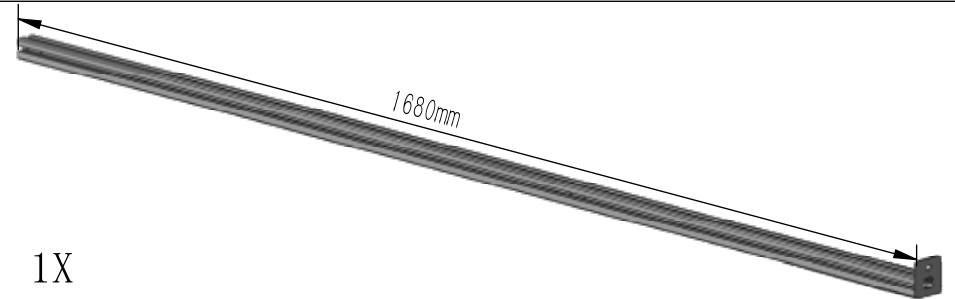
O₄ 1X



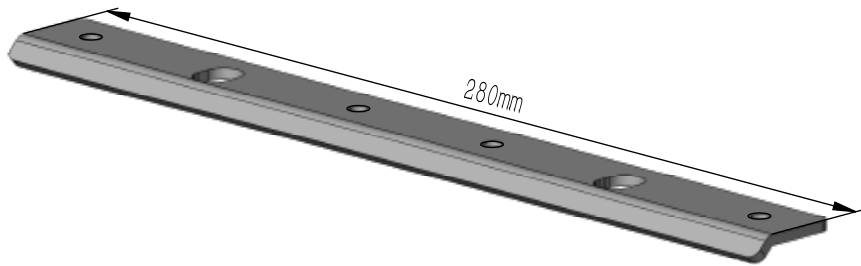
O₅ 1X



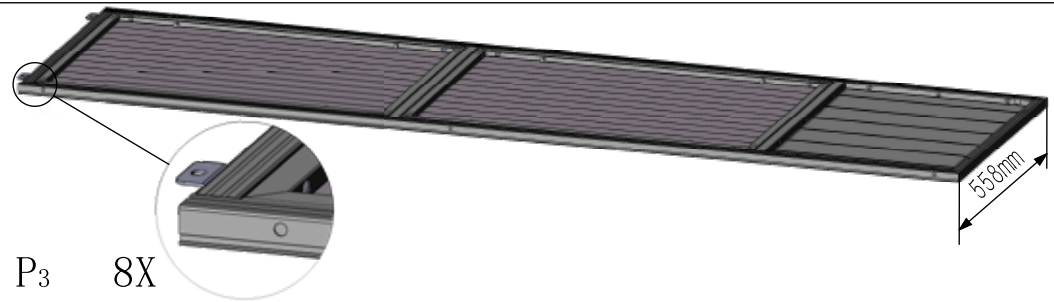
O₆ 1X



O₇ 1X



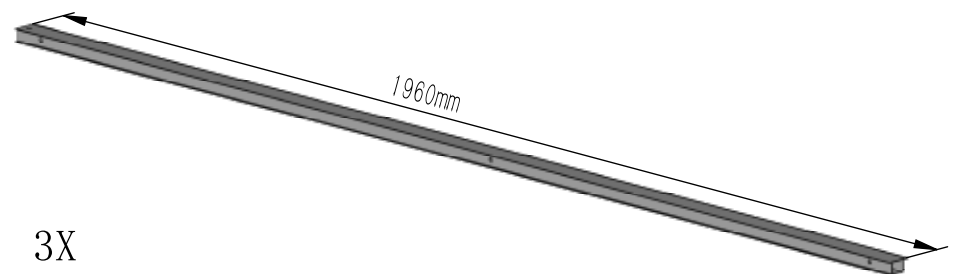
O₈ 4X



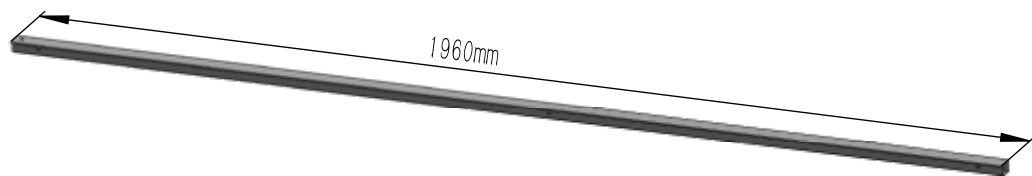
P₃ 8X



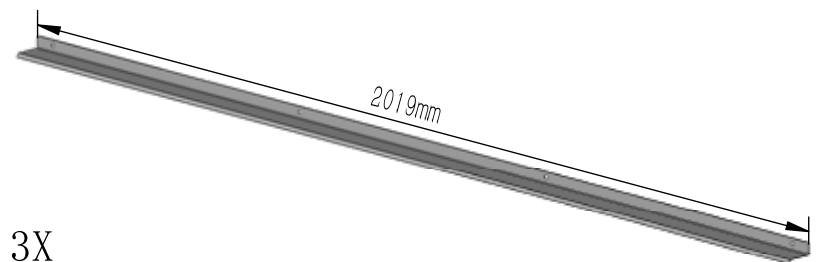
P₄ 8X



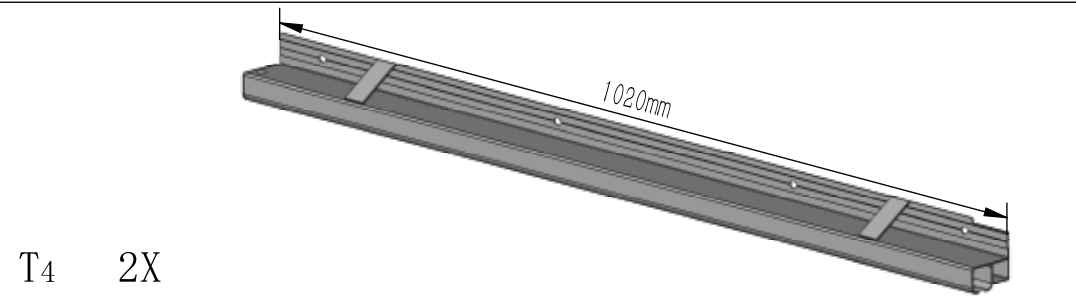
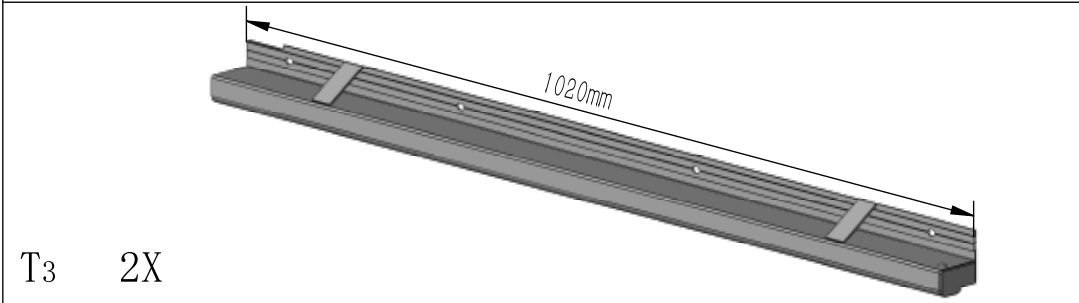
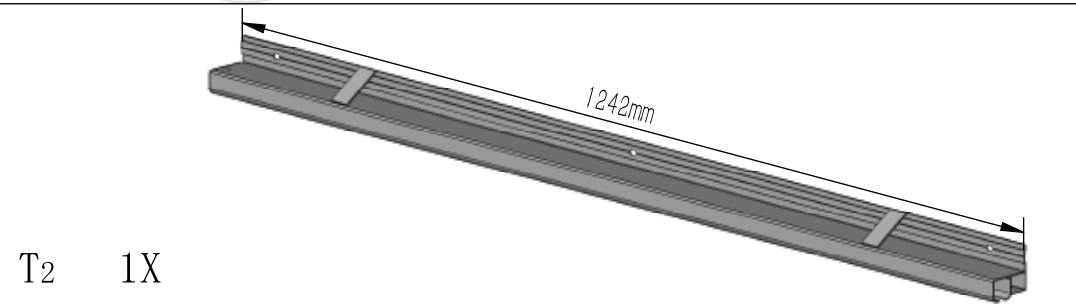
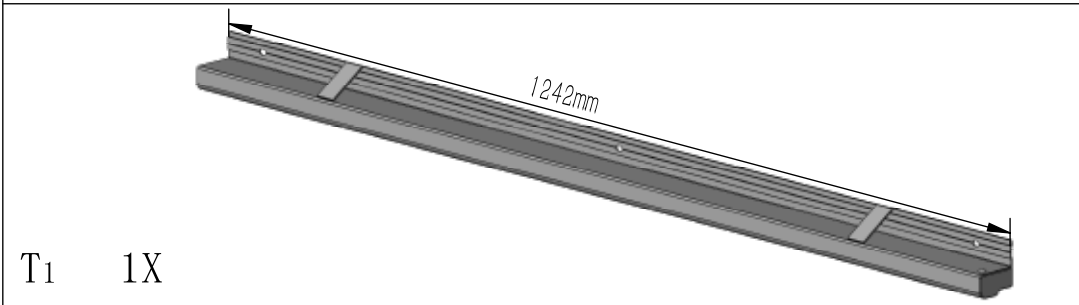
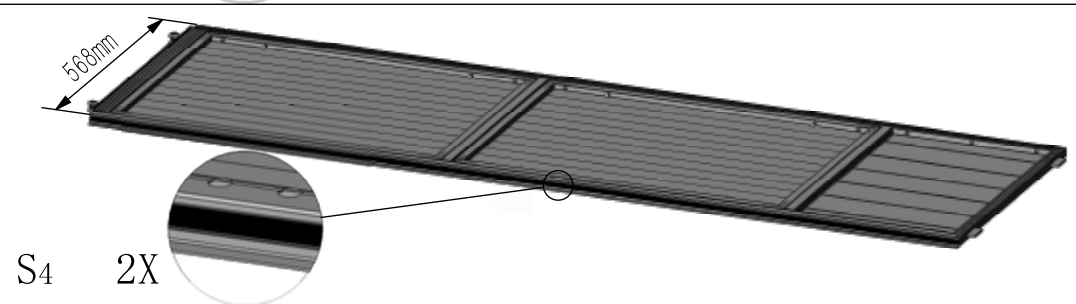
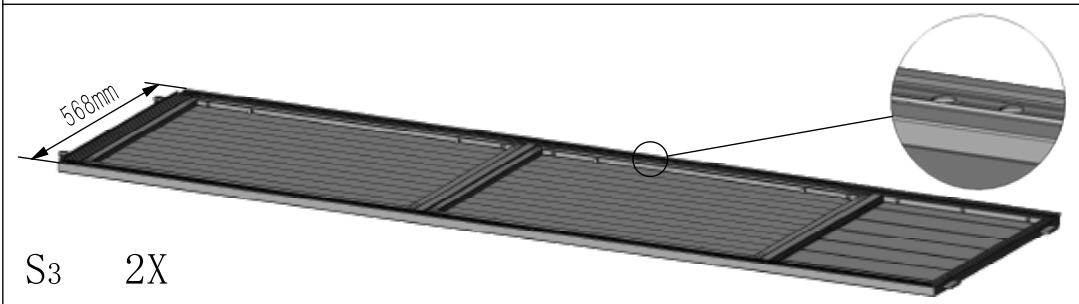
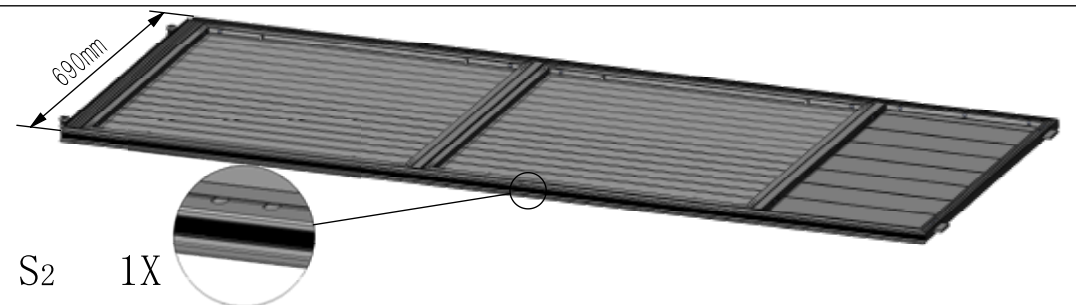
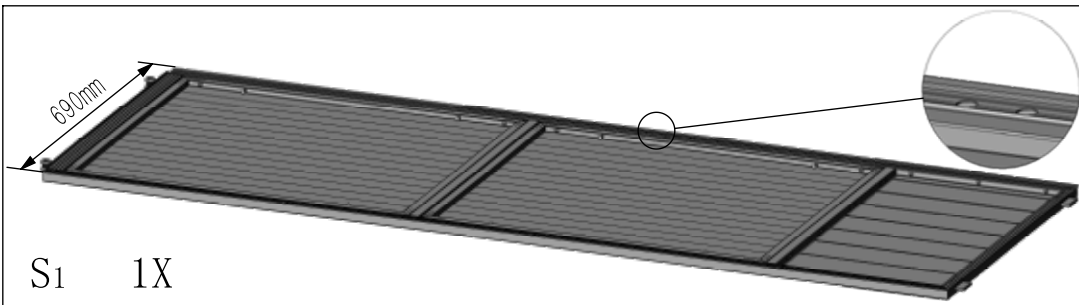
Q₁ 3X

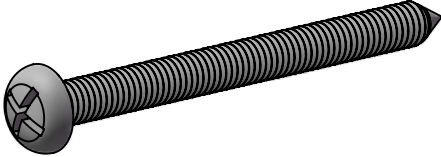



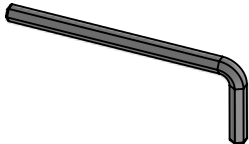
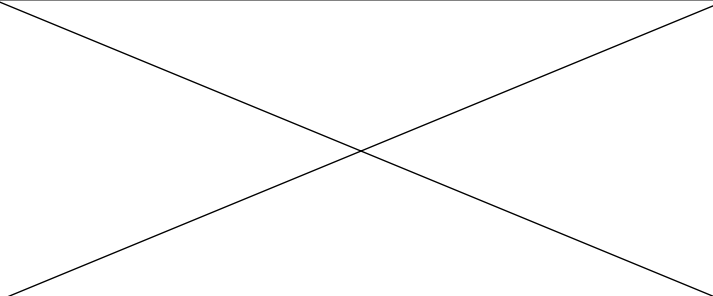
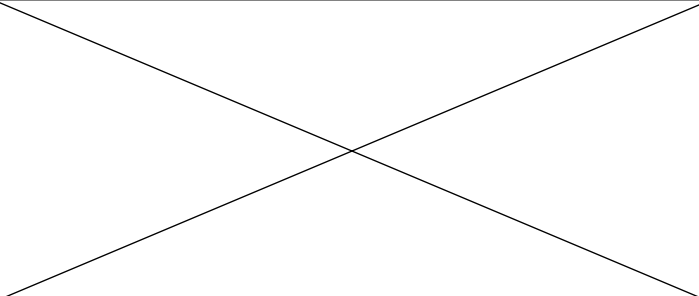
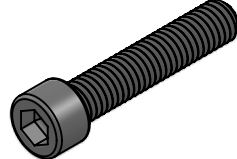
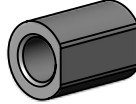

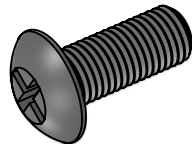
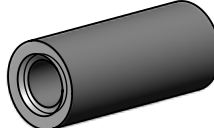

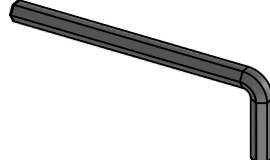
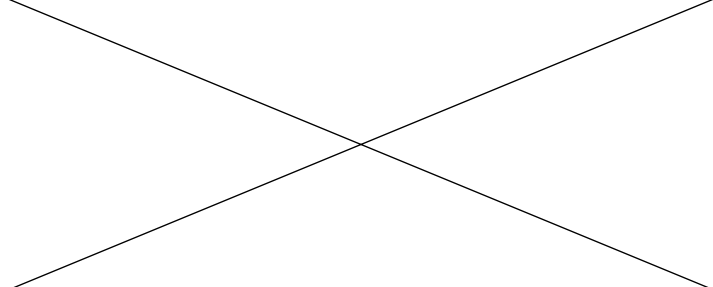
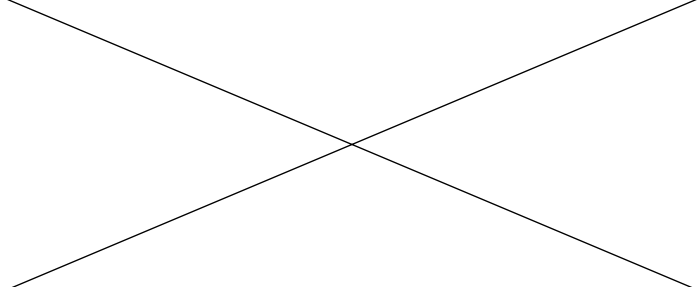
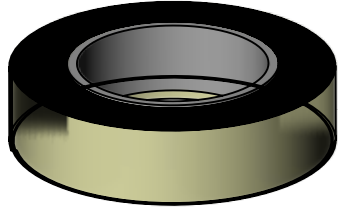


Q₂ 3X



R₁ 3X



<p>1# 8</p>  <p>ST4. 8*13</p>	<p>2# 2</p>  <p>M5*12</p>	<p>3# 48</p>  <p>M6*30</p>
<p>4# 546</p>  <p>M6*16</p>	<p>5# 38</p>  <p>M6*28</p>	<p>6# 28</p>  <p>M6*40</p>
<p>7# 2</p>  <p>M6*12 (L20)</p>	<p>8# 6</p>  <p>M6*15 (L30)</p>	<p>9# 22</p>  <p>ST6*70</p>
<p>10# 22</p> 	<p>11# 1</p>  <p>Waterproof Tape</p>	<p>12# 2</p>  <p>M8*60</p>
<p>13# 2</p>  <p>M8</p>	<p>14# 2</p>  <p>M8</p>	<p>15# 2</p>  <p>Silicone Sealant</p>

<p>16# 1</p>  <p>S4</p>		
<p>19# 48</p>  <p>M6*30</p>	<p>20# 48</p> 	<p>21# 24</p> 
<p>22# 24</p>  <p>M4*10</p>	<p>23# 12</p>  <p>M4</p>	<p>24# 38 Metal Square Nuts M6</p> 
<p>25# 1</p>  <p>S5</p>		
<p>28# 2</p>  <p>Anti-Dust Tape</p>		



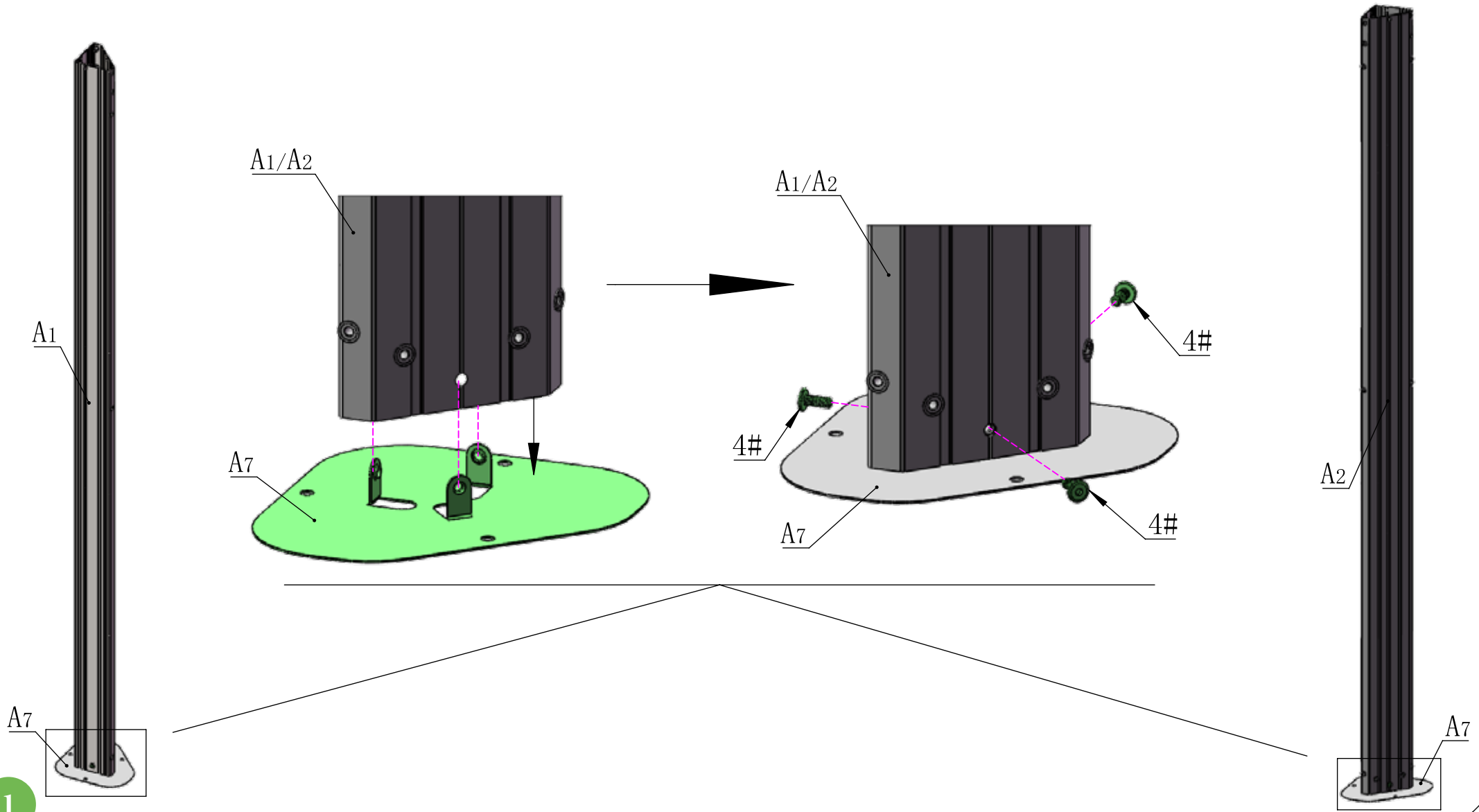
A1 1X

A2 1X

A7 2X

4# 6X

16# 1X





A3 1X

A4 1X

A11 1X

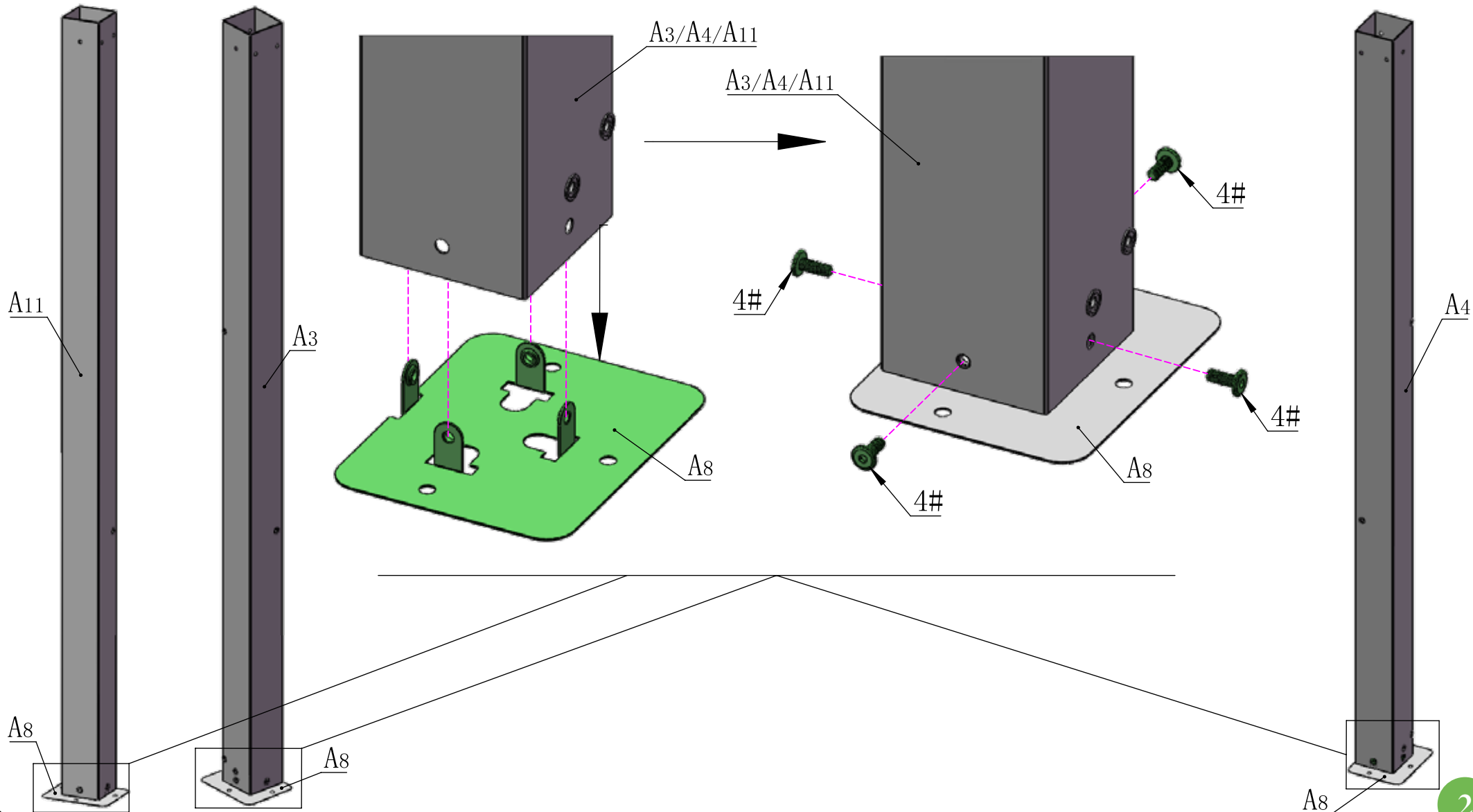
A8 3X

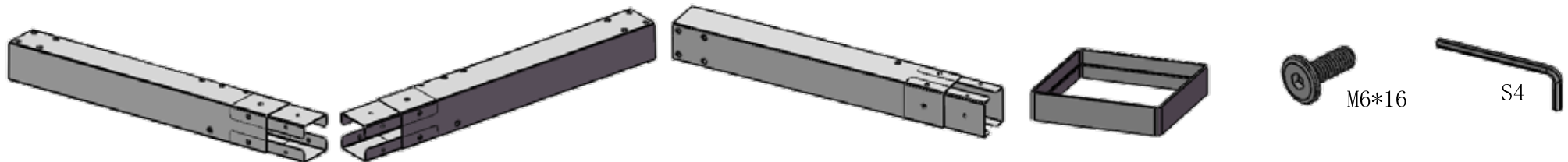
4#

12X

16#

1X





A5 1X

A6 1X

A12 1X

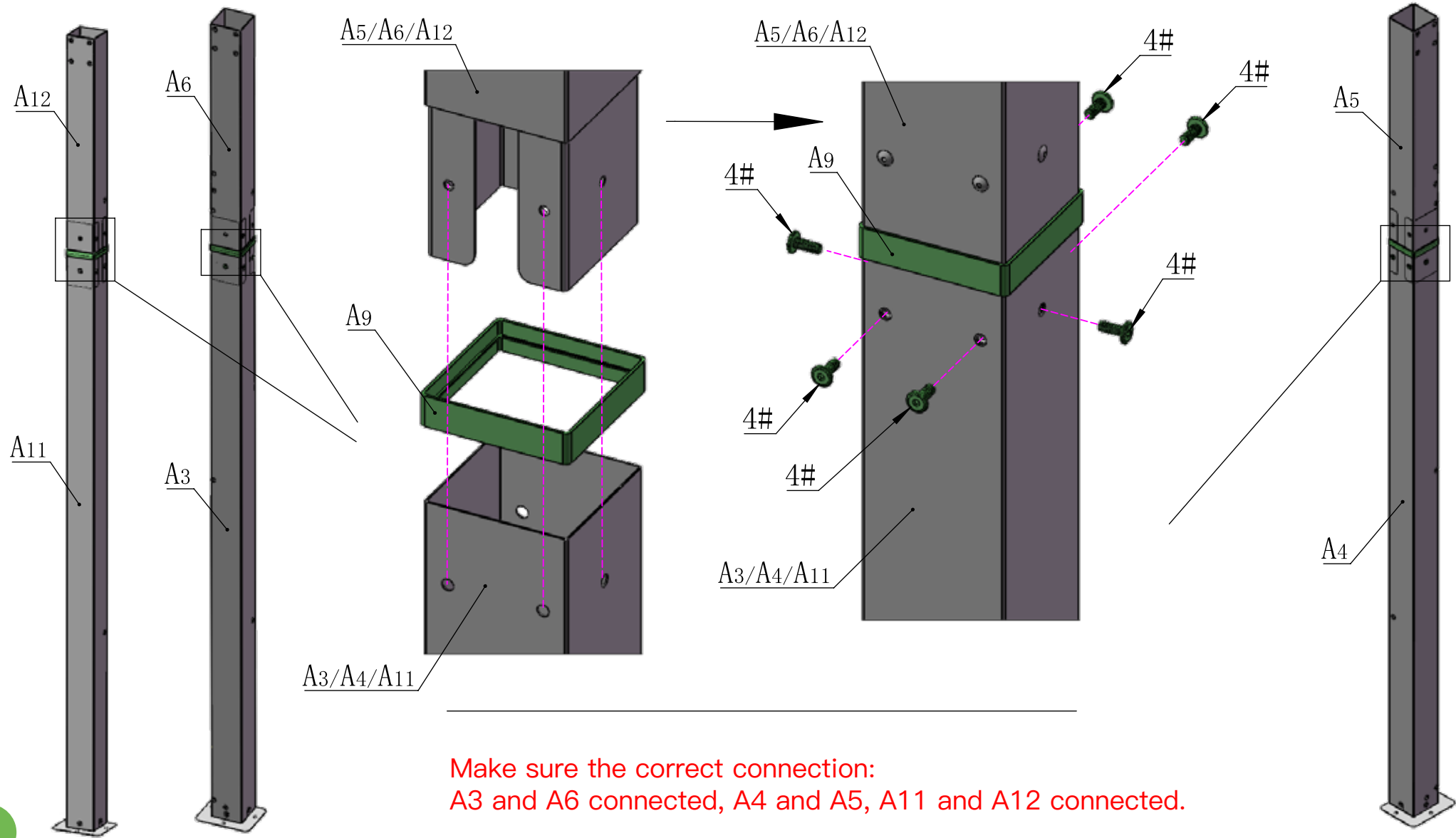
A9 3X

4# 18X

M6*16

16#

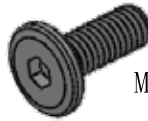
S4 1X



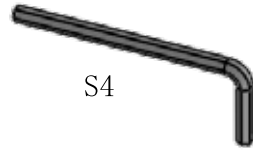
**Make sure the correct connection:
A3 and A6 connected, A4 and A5, A11 and A12 connected.**



A10 6X

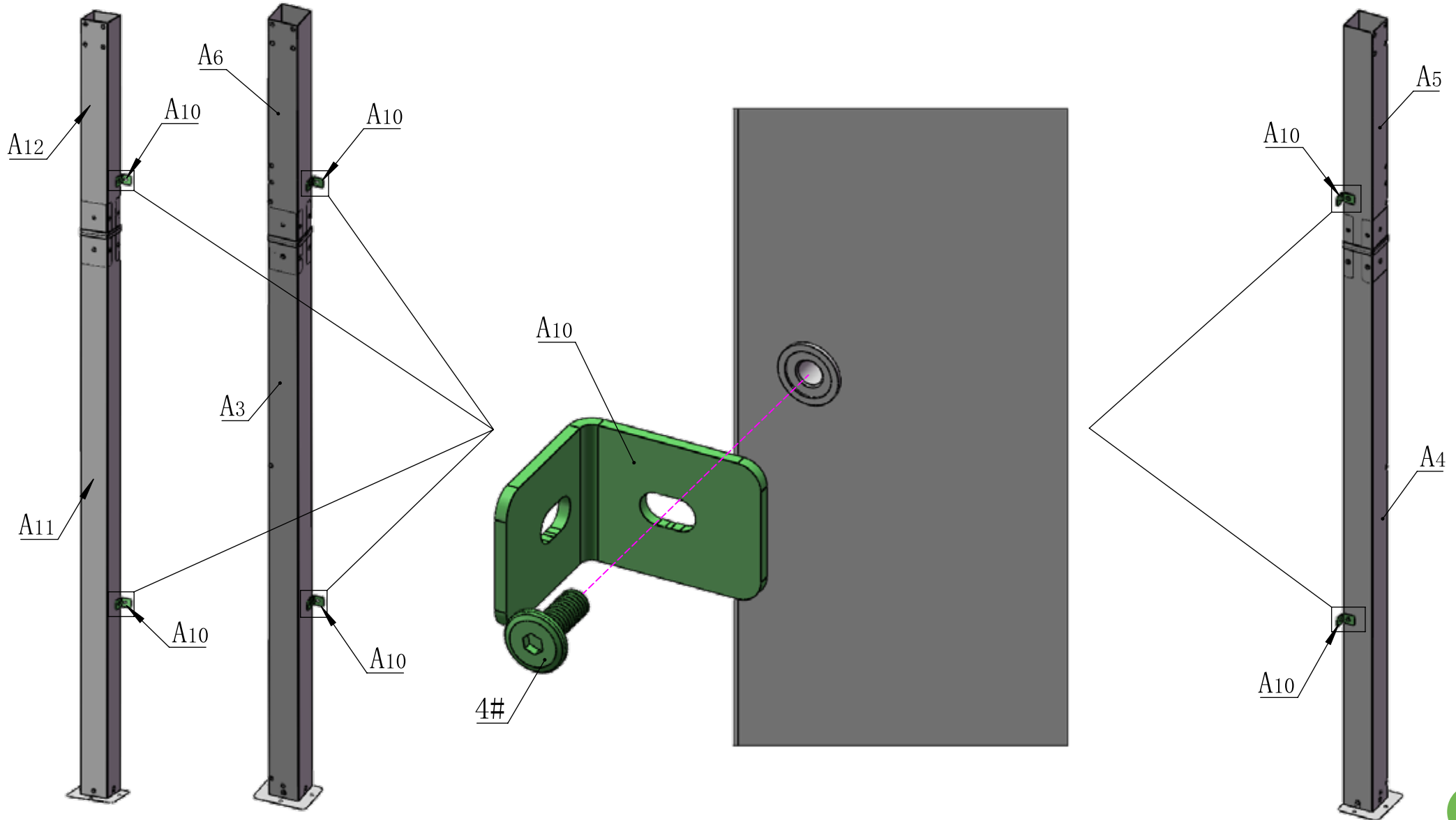


M6*16
4# 6X

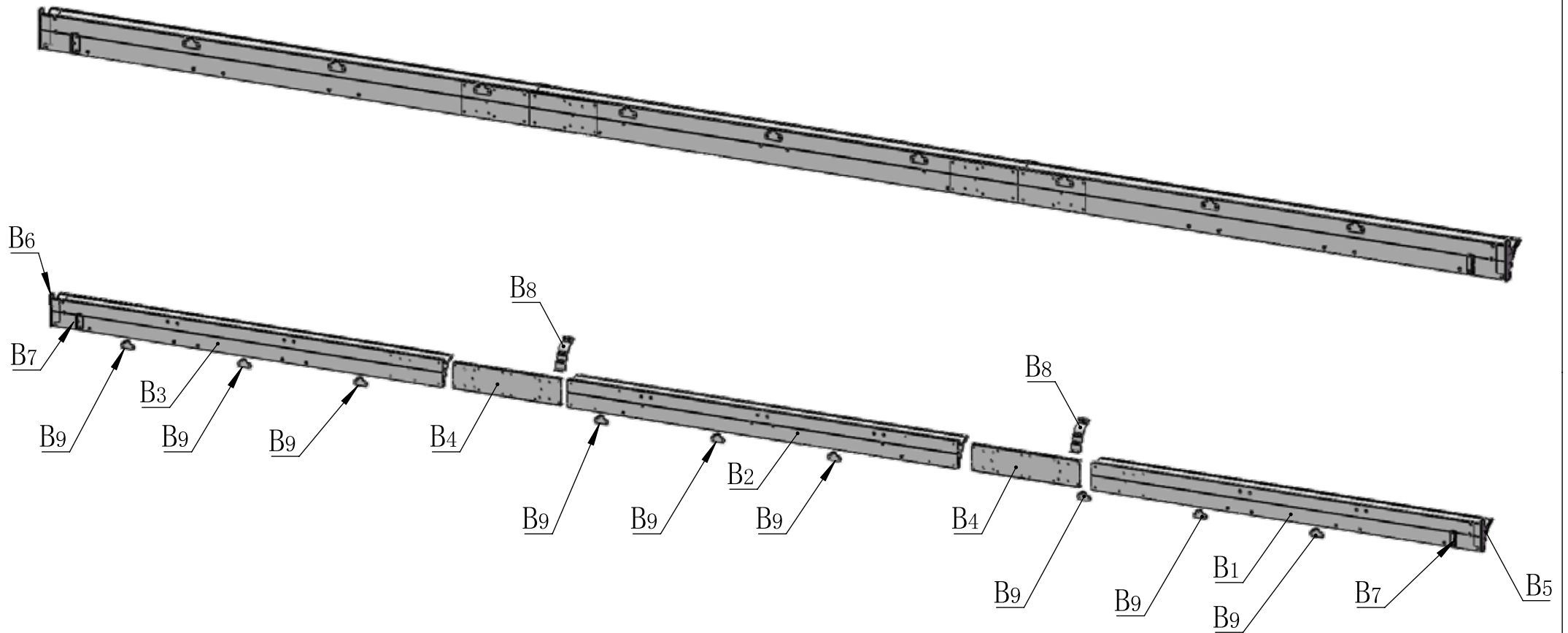


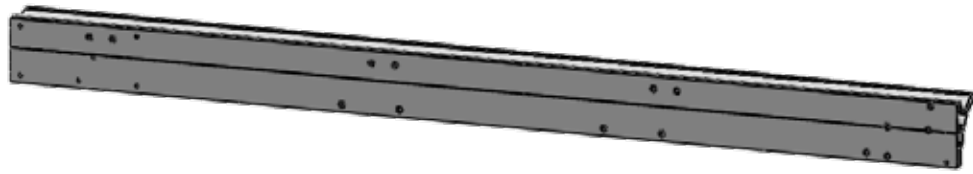
S4
16# 1X

The bracket #A10 is used to fix the post against the wall. If you don't need it fixed, please retain for future use and skip this step.



Front Beam Assembly





B1 1X

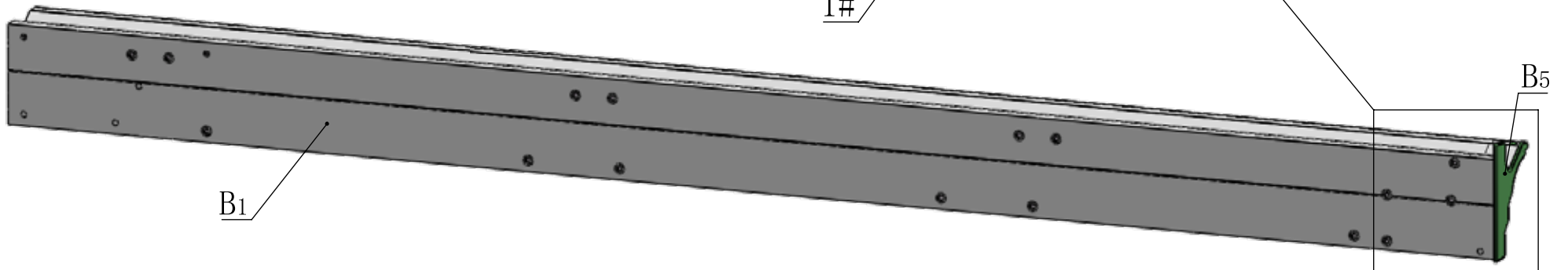
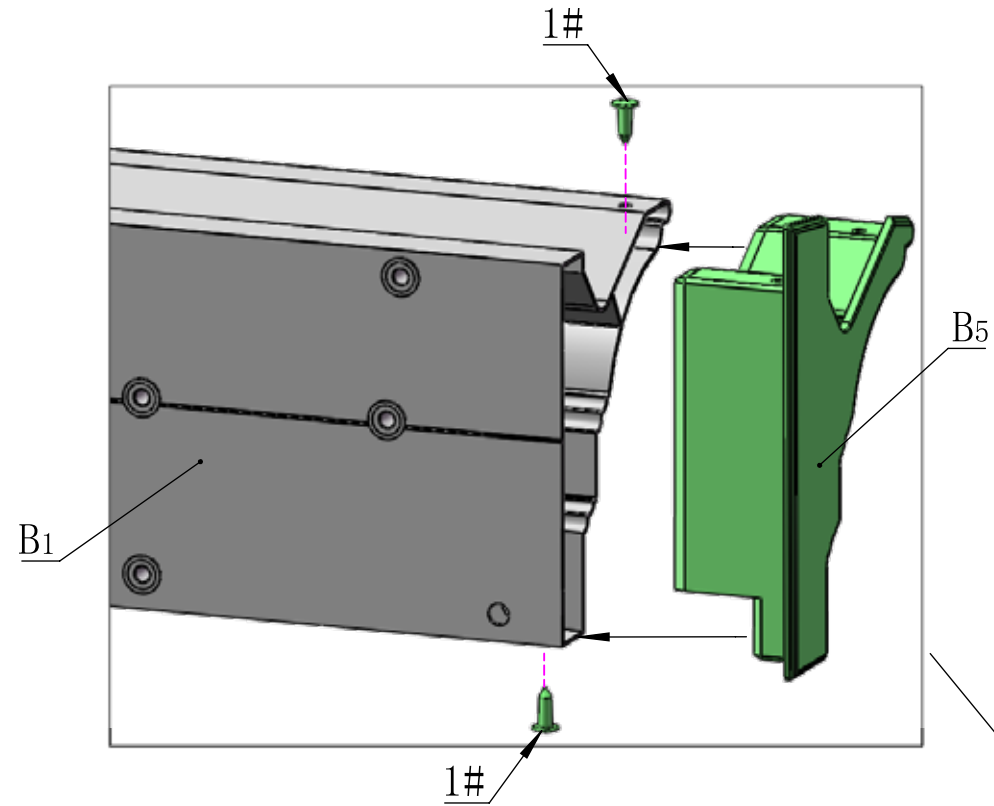


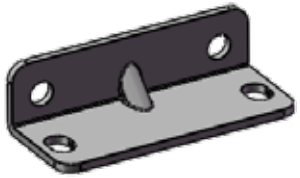
B5 1X



ST4. 8*13

1# 2X



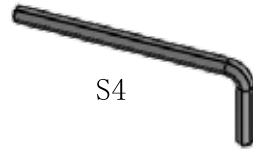


B7 1X



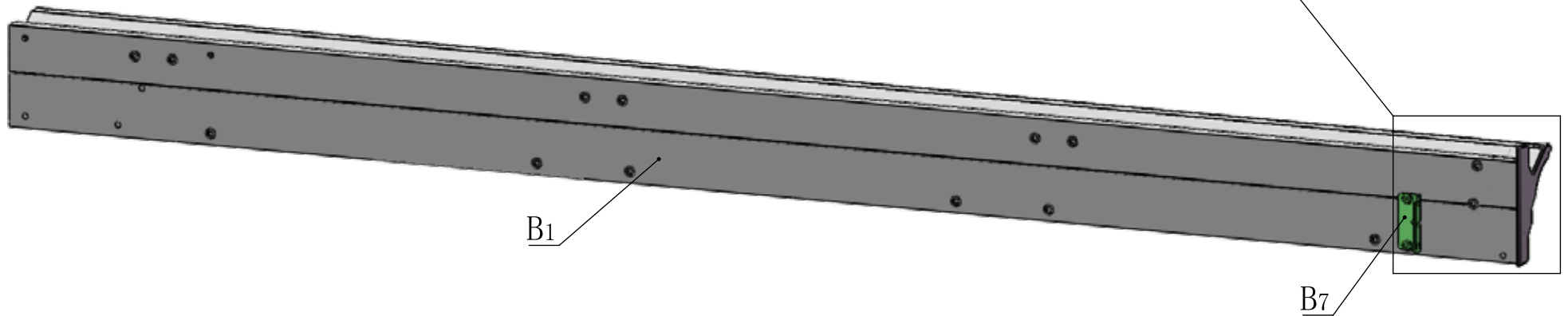
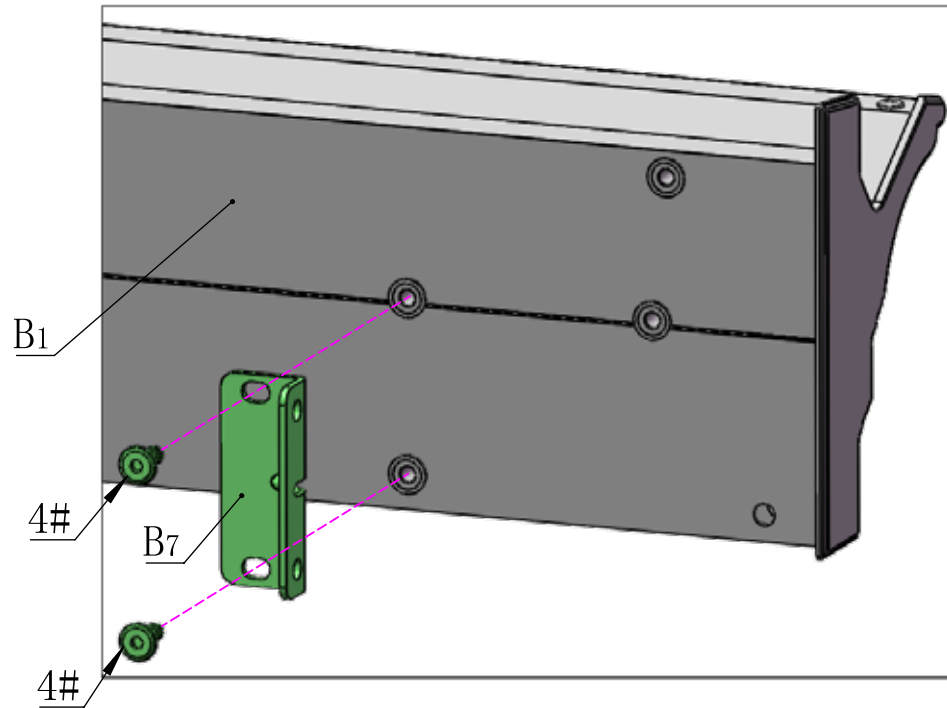
M6*16

4# 2X



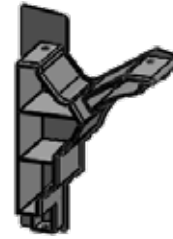
S4

16# 1X





B3 1X

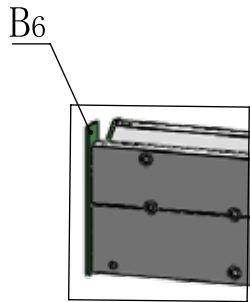
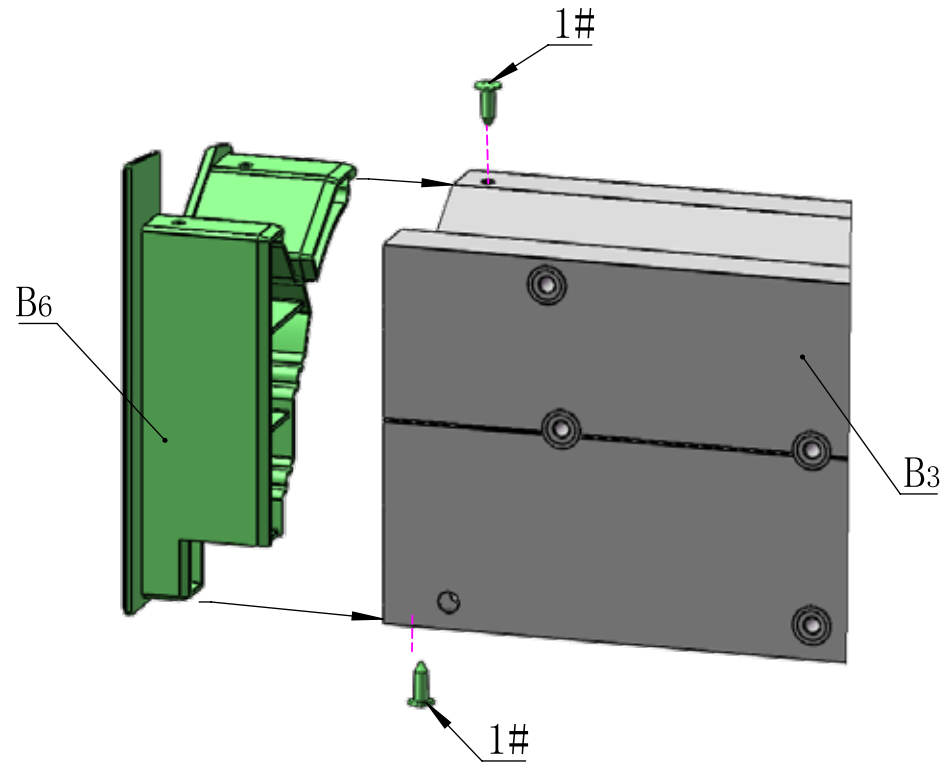


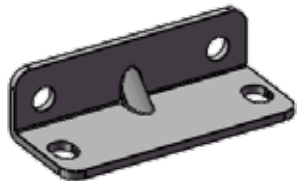
B6 1X



ST4.8*13

1# 2X



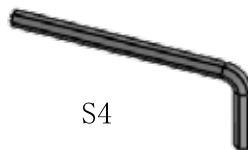


B7 1X



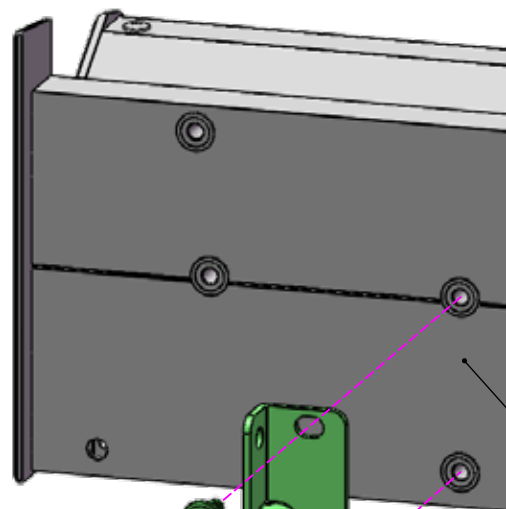
M6*16

4# 2X



S4

16# 1X

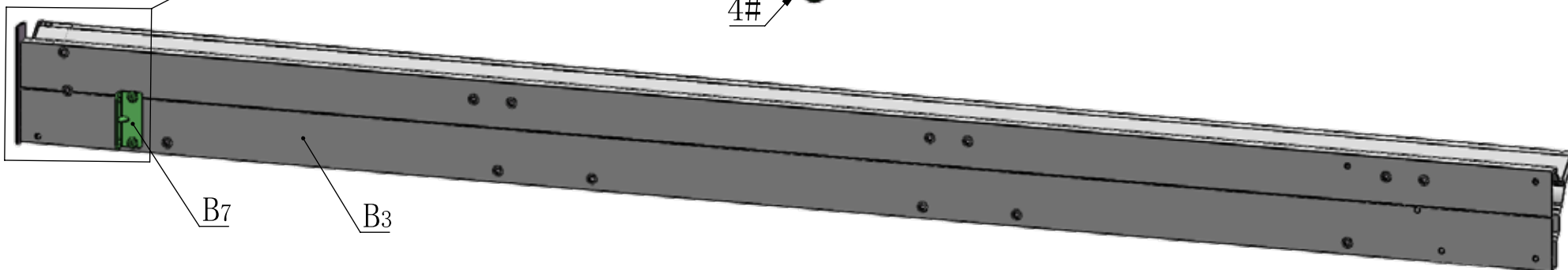


B3

4#

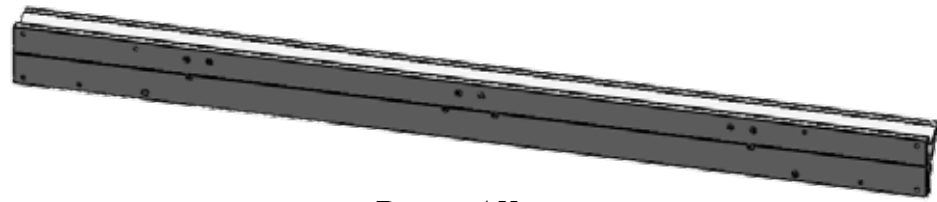
B7

4#

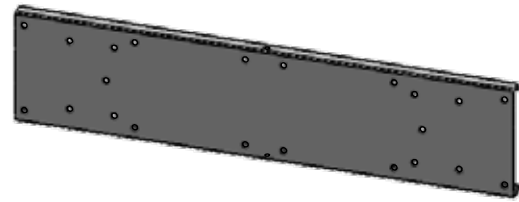


B7

B3



B2 1X



B4 2X



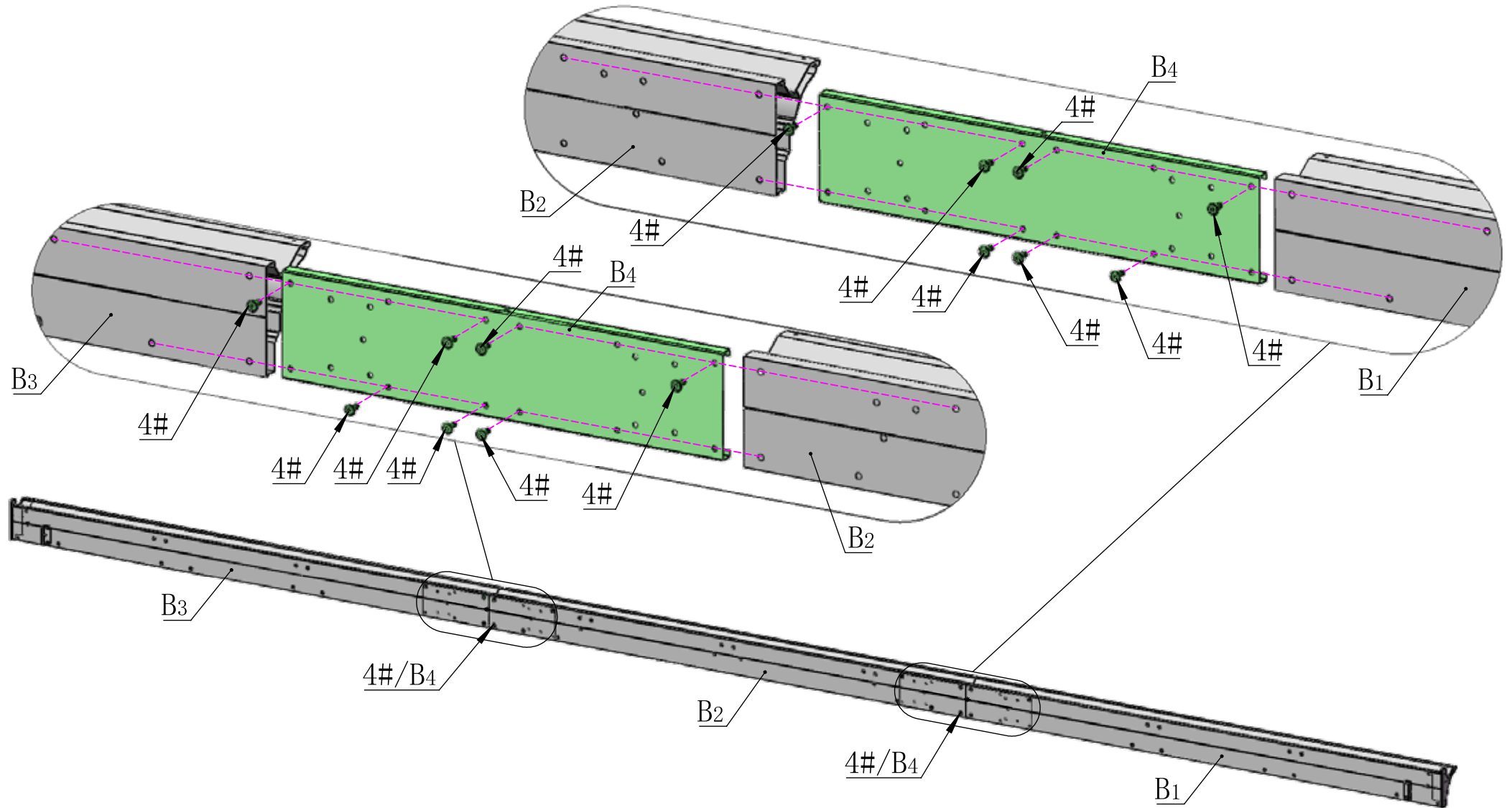
M6*16

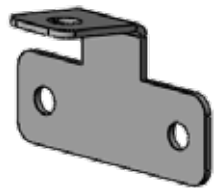
4# 14X



S4

16# 1X

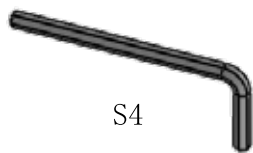




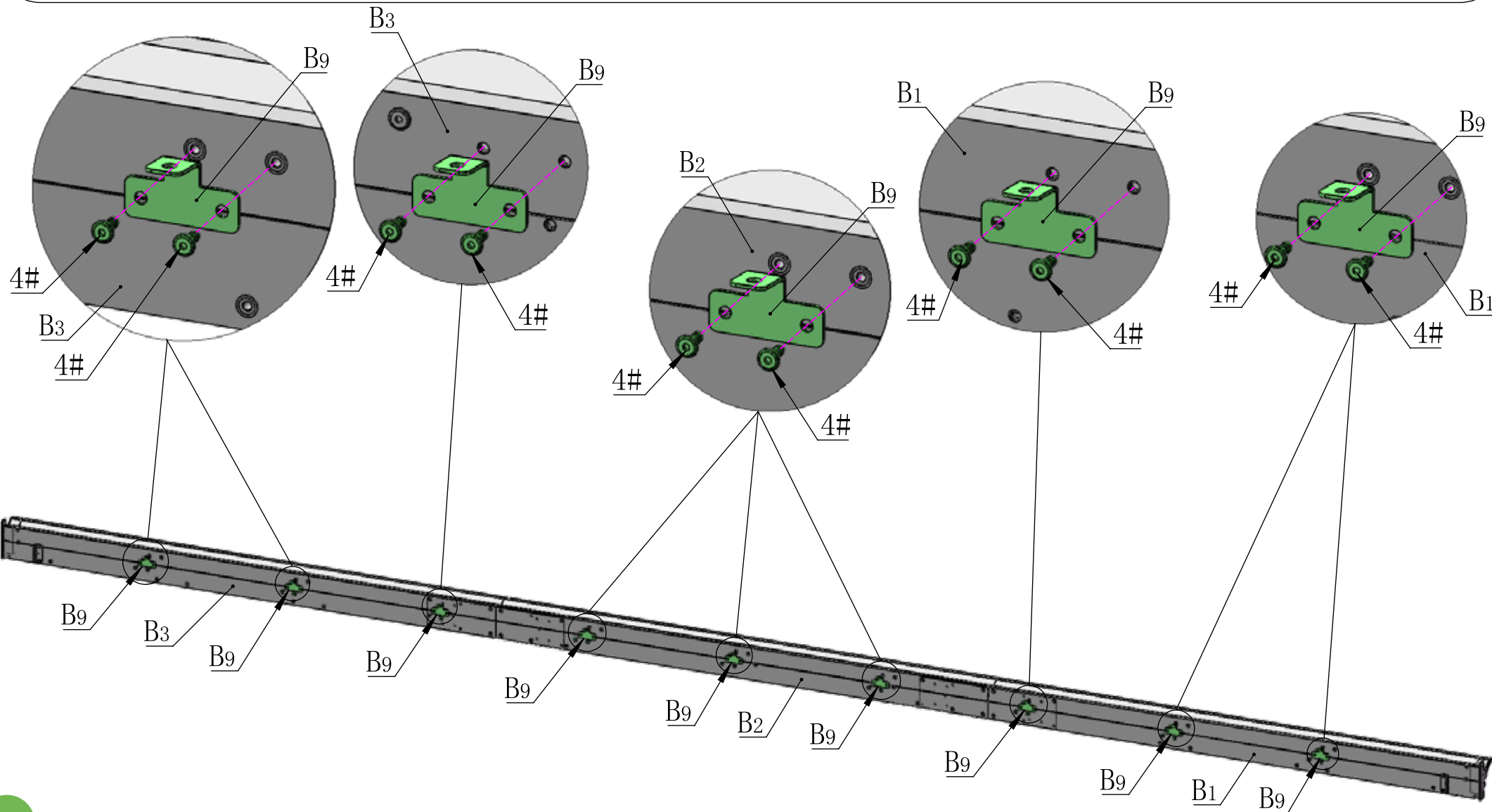
B9 9X



M6*16
4# 18X



S4
16# 1X

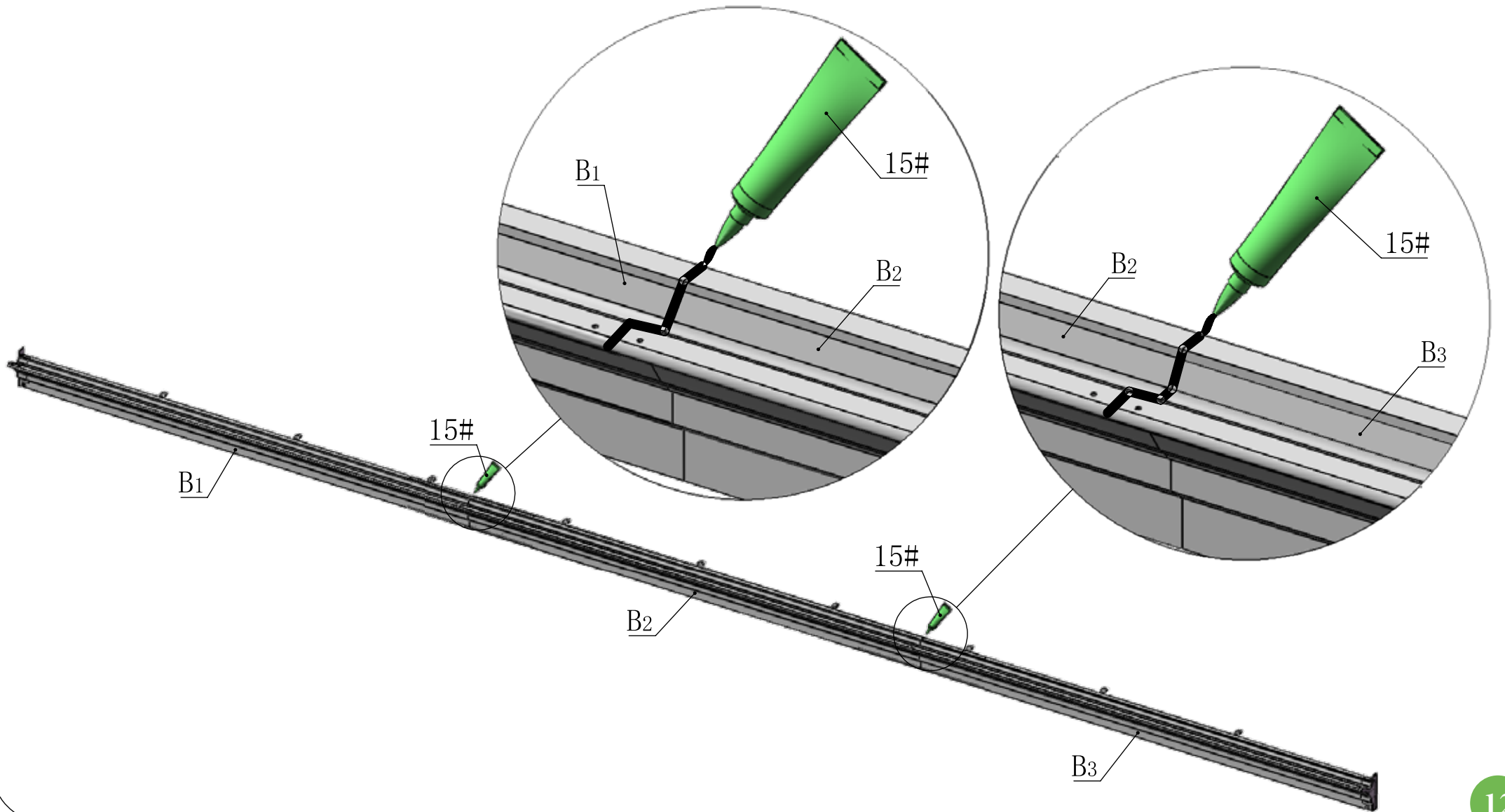




15#

1X

Use silicone sealant (part # 15) to affix the gap between the three beams.





B8 2X



1# 4X

ST4.8*13



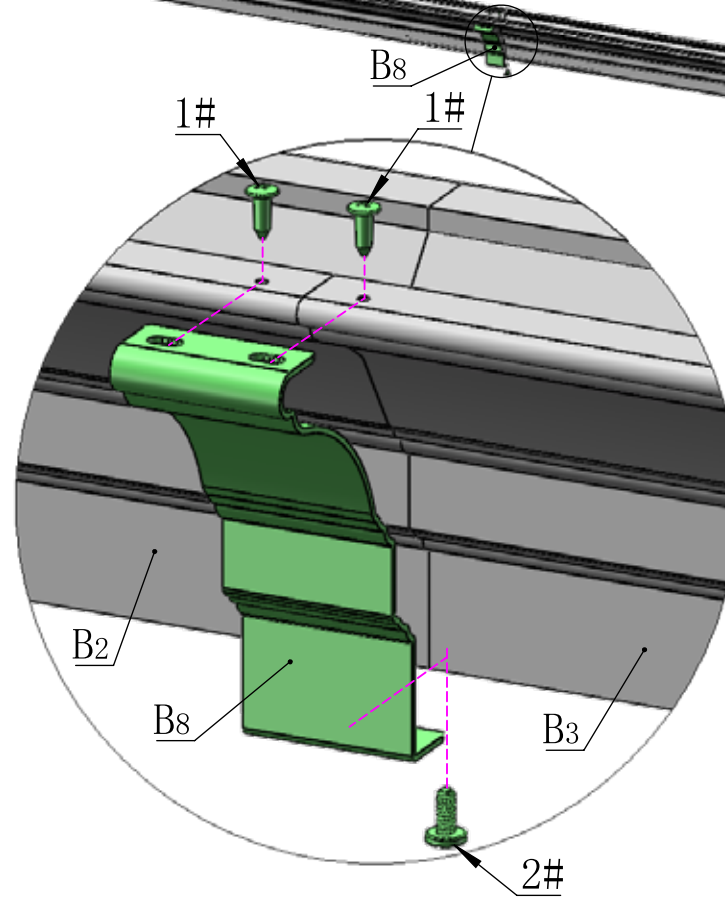
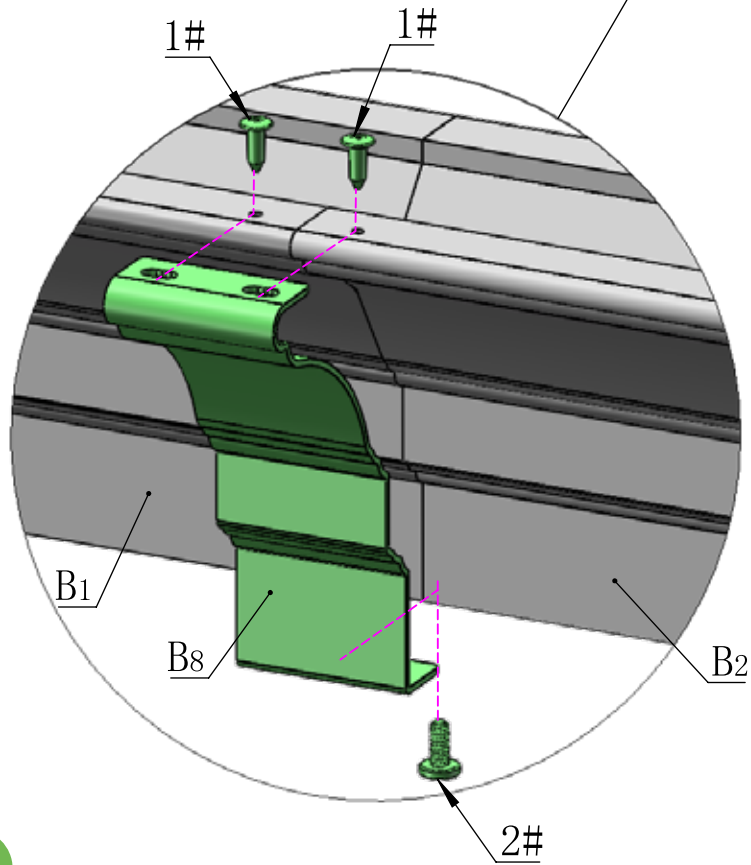
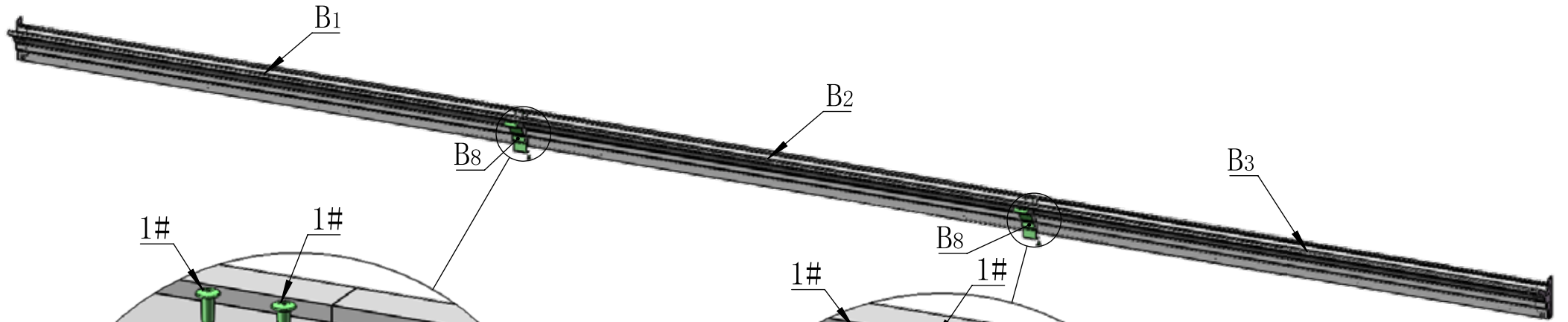
2# 2X

M5*12

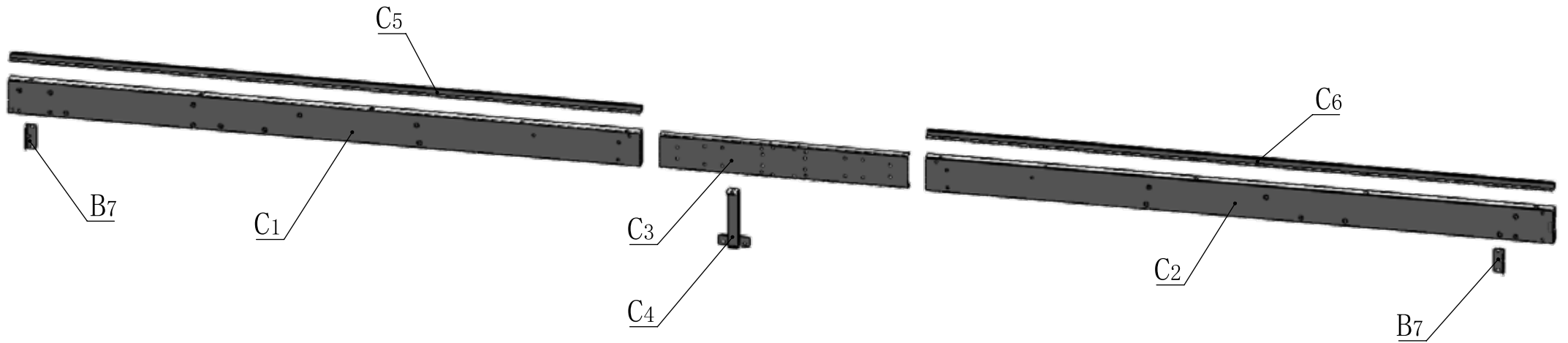
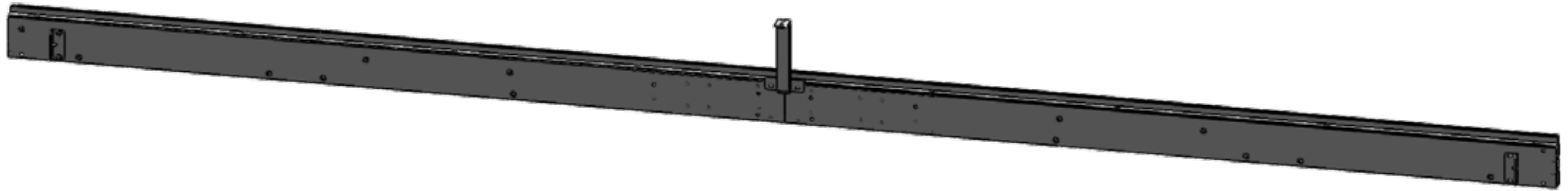


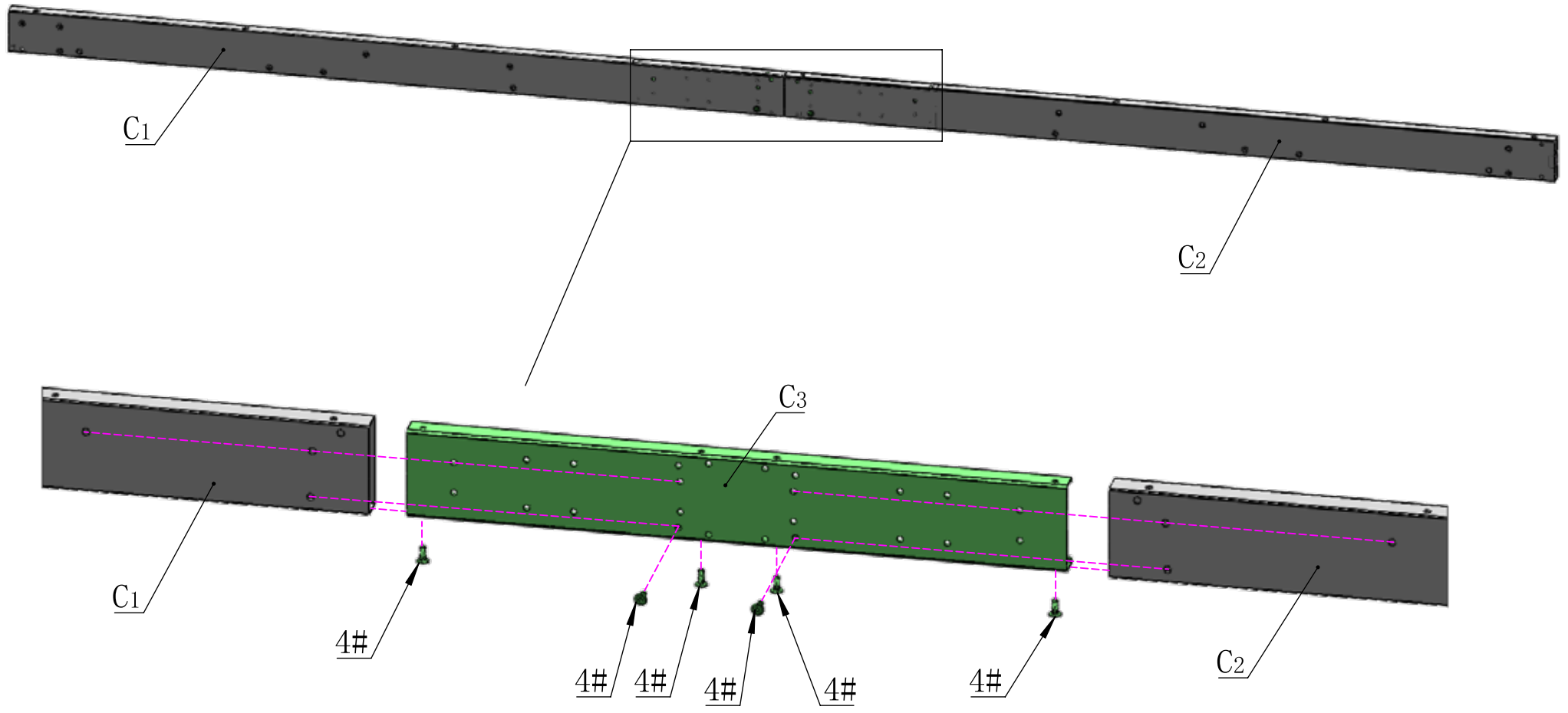
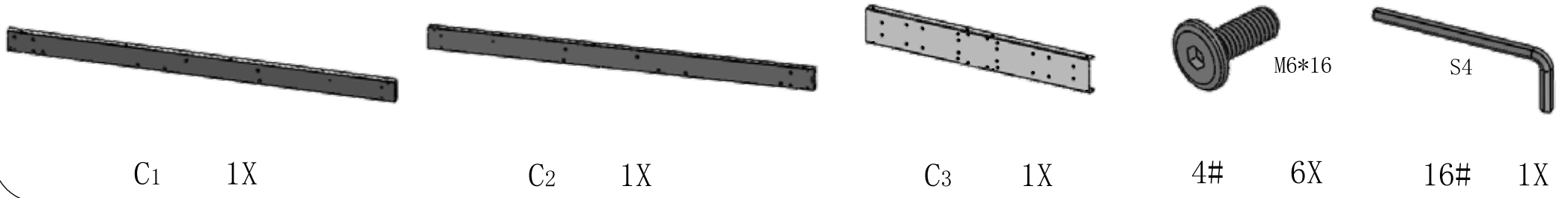
16# 1X

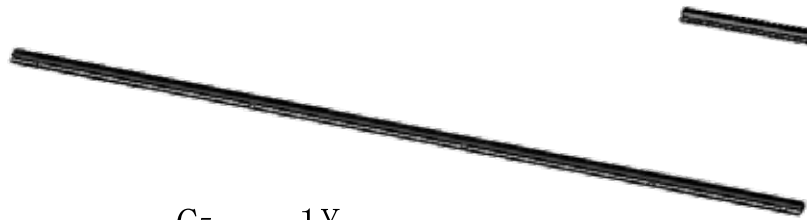
S4



Side Beam Assembly







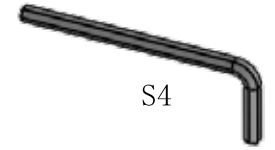
C5 1X



C6 1X



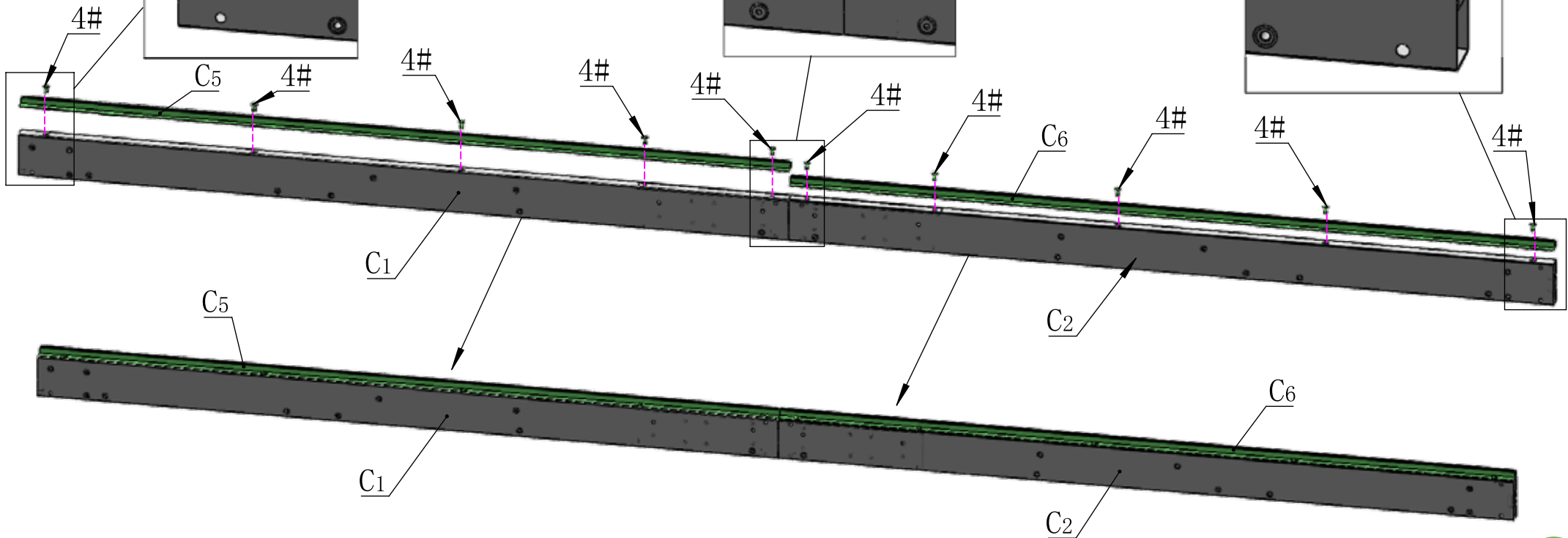
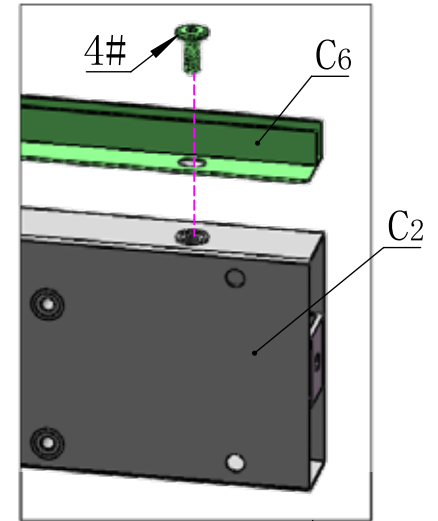
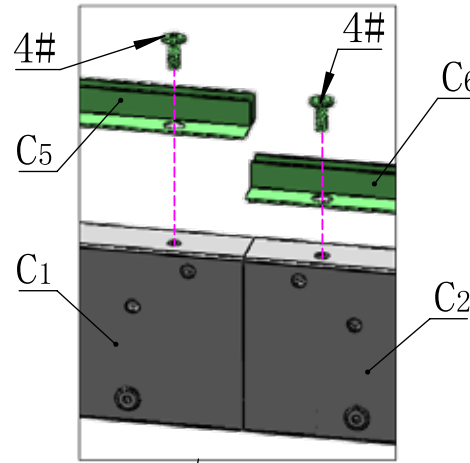
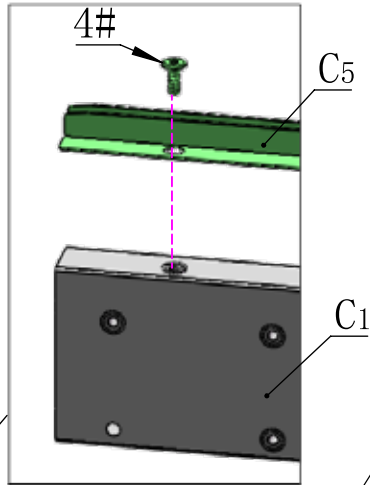
M6*16

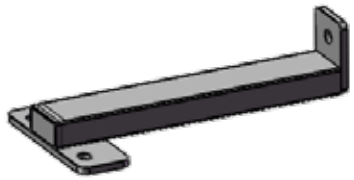


S4

4# 10X

16# 1X



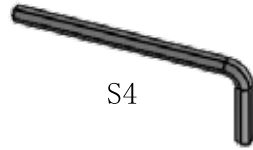


C4 1X



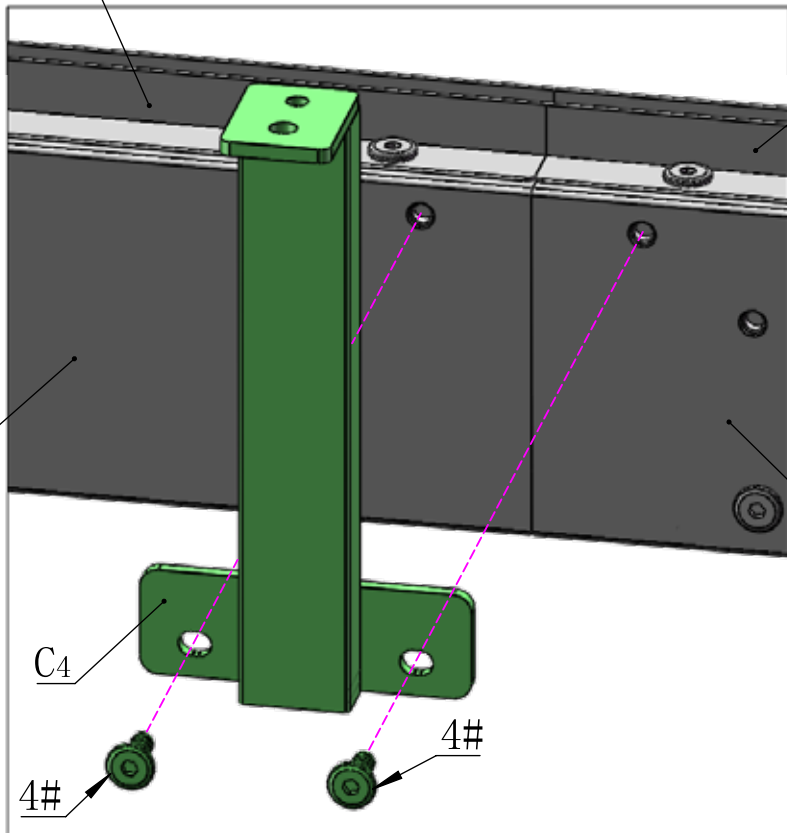
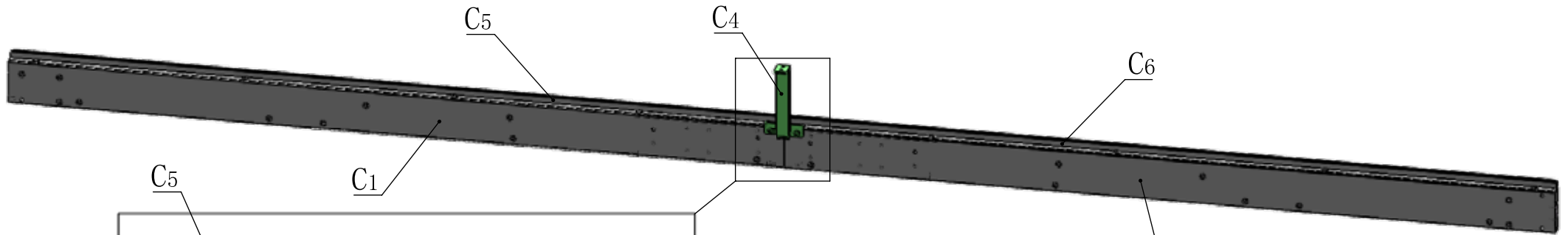
M6*16

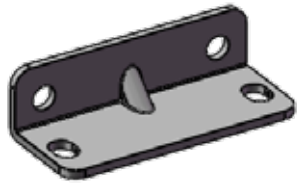
4# 2X



S4

16# 1X



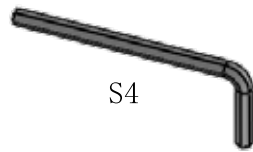


B7 2X



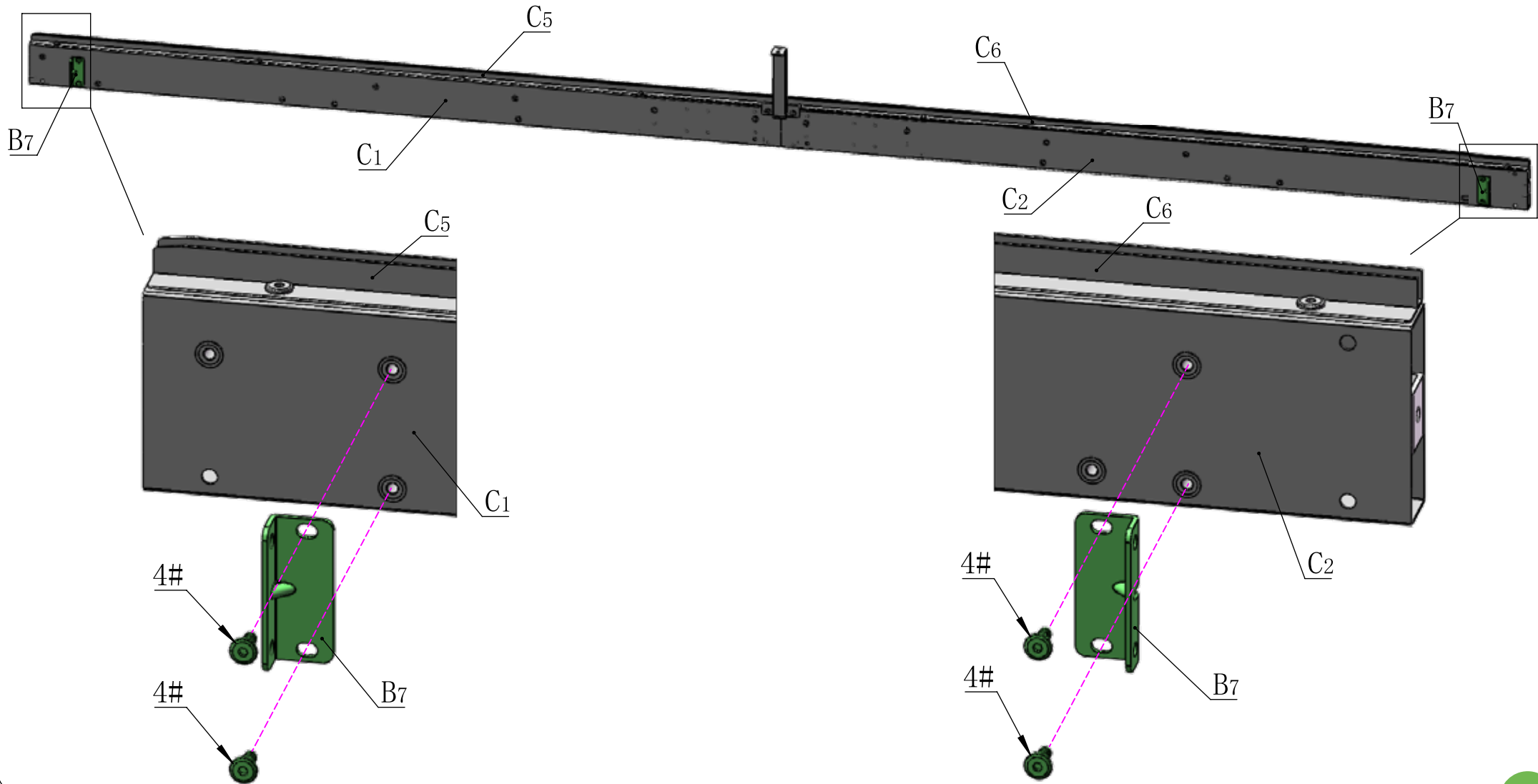
M6*16

4# 4X

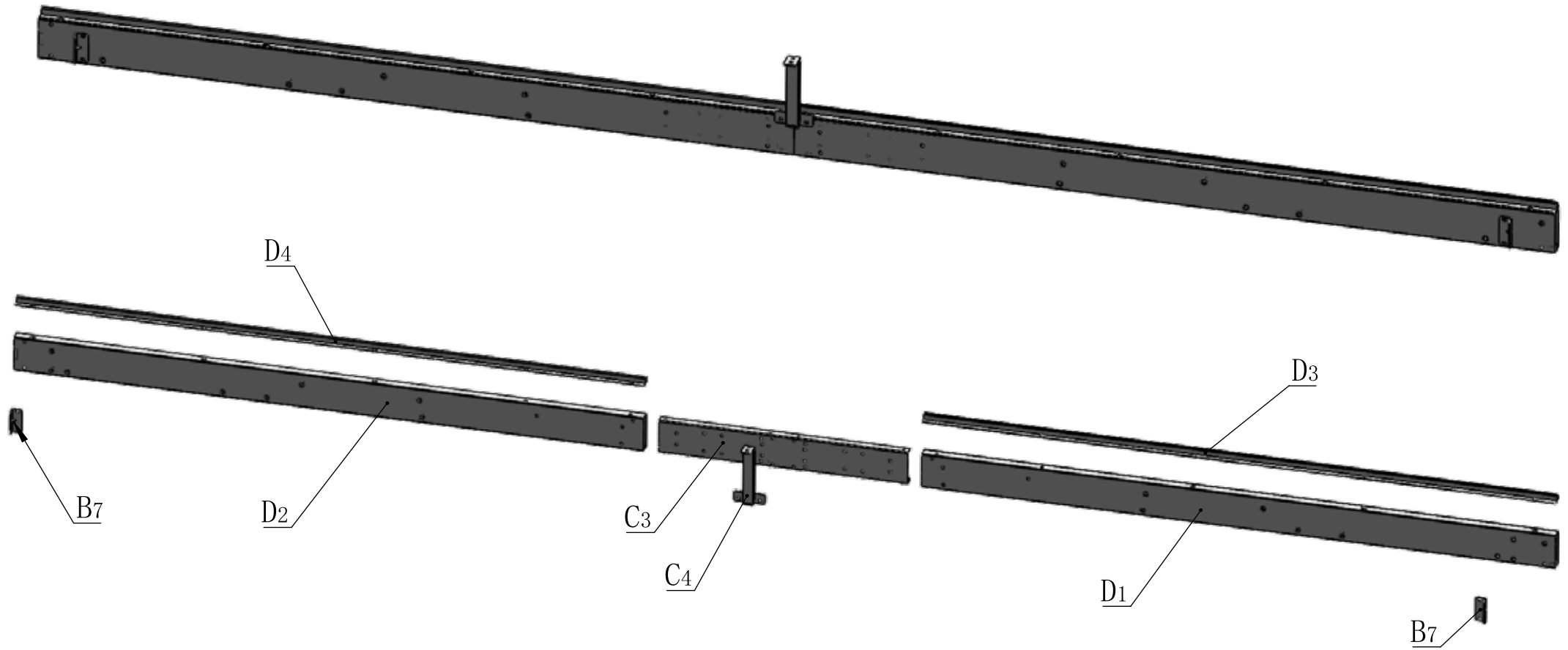


S4

16# 1X



Side Beam Assembly

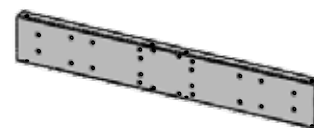




D1 1X



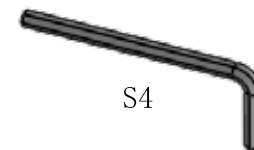
D2 1X



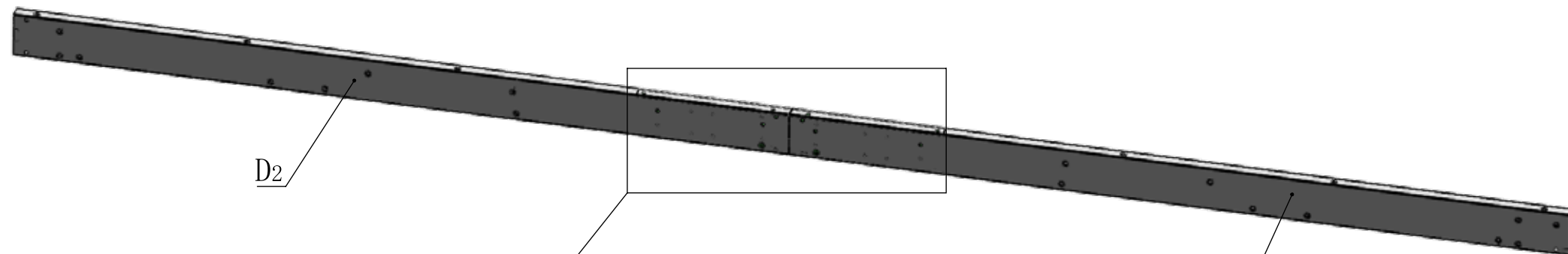
C3 1X



4# 6X

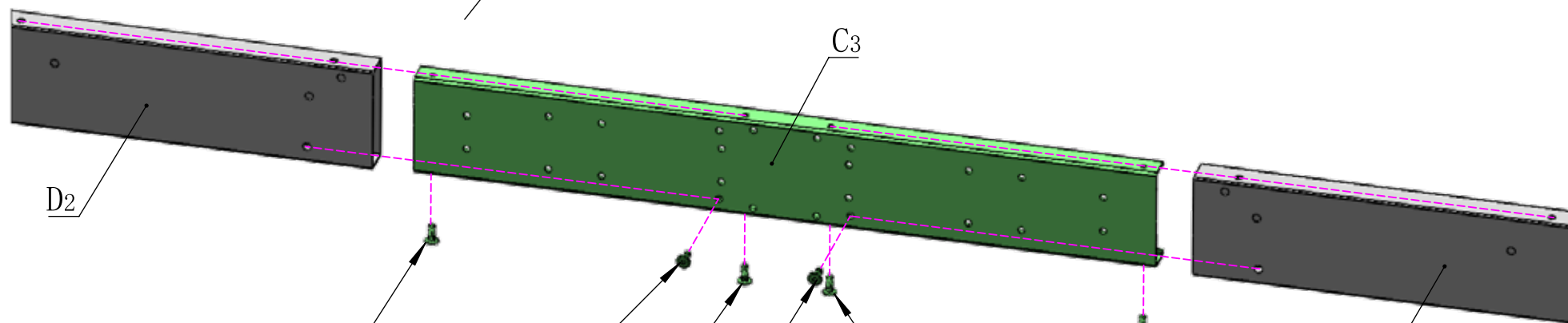


16# 1X



D2

D1



D2

C3

4#

4#

4#

4#

4#

4#

D1



D3 1X



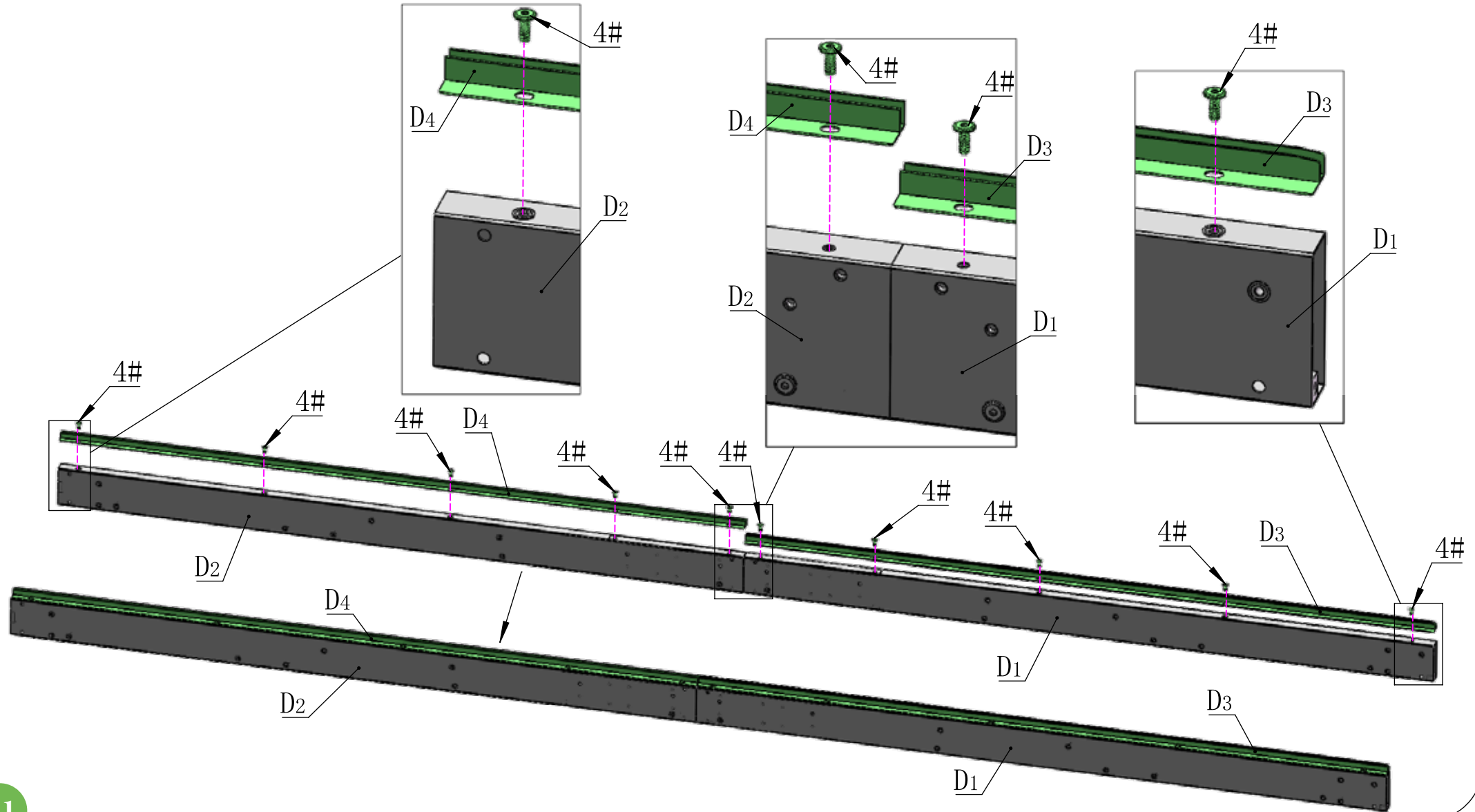
D4 1X

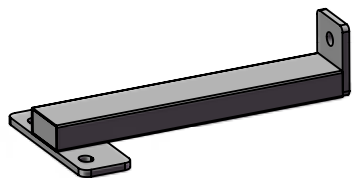


4# 10X

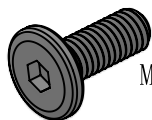


16# 1X



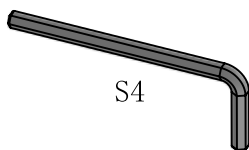


C4 1X



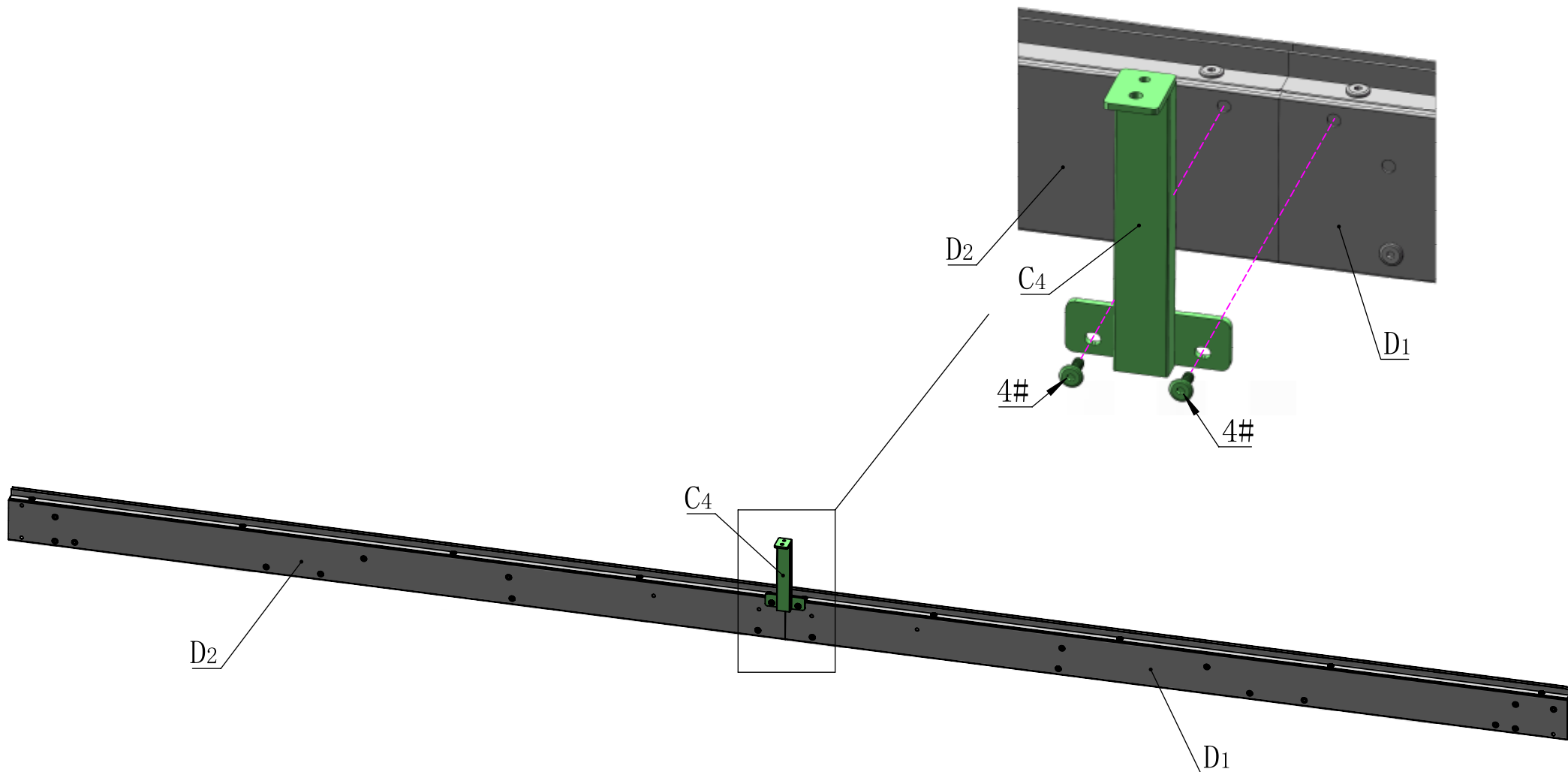
M6*16

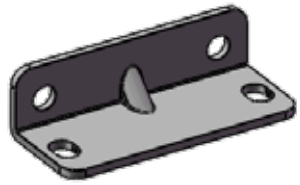
4# 2X



S4

16# 1X





B7 2X



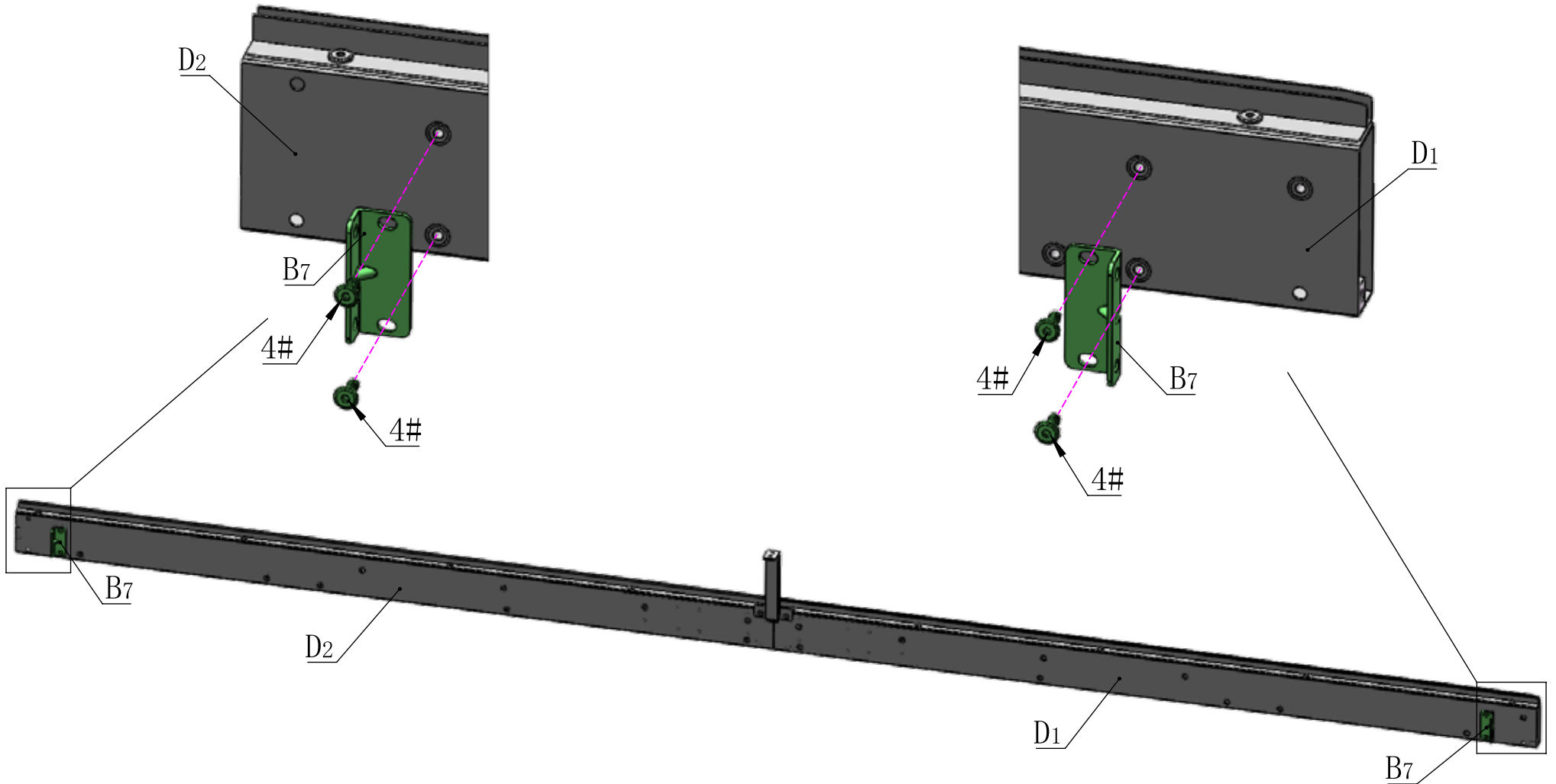
M6*16

4# 4X

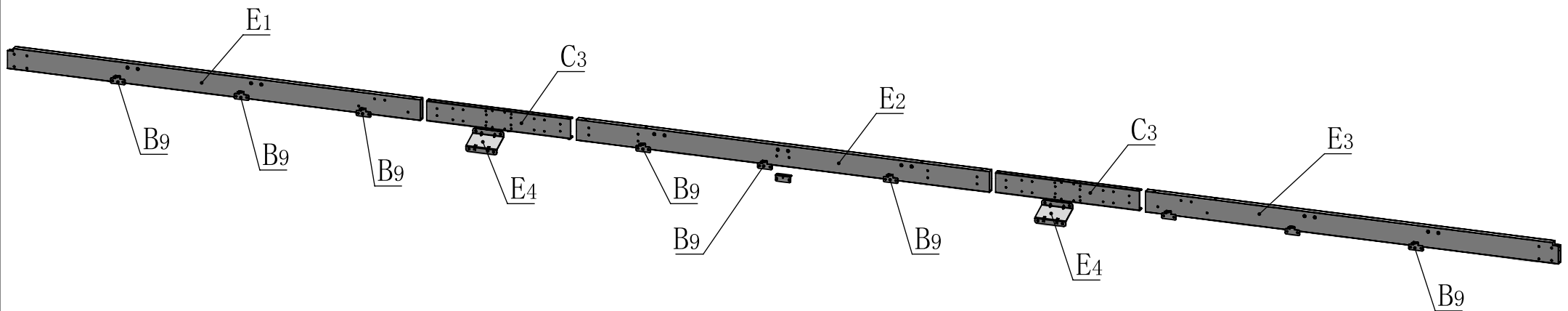
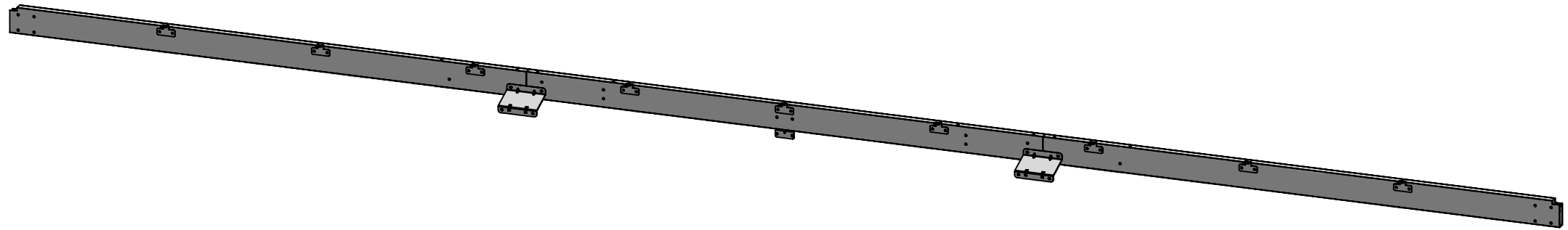


S4

16# 1X



Rear Beam Assembly





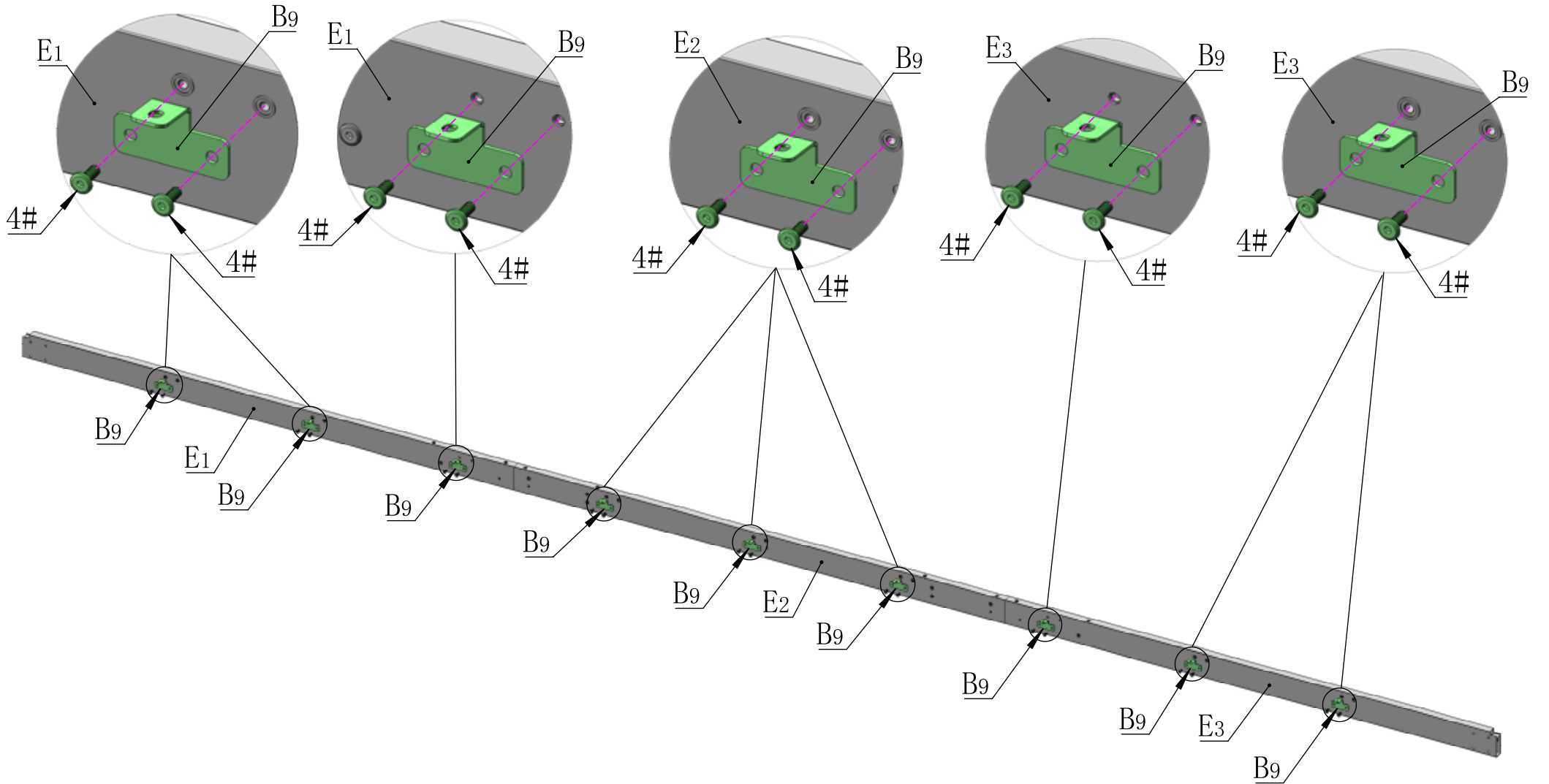
B9 9X

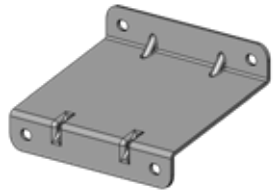


4# M6*16 18X



16# S4 1X





E4 2X



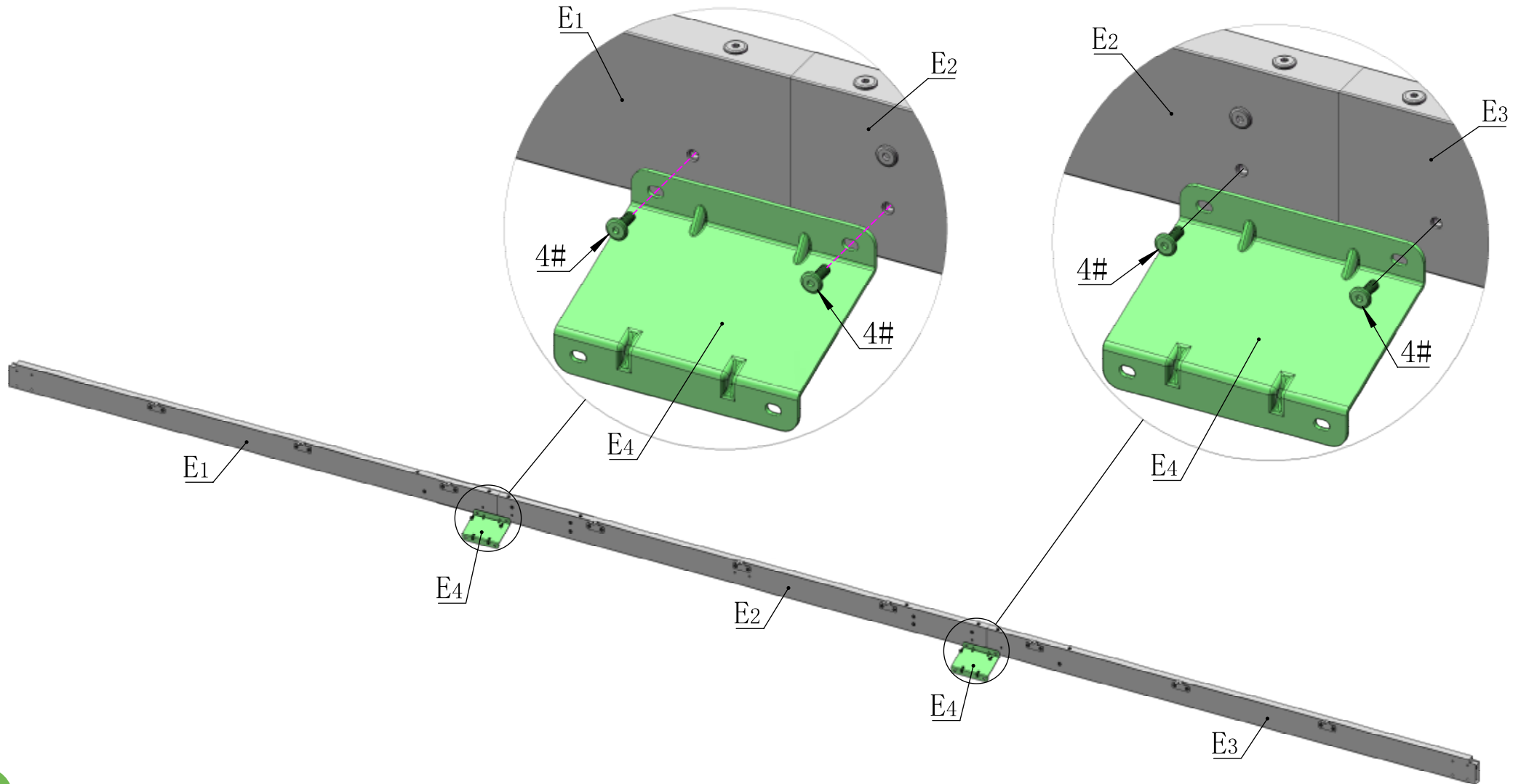
4# 4X

M6*16



16# 1X

S4





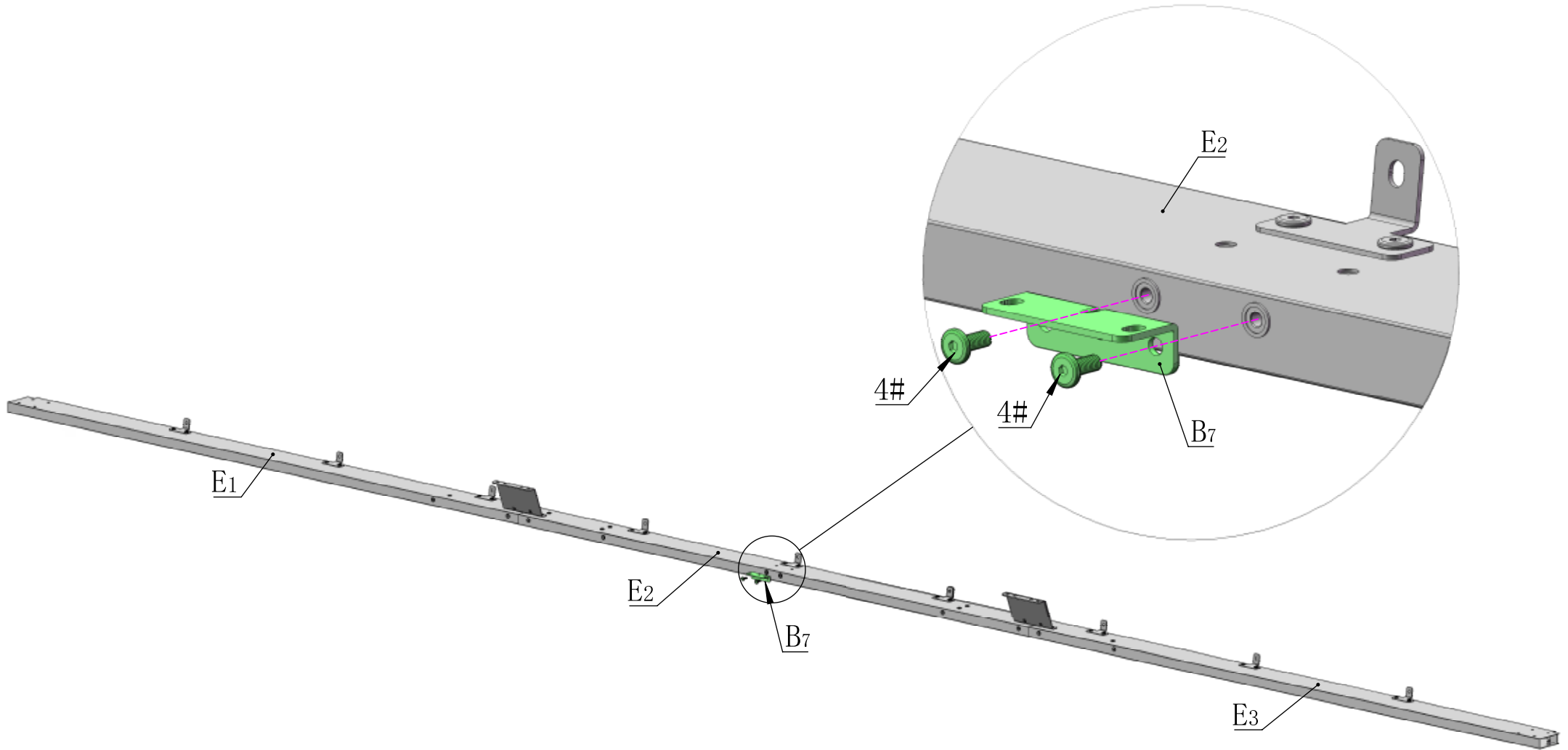
B7 1X



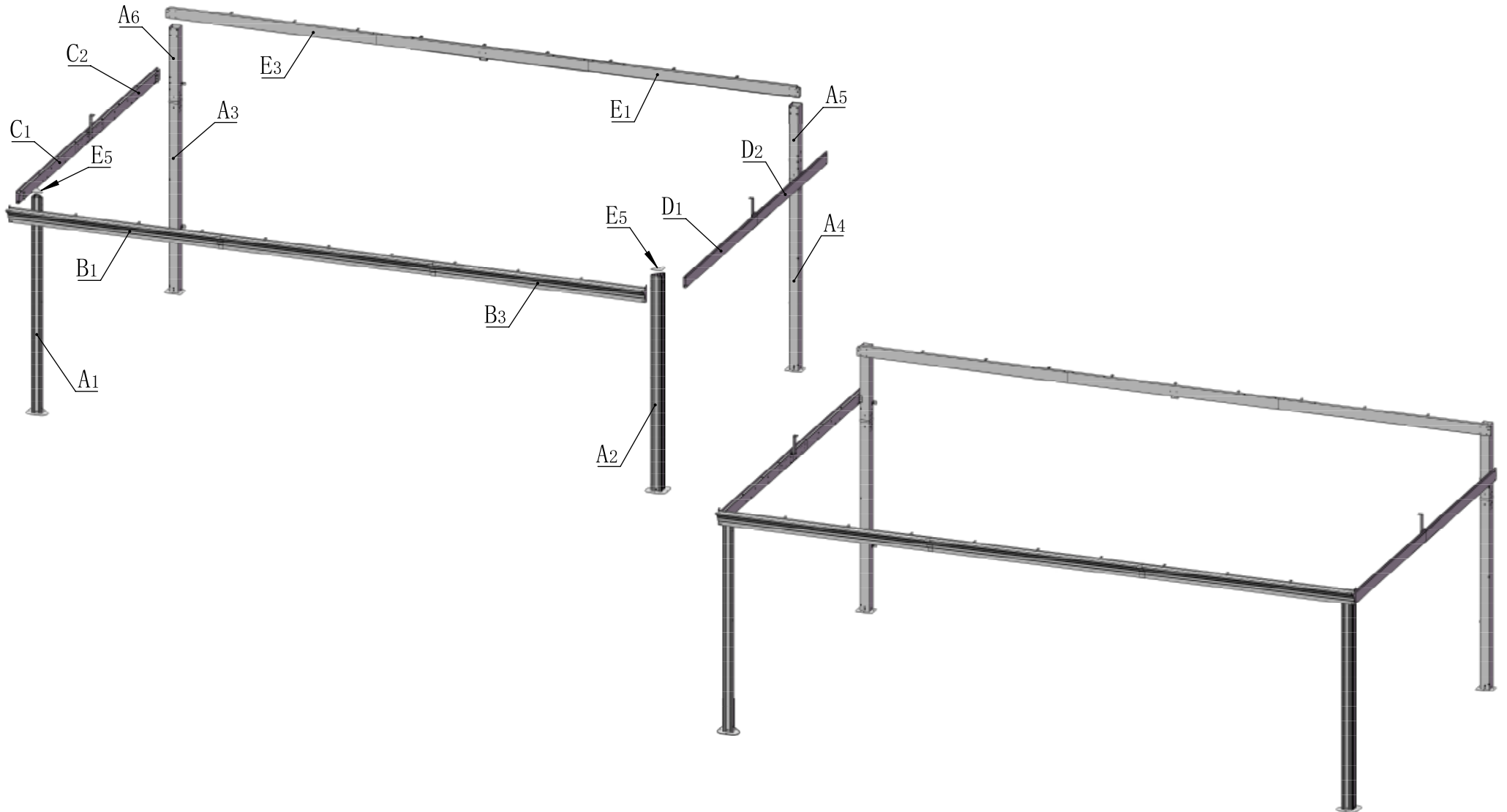
M6*16
4# 2X



S4
16# 1X



Frame Assembly





M6*16

4#

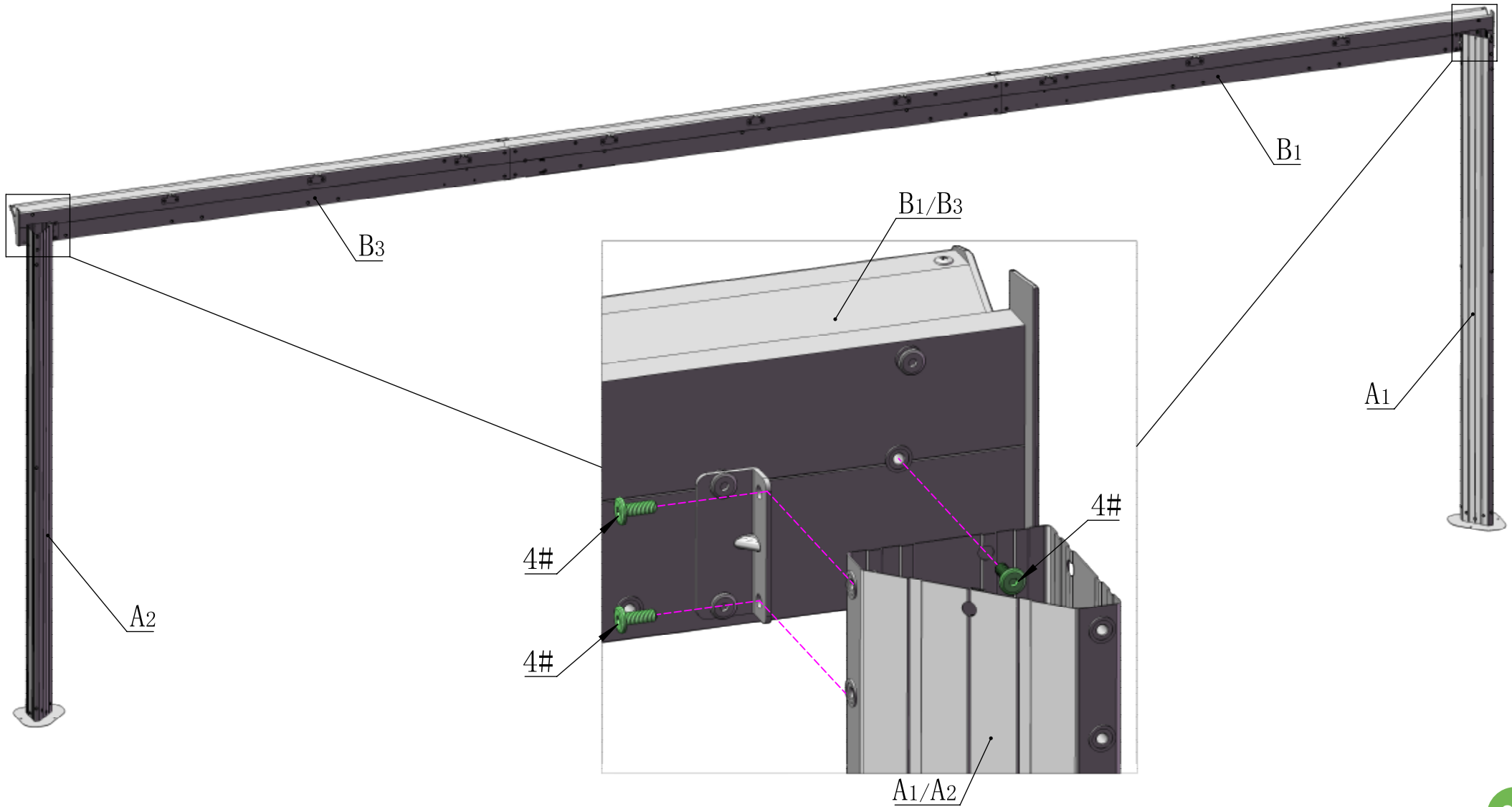
6X



S4

16#

1X





M6*16

4#

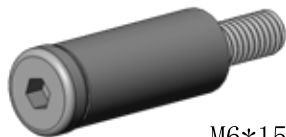
10X



M6*12 (L20)

7#

2X



M6*15 (L30)

8#

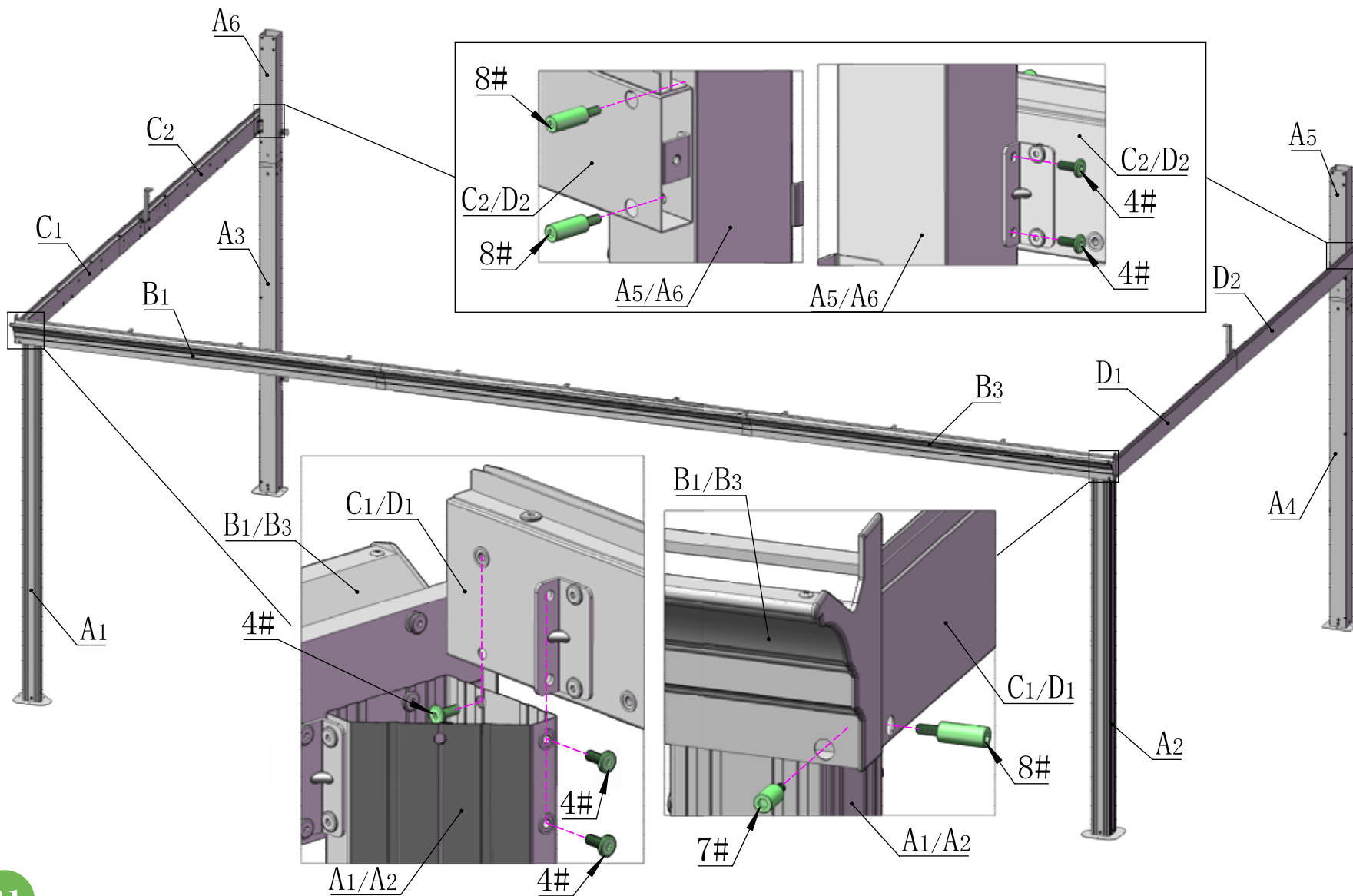
6X

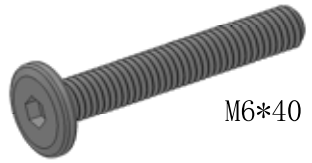


S4

16#

1X

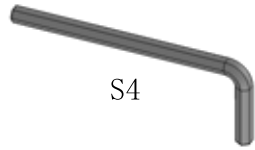




M6*40

6#

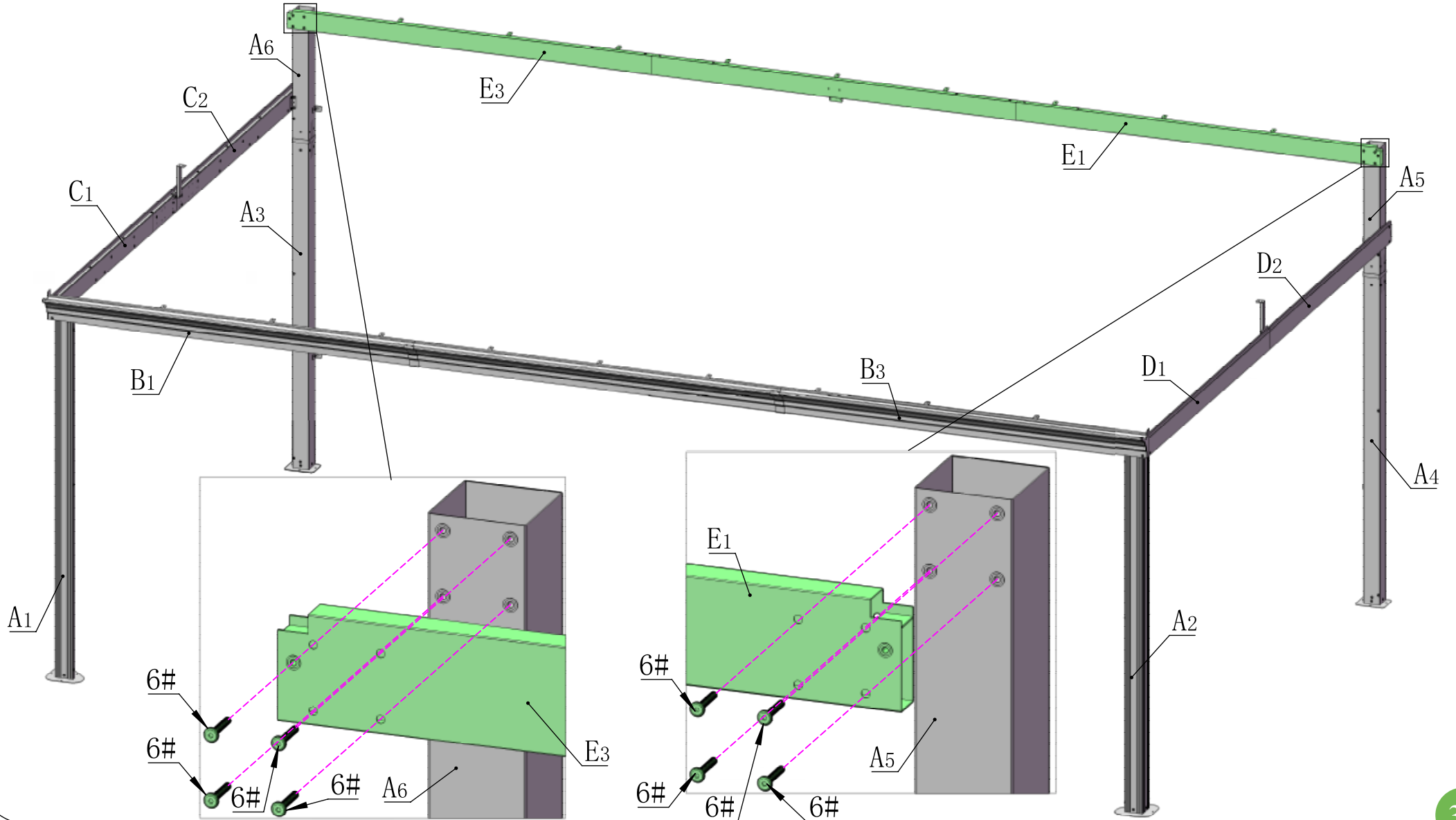
8X



S4

16#

1X





E5

2X



M6*16

4#

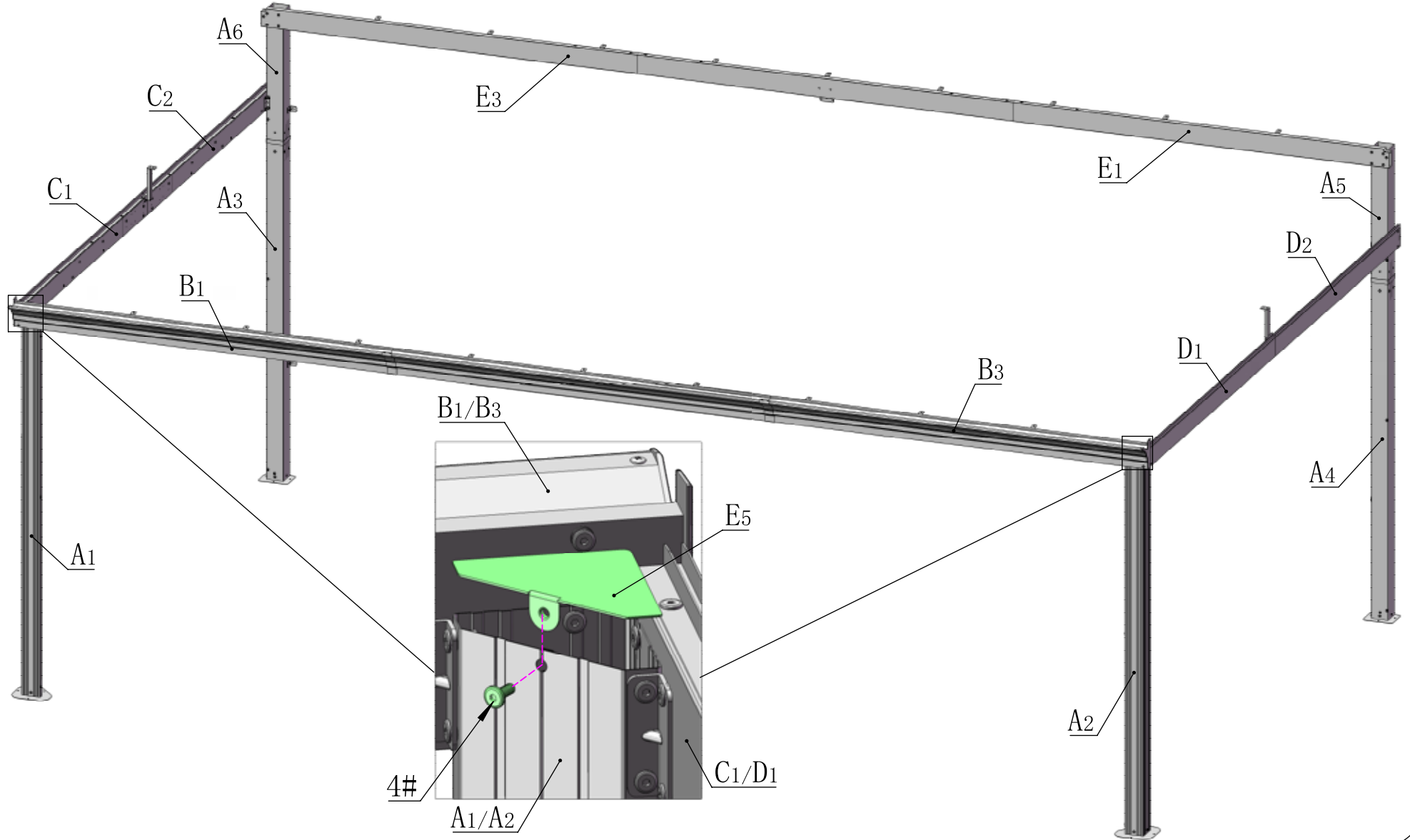
2X



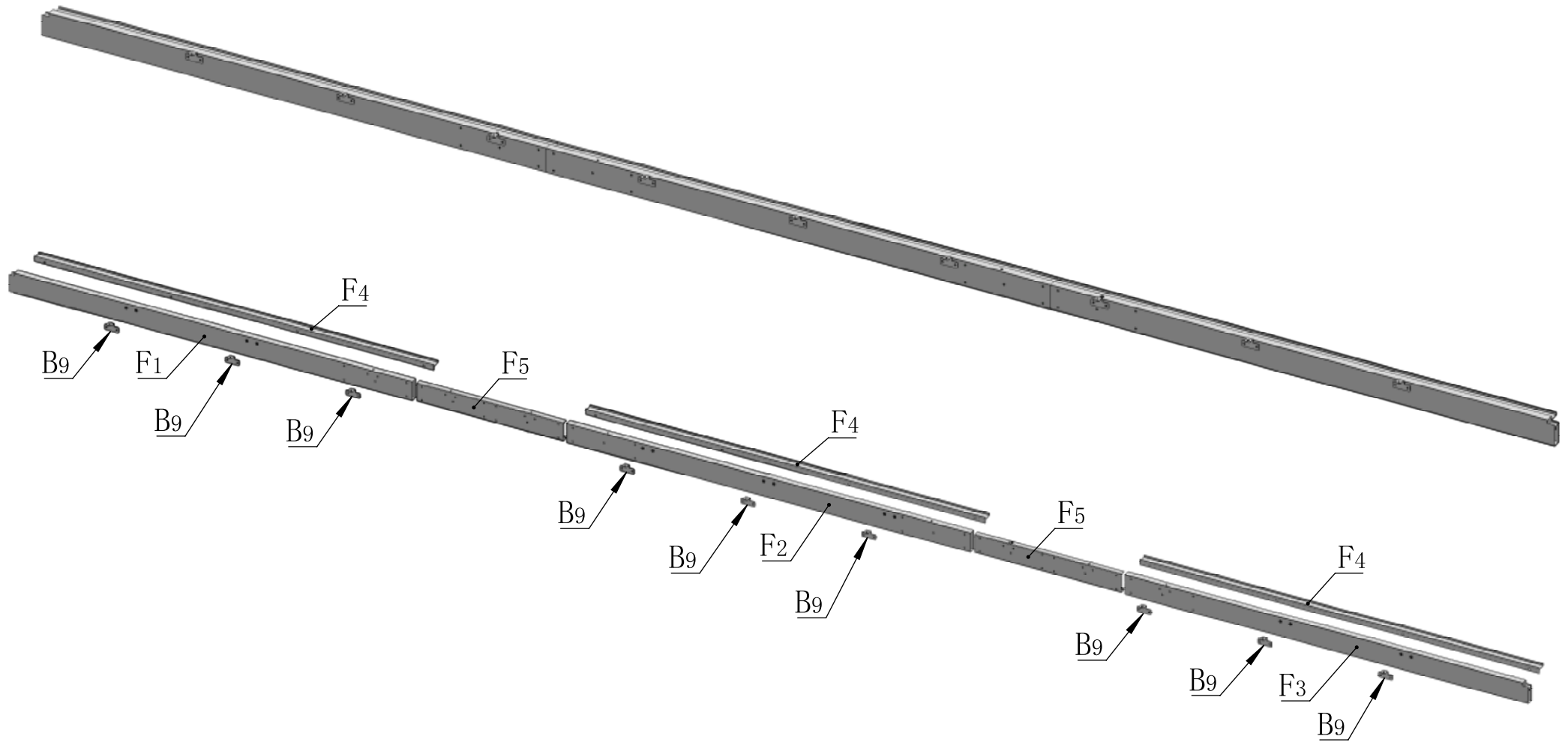
S4

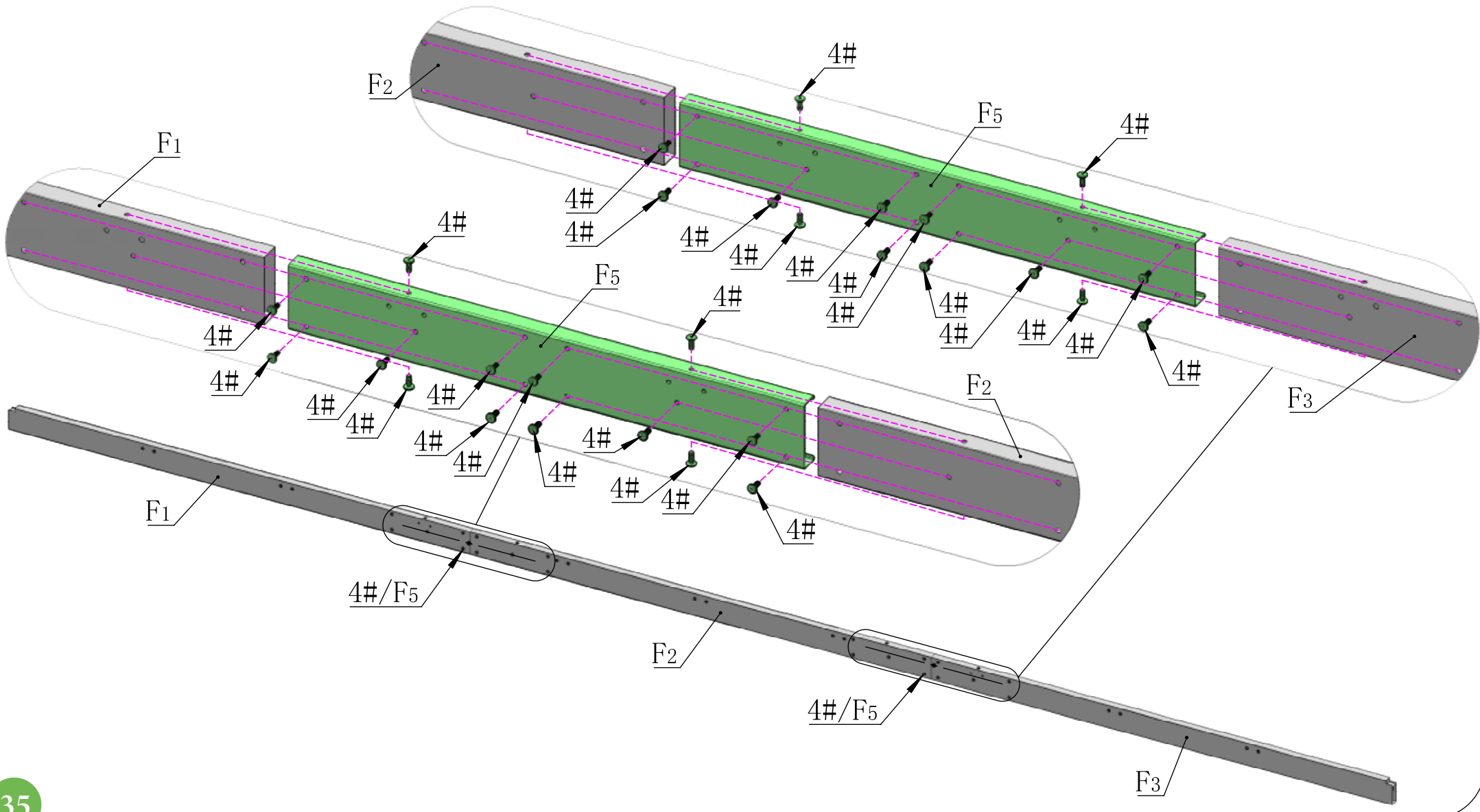
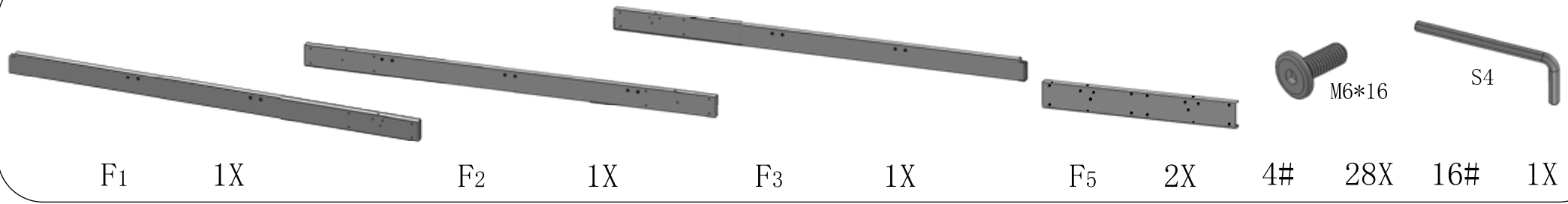
16#

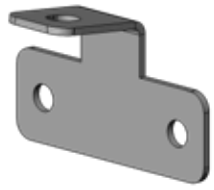
1X



Middle Beam Assembly





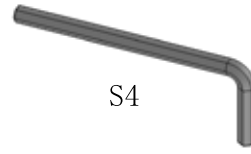


B9 9X



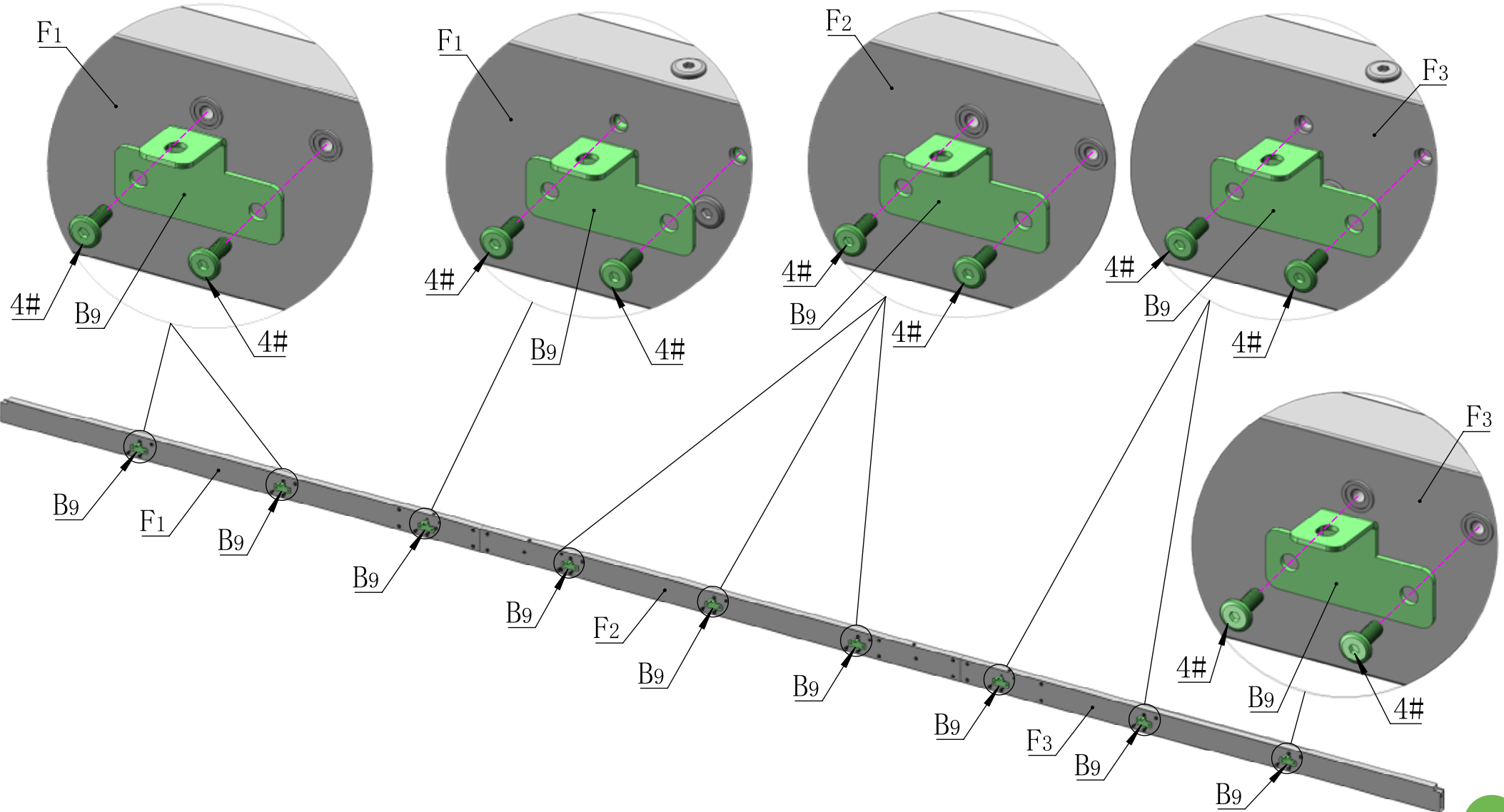
M6*16

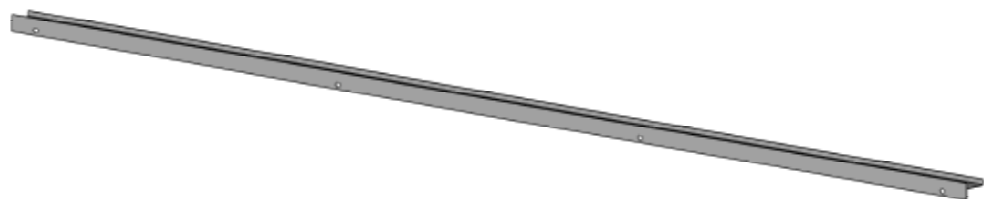
4# 18X



S4

16# 1X



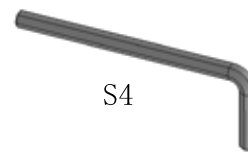


F4 3X



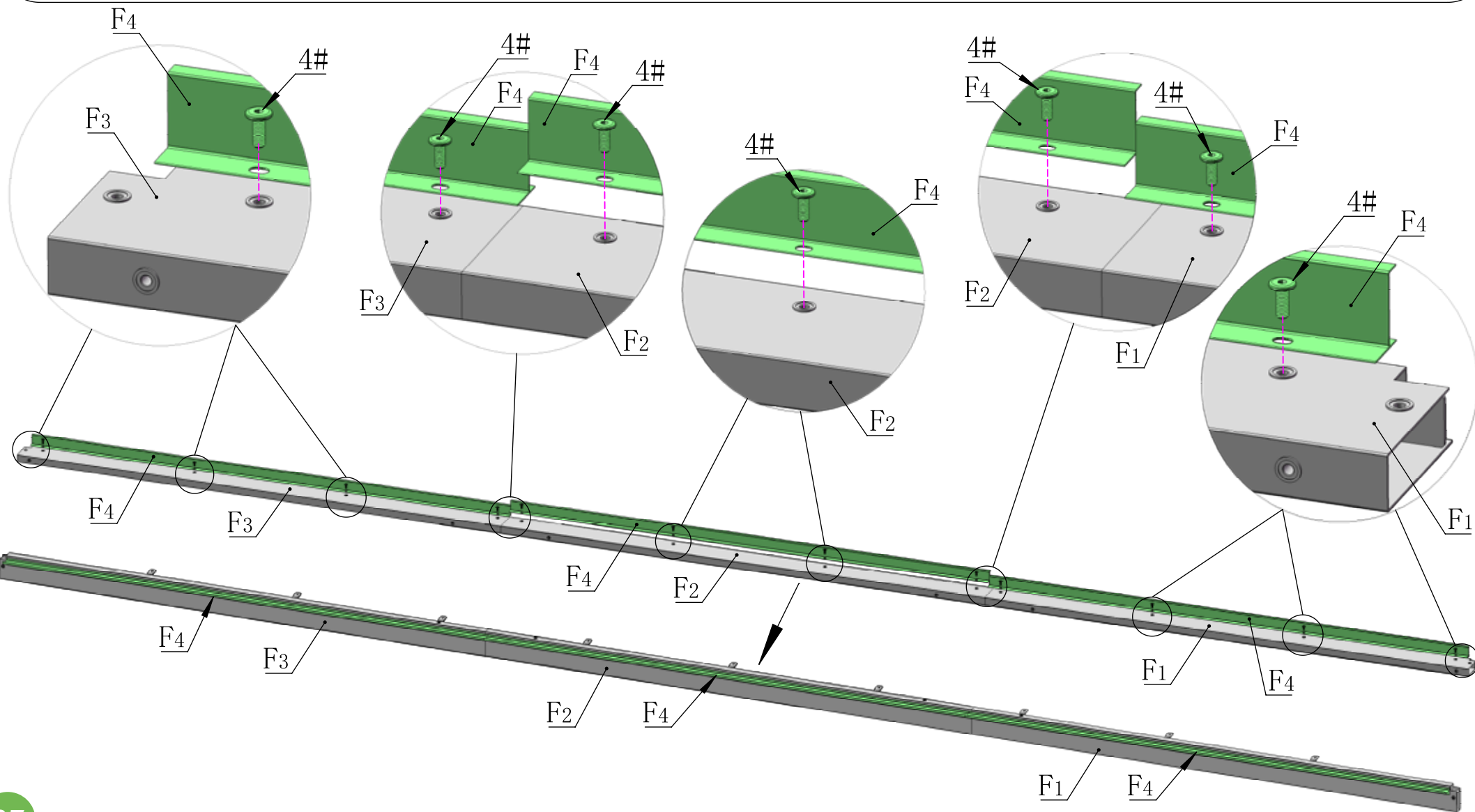
M6*16

4# 12X



S4

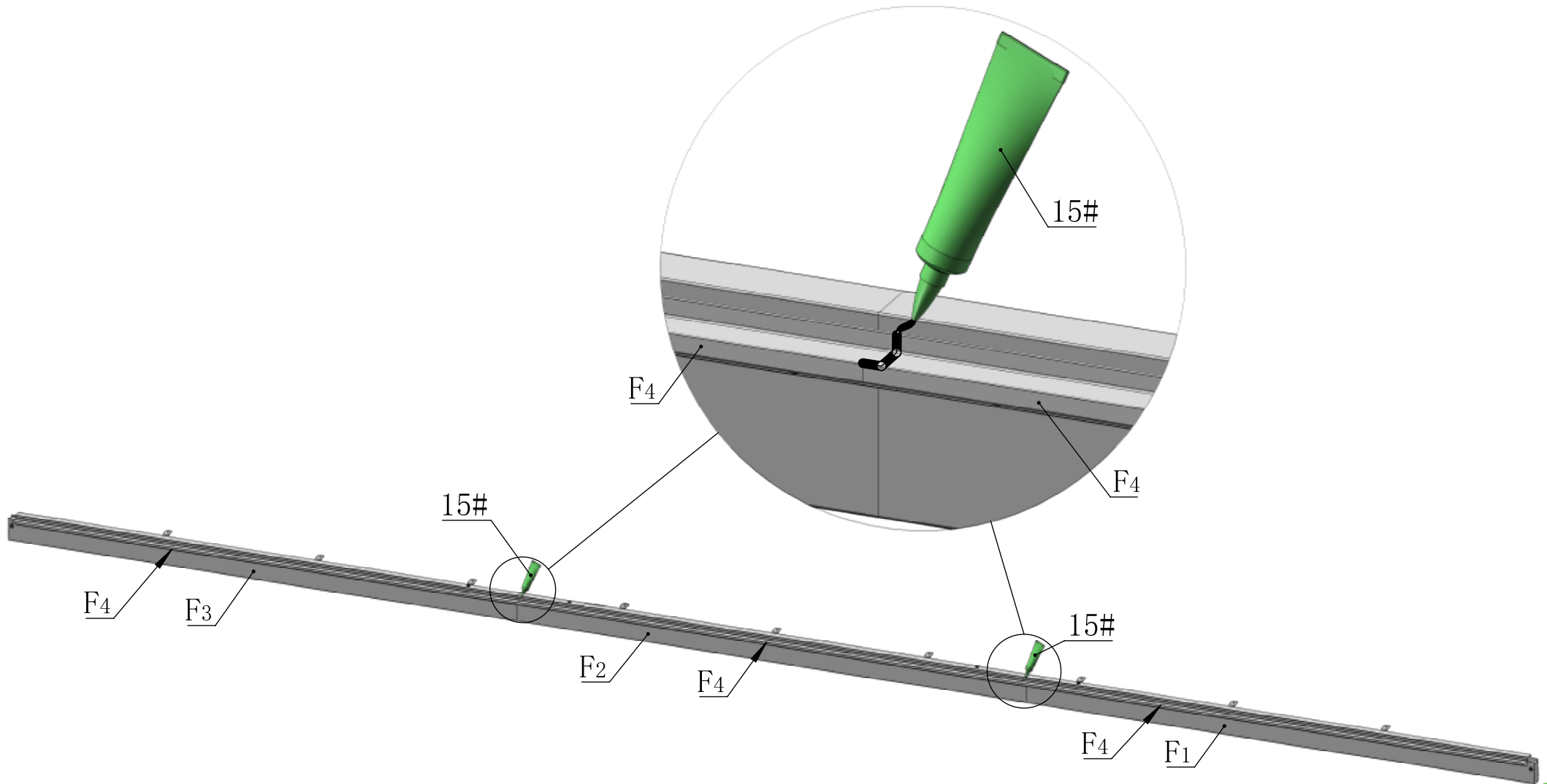
16# 1X

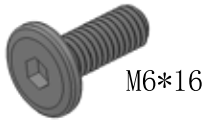




15# 1X

Use silicone sealant (part # 15) to affix the gap between the two beams.





M6*16



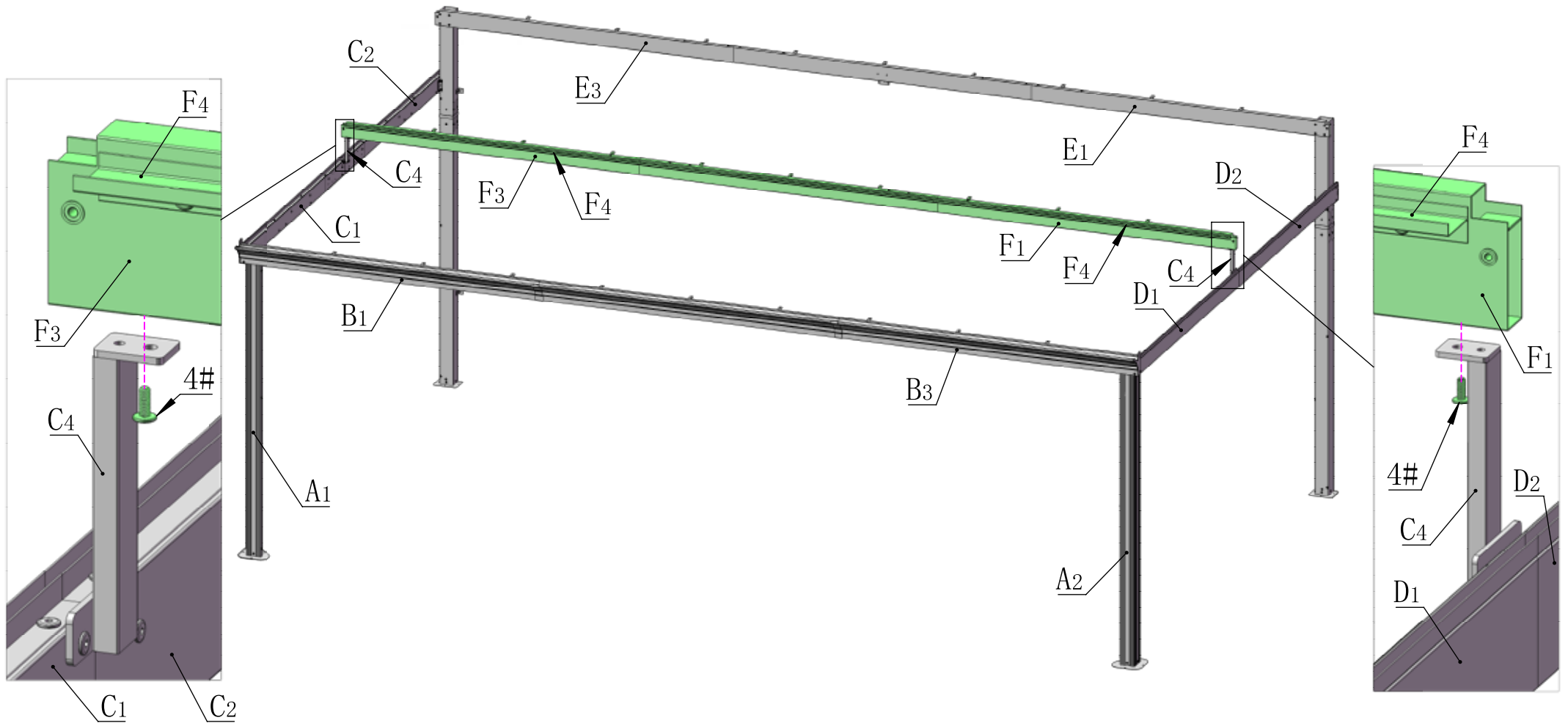
S4

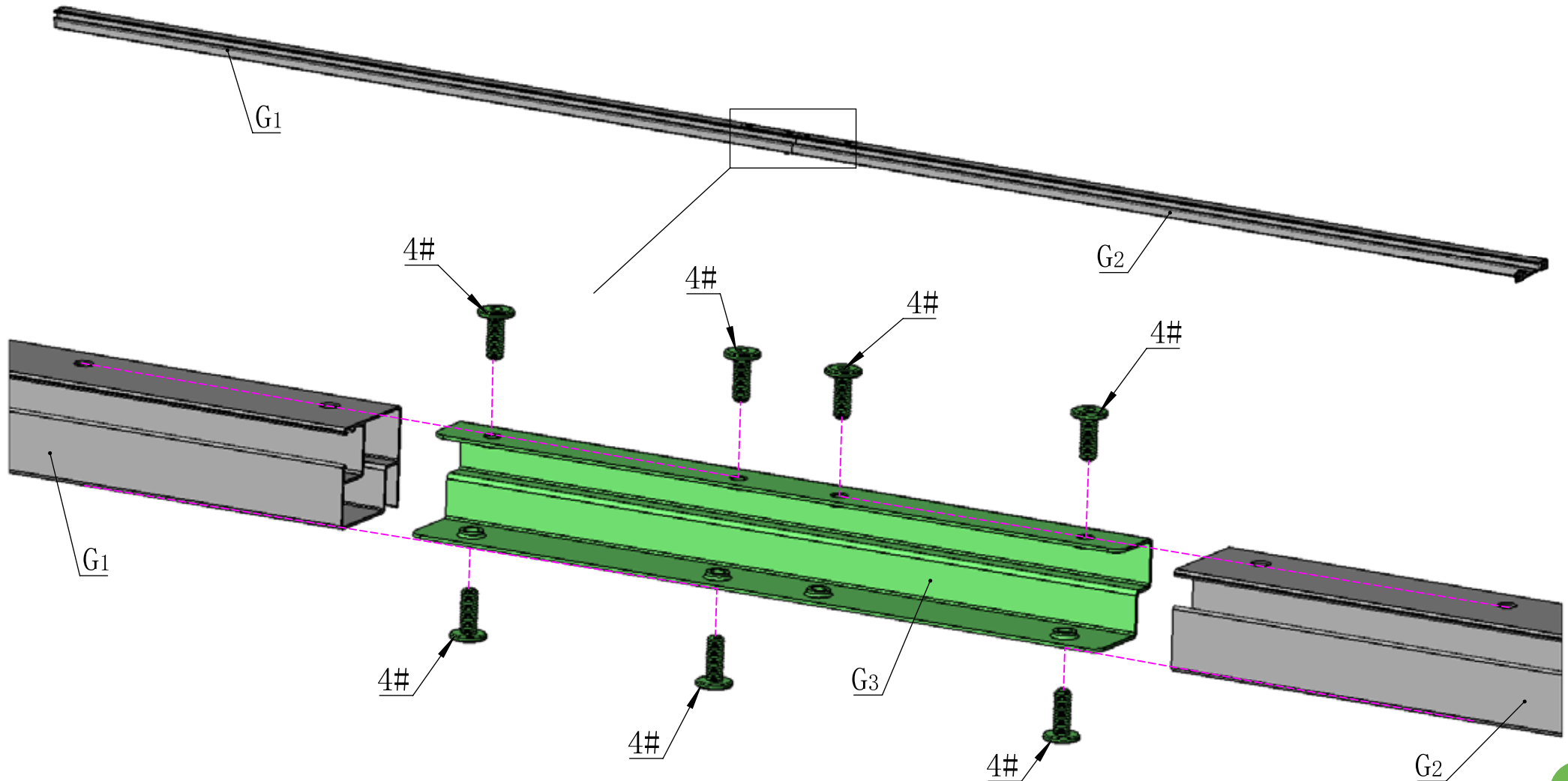
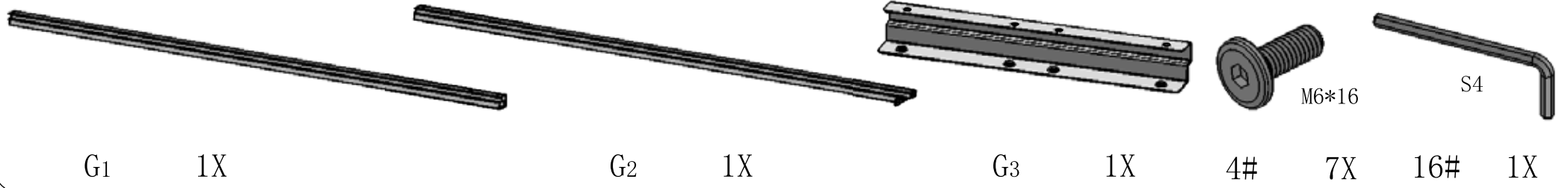
4#

2X

16#

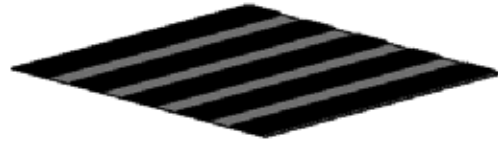
1X





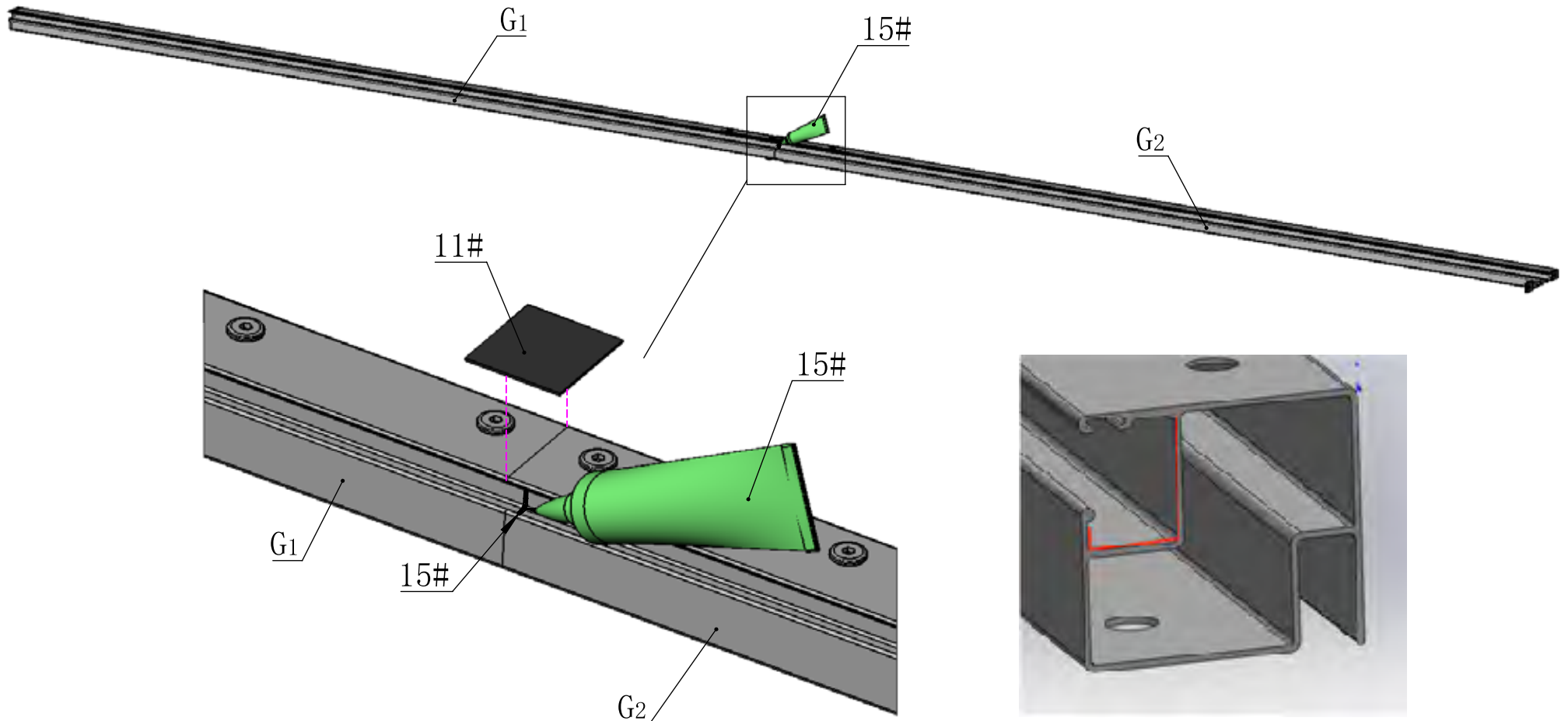


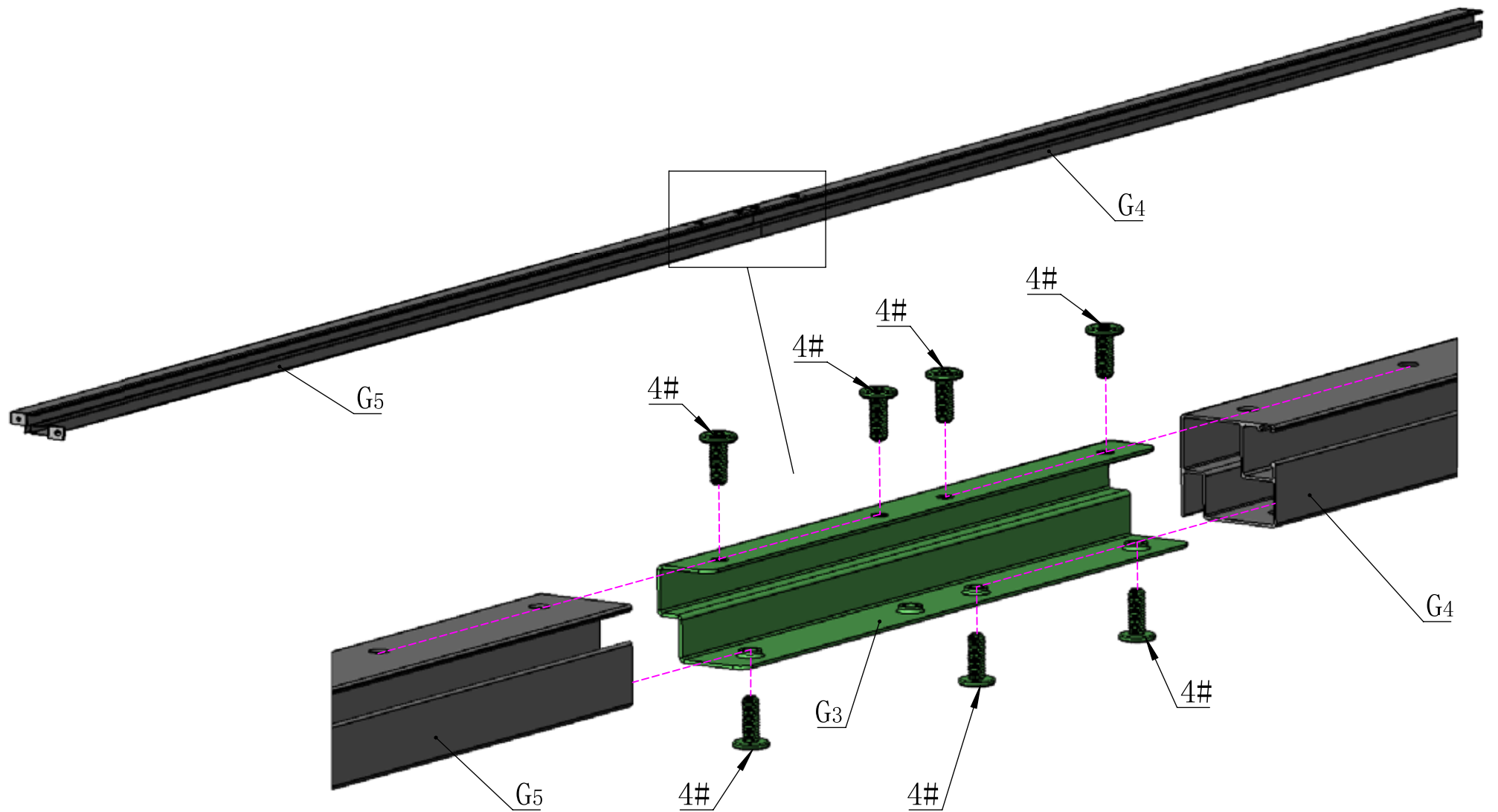
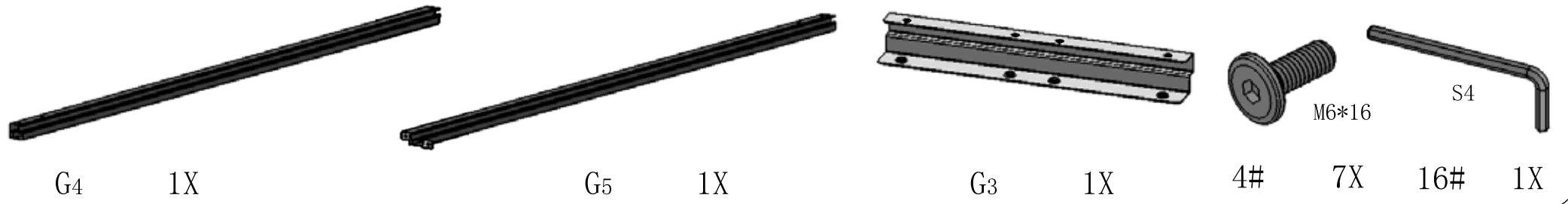
15# 1X



11# 1X

Apply a strip of waterproof tape (part # 11) on the gap between G1 and G2.
Then, fill the gap in the groove with silicone sealant (part # 15).





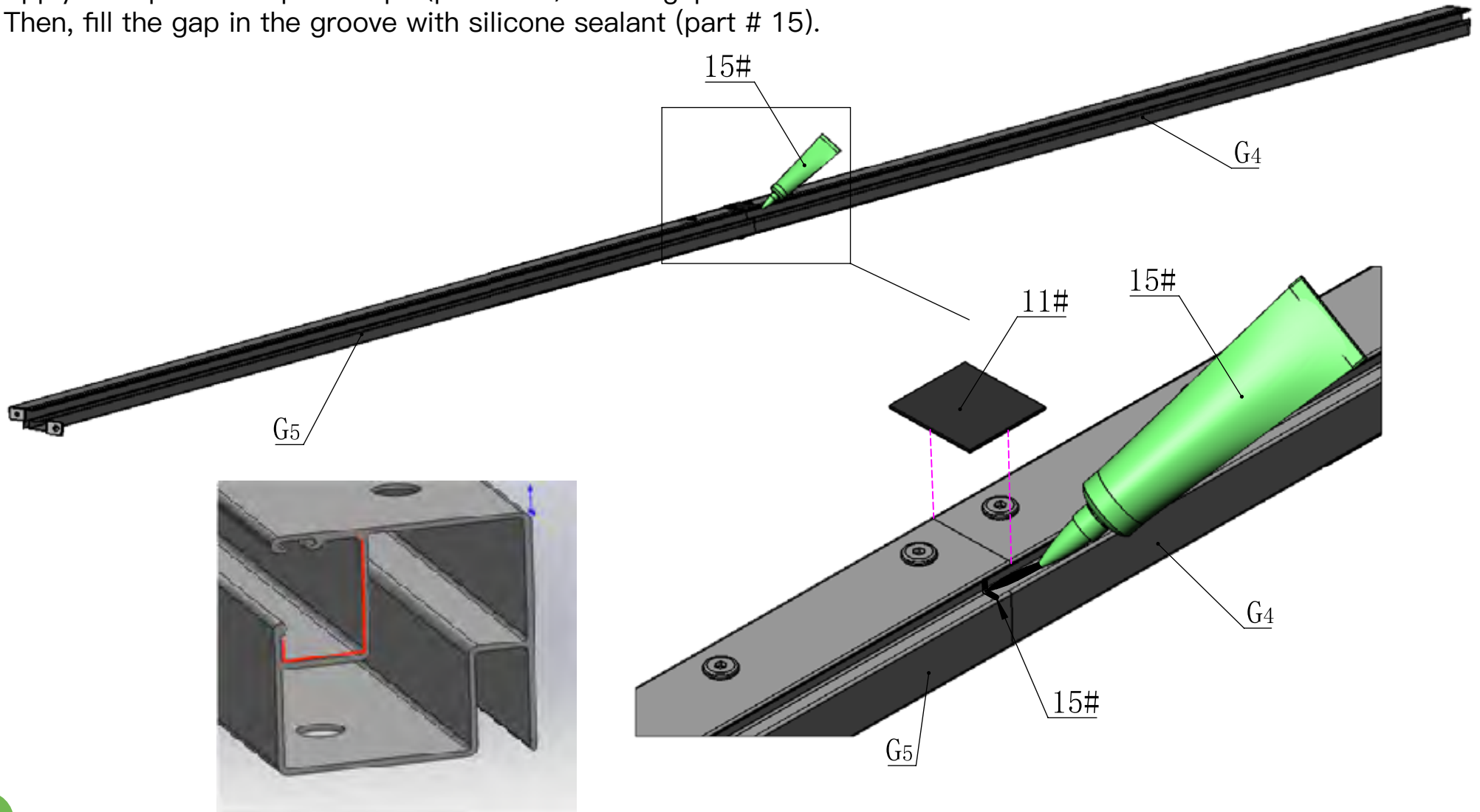


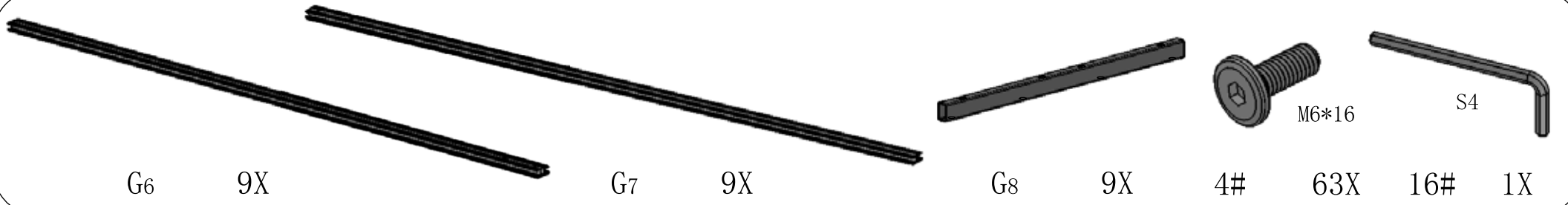
15# 1X



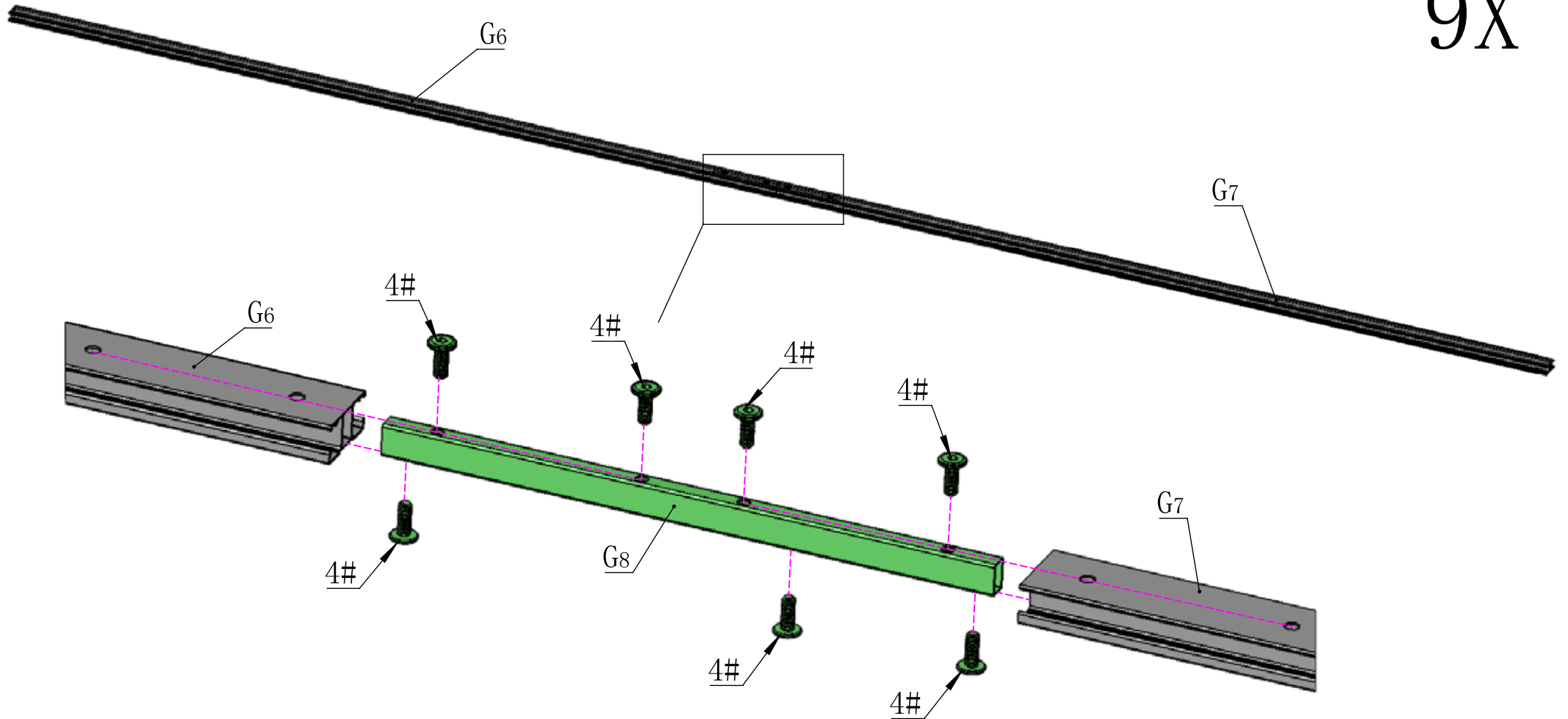
11# 1X

Apply a strip of waterproof tape (part # 11) on the gap between G4 and G5.
Then, fill the gap in the groove with silicone sealant (part # 15).





9X





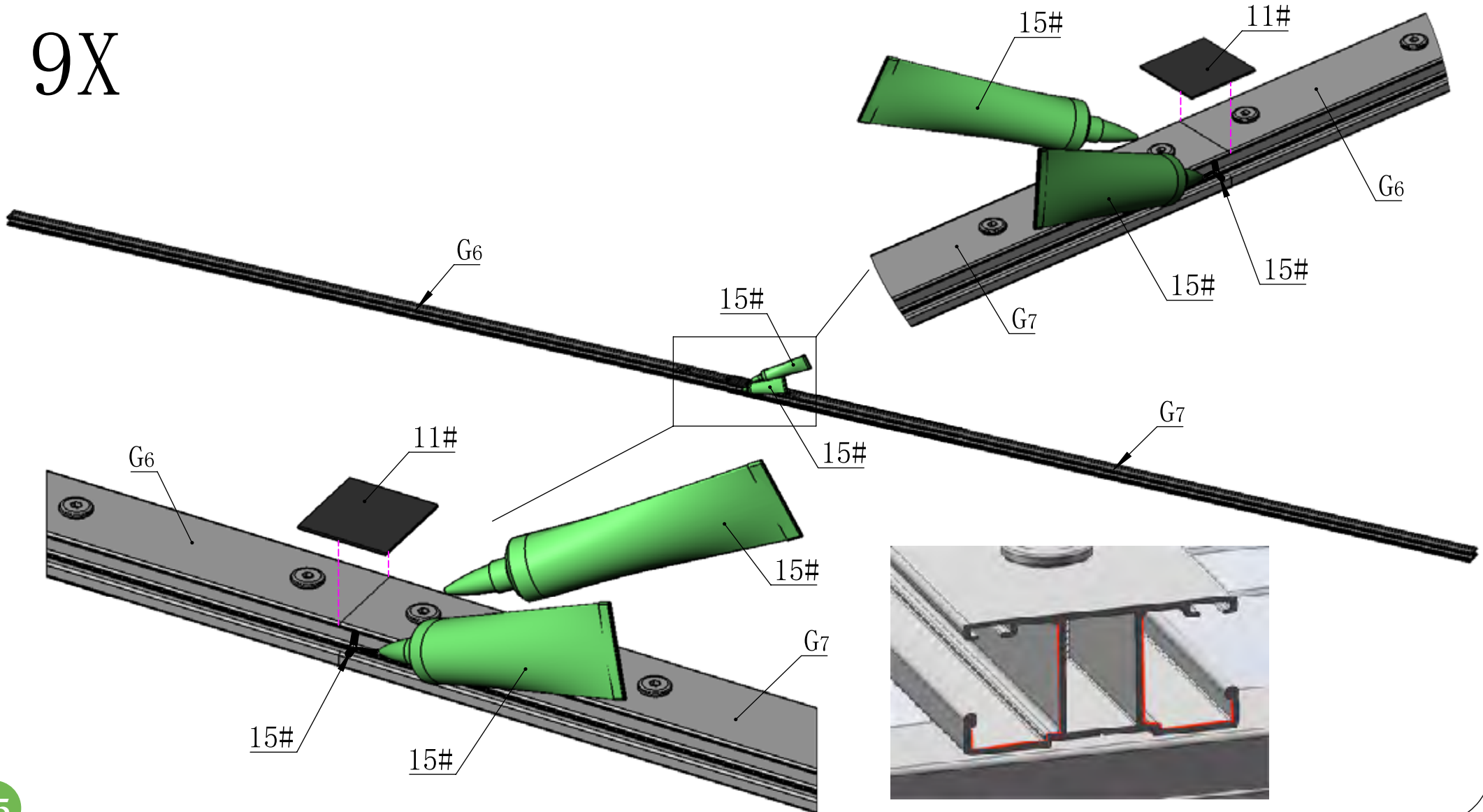
15# 1X



11# 1X

Apply a strip of waterproof tape (part #11) on the gap between G6 and G7. Then, use silicone sealant (part # 15) to fill the gap in the groove on both sides.

9X

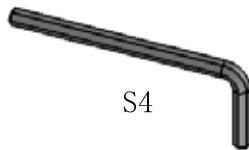




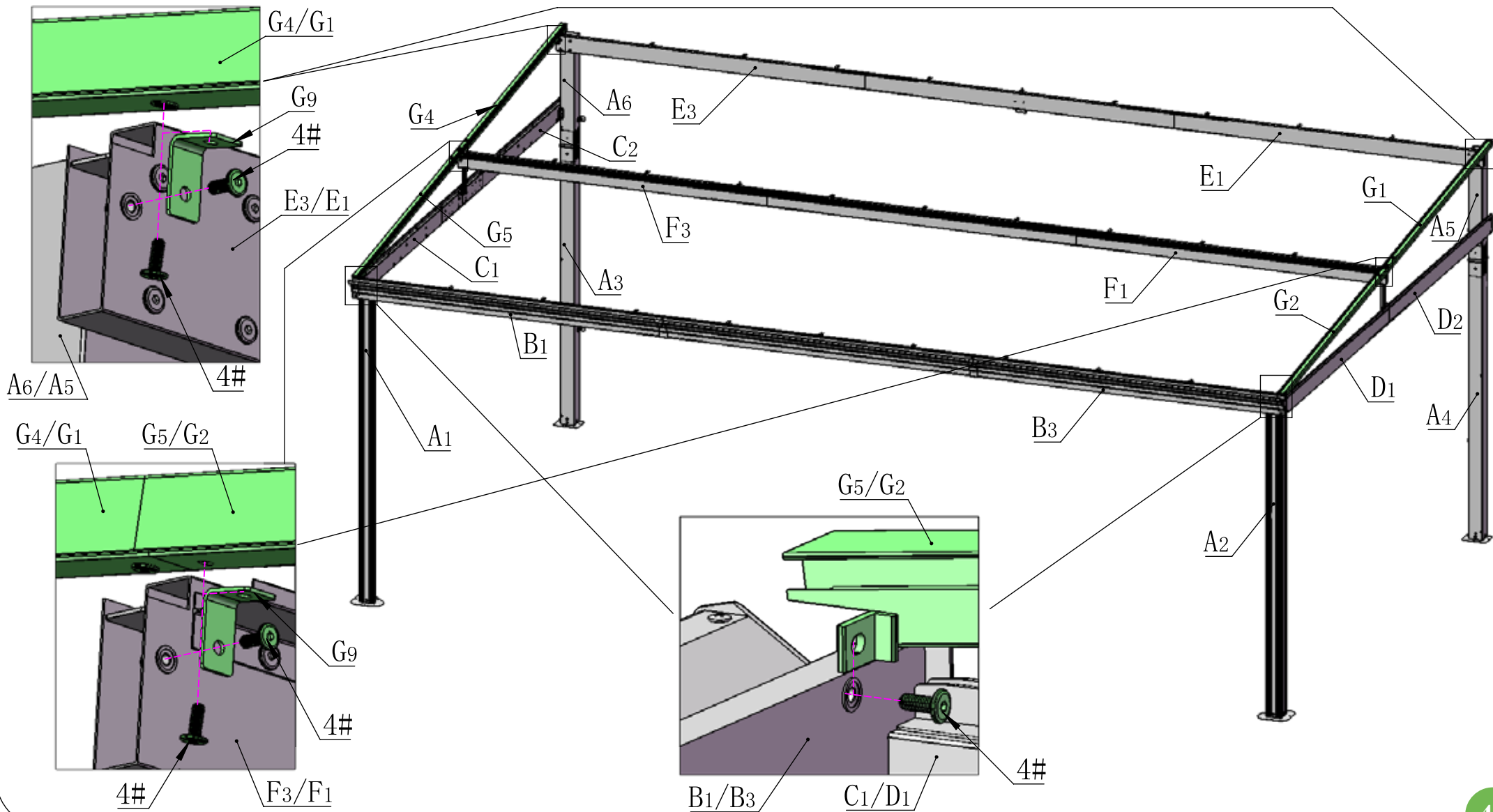
G9 4X



M6*16
4# 10X

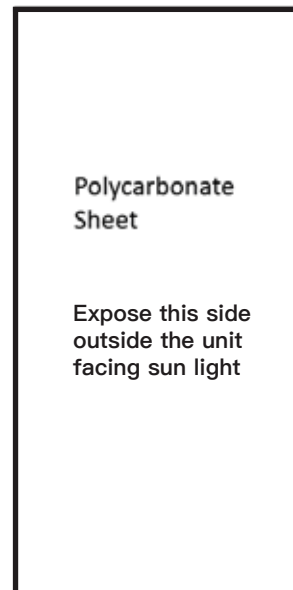


S4
16# 1X



IMPORTANT! POLYCARBONATE INFORMATION

- Each polycarbonate panel has a UV coating on only ONE (1) side of the panel.
- To install properly so the UV coating is on the outside of the panel.

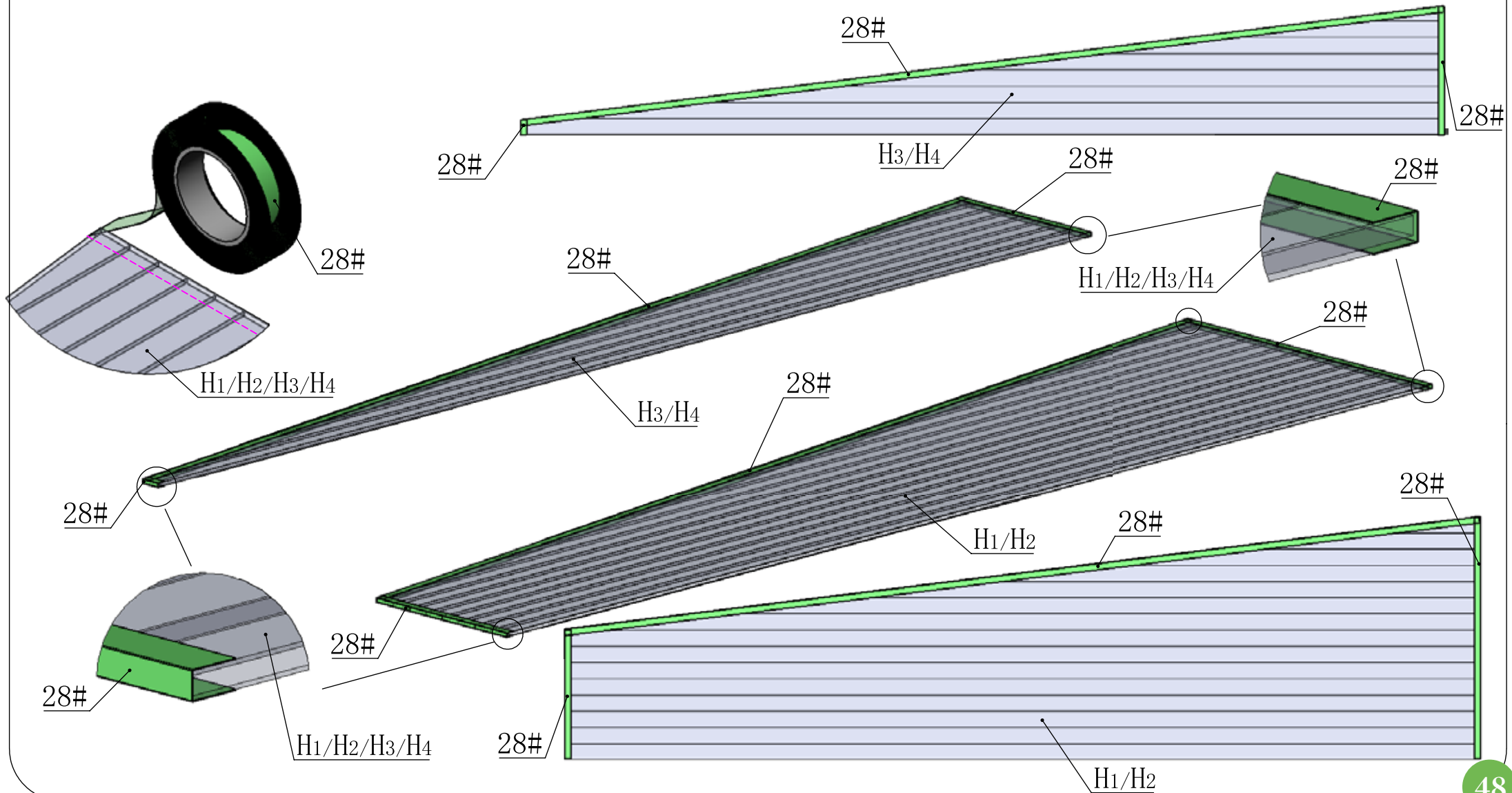


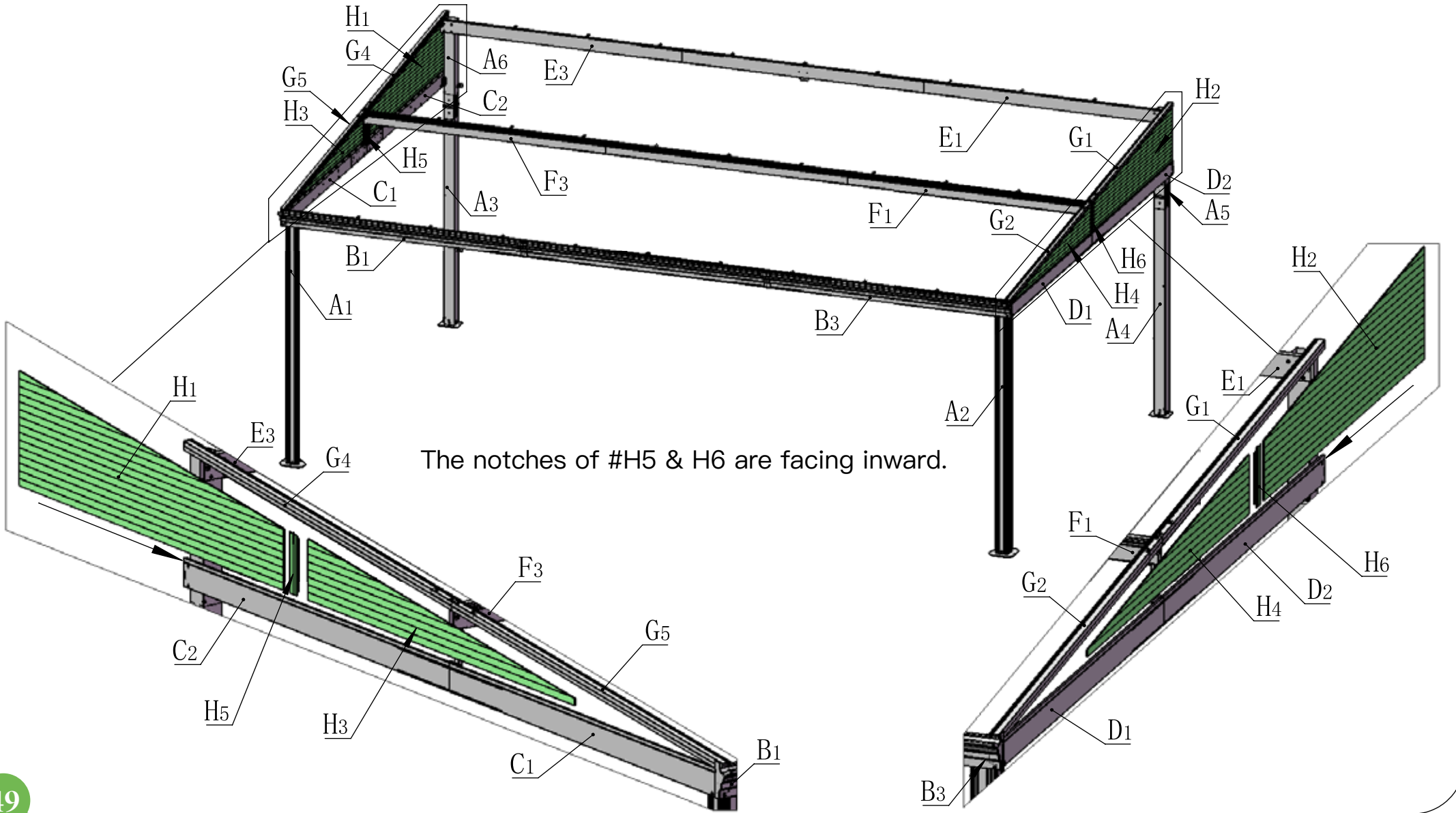
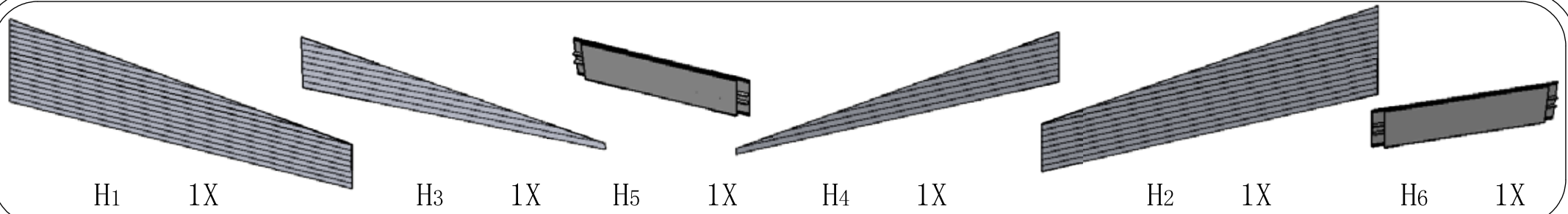
- Remove film immediately before installing tape to prevent damage to the panels.



28# 1X

Note: Before installing the side panel, make sure to remove the protective film. Then centre the tape (#28) on the polycarbonate panel so it is equal on both sides. Fold the tape around the edges and rub gently to avoid damaging the tape.



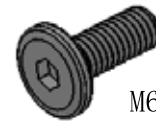




H7 1X

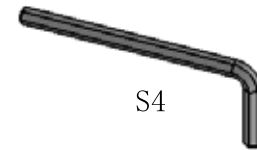


H8 1X



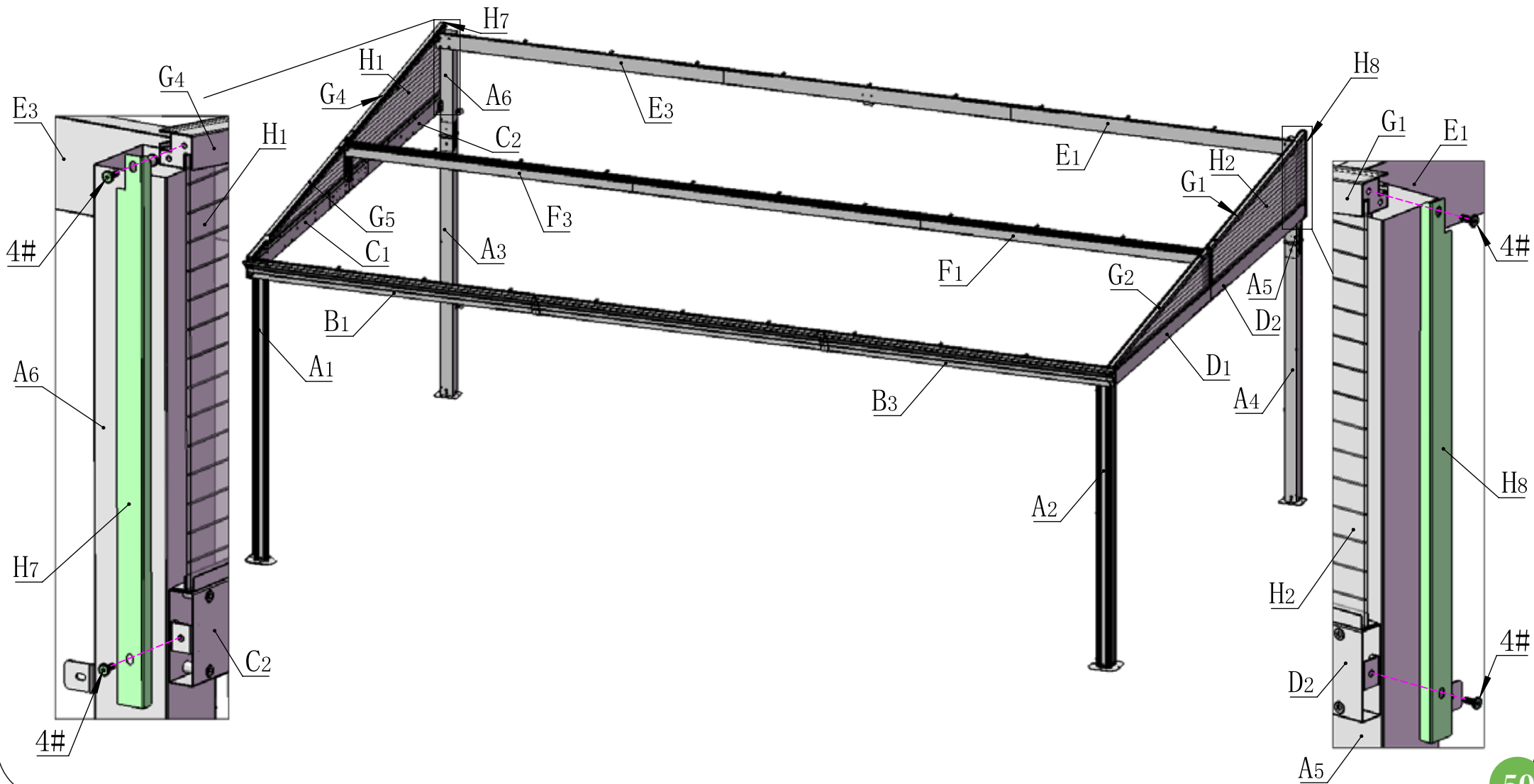
M6*16

4# 4X



S4

16# 1X





M6*16

4#

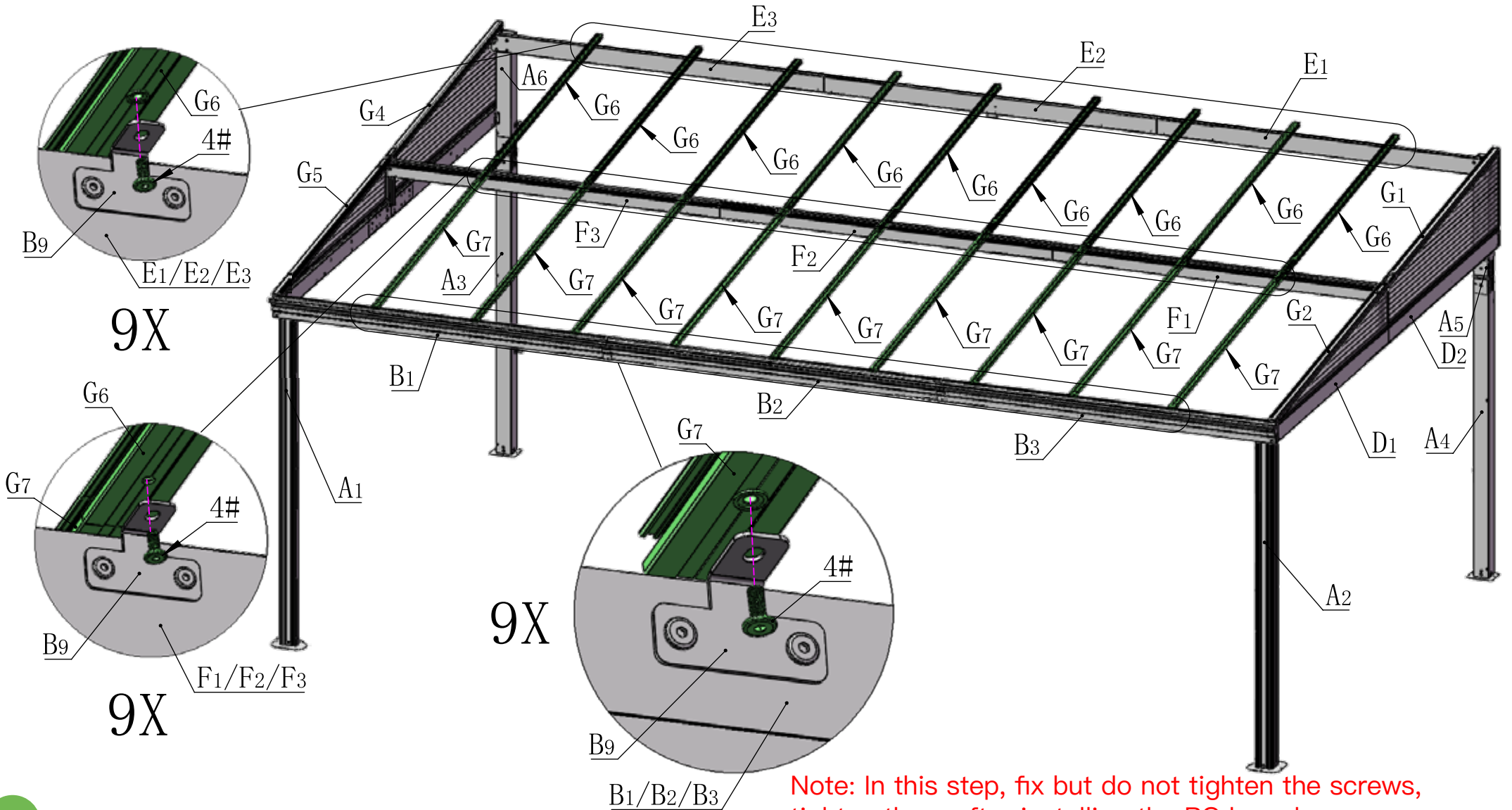
27X



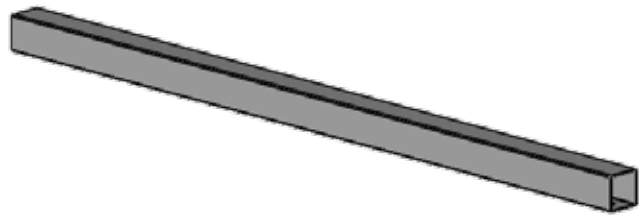
S4

16#

1X



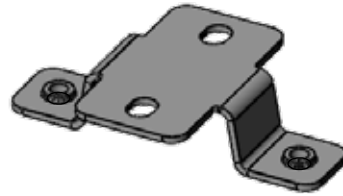
Note: In this step, fix but do not tighten the screws, tighten them after installing the PC board.



J1 2X



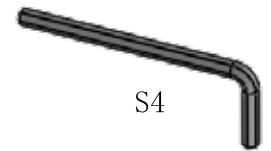
J2 2X



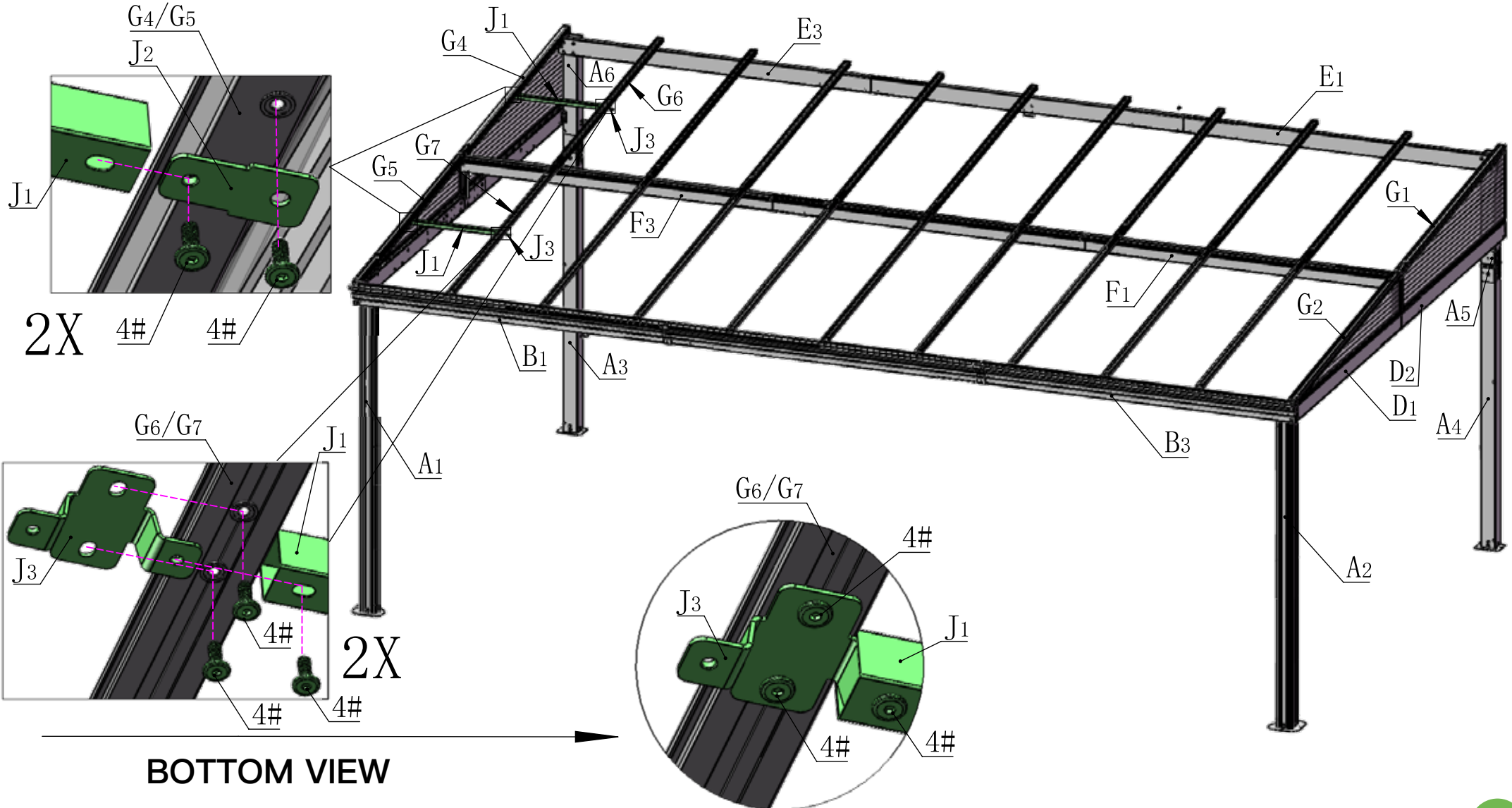
J3 2X

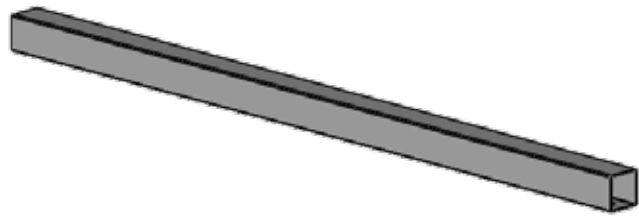


4# 10X



16# 1X

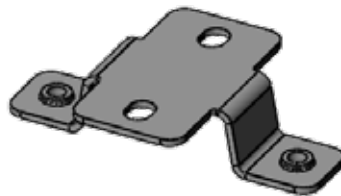




J1 18X



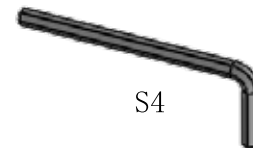
J2 2X



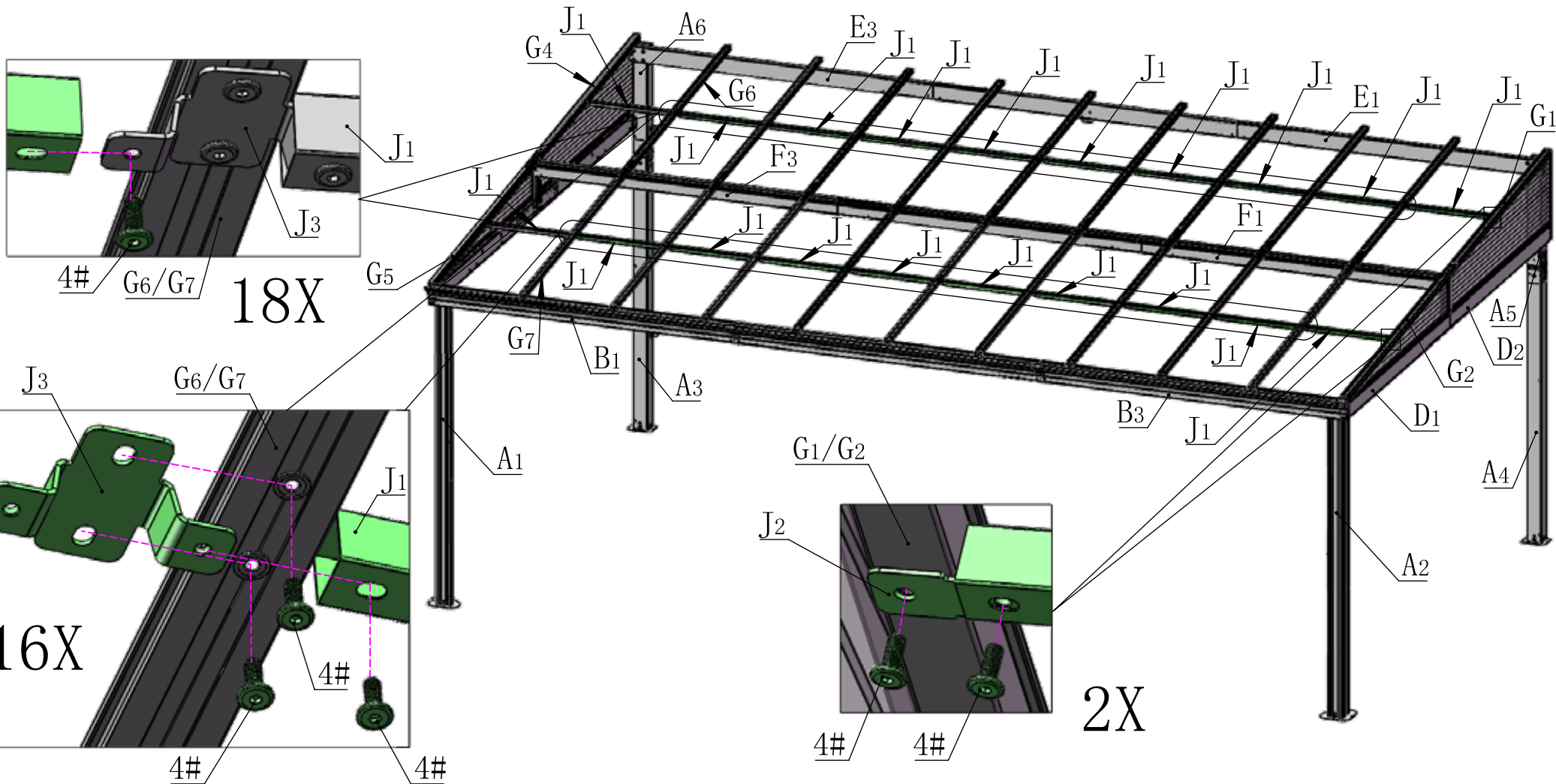
J3 16X

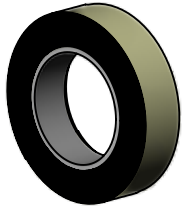


4# M6*16



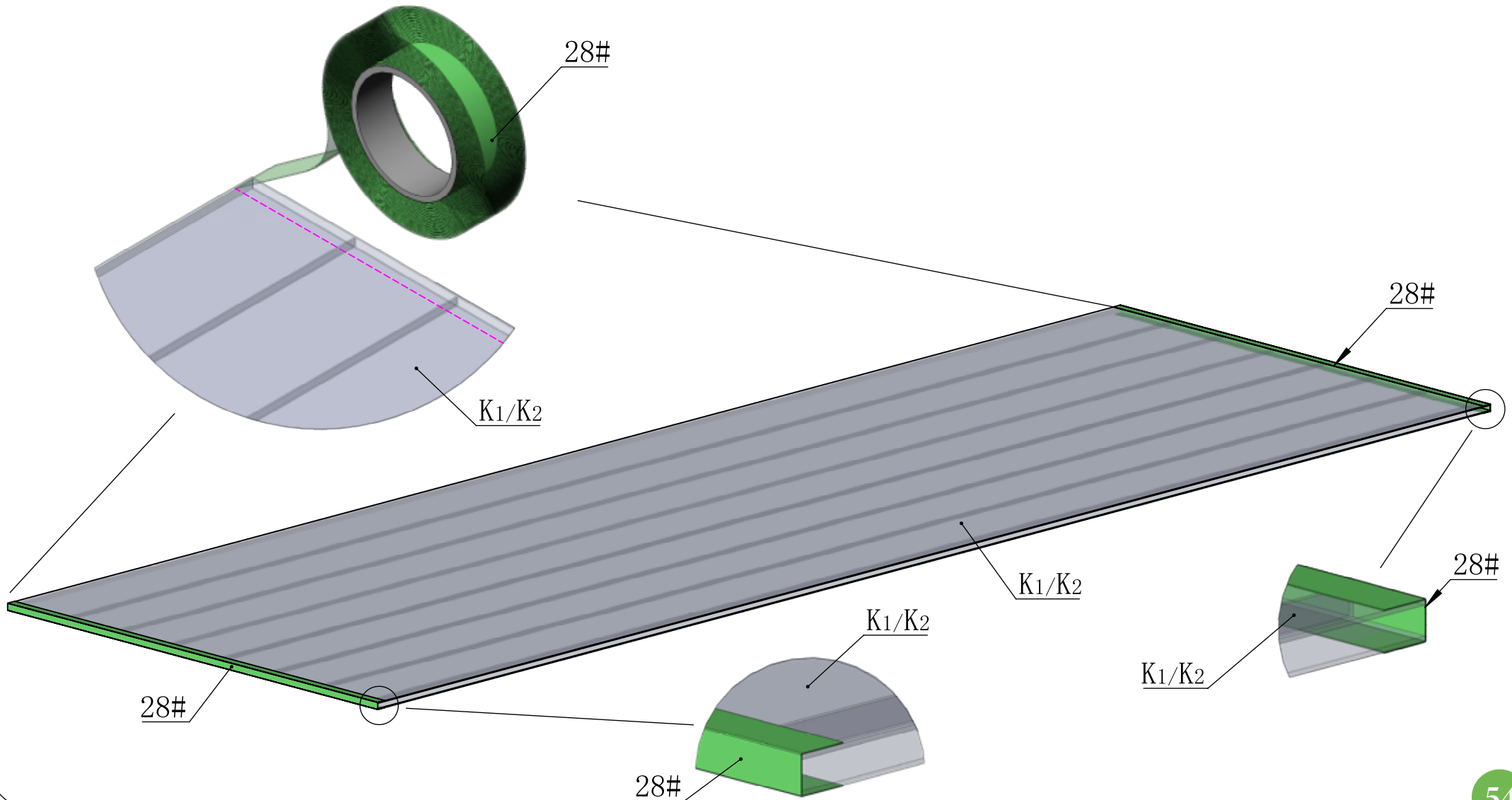
16# S4 1X

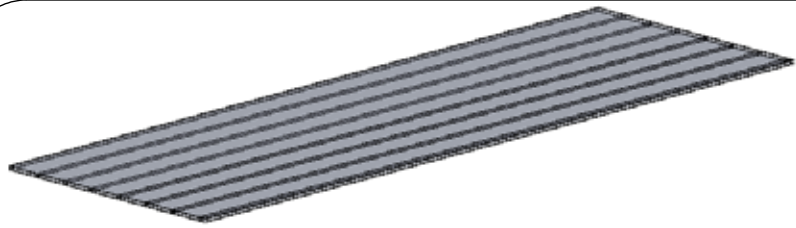




28# 1X

Note: Before installing the top panel, make sure to remove the protective film. Then centre the tape (#28) on the polycarbonate panel so it is equal on both sides. Fold the tape around the edges and rub gently to avoid damaging the tape.





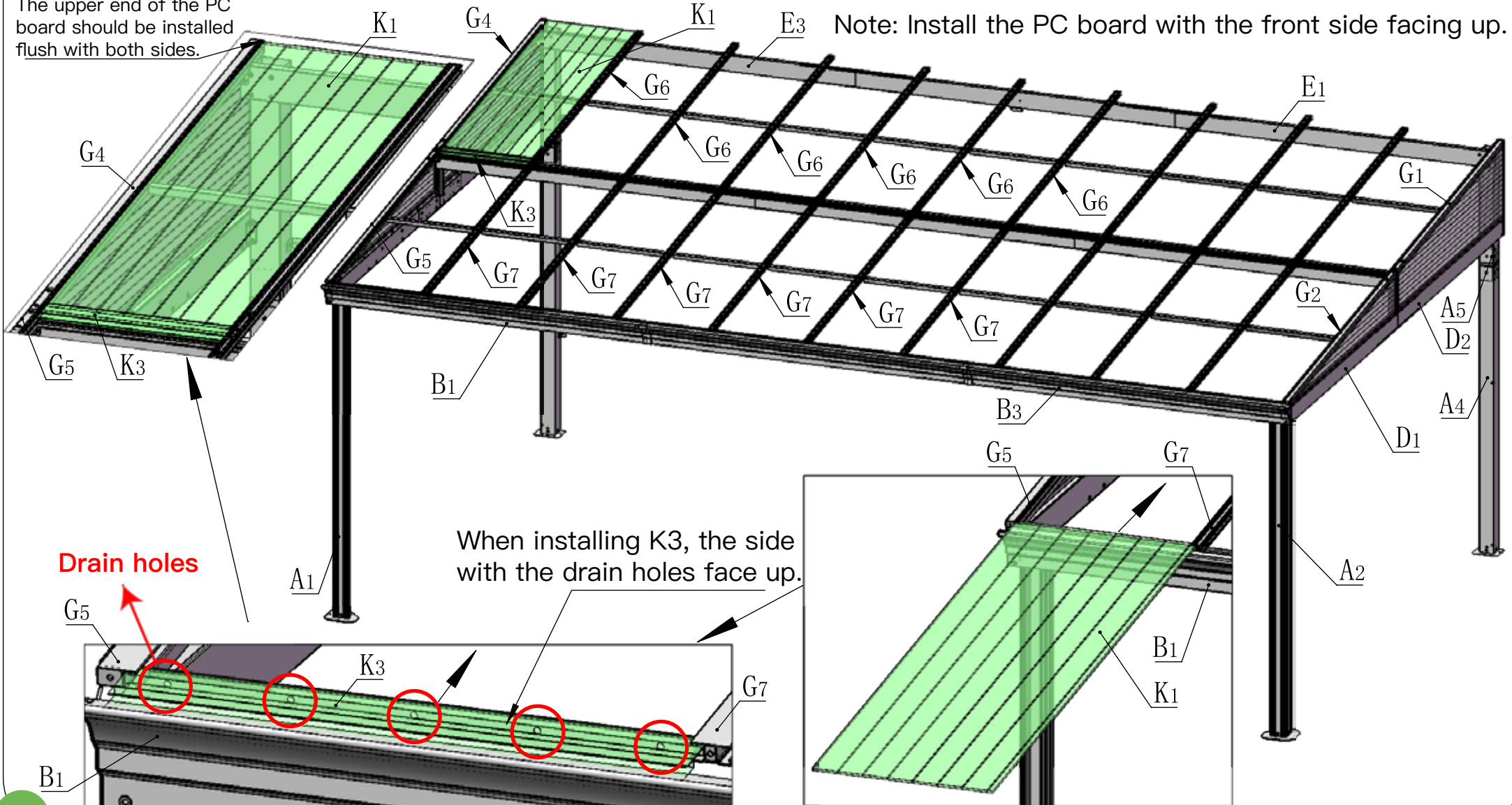
K1 1X



K3 1X

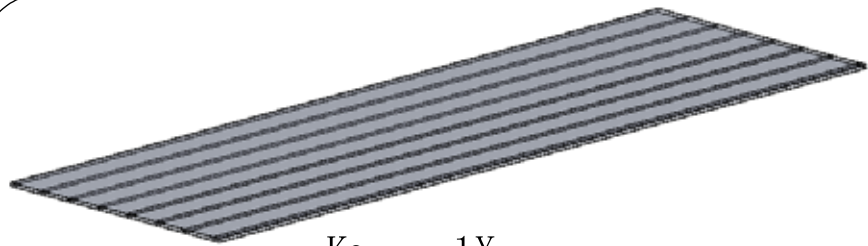
The upper end of the PC board should be installed flush with both sides.

Note: Install the PC board with the front side facing up.



Drain holes

When installing K3, the side with the drain holes face up.

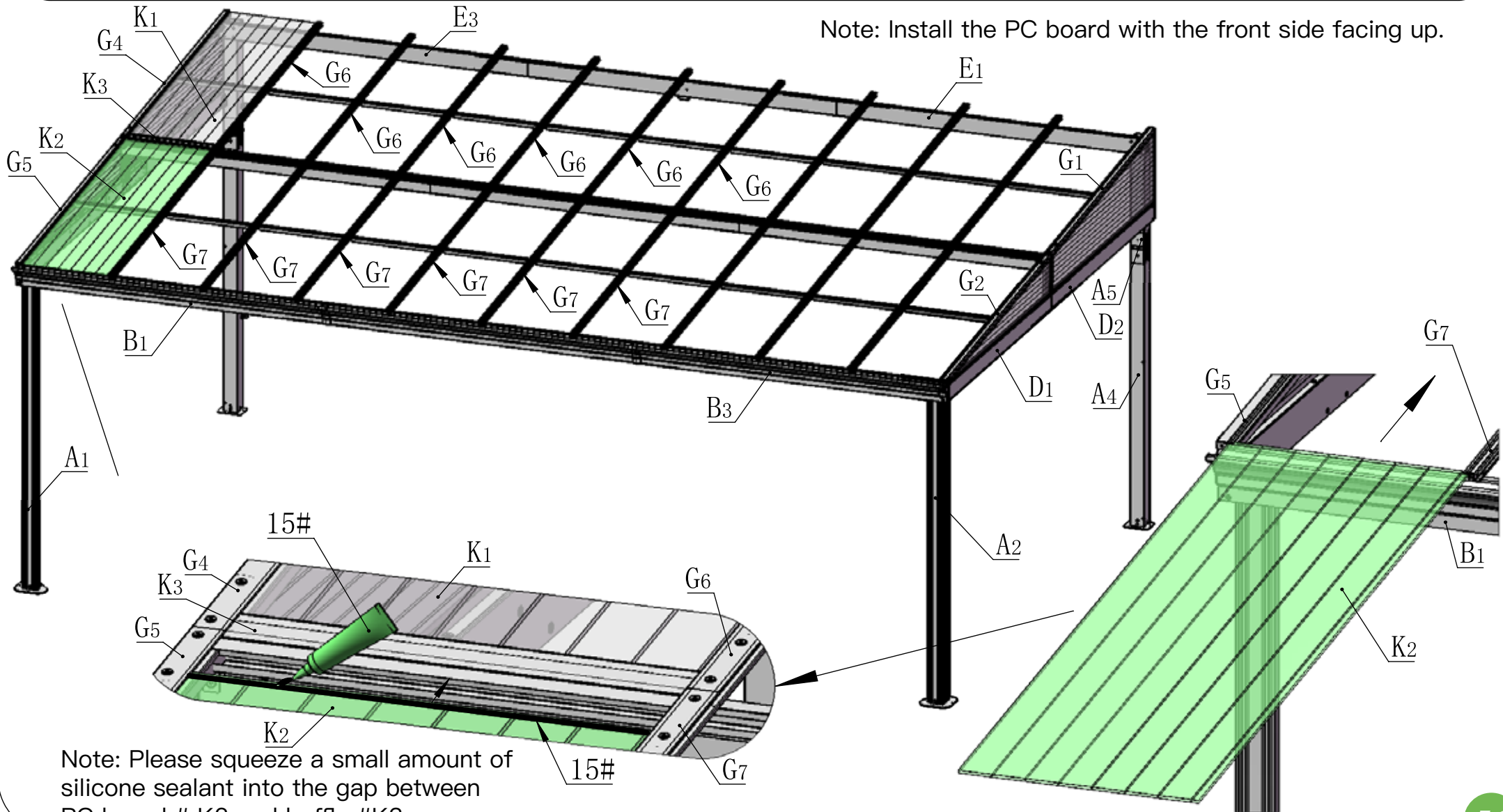


K2 1X

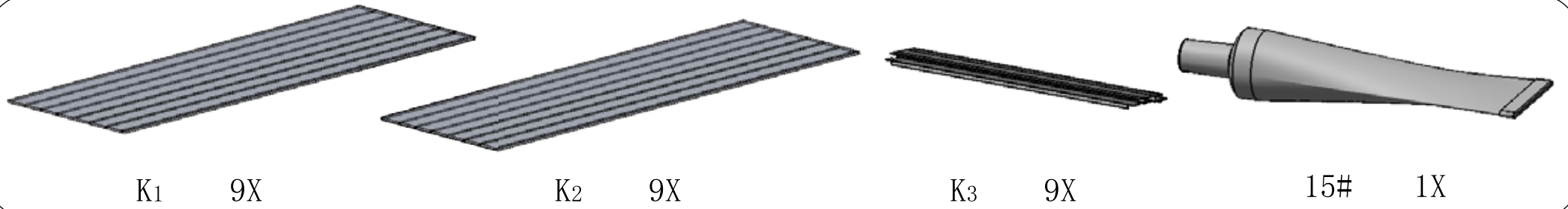


15# 1X

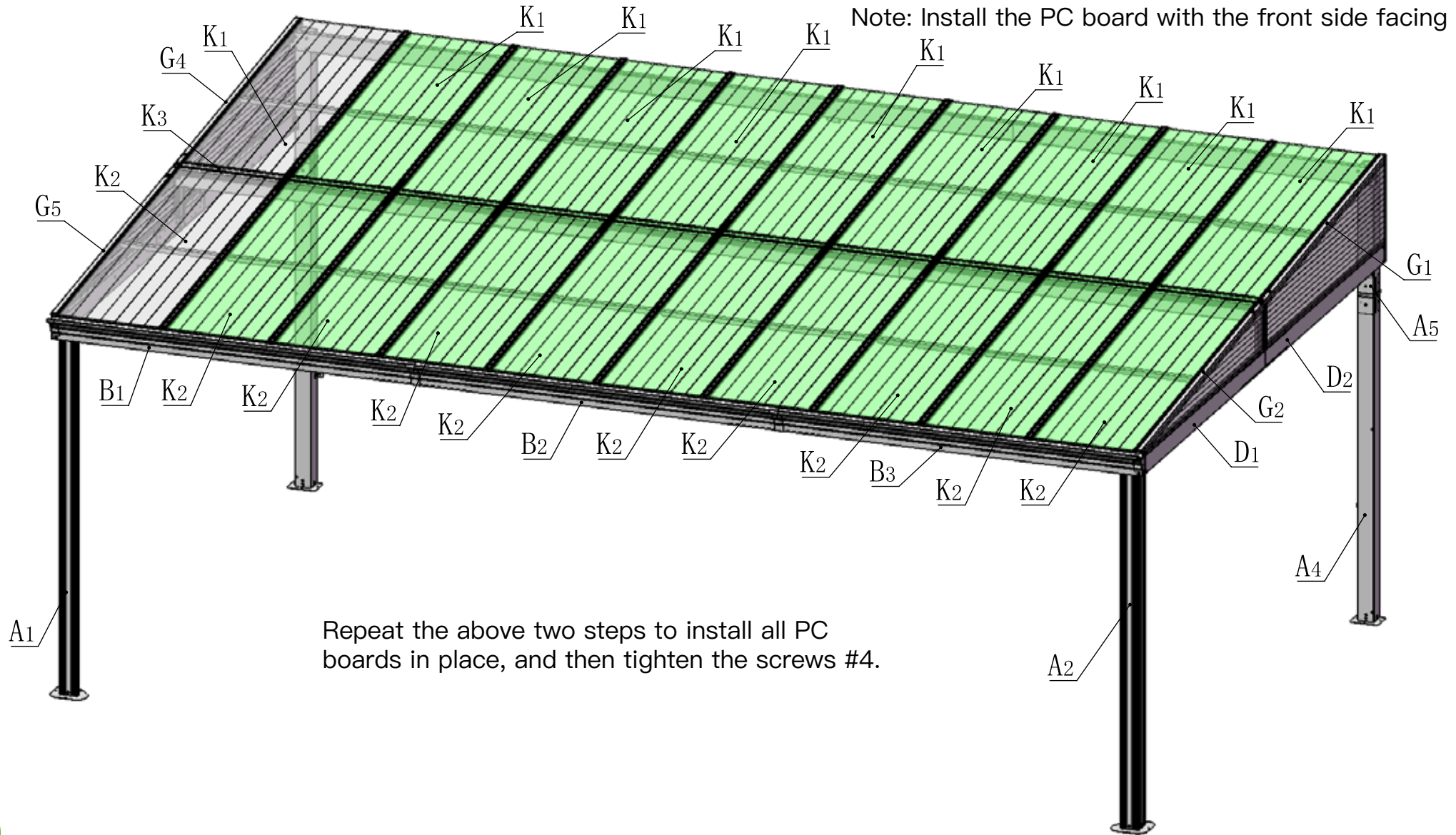
Note: Install the PC board with the front side facing up.



Note: Please squeeze a small amount of silicone sealant into the gap between PC board # K2 and baffle #K3.



Note: Install the PC board with the front side facing up.





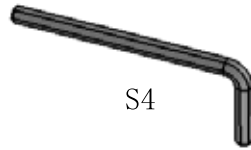
M6*16

4# 2X



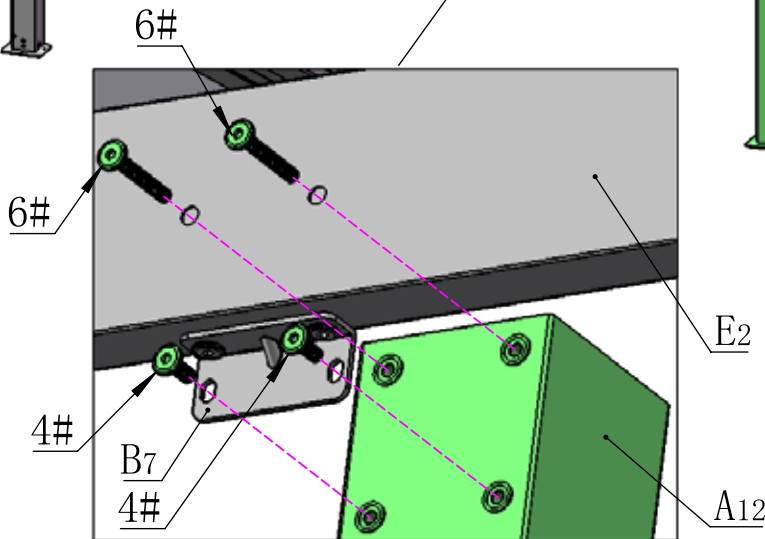
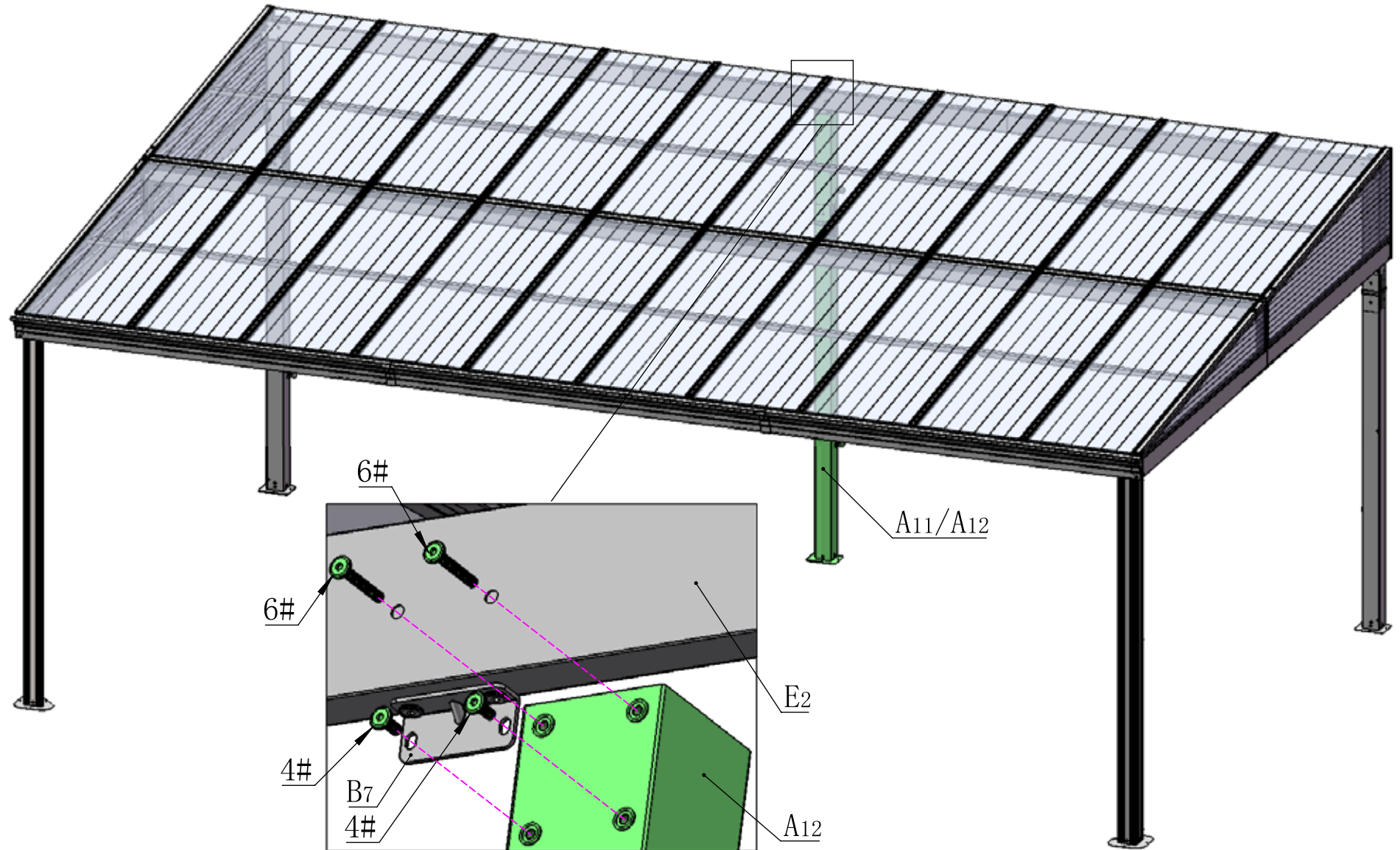
M6*40

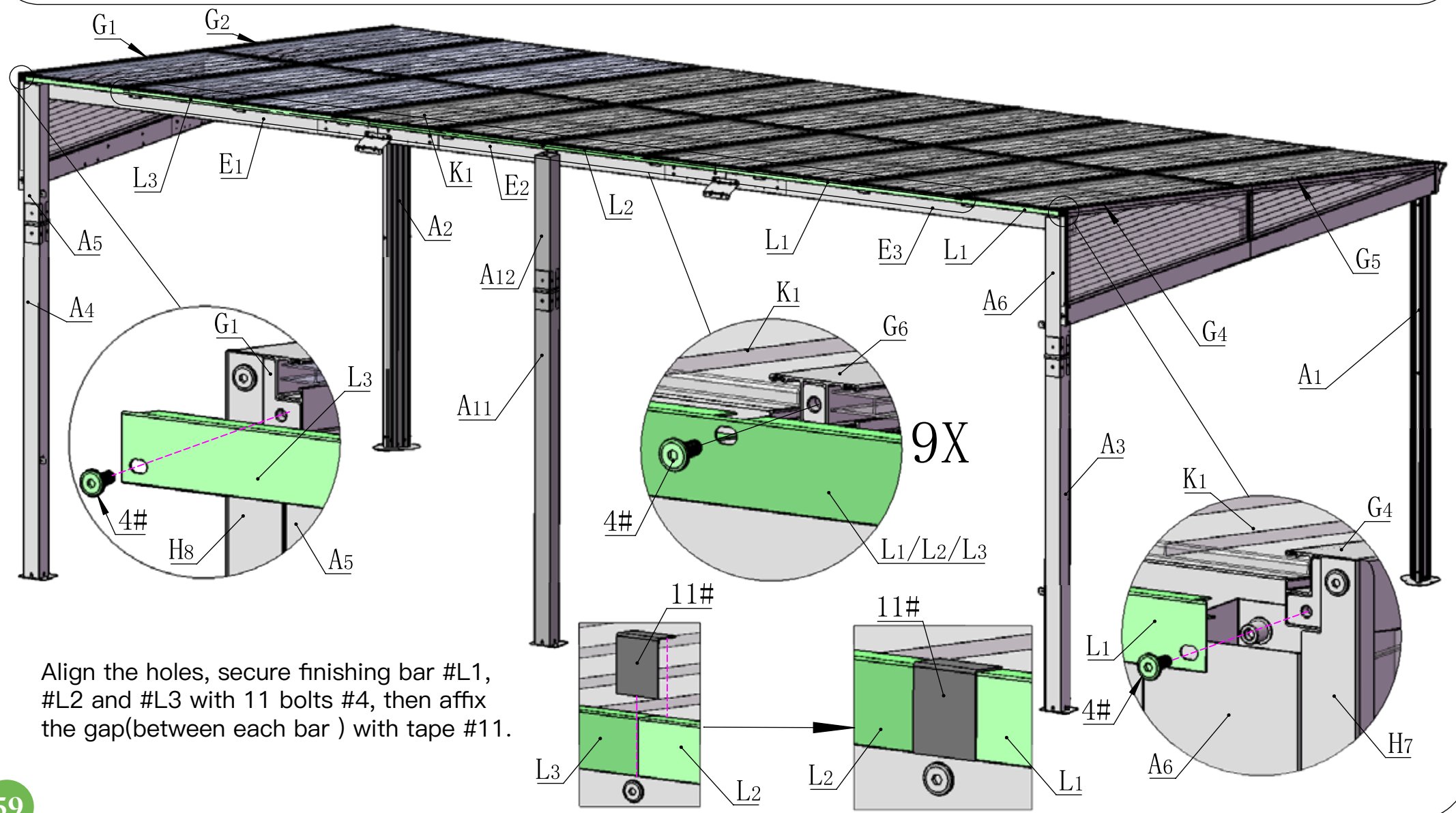
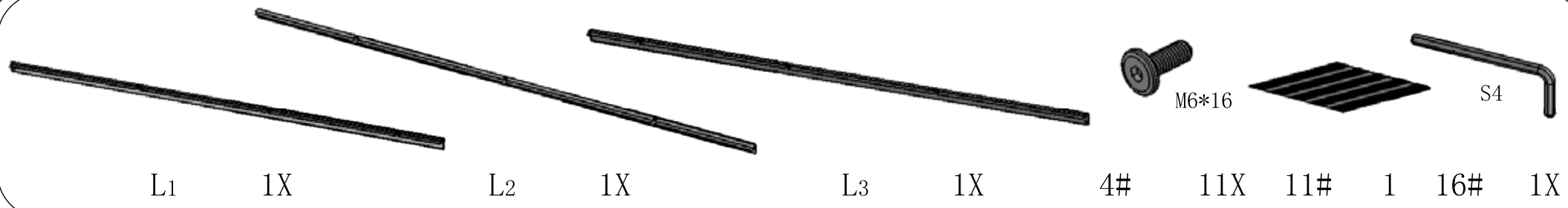
6# 2X



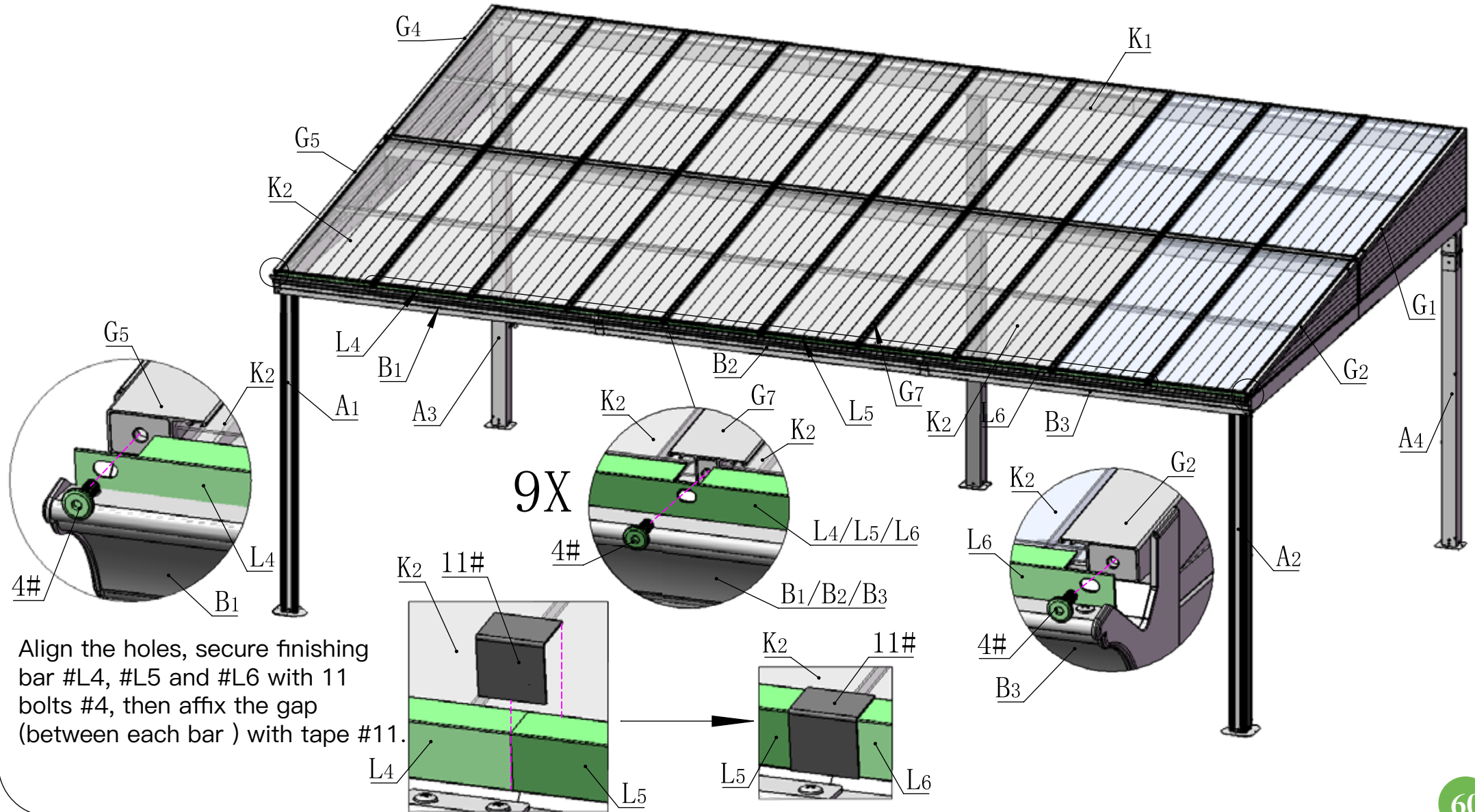
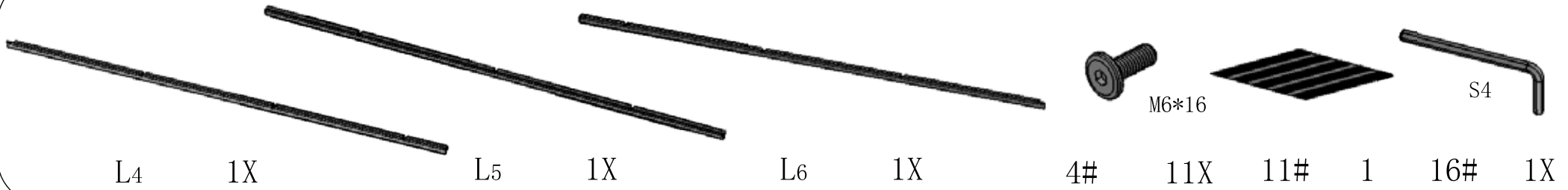
S4

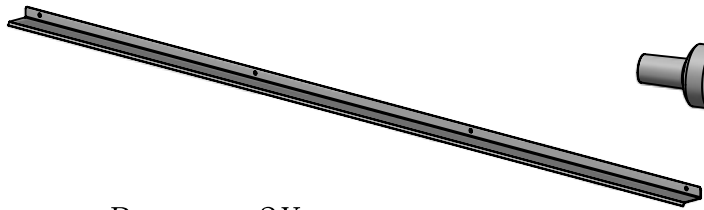
16# 1X





Align the holes, secure finishing bar #L1, #L2 and #L3 with 11 bolts #4, then affix the gap (between each bar) with tape #11.

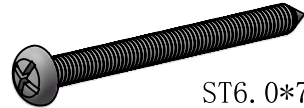




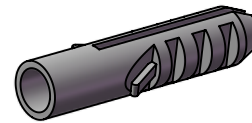
R1 3X



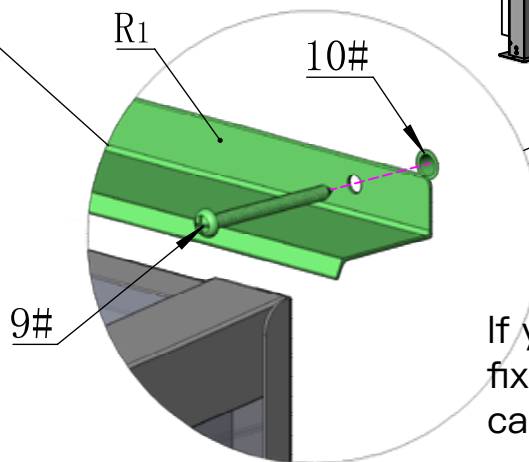
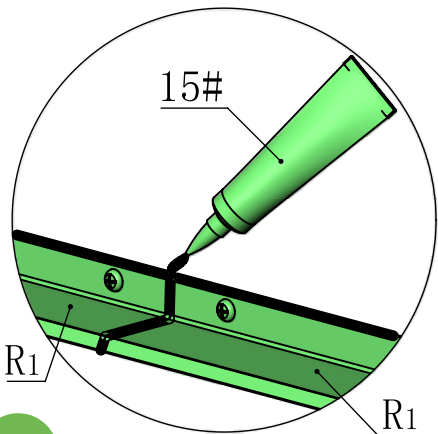
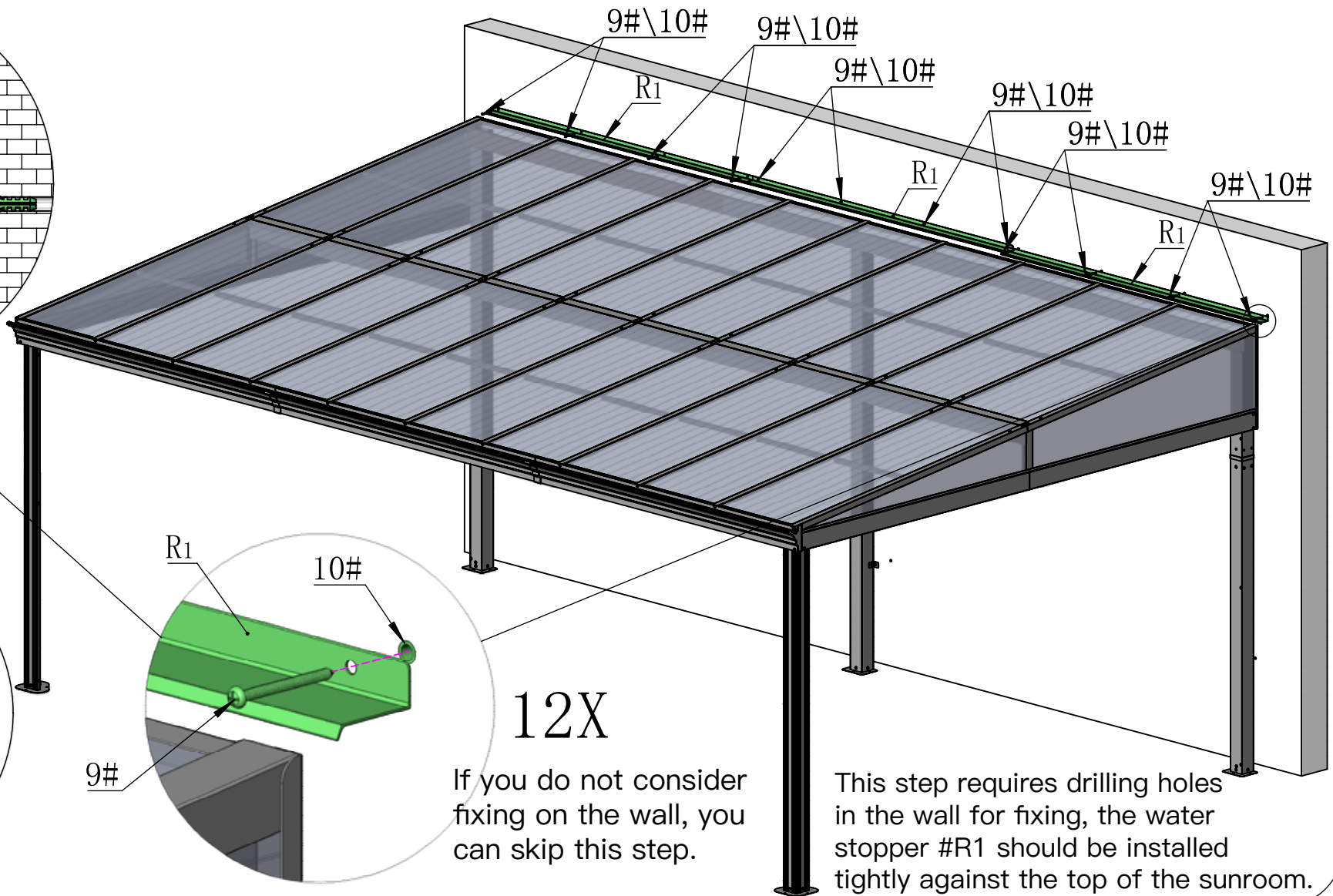
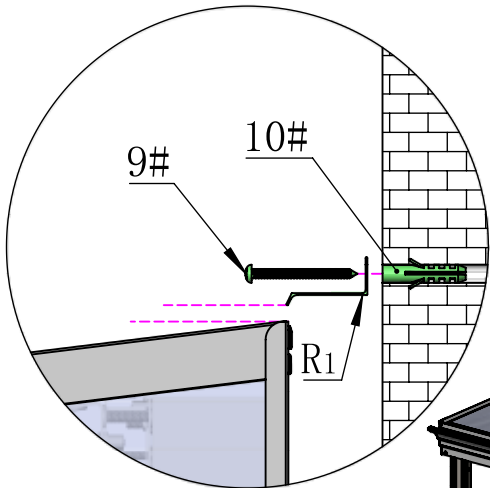
15# 1



9# 12X

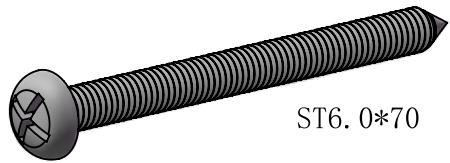


10# 12X



12X
If you do not consider fixing on the wall, you can skip this step.

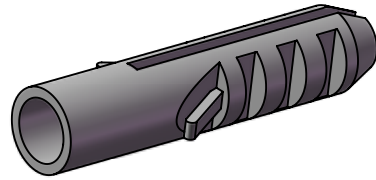
This step requires drilling holes in the wall for fixing, the water stopper #R1 should be installed tightly against the top of the sunroom.



ST6.0*70

9#

10X

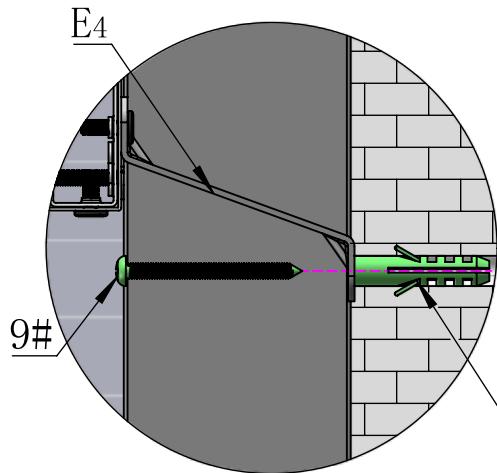


10#

10X

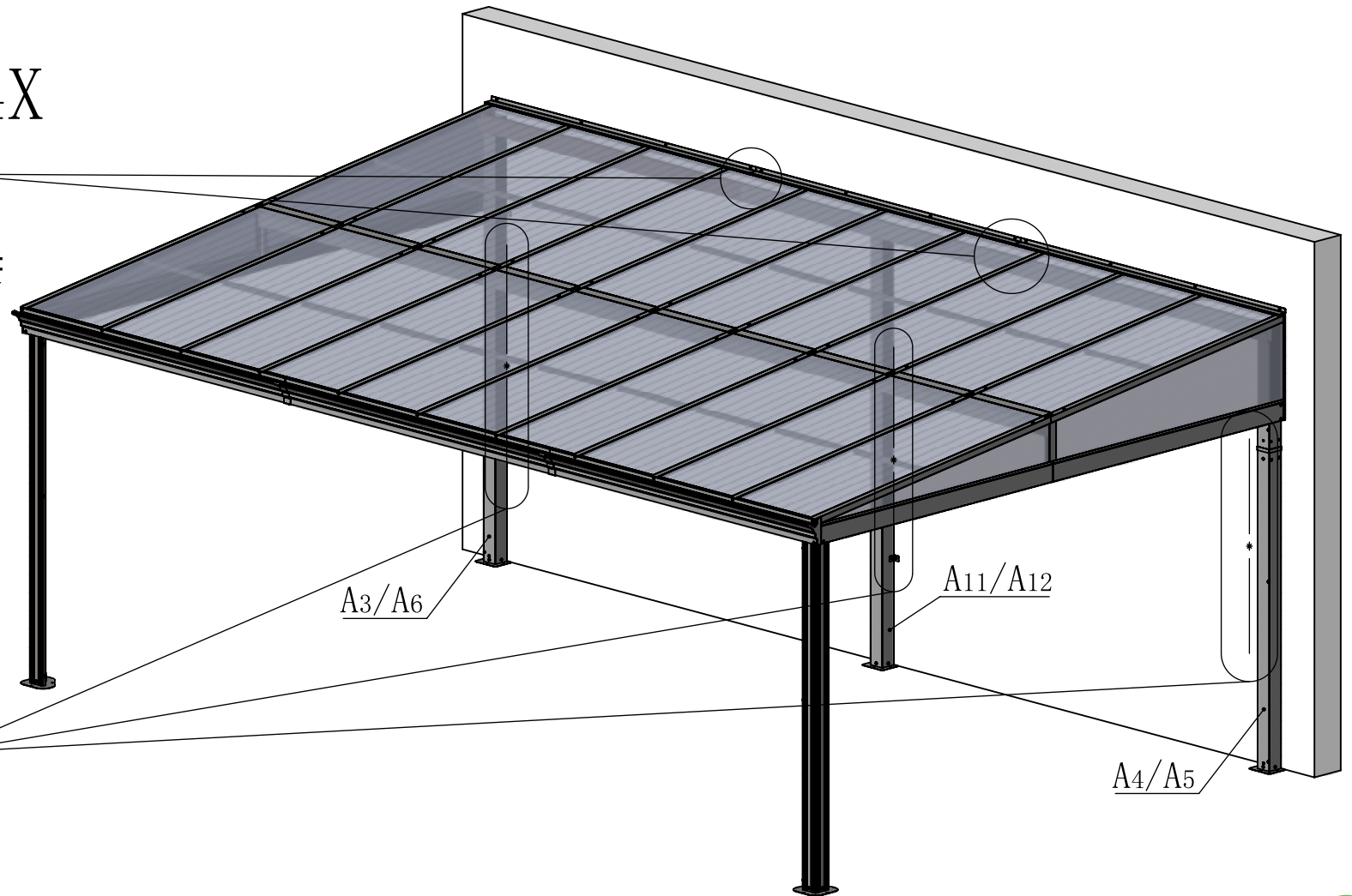
If you do not consider fixing on the wall, you can skip this step.

This step requires drilling holes in the wall for fixing.



4X

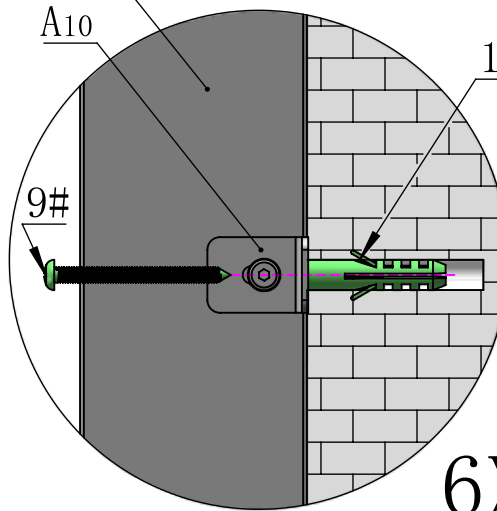
10#



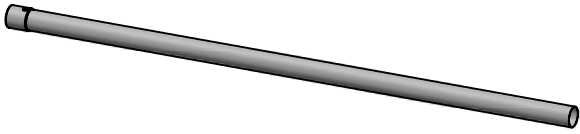
A3/A4/A5/A6/A11/A12

A10

10#

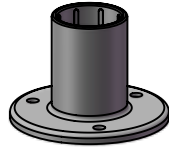


6X



M1

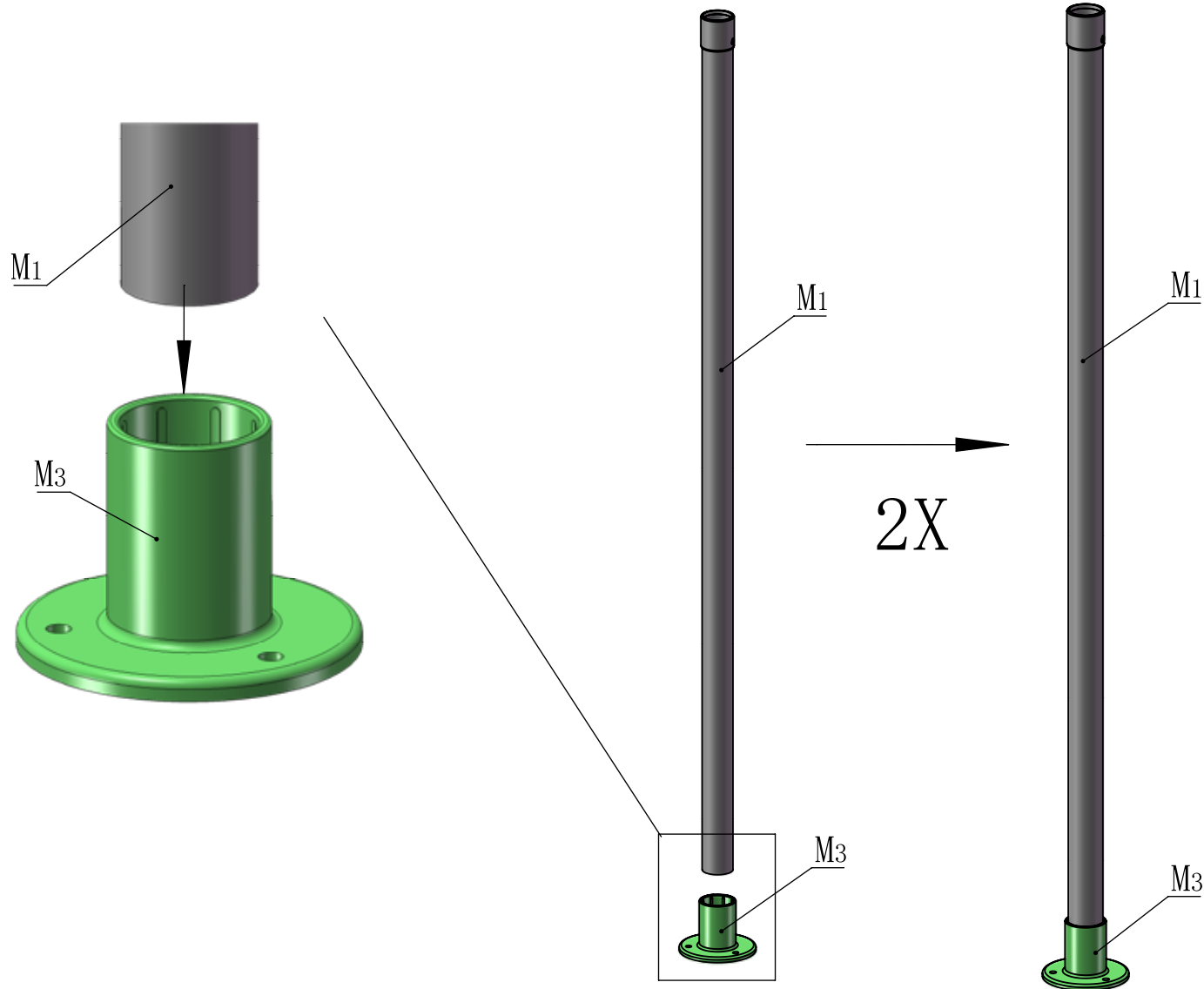
2X



M3

2X

Assemble the supporting tubes.





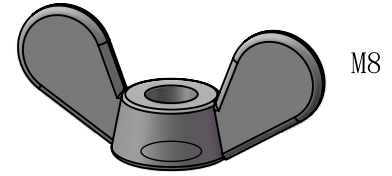
M2 2X



12# 2X

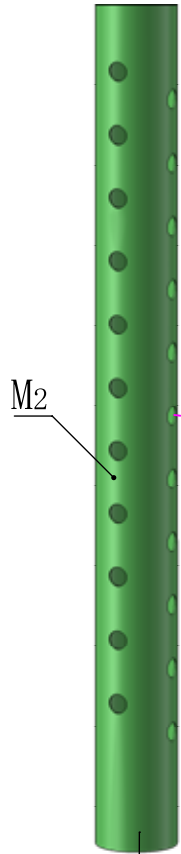


13# 2X



14# 2X

Adjust the length of the support tubes according to the slope.



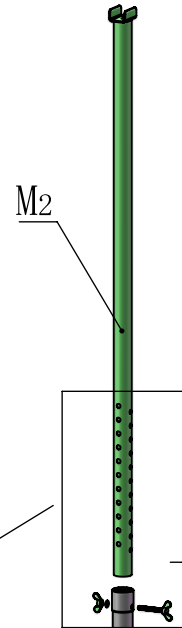
M2

14#

13#

M1

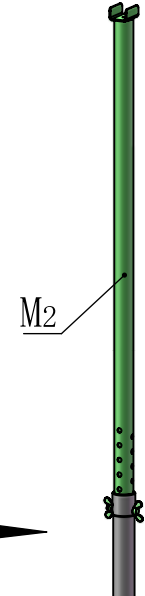
12#



M2

M1

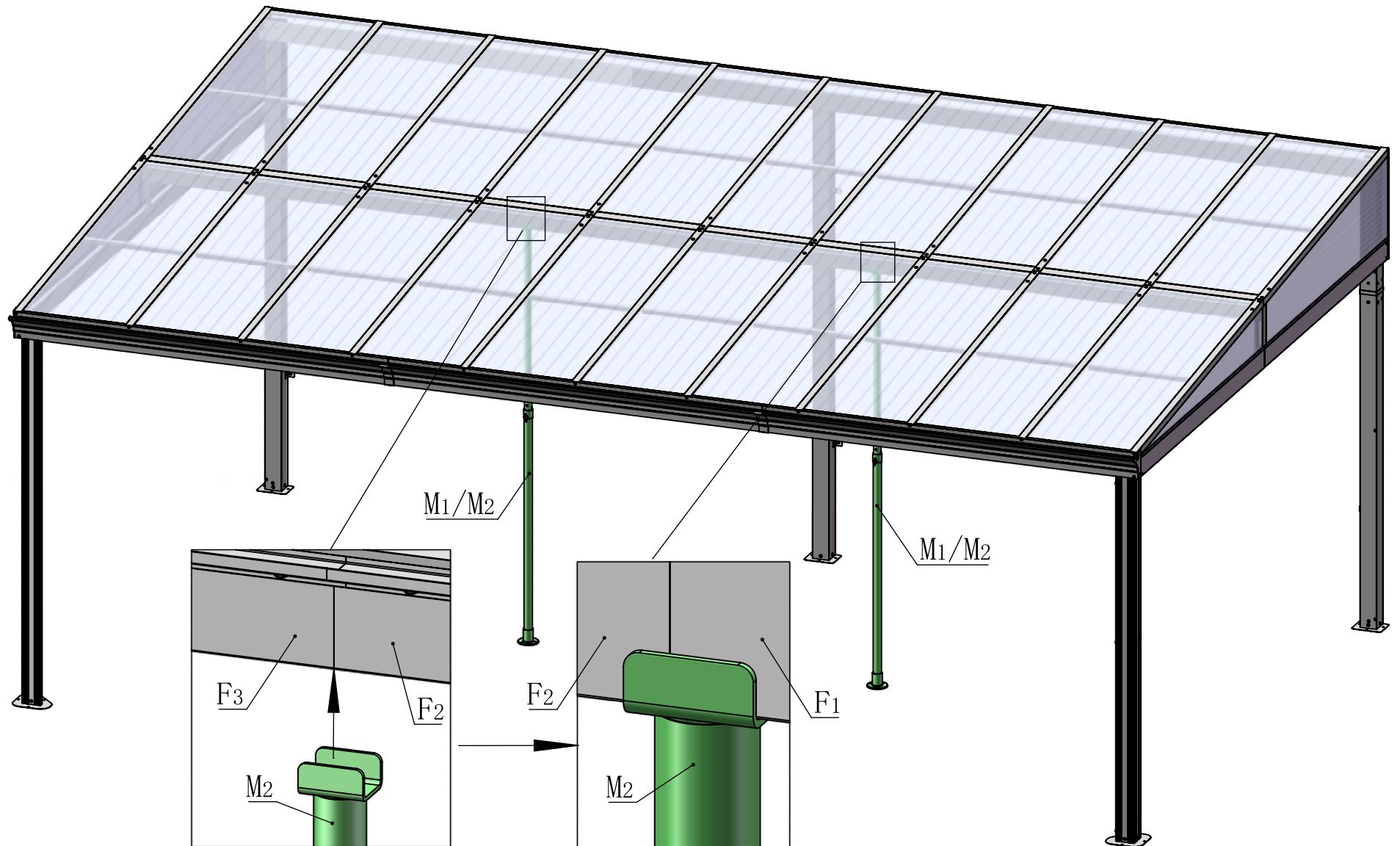
2X

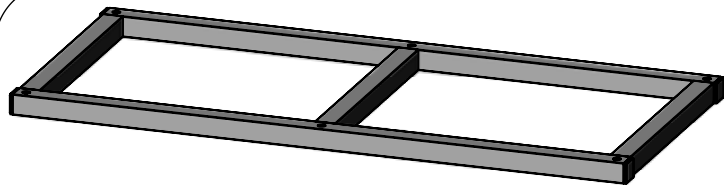


M2

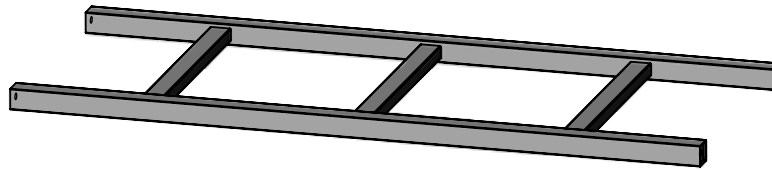
M1

The support tubes can strengthen the weight capacity of the roof in bad weather, especially snowstorms, and they are essentially needed to prevent the roof from collapsing under heavy snow. In daily life, you can put them away.





N1 8X

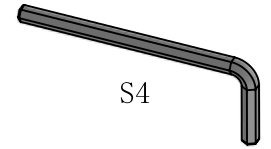


N2 4X



M6*30

3# 16X

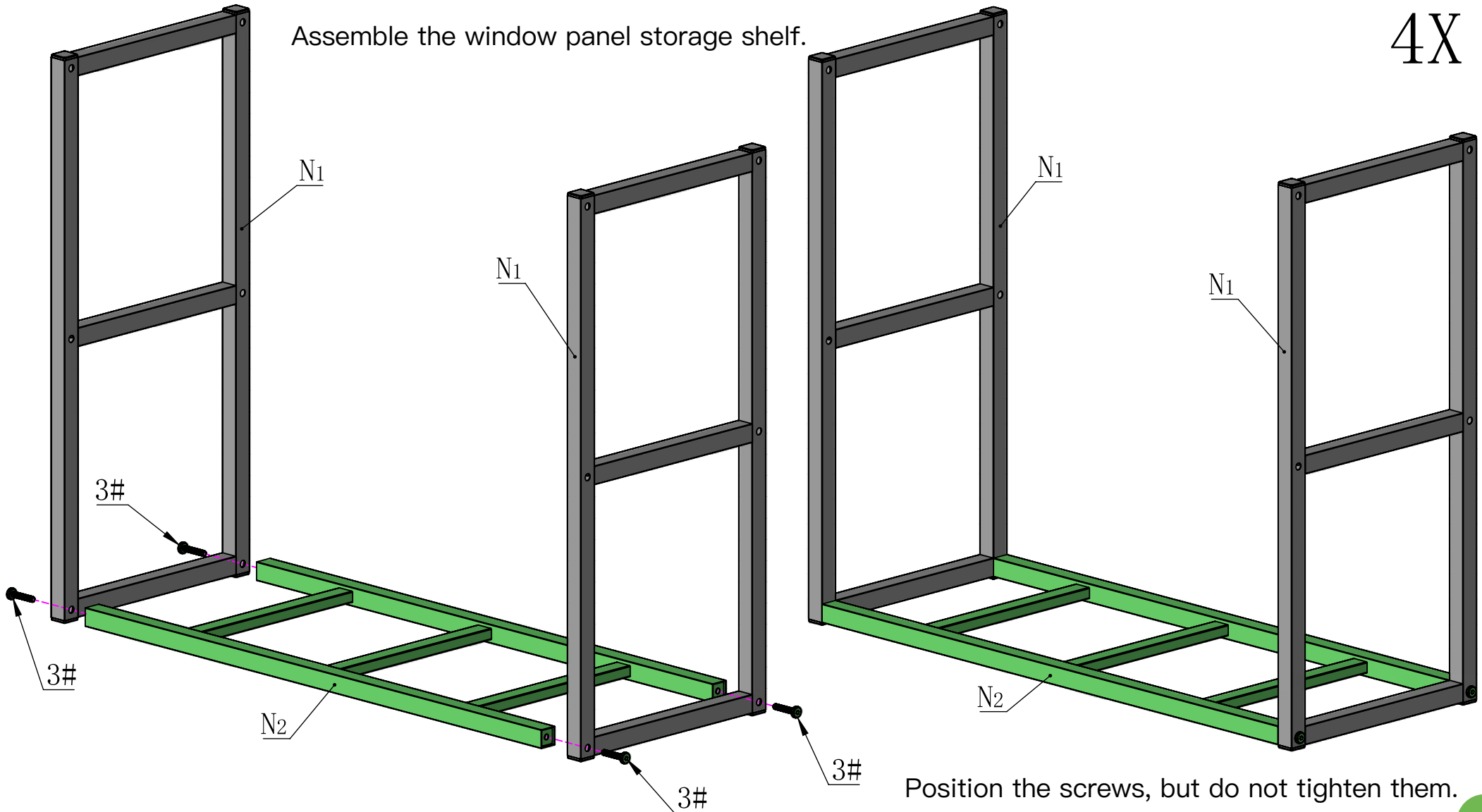


S4

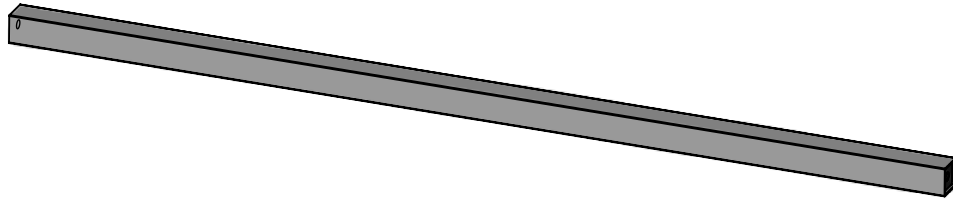
16# 1X

Assemble the window panel storage shelf.

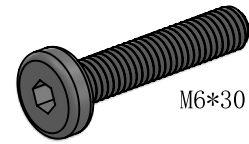
4X



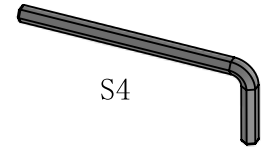
Position the screws, but do not tighten them.



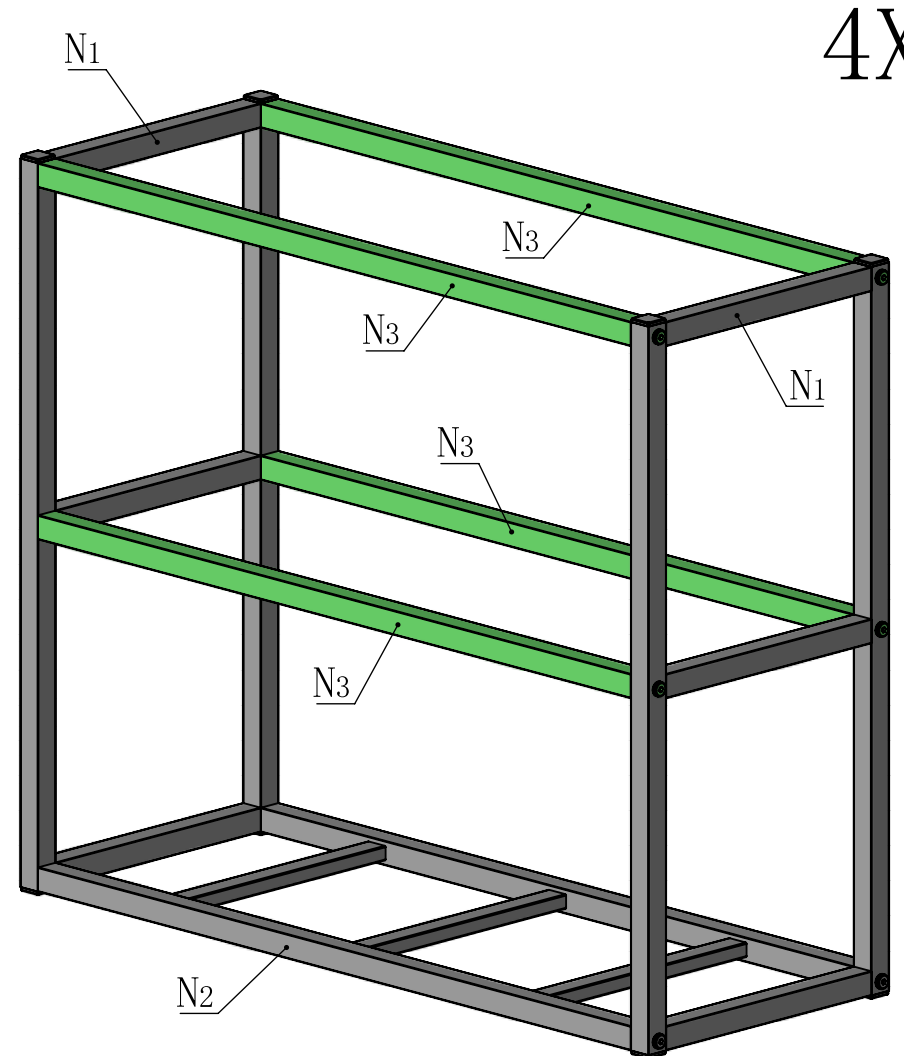
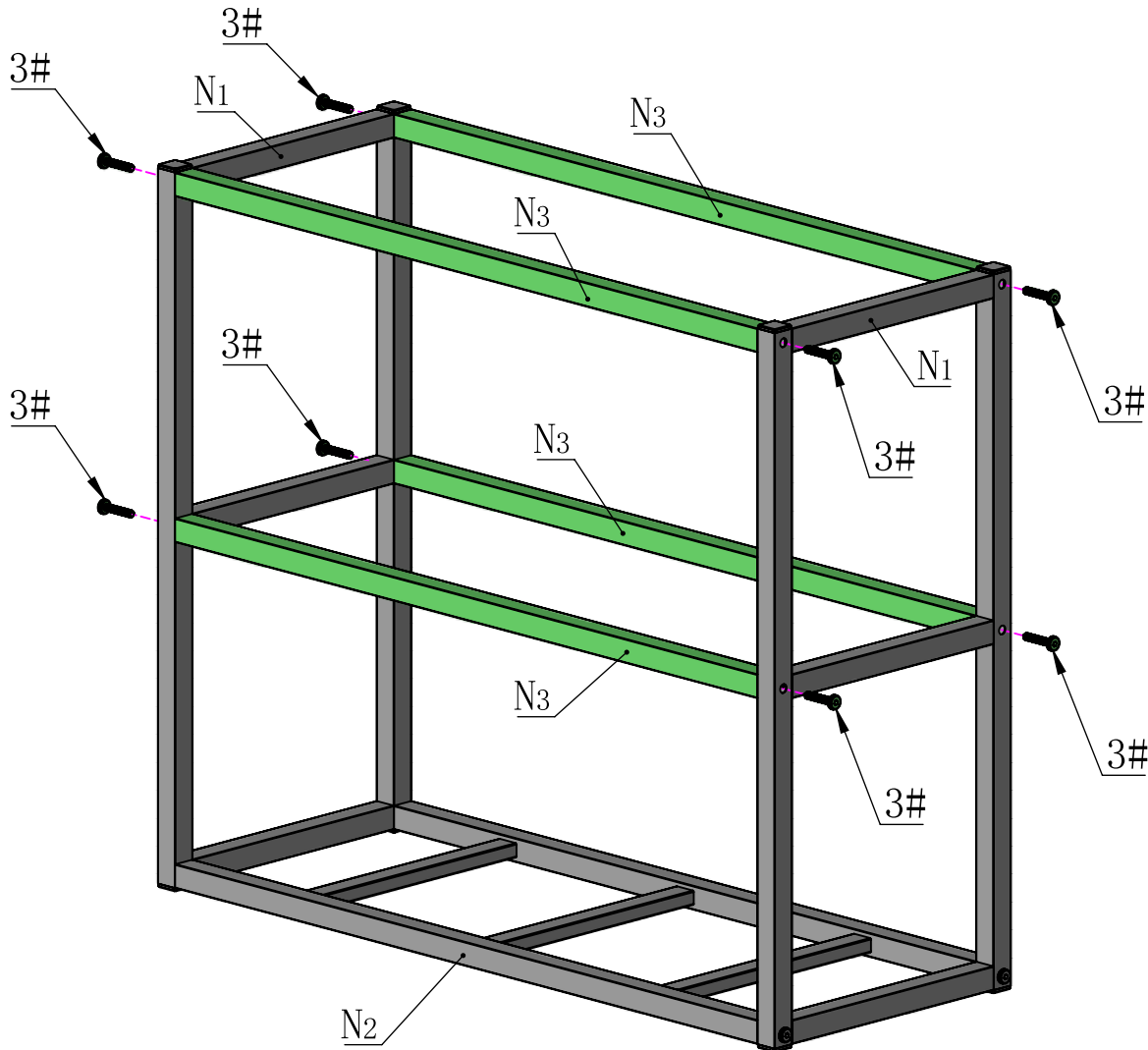
N3 16X



3# 32X



16# 1X

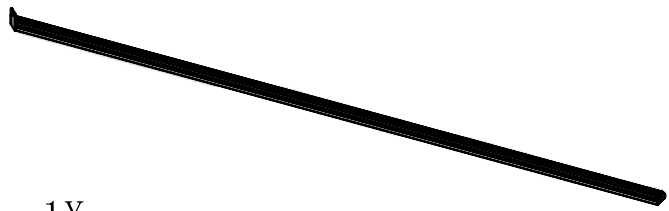


4X

Tighten all screws after they are positioned.

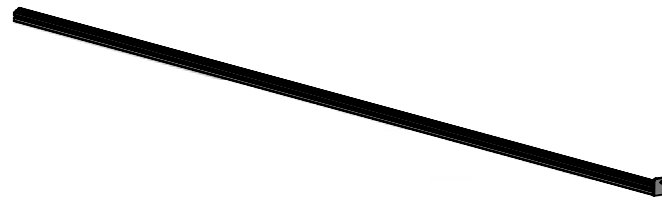
01

1X



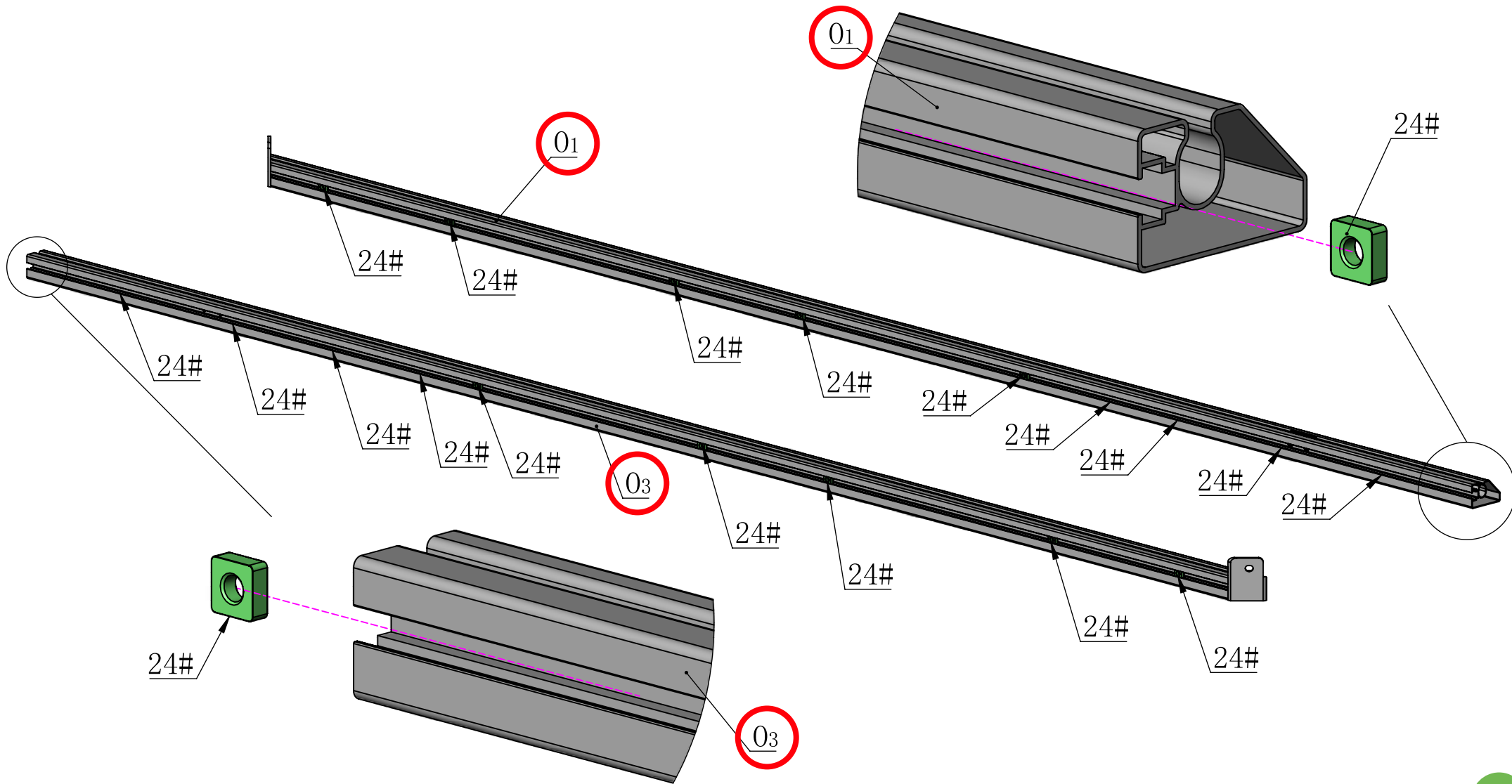
03

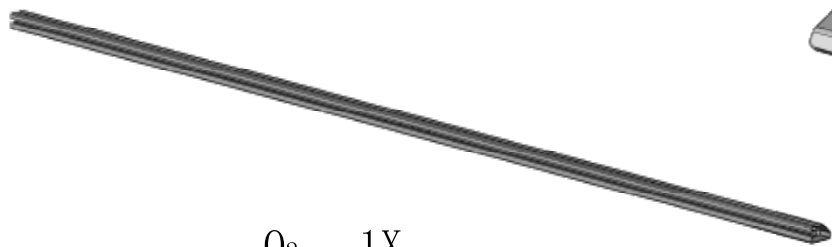
1X



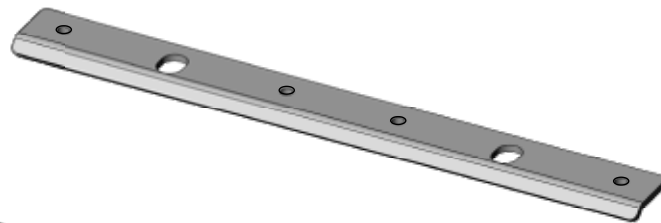
24#

18X





02 1X



08 2X



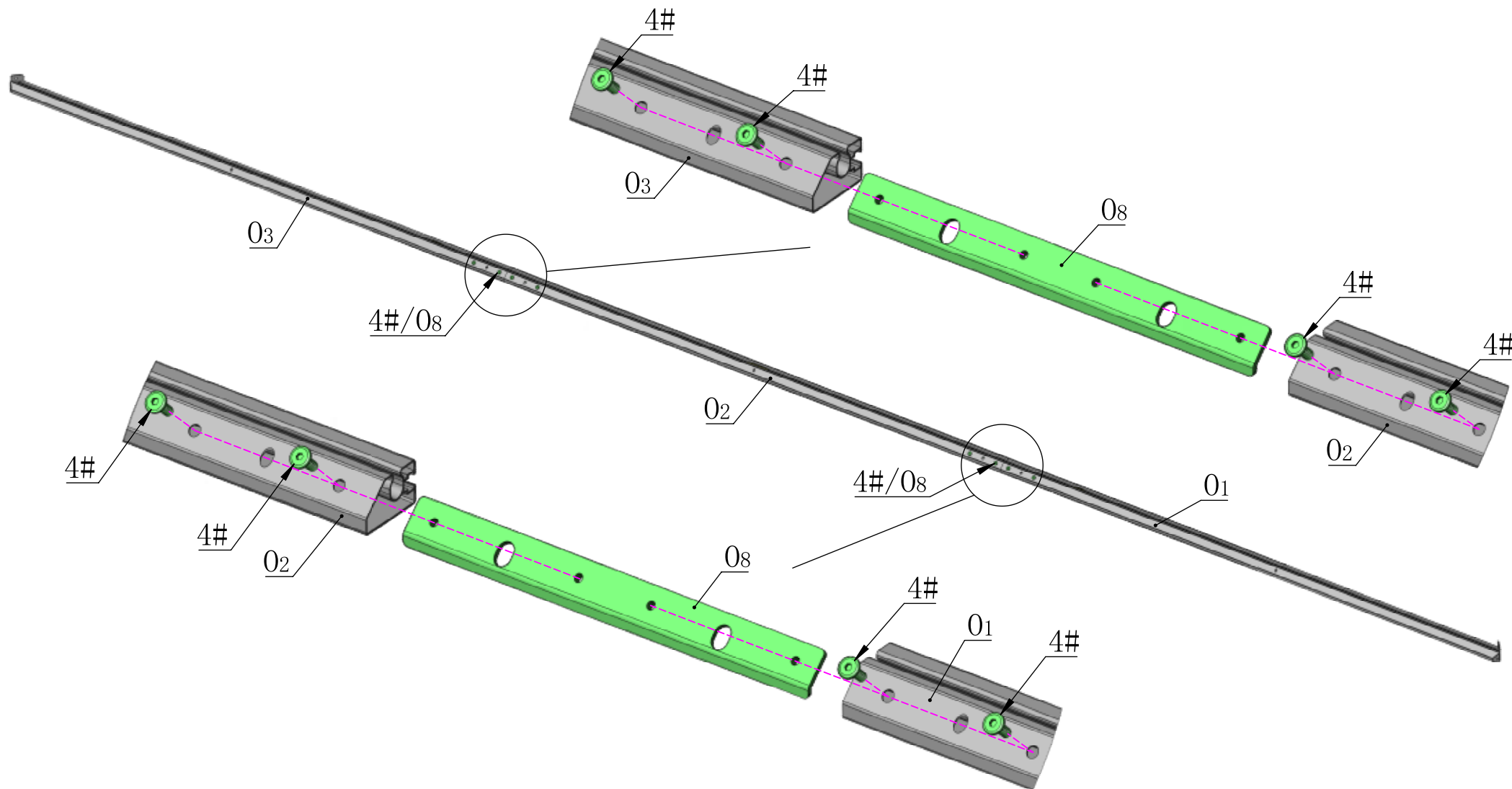
M6*16

4# 8X



S4

16# 1X





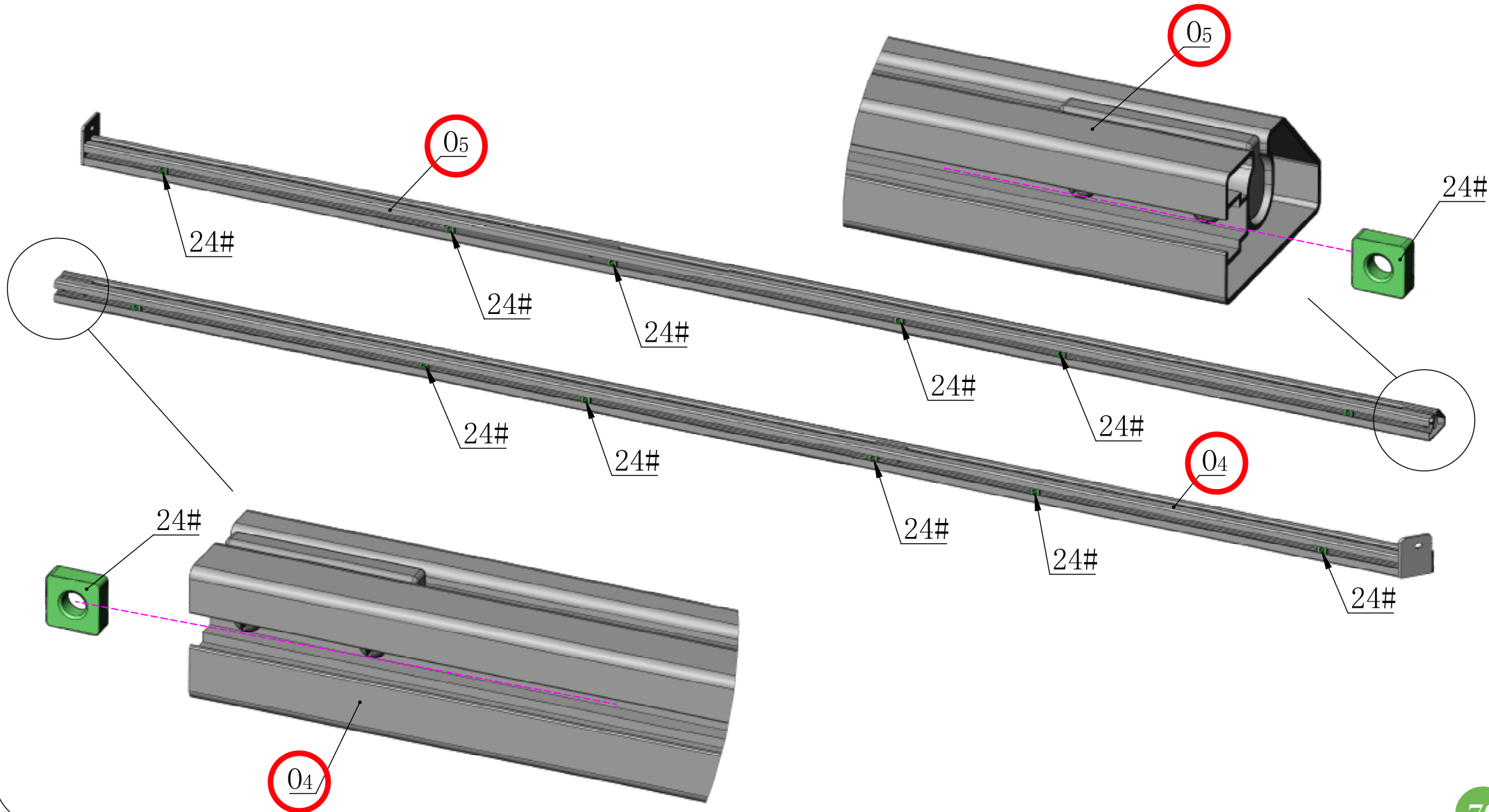
04 1X

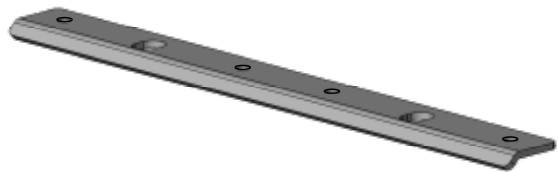


05 1X



24# 10X



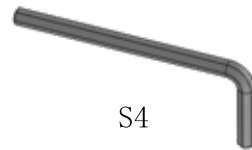


08 1X



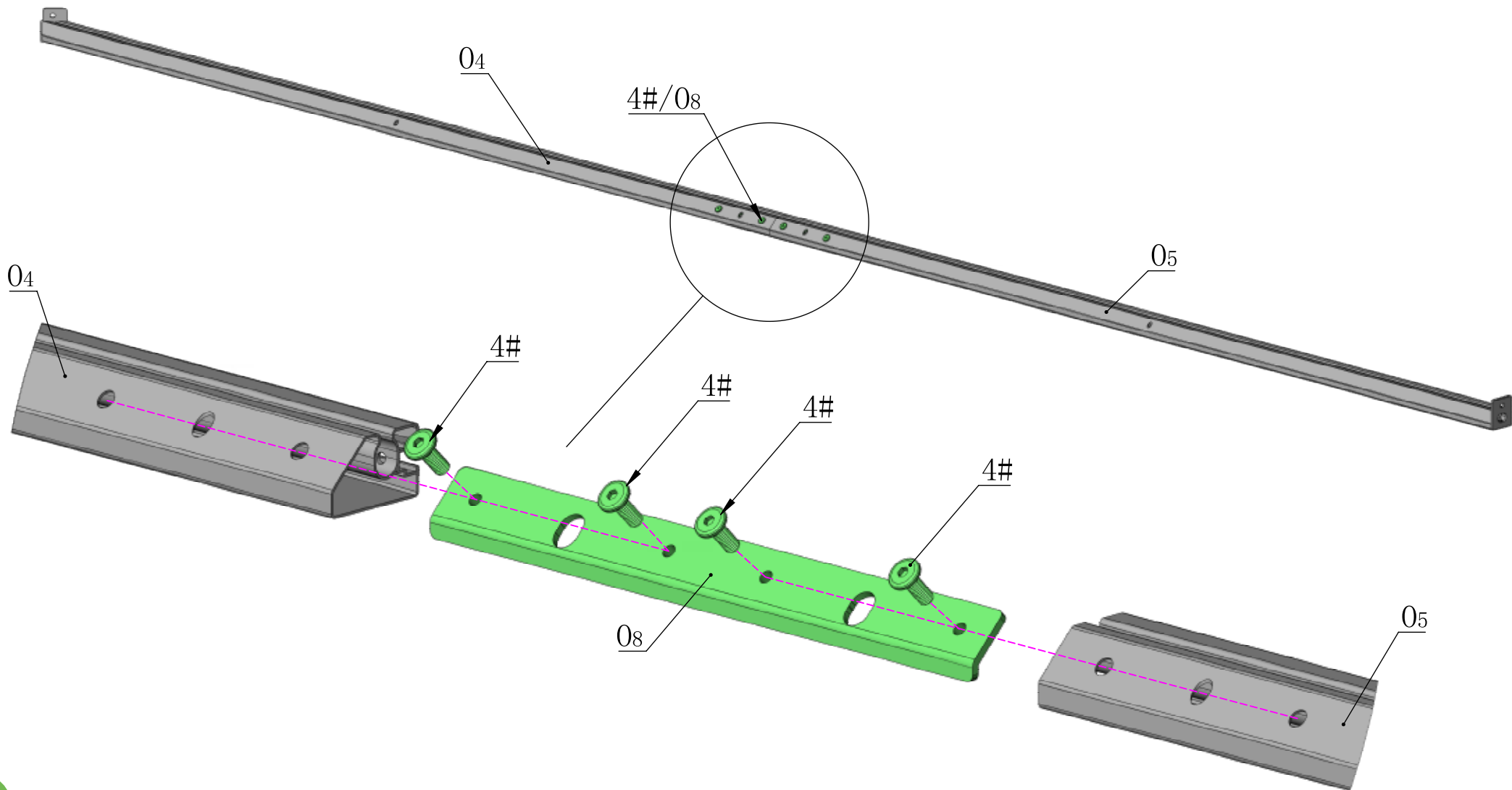
M6*16

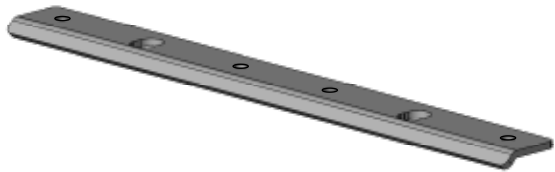
4# 4X



S4

16# 1X



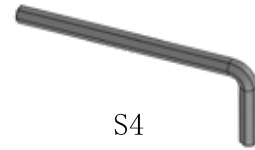


08 1X



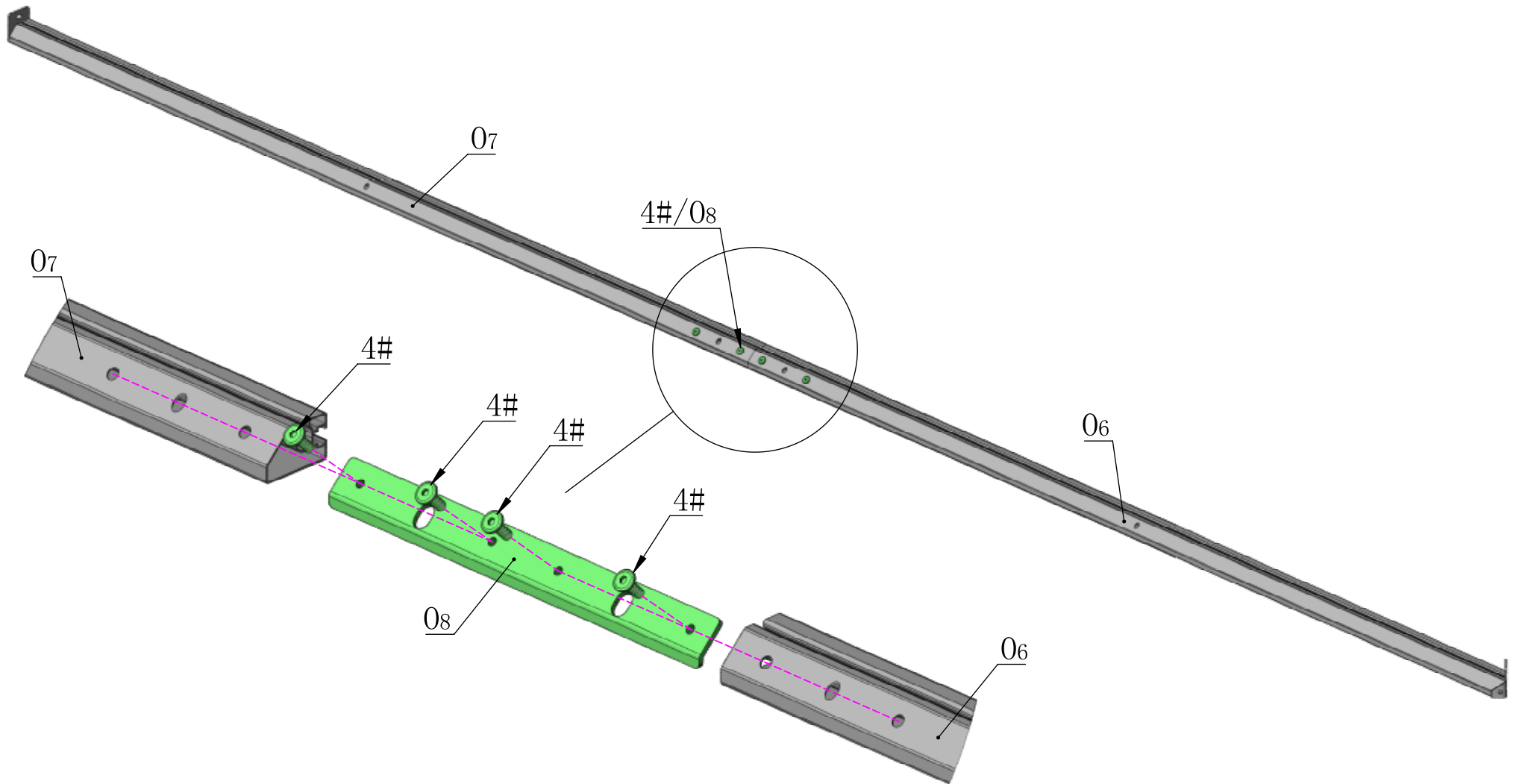
M6*16

4# 4X



S4

16# 1X





M6*16

4#

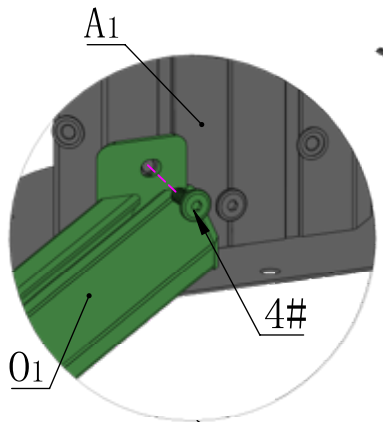
2X



S4

16#

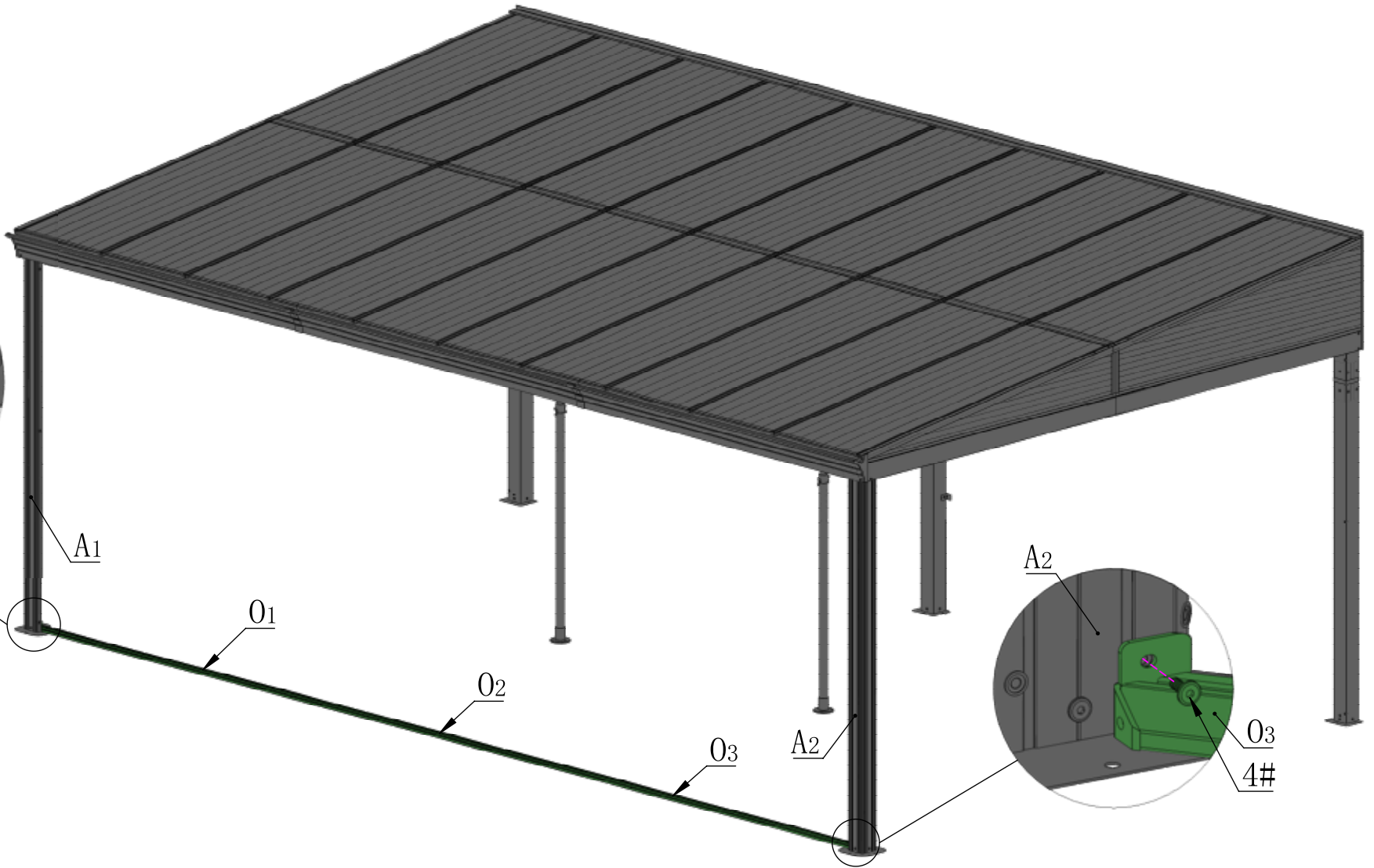
1X



A1

O1

4#



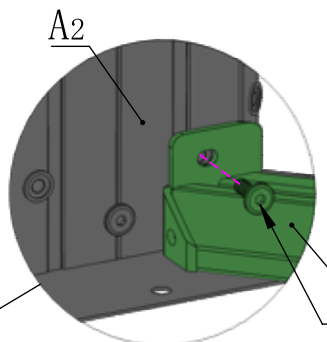
A1

O1

O2

O3

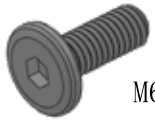
A2



A2

O3

4#



M6*16

4#

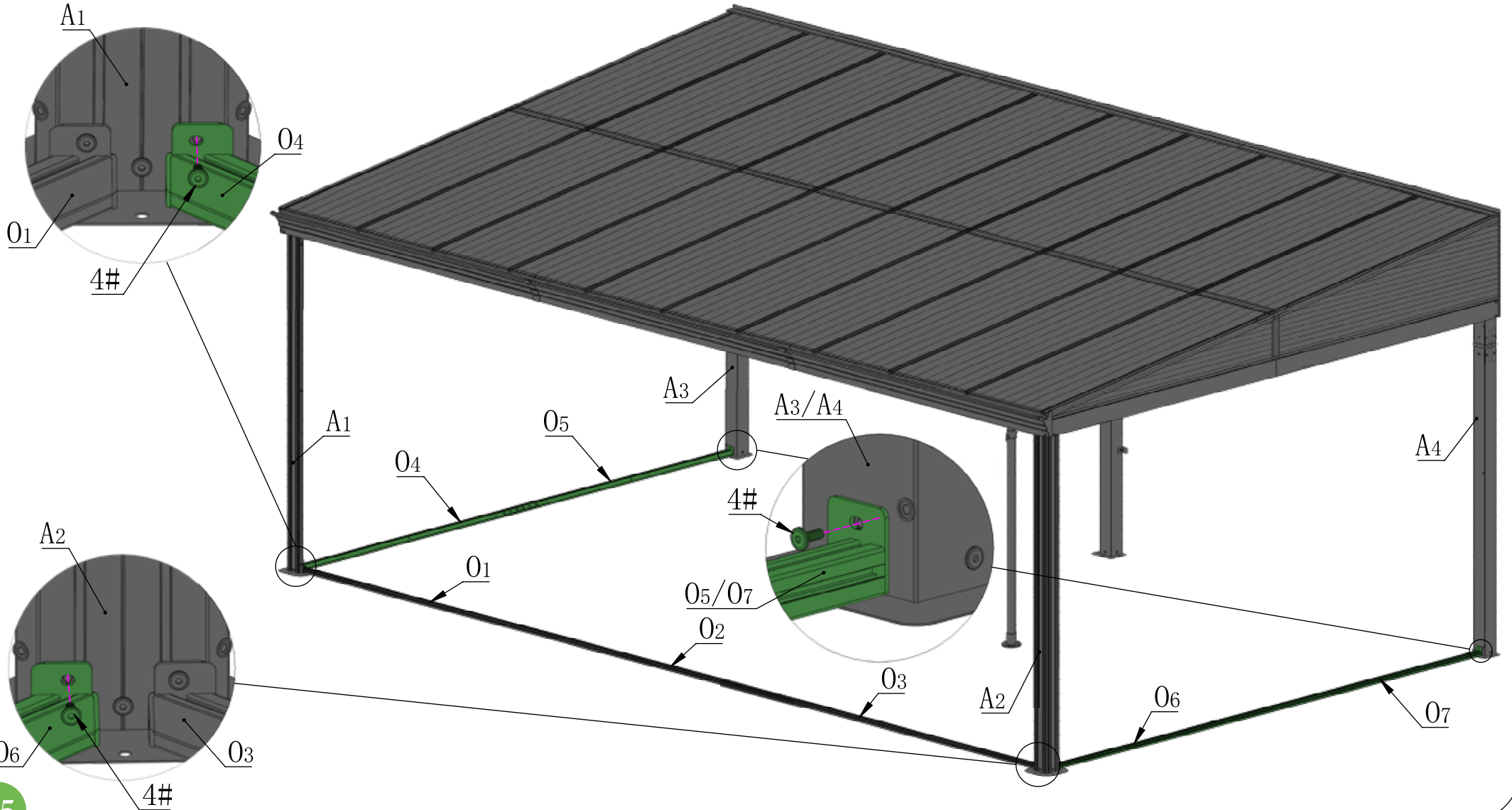
4X



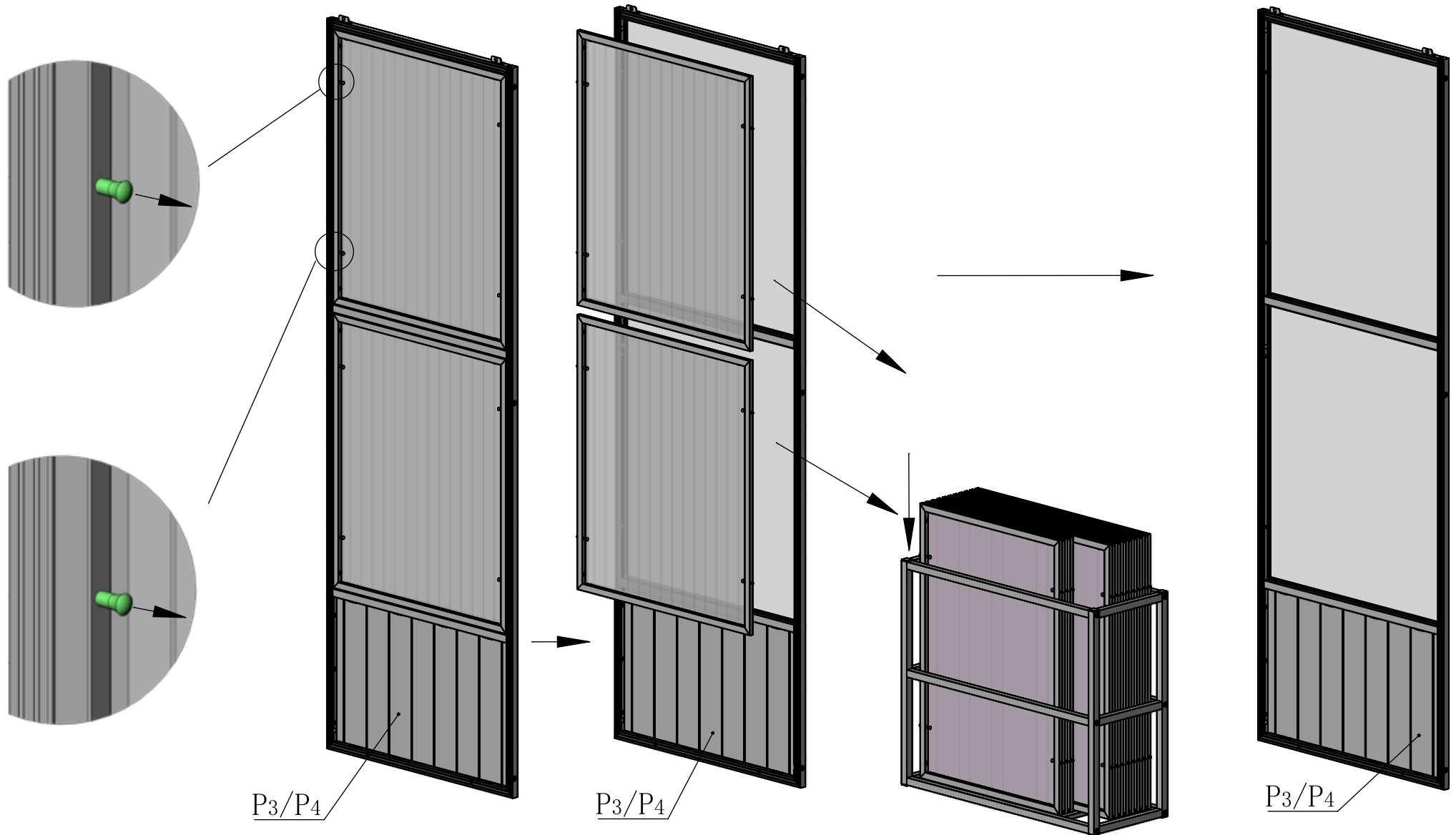
S4

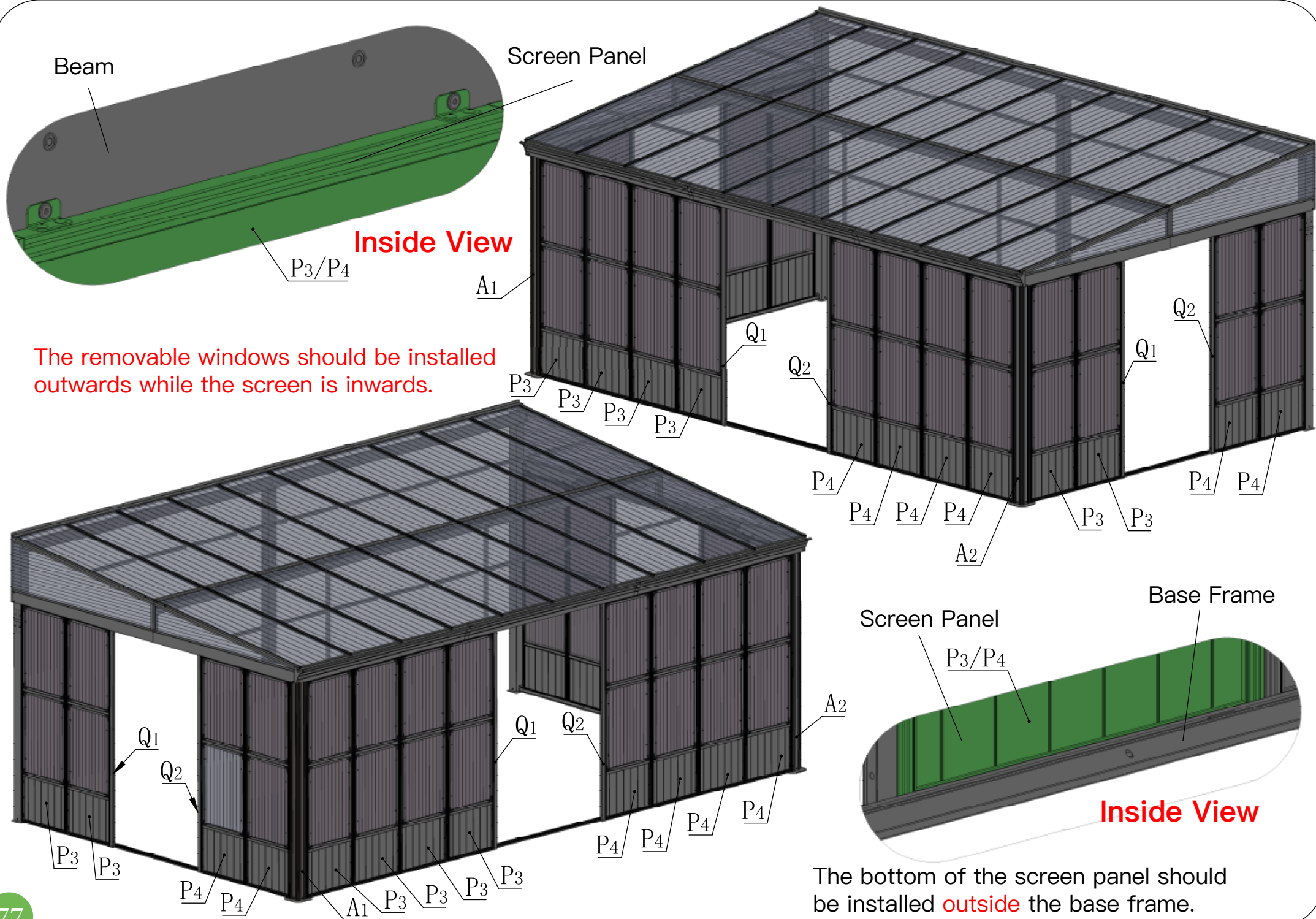
16#

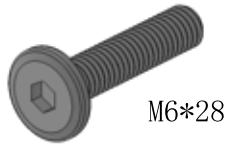
1X



Please remove the window screens **BEFORE** assembling the wall panel.







M6*28

5#

2X

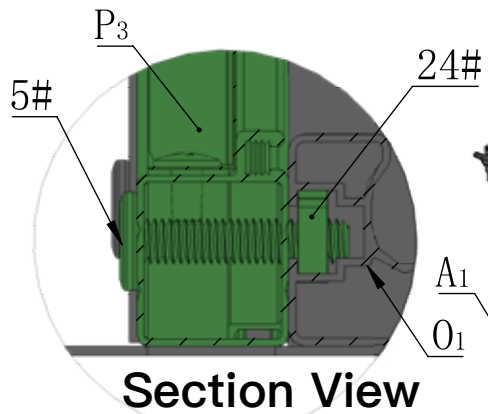


S4

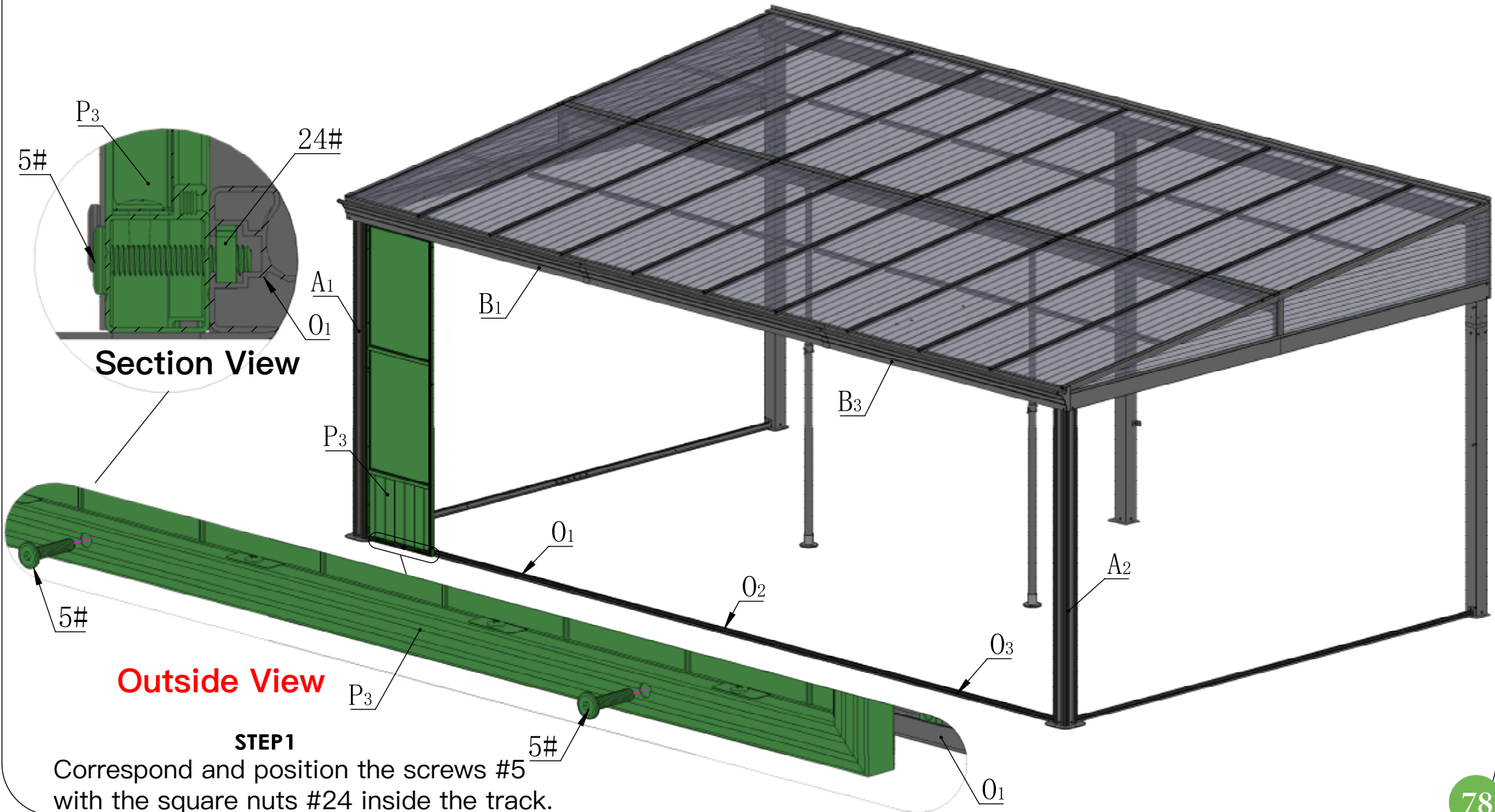
16#

1X

Note: Assemble according to the sequence of steps.
Tighten each screen after all screws are positioned.
(Align the holes, tighten screw #5 to metal square nuts #24 first).



Section View



Outside View

STEP 1

Correspond and position the screws #5 with the square nuts #24 inside the track.



M6*30

19# 3X

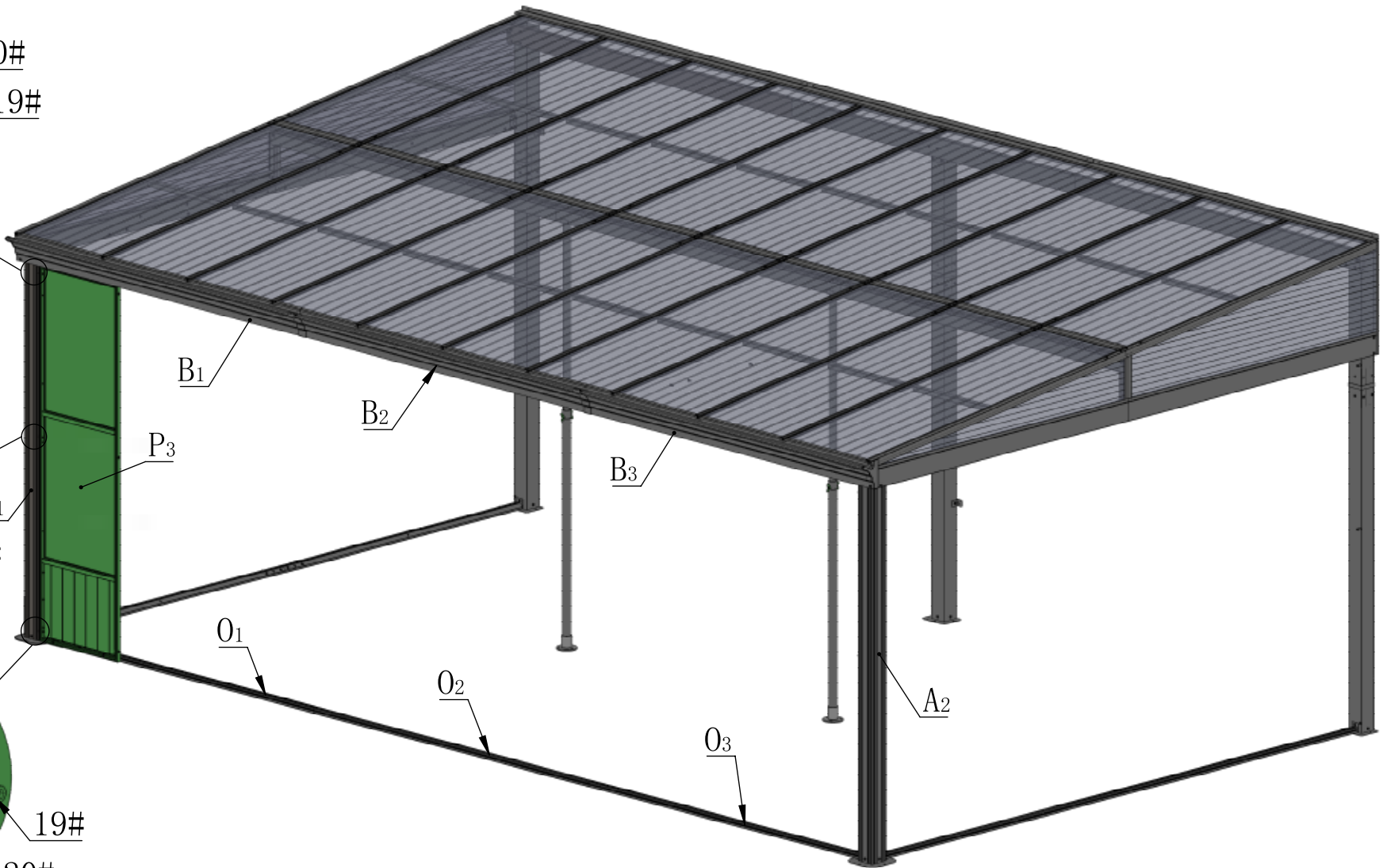
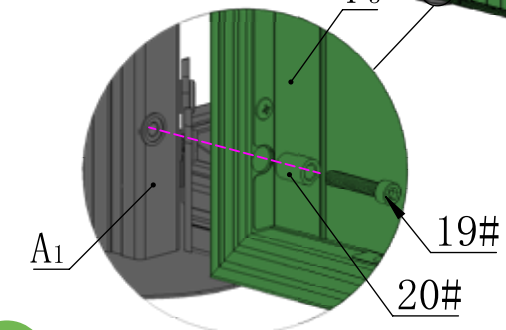
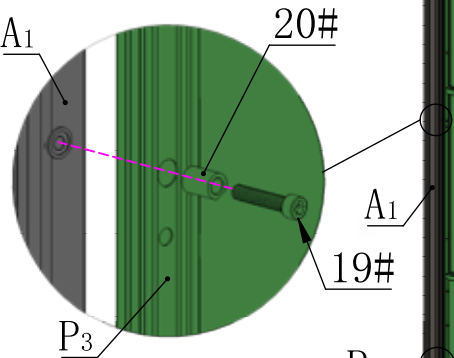
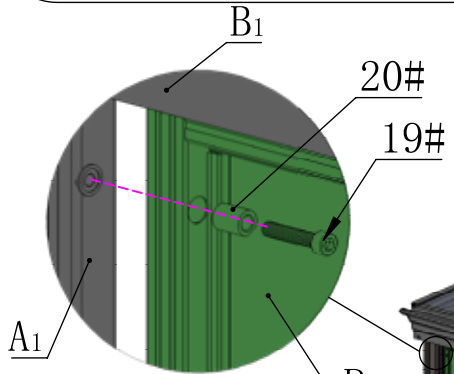


20# 3X



S5

25# 1X



STEP2

Note: Use parts # 19 and #20 to secure the wall panel (#P3) to the post (#A1).



M6*16

4#

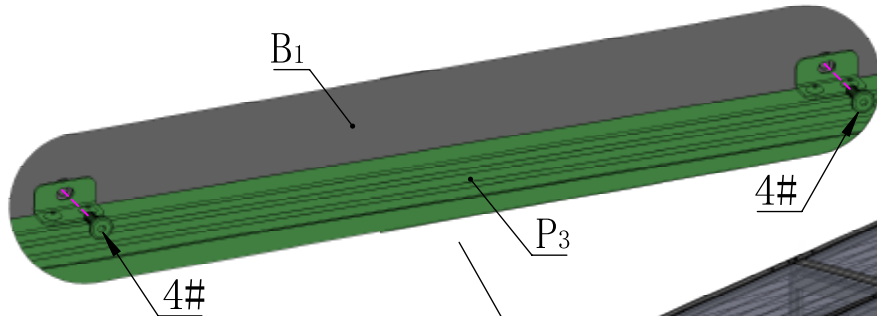
2X



S4

16#

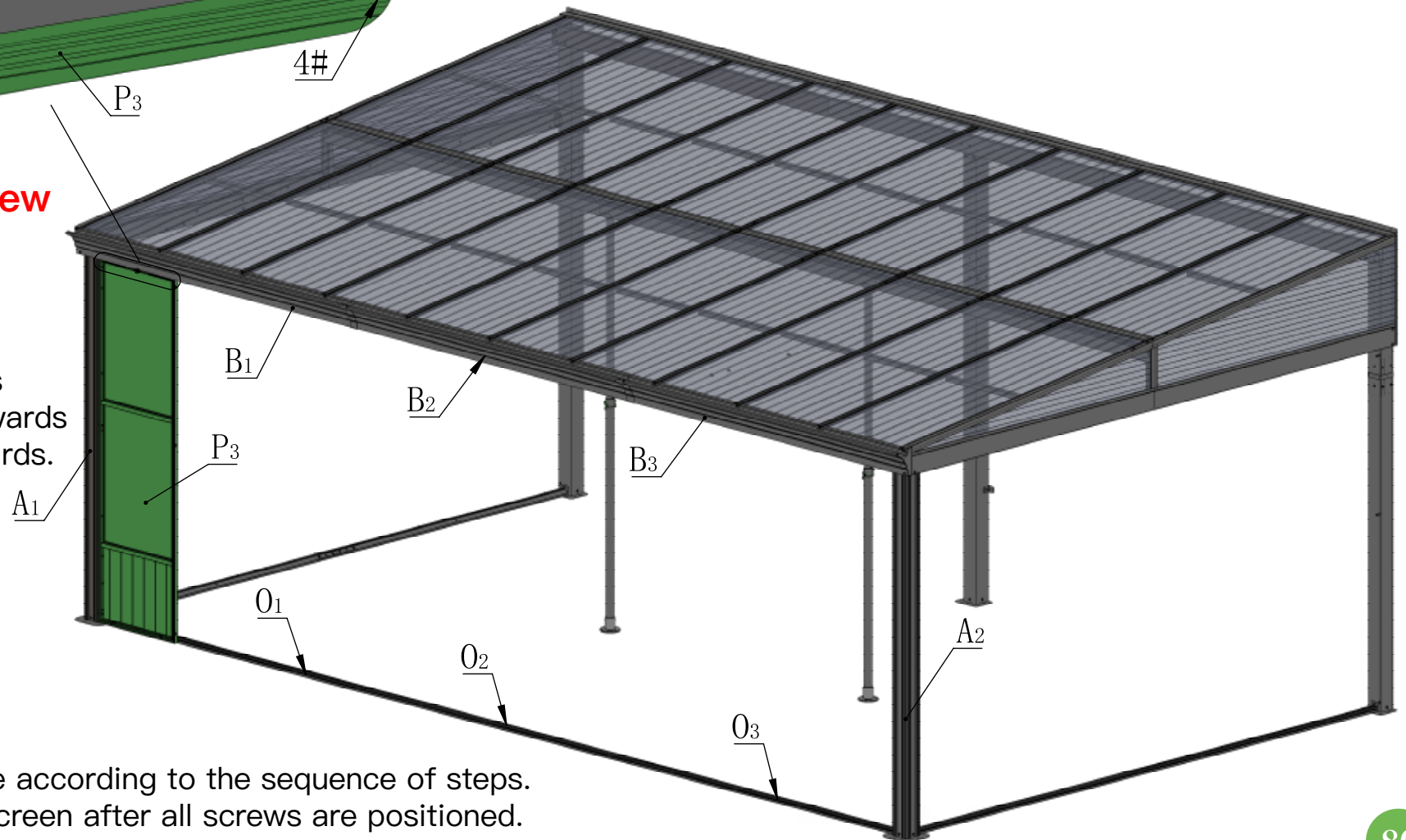
1X



Inside View

STEP3

The removable windows should be installed outwards while the screen is inwards.



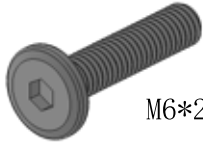
Note: Assemble according to the sequence of steps. Tighten each screen after all screws are positioned.



M6*16

4#

6X



M6*28

5#

6X



M6*30

19#

9X



20#

9X



S4

16#

1X

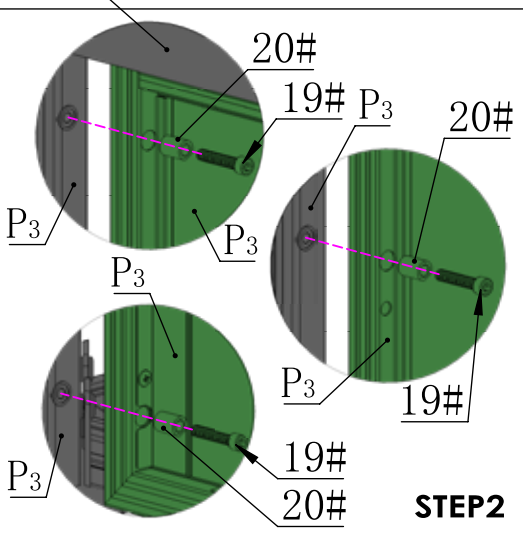
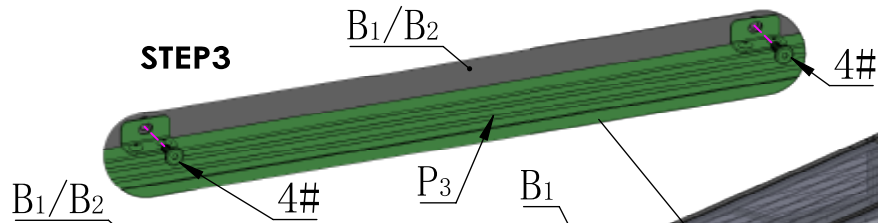


S5

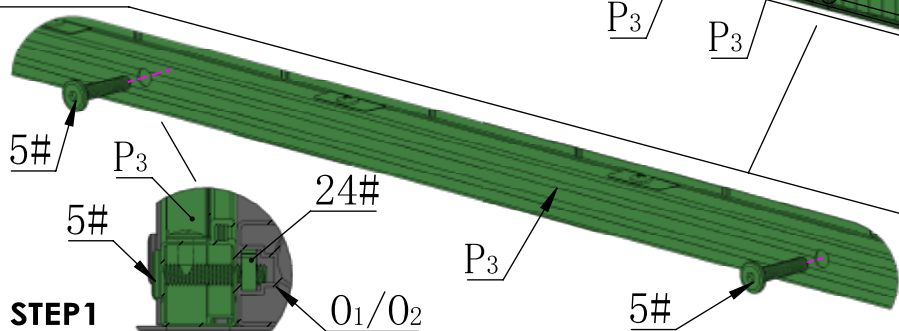
25#

1X

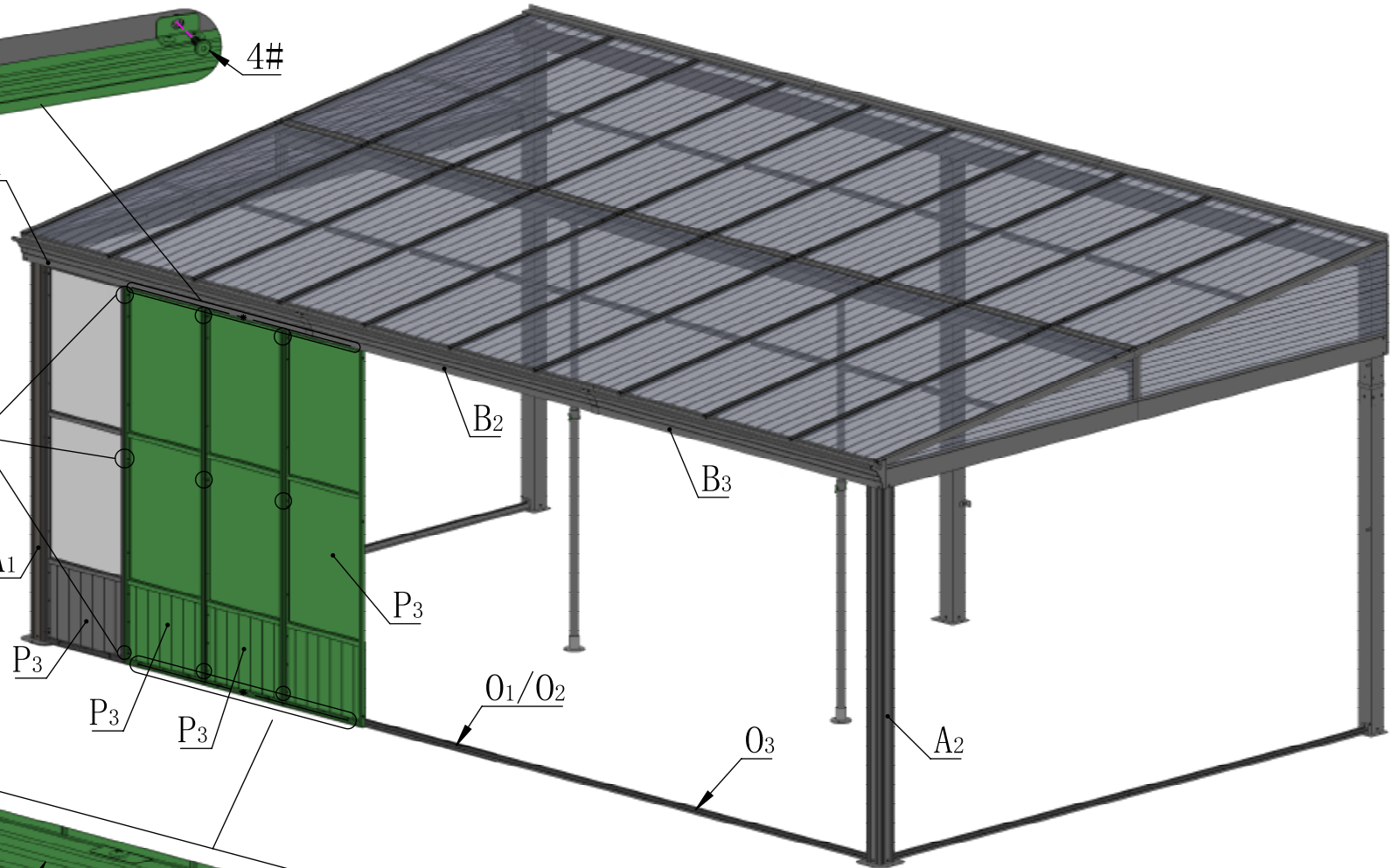
STEP 3



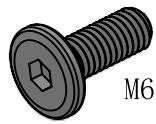
STEP 2



STEP 1

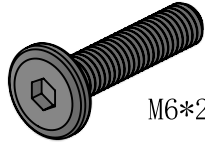


Note: Assemble according to the sequence of steps. Tighten each screen after all screws are positioned. (Align the holes, tighten screw #5 to metal square nuts #24 first).



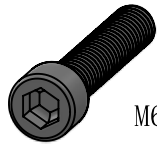
M6*16

4# 8X



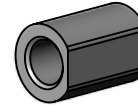
M6*28

5# 8X

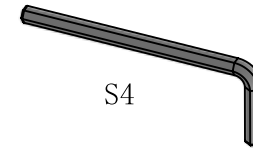


M6*30

19# 12X

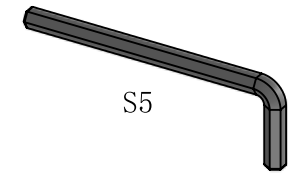


20# 12X



S4

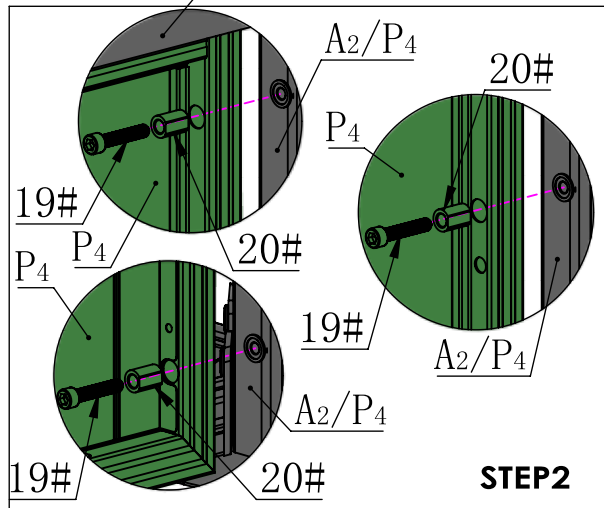
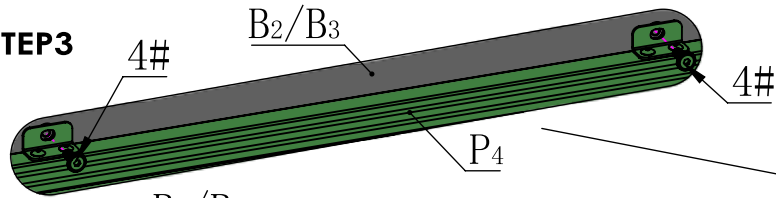
16# 1X



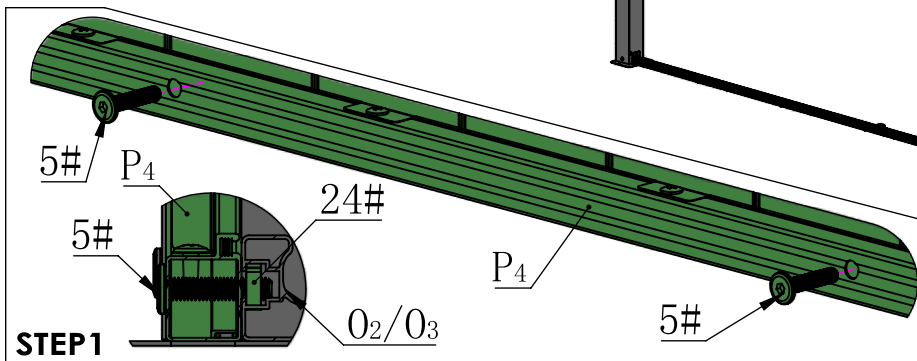
S5

25# 1X

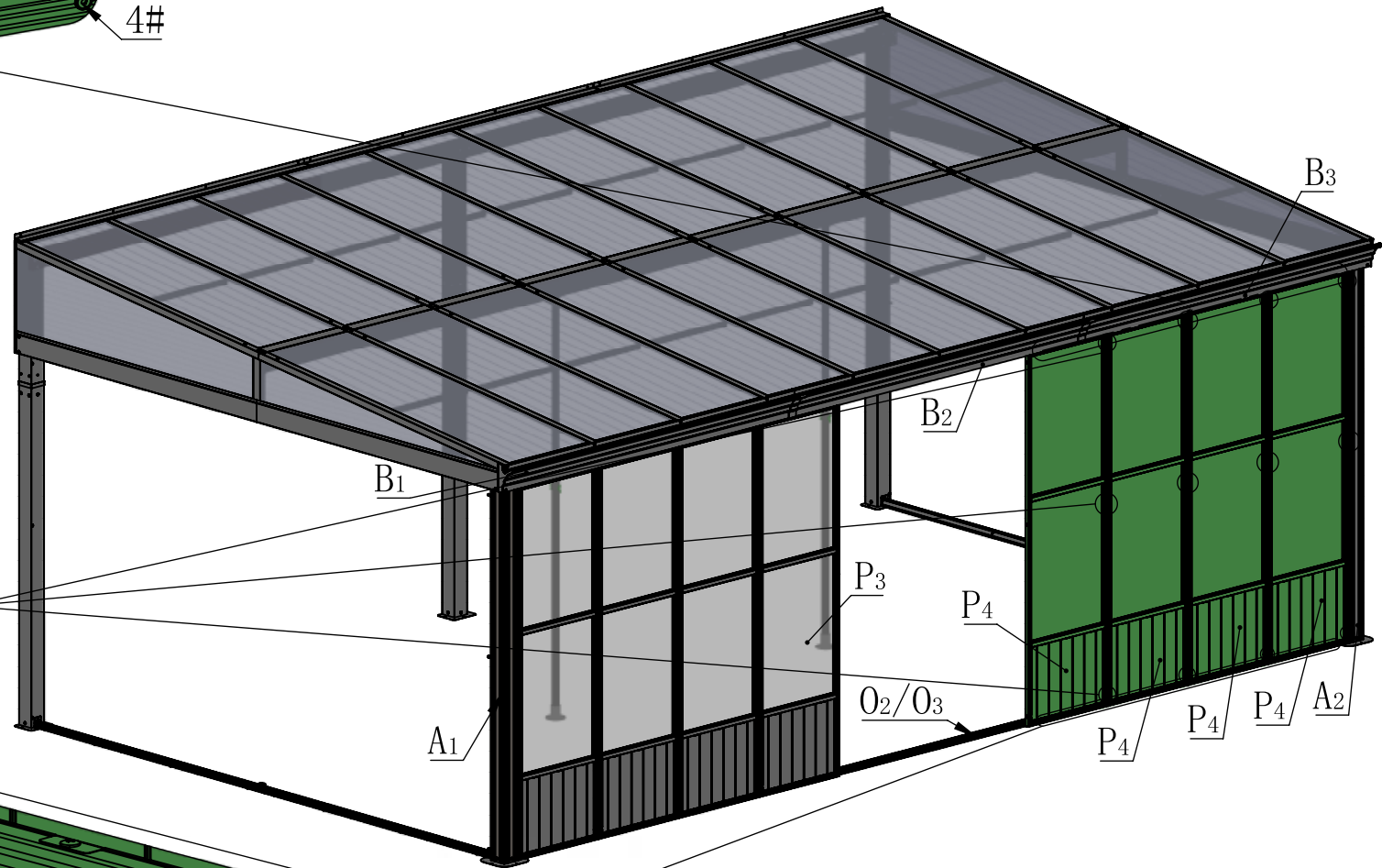
STEP3



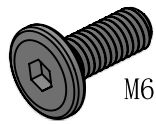
STEP2



STEP1



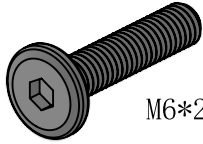
Note: Assemble according to the sequence of steps. Tighten each screen after all screws are positioned. (Align the holes, tighten screw #5 to metal square nuts #24 first).



M6*16

4#

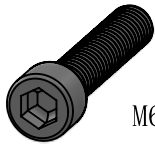
4X



M6*28

5#

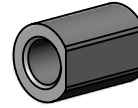
4X



M6*30

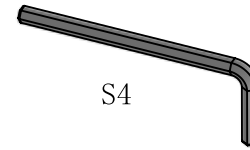
19#

6X



20#

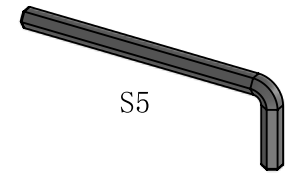
6X



S4

16#

1X

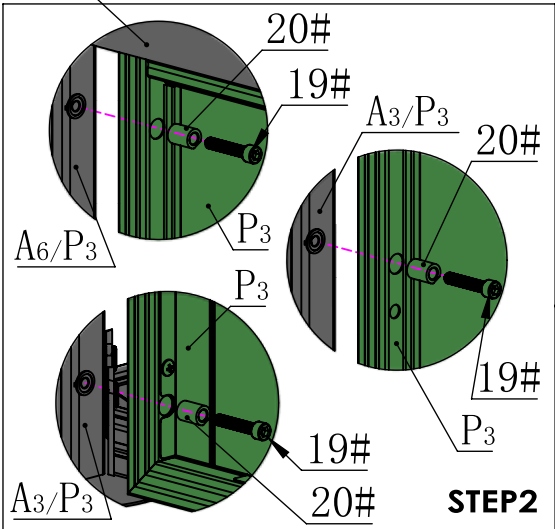
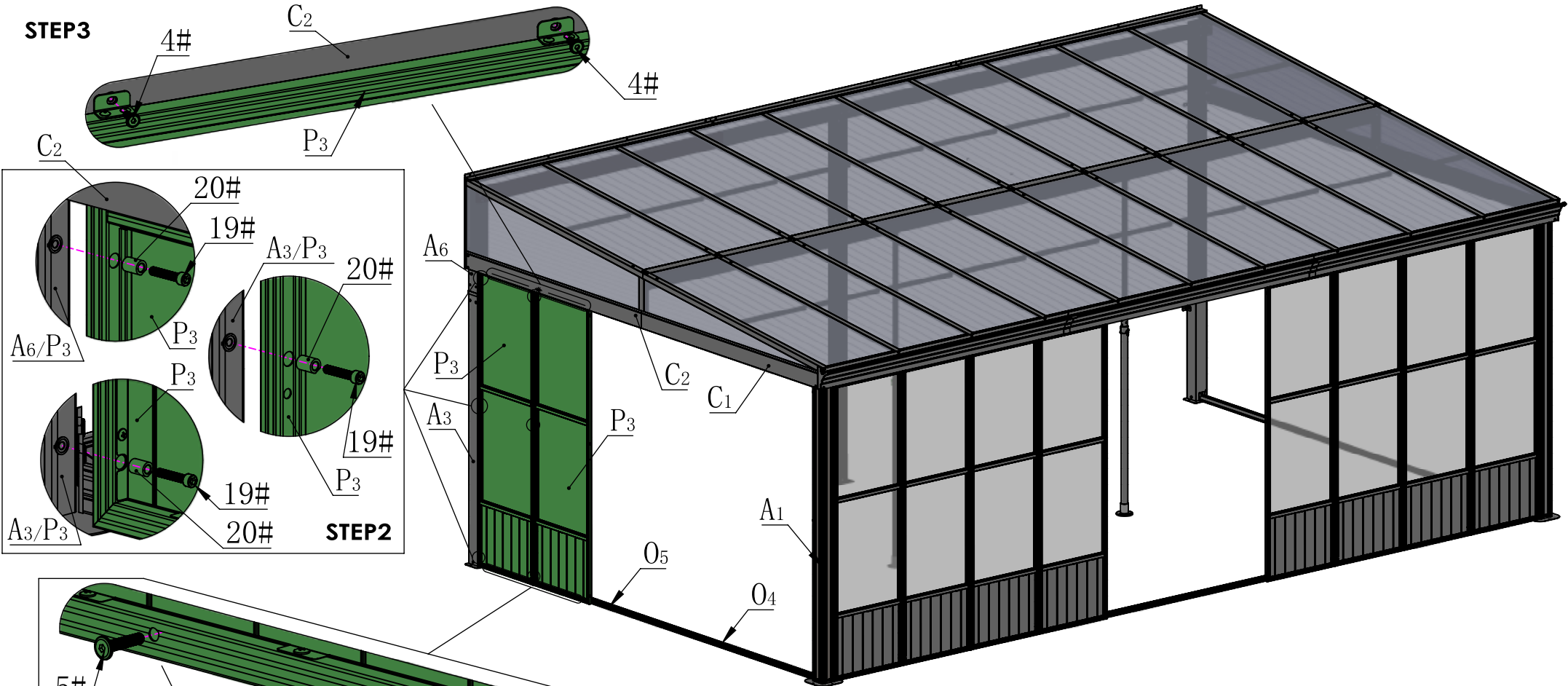


S5

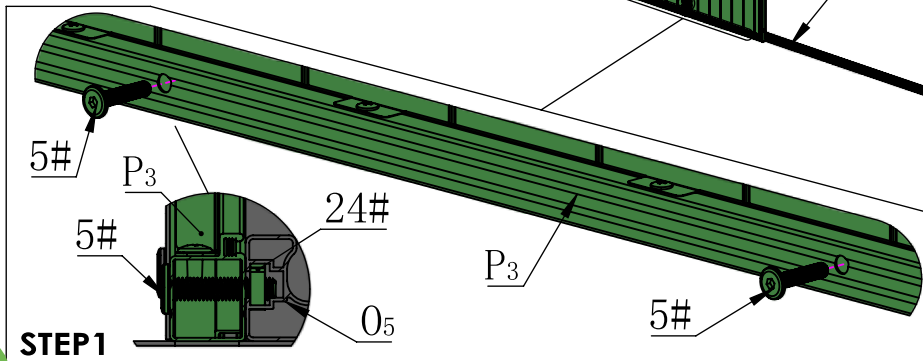
25#

1X

STEP 3

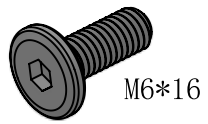


STEP 2

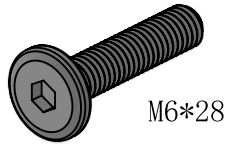


STEP 1

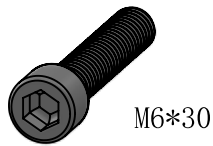
Note: Assemble according to the sequence of steps. Tighten each screen after all screws are positioned. (Align the holes, tighten screw #5 to metal square nuts #24 first).



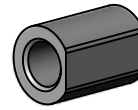
4# 4X



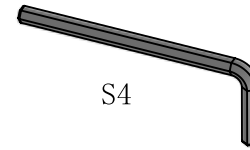
5# 4X



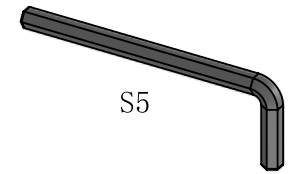
19# 6X



20# 6X

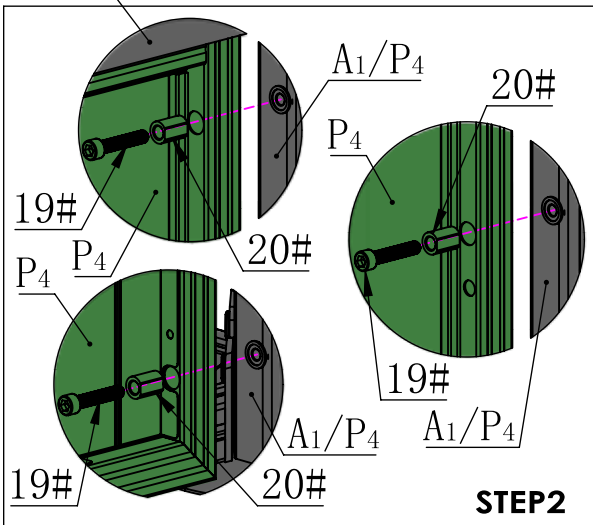
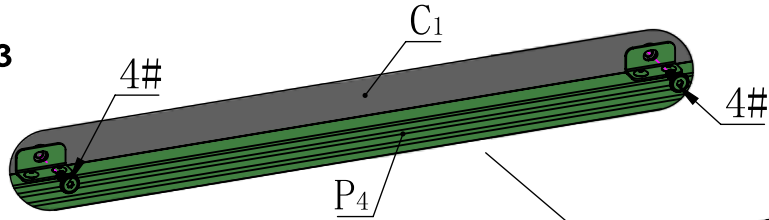


16# 1X

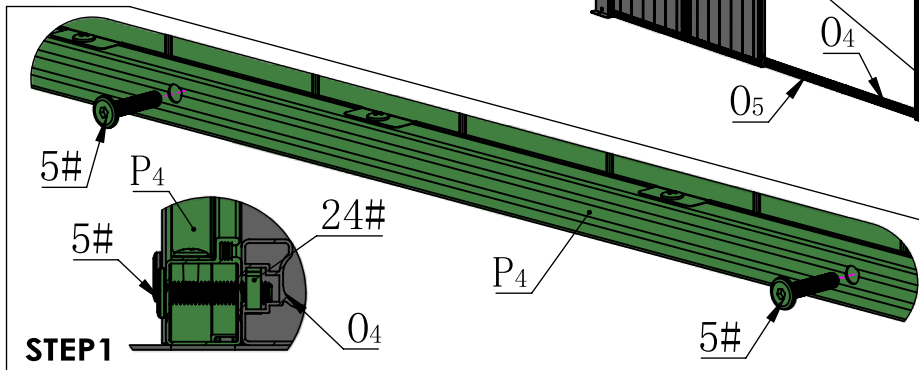


25# 1X

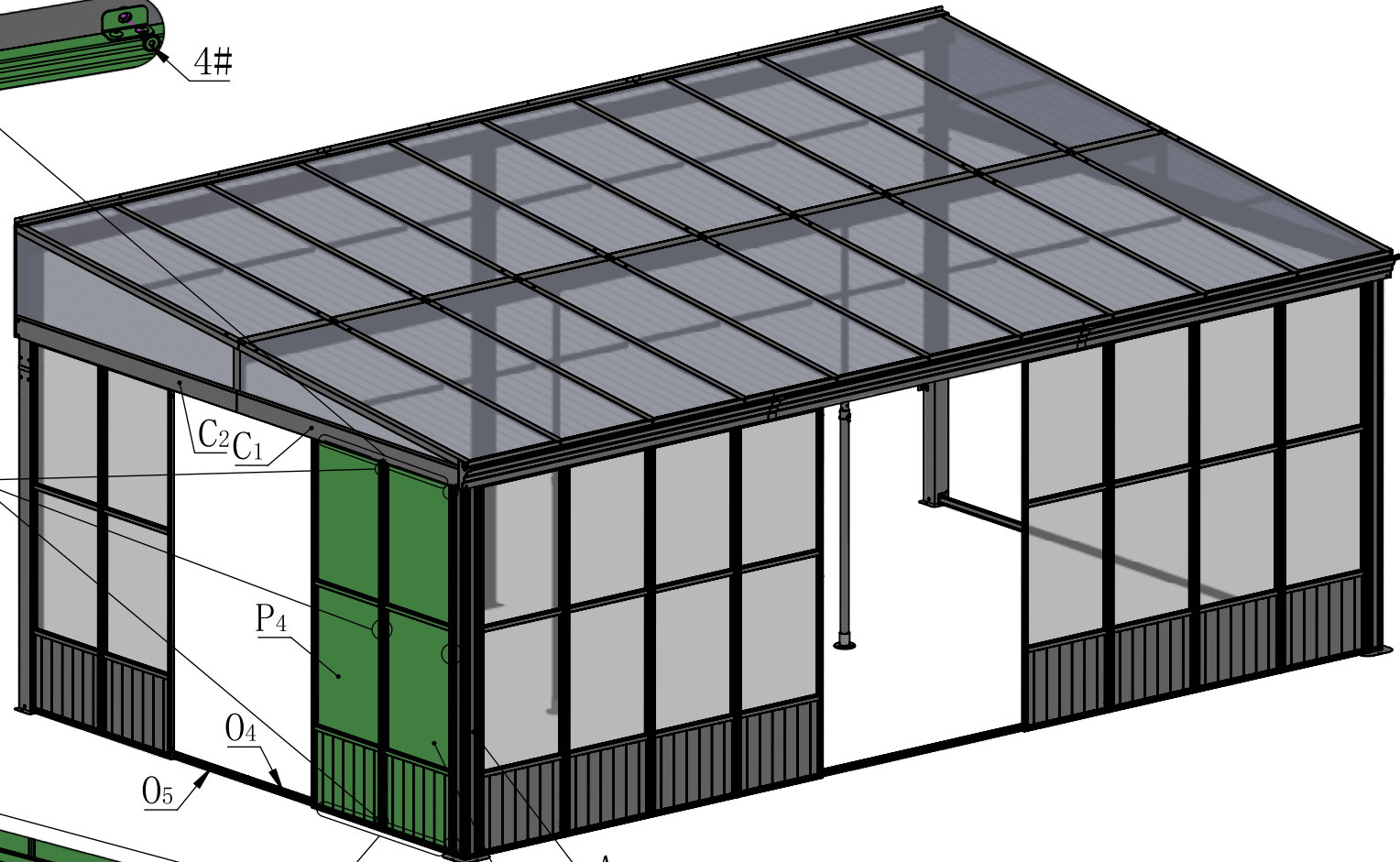
STEP 3



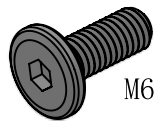
STEP 2



STEP 1



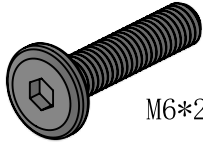
Note: Assemble according to the sequence of steps. Tighten each screen after all screws are positioned. (Align the holes, tighten screw #5 to metal square nuts #24 first).



M6*16

4#

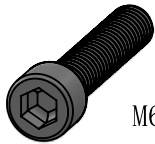
4X



M6*28

5#

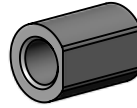
4X



M6*30

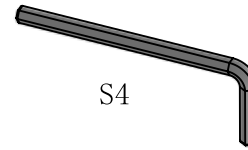
19#

6X



20#

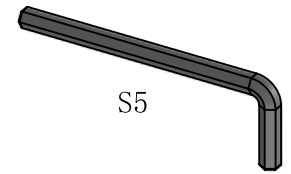
6X



S4

16#

1X

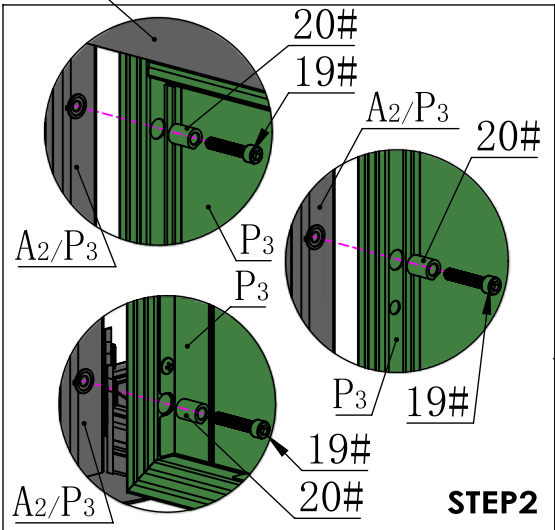
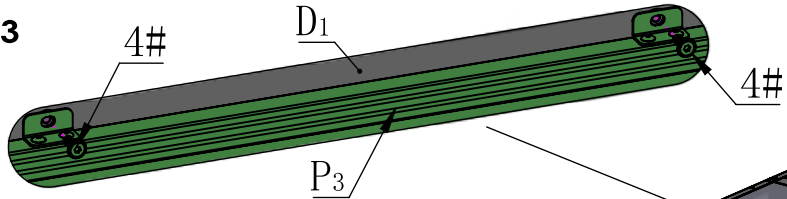


S5

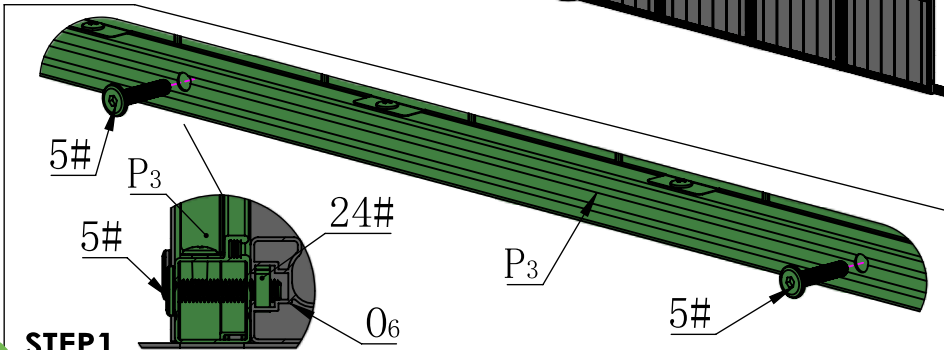
25#

1X

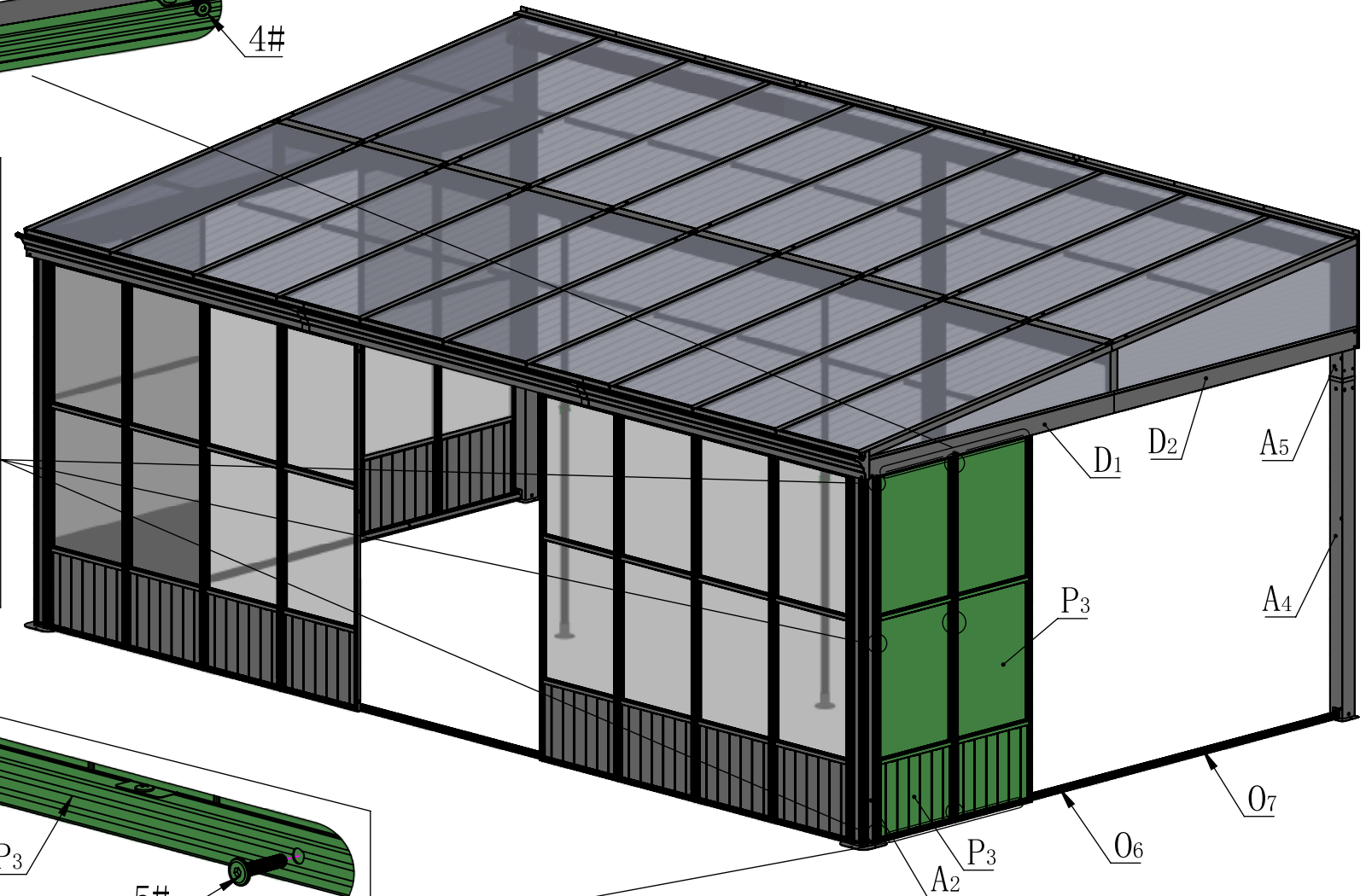
STEP3



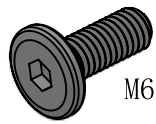
STEP2



STEP1

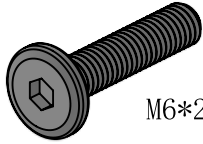


Note: Assemble according to the sequence of steps. Tighten each screen after all screws are positioned. (Align the holes, tighten screw #5 to metal square nuts #24 first).



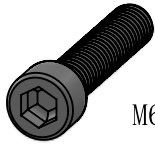
M6*16

4# 4X



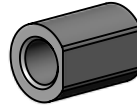
M6*28

5# 4X

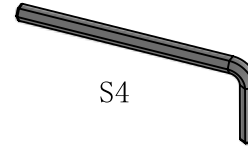


M6*30

19# 6X

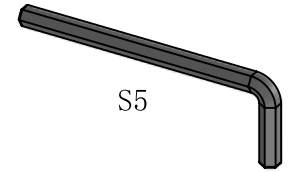


20# 6X



S4

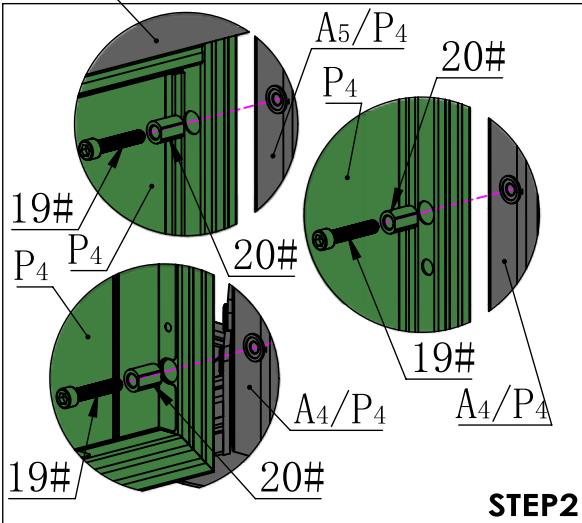
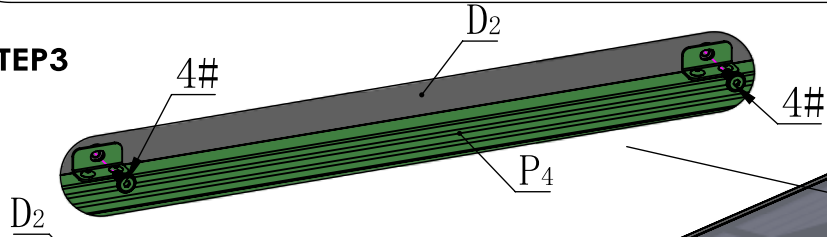
16# 1X



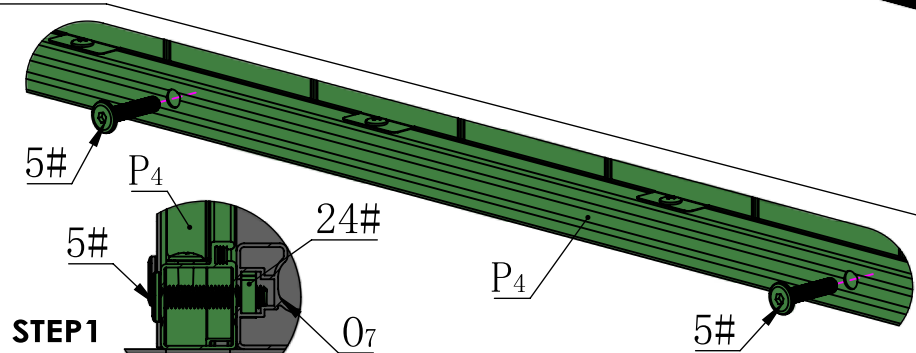
S5

25# 1X

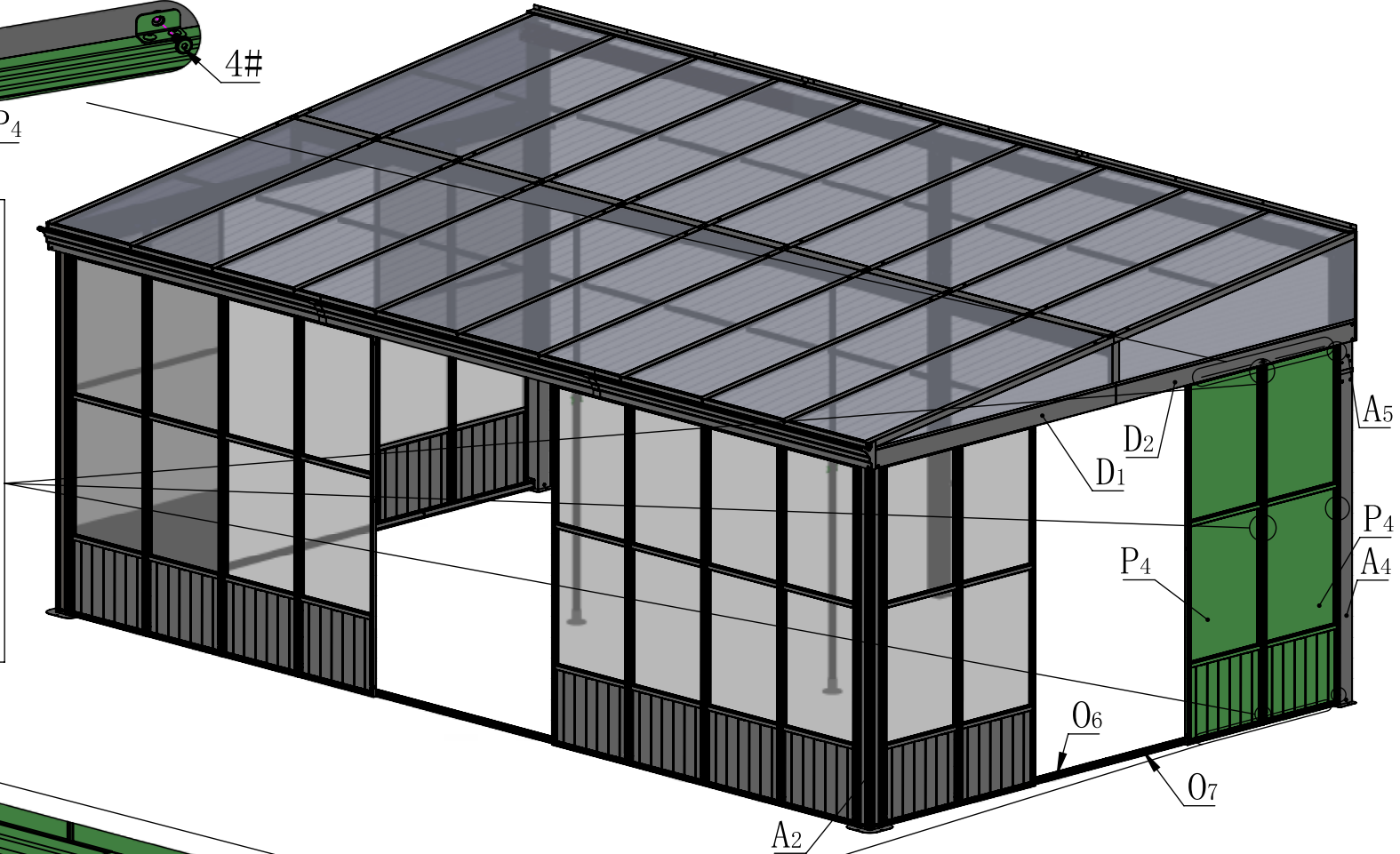
STEP3



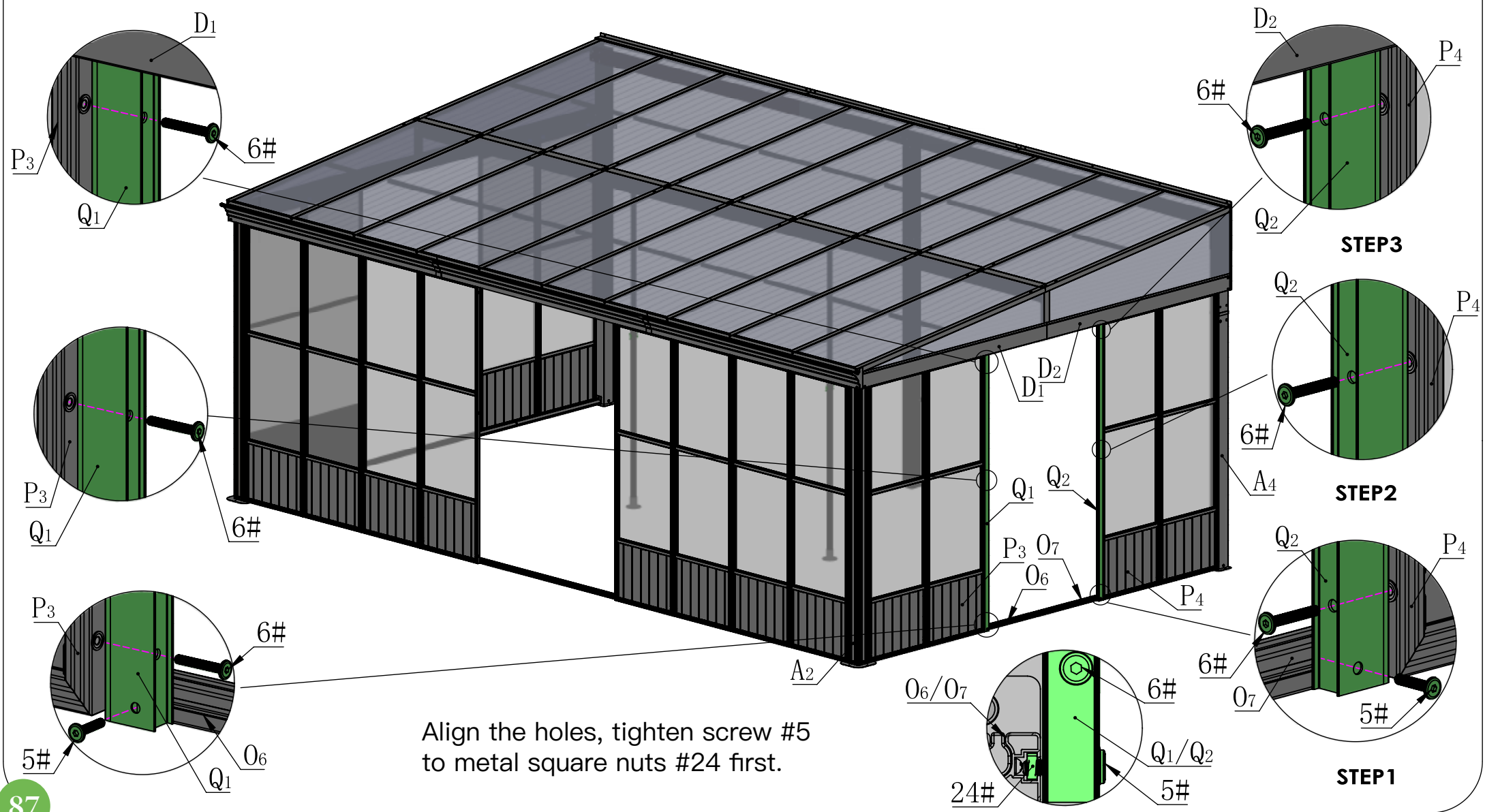
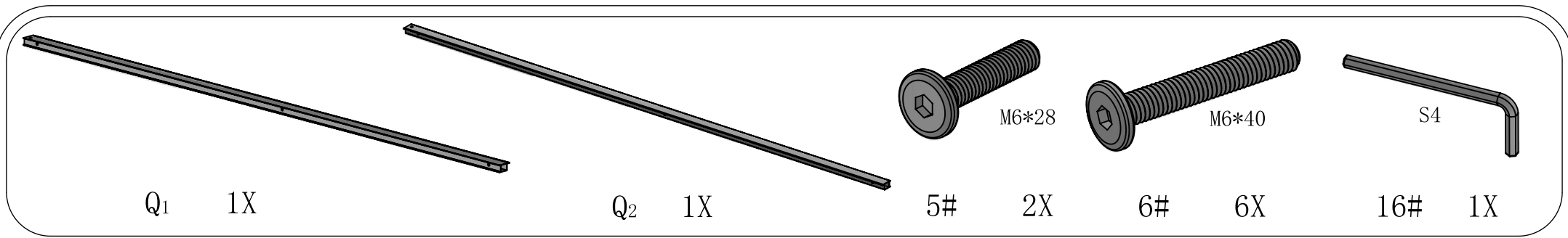
STEP2



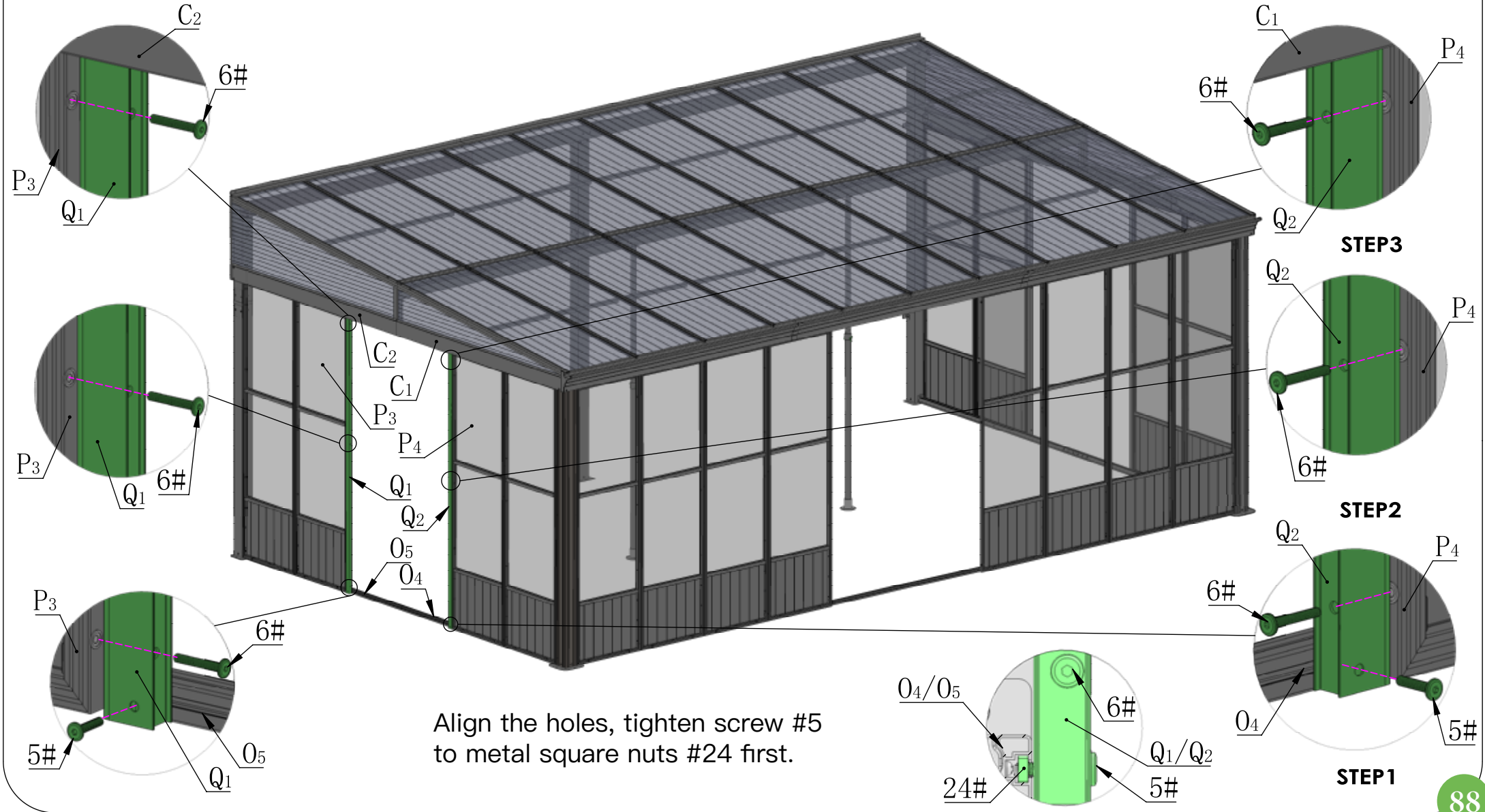
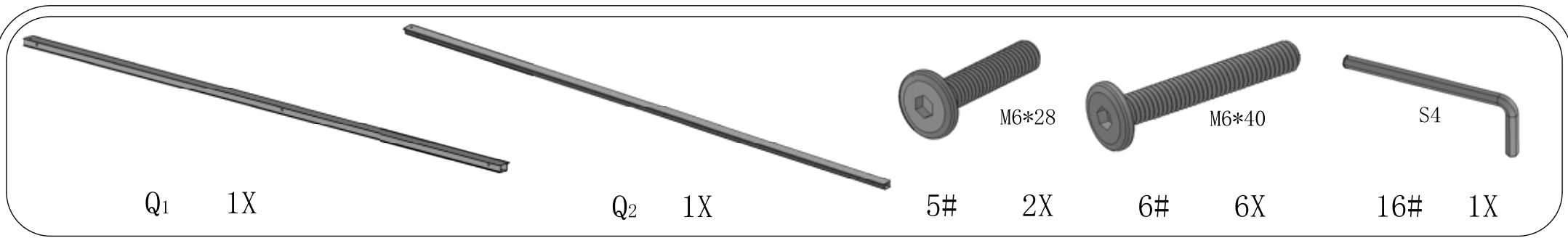
STEP1

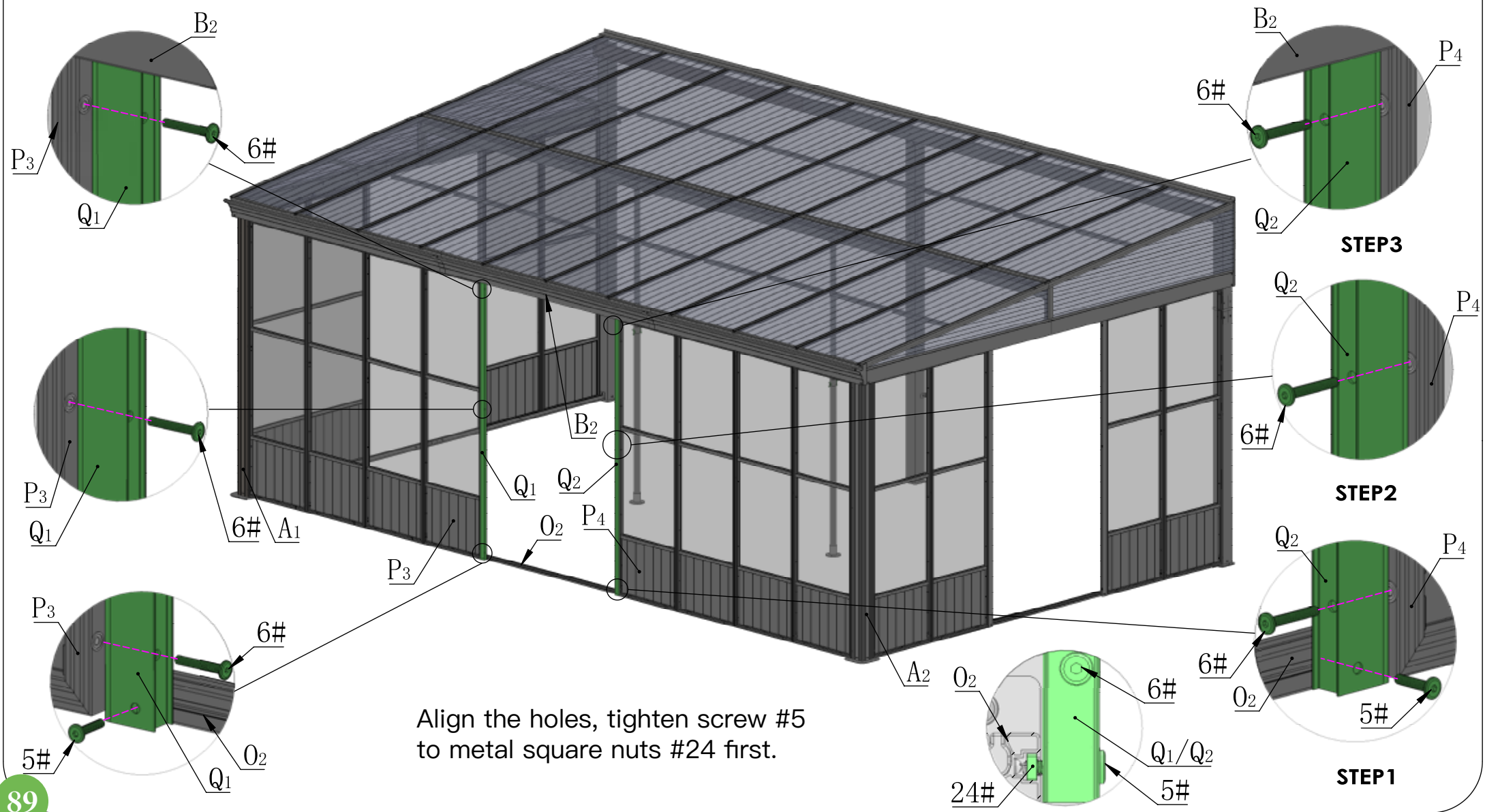
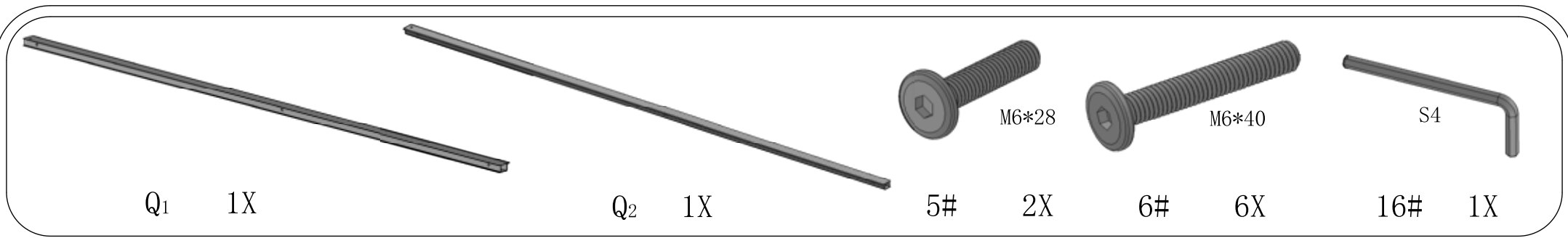


Note: Assemble according to the sequence of steps. Tighten each screen after all screws are positioned. (Align the holes, tighten screw #5 to metal square nuts #24 first).



Align the holes, tighten screw #5 to metal square nuts #24 first.



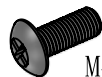
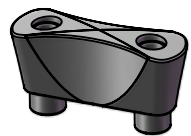


Align the holes, tighten screw #5 to metal square nuts #24 first.

STEP3

STEP2

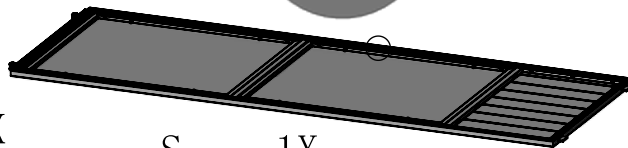
STEP1



M4*10

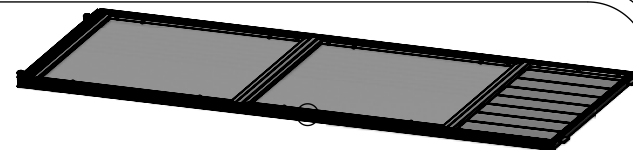


M4



S₁

1X



S₂

1X

M₄

4X

21#

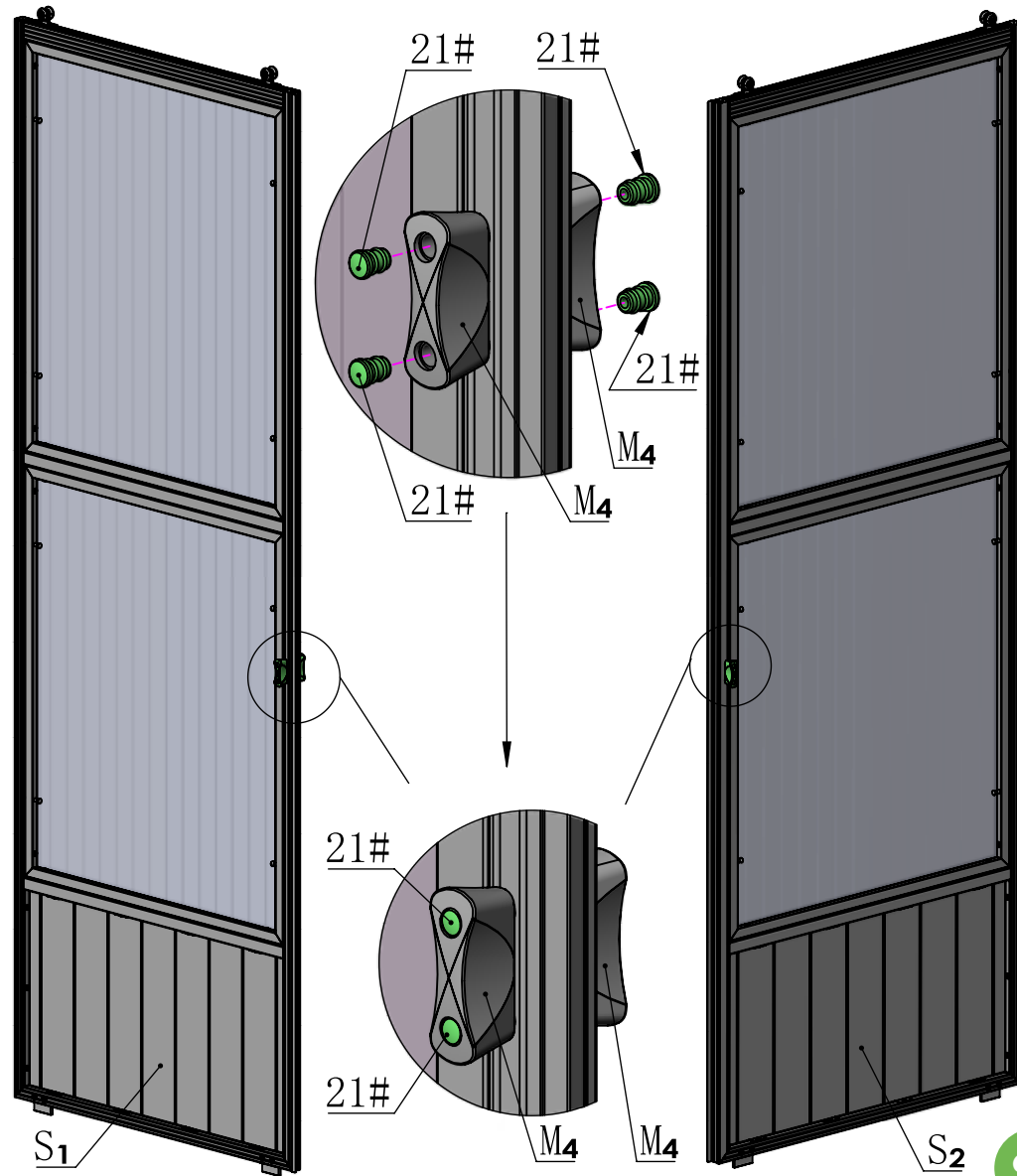
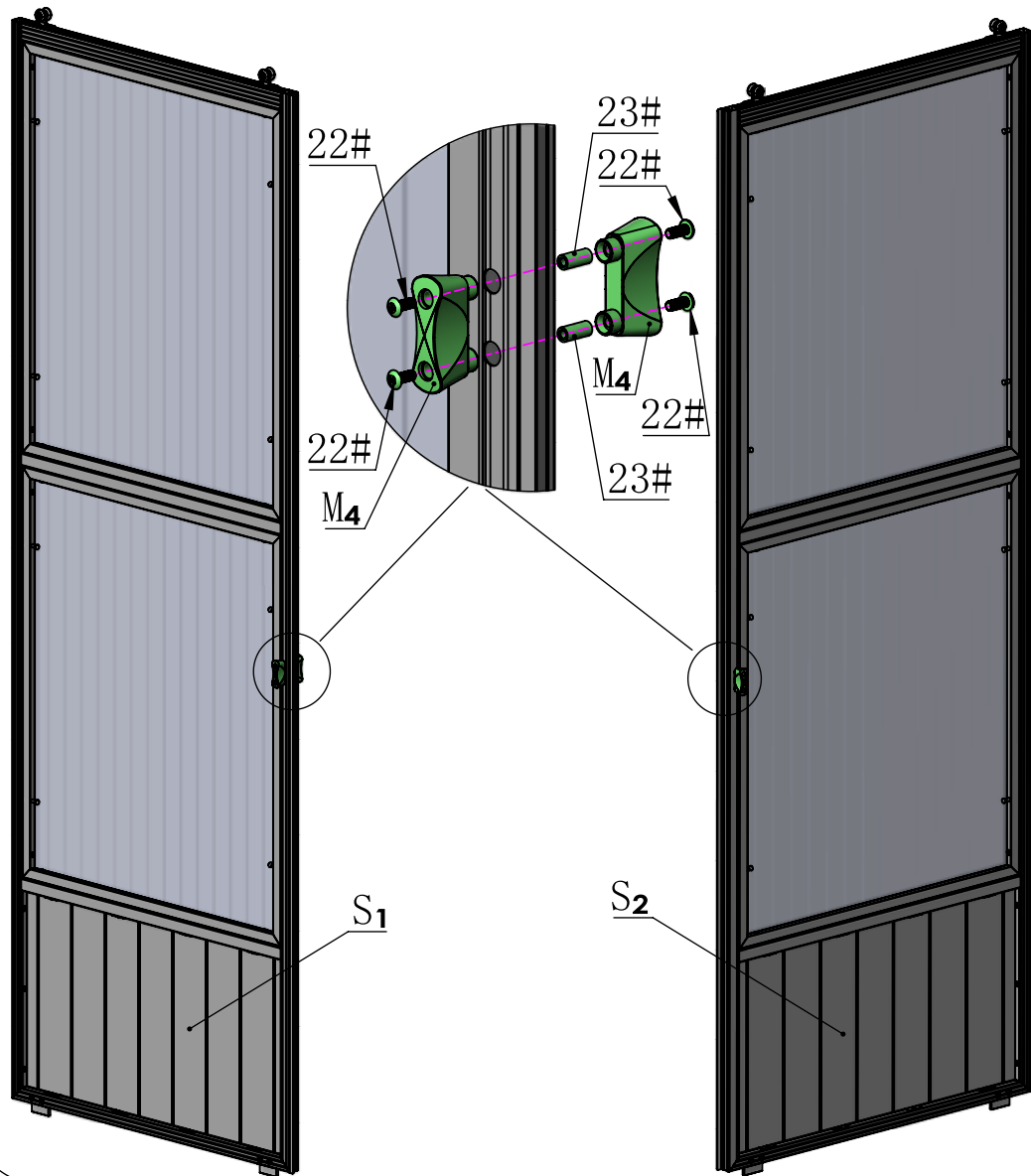
8X

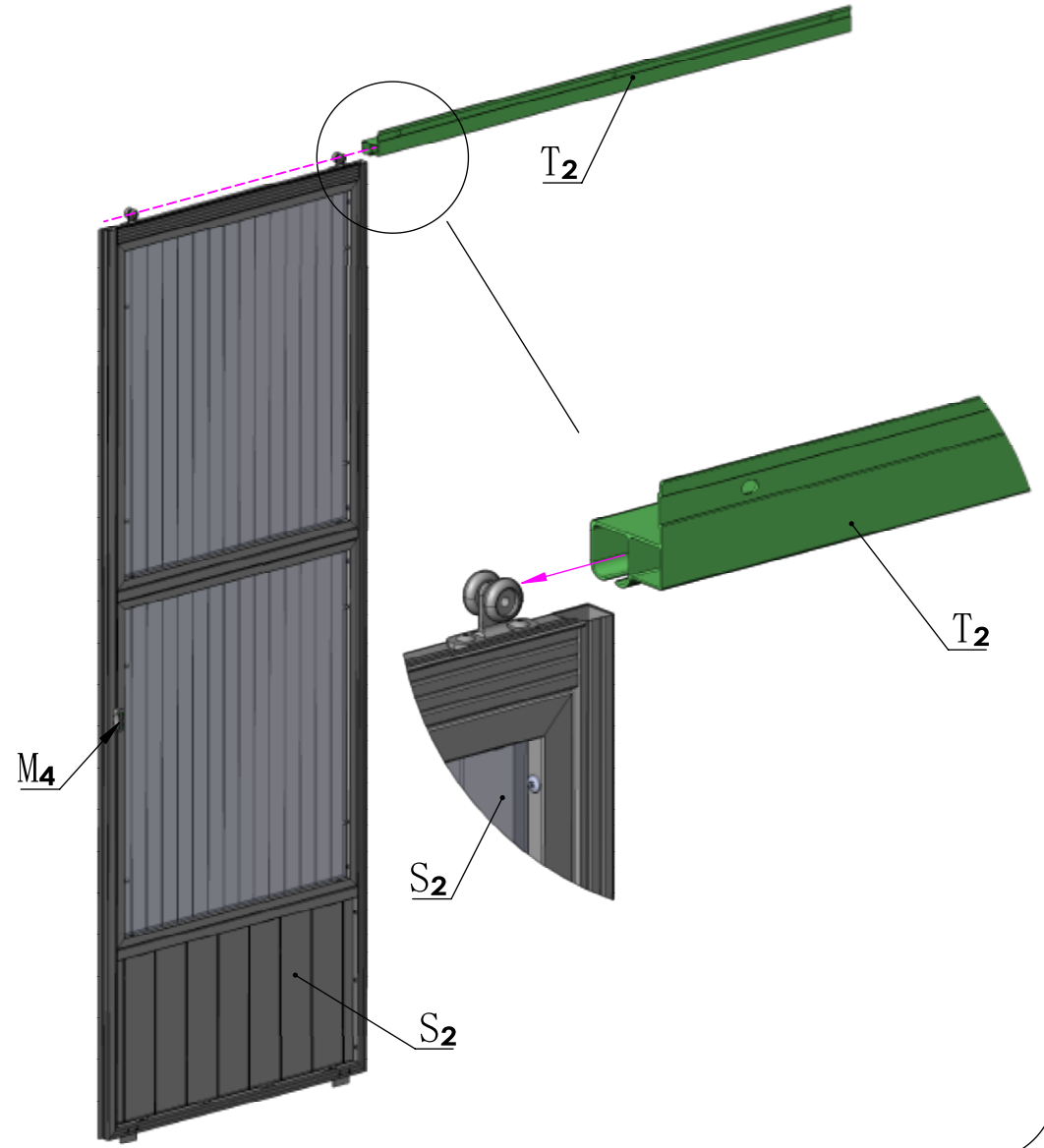
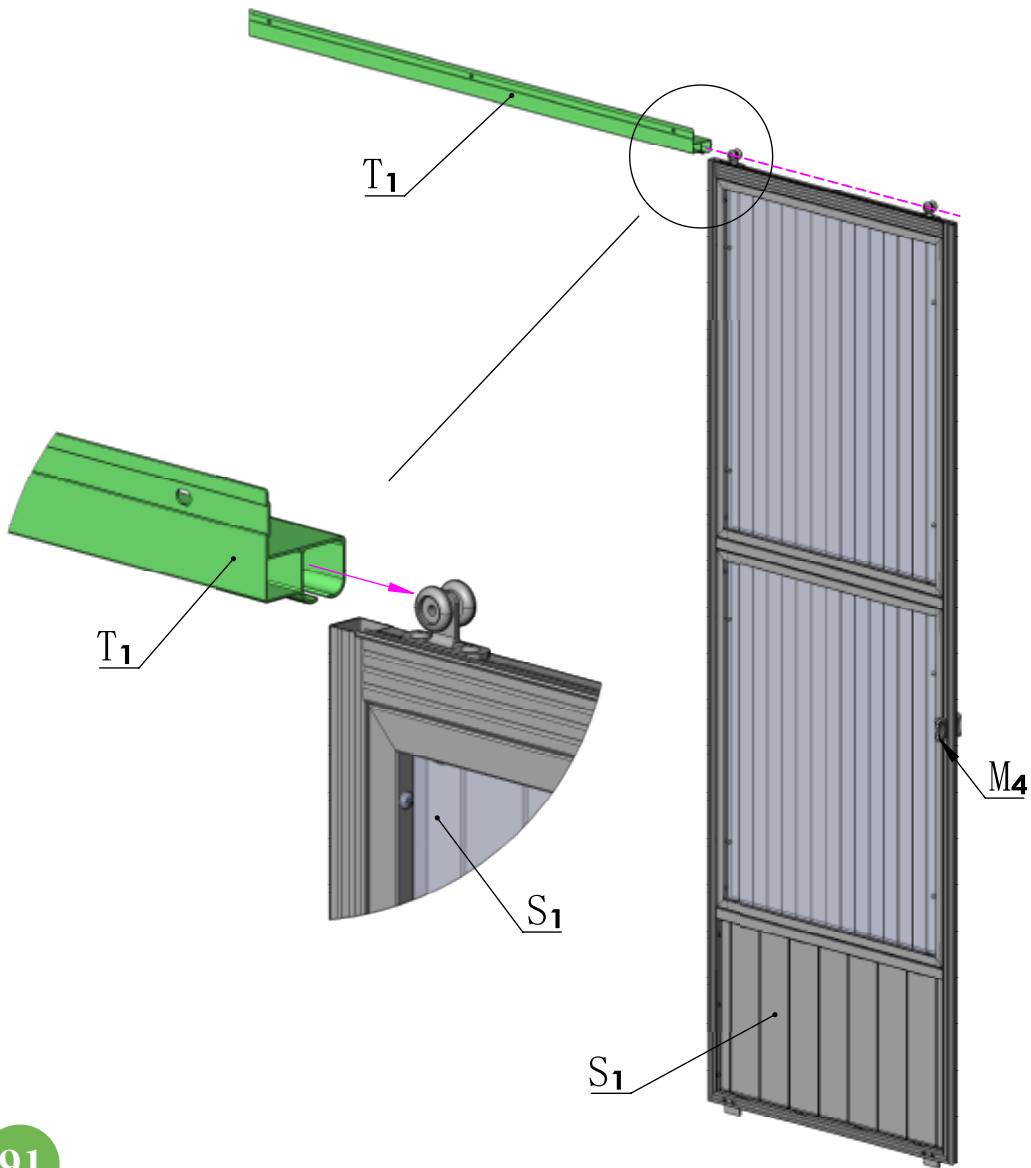
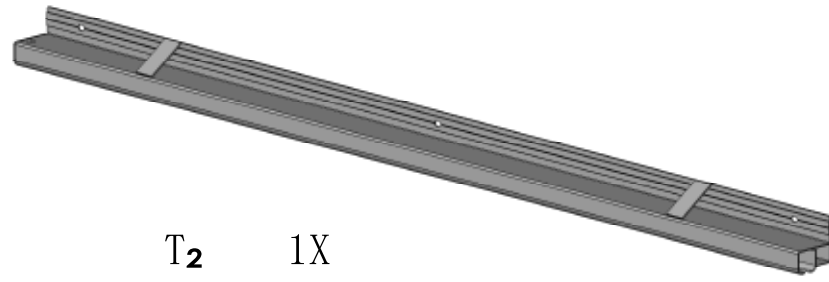
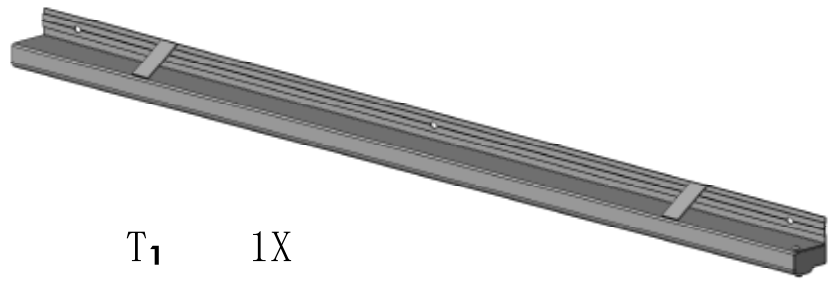
22#

8X

23#

4X

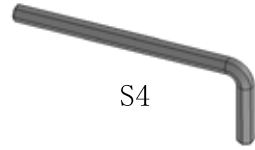






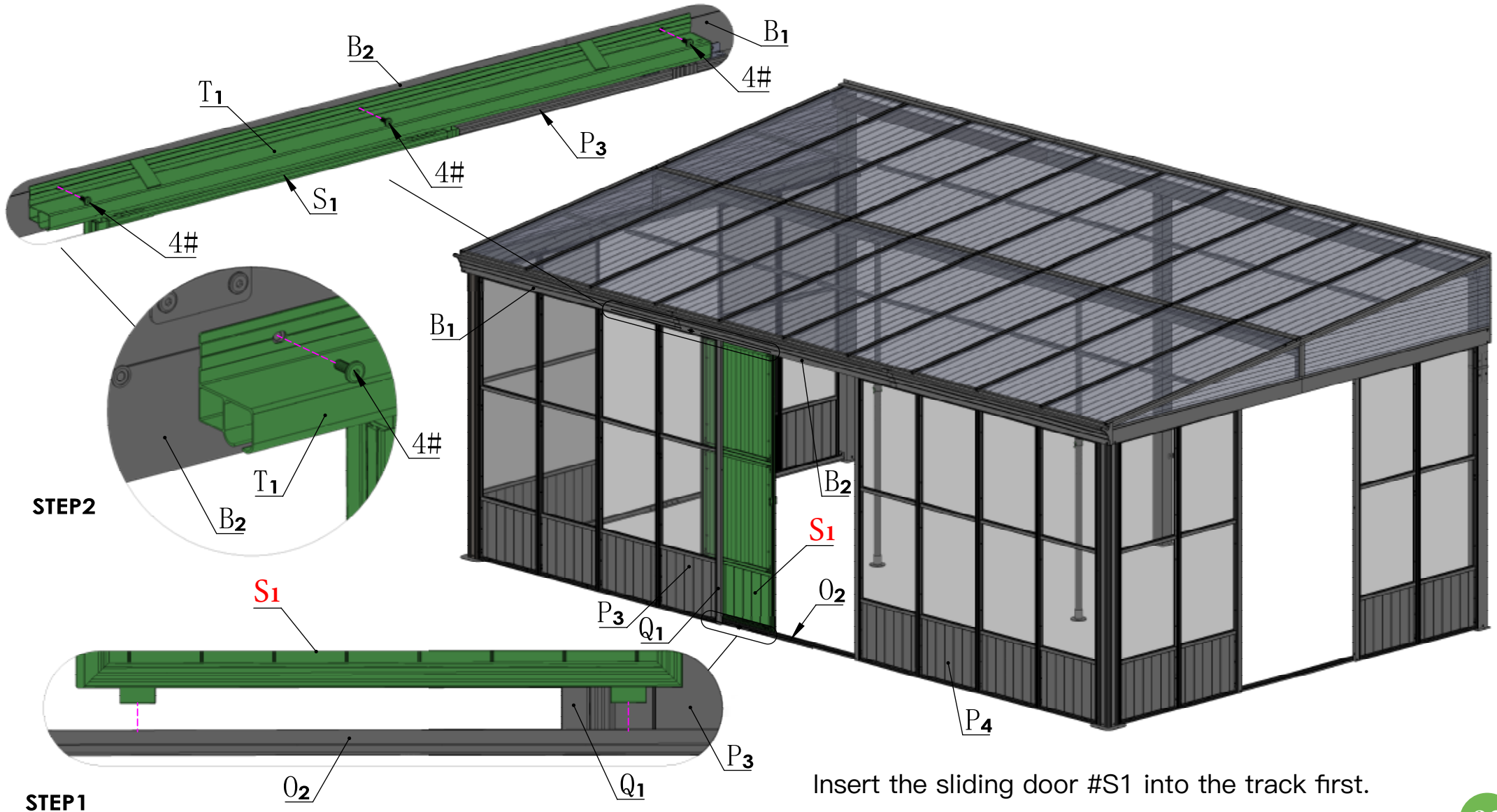
M6*16

4# 3X



S4

16# 1X





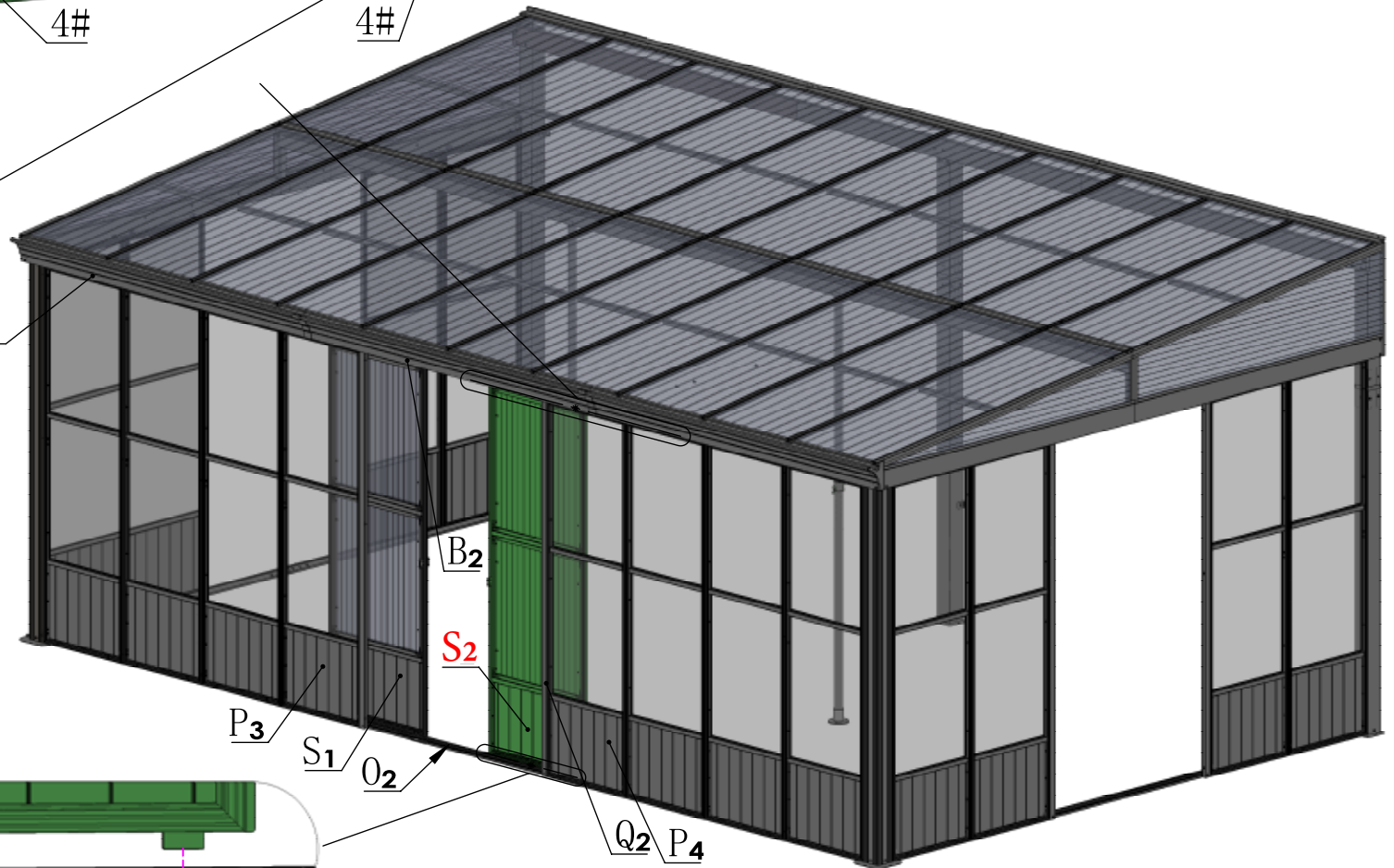
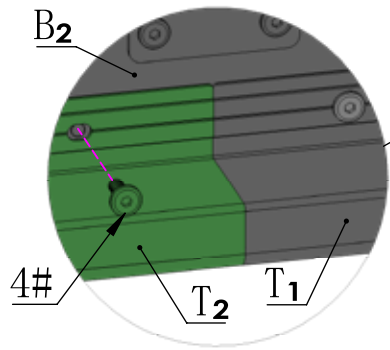
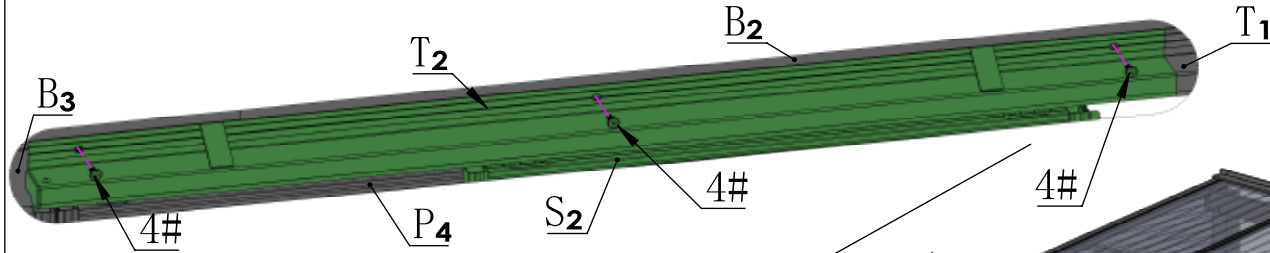
M6*16

4# 3X

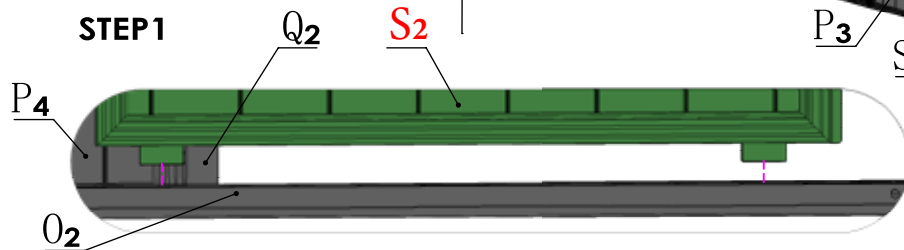


S4

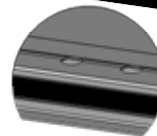
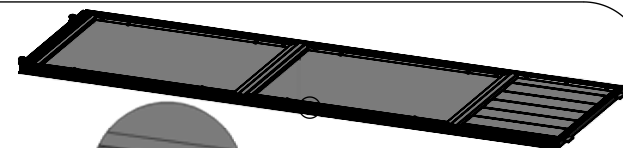
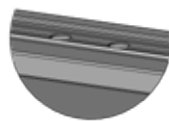
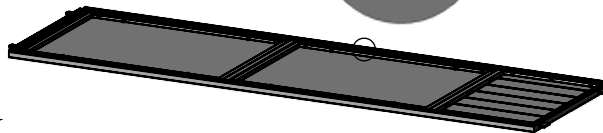
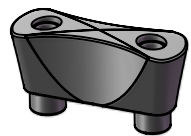
16# 1X



STEP2



Insert the sliding door #S2 into the track first.



M4

8X

21#

16X

22#

16X

23#

M4

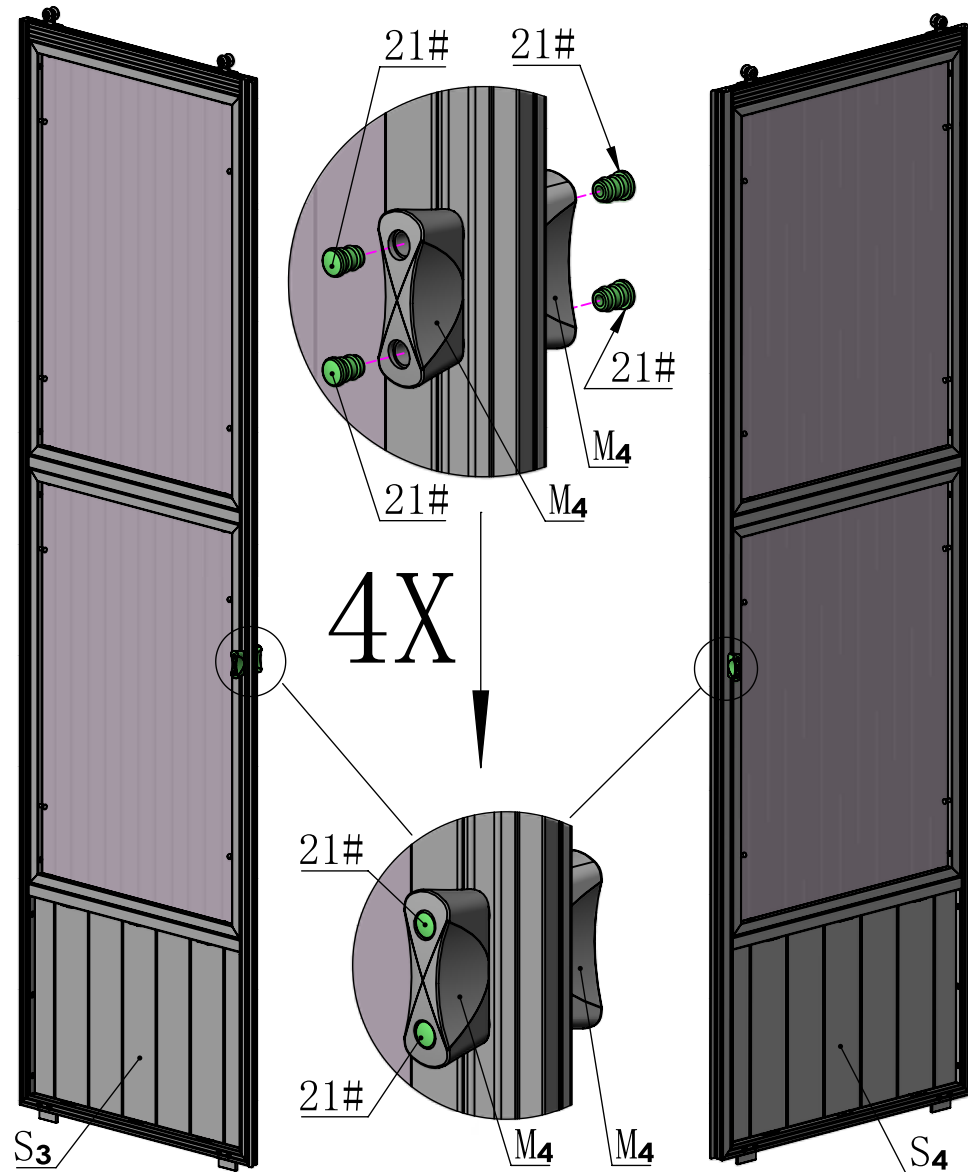
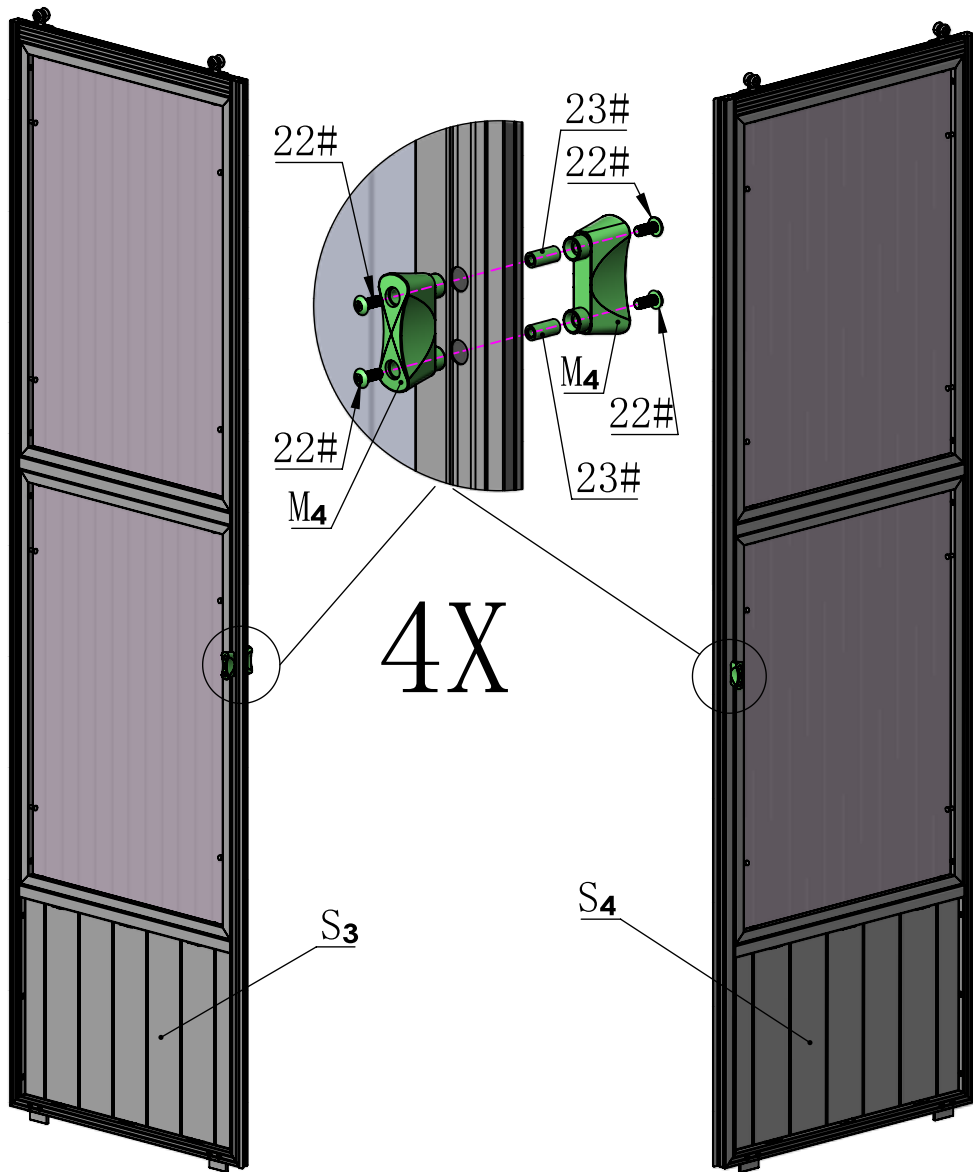
8X

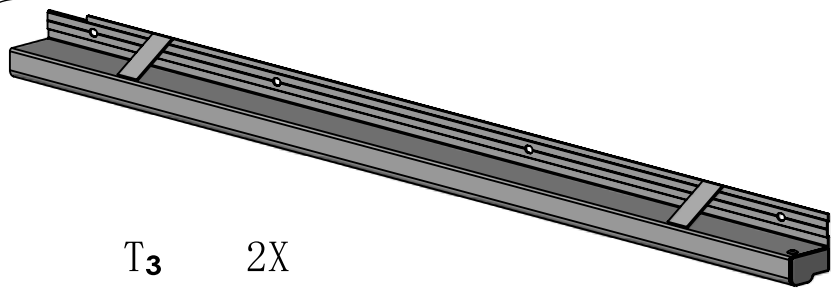
S3

2X

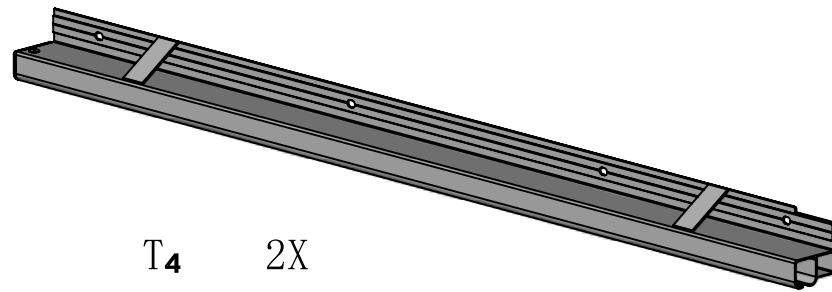
S4

2X

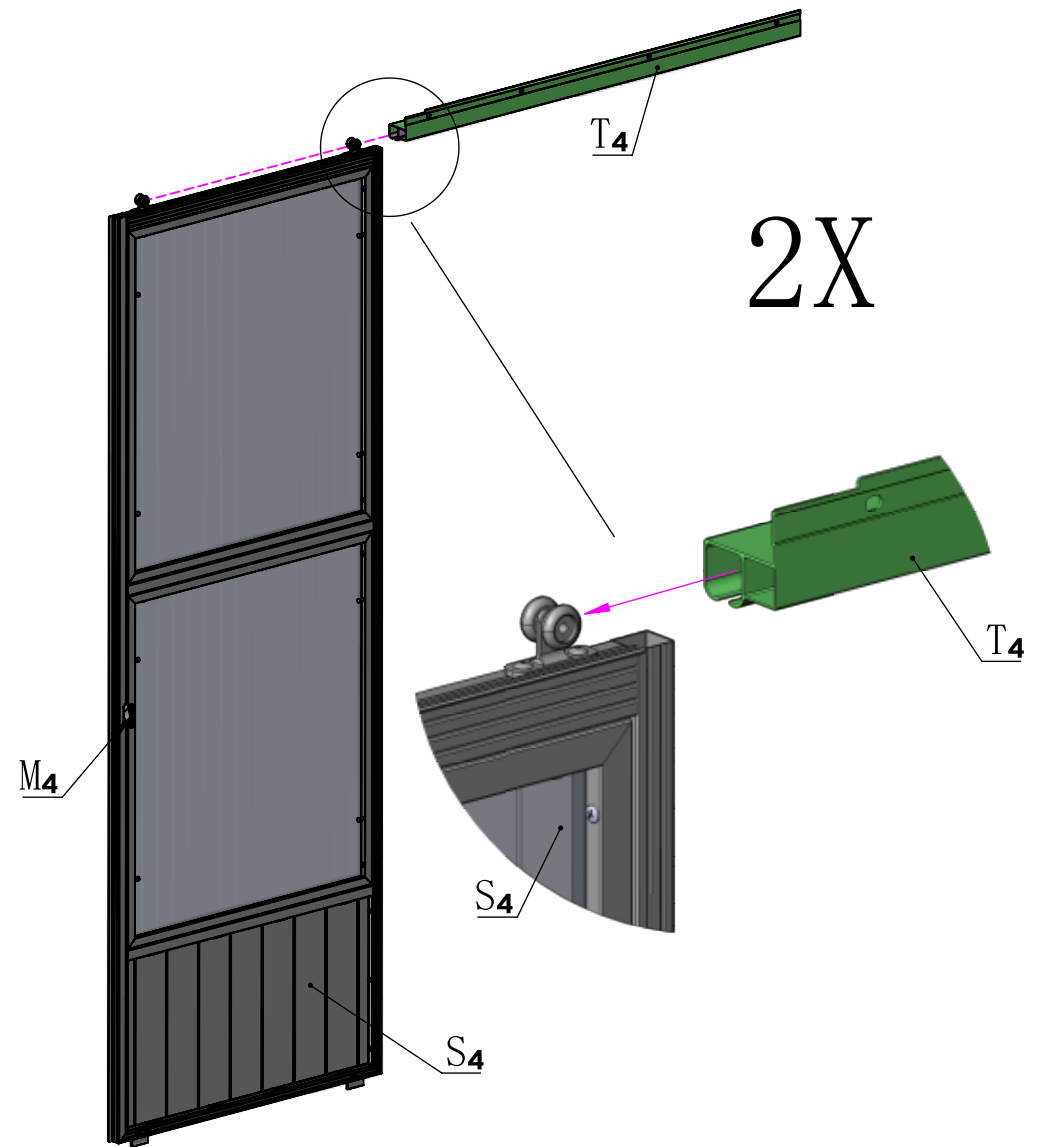
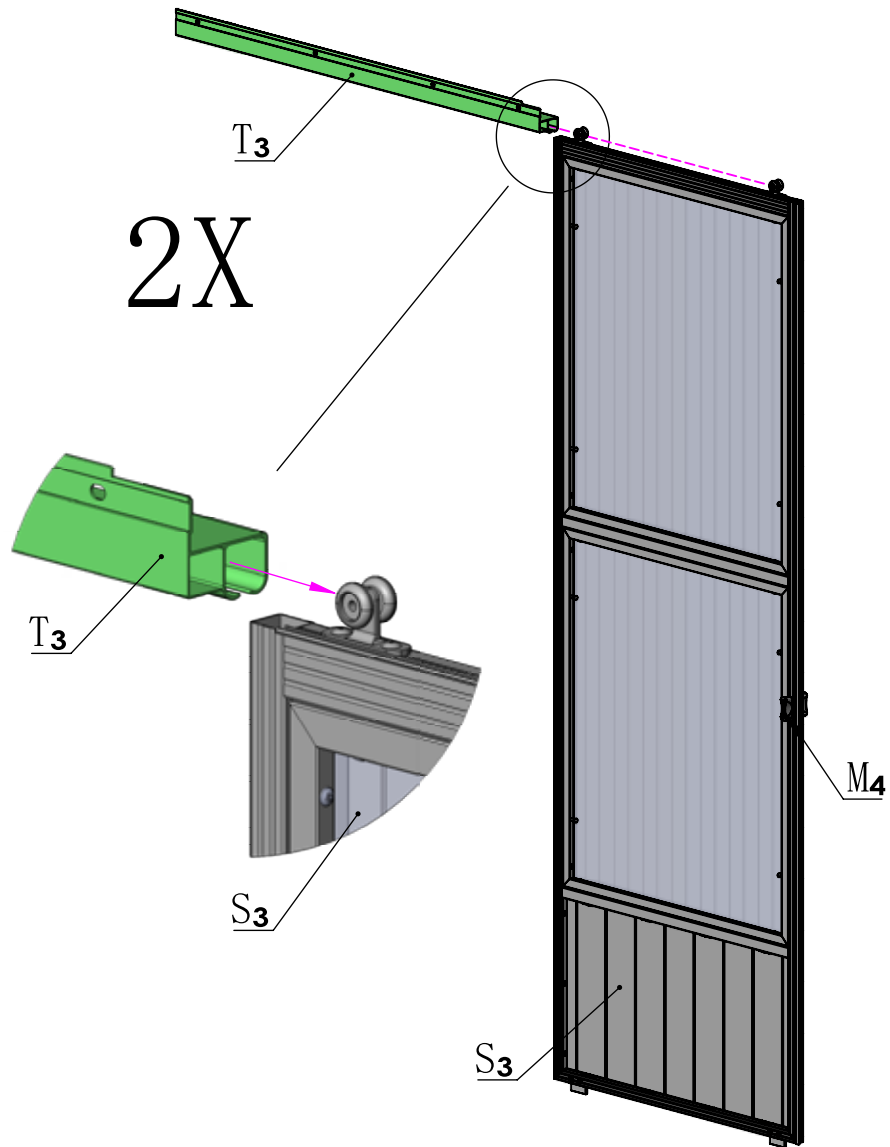


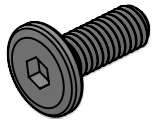


T₃ 2X



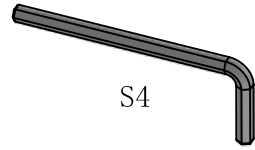
T₄ 2X





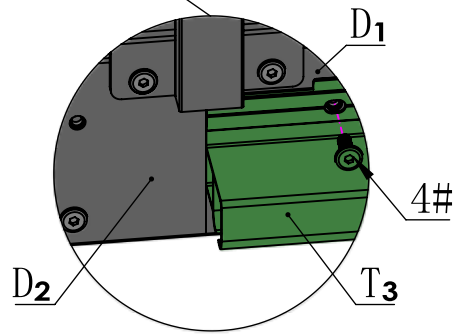
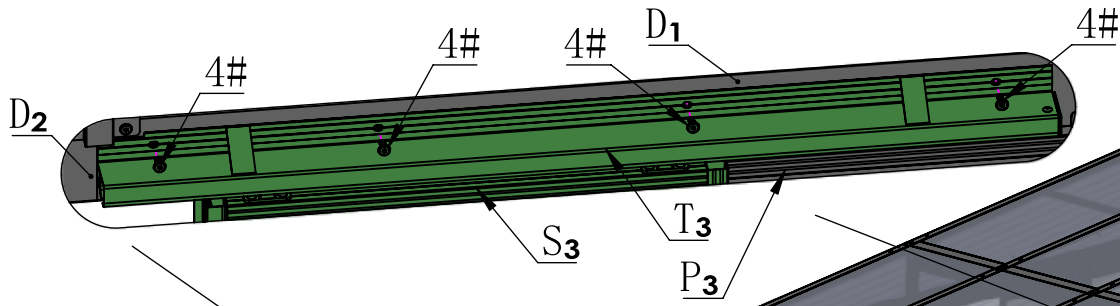
M6*16

4# 4X

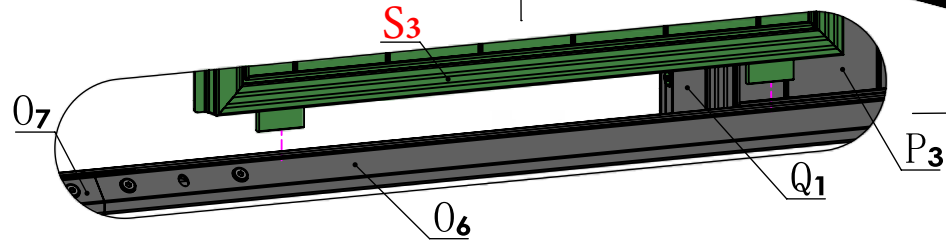
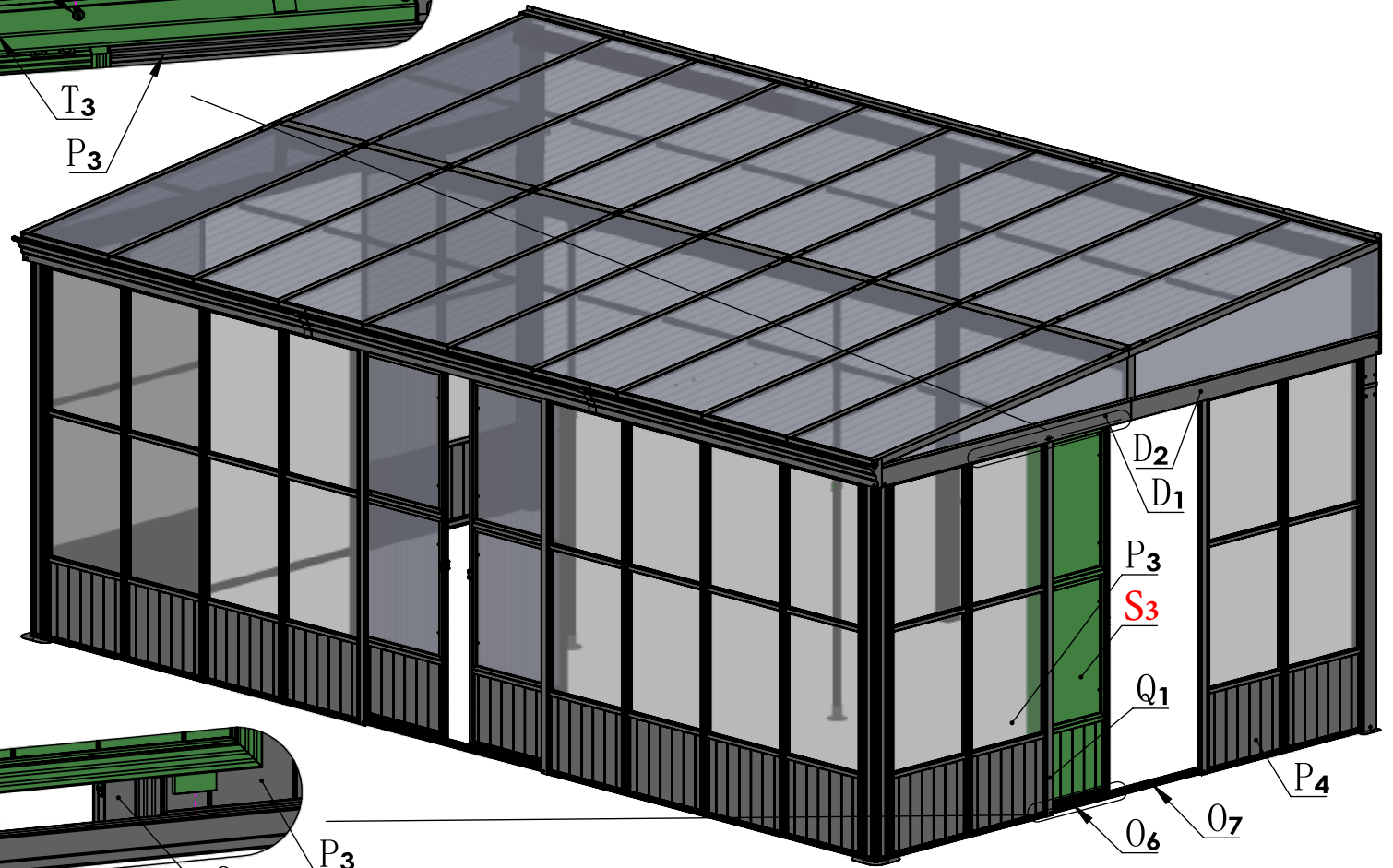


S4

16# 1X



STEP2



STEP1



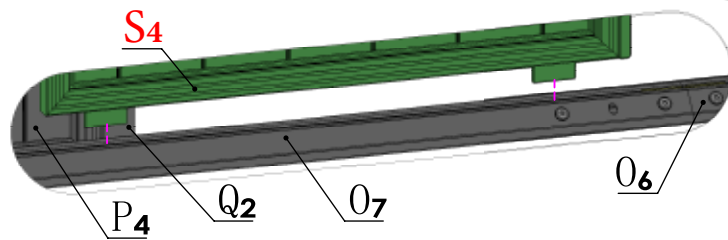
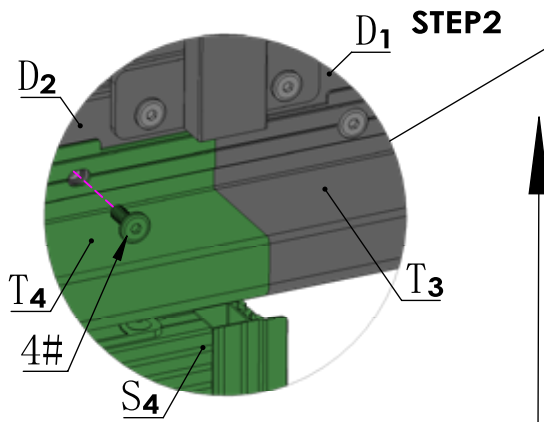
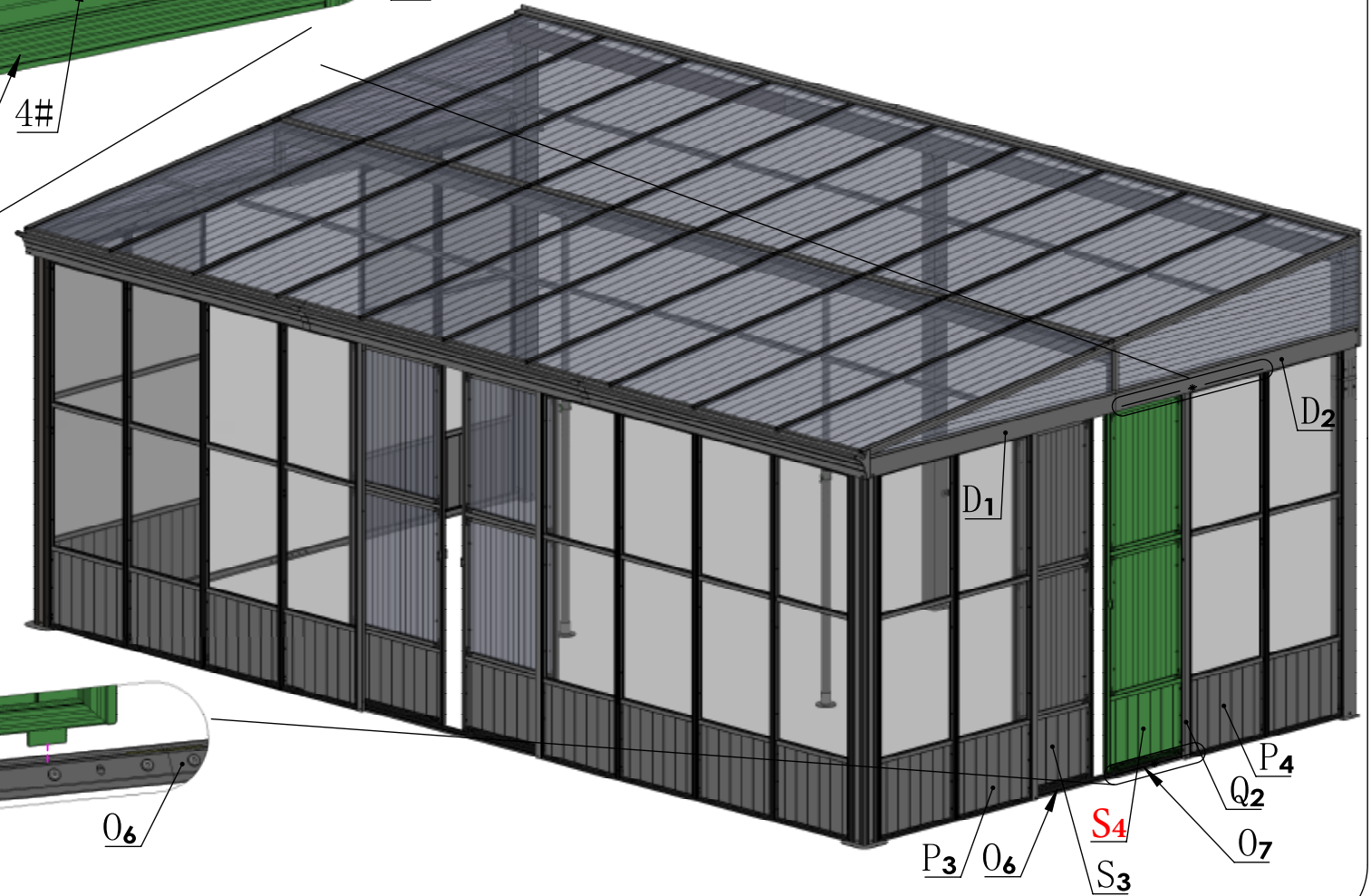
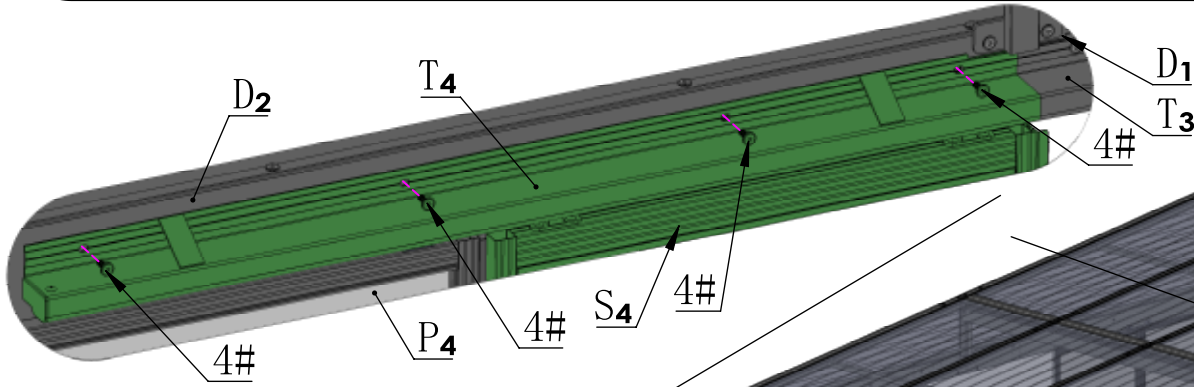
M6*16

4# 4X

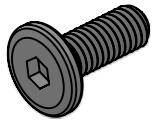


S4

16# 1X

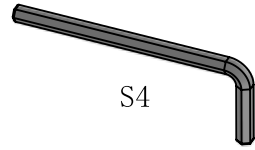


STEP 1



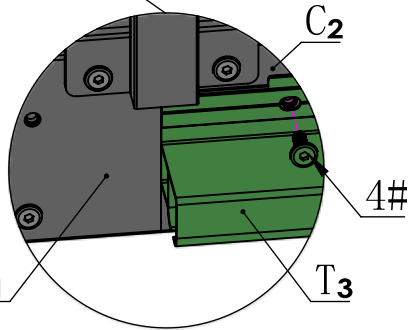
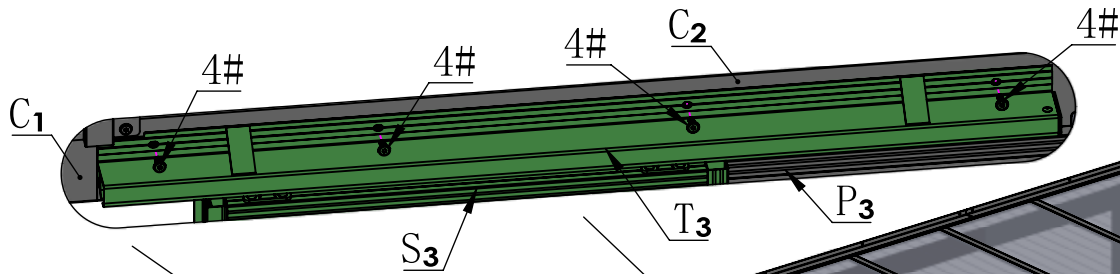
M6*16

4# 4X

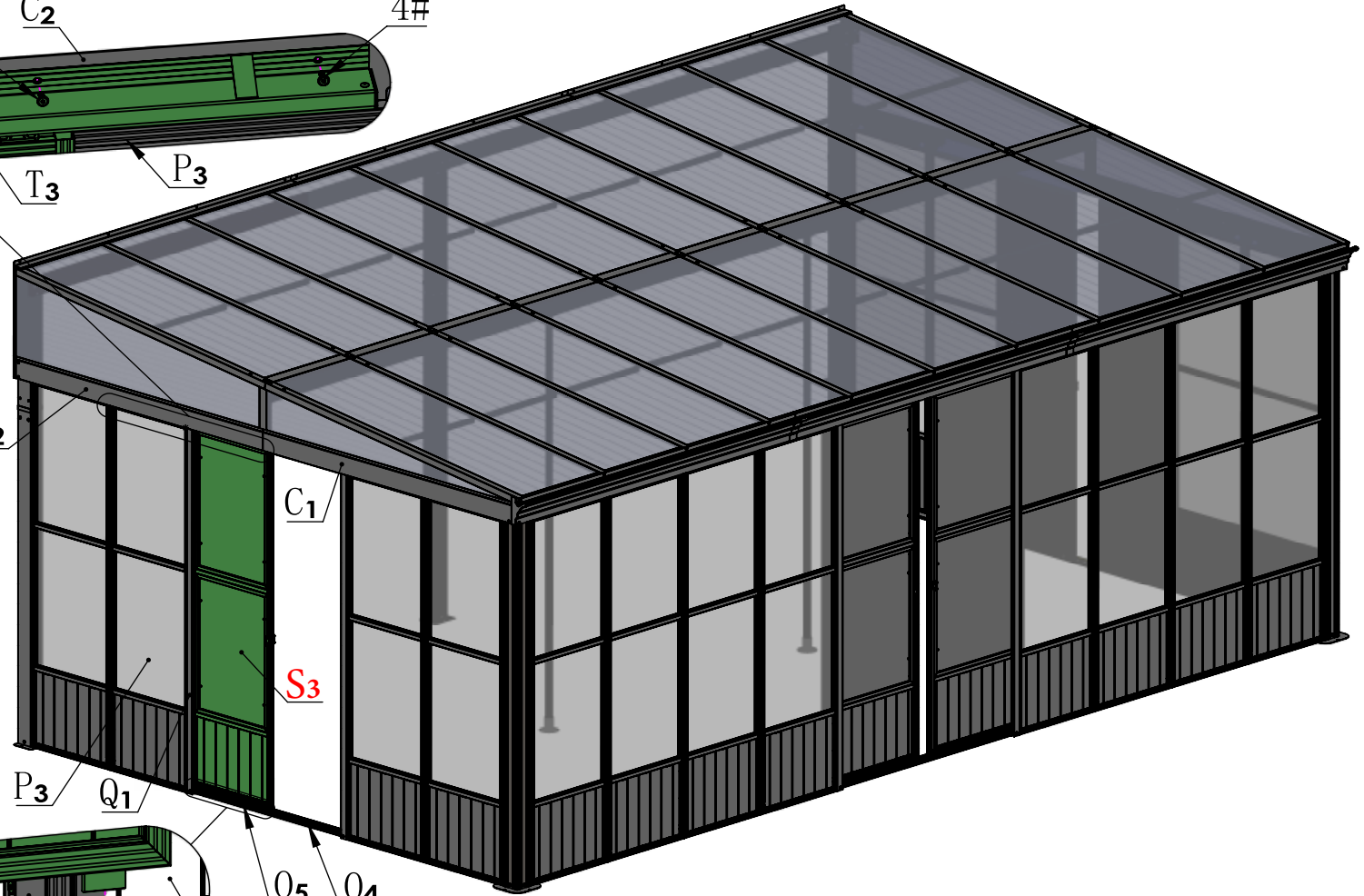
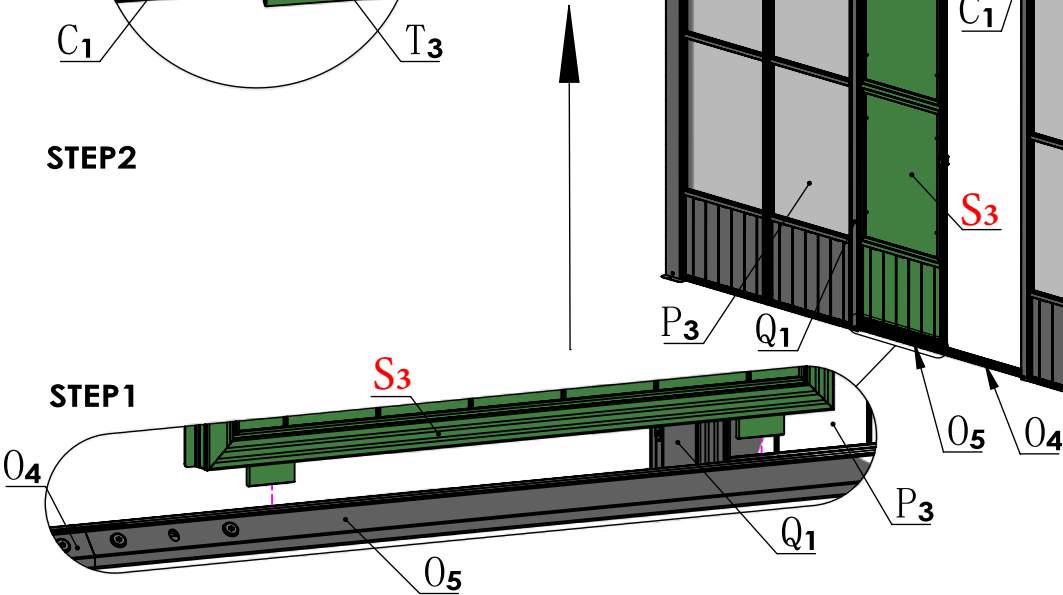


S4

16# 1X



STEP2





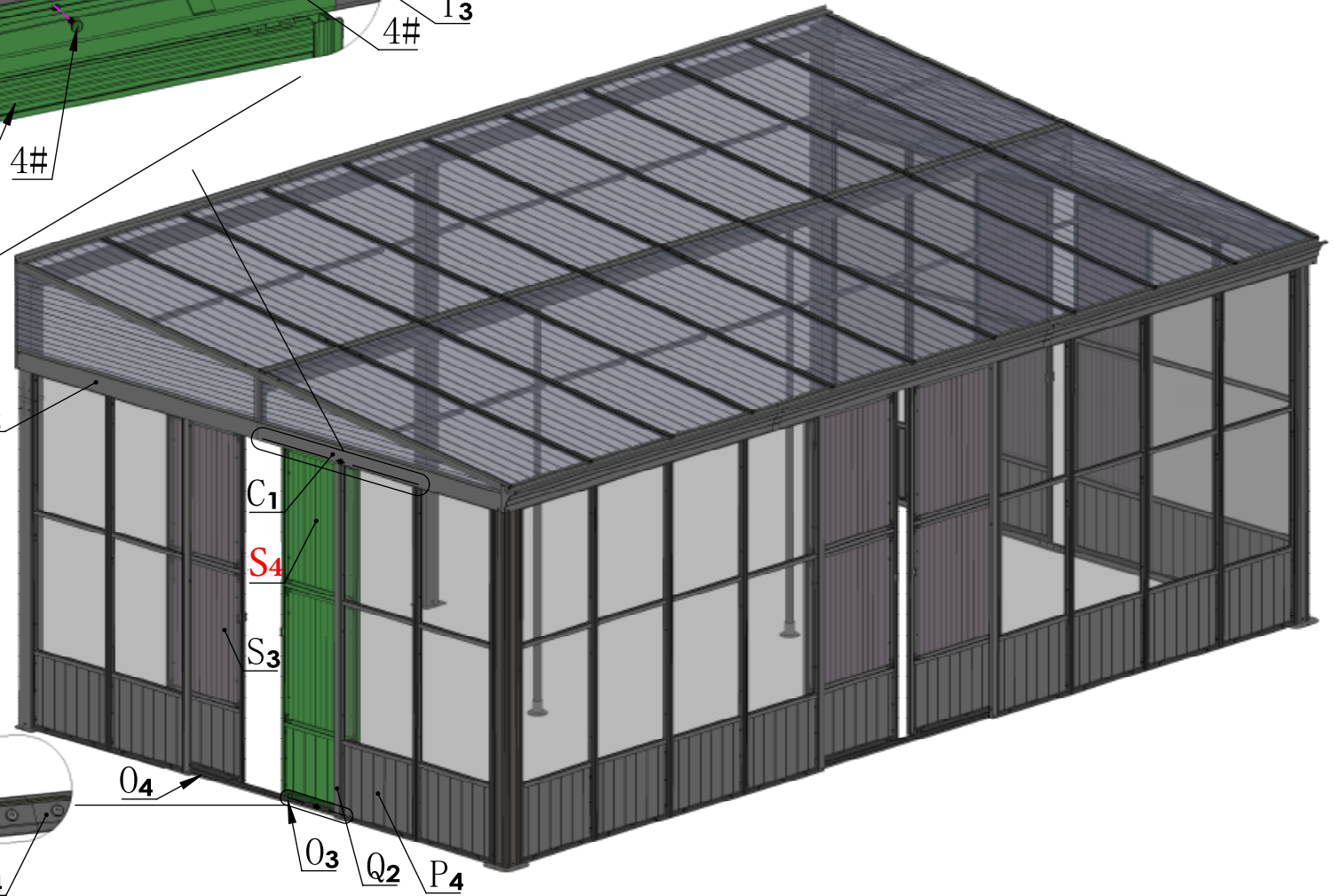
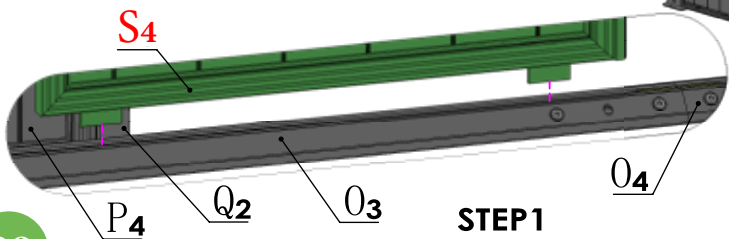
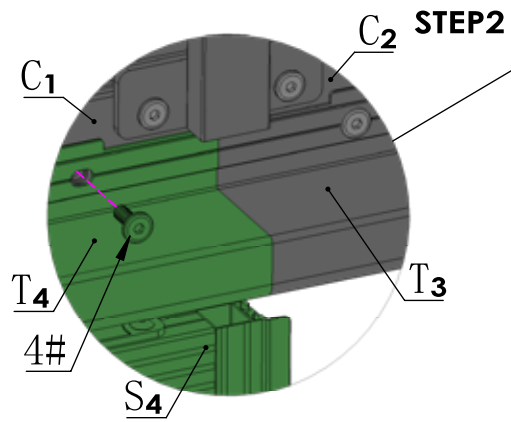
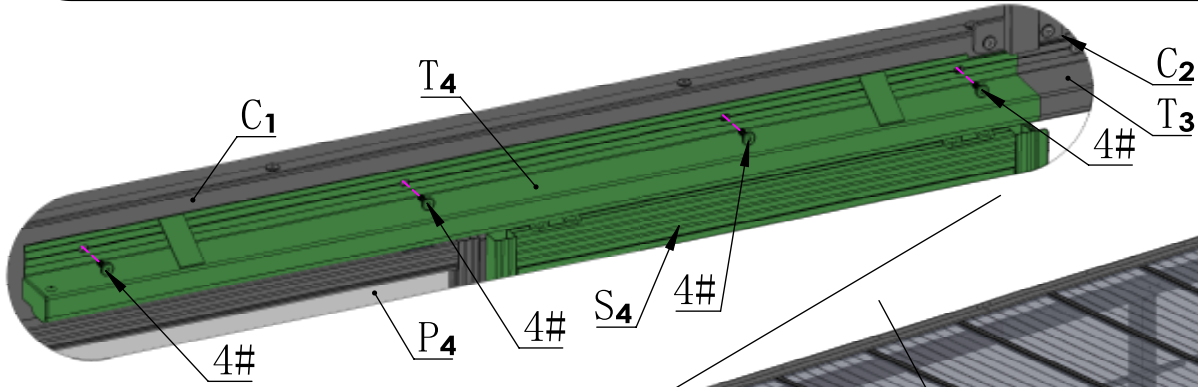
M6*16

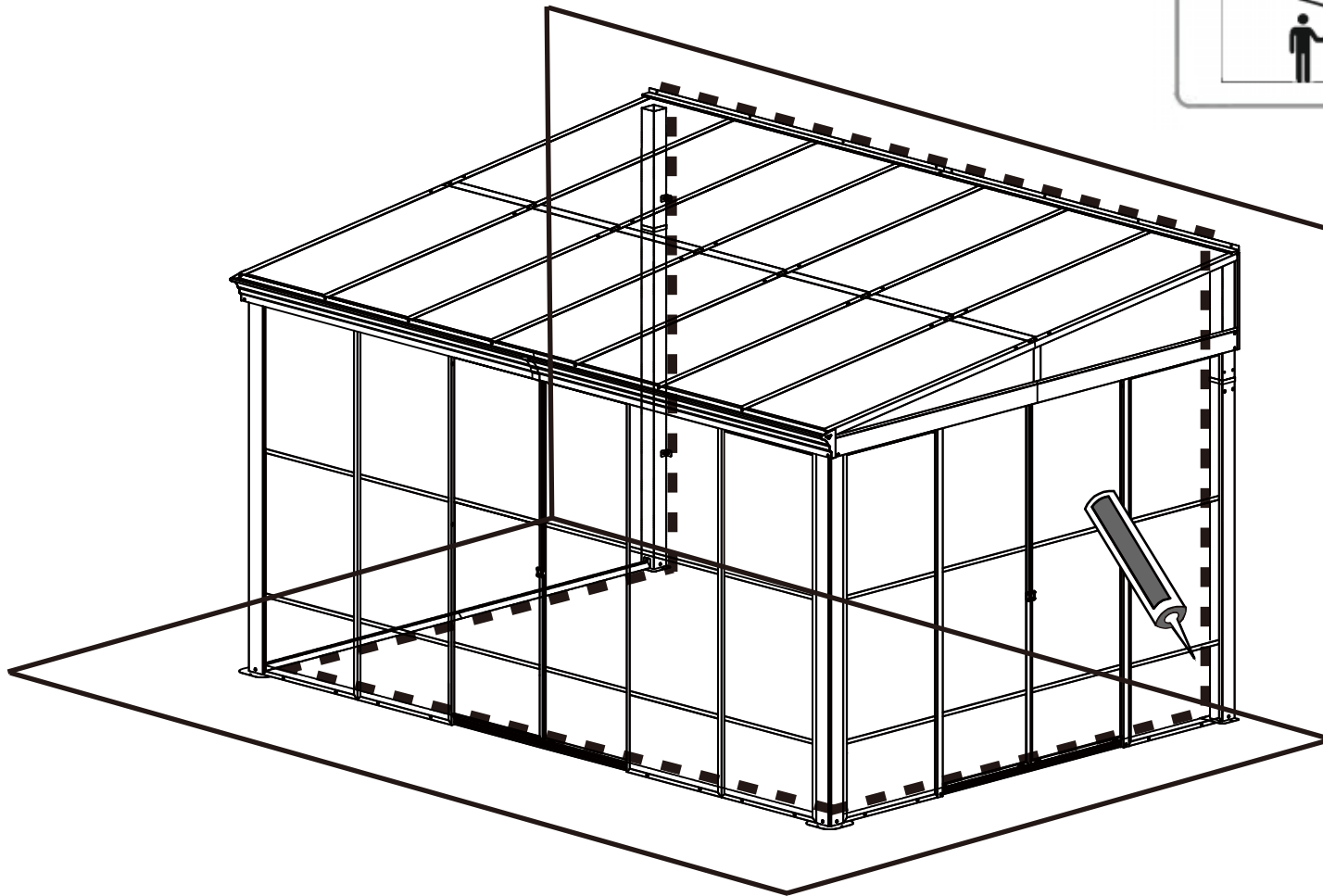
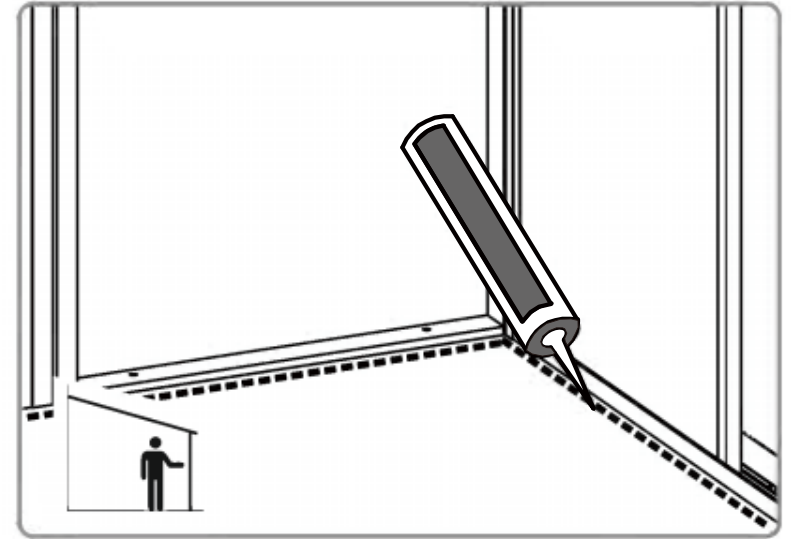
4# 4X



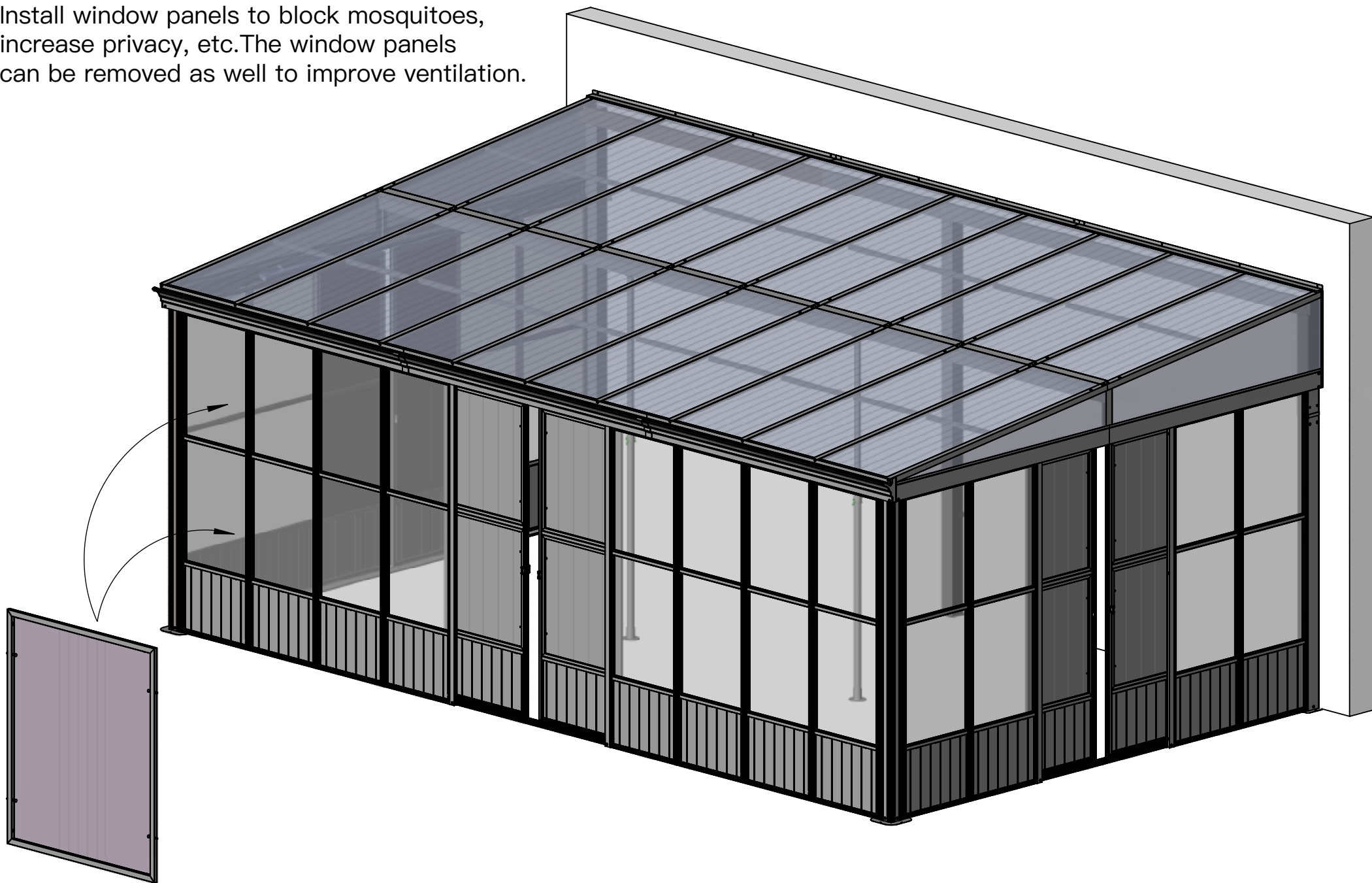
S4

16# 1X





Install window panels to block mosquitoes, increase privacy, etc. The window panels can be removed as well to improve ventilation.



Care and Cleaning

Wash frame part with mild soap and water, rinse thoroughly.

Do not use bleach, or other solvents on the frame parts.

Please check periodically that the sunroom is anchored properly to the floor or ground to enjoy its safe usage.

Please check periodically that all screws are tight to maintain the solidity of the structure.

Please remove any snow accumulation at all times.

Warranty

Frames

Frames constructions are warranted to be free from defects in material and workmanship for 1 year from item purchased. Damage to frame from negligence won't be covered by this warranty.

Bolts & nuts

Bolts and nuts are warranted to be free from defects in material and workmanship for 1 year from item purchased. Damage from exposure to chemicals (including not only oils ,spills, fluids) won't be covered by this warranty.

Warranty Limitation

This warranty is for the original purchase order only. (Order number required). This warranty is non-transferable. Domi outdoor living is responsible for the free replacement part including shipping charges for the 1 year warranty.

Warranty Exclusion

This warranty does not cover products subject to negligence, abuse usage, inappropriate installation. Domi outdoor living reserves the right to explain warranty exclusions. When the replacement item is applied, the 1 year warranty automatically expires. Please feel free to contact us for applying warranty.



RESORT COMFORT IN YONR
OWN BACKYARD

Support:



Business cooperation contact email:

marketing@domioutdoorliving.com

After-sales contact email:

service@domioutdoorliving.com

Please tell us your order ID when contact.

Attach photos of damaged part for instant reply.