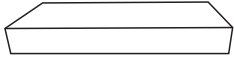
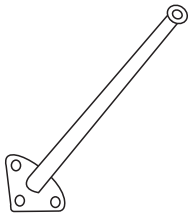


# ASSEMBLY INSTRUCTIONS

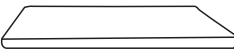
Ax1



Ex4



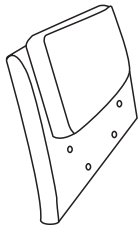
Bx1



Fx1



Cx1



Gx8



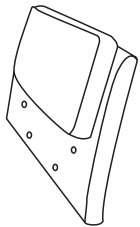
M8x50mm

Hx12



M6x20mm

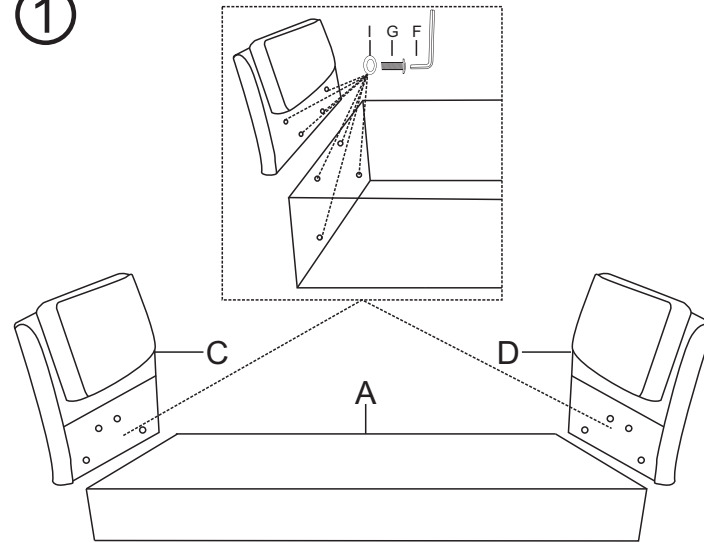
Dx1



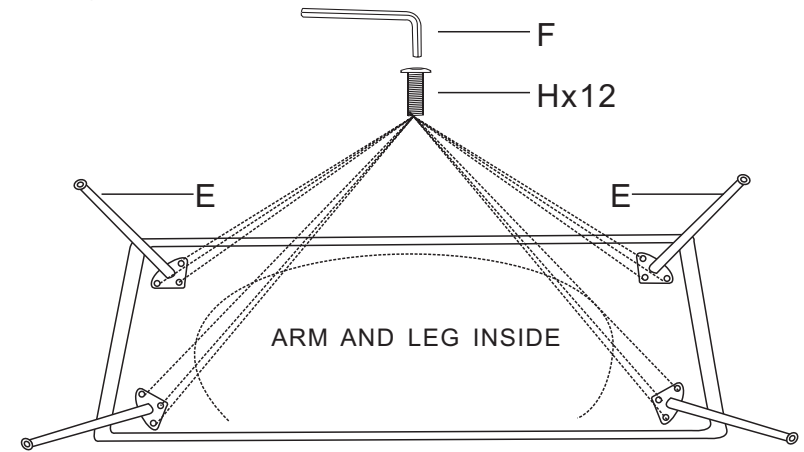
Ix8



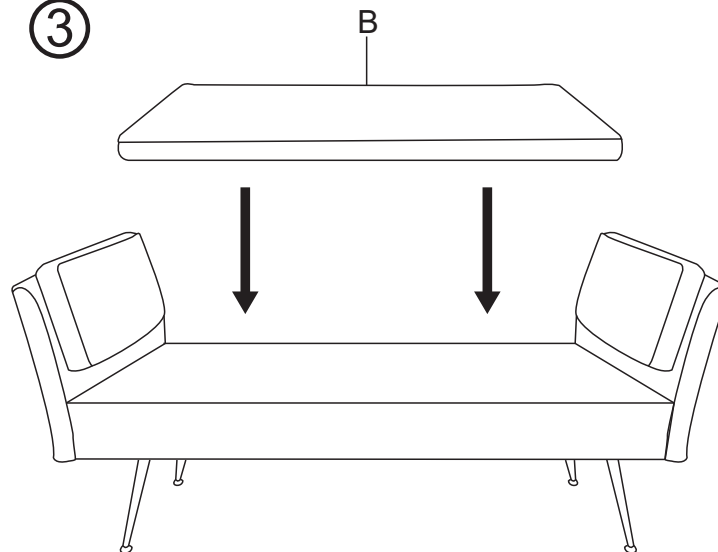
①



②



③



④

