



# PRE-ASSEMBLY

---

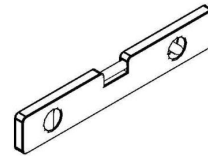
To ensure your installation goes smoothly, please read the following instructions carefully before your installation.

1. Removing your old vanity (if applicable). Turn off the electricity and water supply before you start. Then disconnect all lines to the sink and disconnect appliances.
2. Evening out walls and floor Flat, level surfaces are important. Unevenness can cause your vanity to become misaligned resulting in twisting of the cabinet. Repair any uneven areas by reducing high spots or shimming low spots.
3. Check all parts and review all tools (not included) make sure you have all prepared before your installation.

## TOOLS REQUIRED ( Not included )

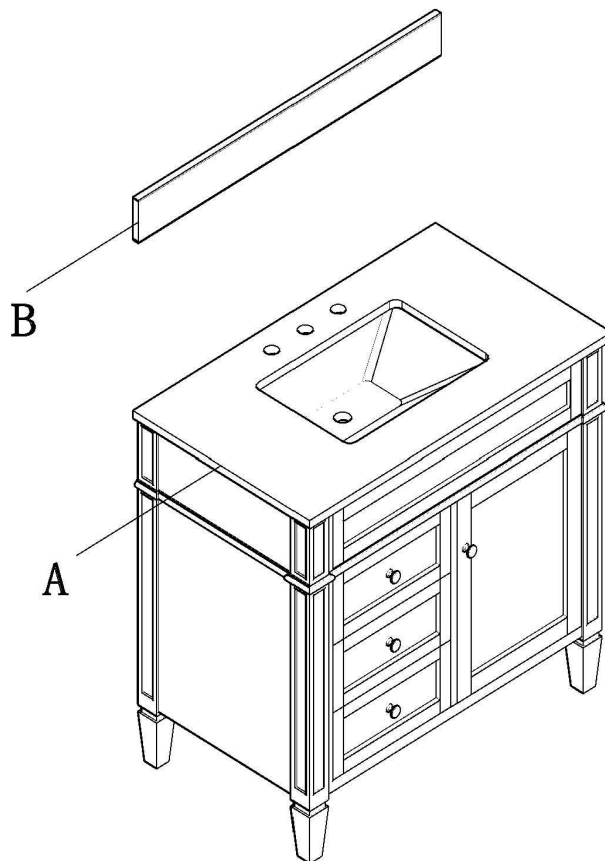


Sealant



Level

## PACKAGE CONTENTS

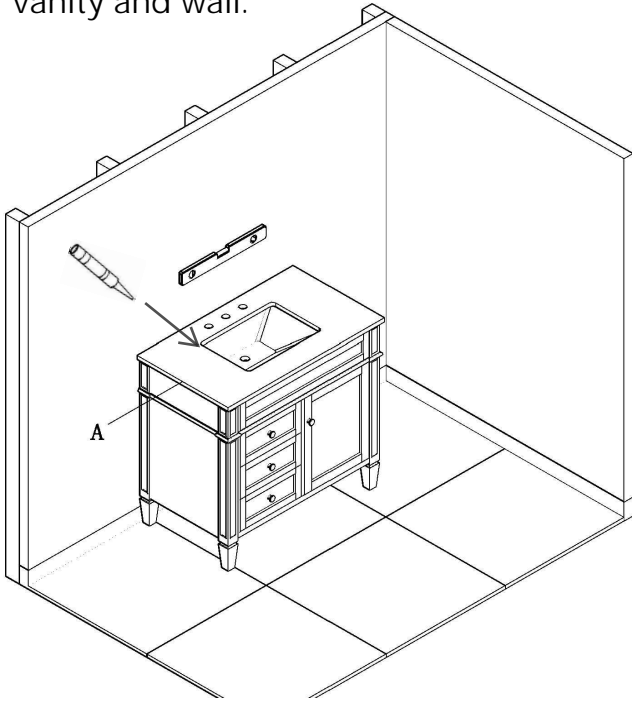


Part	Description	Quantity
A	Vanity with top	1
B	Backsplash	1

# ASSEMBLY

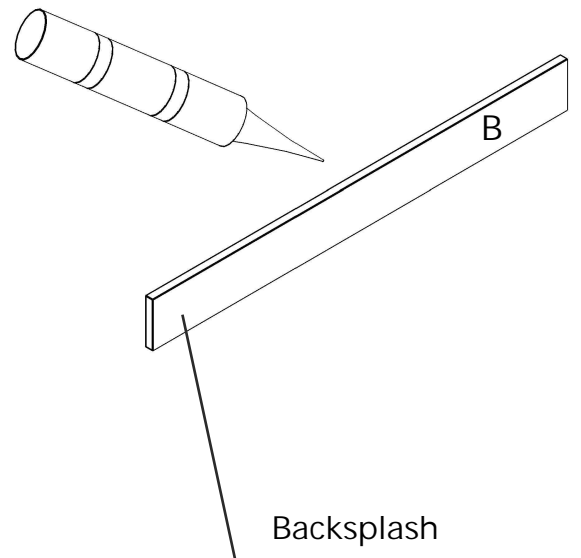
## 1. Position vanity

- \* Place the vanity in the position.
- \* Make sure the vanity top is flush against the wall.
- \* Adjust the leg levelers so the vanity ensures its leveled.
- \* Apply sanitary silicone sealant between vanity and wall.



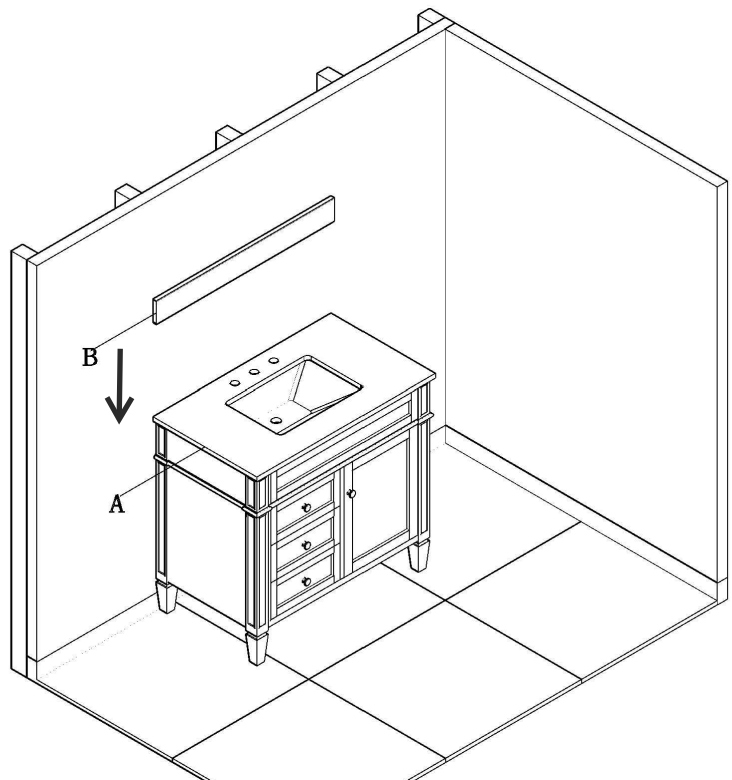
## 2. Apply backsplash sealant

- \* Clear backsplash of all debris before applying clear silicon sealant.
- \* Ensure to apply the sealant on the rough edge and smooth face is facing the front.



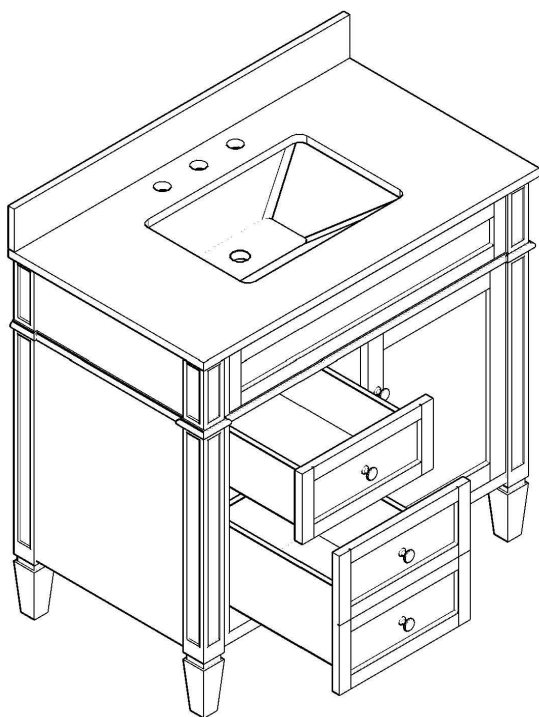
## 3. Install the backsplash

- \* Set unpolished bottom edge of backsplash on the vanity countertop.
- \* press gently against wall and down on the top.
- \* Remove any excess sealant from the wall and the vanity top.
- \* Let it sit and dry for 24 hours.



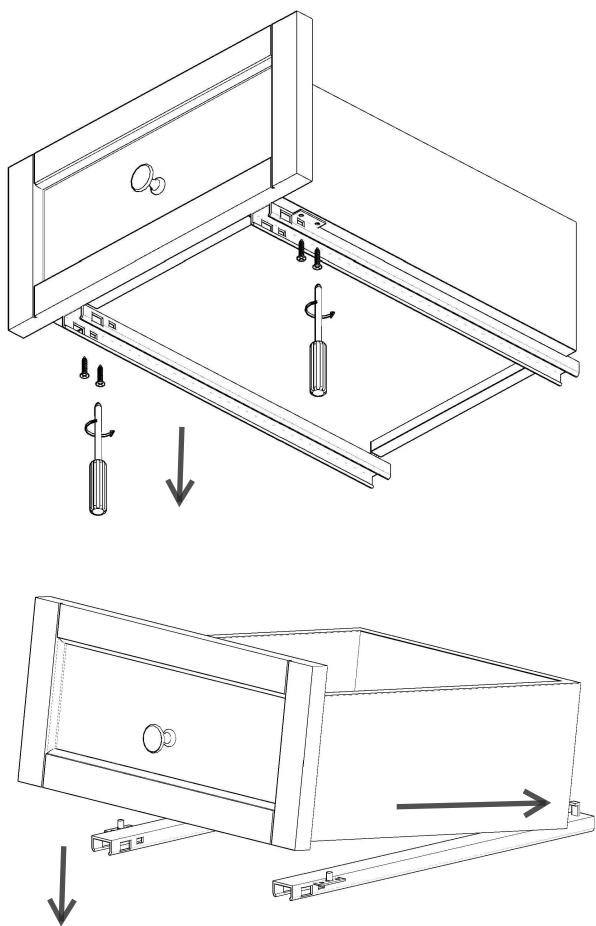
A

DRAWER REMOVAL AND RE-INSTALLATION INSTRUCTIONS



B

REMOVAL



C

RE-INSTALLATION

