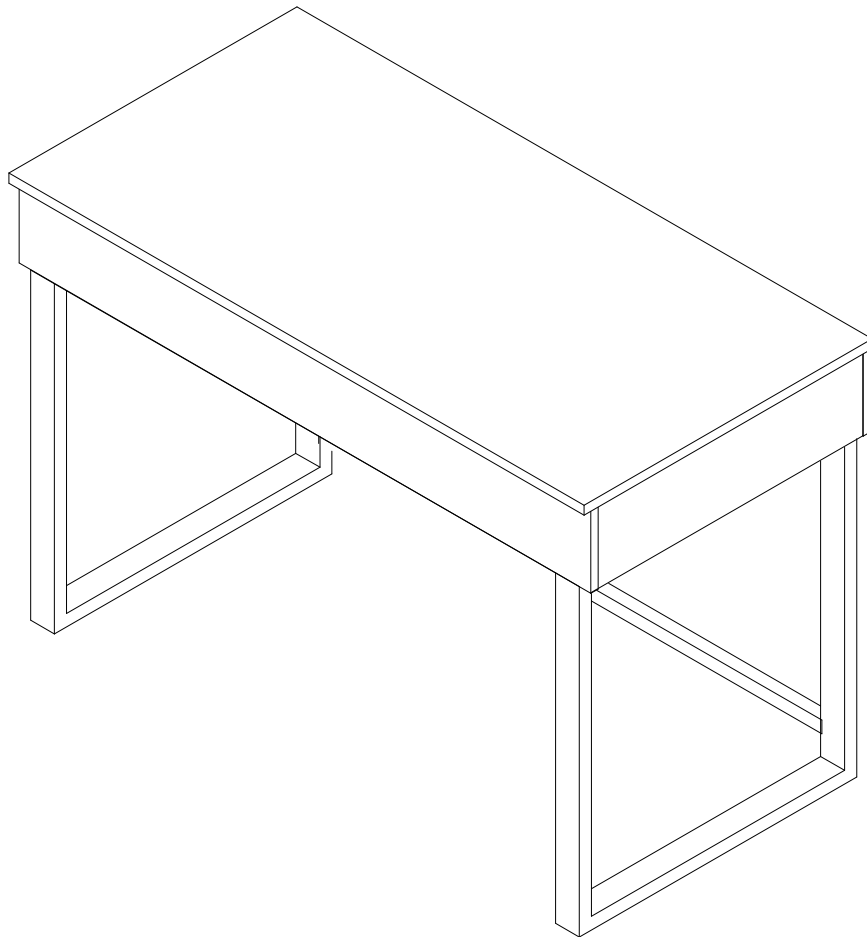


HO0162A0TX/HO0162B0TX Inman Adjustable Height Desk Assembly Instructions



Southern
ENTERPRISES

For assistance with assembly contact:
Southern Enterprises Inc.
Customer Service 1-800-633-5096
service@seidal.com
www.seifurniturestore.com

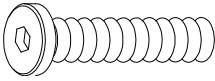
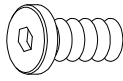
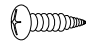
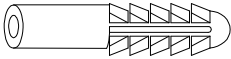

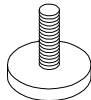

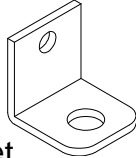

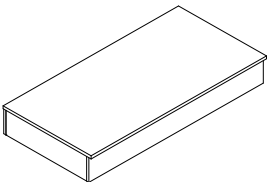
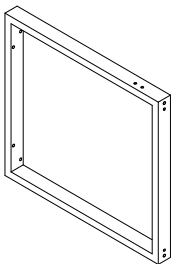
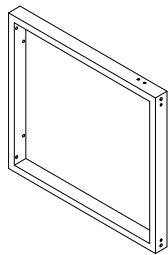
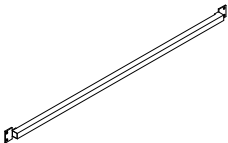


Please do not load more than 30 lb. when desktop is fully raised.

Inman Adjustable Height Desk

Parts List

Please check packaging for all parts and hardware before discarding. Unpack and lay parts on clean, padded surface like carpet or a blanket. Check that you have all parts indicated. Call customer service if any hardware is missing. Before beginning assembly, carefully study the diagrams below and sort your hardware according to the pictures. Using the incorrect hardware will cause damage.

<p>A.</p>  <p>Bolt 1/4"x1-1/4"L</p>	<p>Quantity of 8</p>	<p>B.</p>  <p>Bolt 1/4"x1/2"L</p>	<p>Quantity of 4</p>	<p>C.</p>  <p>Screw Φ4.0x5/8"L</p>	<p>Quantity of 2</p>
<p>D.</p>  <p>Anchor</p>	<p>Quantity of 2</p>	<p>E.</p>  <p>Screw Φ4.0x1-1/4"L</p>	<p>Quantity of 2</p>	<p>F.</p>  <p>Adjustable level</p>	<p>Quantity of 4</p>
<p>G</p>  <p>Allen Wrench</p>	<p>Quantity of 1</p>	<p>H</p>  <p>Bracket</p>	<p>Quantity of 4</p>	<p>I</p>  <p>Plastic Strap</p>	<p>Quantity of 2</p>
<p>1</p>  <p>Desktop</p>	<p>Quantity of 1</p>	<p>2</p>  <p>Side Leg Left</p>	<p>Quantity of 1</p>	<p>3</p>  <p>Side Leg Right</p>	<p>Quantity of 1</p>
<p>4</p>  <p>Cross Bar</p>	<p>Quantity of 1</p>				

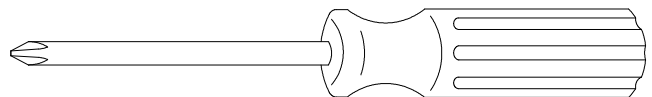
Care and Cleaning Instructions:

Before using, wipe with a clean, dry cloth.
 Avoid rubbing or scratching the surface with rough or abrasive objects.

For replacement parts or questions, please call SEI customer service at 1-800-633-5096.

Assembly Tools Required:

No.2 Phillips Screwdriver, Hammer, Power Drill
 (Not Included)



Inman Adjustable Height Desk Assembly Instructions

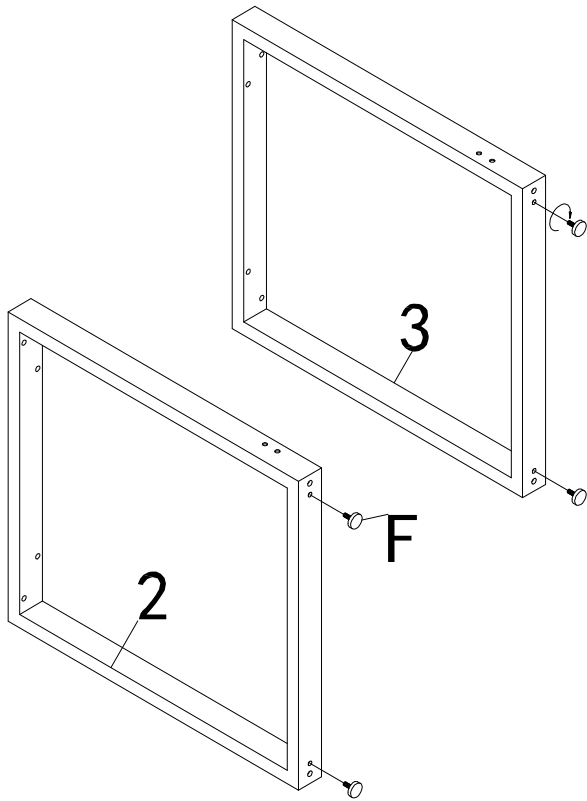


Figure 1

Attach Adjustable Levels (**F**)
to Side Legs (**2/3**) by hand.

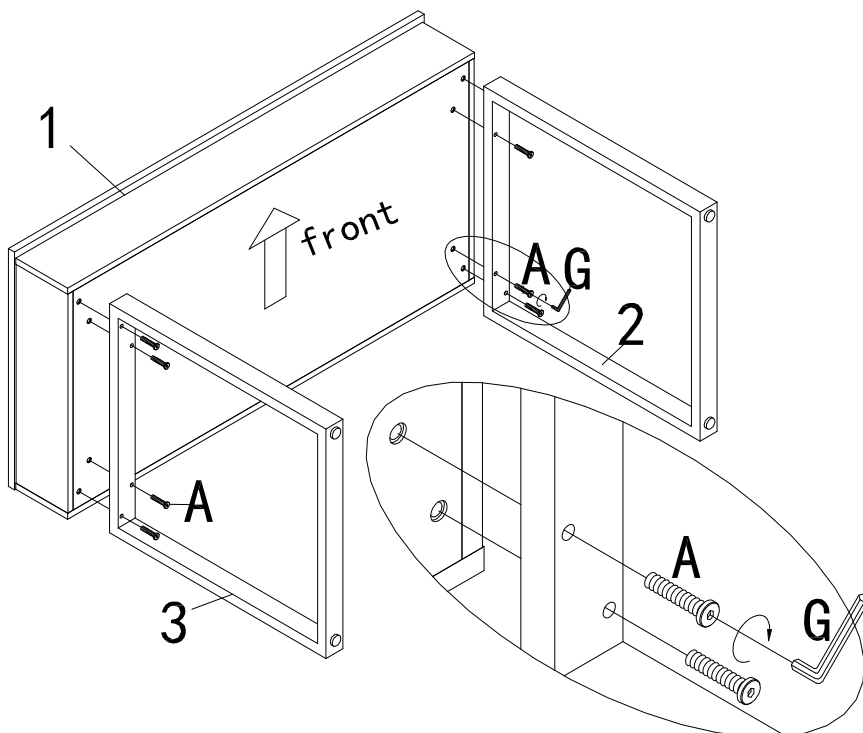
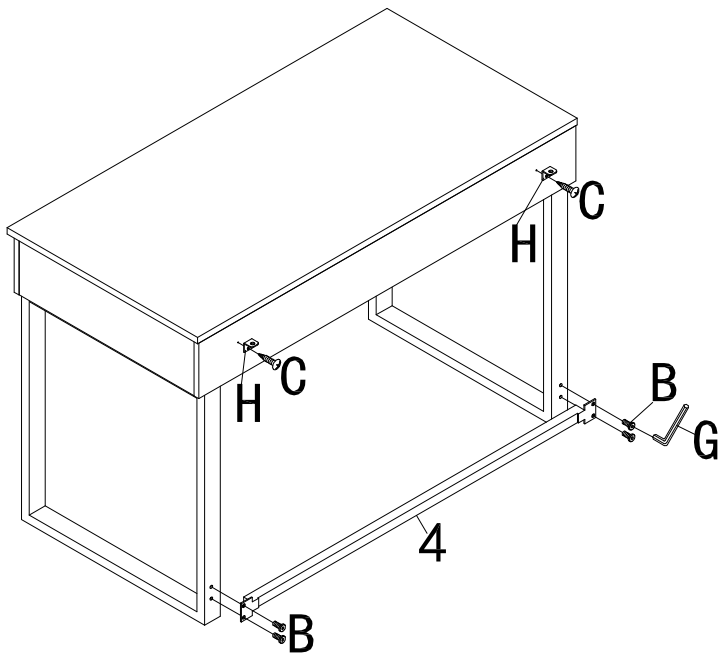


Figure 2

Attach Legs (**2/3**) to Desktop
(**1**) with Bolts (**A**).
Tighten Bolts (**A**) with Allen
Wrench (**G**).



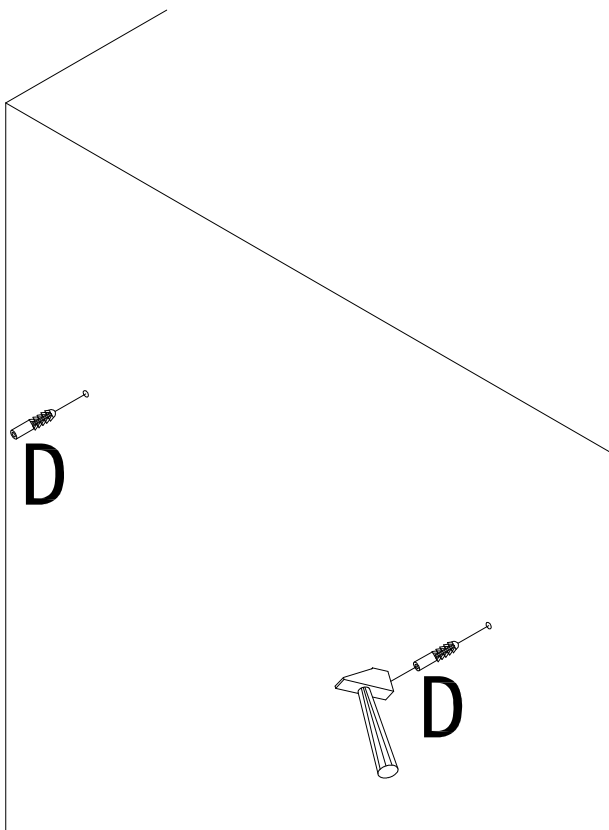
Attach Cross Bar (4) to pre-assembled unit from Figure 2 with Bolts (B) .

Tighten Bolts (B) with Allen Wrench (G).

Attach Brackets (H) to the Desktop (1) with Screws (C).

Tighten screw with Phillips screwdriver (not included).

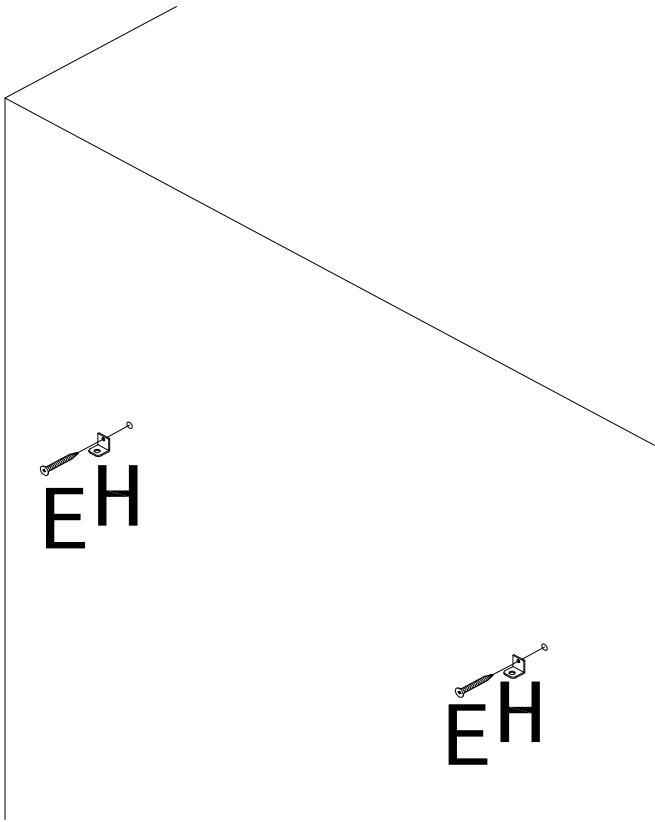
Figure 3



Mark two desired locations on the wall and drill two 3/16" holes.

Insert plastic Anchors (D) into the holes on wall, tap lightly with a hammer (not included) as needed.

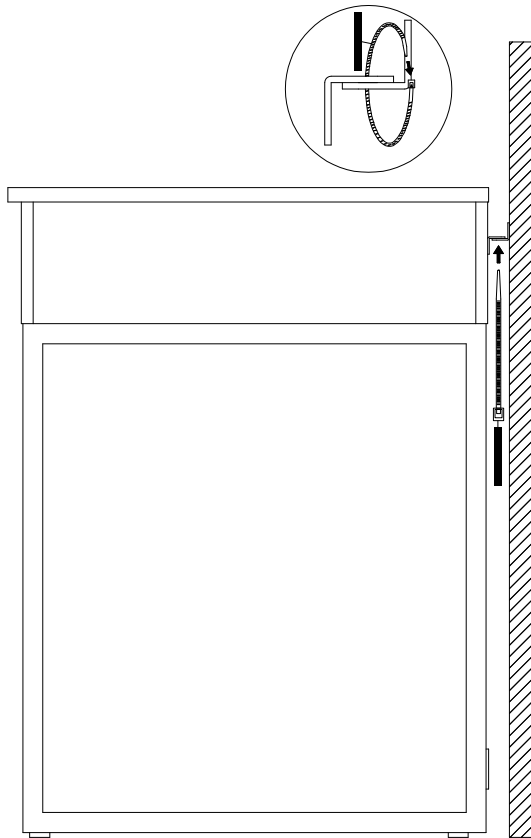
Figure 4



Attach the Brackets (**H**) to the wall using Screws (**E**).

Tighten Screws (**E**) using Philips screwdriver (not included).

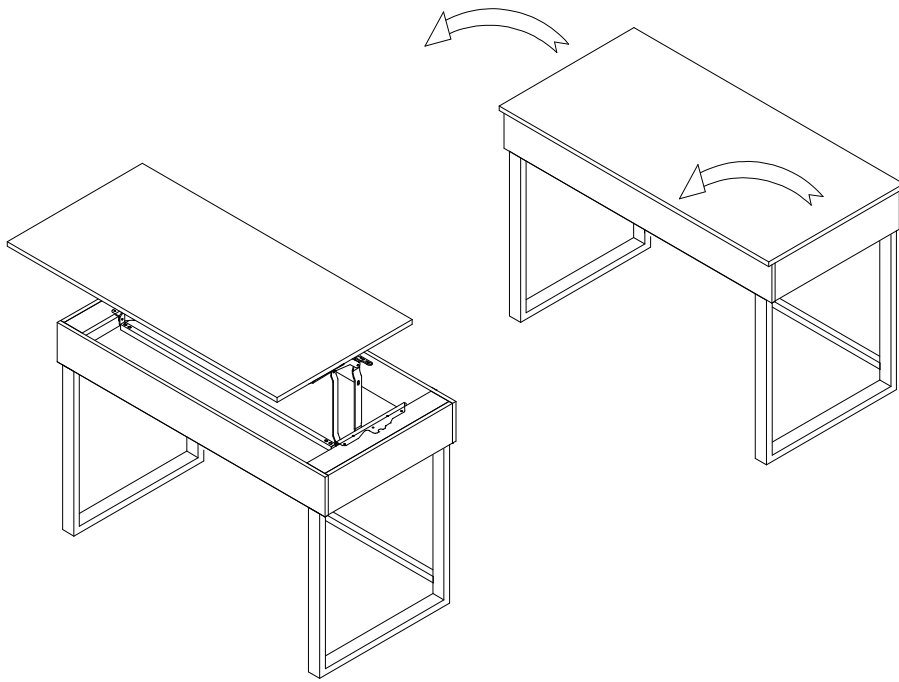
Figure 5



Move this item close to the wall and tie brackets (**H**) together with Plastic Straps (**I**).

Note: Anti-tipping hardware must be used for this product to avoid tipping and injury.

Figure 6

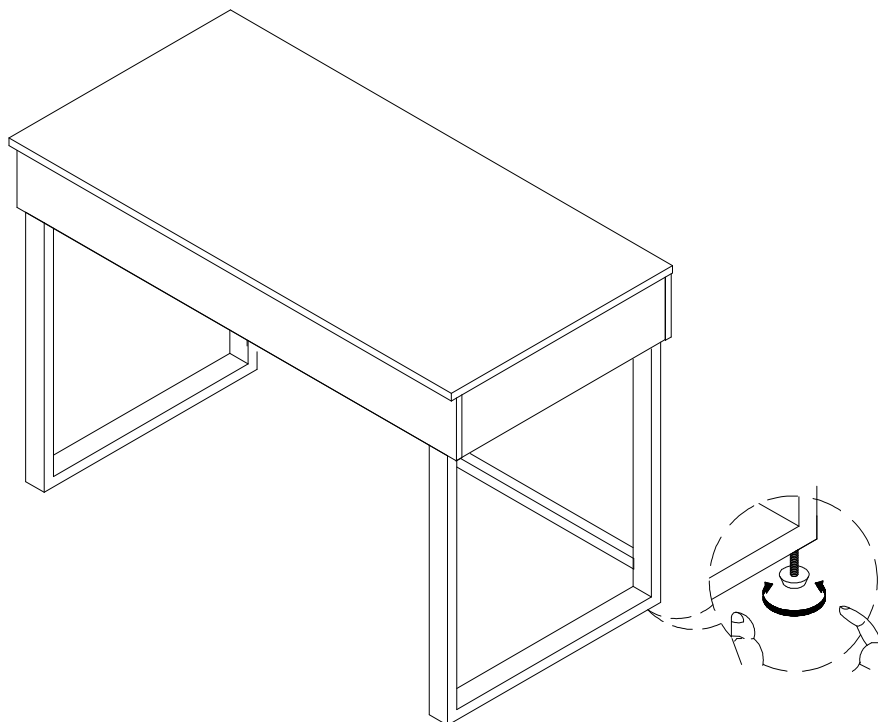


Now your Inman Adjustable Height Desk is ready to use!

To open top, simply pull up. Guide back down to close.

The top can be adjusted to four different heights.

Figure 7



If the Desk is not level, adjust the adjustable foot pad by hand.

Figure 8

Parts Replacement Form

Customer Information

Name _____

Address _____

City/State/Zip Code _____

Phone Number _____

Please indicate where you purchased this item: Store/Website/Catalog

Please indicate color/size/style number:

Style No	Parts Letter	Parts Description	Quantity Needed
_____	_____	_____	_____
_____	_____	_____	_____
_____	_____	_____	_____

Please immediately examine this product carefully. Any request for missing parts or damage replacement must be received within 90 days of your receipt of the product. Replacement, if available, will be honored within this time frame. Parts will not be available for items arriving fully assembled. We do not recommend modifying product(s) and we are not responsible for any damages due to product modification(s). If damages or missing parts are not reported within 90 days of your receipt, we are under no obligation to provide parts or replacement merchandise. Please contact Southern Enterprises at 800-633-5096 or in Dallas 972-869-0111/ 9am – 4pm Mon-Fri Central time if you have product issues or email us at service@seidal.com. Please ask for customer service representative for issues involving damages or replacement parts. Please ask for technical assistance representative for any issues with product and assembly/construction.

Please contact the retailer that you purchased from for returns.



Southern
ENTERPRISES

Customer Service 1-800-633-5096
service@seidal.com
Southern Enterprises, Inc.
600 Freeport Parkway, Suite 200
Coppell, Texas 75019