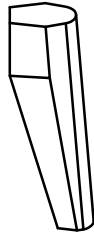
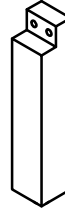


A: Seat x1



B: Leg x4



B: Leg x2



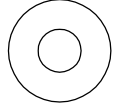
H: Allen key x1



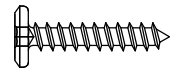
D: Bolt M6*60mm x8



E: Spring washer x8

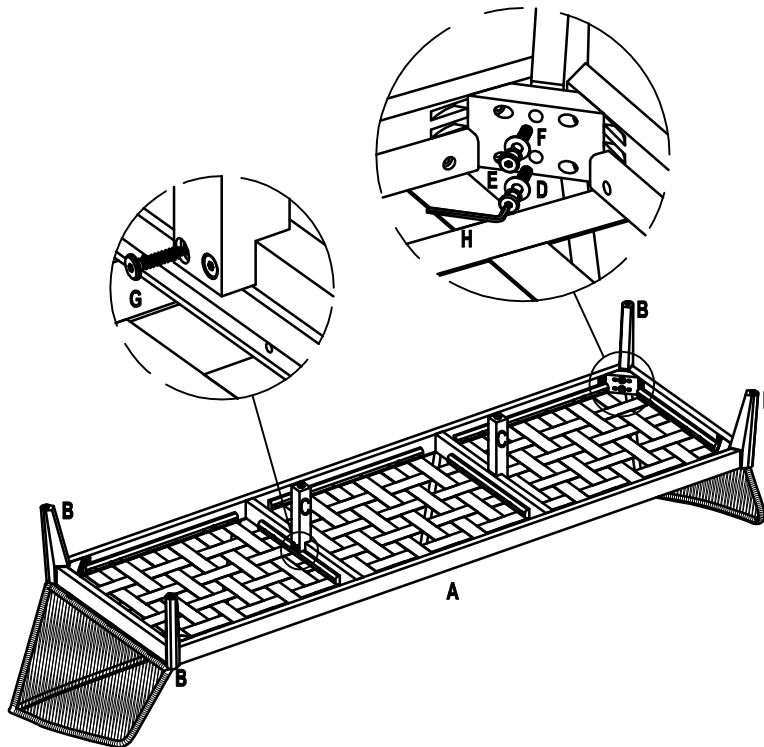


F: Washer x8



G: Screw Ø6*35mm x4

STEP 1



STEP 2

