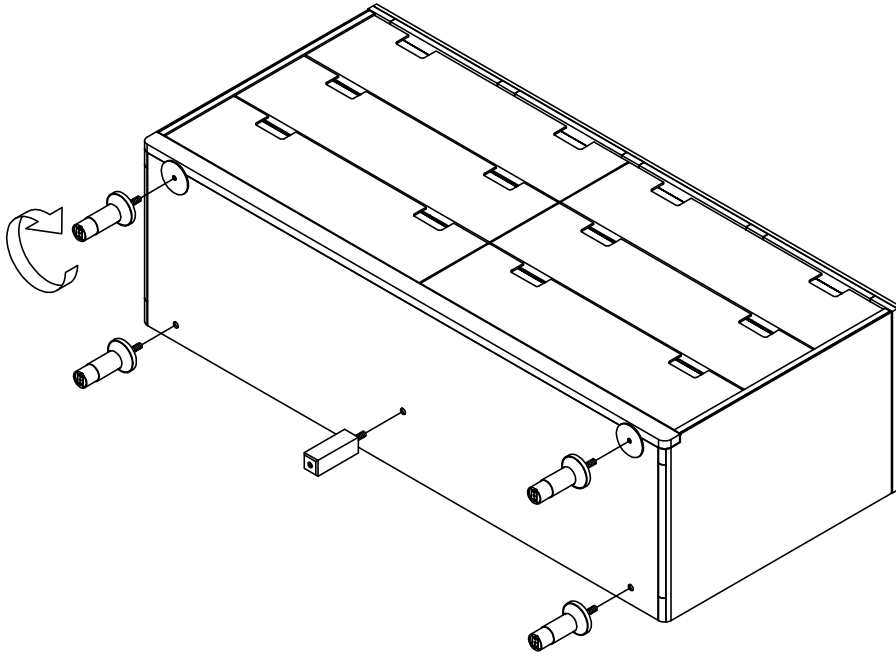


# DRESSER

## Assembly Instruction

STEP 1



FINISH

