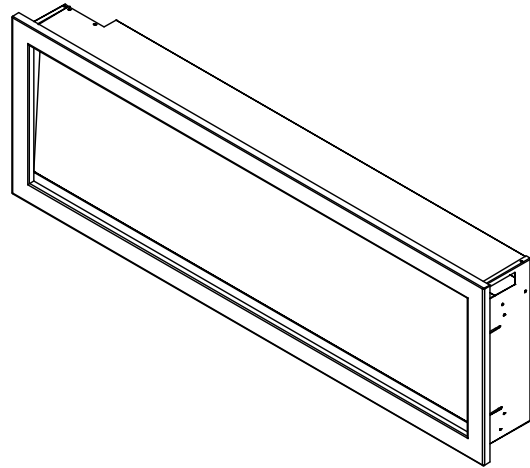


INSTALLATION AND OPERATION INSTRUCTIONS FOR



SAFETY INFORMATION

 **WARNING**

If the information in these instructions are not followed exactly, a fire or explosion may result causing property damage, personal injury or loss of life.

Do not store or use gasoline or other flammable vapors and liquids in the vicinity of this or any other

INSTALLER: LEAVE THIS MANUAL WITH THE APPLIANCE.

CONSUMER: RETAIN THIS MANUAL FOR FUTURE REFERENCE.



WARNING: This product can expose you to chemicals including Lead in the wiring, which is [are] known to the State of California to cause birth defects or other reproductive harm. For more information visit: www.p65warnings.ca.gov

TABLE OF CONTENTS

Please read and carefully follow all of the instruction found in this manual. Please pay special attention to the safety instructions provided in this manual. The instructions included here will assure that you have many years of dependable and enjoyable service from your product.

IMPORTANT INSTRUCTIONS	3
UNPACKING AND TESTING APPLIANCE	6
GROUNDING APPLIANCE	6
LOCATING THE FIREPLACE	6
BATHROOM USE	14
OUTDOOR INSTALLATIONS	15
INSTALLATION-WALL MOUNT	16
INSTALLATION- BUILT-IN	17
INSTALLATION- SEMI-FLUSH BUILT-IN	21
HARD-WIRE INSTALLATION	25
MEDIA OPTIONS	26
DECORATIVE MEDIA INSTALLATION	26
OPERATION	27
MANUAL OPERATION	27
REMOTE CONTROL OPERATION	28
INSTALLING WALL THERMOSTAT	29
REPLACEMENT PARTS	30
EXPLODED VIEW	32
TRUBLE SHOOTING	33
SERVICE HISTORY	34
WARRANTY	35

IMPORTANT INSTRUCTIONS

1. Read all instructions before installing or using this heater.
2. Keep combustible materials such as furniture pillows bedding papers clothes and curtains at least 1 feet from the front sides and rear of the heater.
- ! . Always unplug heater when not in use.
- " . #o not operate the fireplace if it has a damaged cord or plug after it has malfunctioned or if the unit has been dropped or damaged in any way.
- \$. #o not run the cord under carpeting. #o not cover the cord with throw rugs runners or anything else. Arrange the cord away from traffic areas where it could not be tripped over.
- % To disconnect the heater turn the controls to & ((&before removing the plug from the outlet.
-) . #o not insert or allow foreign objects to enter any ventilation or e*haust opening as this may cause an electric choc+ fire or damage to the heater.
- , . To prevent a possible fire do not bloc+ air inta+es in any manner.
- . A heater has hot and arcing or spar+ing parts inside. #o not use it in areas where gasoline paint or flammable li. uids are used or stored.
- 1/ . Use this heater only as described in this manual. Any other use not recommended by the manufacturer may cause fire electric choc+ or injury.
11. Avoid the use of an e*tension cord the e*tension cord will overheat and cause a fire. This heater is not to be used with an e*tension cord.
12. Always use properly grounded fused and polari1ed outlets.
- 1! . Always use ground fault protection where it is re. uired by electrical codes.
- 1" . Always disconnect the power before performing any cleaning maintenance or relocation of the heater.
- 1\$. To prevent a possible fire do not burn wood or other materials in this heater.
- 1% To prevent electric choc+ or fire always use a certified electrician should new circuits or outlets be re. uired.
- 1) . 2 hen transporting or storing the heater +eep it in a dry place free from e*cessive vibration.
- 1, . This appliance should not be modified under any circumstances.
- 1- . Pac+aging material should be +ept away from children and be disposed of in a safe manner. Plastic bags are not toys and should be +ept away from children and infants.
- 2/ . #o not use this heater in small rooms when they are occupied by persons not capable of leaving the room on their own unless constant supervision is provided.
21. ¶ the glass is damaged do not use the heater in order to avoid a ha1ard.
22. #o not leave children unsupervised where heater is turned on.
- 2! . **CAUTION** 4ome parts of this product can become very hot and cause burns. Particular attention has to be given where children and vulnerable people are present.
- 2" . This appliance can be used by children aged from , years and above and persons with reduced physical sensory or mental capabilities or lac+ of e*perience and +nowledge if they have been given supervision or instruction concerning use of the

appliance in a safe way and understand the hazards involved. Children shall not play with the appliance. Cleaning and user maintenance shall not be made by children without supervision.

Cautions

#06	<ul style="list-style-type: none"> Always install the heater in accordance with this guide. If in doubt obtain expert advice.
	<ul style="list-style-type: none"> Always make sure the electrical socket is accessible and located adjacent to but not above the heater.
	<ul style="list-style-type: none"> Always disconnect the heater from the electrical supply before moving it or carrying out cleaning maintenance.
	<ul style="list-style-type: none"> Always make sure the heater is firmly secured to prevent it from being tipped over.
	<ul style="list-style-type: none"> Always use a fireguard when young children and infirm persons can come into contact with the heater.
#06s	<ul style="list-style-type: none"> Never leave children unsupervised in a room where the heater is on and unguarded.
	<ul style="list-style-type: none"> Never obstruct or cover the fan outlet or force items into heater openings.
	<ul style="list-style-type: none"> Never use aerosols or steam cleaners on or around the heater.
	<ul style="list-style-type: none"> Never route the mains supply cable under carpet etc.
	<ul style="list-style-type: none"> Never install the heater close to curtains or combustible materials.
	<ul style="list-style-type: none"> Never use the heater to dry clothes etc.
	<ul style="list-style-type: none"> Never sit or stand on the heater.
<ul style="list-style-type: none"> Never use with a timer or any other device that switches the fire on automatically. 	

UNPACKING AND TESTING APPLIANCE

Carefully remove the appliance from the box.

Prior to installing the appliance, test to make sure the appliance operates properly by plugging the power supply cord into a 120 volt grounded outlet.

Test all aspects of its operation (manual switches, remote and heater) to make sure all components are operating correctly.

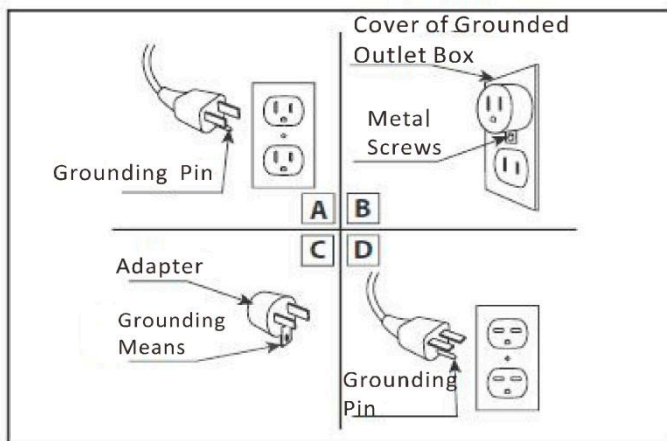
As with most electronic devices, your new electric fireplace has been designed to operate at temperatures between 50 °C (120 °F) and 100 °C (212 °F). During the cold winter months, allow the fireplace to reach room temperature before turning it on.

NOTE: There may be trace of odor during the first few minutes of initial use. This is harmless, normal and will never occur again.

GROUNDING APPLIANCE

This appliance is for use on 120 volts. The cord has a plug as shown in 9A. An adapter as shown in 9B is available for connecting three-blade grounding type plugs to two-slot receptacles. The green grounding lug extending from the adapter must be connected to a permanent ground such as a properly grounded outlet box. The adapter should not be used if a three-slot grounded receptacle is available.

To disconnect appliance, turn controls to off, then remove plug from outlet.



LOCATING THE FIREPLACE

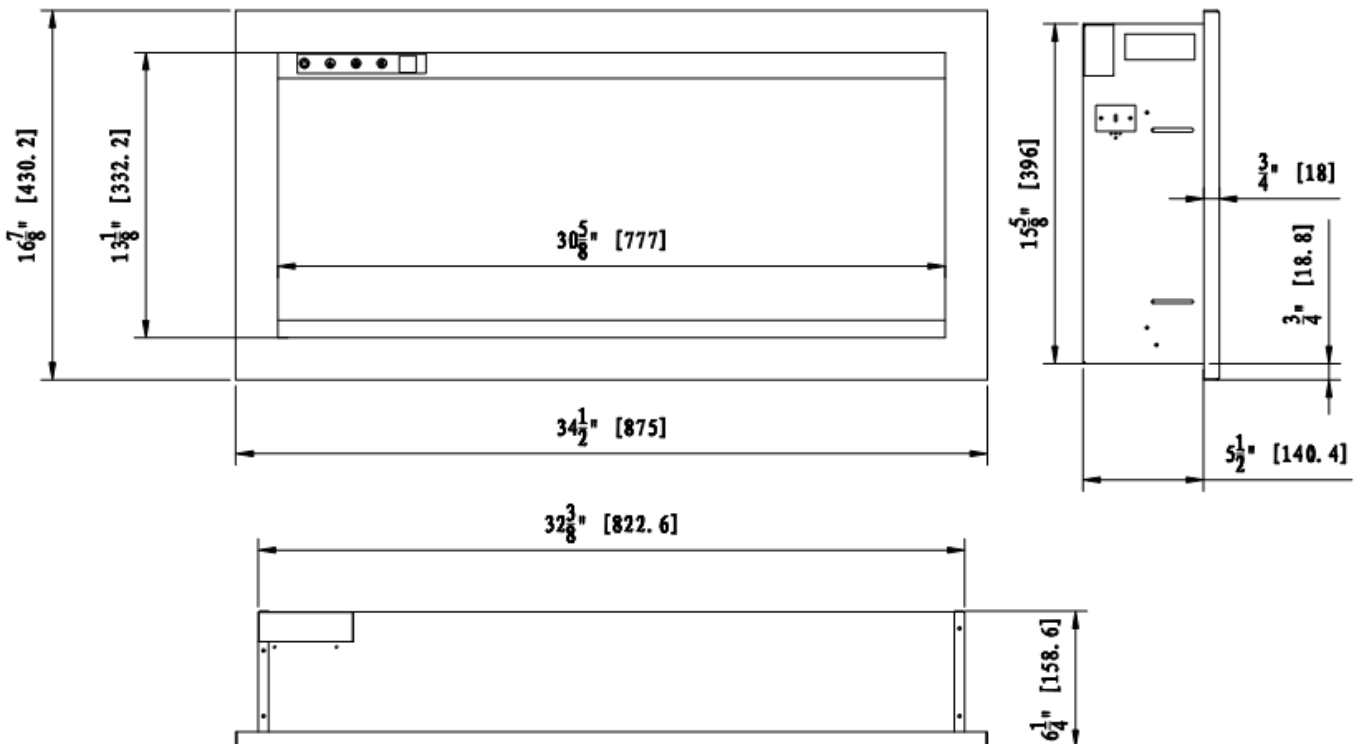
Plan where to locate and frame the fireplace. This will save time and money later when you install the fireplace. Before installation consider the following=

1. Where the fireplace is located must allow for wall and ceiling clearances
2. Consider a location where the fireplace screen will not be exposed to direct sunlight from windows or doors.
3. A 15 ampere 120 volt 1 branch circuit with proper ground must be available at the location. Preferably a dedicated branch circuit should be provided to avoid circuit breakers to trip or fuses to blow.

#escription	<uilt;in Appliance
8oltage	12/ 8 A5 % > 1
2 atts	1// / 2 @a*
7' >AATAR	! / 2 @a*
@ T' R >AATAR	1-2
Appliance 2 idth	! 2 ! B Cor , 2.! cm
Appliance >eight	1\$ \$B Cor ! - .%cm
Appliance # epth	\$ \$B Cor 1" .! cm
Dross 2 eight	\$) .! lbs or 2%+gs
Plug Eocation	Eeft side
5ord Eength) /) B Cor 1, / cm
Rough 2 all ' pening 4i1e	!! ! B C 1%Cor , " ., cmF " / .%cm
<T0	! " 12

This appliance has been tested in accordance with the O E 4tandard 2/ 21 for fi*ed and location dedicated electric room appliances in the O nited 4tates and 5anada. 3 you need assistance during installation please contact your local dealer.

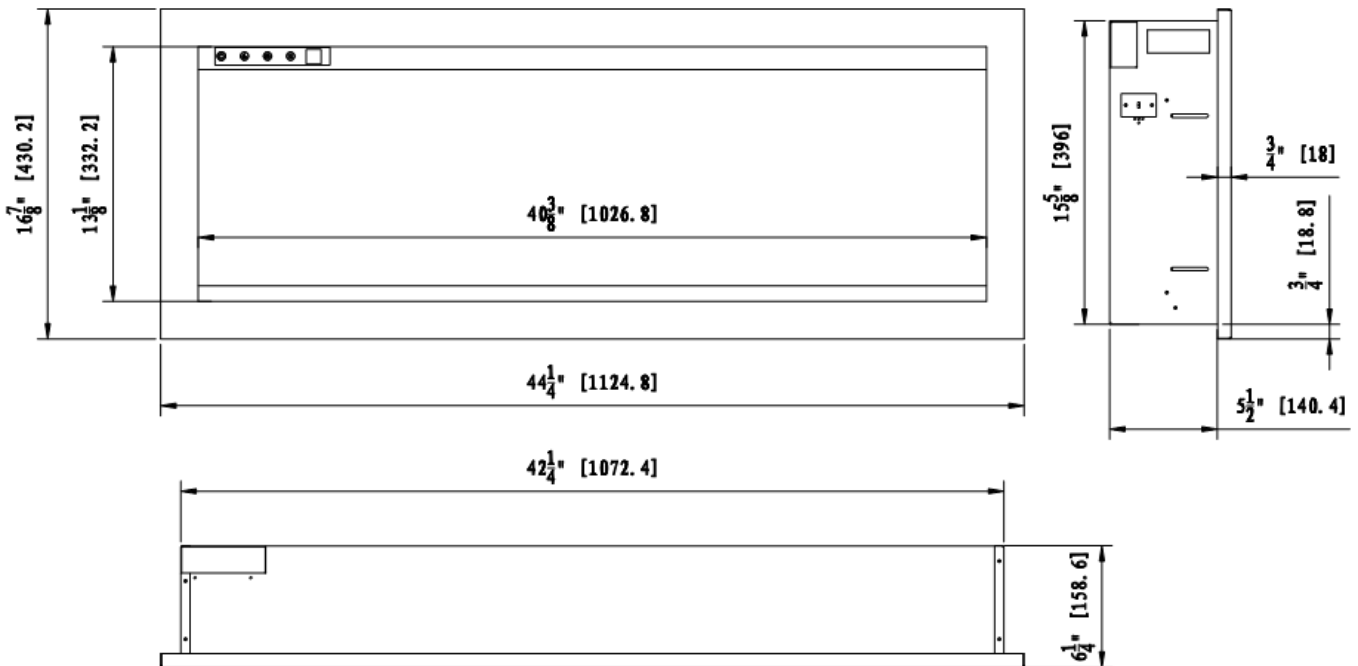
NOTE: This appliance must be electrically wired and grounded in accordance with local codes. In the absence of local codes, use the current CSA C22.1 Canadian Electrical Code in Canada or the ANSI/NFPA 70 National Electrical Code in the United States.



# description	<u>ilt;in Appliance
8oltage	12/ 8 A5 % > 1
2 atts	1// / 2 @a*
7' >AATAR	! , 2 @a*
@ T' R >AATAR	1-2
Appliance 2 idth	" 2 1B Cor 1/) .2 cm
Appliance >eight	1\$ \$B Cor ! - .%cm
Appliance # epth	\$ \$B Cor 1" .! cm
Dross 2 eight	% .! " lbs or ! 1 +gs
Plug Eocation	Eeft side
5ord Eength) /) B Cor 1, / cm
Rough 2 all ' pening 4i1e	" ! 1B C 1% Cor 1/ - ., cmF " / .%cm
<T0	! " 12

This appliance has been tested in accordance with the O E 4 tandard 2/ 21 for fi* ed and location dedicated electric room appliances in the O nited 4 tates and 5 anada. 3 you need assistance during installation please contact your local dealer.

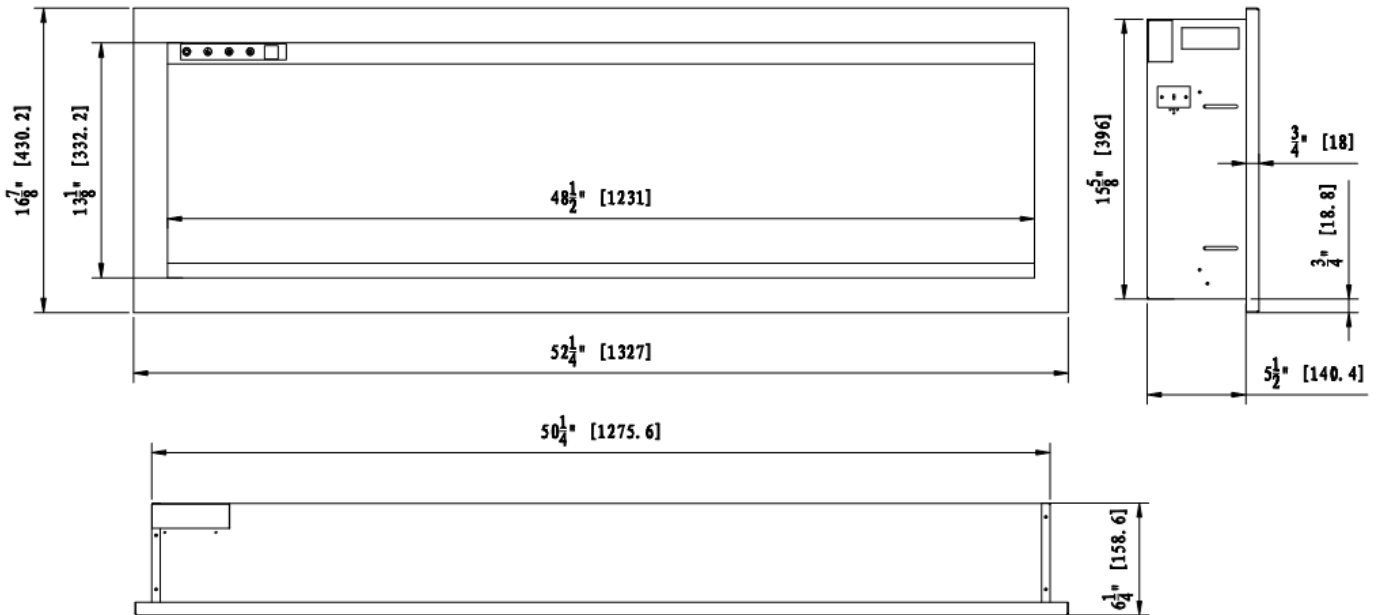
NOTE: This appliance must be electrically wired and grounded in accordance with local codes. In the absence of local codes, use the current CSA C22.1 Canadian Electrical Code in Canada or the ANSI/NFPA 70 National Electrical Code in the United States.



# description	<u>ilt;in Appliance
8oltage	12/ 8 A5 % > 1
2 atts	1// / 2 @a*
7' >AATAR	" 22 @a*
@' T' R >AATAR	1- 2
Appliance 2 idth	\$/ 1B Cor 12) .%cm
Appliance >eight	1\$ \$B Cor ! - .%cm
Appliance # epth	\$ \$B Cor 1" .! cm
Dross 2 eight) - ., lbs or ! %2 +gs
Plug Eocation	Eeft side
5ord Eength) /) B Cor 1, / cm
Rough 2 all ' pening	\$1 1B C 1%Cor
4i1e	! / .2 cmF " / .%cm
<T0	! " 12

This appliance has been tested in accordance with the O E 4 tandard 2/ 21 for fi*ed and location dedicated electric room appliances in the O nited 4tates and 5anada. 3 you need assistance during installation please contact your local dealer.

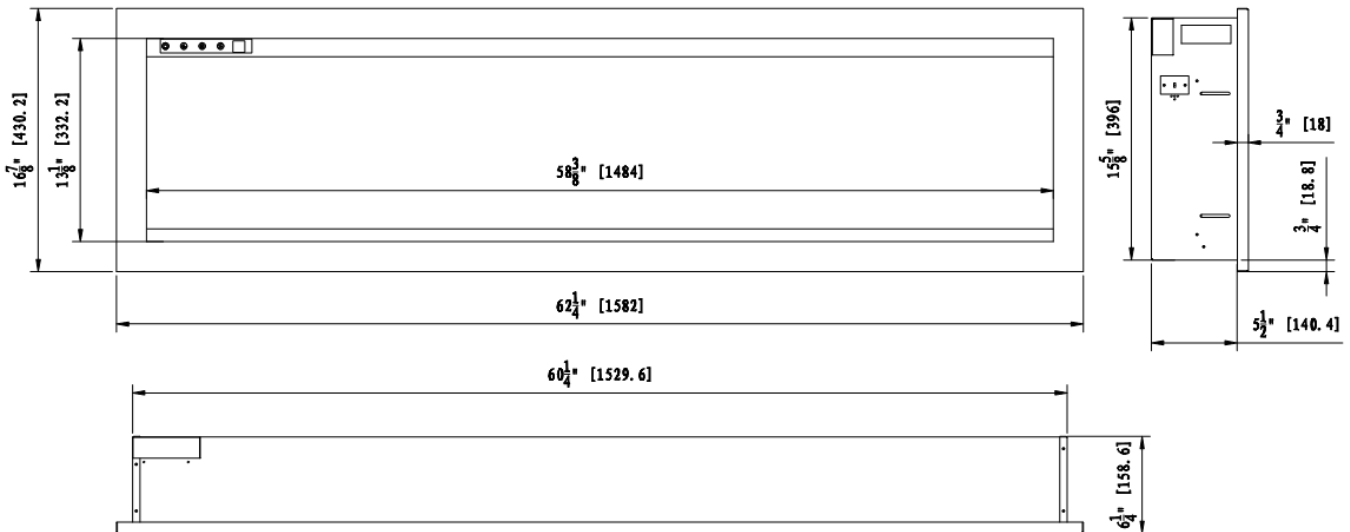
NOTE: This appliance must be electrically wired and grounded in accordance with local codes. In the absence of local codes, use the current CSA C22.1 Canadian Electrical Code in Canada or the ANSI/NFPA 70 National Electrical Code in the United States.



# description	<uilt;in Appliance
8oltage	12/ 8 A5 % > 1
2 atts	1// / 2 @a*
7' >AATAR	" %2 @a*
@ T' R >AATAR	1- 2
Appliance 2 idth	% 1B Cor 1\$! cm
Appliance > eight	1\$ \$B Cor ! - .%cm
Appliance # epth	\$ \$B Cor 1" .! cm
Dross 2 eight	- 2.%lbs or " 2 +gs
Plug Eocation	Eeft side
5ord Eength) /) B Cor 1, / cm
Rough 2 all ' pening 4i1e	% 1B C 1% Cor 1\$\$. \$ cmF " / .%cm
<T0	! " 12

This appliance has been tested in accordance with the O E 4 tandard 2/ 21 for fi* ed and location dedicated electric room appliances in the 0 nited 4 tates and 5 anada. 3 you need assistance during installation please contact your local dealer.

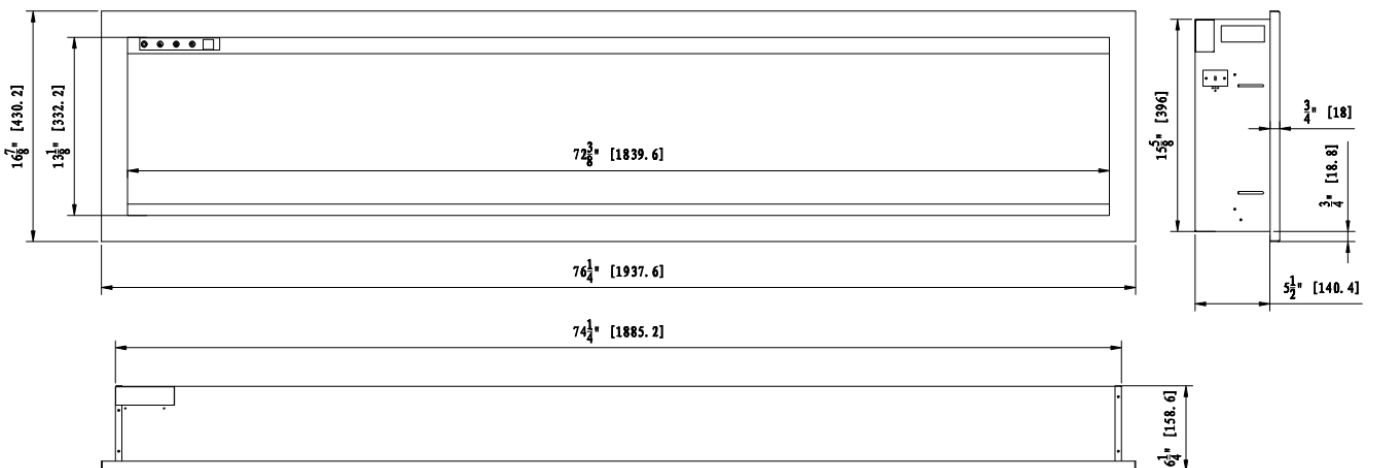
NOTE: This appliance must be electrically wired and grounded in accordance with local codes. In the absence of local codes, use the current CSA C22.1 Canadian Electrical Code in Canada or the ANSI/NFPA 70 National Electrical Code in the United States.



# description	<uilt;in Appliance
8oltage	12/ 8 A5 % > 1
2 atts	1// / 2 @a*
7' >AATAR	\$/ 2 @a*
@ T' R >AATAR	1-2
Appliance 2 idth) " 1B Cor 1, , .\$. cm
Appliance > eight	1\$ \$B Cor ! - .%cm
Appliance # epth	\$ \$B Cor 1" .! cm
Dross 2 eight	1/ , lbs or " - +gs
Plug Eocation	Eeft side
5ord Eength) /) B Cor 1, / cm
Rough 2 all ' pening 4i1e) \$ 1B C 1% Cor 1- 1.2 cmF " / .%cm
<T0	! " 12

This appliance has been tested in accordance with the O E 4tandard 2/ 21 for fi* ed and location dedicated electric room appliances in the Onited 4tates and 5anada. 3 you need assistance during installation please contact your local dealer.

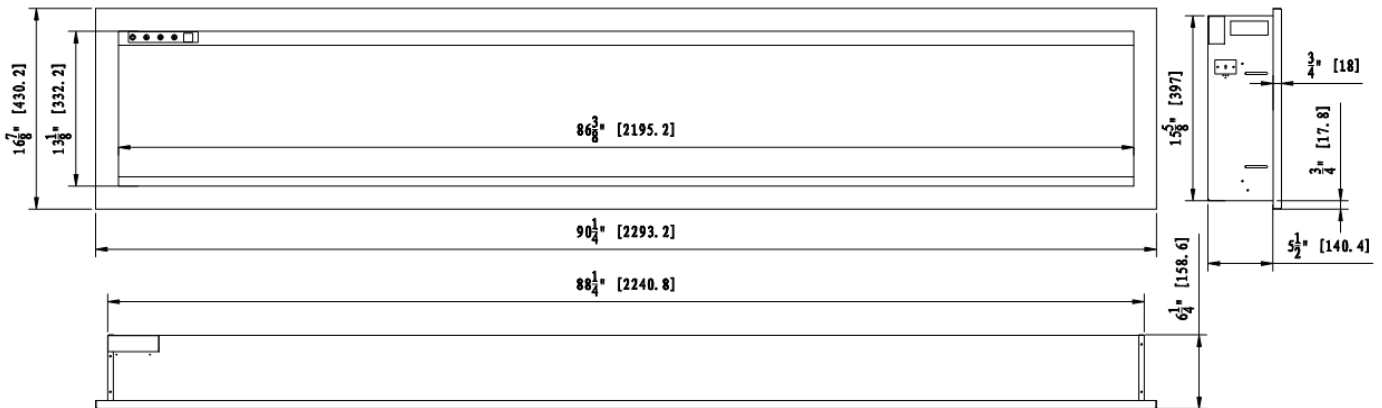
NOTE: This appliance must be electrically wired and grounded in accordance with local codes. In the absence of local codes, use the current CSA C22.1 Canadian Electrical Code in Canada or the ANSI/NFPA 70 National Electrical Code in the United States.



# description	<uilt;in Appliance
8oltage	12/ 8 A5 % > 1
2 atts	1// / 2 @a*
7' >AATAR	\$%2 @a*
@' T' R >AATAR	1- 2
Appliance 2 idth	, , 1B Cor 22" .1 cm
Appliance > eight	1\$ \$B Cor ! - .%cm
Appliance # epth	\$ \$B Cor 1" .! cm
Dross 2 eight	12! lbs or \$%+gs
Plug Eocation	Eeft side
5ord Eength)/) B Cor 1, / cm
Rough 2 all ' pening 4i1e	, - 1B C 1%Cor 22%%cmF " / .%cm
<T0	! " 12

This appliance has been tested in accordance with the O E 4tandard 2/ 21 for fi*ed and location dedicated electric room appliances in the 0nited 4tates and 5anada. 3 you need assistance during installation please contact your local dealer.

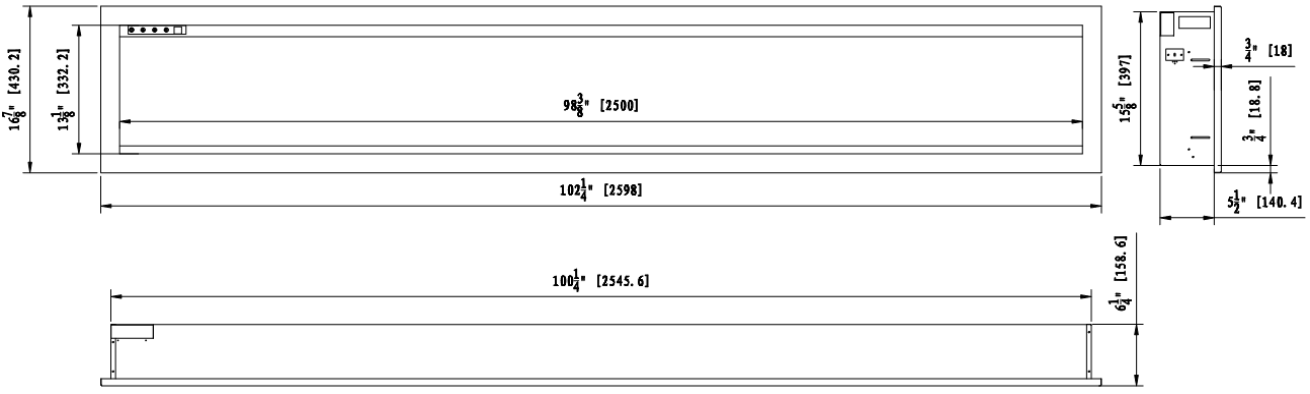
NOTE: This appliance must be electrically wired and grounded in accordance with local codes. In the absence of local codes, use the current CSA C22.1 Canadian Electrical Code in Canada or the ANSI/NFPA 70 National Electrical Code in the United State



# description	<ult;in Appliance
8oltage	12/ 8 A5 % > 1
2 atts	1// / 2 @a*
7' >AATAR	% 2 @a*
@ T' R >AATAR	1- 2
Appliance 2 idth	1// 1B Cor 2\$" .%cm
Appliance > eight	1\$ \$B Cor ! - .%cm
Appliance # epth	\$ \$B Cor 1" .! cm
Dross 2 eight	1! %% lbs or %2 +gs
Plug Eocation	Eeft side
5ord Eength)/) B Cor 1, / cm
Rough 2 all ' pening 4ie	1/ 1 1B F 1%Cor 2\$) .1 cmF " / .%cm
<T0	!" 12

This appliance has been tested in accordance with the 0E 4tandard 2/ 21 for fi*ed and location dedicated electric room appliances in the 0nited 4tates and 5anada. ¶ you need assistance during installation please contact your local dealer.

NOTE: This appliance must be electrically wired and grounded in accordance with local codes. In the absence of local codes, use the current CSA C22.1 Canadian Electrical Code in Canada or the ANSI/NFPA 70 National Electrical Code in the United States.



FOR BATHROOM USE

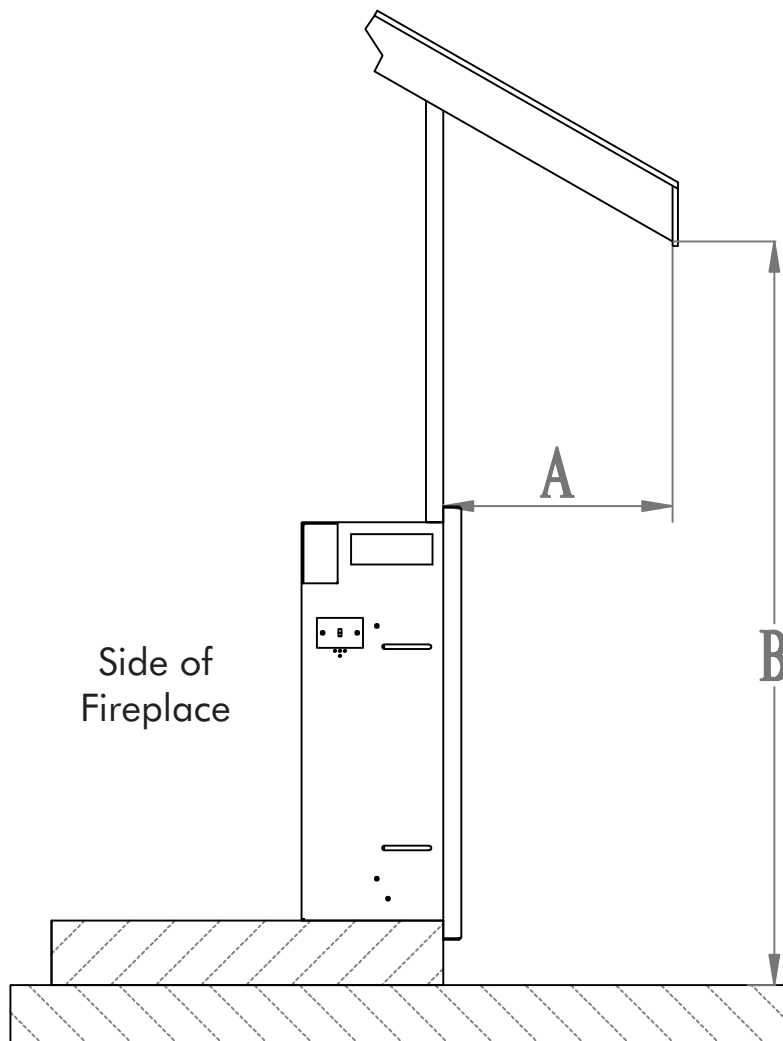
If this unit is installed in a bathroom it must be protected by a GFCI receptacle or circuit. If a receptacle is used it must be readily accessible.

To prevent electric shock, please be aware that this unit is an electrical appliance that is not watertight and must be installed as to prevent water from entering unit. This must be installed away from showers, tubs, etc. Never locate fireplace where it may fall into a bathtub or other water container.

All wiring connections to line power shall be in accordance with local building code requirements. Consult your electrician about local codes and regulations must be done prior to installation.

OUTDOOR INSTALLATIONS

These series electric fireplaces are suitable for installation in outdoor areas protected from direct water impingement. In addition to maintaining the listed mantel and combustibles clearances a rain protection overhang factor of $1/2$ shall be constructed to the front and to each side of the installed appliance. See illustration below. All wiring connections to line power shall be in accordance with local building code requirements. Inquire about local codes and regulations must be done prior to installation.



The overhang (A) must extend at least $1/2$ the roof-line height. Height is measured from the base of the fireplace.

For example: if the roof-line (B) is 8' above the base of the fireplace, the overhang (A) must be at least 4'.

INSTALLATION-WALL MOUNT

Due to the many different materials used to build walls it is highly recommended that you consult your local builder before you install this appliance on a wall.

1. Select a location that is not prone to moisture and is located at least 1 m or 3 feet away from combustible materials such as curtains or drapes, furniture, bedding, paper, etc.
2. Using a spirit level to select a position in which to mount the heater horizontally. See (Figure 1).
3. Check the wall to ensure there is no wiring, pipe, wires, etc. in the area to be drilled. Drill, or more holes depending on the size of the unit purchased, 9 mm diameter, 25 mm depth, using a suitable size drill bit and insert the wall plugs into the holes.
4. Remove the hanger from the fireplace by removing the screws. See (Figure 2).
5. Fasten the hanger to the wall. See (Figure 3).
6. To prevent fireplace from moving, use the provided safety screw to fasten the fireplace to the wall. See (Figure 4).

WARNING: Be sure that the bolts have been fixed firmly enough to withstand the weight!

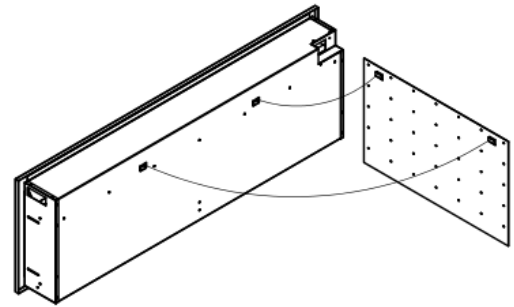


Fig. 2

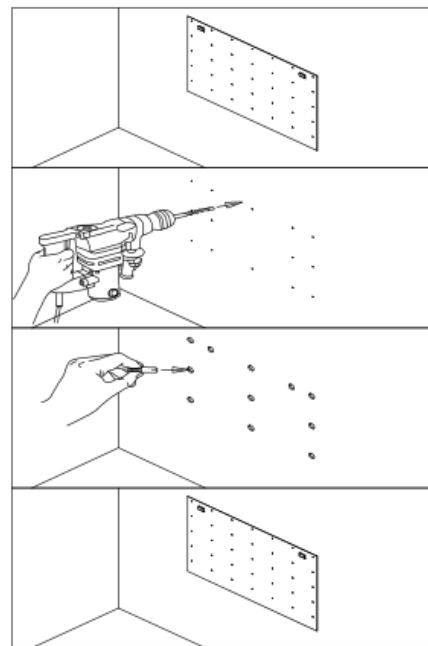


Fig.3

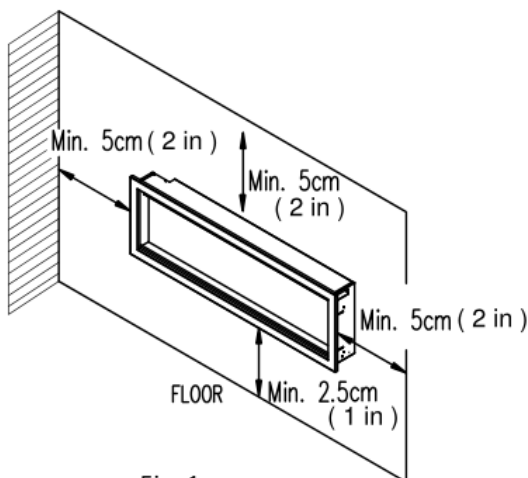


Fig. 1

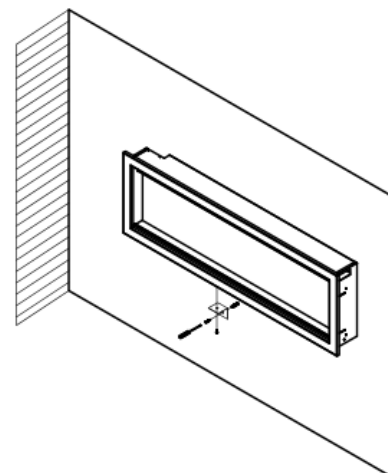


Fig. 4

INSTALLATION- BUILT-IN

Due to the many different materials used to build walls it is highly recommended that you consult your local builder before you install this appliance on a wall.

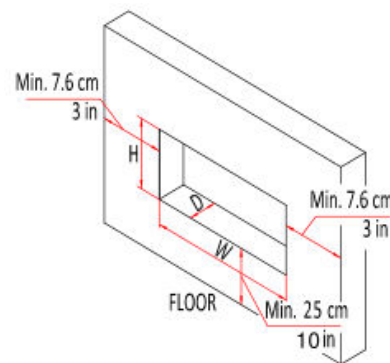
Preparation

- Select a location that is not prone to moisture and is located at least 1 m or 3 feet away from combustible materials such as curtains, drapes, furniture, bedding, paper, etc.
- Mark the desired location on the floor and store the appliance in a safe, dry, and dust-free place.
- Prepare a wall with a framed opening to accommodate the size of your unit. Leave at least 13 mm around the edge of the appliance. Any new wiring must be done in compliance with local and national codes and other applicable regulations.

Prior to installing, test the appliance to make sure the appliance is fully operational by plugging the power supply cord into a 120V grounded outlet.

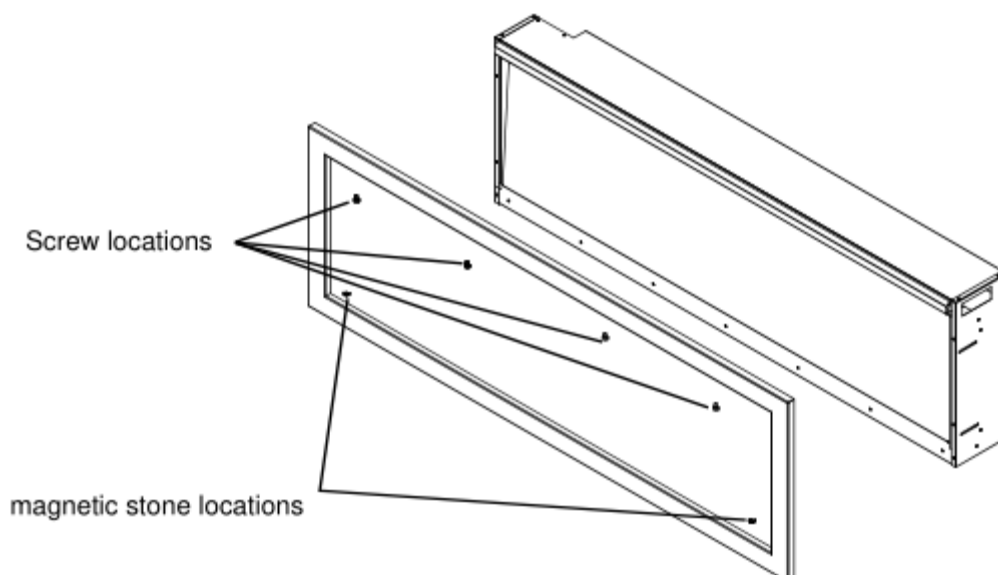
The rough wall opening size of the fireplace-

2 1/2"	# 1/2"	> 1/2"
1 1/2"	1/2"	1 1/2"
1 1/4"	1/2"	1 1/4"
1 1/8"	1/2"	1 1/8"
1 1/4"	1/2"	1 1/4"
1 1/2"	1/2"	1 1/2"
1 1/4"	1/2"	1 1/4"

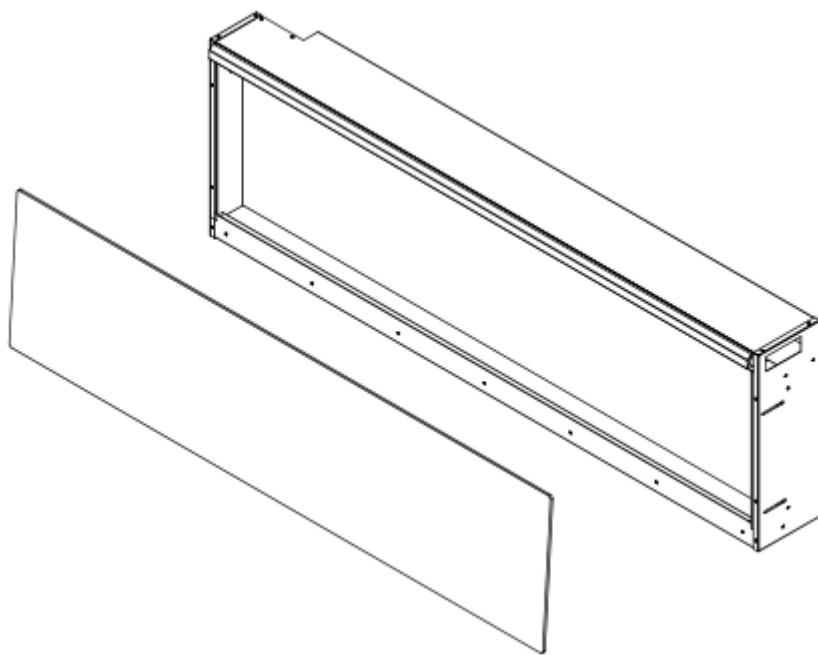


INSTALLATION

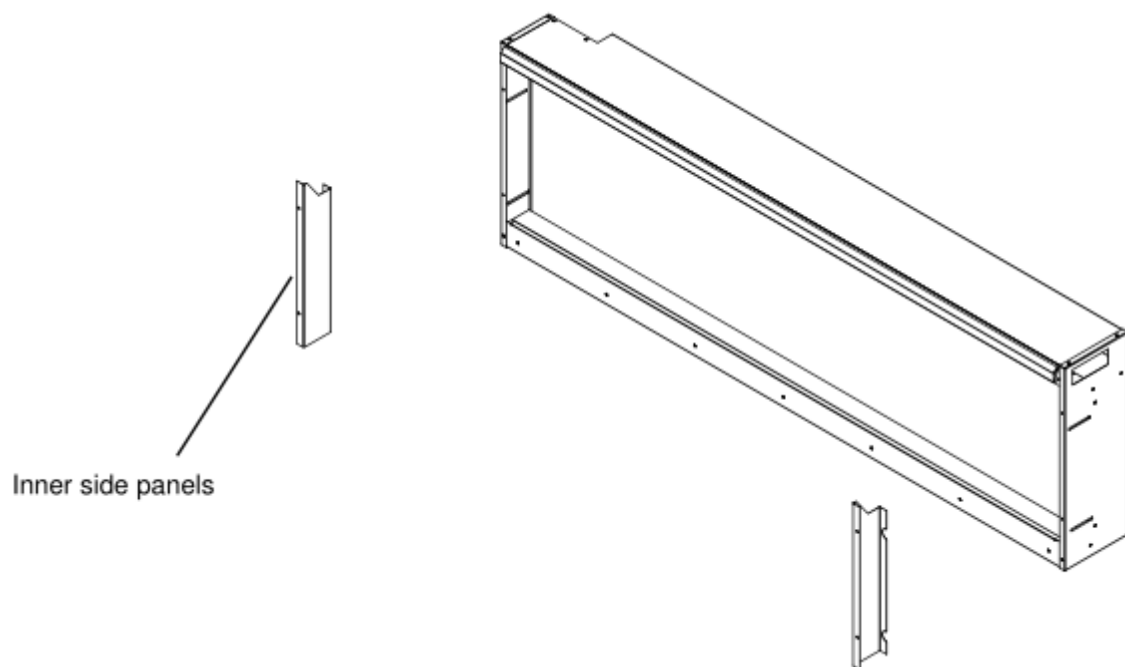
- Remove the screws and take off the trim. Keep hold of the front glass as it may fall down automatically when the trim is removed.



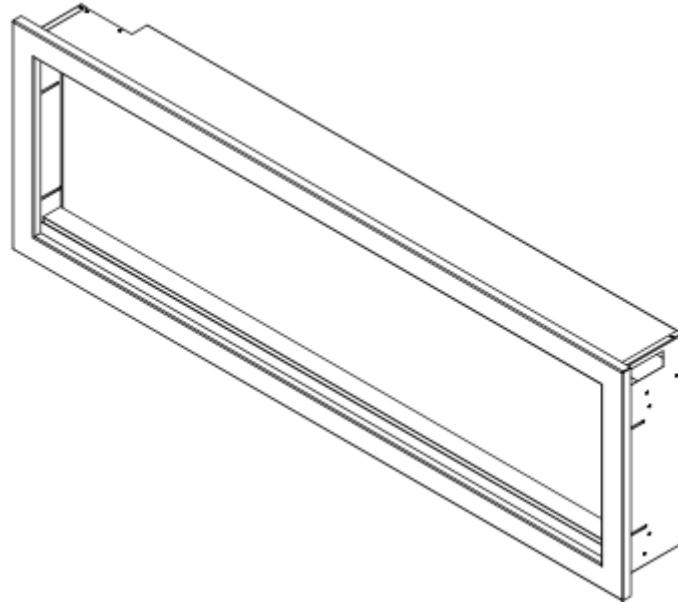
- When the trim is removed, take off the front glass panel.



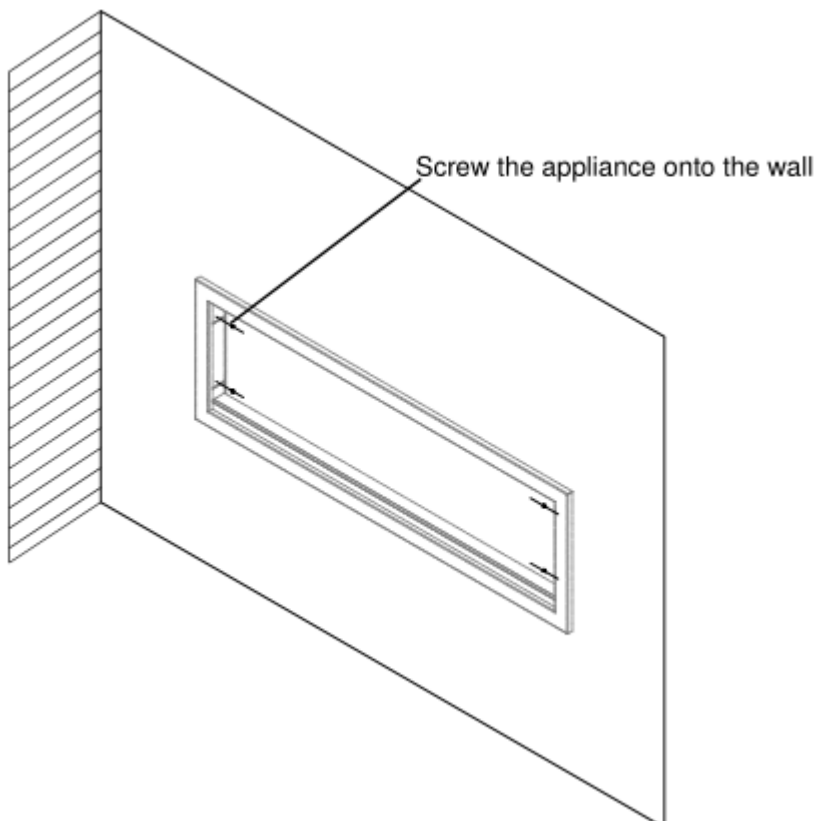
! . 0nscrew the 2 screws located on each side and take off the inner side steel panels.



" . Put the trim back onto the appliance and fasten with screws.97' TA=This step is to make sure that the fireplace fits the wall opening well and there is no gap between the trim and the wall after installation:

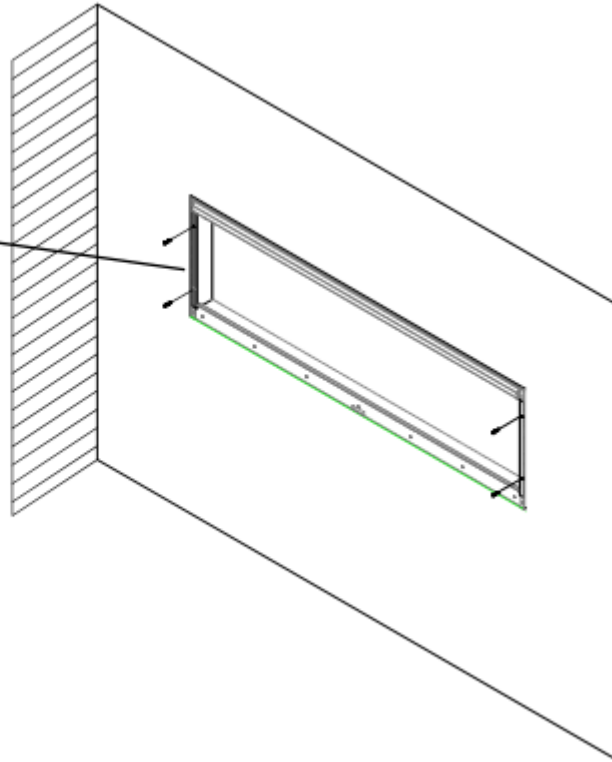


\$. Put the fireplace into the wall opening and fix it to the wall by screwing 2 screws each side.

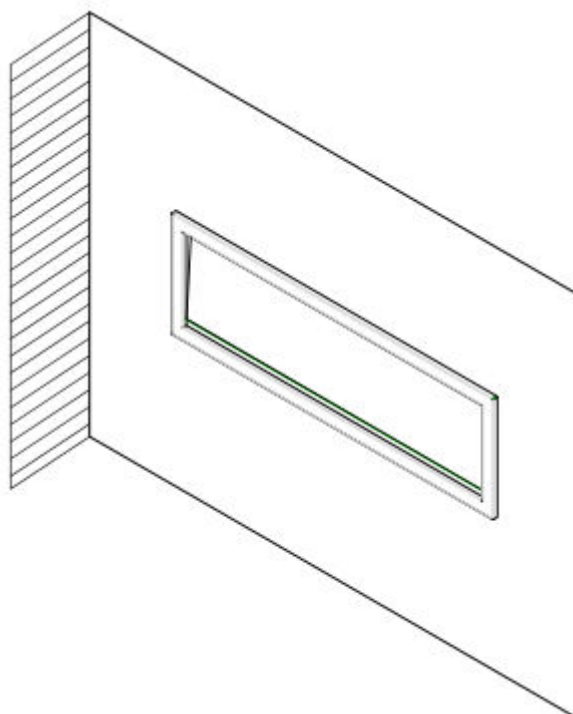


% Remove the trim following 4TAP 1. 4crew bac+ the inner side steel panels.

Screw back the inner side panels
that you removed at STEP 3.



) . Put bac+ the front glass panel and screw bac+ the trim after you finish the media decoration.

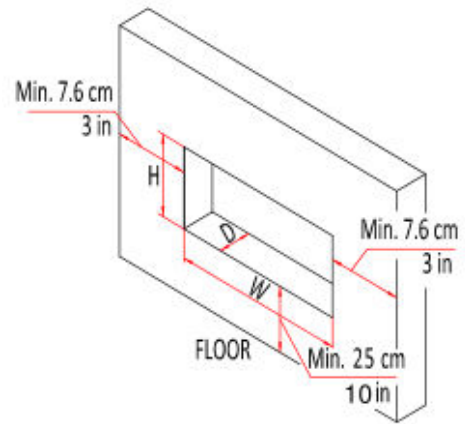


INSTALLATION SEMI-FLUSH BUILT-IN WITHIN 2 X 4'S

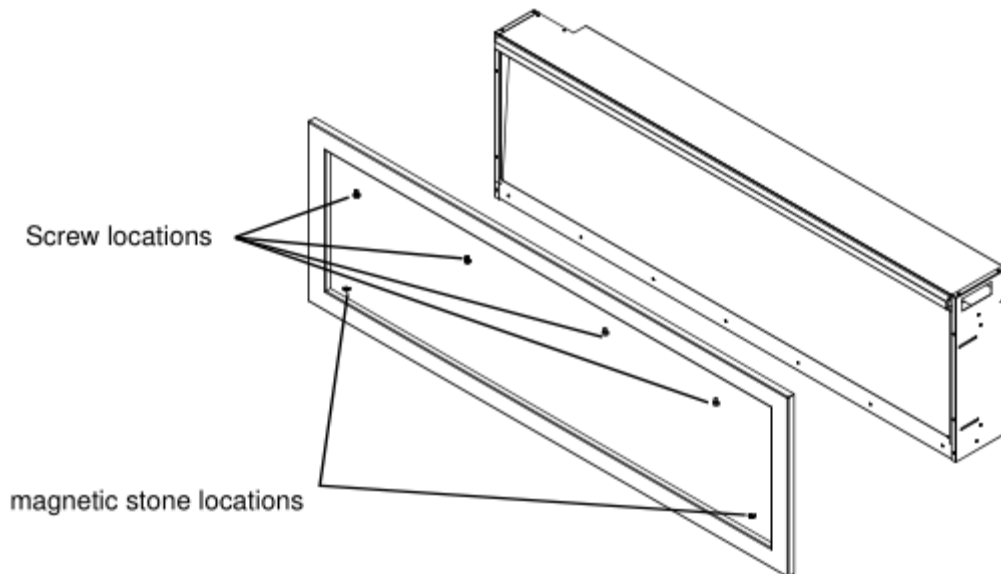
NOTE: Please purchase special trim for the semi;flush built;in installation from dealer. 4 ee dealer for more details.

The rough wall opening si1e of the fireplace-

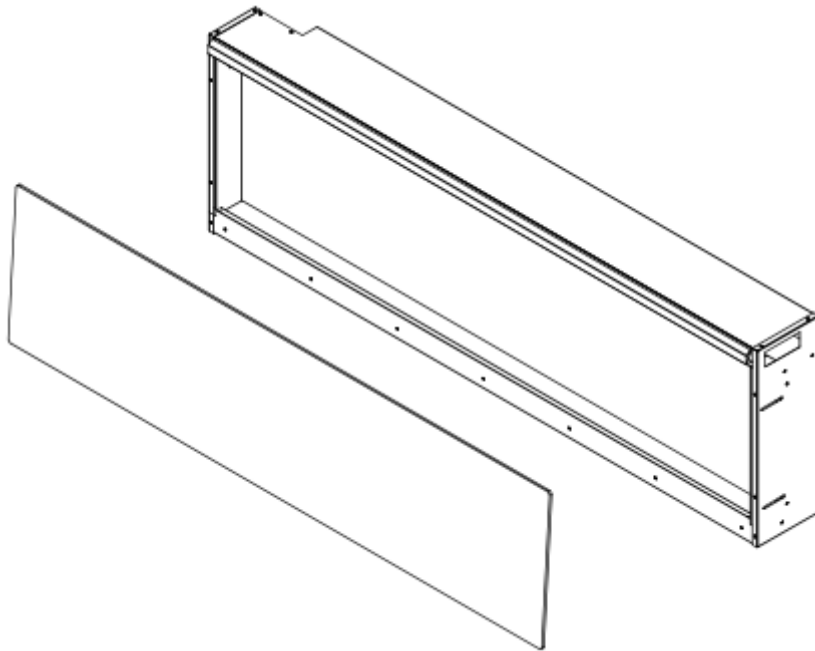
2 9G	# 9G	> 9G
!!!B	"	1%
"! 1B	"	1%
\$1 1B	"	1%
%a 1B	"	1%
)\$ 1B	"	1%
, - 1B	"	1%
1/ 1 1B	"	1%



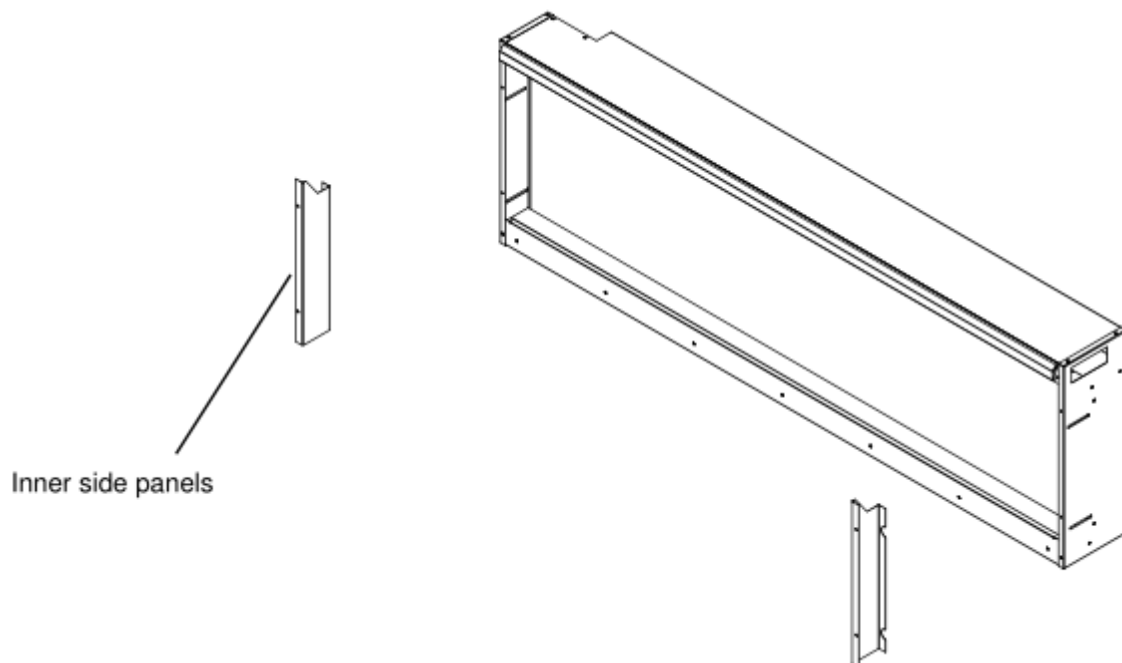
1. Unscrew " screws and take off the trim. 97' TA=Keep hold of the front glass as it may fall down automatically when the trim is removed.:



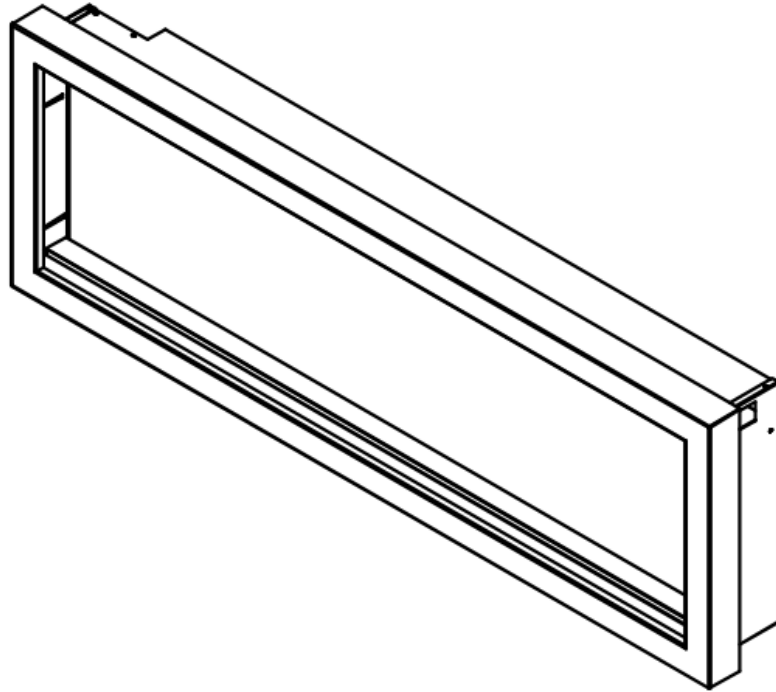
2. When the trim is removed take off the front glass panel.



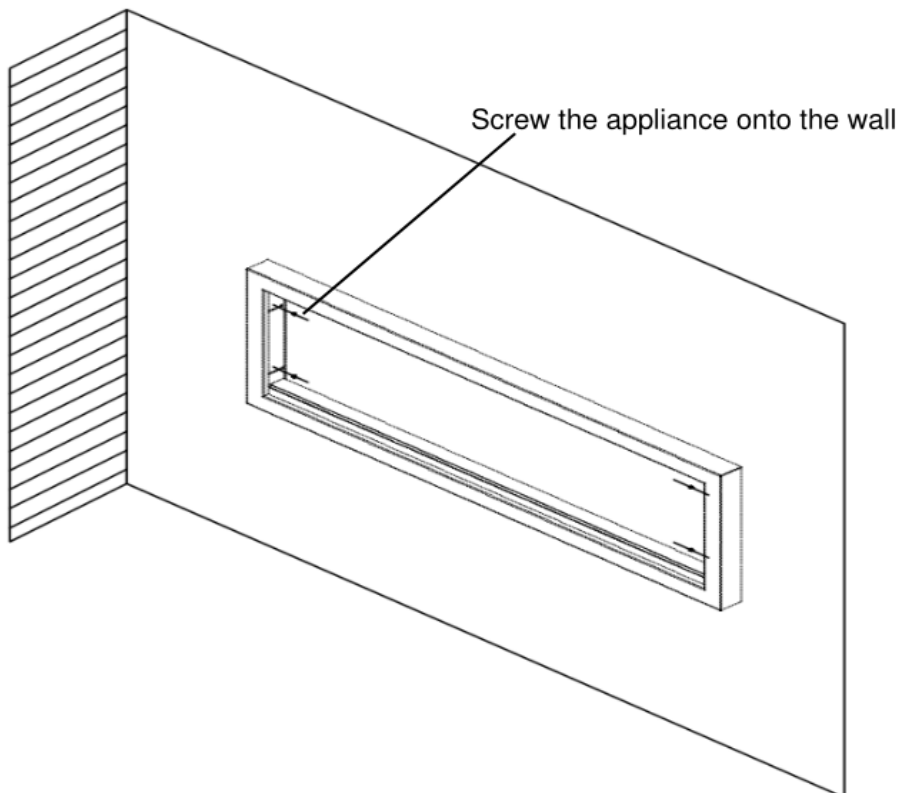
3. Unscrew the 2 screws located on each side and take off the inner side steel panels.



" . Put the trim bac+ onto the appliance and fasten with screws.97' TA=This step is to ma+e sure that the fireplace fits the wall opening well and there is no gap between the trim and the wall after installation:

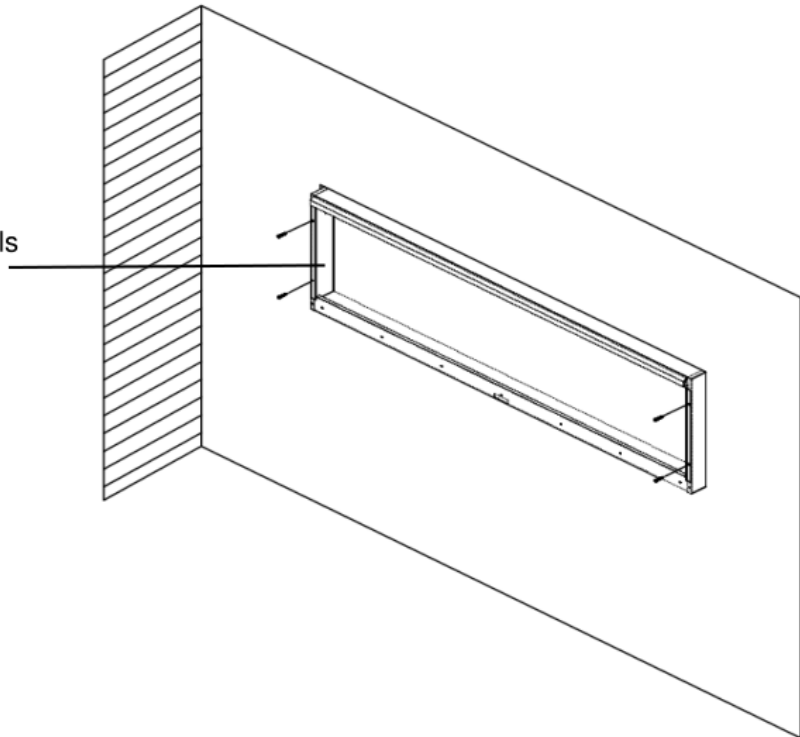


\$. Put the fireplace into the wall opening and fi* it to the wall by screwing 2 screws each side.

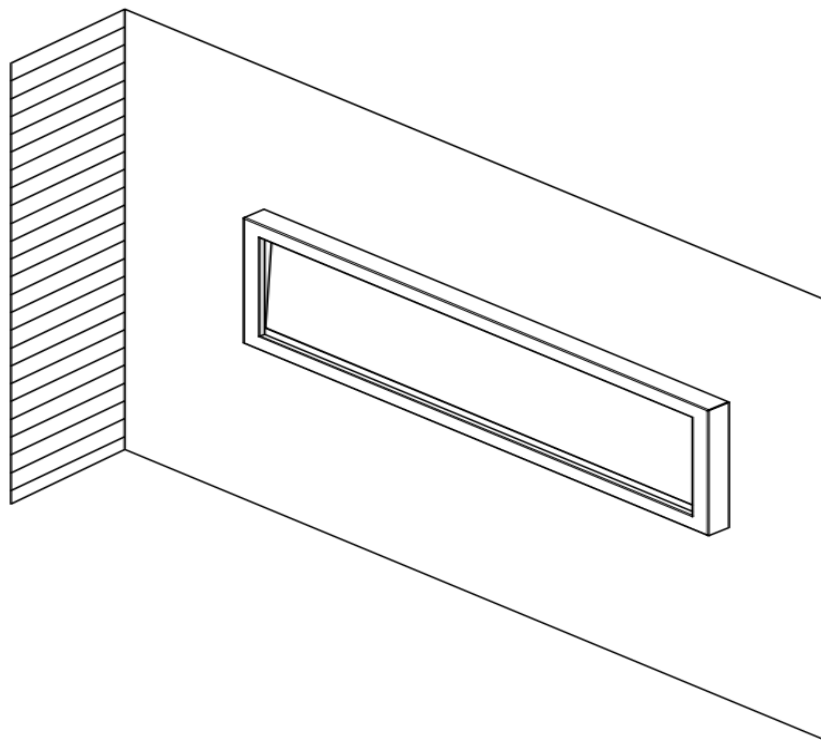


% Remove the trim following 4TAP 1. 4crew bac+ the inner side steel panels.

Screw back the inner side panels that you removed at STEP 3.



). Put bac+ the front glass panel and screw bac+ the trim after you finish the media decoration.



HARD- WIRE INSTALLATION

Turn off the appliance completely and let cool before servicing. Only a qualified service person should service and repair this electric appliance.

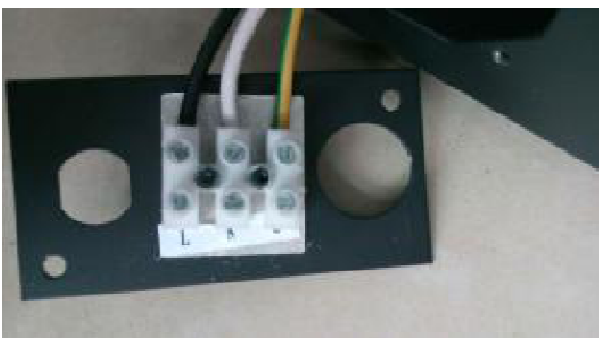
If it is necessary to hard-wire this appliance a qualified electrician must remove the cord connection and wire the appliance directly to the house hold wiring.

This appliance must be electrically connected and grounded in accordance with local codes if hard-wired. In the absence of local codes use the current 54A 522.1 5A7A#3A7 AEA5TR3AE 5' #A in Canada or the current A7437 (PA) / 7AT3 7AE AEA5TR3AE 5' #A in the United States.

1. Remove the cover plate from the left side of the appliance by removing the two screws as shown below. Unscrew and remove power cord.



2. Attach the wiring to the junction block. Please make sure the live wire goes into the "L", the neutral wire into "N" and the ground wire into "G".



3. Return the cover plate to the left side and screw the two screws back in to fasten the plate.

MEDIA OPTIONS

The fireplace shipped with an ember log set that is pre-installed and clear. Consumers may purchase optional decorative media if they choose. See dealer for more details.



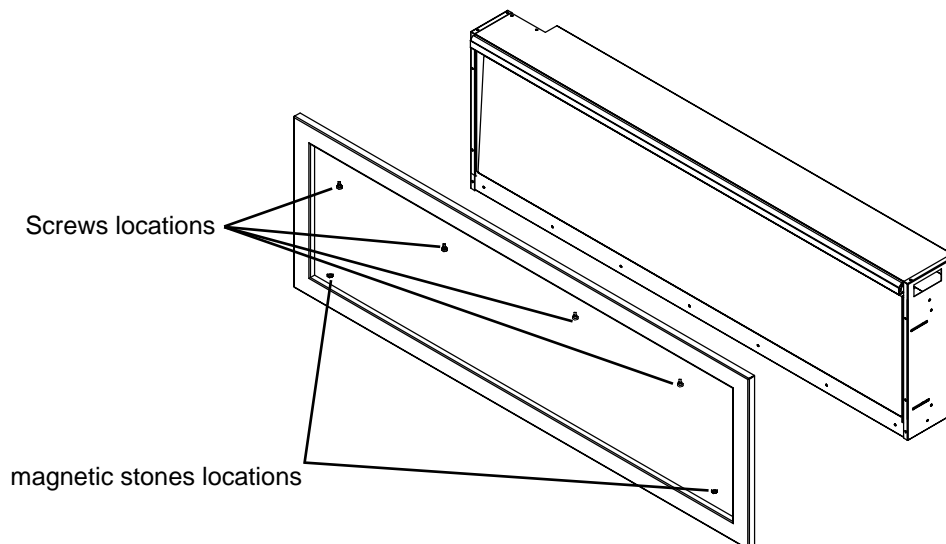
Log set



Clear

DECORATIVE MEDIA INSTALLATION

Remove screws and take off the trim. **NOTE:** Keep hold of the front glass as it may fall down automatically when the trim is removed.



INSTALLING THE DECORATIVE MEDIA

Pour the fire glass media into the tray. (Feel free to use any combination of the fire glass media that you find most appealing. Put back the trim and front glass after you finish installing the fire glass.

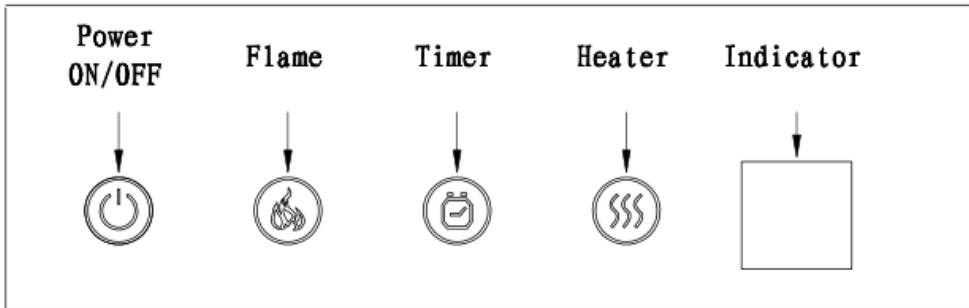



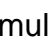
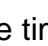

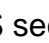
OPERATION

The fireplace can be operated either by the touch panel located on the left front top side of the fireplace or by supplied remote control.

Plug the fireplace into a 15 Amp wall socket.

MANUAL OPERATION

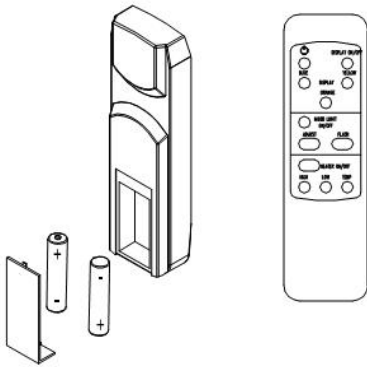


1. Press  to turn on and off the appliance.
2. Press  multiple times to adjust between mid low on/off or high brightness options.
3. Press  multiple times to set operating duration to 1/ min 1h 2h 3h 4h 5h 6h 7h 8h 9h or off.
4. Press  multiple times to set ambient temperatures at 1, °C 9°F: 1- °C 9°F: 2/ °C 9°F: 21°C 9/ °F: 22°C 9 2°F: 2! °C 9 !°F: 2" °C 9 \$°F: 2\$(°C 9) °F: 2%(°C 9) - °F: 2) °C 9 1°F: 2, °C 9 ! °F: ' 7 or ' ((. 2 hen setting the temperature the number will flash.
5. Keep and hold  for 5 seconds to switch between Celsius and Fahrenheit.

SAFETY CUT-OFF

- This appliance is fitted with a safety cut-off which will operate if the fireplace overheats e.g. due to blocked air vents. (for safety reasons the fireplace will shut off automatically and reset.
- To reset the appliance disconnect the appliance from the main supply for at least 1/ minutes. Reconnect the supply to the main and switch on the appliance.

REMOTE CONTROL OPERATION



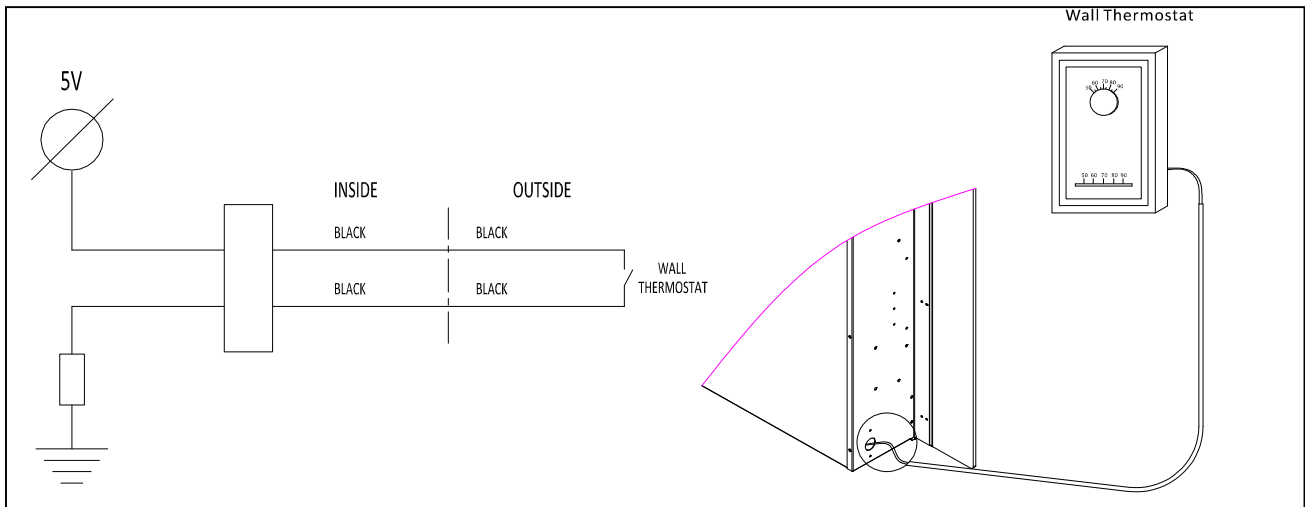
(or remote to function ma+e sure the heater is plugged in and the main power switch located on the bottom left hand side is at position 3

Important=2 hen operating the remote ma+e sure you point the remote to the center of the fireplace each time you press the button. There will be a beep tone emitted. There can be a slight delay for the receiver to respond to the transmitter. # o not PRA44 the buttons more than once within two seconds for correct operation.

	Power on	The power;on button at top left corner of the remote is the mains ' 7 B ((power button. This will turn off all the functions and the fireplace will be in standby mode.
	DISPLAY ON/OFF	Turns the fireplace flame and tray light ' 7 B ((. 3 will recall the last settings used on the fireplace.
	BLUE	Aach clic+ adjusts the intensity of the blue flame. 0 se alone or in addition to yellow andDr orange.
	YELLOW	Aach clic+ adjusts the intensity of the yellow flame. 0 se alone or in addition to blue andDr orange.
	ORANGE	Aach clic+ adjusts the intensity of the orange flame. 0 se alone or in addition to yellow andDr blue.
	MOOD LIGHT ON/OFF	Turns the ambient canopy lighting ' 7 B ((
	ADJUST	Rotates through the 1! colors of the ambient canopy lighting.
	FLASH	Turns the mood light into flash mode this cycles through all 1! mood light colors.
	HEATER ON/OFF	Turns the heater ' 7 B ((. 3 will recall the last settings used on the fireplace.
	HIGH	Press the high button to switch the heater to high heat setting 1// / 2
	LOW	Press the low button to switch the heater to low heat setting \$ / / 2
	TEMP	Aach clic+ adjusts the temperature range from 1, 15 ; 2, 15 9% I(; , ! I(:. ' nce the desired temperature is chosen the fireplace will maintain the temperature JB 215

INSTALLING WALL THERMOSTAT

WALL THERMOSTAT WIRING DIAGRAMS



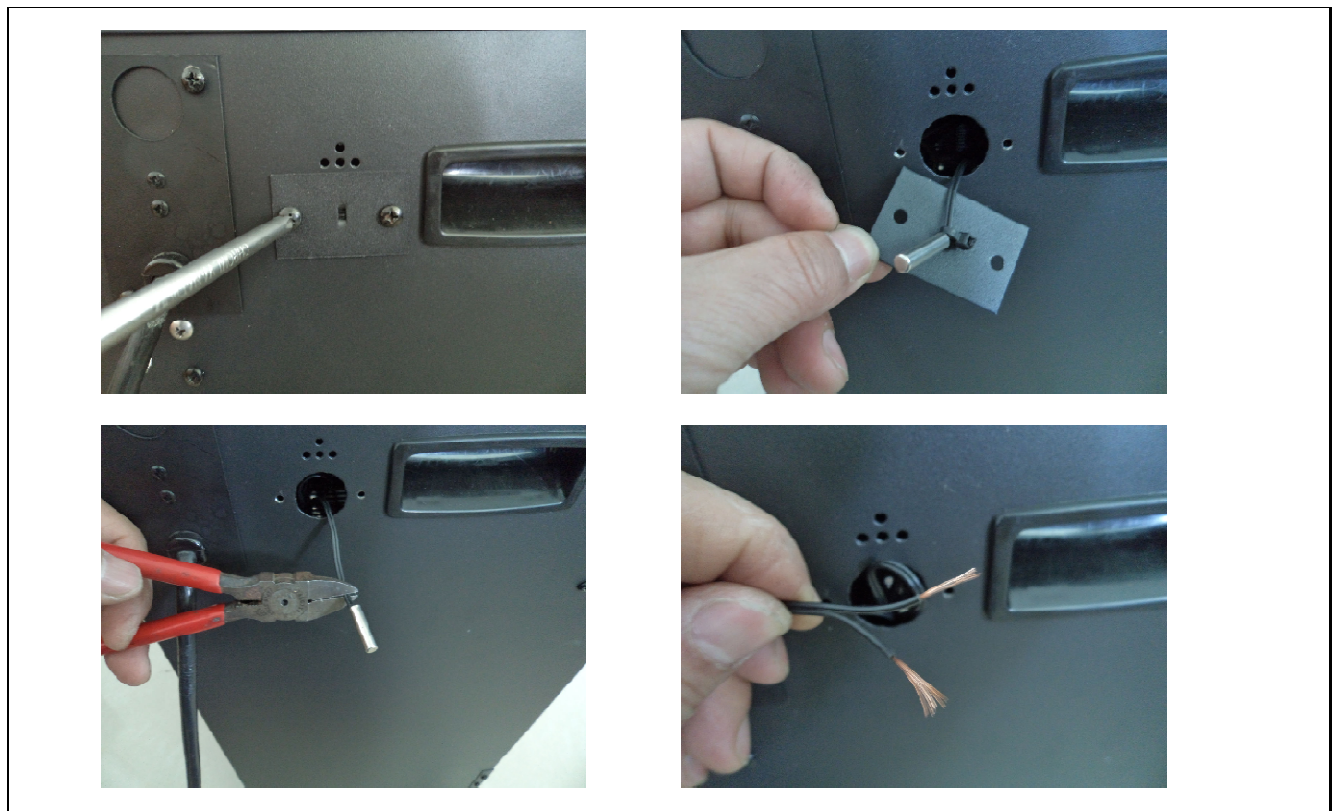
NOTE: The wall thermostat will be functioning when the heater is on the TEMP. setting.

Wire the wall thermostat prior to installing the fireplace.

WALL THERMOSTAT WIRING(24 VAC)

Install Wall Thermostat per instructions provided with kit and per the following information:

1. Turn off circuit breaker.
2. Remove cover plate located on the rear upper left side of the appliance.
- ! . Pull the wire out and cut the inside thermostat. 5 onnect the wires to the wall thermostat as shown below. (allow the instructions provided with wall switch +it.



REPLACEMENT PARTS

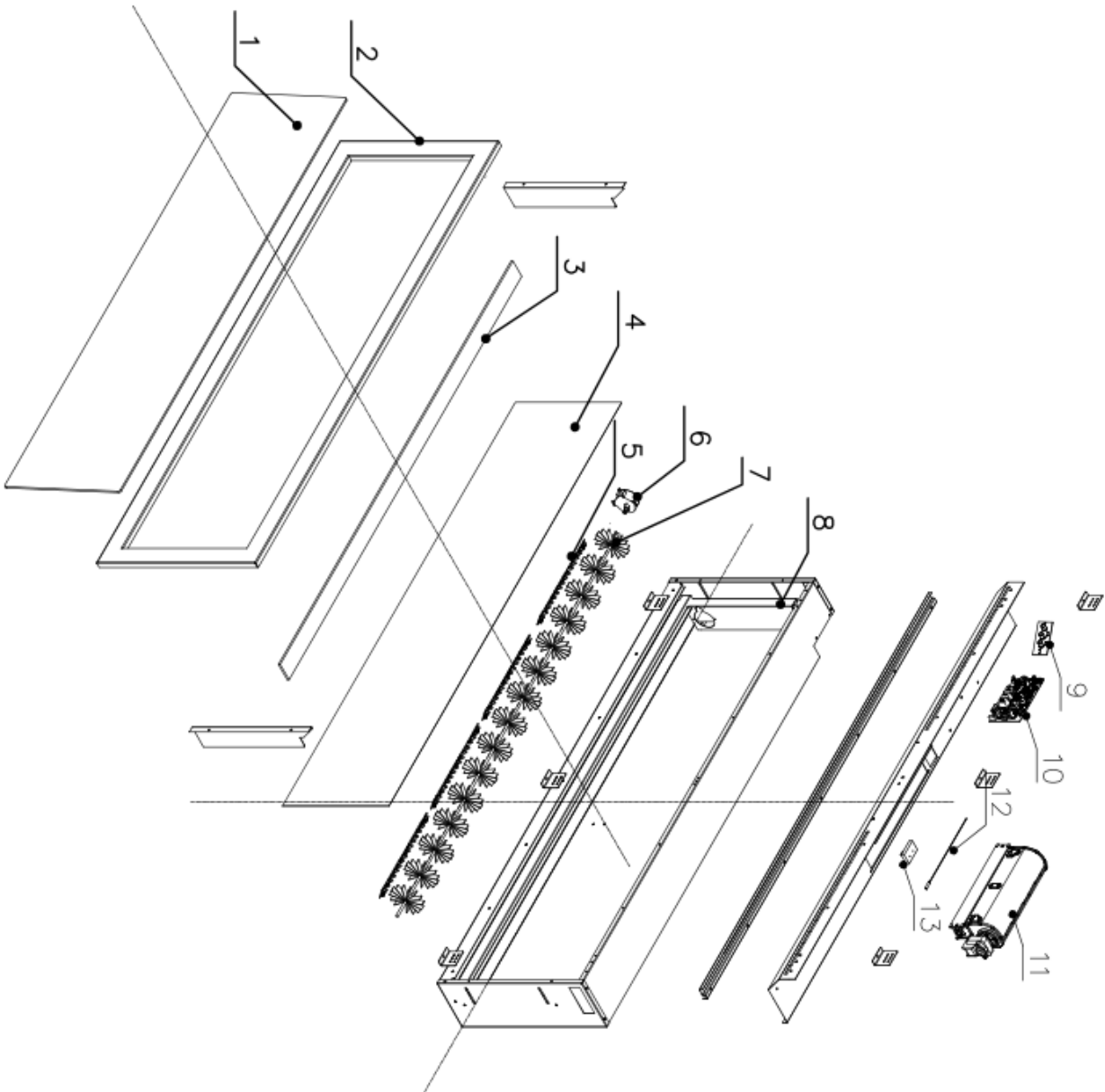
NO	DESCRIPTION	QTY
1	FRONT GLASS	1
2	TRIM	1
3	EMBER BED GLASS	1
4	FLAME EFFECT GLASS	1
5	LED STRIP FOR FLAME	
6		
7	LED STRIP FOR EMBER BED	
8		
9	FLAME MOTOR	1
10	FLICKER ASSEMBLY	1
11	FIRE BOX	1
12	CONTROL PANEL	1
13	CIRCUIT BOARD	1
14	BLOWER AND HEATER ASSEMBLY	1
15	TEMPERATURE SENSOR	1
16	REMOTE RECEIVER	1
17	REMOTER	1
18	TOP LIGHT	1

NOTE: Remote control and canopy light are not shown at the exploded view.

NO	DESCRIPTION	QTY
1	FRONT GLASS	1
2	TRIM	1
3	EMBER BED GLASS	1
4	FLAME EFFECT GLASS	1
5	LED STRIP FOR FLAME	
6		
7	LED STRIP FOR EMBER BED	
8		
9	FLAME MOTOR	1
10	FLICKER ASSEMBLY	1
11	FIRE BOX	1
12	CONTROL PANEL	1
13	CIRCUIT BOARD	1
14	BLOWER AND HEATER ASSEMBLY	1
15	TEMPERATURE SENSOR	1
16	REMOTE RECEIVER	1
17	REMOTER	1
18	TOP LIGHT	1

NOTE: Remote control and canopy light are not shown at the exploded view.

EXPLODED VIEW



TROUBLE SHOOTING

PROBLEM	POSSIBLE CAUSE	SOLUTION
#im or no flame	(lame EA# 6 are burnt out	Inspect the EA# 6 and replace them if necessary
	<ac+ blac+ cloth is falling off and roll the flic+er	Change a new flic+er and bac+ blac+ cloth
Amber bed is not glowing or dimming	Amber EA# 6 are burnt out	Inspect the ember bed EA# 6 and replace them if necessary
Appliance turns off and will not turn on	Appliance has overheated and safety device has caused the thermal switch to disconnect	Turn off the main switch allow appliance to cool for 1/ minutes then turn it on
	>ouse circuit brea+er has tripped	Reset house circuit brea+er
	Appliance 6 fuse has blown	Replace the fuse
Appliance will not come on when switch is flipped to ' 7	Appliance is not plugged into an electrical outlet	Check plug and plug in
	Appliance has overheated and safety device has caused the thermal switch to disconnect	Turn off the main switch allow appliance to cool for 1/ minutes then turn on
	Circuit board is burnt out	Inspect the circuit board and replace if necessary
No warm air coming out of appliance	>eater is burnt out	Inspect the burner and heater assembly and replace if necessary
(lame sputters	(lame motor is defective	Call a . ualified service technician and replace flame motor
Remote control does not work	Low batteries Onit switch in G C position	Replace AAA batteries in remote control Turn the switch in G C position
(lame is fi*ed	2 iring may be loose or the flame motor may be defective	

WARRANTY FOR PRODUCTS MANUFACTURED

We warrant that your newly purchased electric fireplace is free from manufacturing and material defects for a period of two (2) years from the date of the first purchase subject to the conditions and limitations contained below.

Warranty Coverage and Term

Products covered by this limited warranty have been tested and inspected prior to shipment and subject to the terms and conditions of this warranty we warrant such products to be free from defects in material and workmanship for a period of two (2) year from the date of the first purchase.

The limited two (2) year warranty period for this product also applies to any implied warranties that may exist under applicable law. Some jurisdictions do not allow limitations on how long an implied warranty lasts so the above limitation may not apply to the purchaser.

Defects

Defects must be brought to the attention of the selling dealer. Please have your proof of purchase catalogue number and serial numbers available when contacting dealer. Any and all service under the limited warranty requires a proof of purchase of the product. Should a product or part covered by this limited warranty be proven to be defective in material or workmanship and during the two (2) year limited warranty period we will replace such defective product or part without charge. If we are unable to replace such product or if replacement is not commercially practicable or cannot be timely done in its sole discretion we may in lieu of replacement choose to refund the purchase price for such product or part. We do not cover labor or service charges to replace said parts.