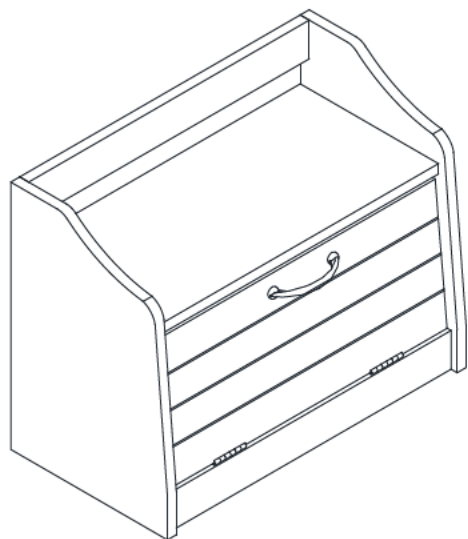












- In the unlikely event of missing or damaged parts please contact us and we will send replacement parts by express delivery.
- Read all instructions before assembling
- Do not over tighten screws

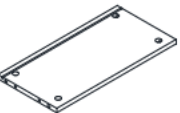
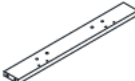


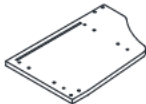

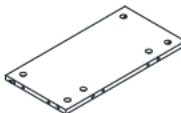
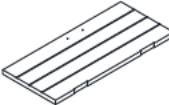
ASSEMBLY INSTRUCTIONS



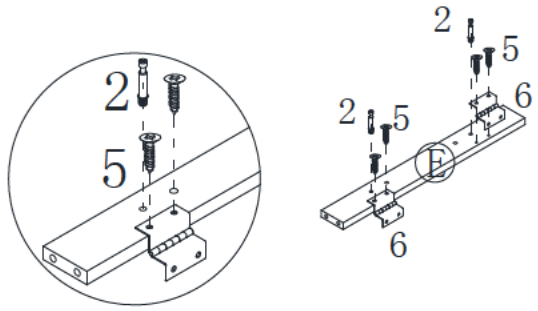
Hardware:

Letter	Draw	Number	Letter	Draw	Number
1	 6x30mm	18pcs	6		2pcs
2	 6x35mm	10pcs	7		1pcs
3	 15x9.5mm	10pcs	8		1pcs
4		1pcs	9		2pcs
5	 3x12mm	9pcs	10	 4x16mm	2pcs

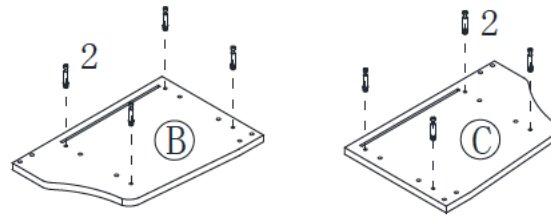
Componets:

Letter	Draw	Number	Letter	Draw	Number
Ⓐ		1pc	Ⓔ		1pc
Ⓑ		1pc	Ⓕ		1pc
Ⓒ		1pc	Ⓖ		1pc
Ⓓ		1pc	Ⓖ		1pc

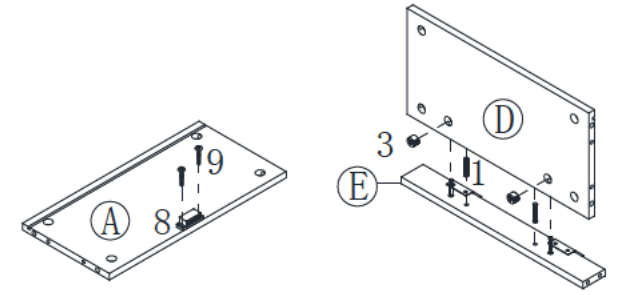
Step1



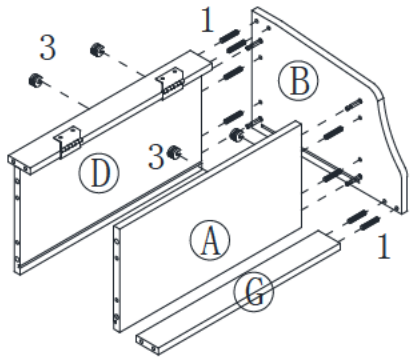
Step2



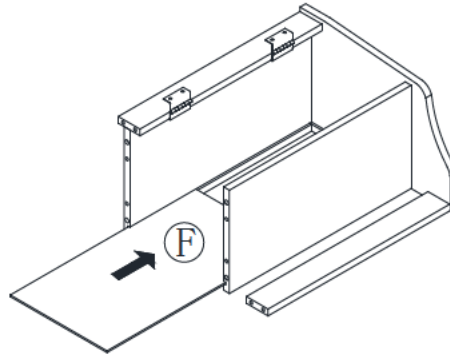
Step3



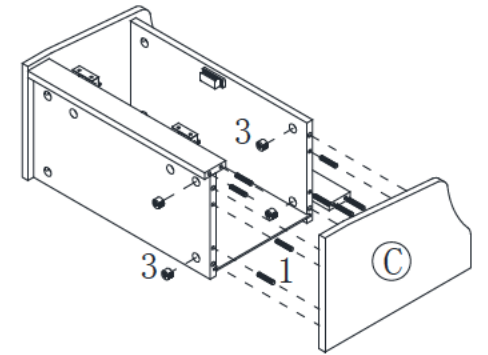
Step4



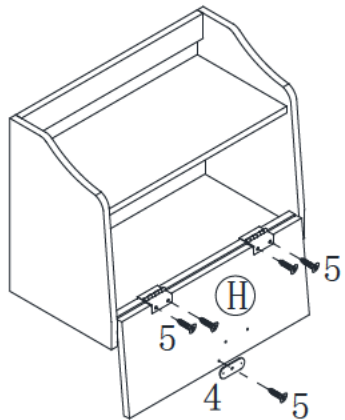
Step5



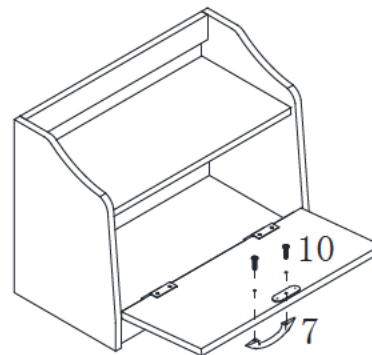
Step6



Step7



Step8



Step9

