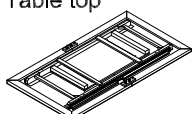



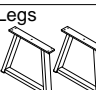

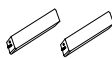

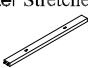



ASSEMBLY INSTRUCTION FOR DINING TABLE WITH 18" LEAF

Caution: Please read instructions thoroughly before unpacking assembly parts. Sharp, exposed staple tips can cause injury, therefore, for your protection, please remove any exposed staples used in packing.

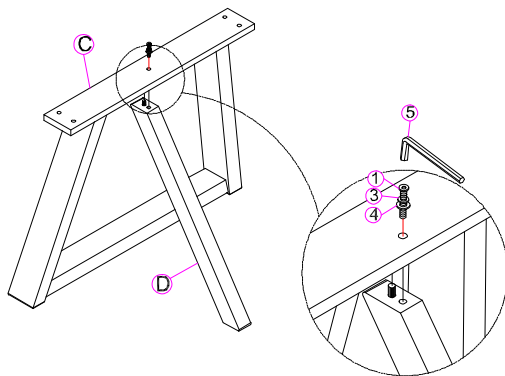
1. We recommend that you should assemble this product with the assistance of another person; this will make assembly easier, and will help to eliminate damage to the product or injury to persons during assembly.
2. Be sure to check all packing materials carefully for small parts that may have come loose inside the carton during shipment.
3. Please do not over tighten screws or bolts.
4. Please put all parts on a non-abrasive floor before assembly, and follow the assembly steps to assemble your newly purchased product correctly and efficiently.

PARTS LIST			HARDWARE LIST			
NO.	PART DESC	Q'TY	NO.	HARDWARE DESC		Q'TY
A	Table top 	1pc	1	 Allen bolt(Ø5/16" x 2")	PD-12980-DTHW	12pcs
B	Leaf 	1pc	2	 Allen bolt(Ø5/16" x 2-1/2")		2pcs
C	Left/Right Legs  PD-12980-3-DTLEG	2pcs	3	 Spring washer (Ø5/16")		14pcs
D	Left/Right Stretchers  PD-12980-3-DTSTR1	2pcs	4	 Flat washer(Ø5/16")		14pcs
E	Center Stretcher  PD-12980-3-DTSTR2	1pc	5	 Allen key(M4)		1pc

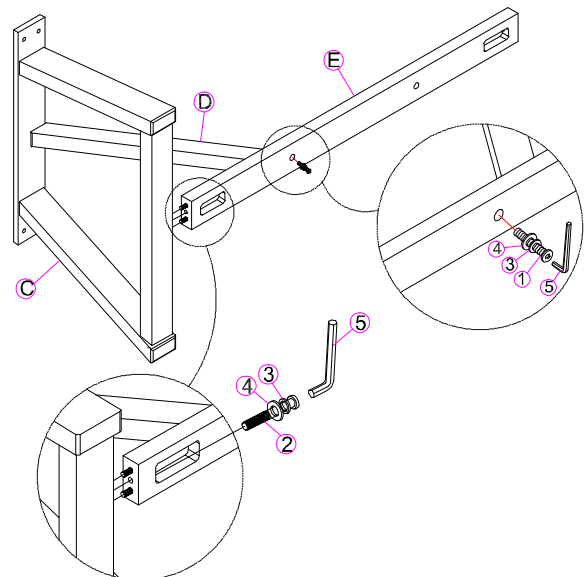


Only tighten all bolts when all bolts aligned with bolt inserts.

STEP: 1

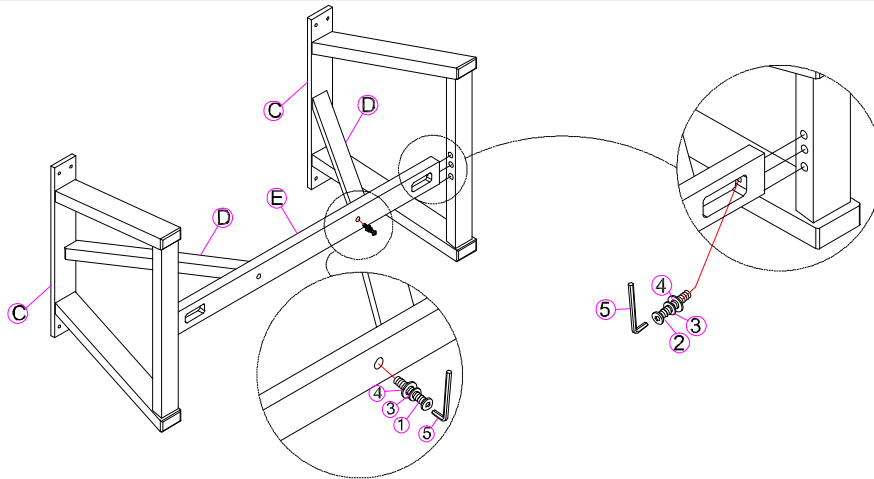


STEP: 2

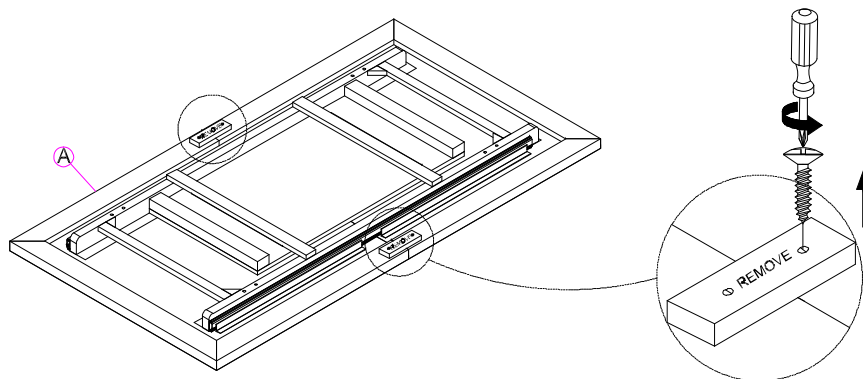


ASSEMBLY INSTRUCTION FOR DINING TABLE WITH 18" LEAF

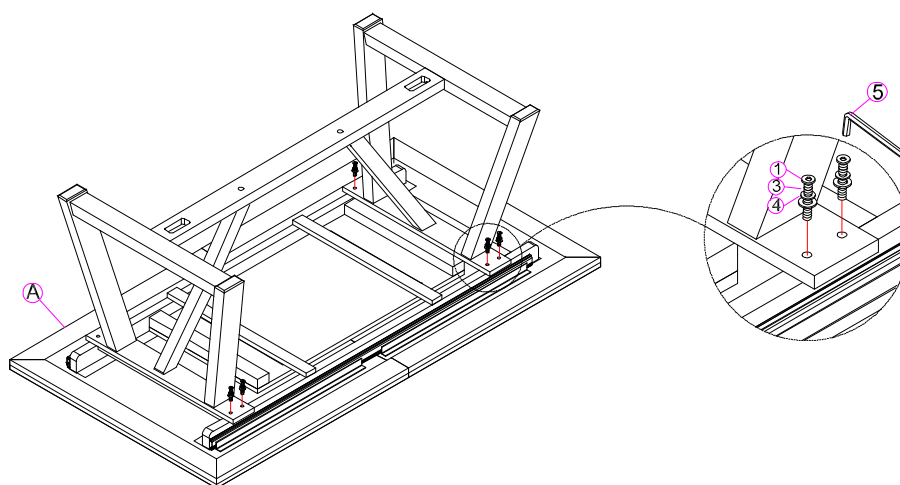
STEP: 3



STEP: 4

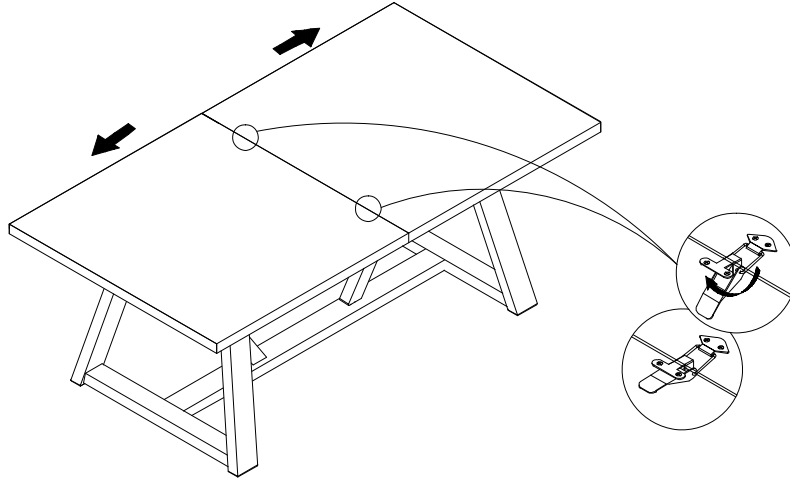


STEP: 5

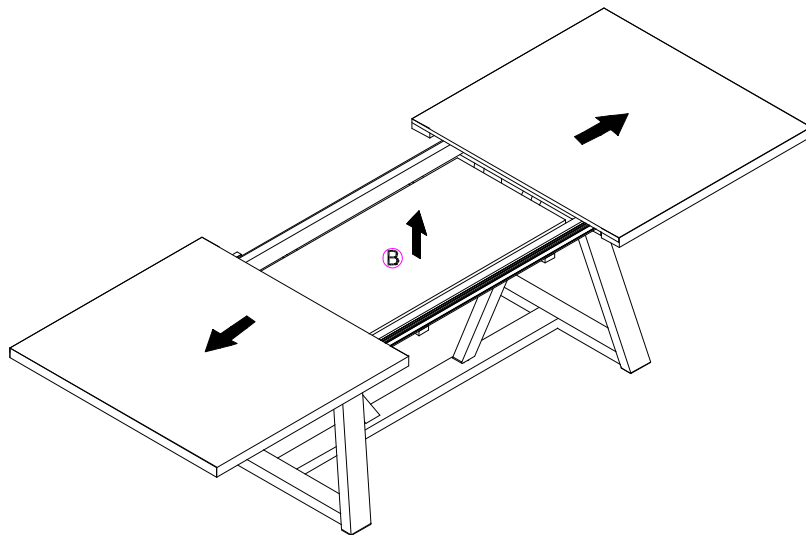


ASSEMBLY INSTRUCTION FOR DINING TABLE WITH 18" LEAF

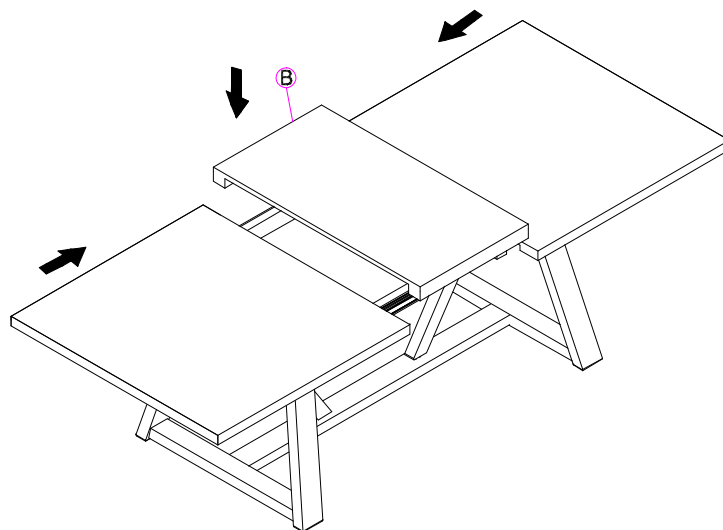
STEP: 6



STEP: 7

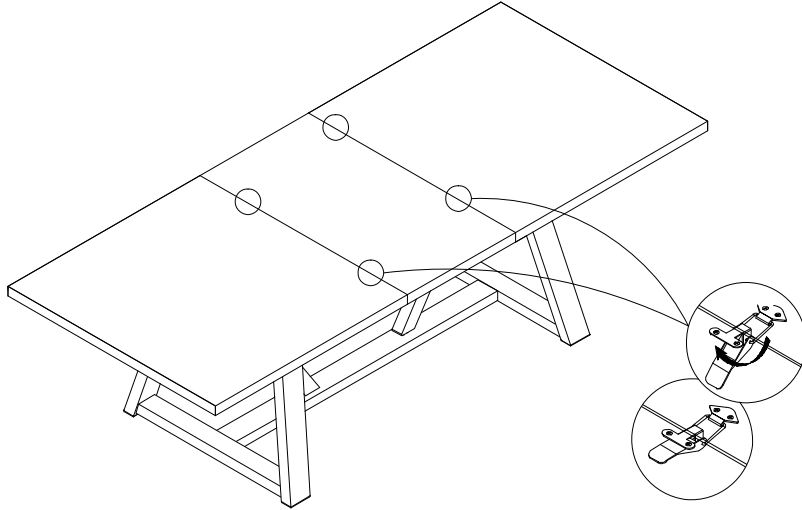


STEP: 8



ASSEMBLY INSTRUCTION FOR DINING TABLE WITH 18" LEAF

STEP: 9



Completed

