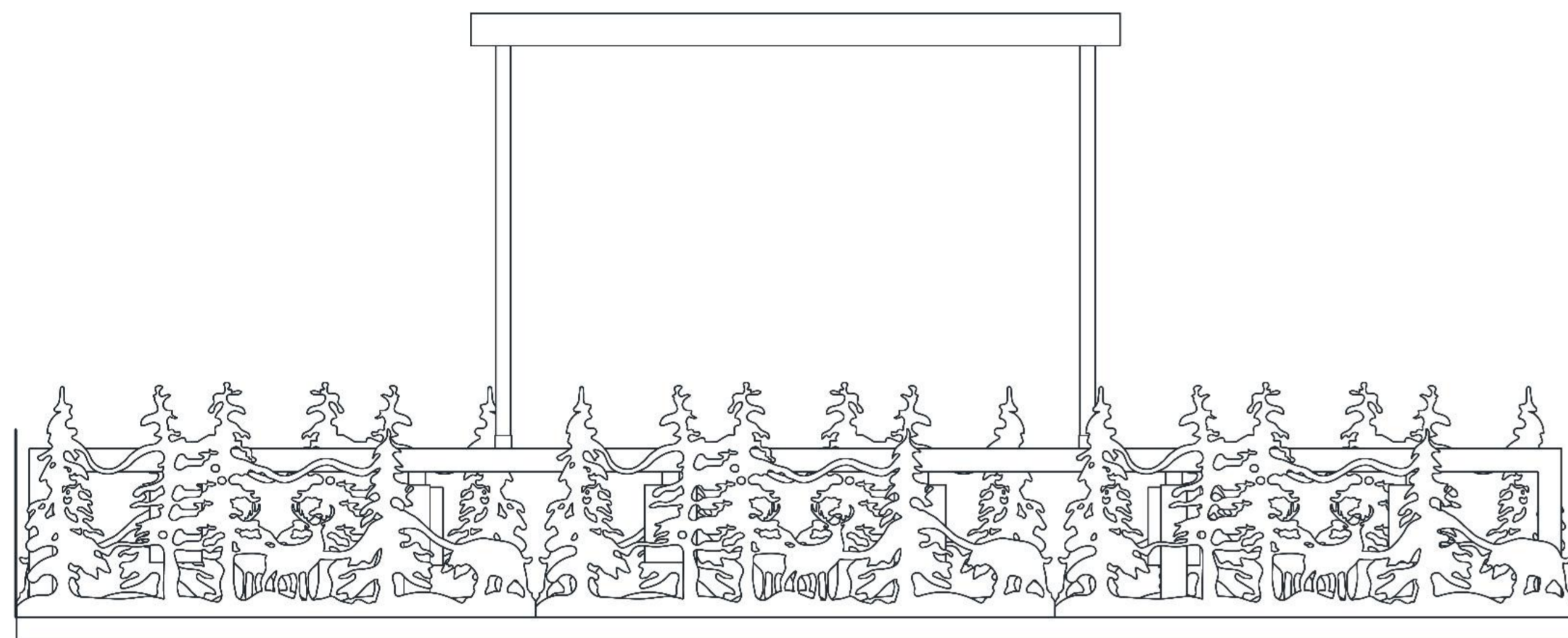


15 Install 6 E26 bulbs (bulbs not included)



INSTALLATION GUIDE FOR 7024

WARNINGS AND CAUTIONS

Released Date:2025-10

READ AND SAVE THESE INSTRUCTIONS

Please read and understand this entire manual before attempting to assemble, install or operate the product.

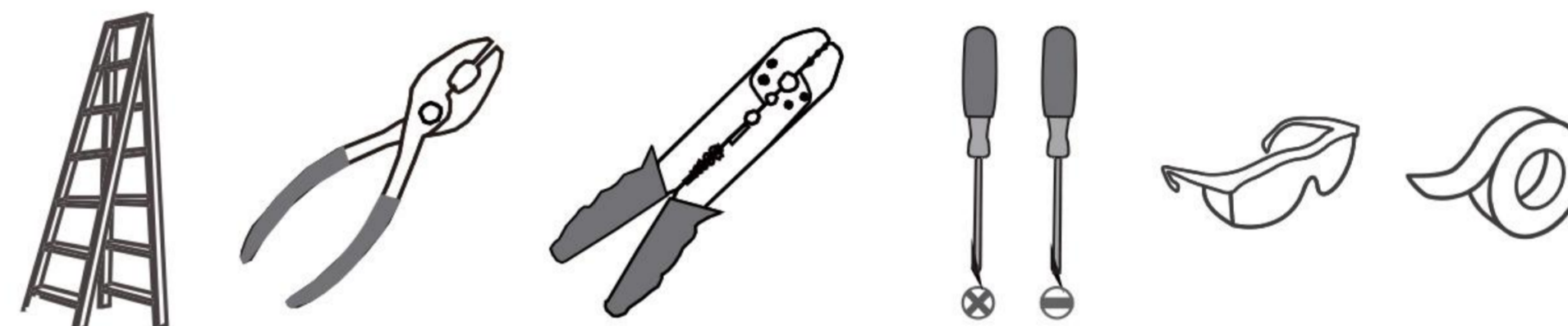
WARNING

- RISK OF ELECTRIC SHOCK - Before beginning installation, turn off electricity at the circuit breaker box or the main fuse box.
- RISK OF FIRE - Use bulbs specified by the markings and/or labels on the fixture.

CAUTION

- For your safety, read instructions completely before beginning installation.
- If in doubt about electrical installation, consult a licensed electrician.
- Turn off electricity to fixture before replacing the bulb(s).

TOOLS REQUIRED

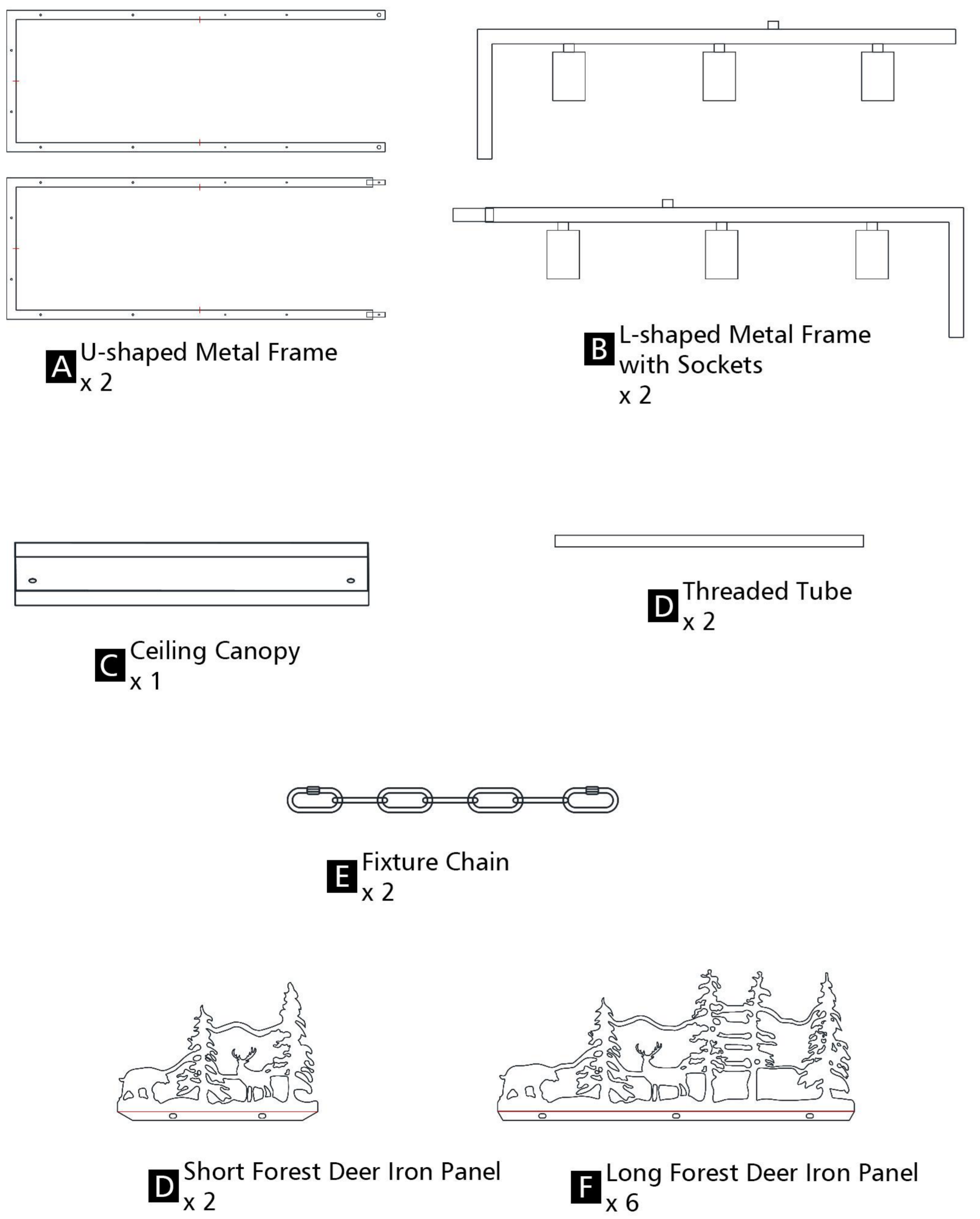


CARE AND MAINTENANCE

- Wipe clean using soft, dry cloth or static duster. Always avoid using harsh chemicals and abrasives to clean fixture as they may damage the finish.

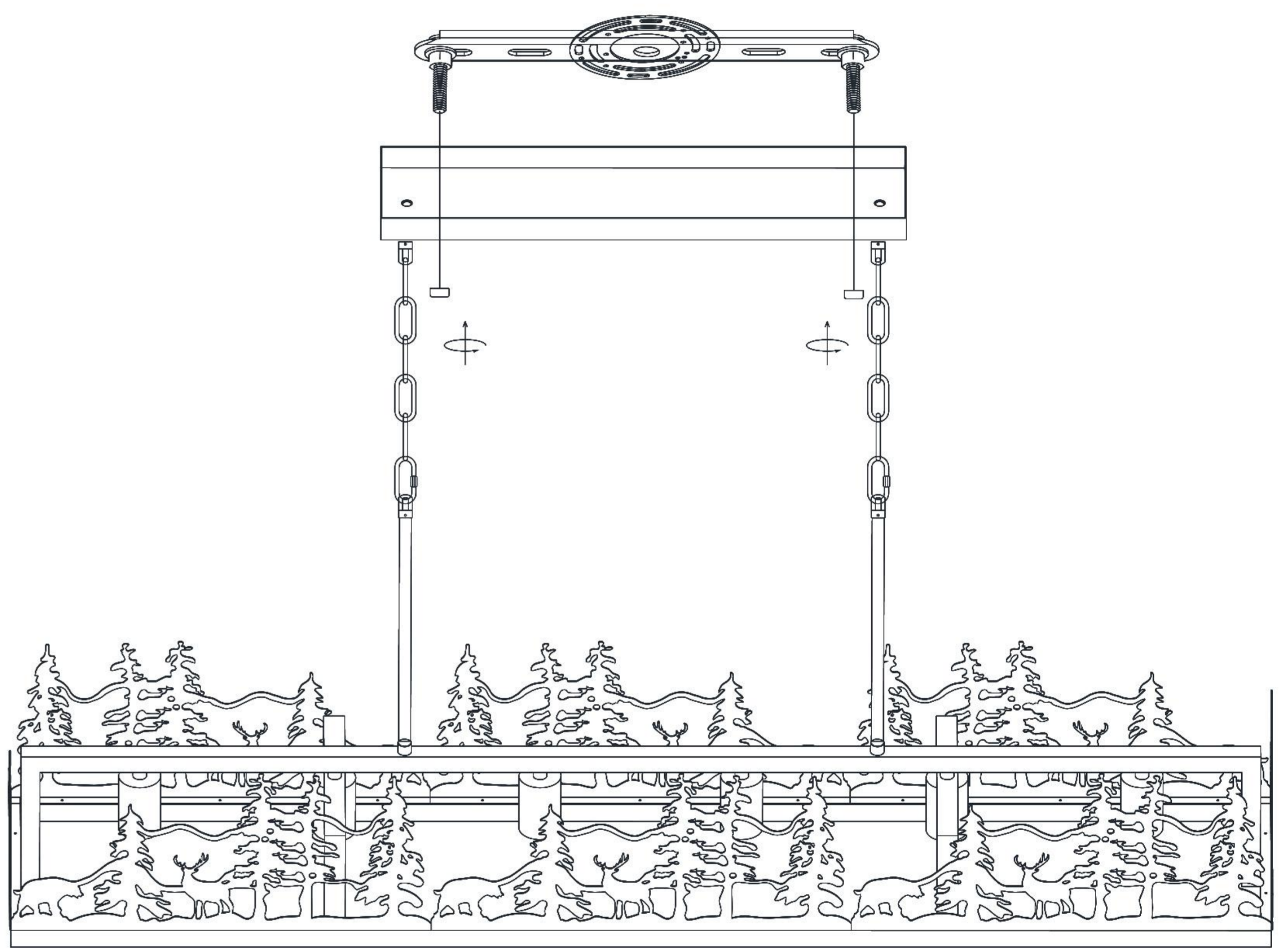
If you need further assistance contact our After Customer Care at **betteraftersaleservice01@outlook.com**, we will reply you in 24 hours.

PACKAGE CONTENTS



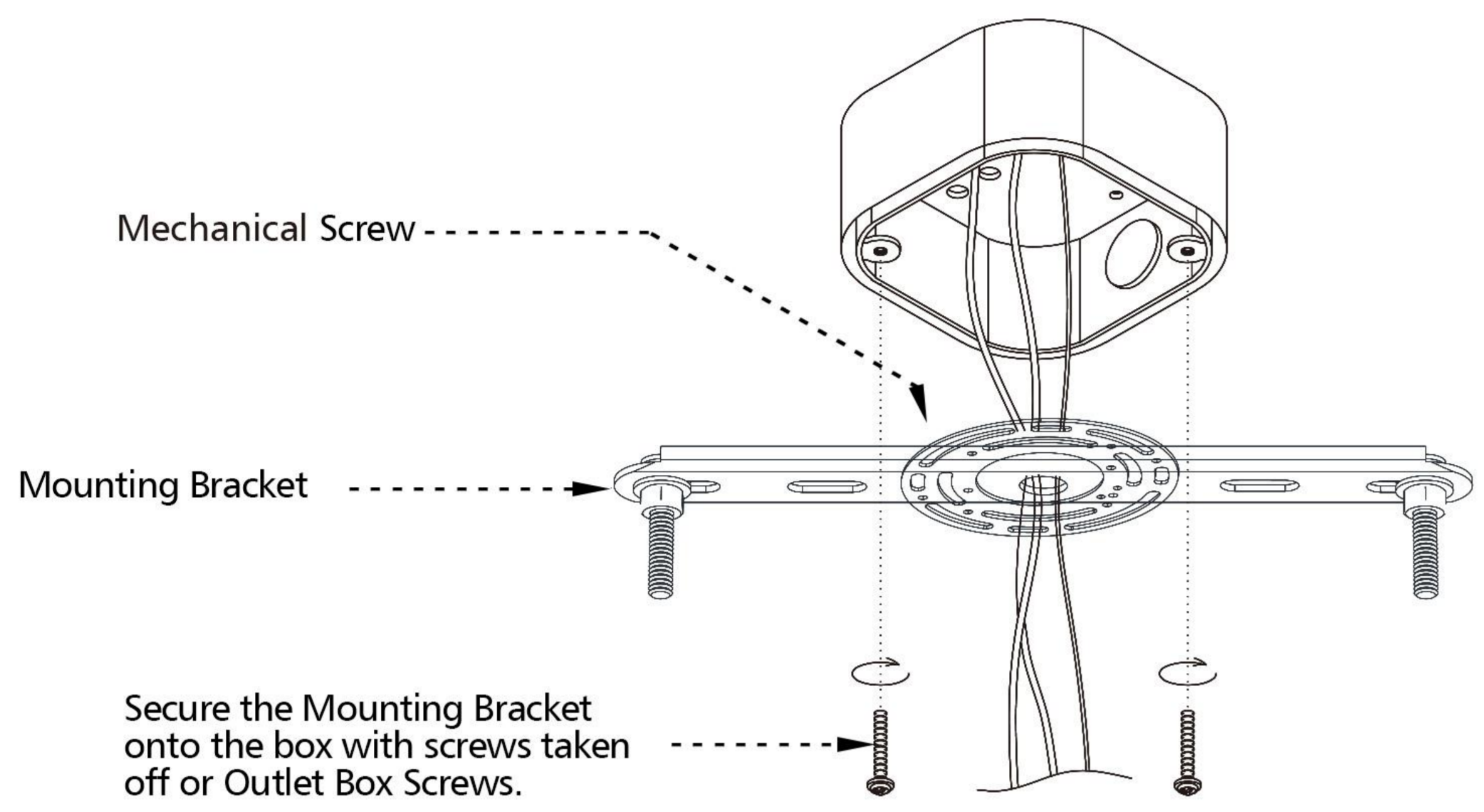
INSTALLATION

14 Install the fixture body onto the mounting bracket, and secure it by tightening the nut

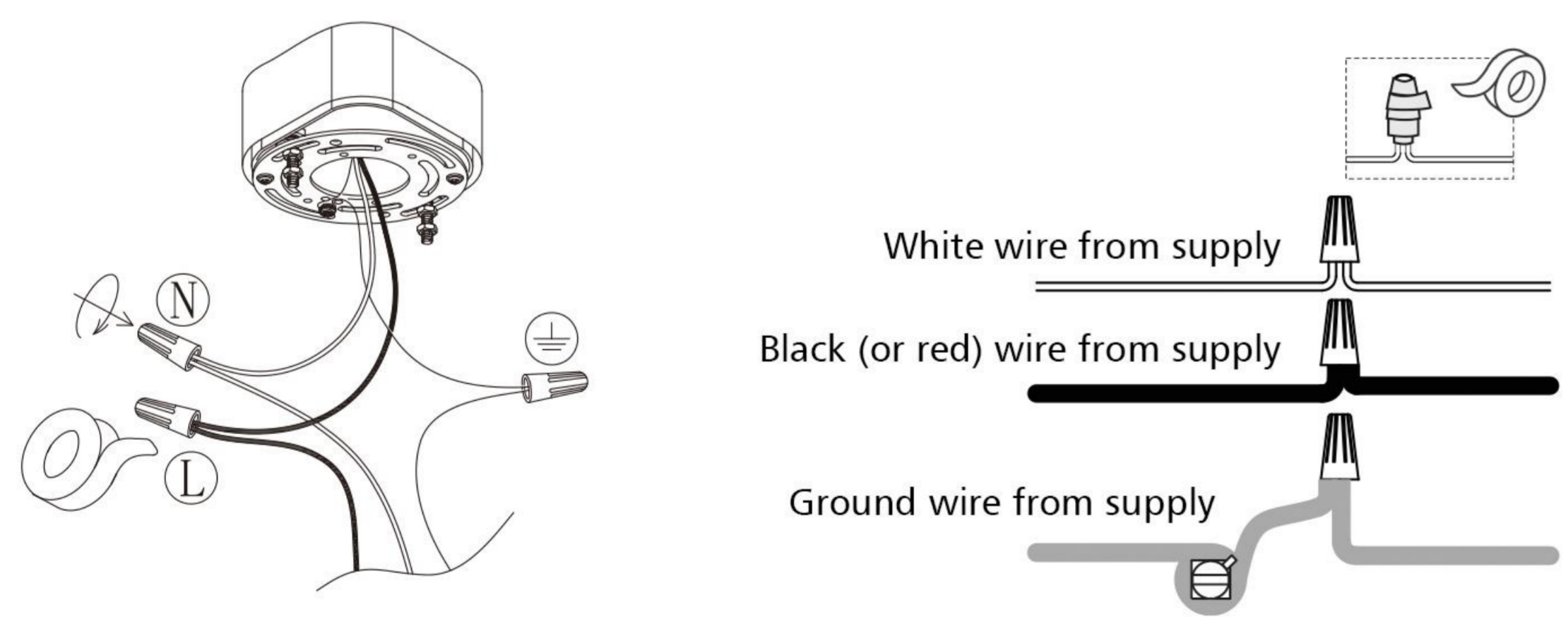


INSTALLATION

12 Install the Mounting Bracket

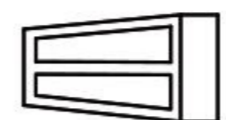
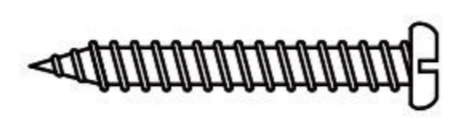


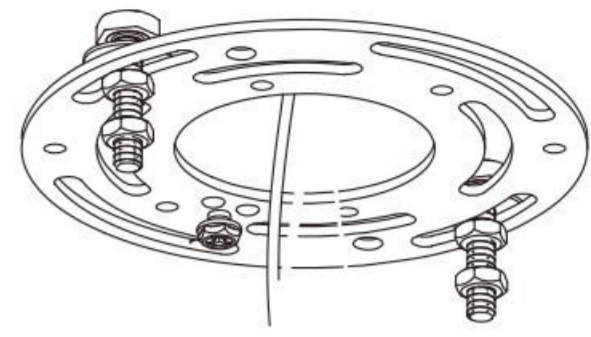


13 Wiring



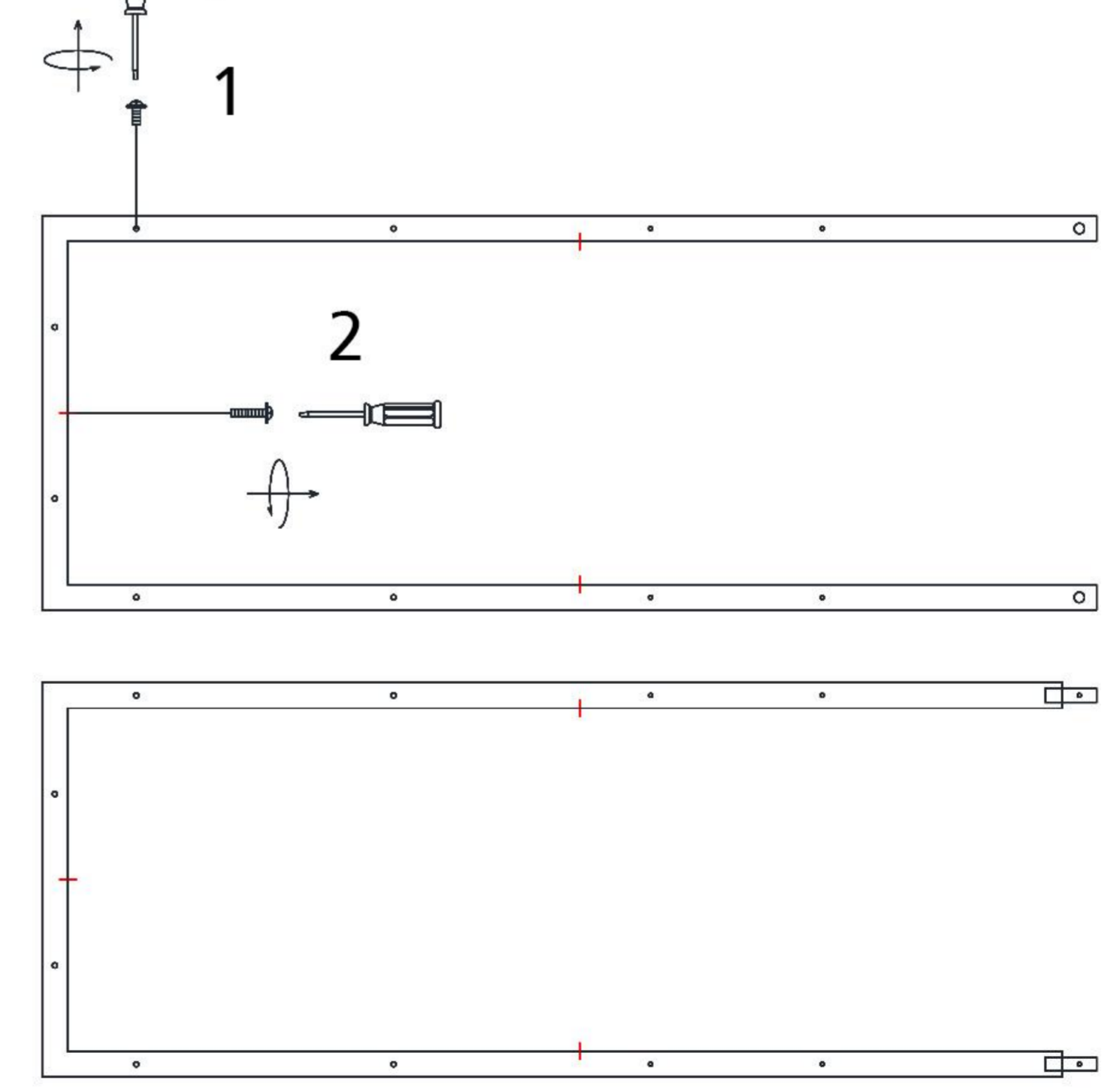
- Step 1:** Connect the wires from the fixture to the house supply wires nuts, ground wire (green, green/yellow, or bare) to ground wire, neutral wire(white)to neutral wire, and hot wire (black) to hot wire. Wrap the connection with electric tape.
- Step 2:** Spread apart the wires so that the hot wires are on one side of the outlet box and the neutral wires are on the other side.

PACKAGE CONTENTS (PARTS BAG 1)

-  **AA** Wire Connector x 4
-  **BB** Screw x 4
-  **CC** Wall Anchor x 4
-  **DD** Mechanical Screw x 2
-  **EE** Mounting Bracket x 1

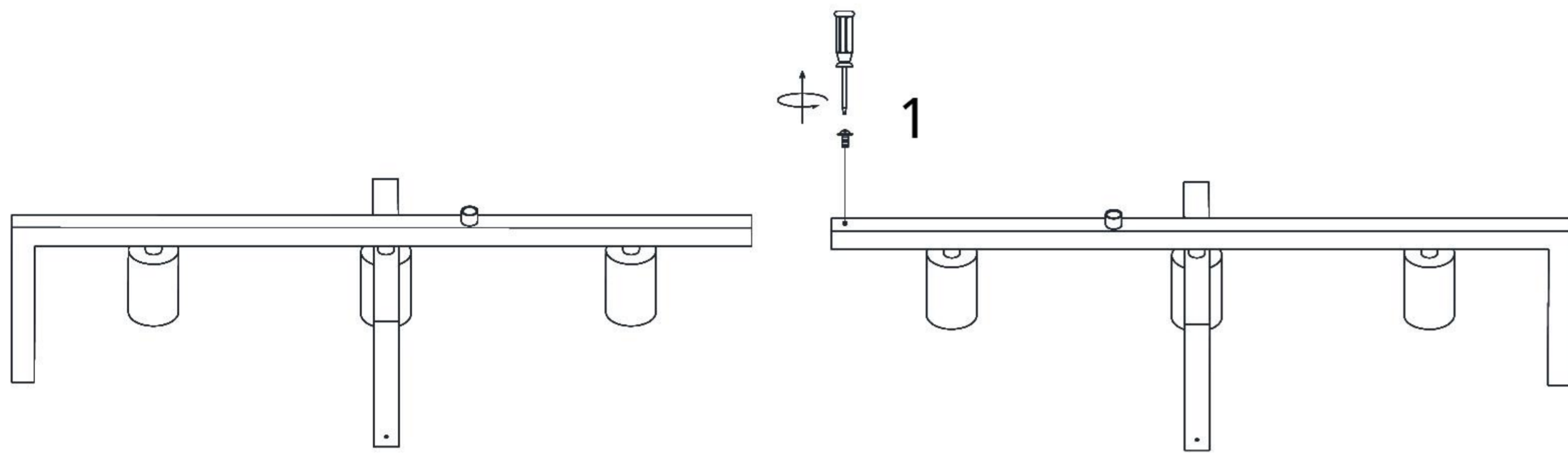
INSTALLATION

- 1** 1. Remove all short screws from the U-shaped metal frames
Each U-shaped metal frame has 14 short screws, for a total of 28 short screws. Please keep them for later use
2. Remove the long screws from the U-shaped metal frames.
Each U-shaped metal frame has 1 long screw, for a total of 2 long screws. Keep the long screws separate from the short ones for later installation

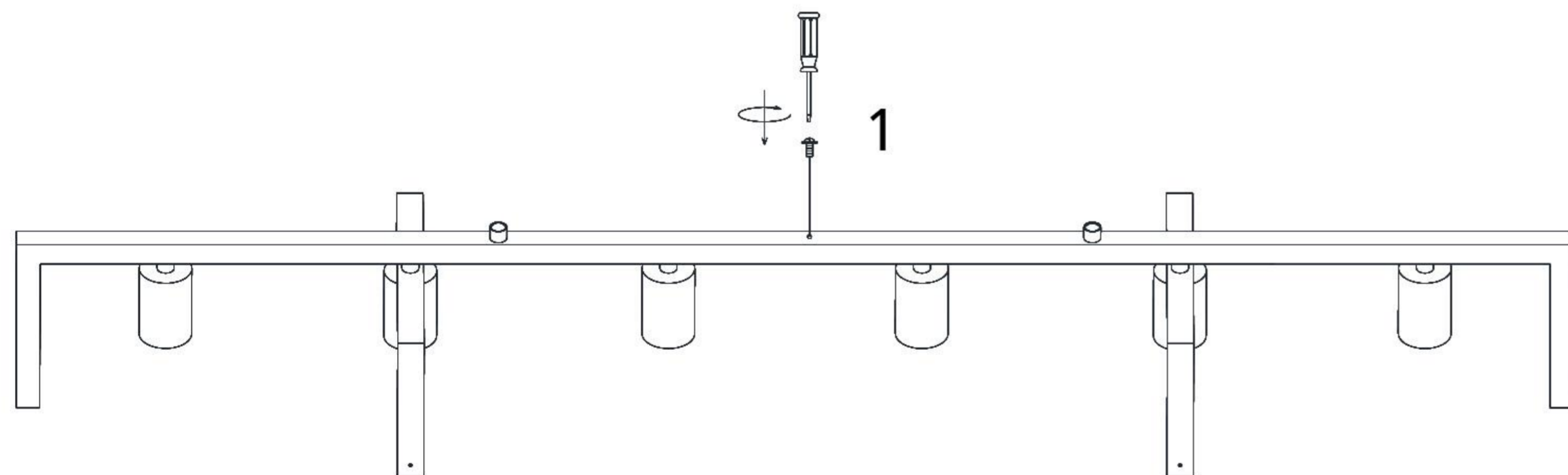


INSTALLATION

- 2** 1. One of the L-shaped metal brackets with socket has 2 protruding screws
2. Please remove these 2 screws and keep them for later use in the next step for fixation

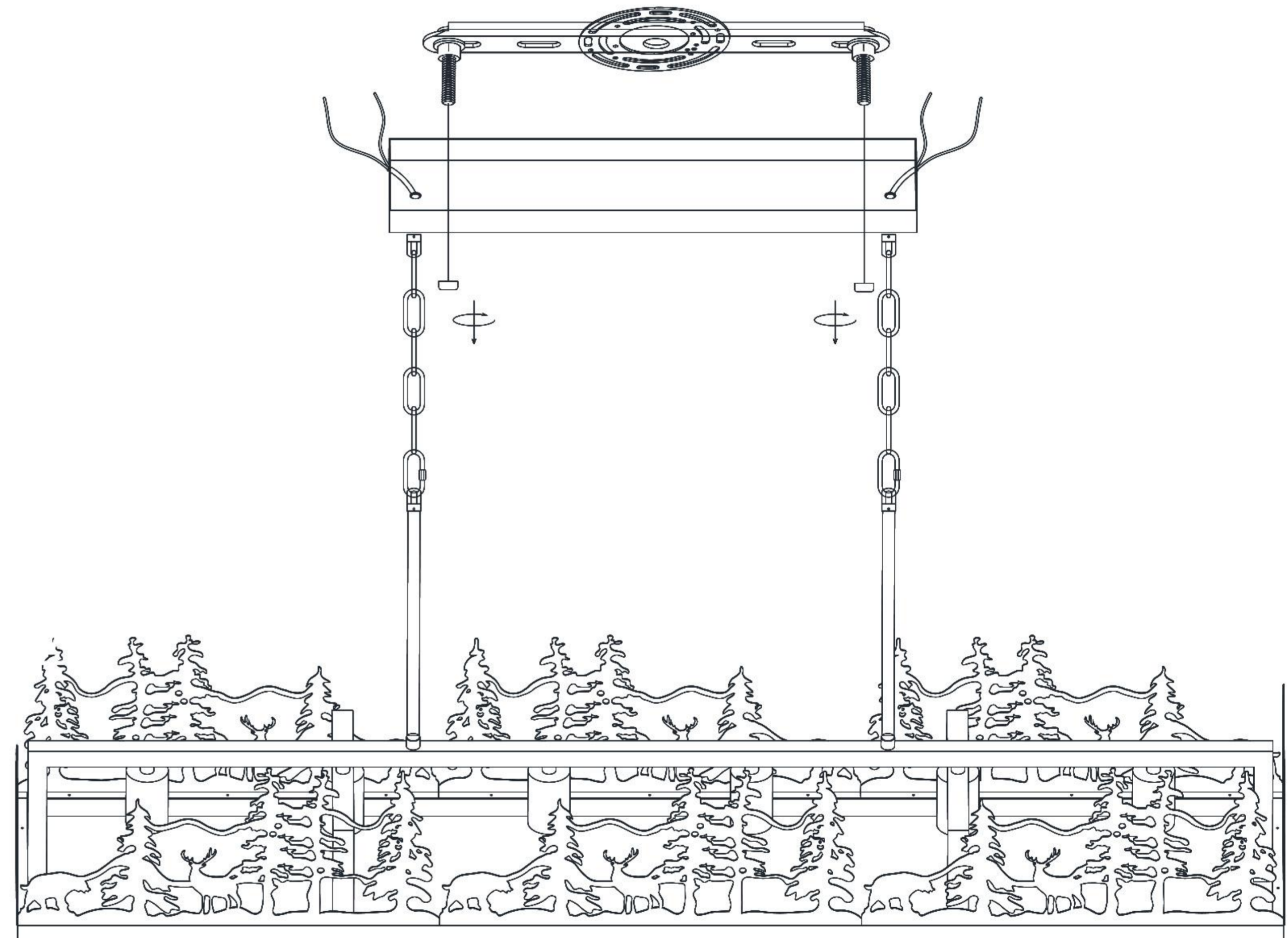


- 3** Insert the 2 L-shaped metal frames with sockets into each other, and secure them using the 2 screws removed in Step 2



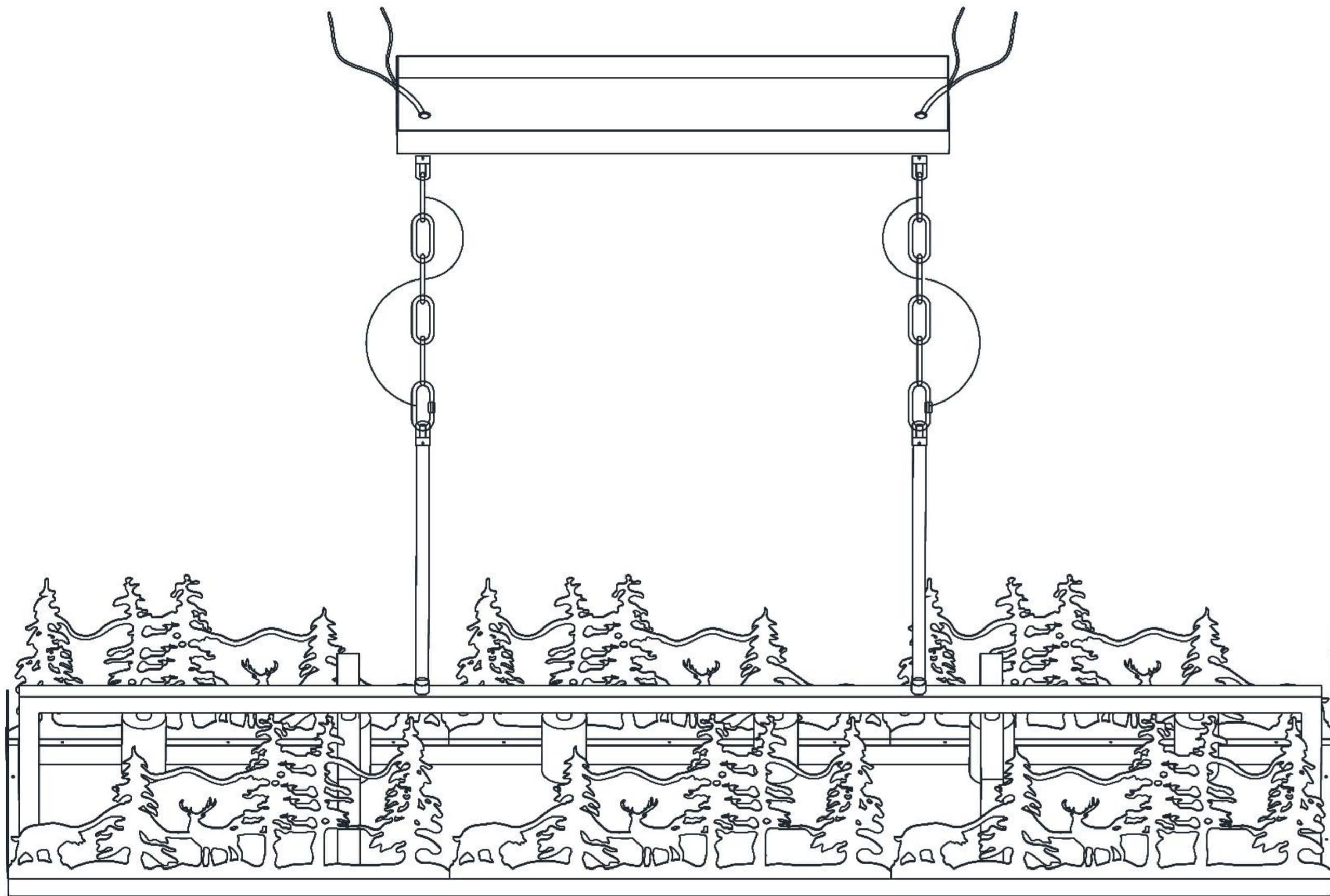
INSTALLATION

- 11** 1. Unscrew the nuts **1** on both sides of the ceiling canopy
2. Take out the hanging bracket **2**



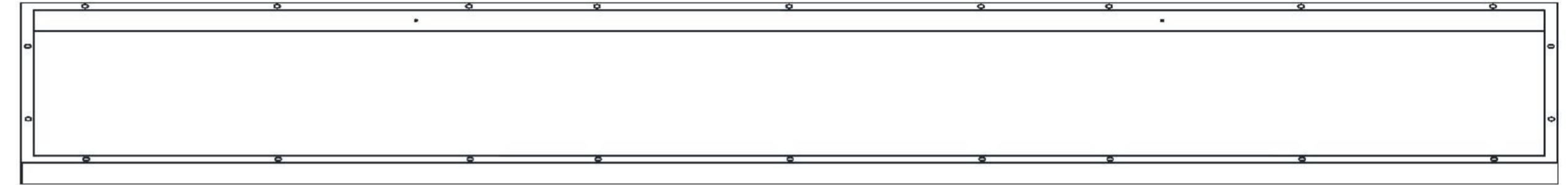
INSTALLATION

- 10** 1. Take out 2 hanging chains
2. attach one end of each chain with the quick link to the threaded tube, and fasten the other end to the ceiling canopy

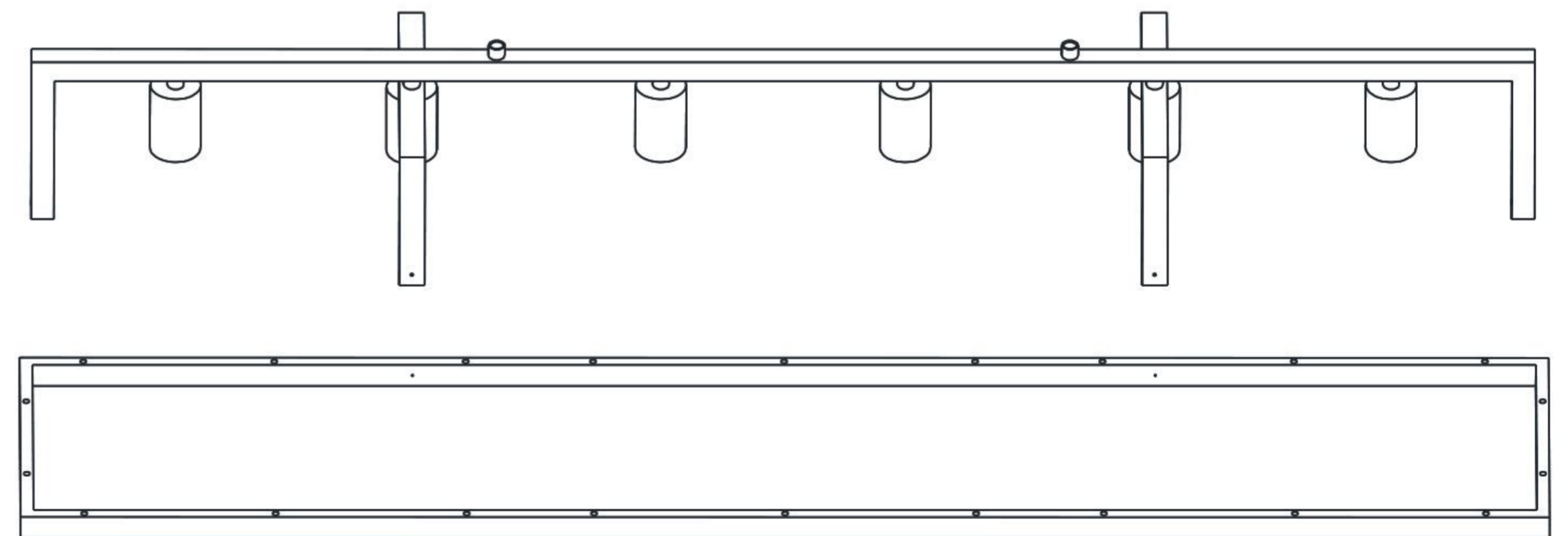


INSTALLATION

- 4** Insert the 2 U-shaped metal frames into each other, as shown in the diagram below



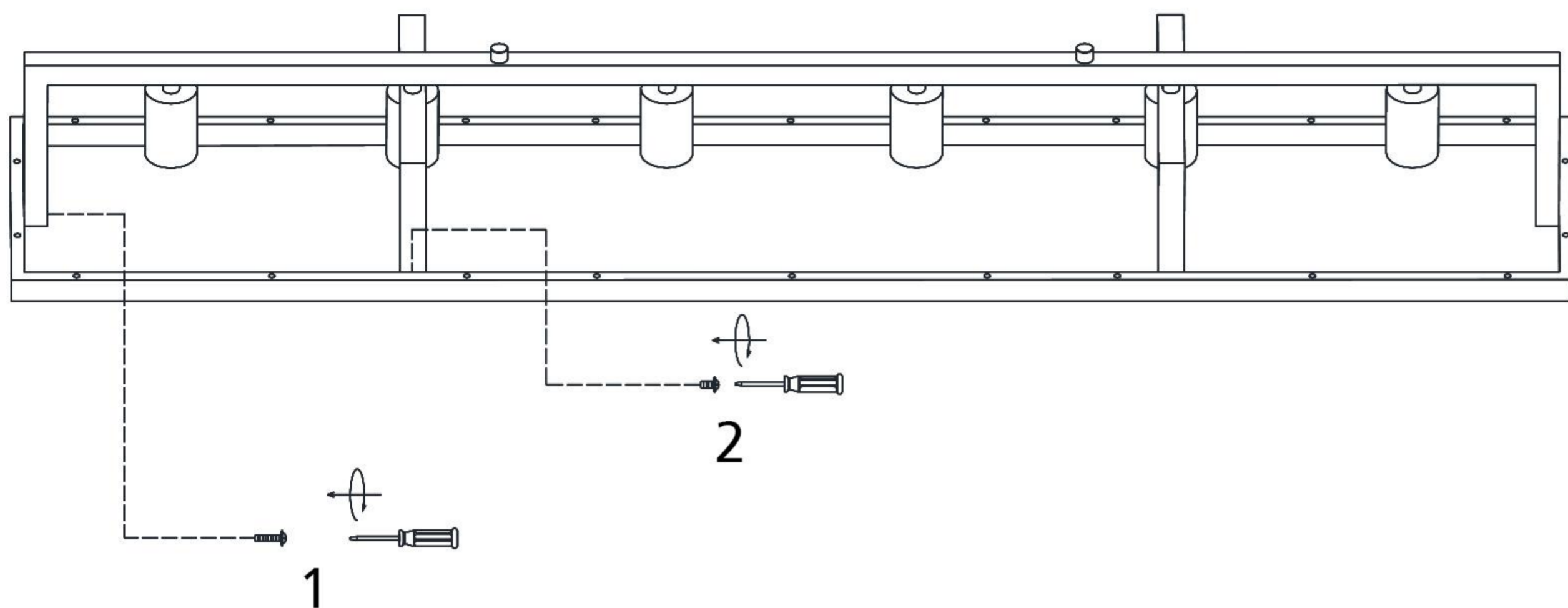
- 5** Place the U-shaped metal frames and the L-shaped metal frame with sockets as shown in the diagram below



INSTALLATION

- 6** 1. Insert one long screw into the position marked No. 1 in the diagram below. Repeat the same step on the opposite side. A total of two long screws are required

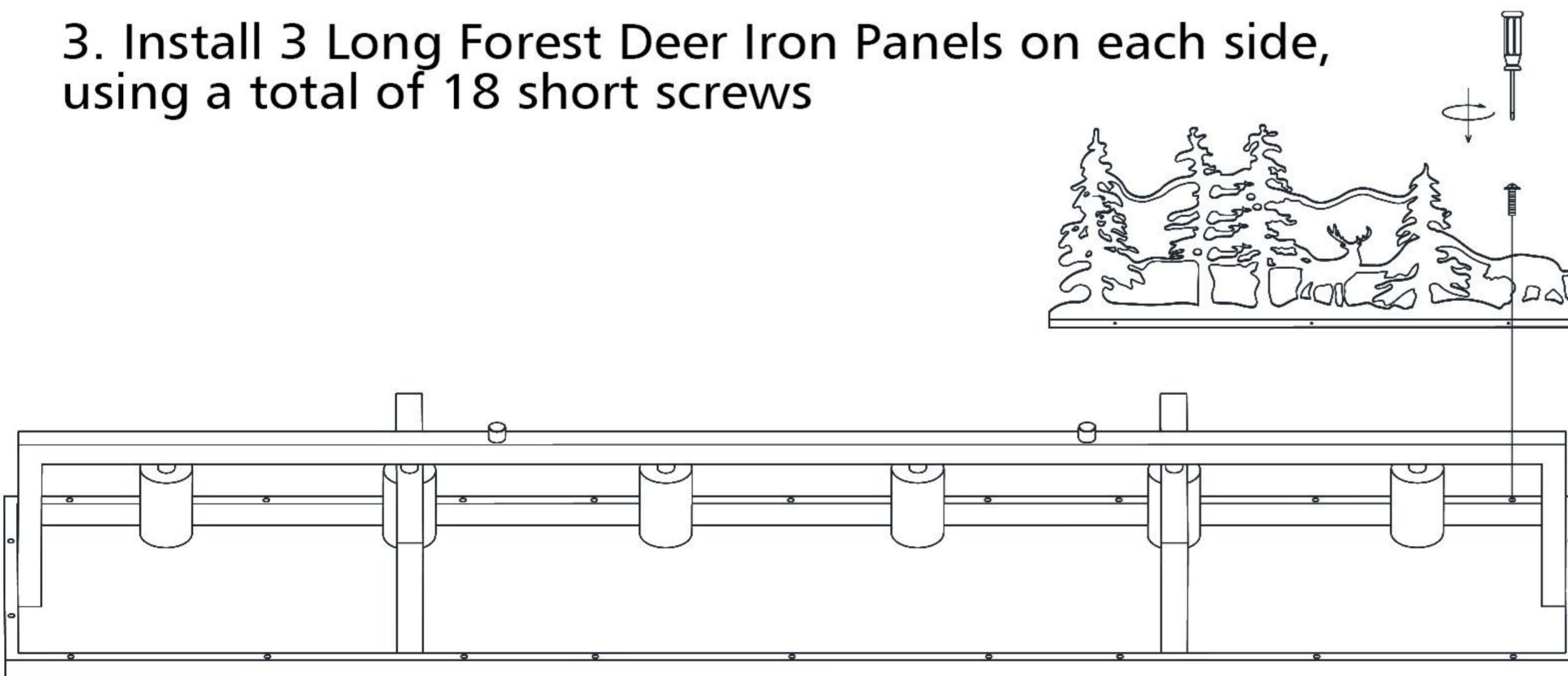
2. Insert one short screw into the position marked No. 2 in the diagram below. Repeat this step for the other three joints, using a total of four short screws



- 7** 1. Attach Long Forest Deer Iron Panel to the long side of the U-shaped metal frame using short screws

2. Each Long Forest Deer Iron Panel requires 3 short screws

3. Install 3 Long Forest Deer Iron Panels on each side, using a total of 18 short screws

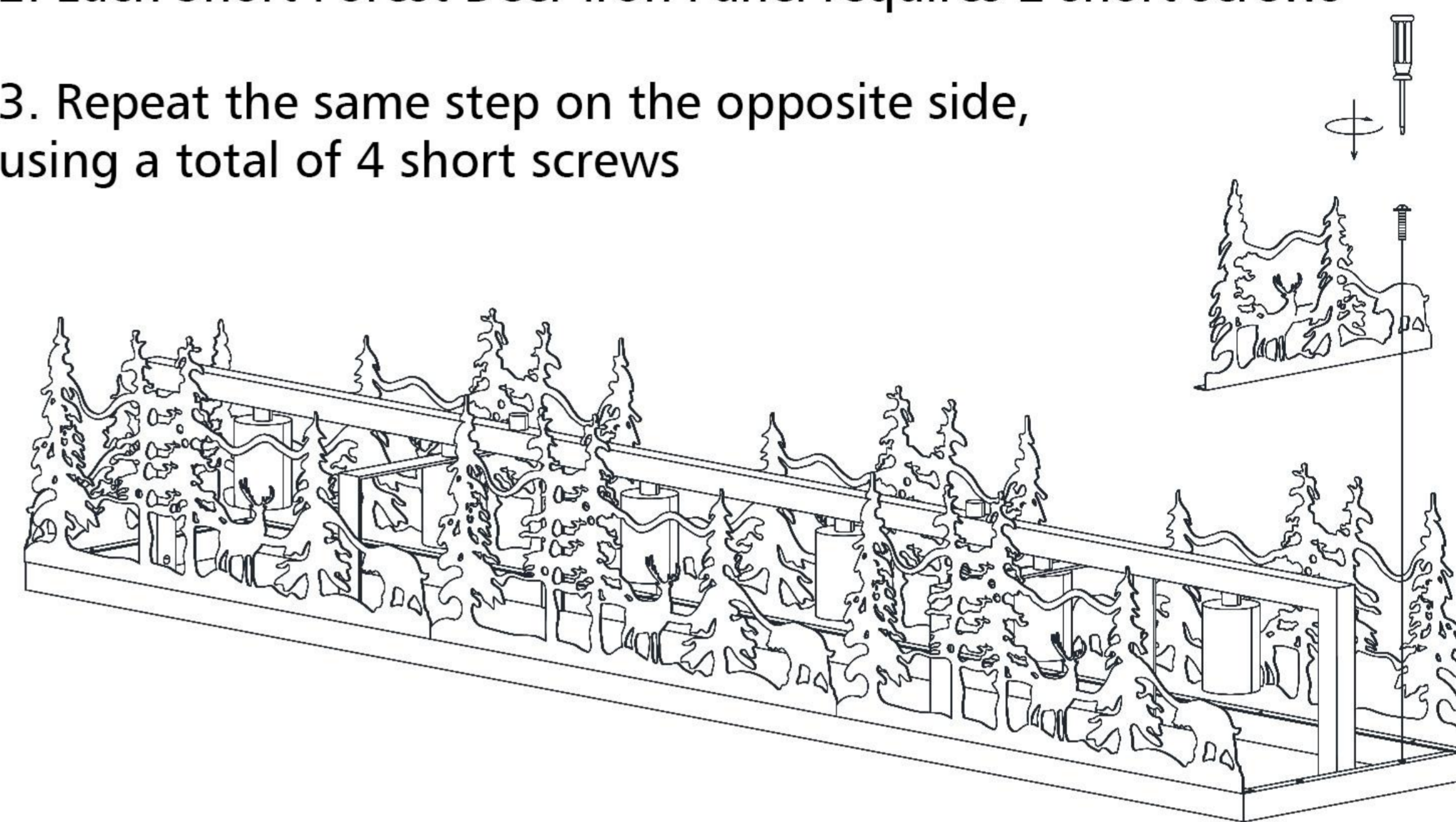


INSTALLATION

- 8** 1. Attach Short Forest Deer Iron Panel to the short side of the U-shaped metal frame using short screws

2. Each Short Forest Deer Iron Panel requires 2 short screws

3. Repeat the same step on the opposite side, using a total of 4 short screws



- 9** 1. Take out 2 threaded tubes
2. pass each power cord through one threaded tube, and then screw the 2 threaded tubes onto the fixture body, as shown in the diagram below

