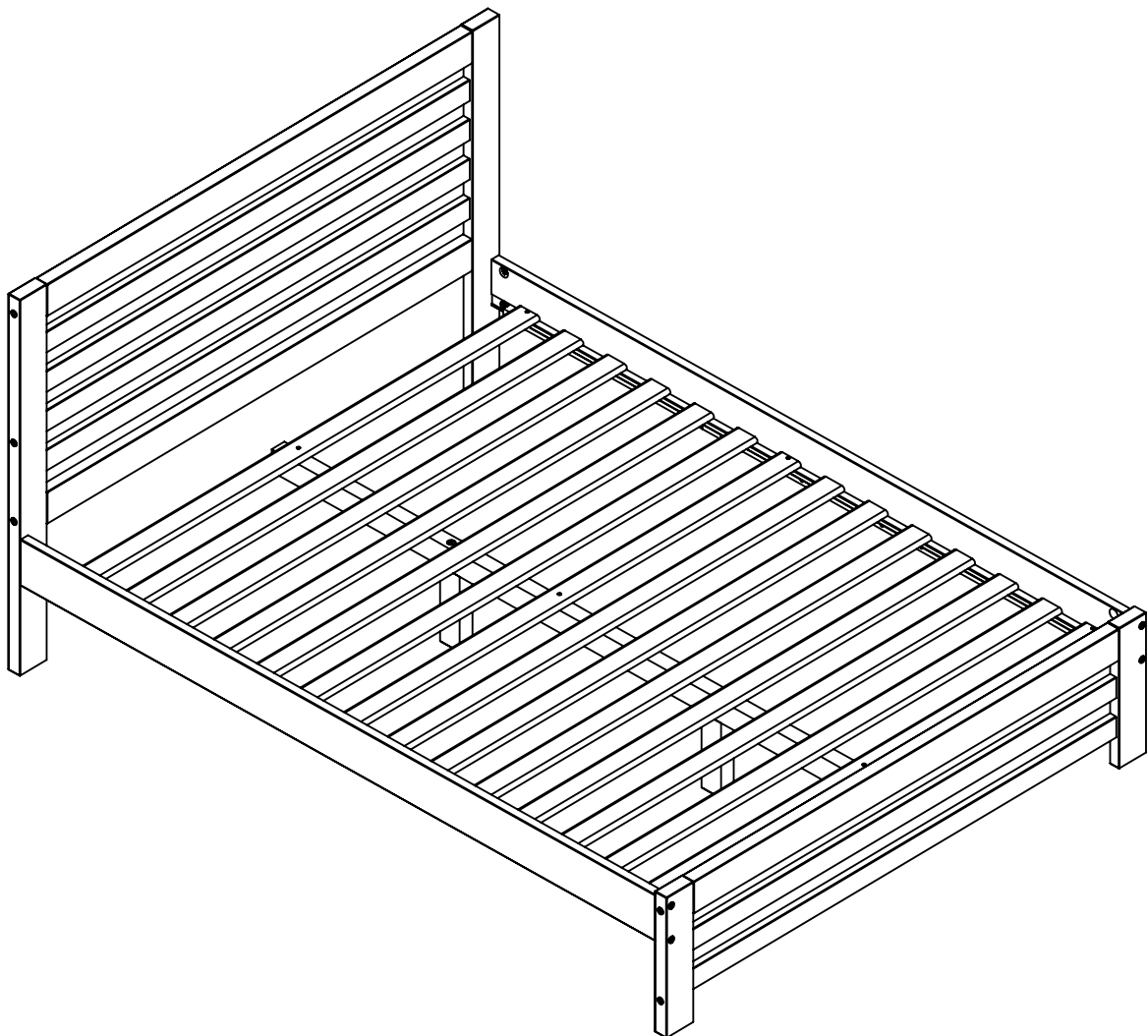


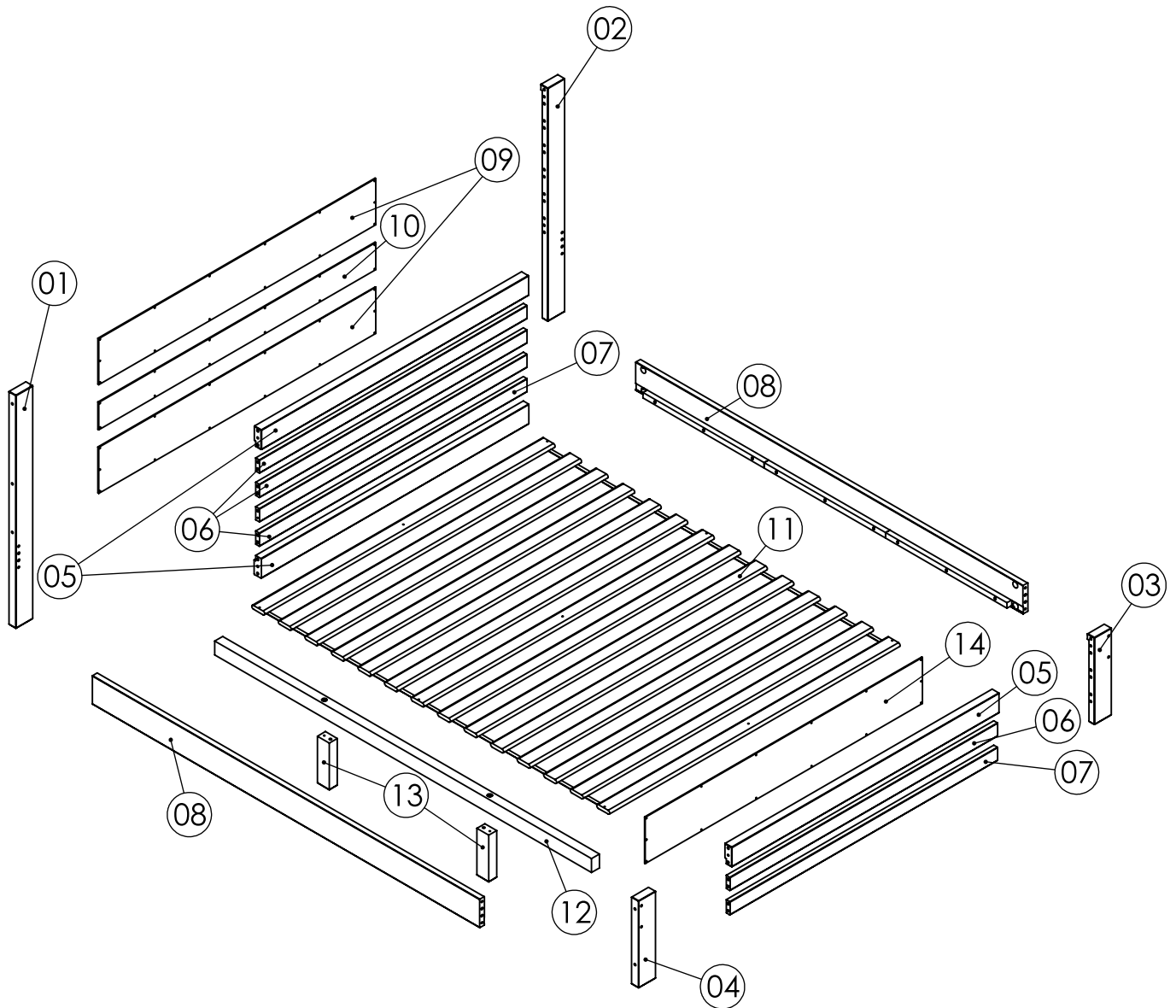
Thank you for purchasing. We hope you get years of enjoyment from your new bed. The unique brushing process highlights the woods natural grain. All our wood is planta on grown. No two pieces of wood are the same, enjoy the natural beauty of wood, every piece of wood has unique grain and color and knots, these differences in texture and color create the look only solid wood provides.

The success or failure of a product sold on the I nternet is a direct reflect on of positive or negative reviews. We would be grateful if you could post a positive review and help this products success, thank you for your help.

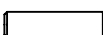
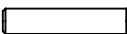

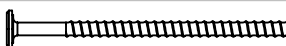
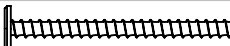

## **PLATFORM - FULL/QUEEN**

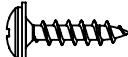


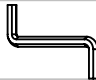




# COMPONENTS



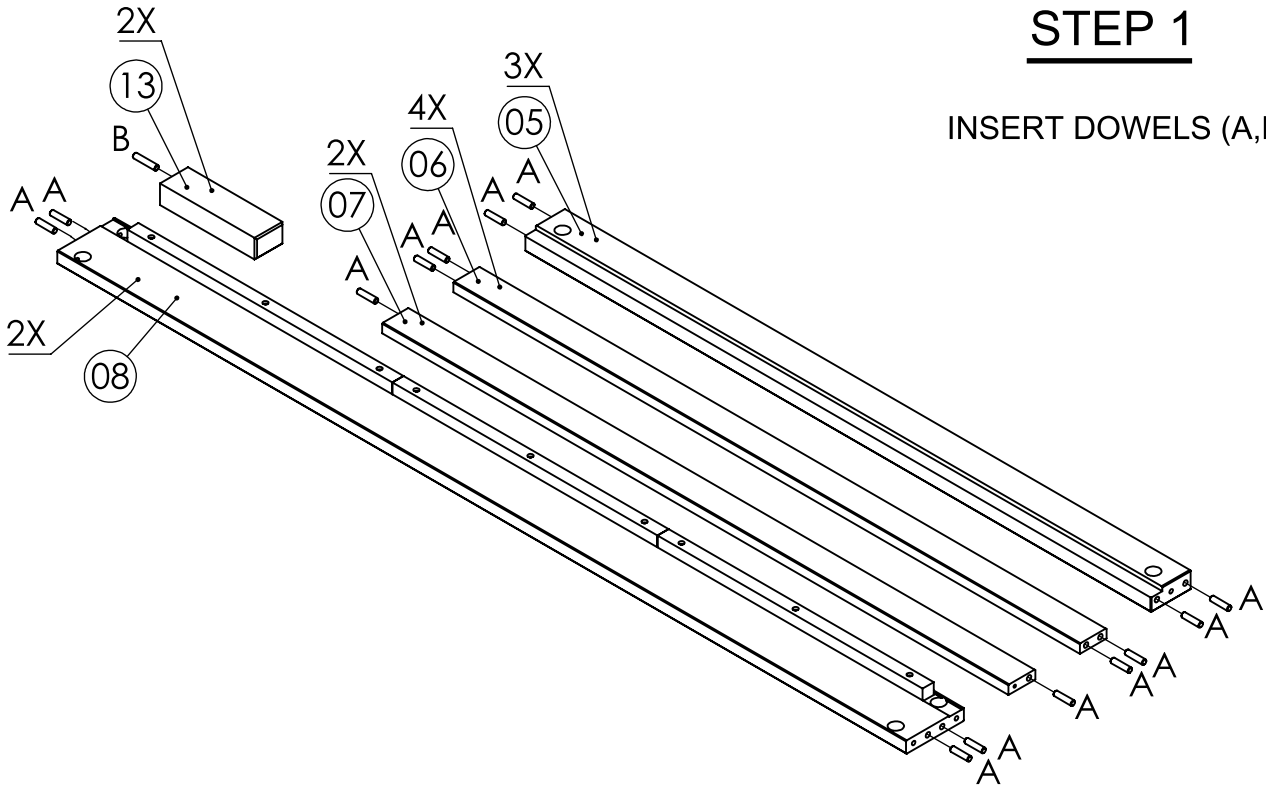
## HARDWARE

A		10X40	40
B		10X50	02
C		(17) 1/4 X 130	06
D		(17) 7 X 130	04
E		(17) 7 X 90	02
F			14

G		CF 3,5X16	54
H		CC 4X35	09
I			01
J			01
K		(17) 1/4 X 80	08
L		CC 3,5X16	06

# STEP 1

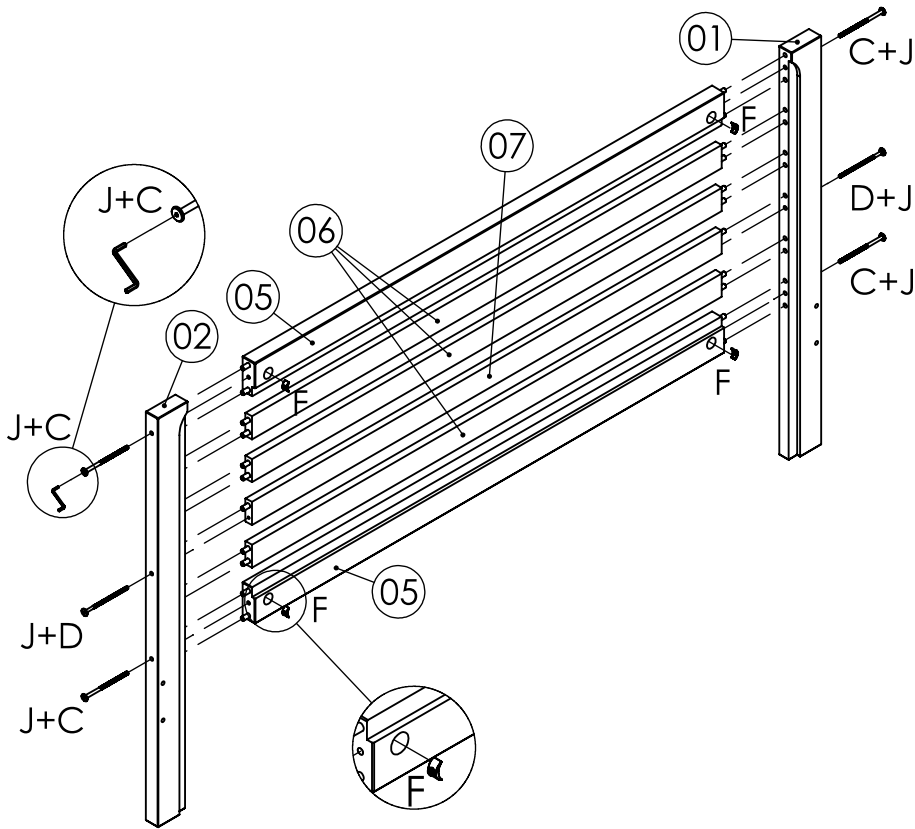
INSERT DOWELS (A,B)



A		40
B		02

# STEP 2

ATTACH CROSS BOARDS (05,06,07) TO POSTS (01,02).  
 TIGHTEN CROSS BOARDS (05) USING BOLTS (C) & NUTS (F)  
 TIGHTEN CROSS BOARD (07) USING LAG BOLTS (D)

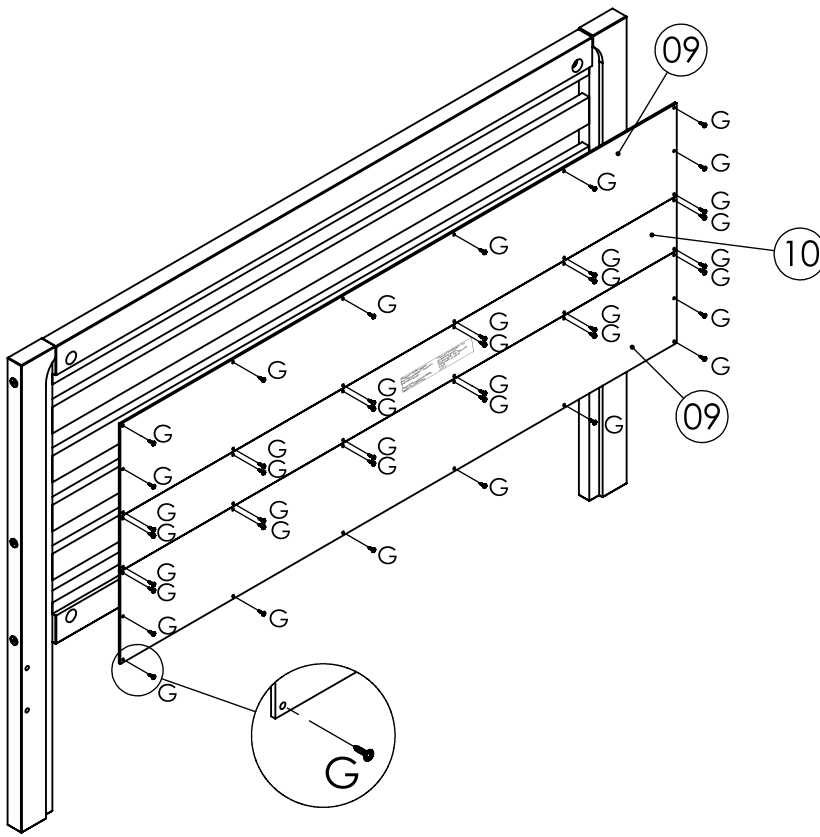


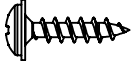
C		04
(17) 1/4 X 130		
D		02
(17) 7 X 130		

F		04
J		01

### STEP 3

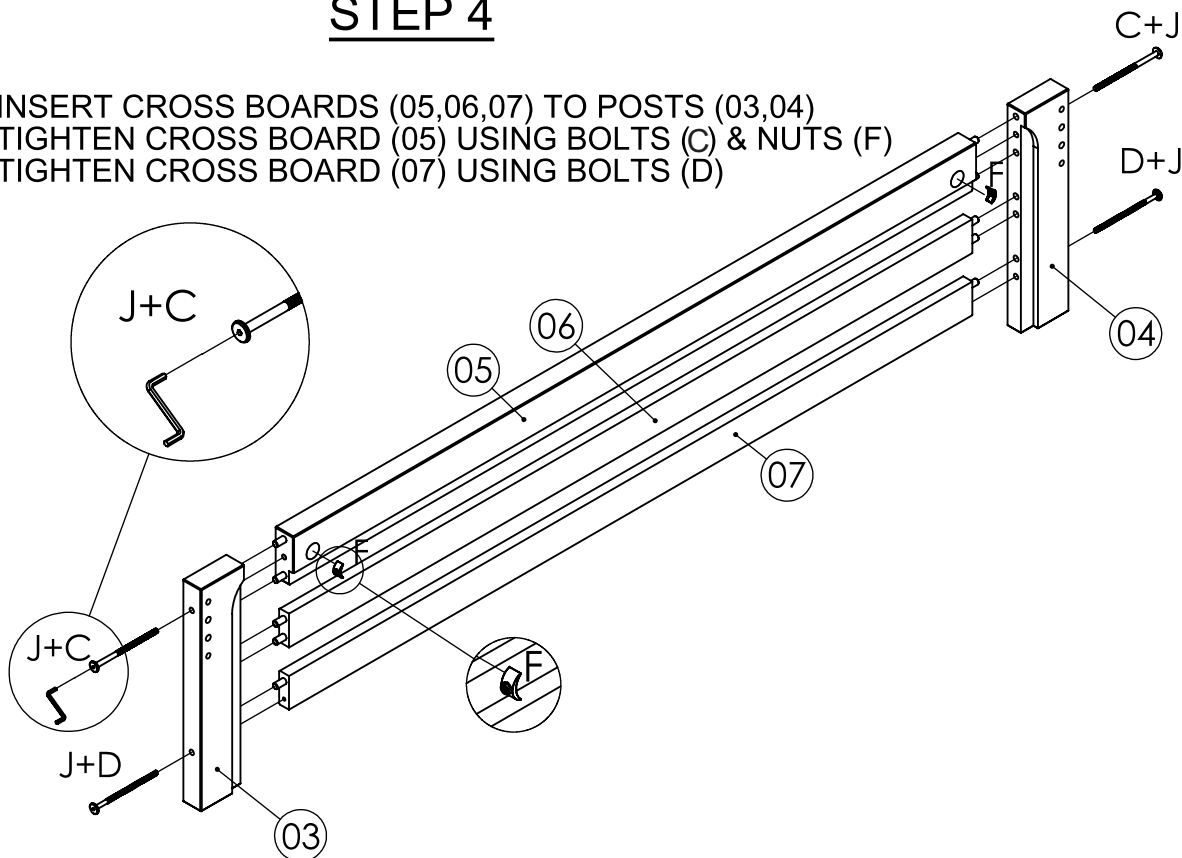
ATTACH PANELS (09,10) TO THE BACK OF HEAD BOARD. TIGHTEN USING SCREWS (G)


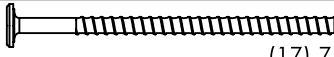



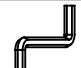
G		CF 3,5X16	40
---	---	-----------	----

### STEP 4

INSERT CROSS BOARDS (05,06,07) TO POSTS (03,04)  
 TIGHTEN CROSS BOARD (05) USING BOLTS (C) & NUTS (F)  
 TIGHTEN CROSS BOARD (07) USING BOLTS (D)

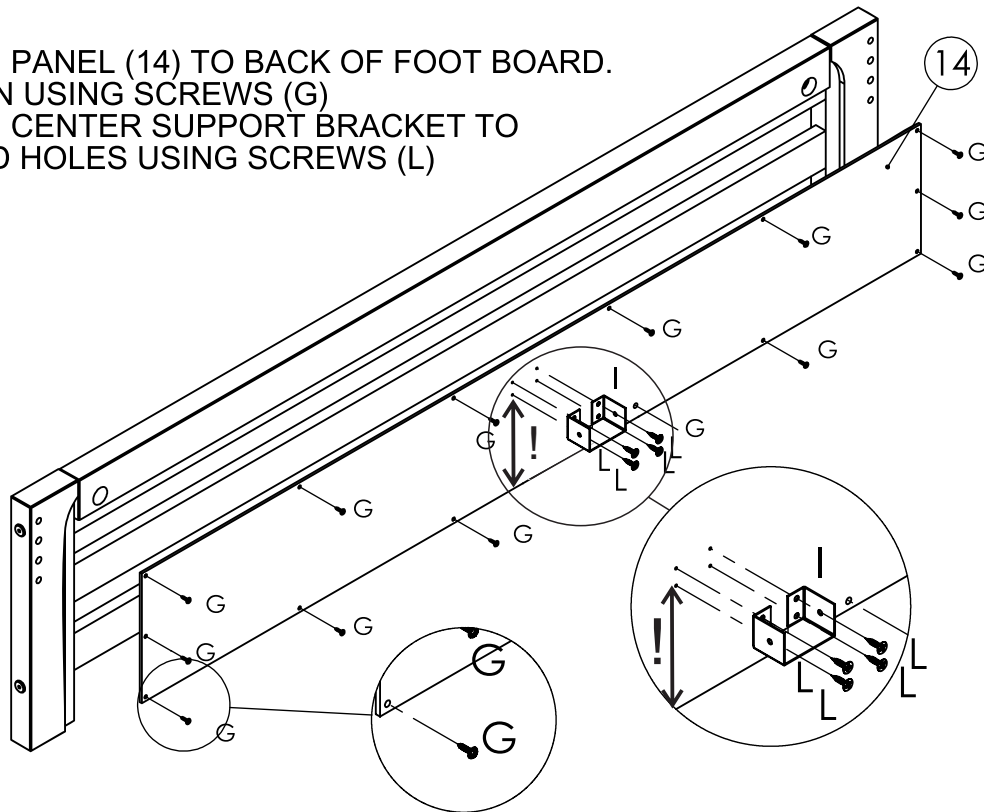


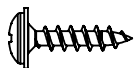

C		(17) 1/4 X 130	02
D		(17) 7 X 130	02

F			02
J			01

## STEP 5

ATTACH PANEL (14) TO BACK OF FOOT BOARD.  
TIGHTEN USING SCREWS (G)  
ATTACH CENTER SUPPORT BRACKET TO  
MARKED HOLES USING SCREWS (L)

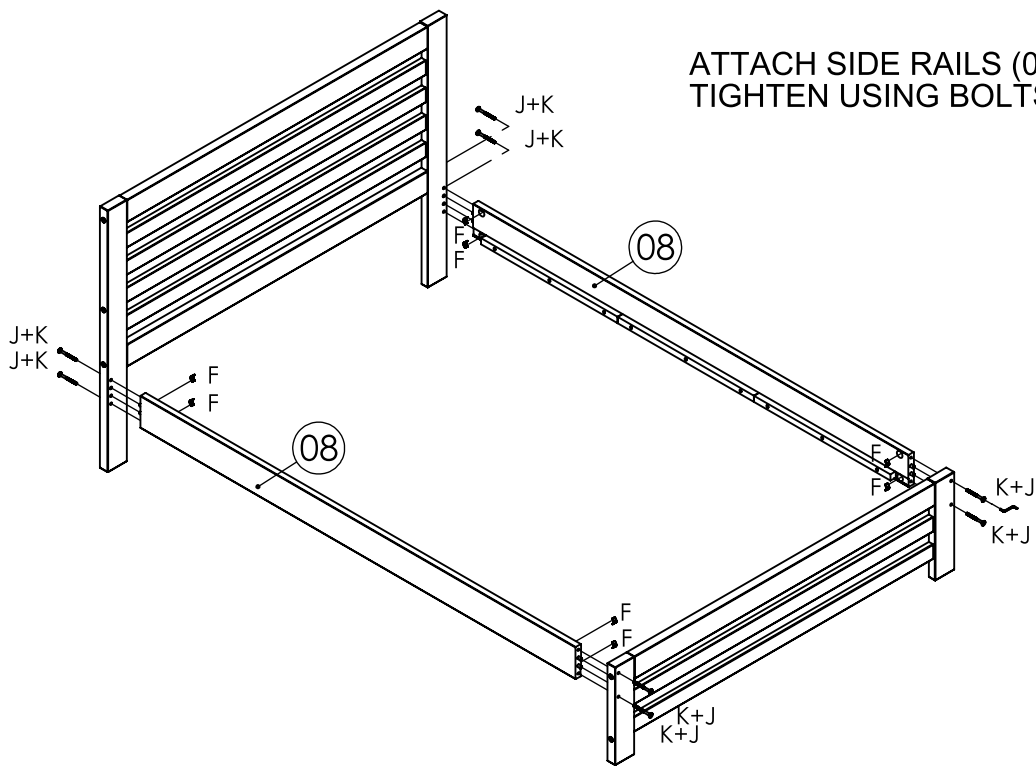



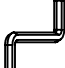
G		CF 3,5X16	14
I			01

L		CC 3,5X16	04
---	---	-----------	----

## STEP 6

ATTACH SIDE RAILS (08) TO HEAD & FOOT BOARD  
TIGHTEN USING BOLTS (K) & NUTS (F)

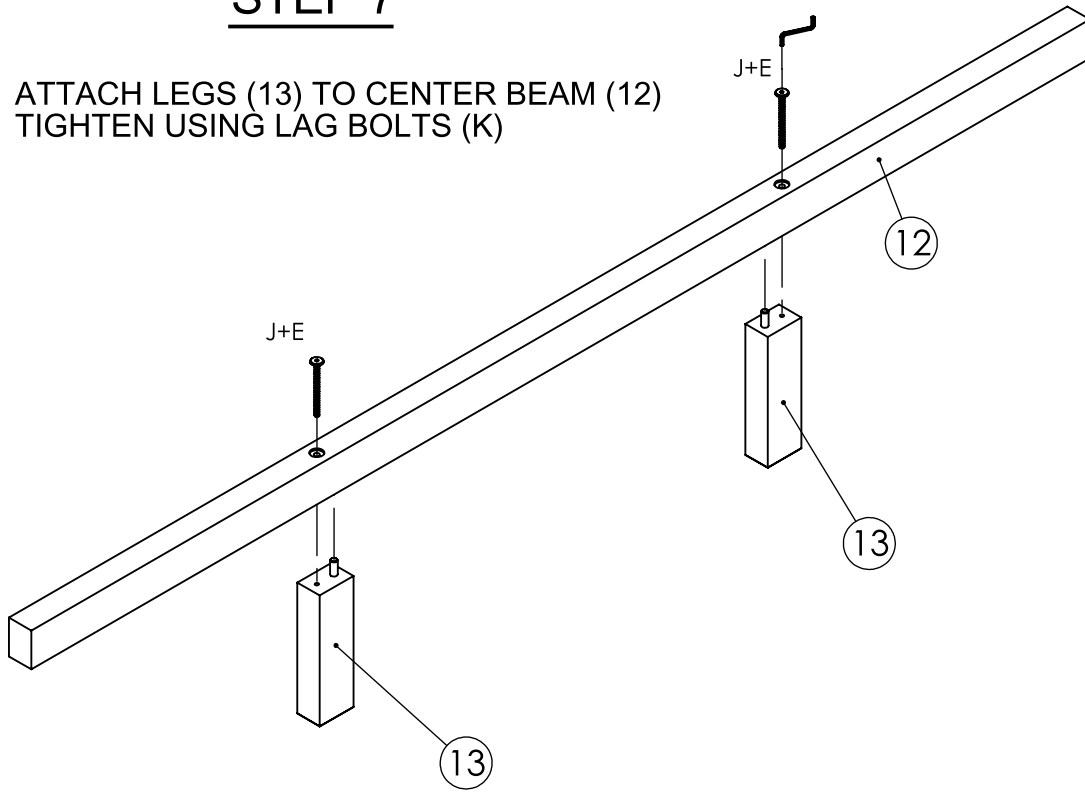


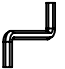
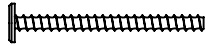
F		08
J		01

K		(17) 1/4 X 80	08
---	--	---------------	----

## STEP 7

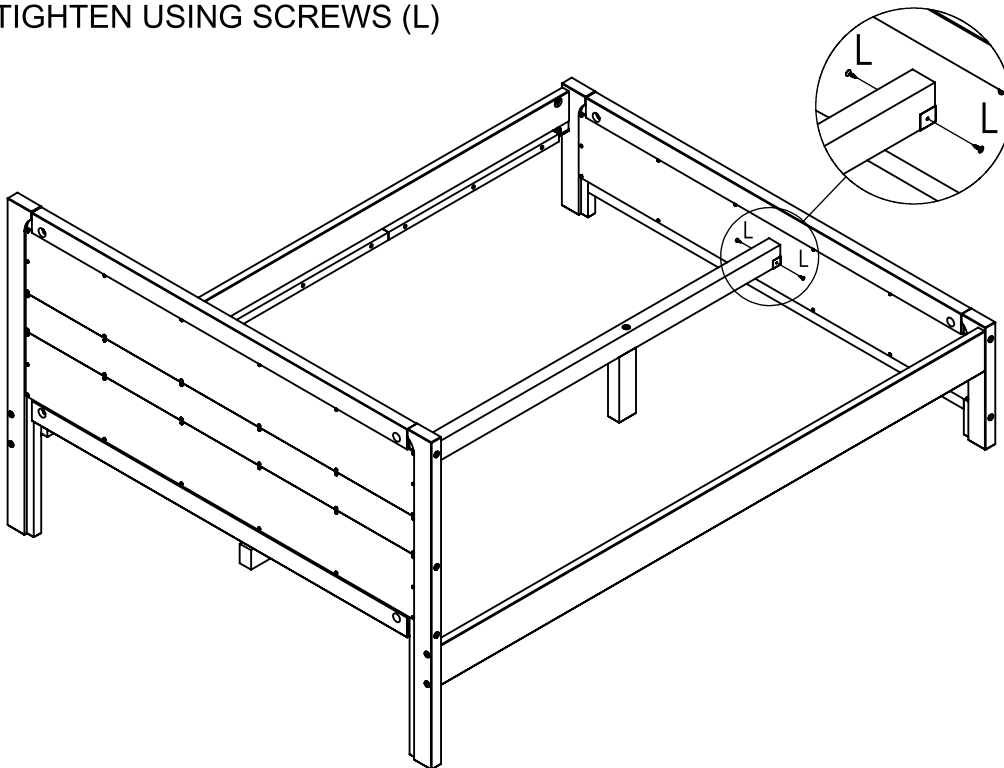
ATTACH LEGS (13) TO CENTER BEAM (12)  
TIGHTEN USING LAG BOLTS (K)




J		01
E	 (17) 7 X 90	02

## STEP 8

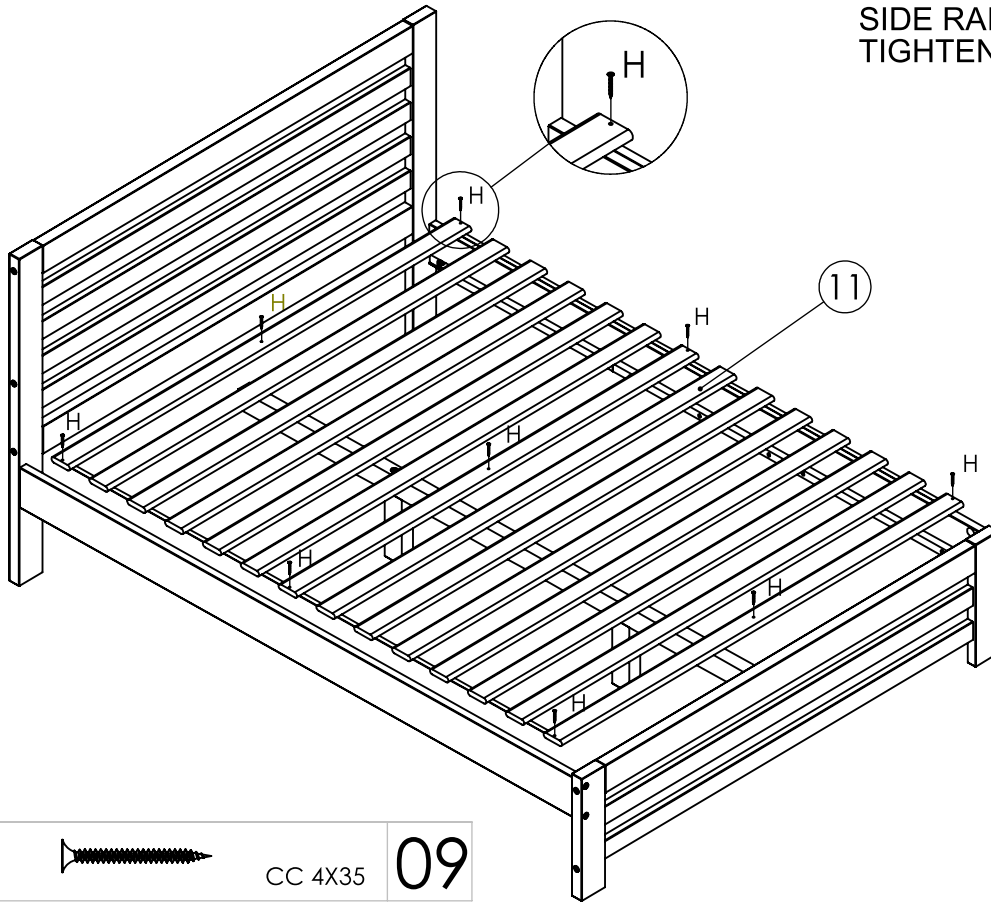
PLACE CENTER BEAM INTO SUPPORT BRACKET.  
TIGHTEN USING SCREWS (L)



L		CC 3,5X16	02
---	---	-----------	----

# STEP 9

LAY OUT SLAT KIT (11) INTO THE  
SIDE RAILS  
TIGHTEN USING SCREWS (H)



H



CC 4X35

09

