

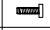



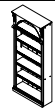



MARTIN®

FURNITURE

SET-UP INSTRUCTIONS FOR ITEM IMST4094 STRATTON BOOKCASE

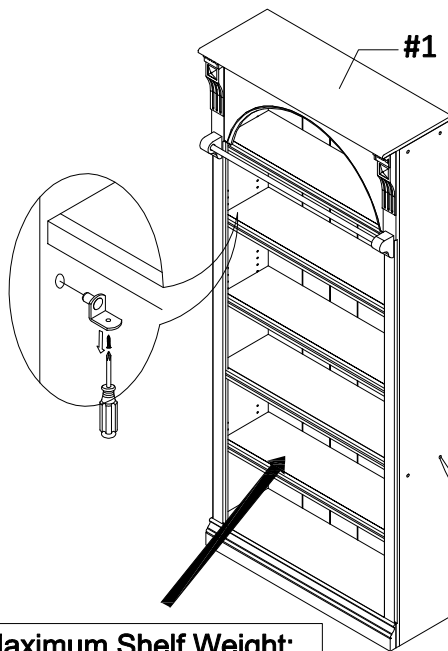
NO:	Hardware List		Q'TY
A		Anti-tip hardware kit	1 PC
B		Allen wrench	1 PC
C		Bolt (5/16**25mm)	4 PCS
D		Bolt (5/16**19mm)	4 PCS
E		Lock washer	4 PCS
F		Flat washer	4 PCS

NO:	Parts List		Q'TY
#1		Cabinet	1 PC
#2		Wooden cap	8 PCS

Tool Required: Phillips screwdriver (not provided)

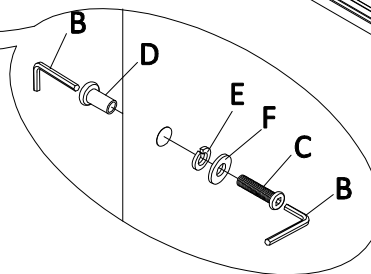
1

Shelf is screwed in place for shipping, use phillips head screwdriver to remove screws from shelf pins. Four screws per shelf. Refer to the drawing below:

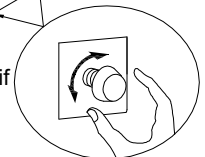


**Maximum Shelf Weight:
30 lbs(13.6kg)**

Hardware shown below is only used to connect two bookcases together. There are four connection holes on each side of bookcase. Use #2 wood caps for any exposed sides.

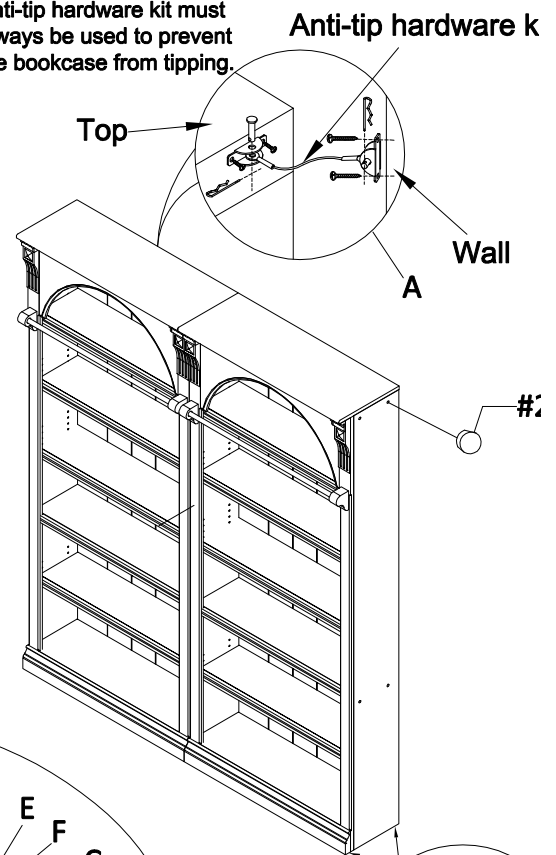


Adjust leveler if needed



2

Anti-tip hardware kit must always be used to prevent the bookcase from tipping.



CARING FOR YOUR FURNITURE

- To care for your furniture, wipe with a soft dry cloth. Microfiber cloths are recommended.
- Use of furniture polishes are not necessary. Should you choose to use polishes, test in an unnoticeable area first.
- Using solvents of any kind on your furniture may damage your furniture's finish.
- Never use water to clean your furniture as it may damage the finish.
- Use coasters to protect the surface from liquids.
- If your furniture becomes scratched or marred, furniture touch up pencils come in a variety of colors and are available in most hardware stores and can be used to repair minor scratches.
- Avoid placing furniture directly near heat or air conditioning outlets.
- Exposure to extreme temperature variations can damage any fine wood furniture, including variations caused by humidifiers, heat vents and fire places.