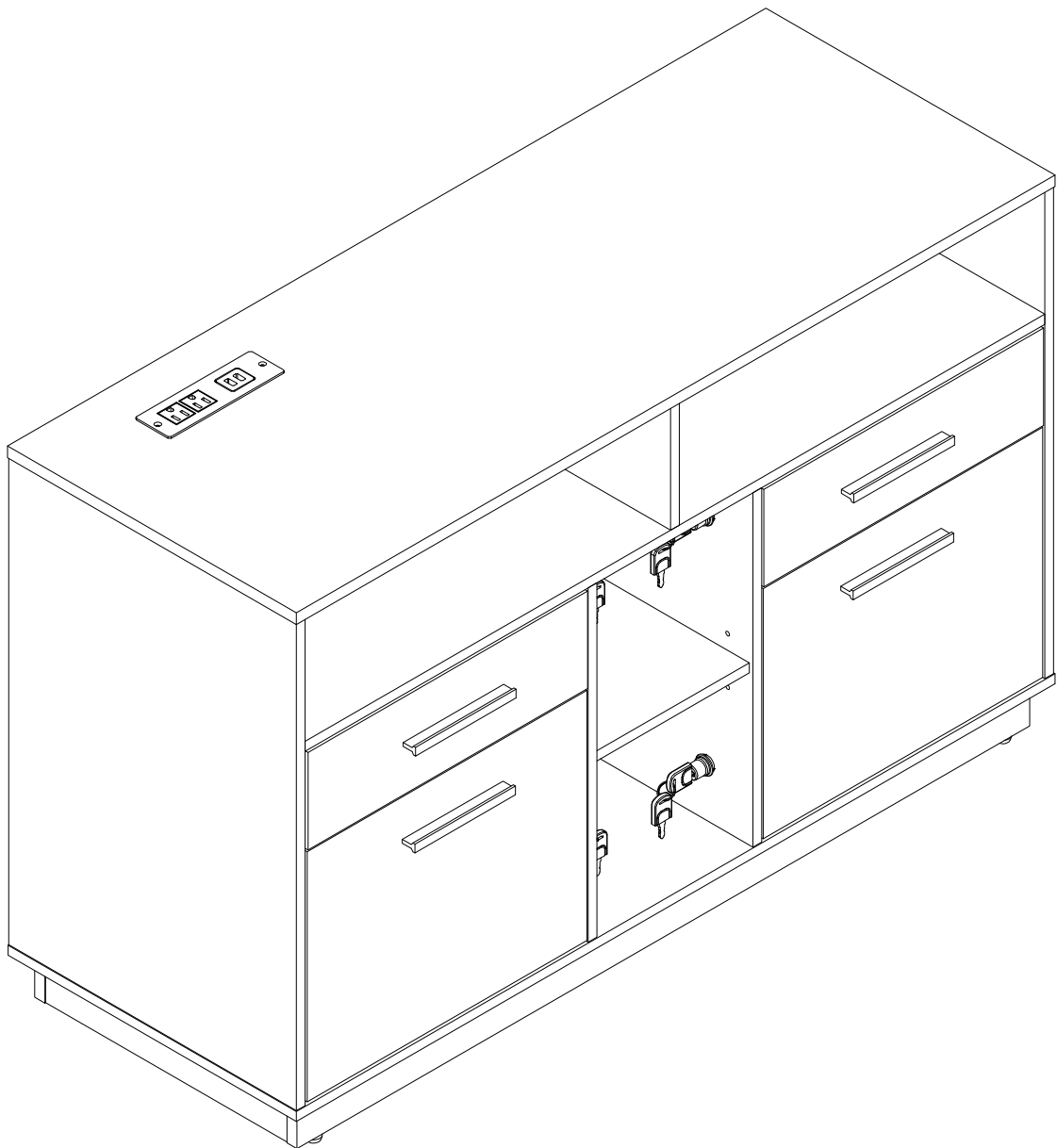
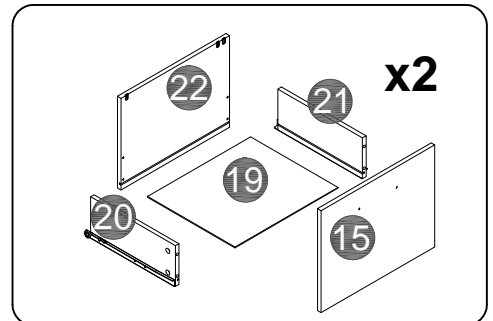
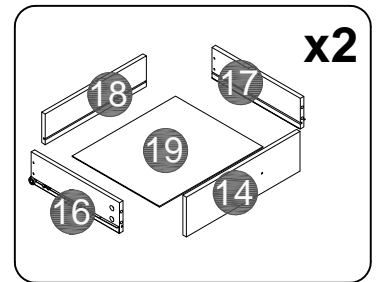
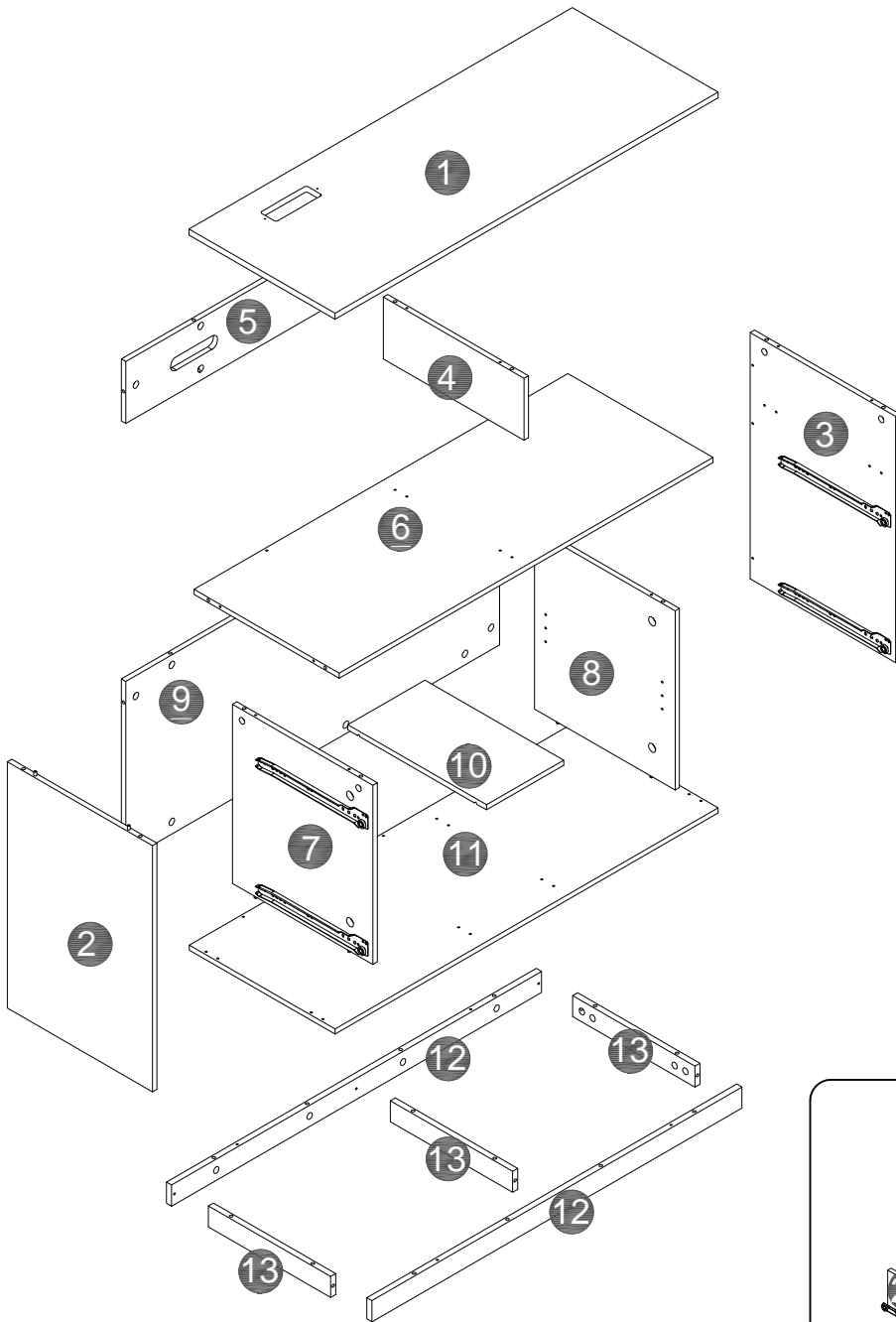
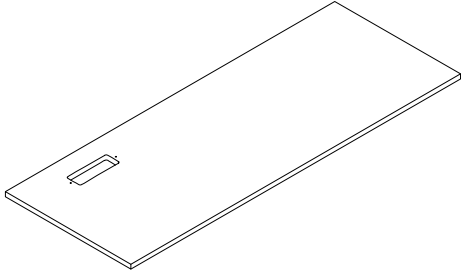
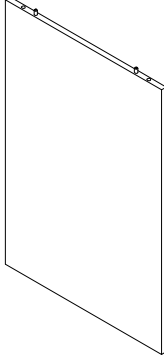
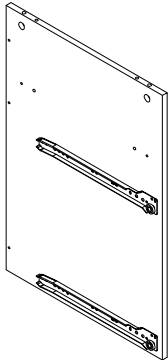
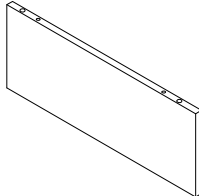
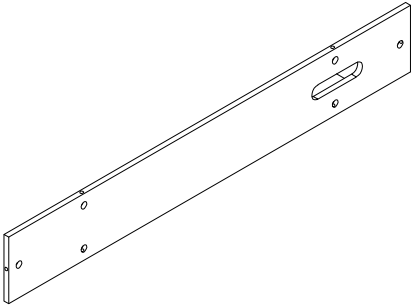
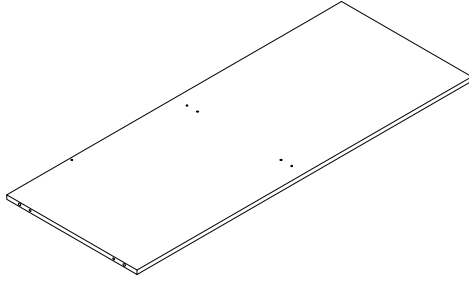
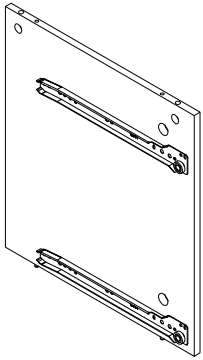
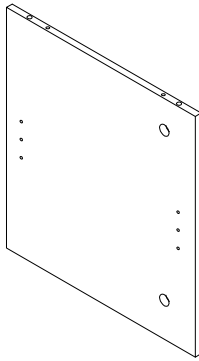
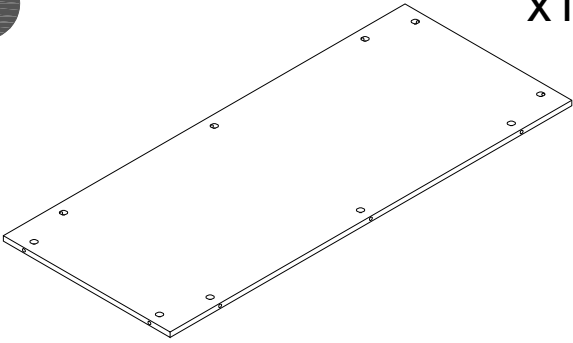
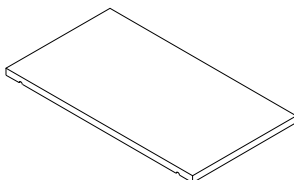
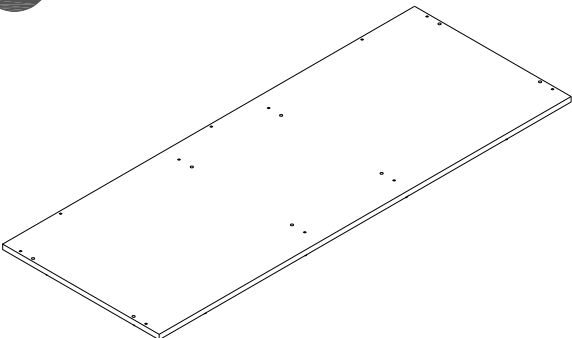
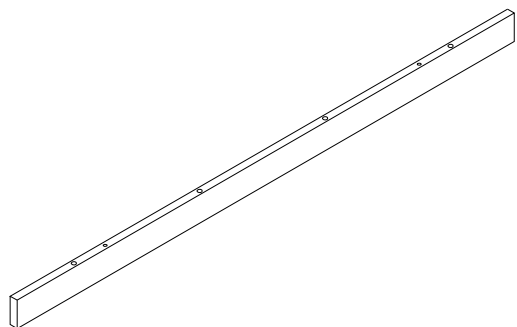
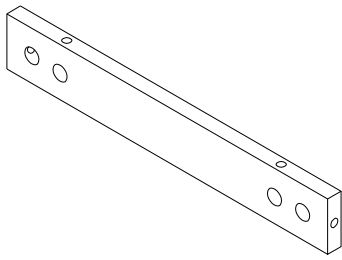
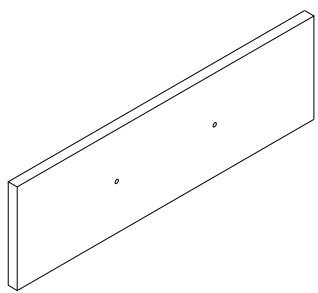
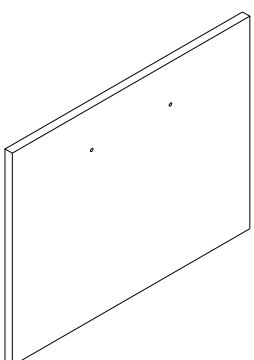
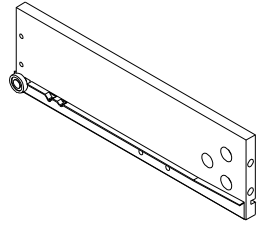


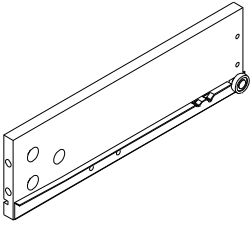
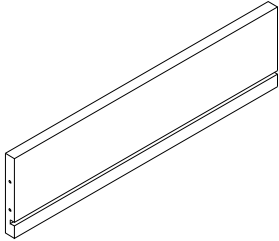
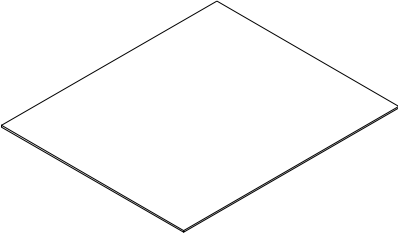
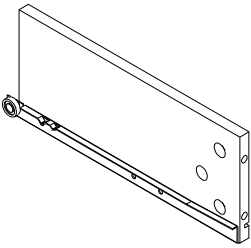
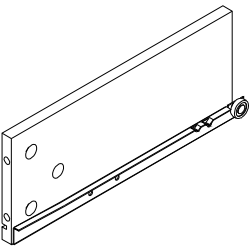
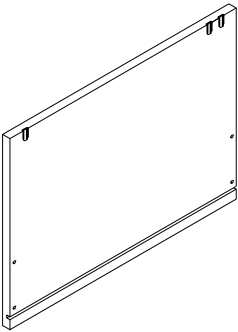
ASSEMBLY INSTRUCTIONS



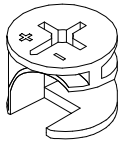


<p>1 x1</p> 	<p>2 x1</p> 
<p>3 x1</p> 	<p>4 x1</p> 
<p>5 x1</p> 	<p>6 x1</p> 
<p>7 x1</p> 	<p>8 x1</p> 

<p>9 x1</p> 	<p>10 x1</p> 
<p>11 x1</p> 	<p>12 x2</p> 
<p>13 x3</p> 	<p>14 x2</p> 
<p>15 x2</p> 	<p>16 x2</p> 

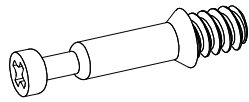
<p>17</p>  <p>x2</p>	<p>18</p>  <p>x2</p>
<p>19</p>  <p>x4</p>	<p>20</p>  <p>x2</p>
<p>21</p>  <p>x2</p>	<p>22</p>  <p>x2</p>

Ⓐ x 66+6



Ø15x9.5

Ⓑ x 66+6



Ⓒ x 28+2



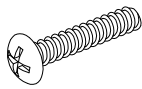
Ø6x30

Ⓓ x 10+1



3.5x12

Ⓔ x 8



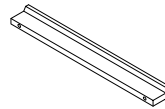
M4x16

Ⓕ x 10+1

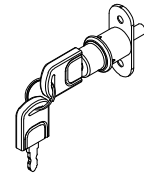


Ø5x50

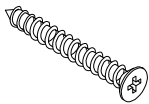
Ⓖ x 4



Ⓗ x 4



Ⓘ x 16

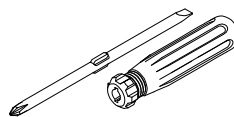


Ø4x38

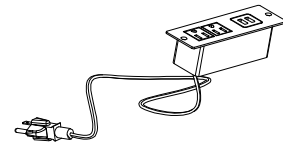
Ⓚ x 4



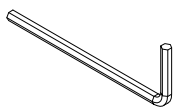
Ⓛ x 1



Ⓜ x 1

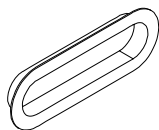


Ⓝ x 1

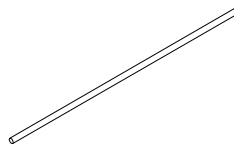


S3

Ⓞ x 1



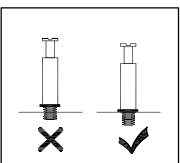
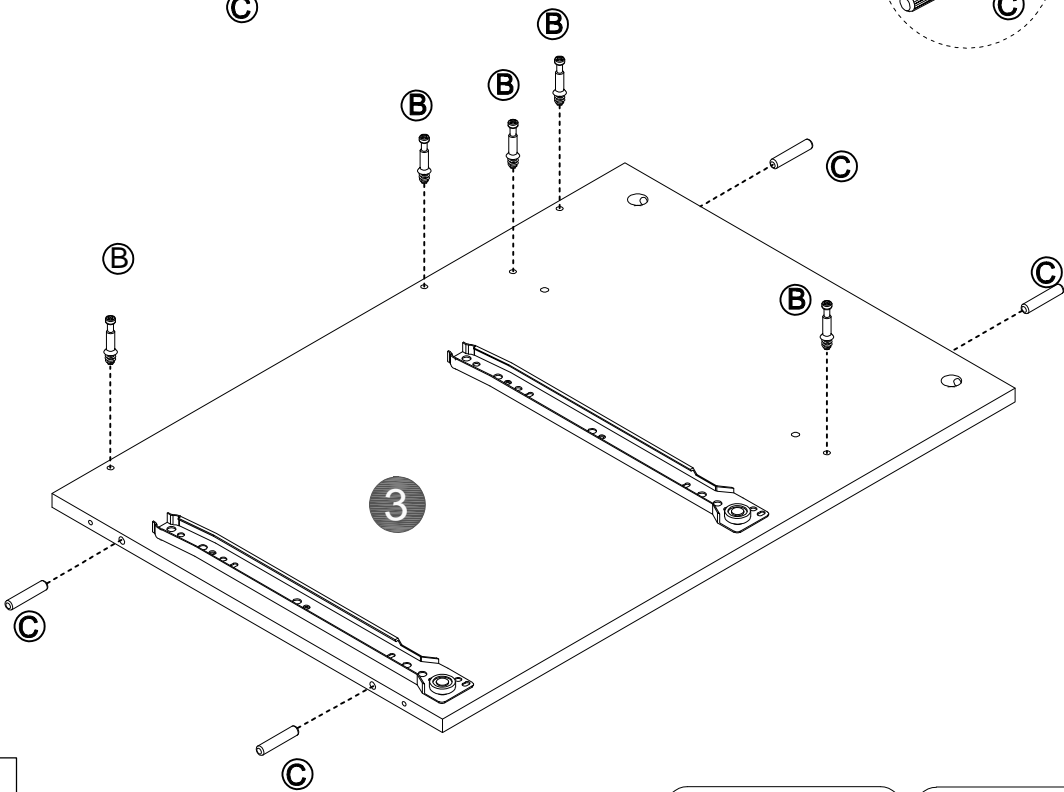
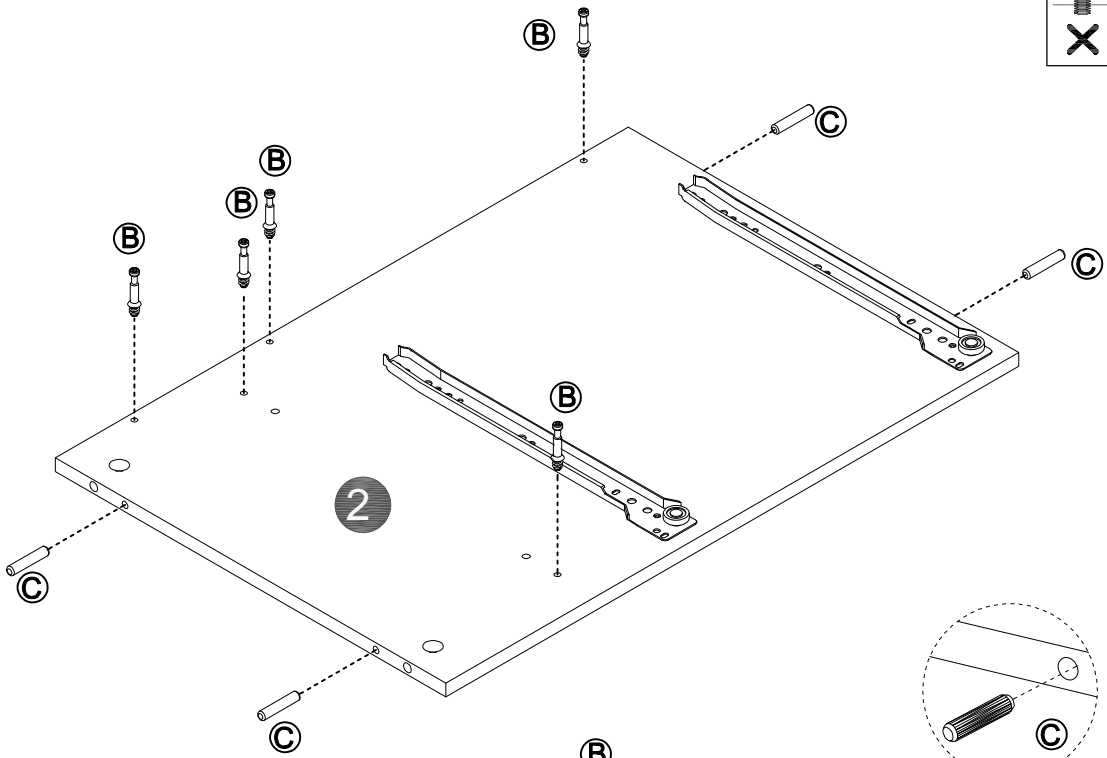
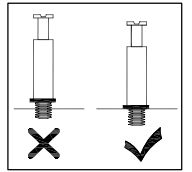
Ⓟ x 4





Ⓠ x 4



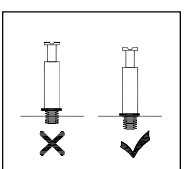
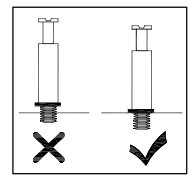
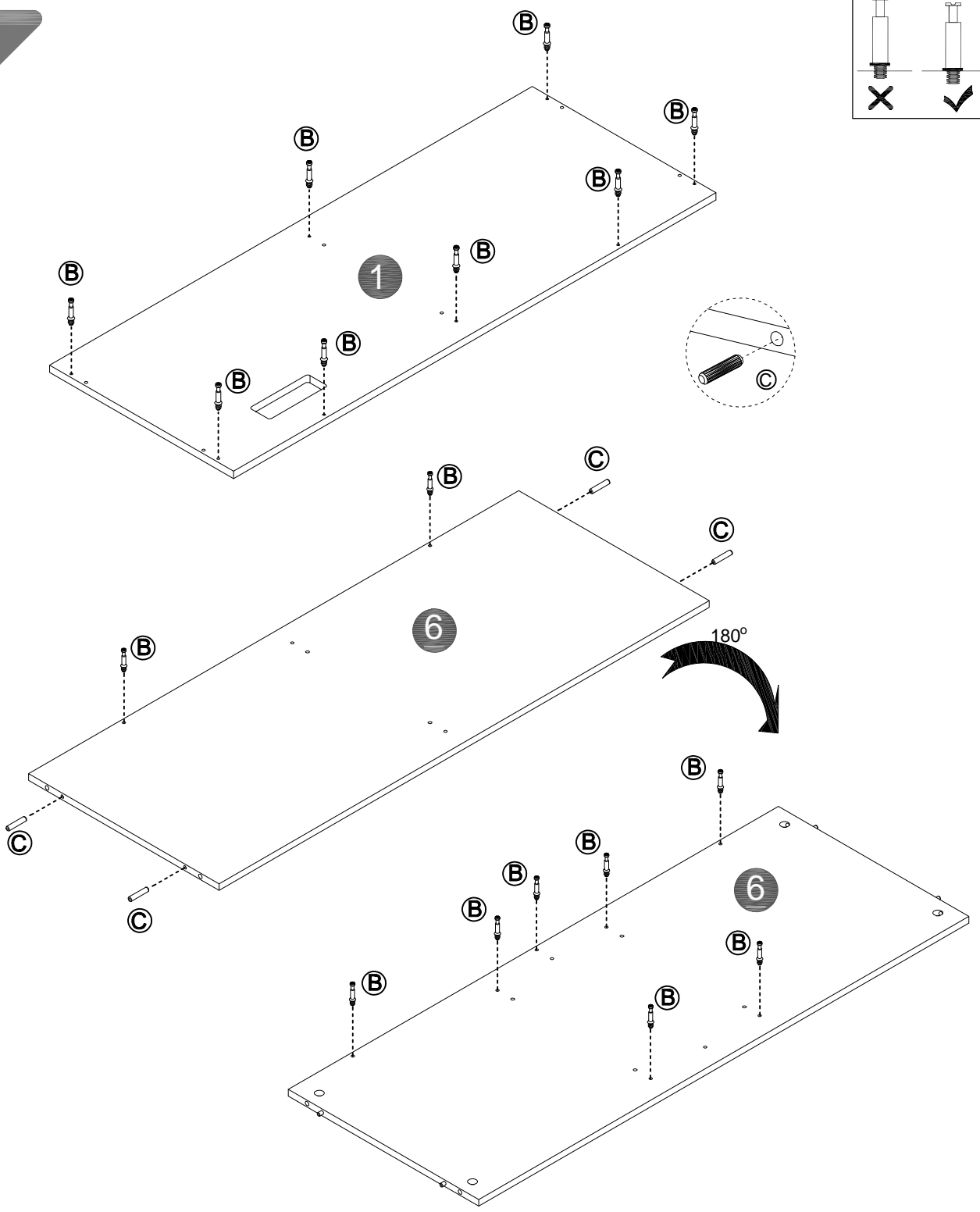
1



(B)  x 10

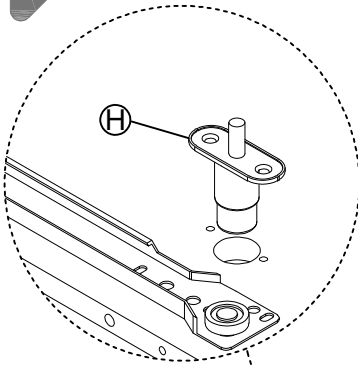
(C)  x 8

2

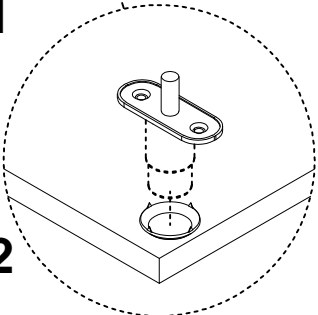


- (B)  x 17
- (C)  x 4

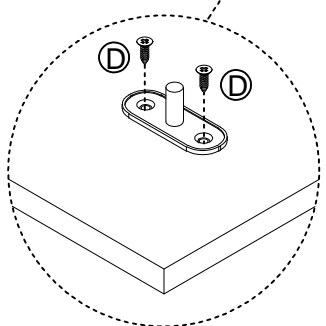
3



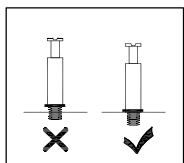
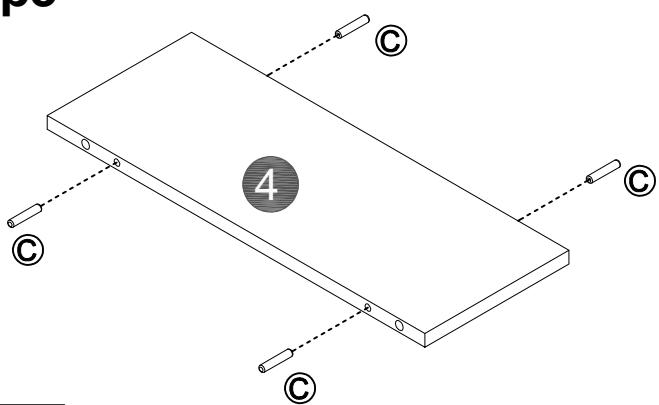
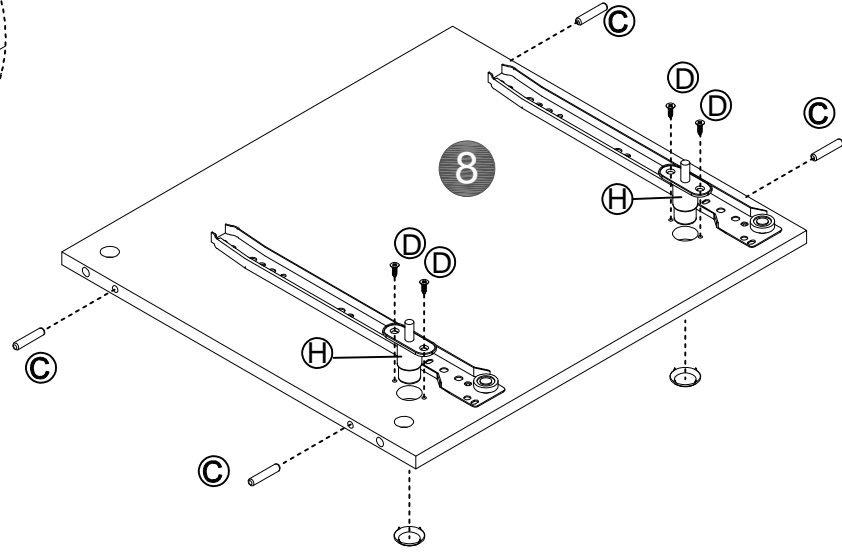
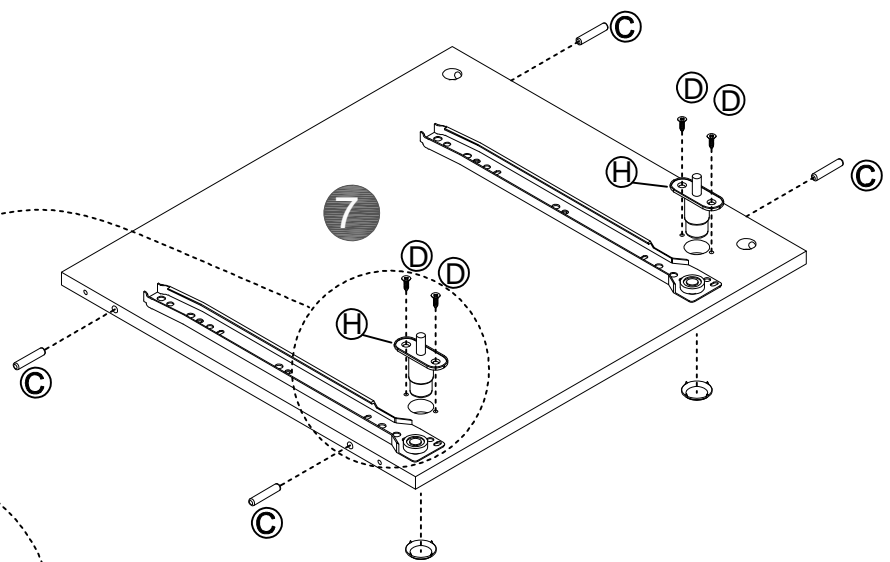
Step1






Step2

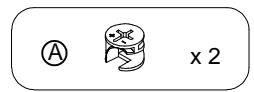
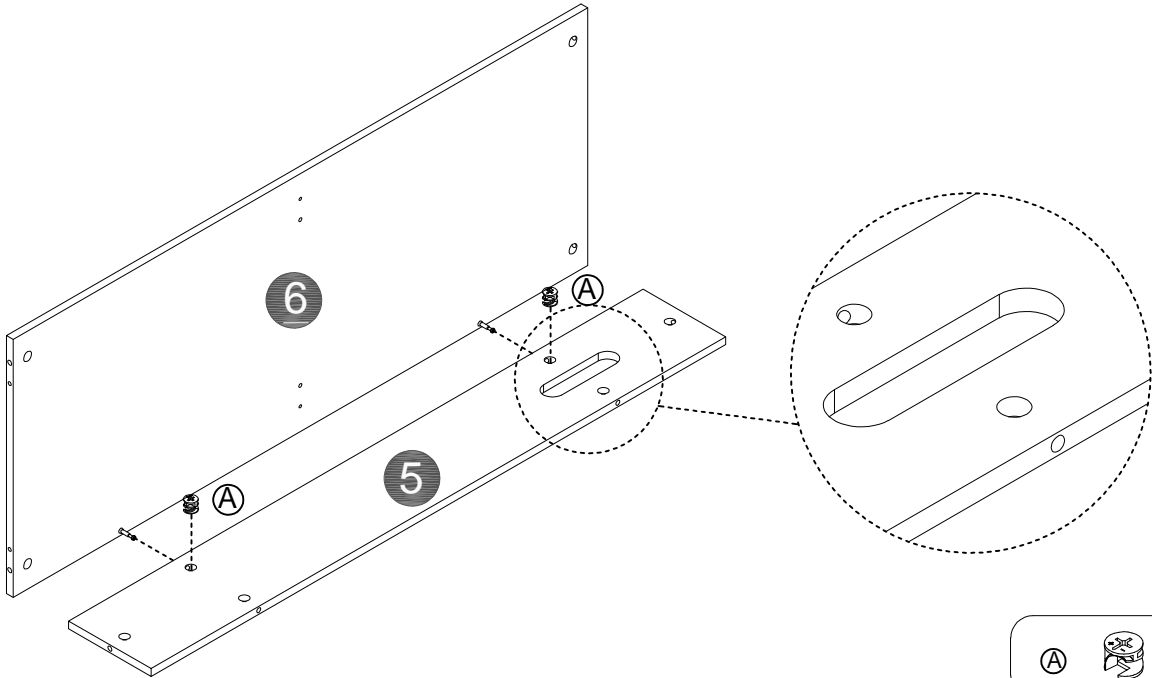
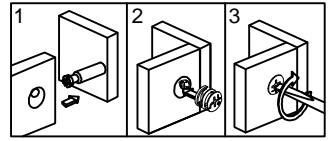


Step3

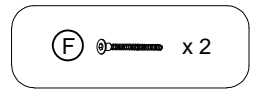
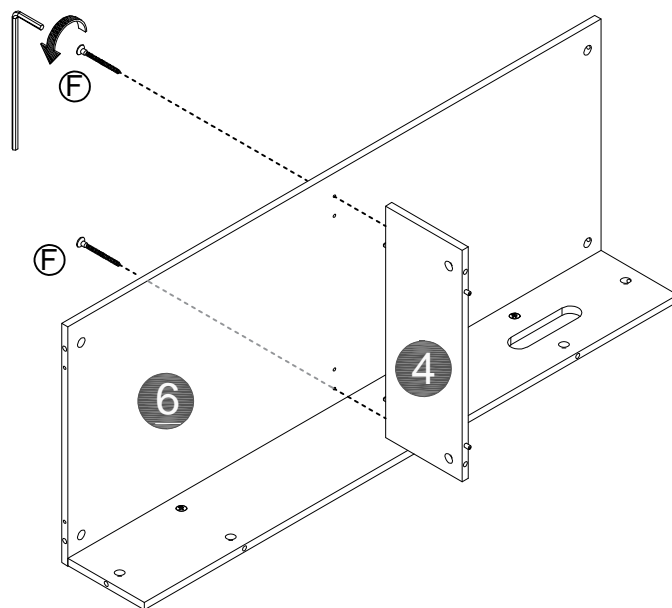


- (D)  x 8
- (H)  x 4
- (C)  x 12

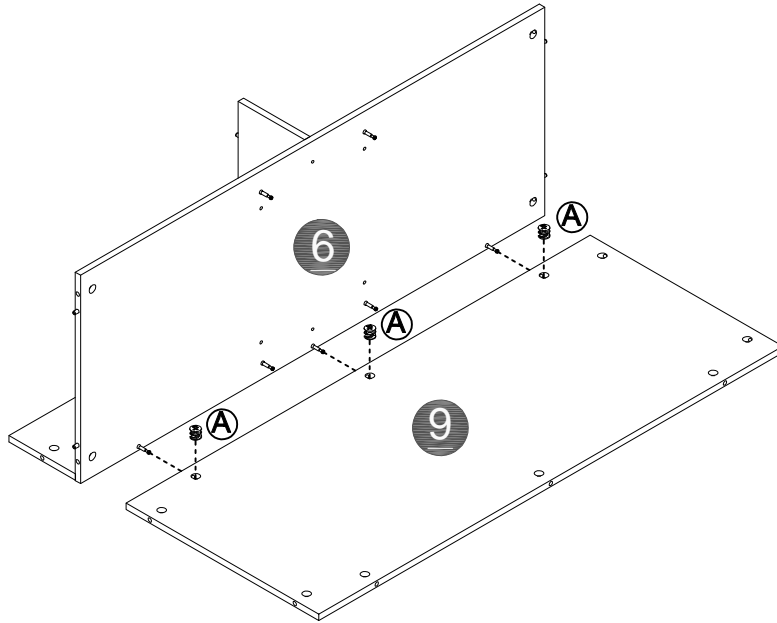
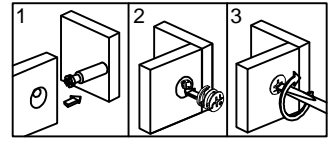
4



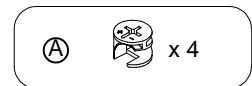
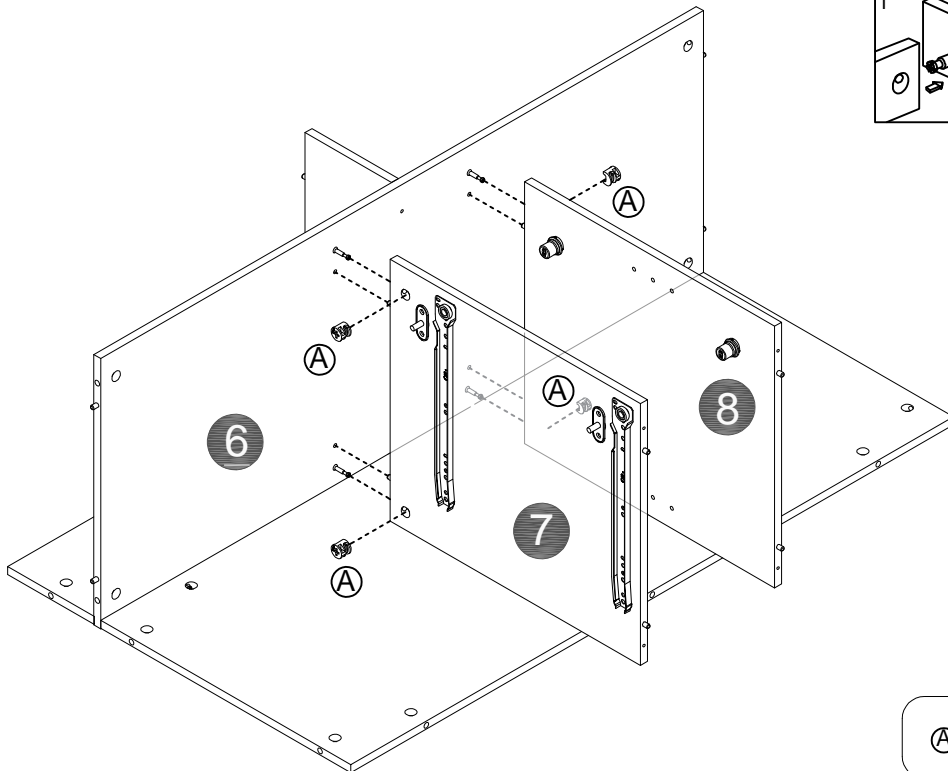
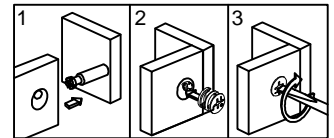
5



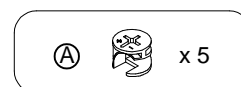
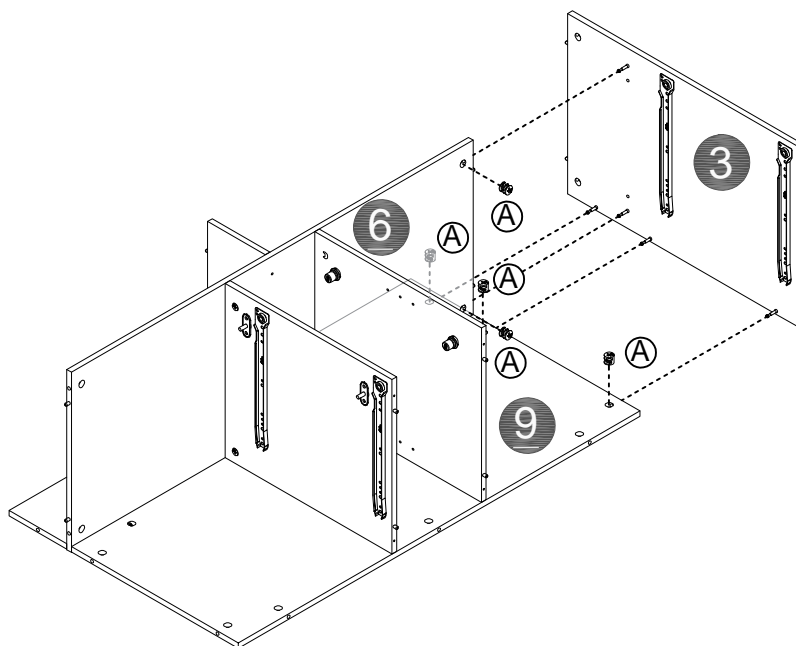
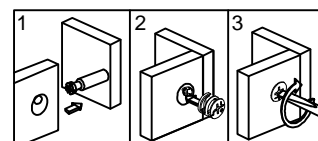
6



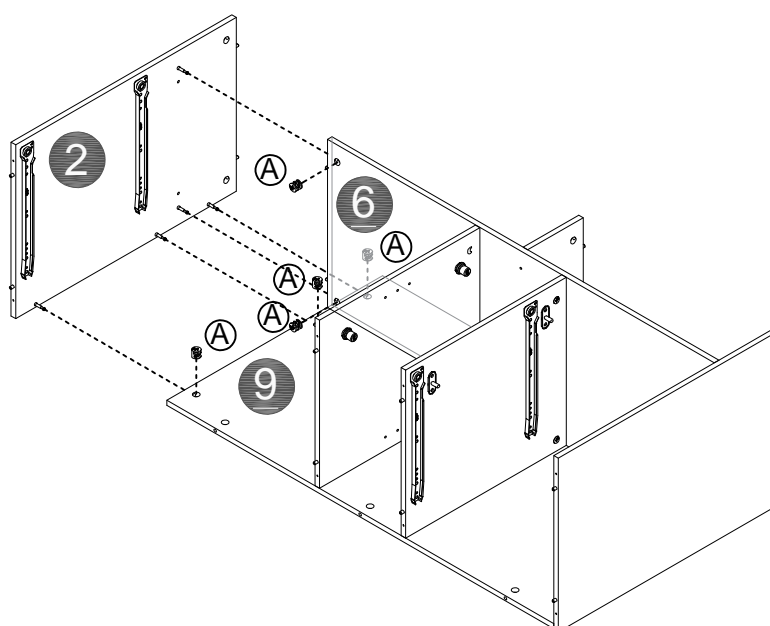
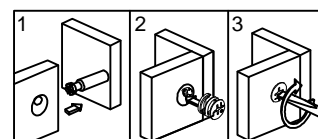
7



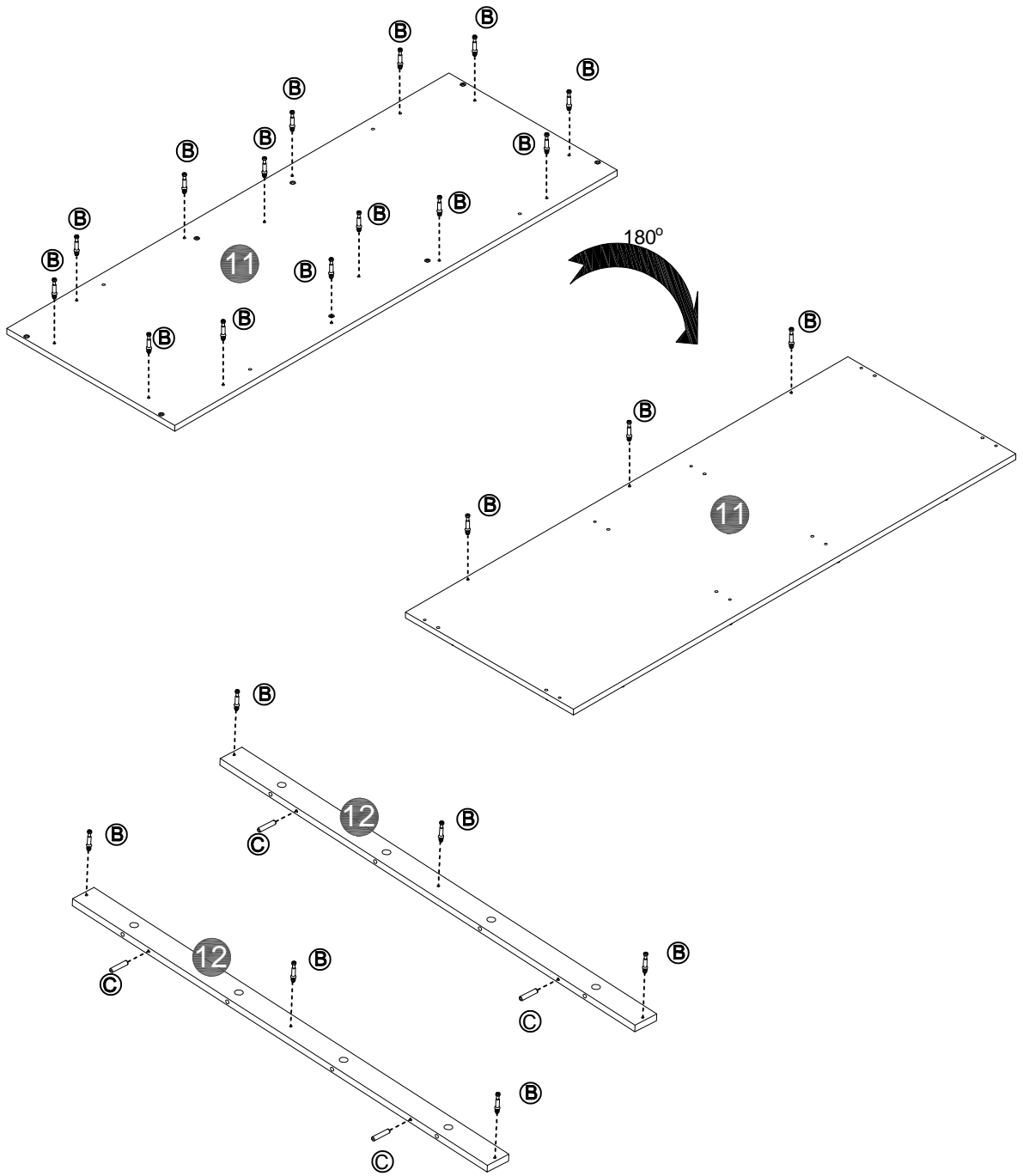
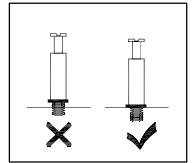
8

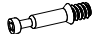



9

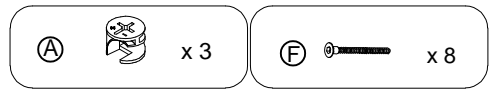
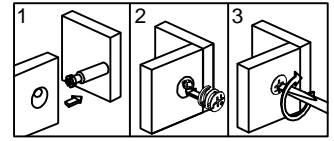
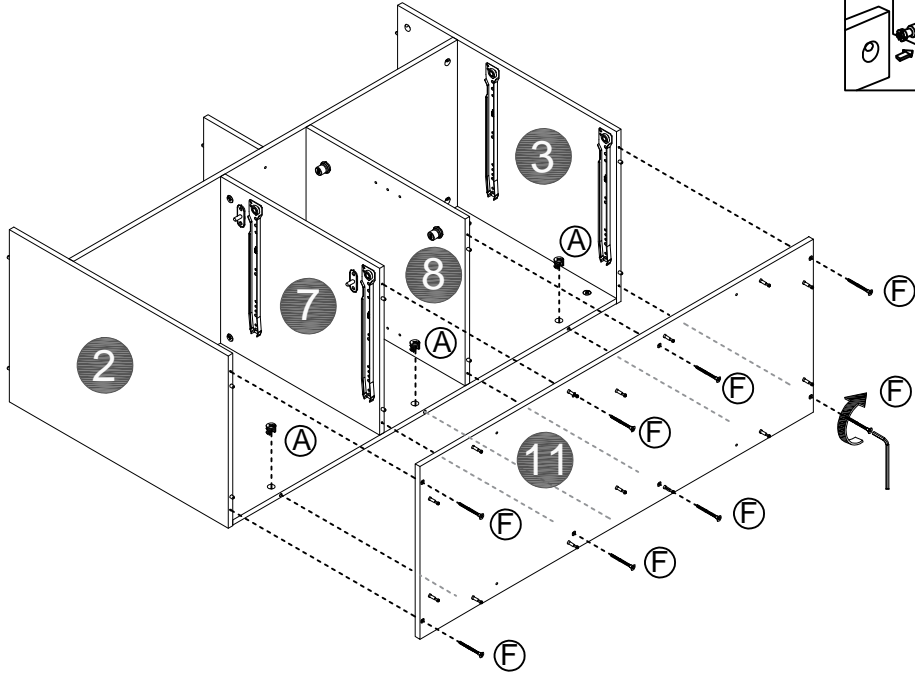


10

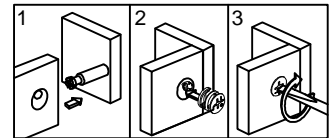
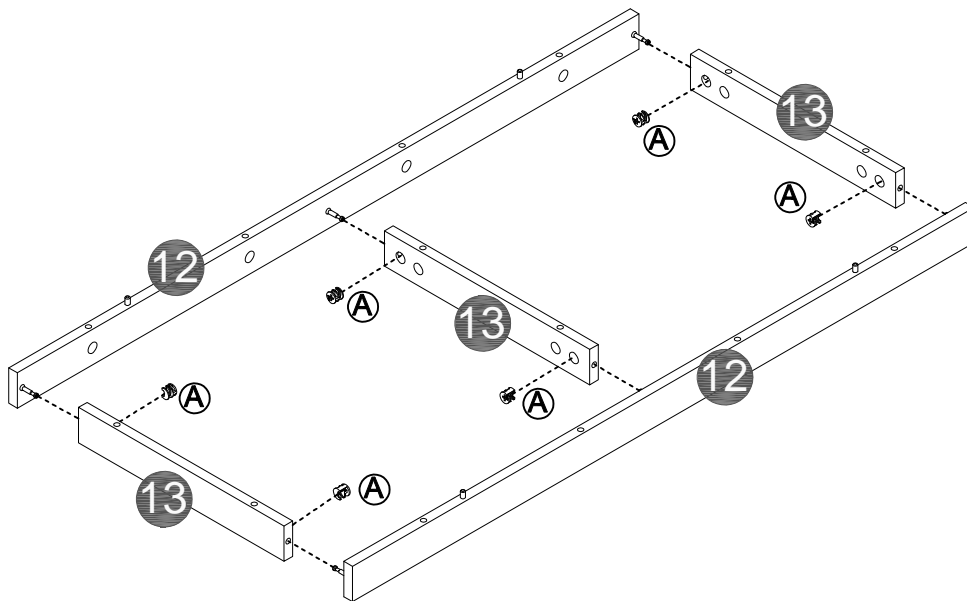


- (B)  x 23
- (C)  x 4

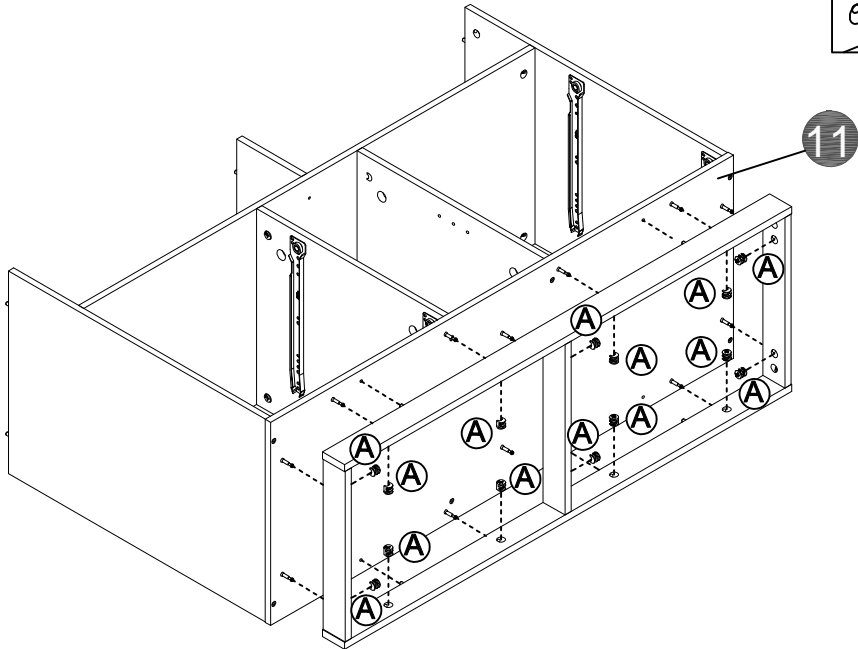
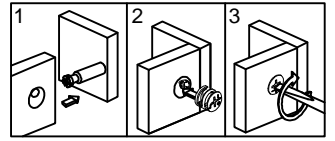
11



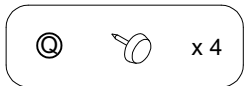
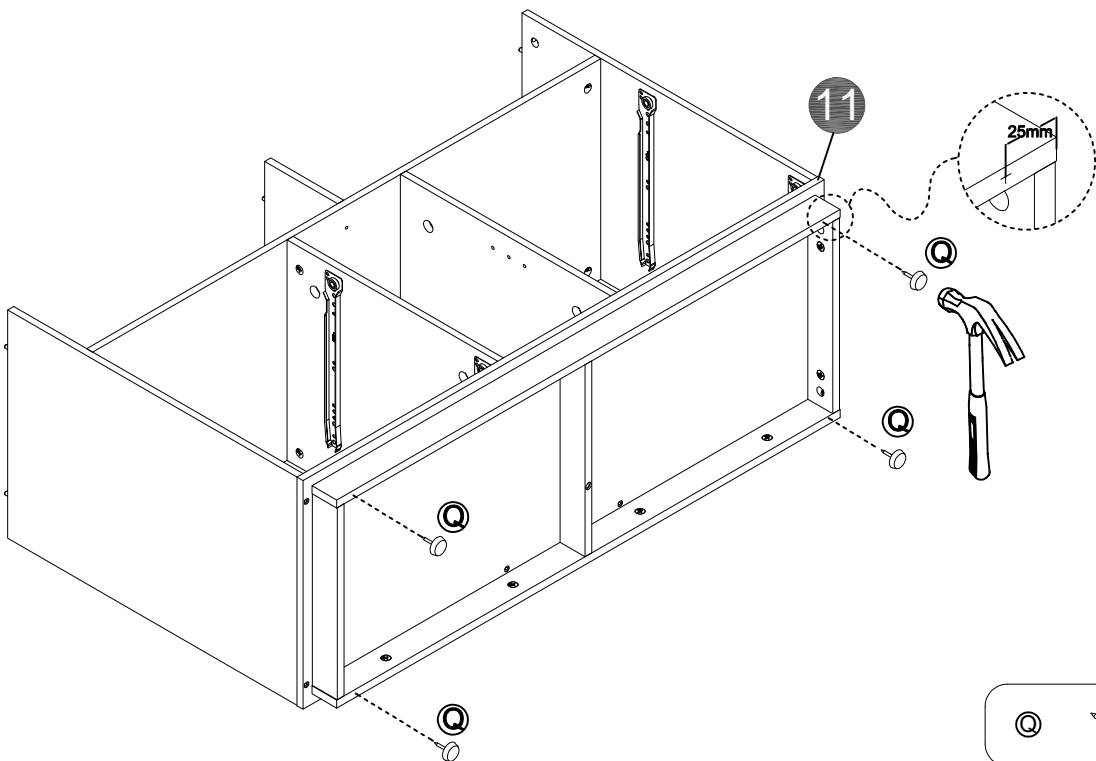
12



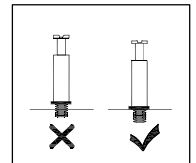
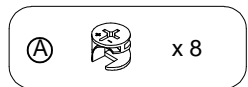
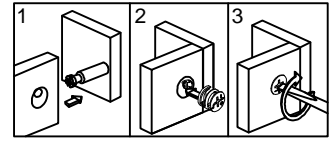
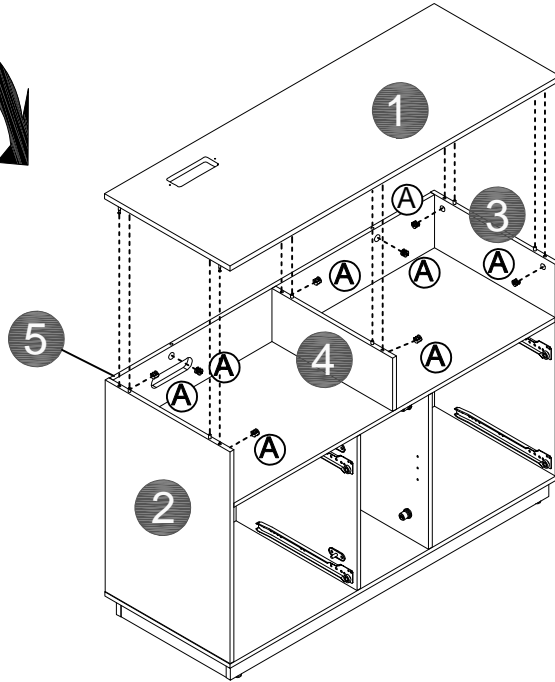
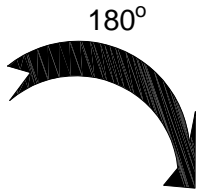
13



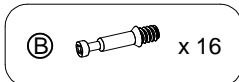
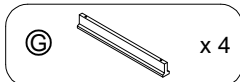
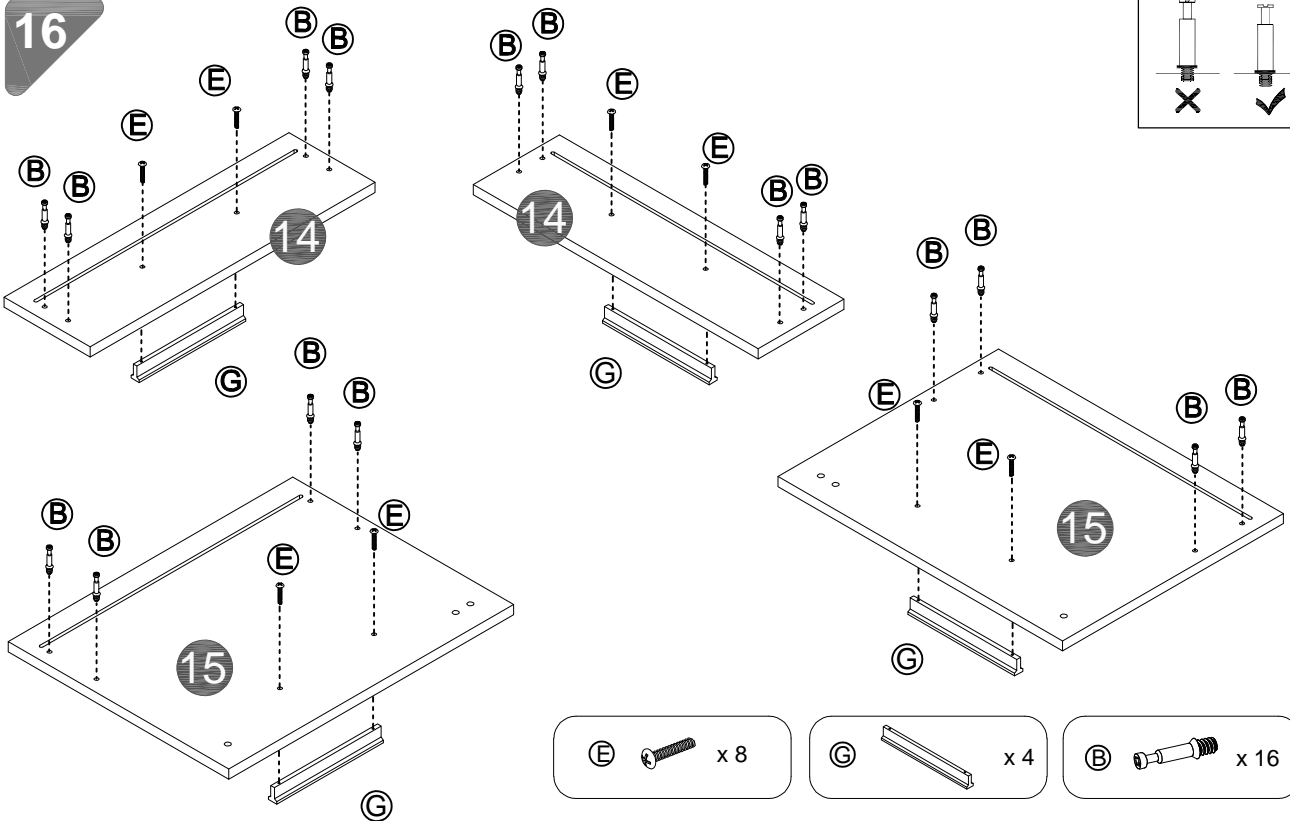
14



15

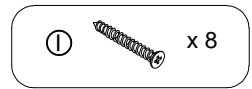
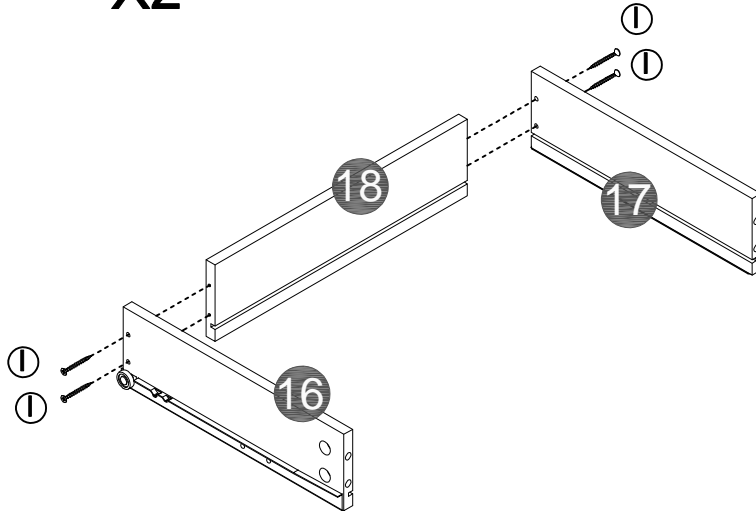


16



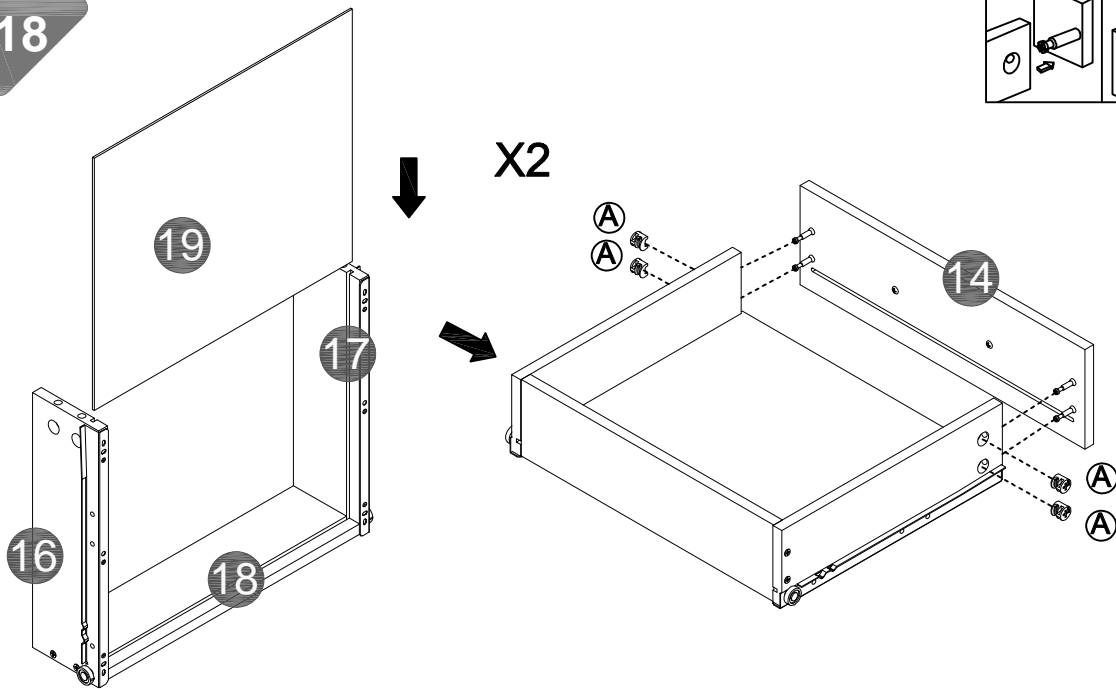
17

X2

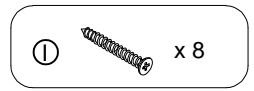
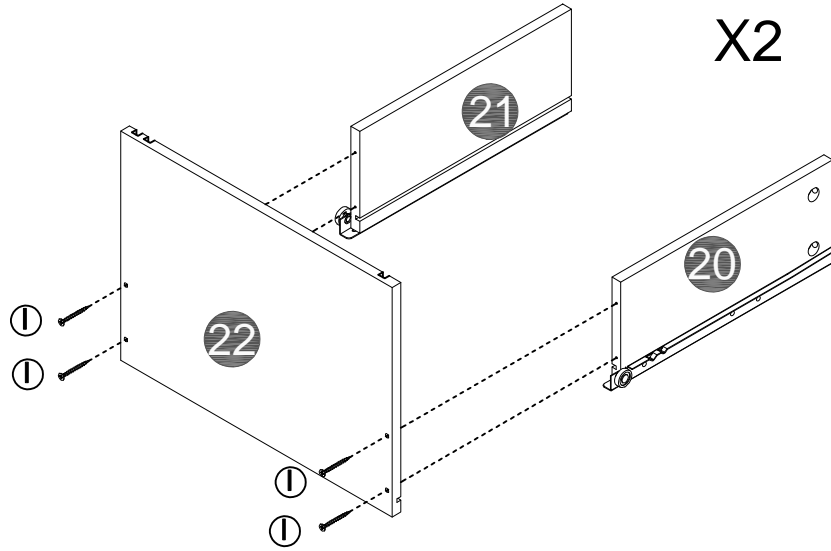


18

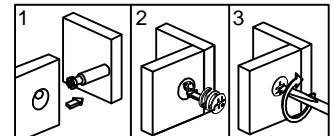
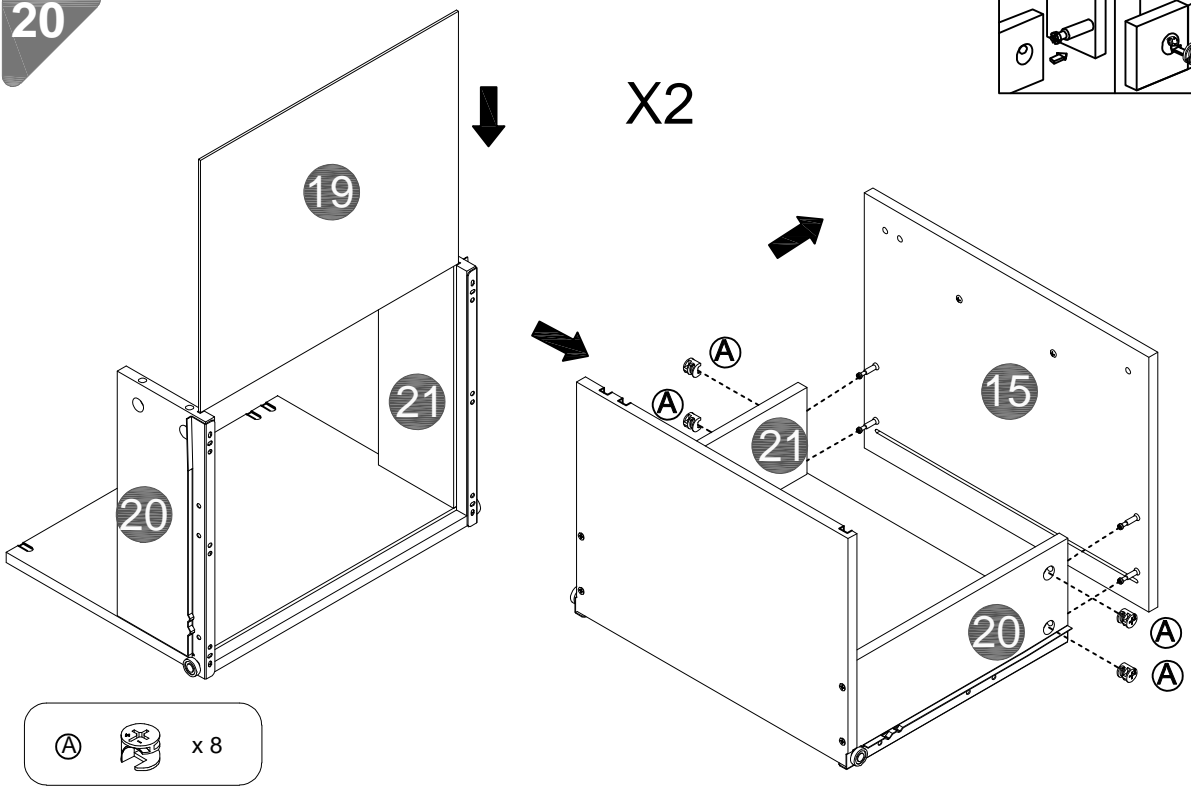
X2



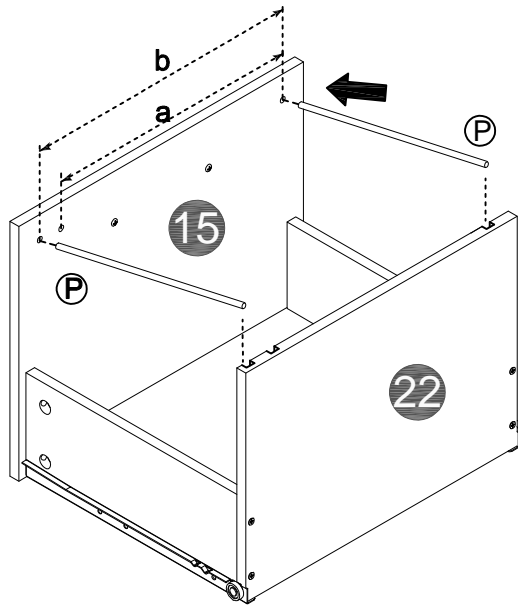
19



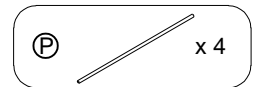
20



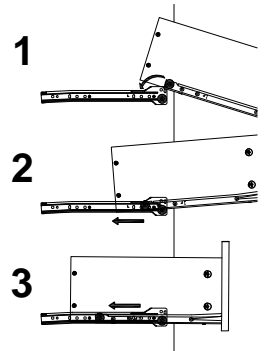
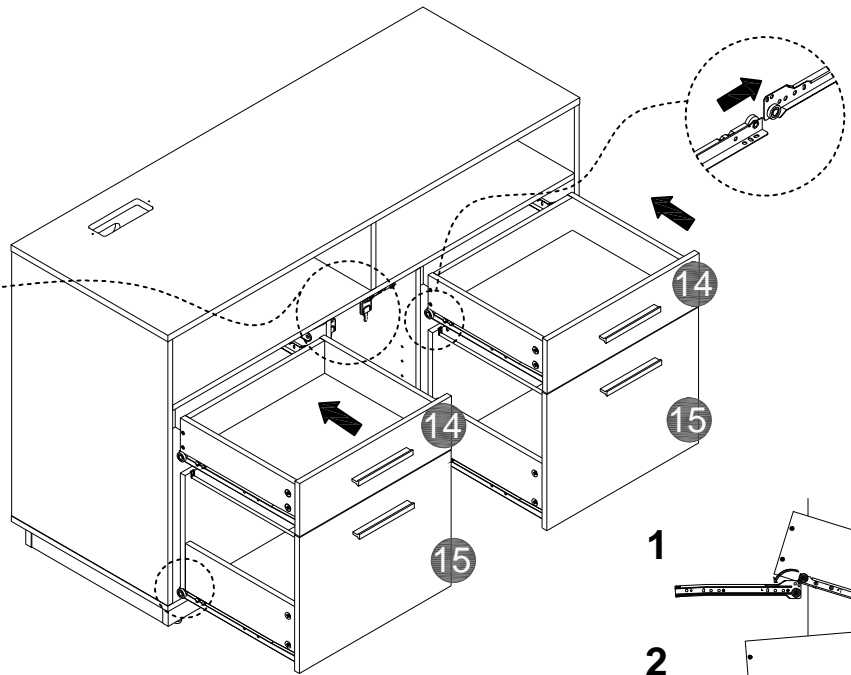
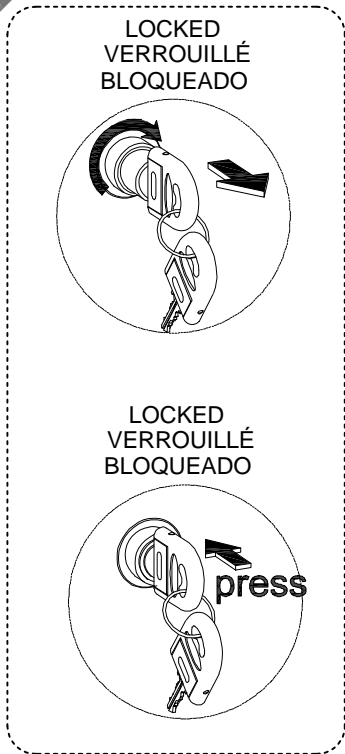
21



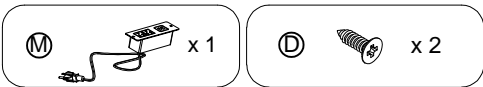
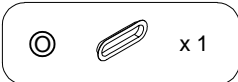
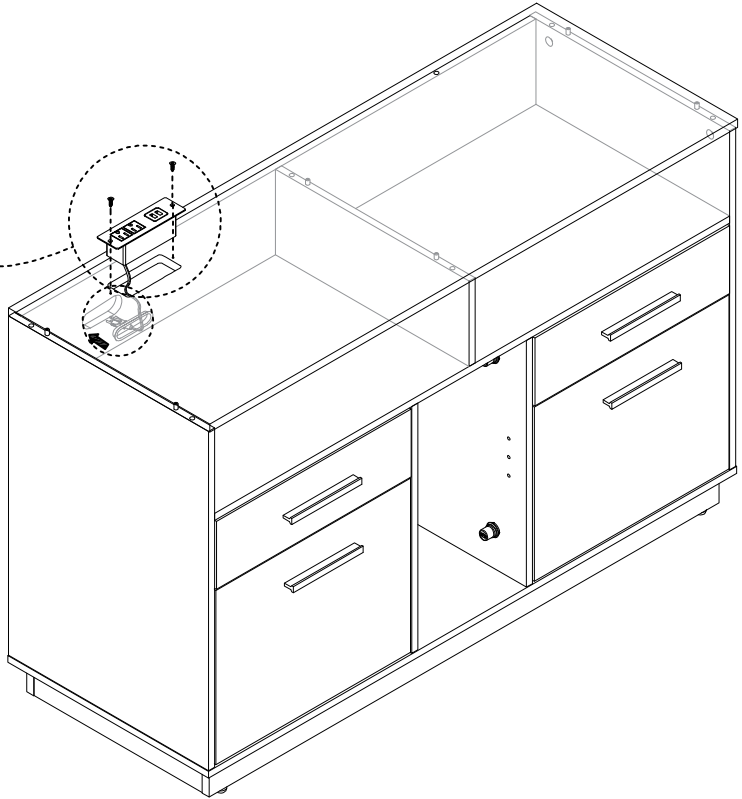
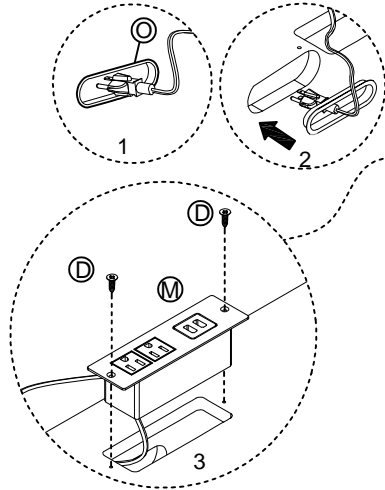
X2



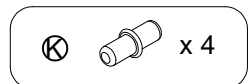
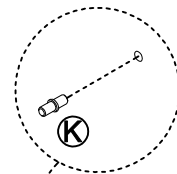
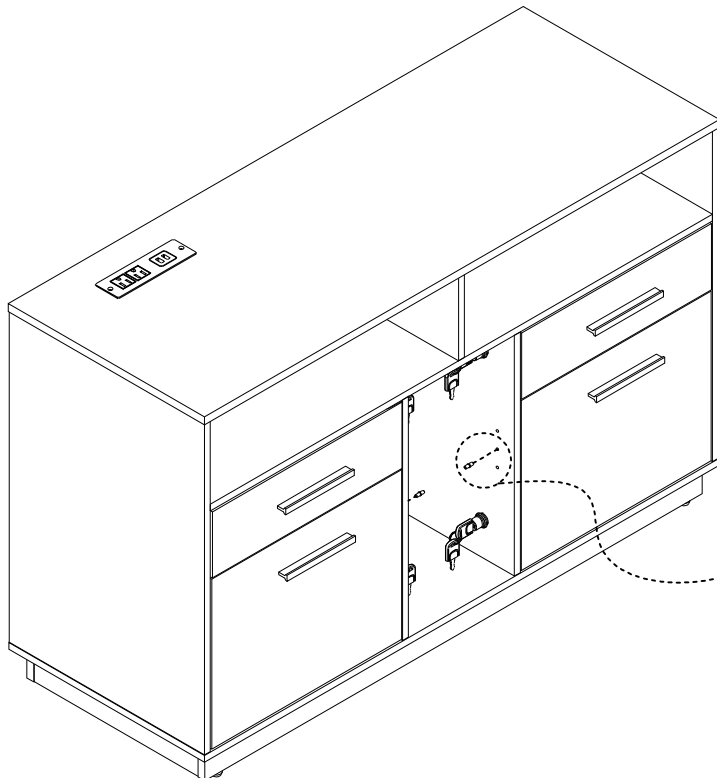
22



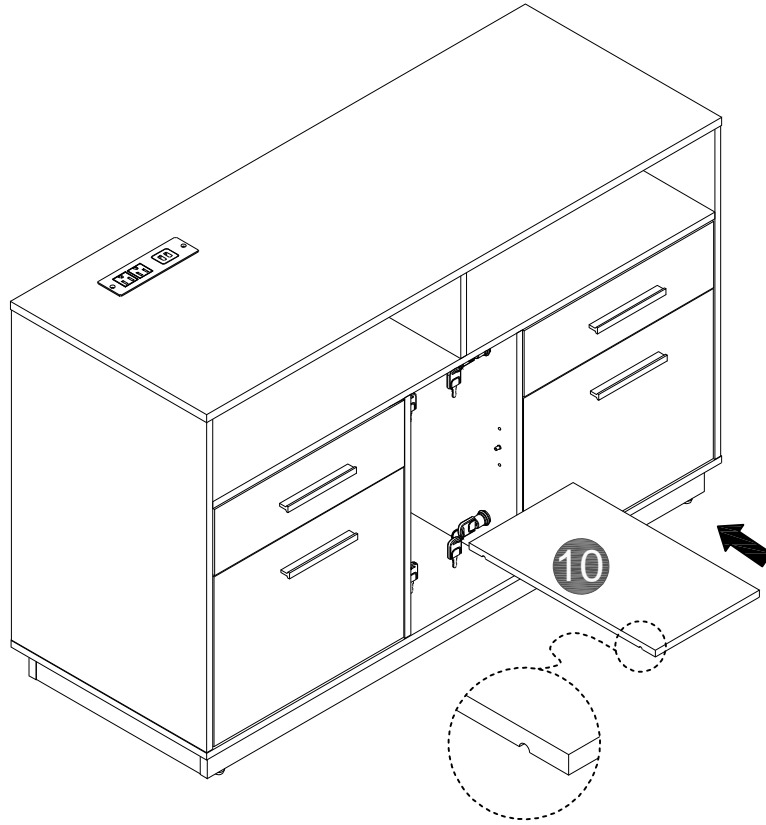
23



24



25



26

