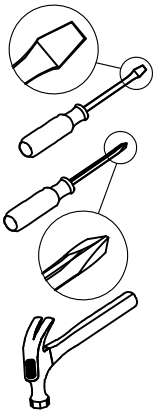


As this item contains many parts, please read the installation instruction carefully before installation . Please use tools properly and carefully.

Before You Start

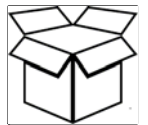


- ✓ Read through each step carefully and follow the proper order
- ✓ Separate and count all your parts and hardware
- ✓ Give yourself enough room for the assembly process
- ✓ Have the following tools: Flat Head Screwdriver, #2 Phillips Head Screwdriver and Hammer
- ✓ Caution: If using a power drill or power screwdriver for screwing, please be aware of to slow down and stop when screw is tight. Failure to do so may result in stripping the screw. (Assembly speed can be increased by using electric screwdriver)

Helpful Hints

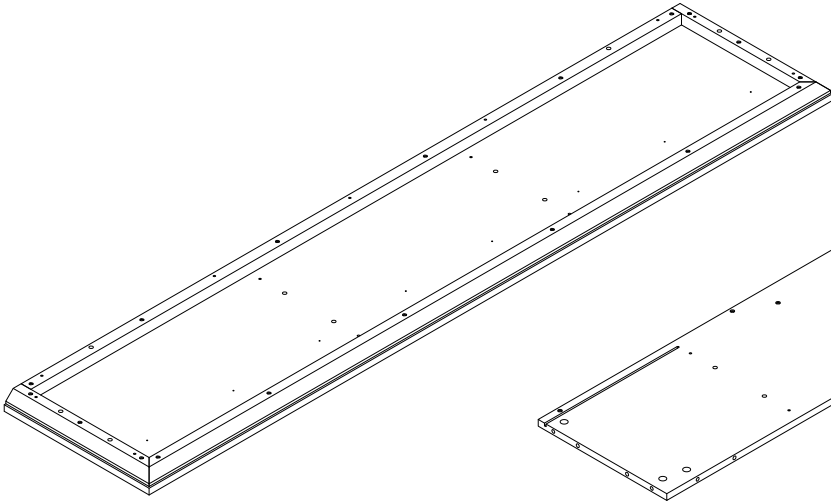
PEOPLE NEEDED FOR ASSEMBLY: 1-2

- Open your item in the area you plan to keep it to avoid excessive heavy lifting.
- Identify, sort and count the parts before attempting assembly.
- Compression dowels are lightly tapped in with a hammer.
- Slides are labeled with an **R** (right) and **L** (left) for proper placement.
- Make sure to always face the point on the top of the Cam Lock towards the outer edge.
- If there is a back panel in the package, please install it to make sure your unit is complete and sturdy.
- Please fix all the screws provided for the back panel which can enhance product stability. If it is difficult to fix it when tightening, it can be fixed with the help of a hammer and then tightened.
- Do NOT use harsh chemicals or abrasive cleaners on this item.
- Never push, pull, or drag your furniture.

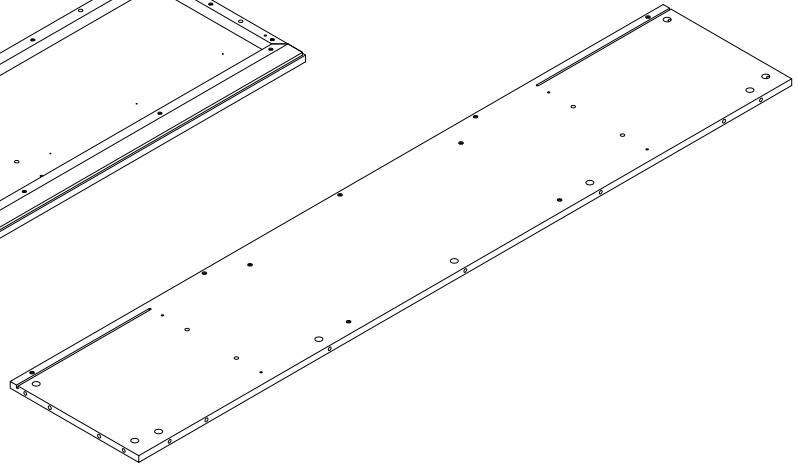


Board Identification

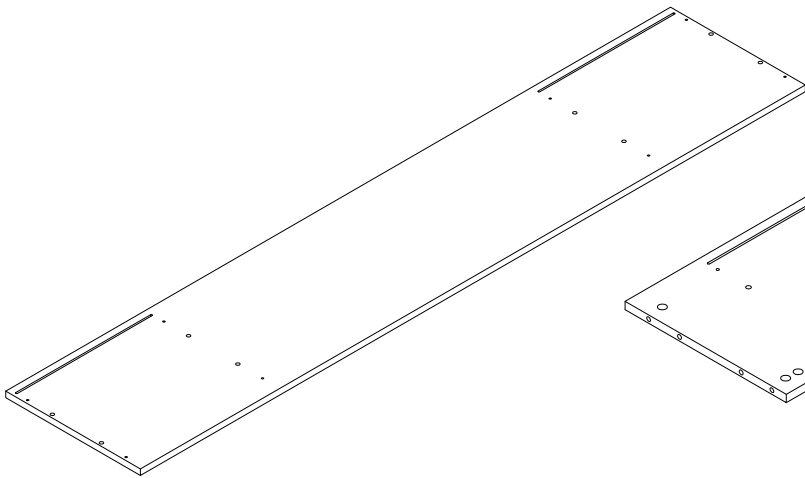
Not actual size



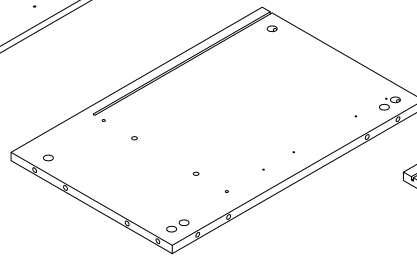
(A)
TOP
Qty:1



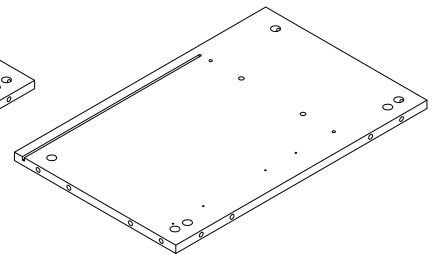
(B)
FIXED SHELF
Qty:1



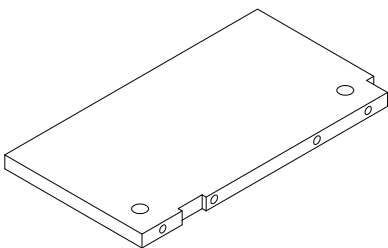
(C)
BOTTOM
Qty:1



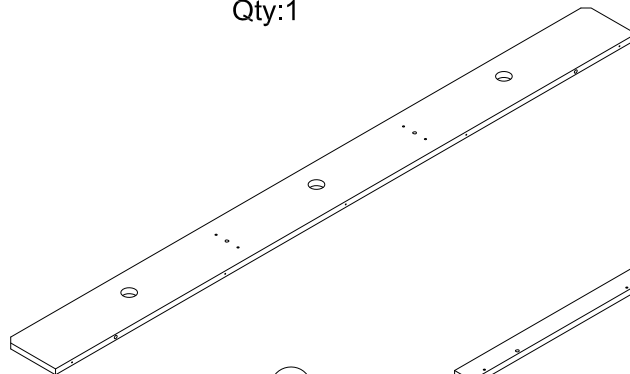
(D)
LEFT SIDE PANEL
Qty:1



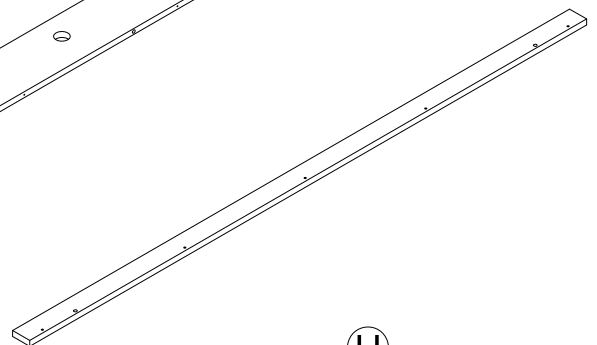
(E)
RIGHT SIDE PANEL
Qty:1



(F)
UPPER PARTITION
Qty:2



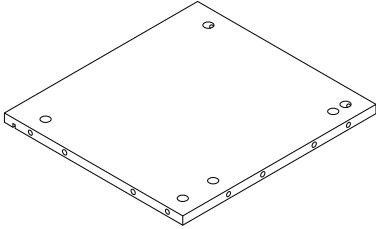
(G)
BACK PANEL
Qty:1



(H)
RAIL
Qty:1

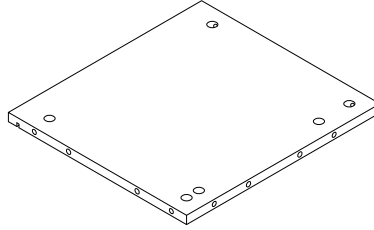
Board Identification

Not actual size



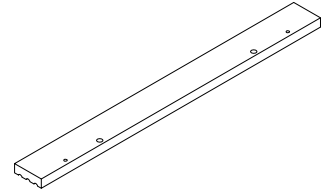
I

LEFT LOWER MIDDLE SIDE PANEL
Qty:1



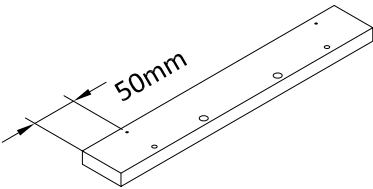
J

RIGHT LOWER MIDDLE SIDE PANEL
Qty:1



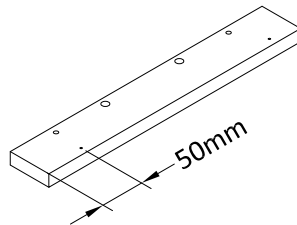
K

RAIL
Qty:2



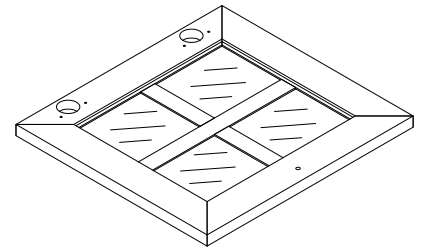
L

LEFT RAIL
Qty:1



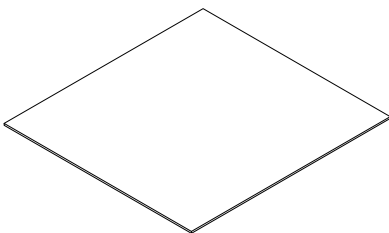
M

RIGHT RAIL
Qty:1



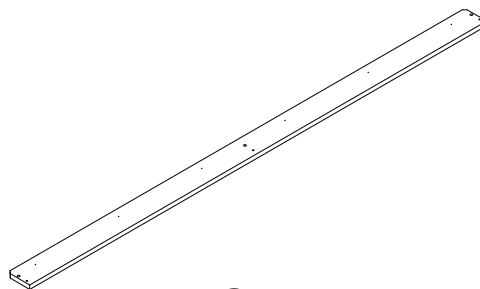
N

DOOR
Qty:2



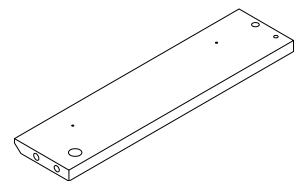
O

BACK PANEL
Qty:2



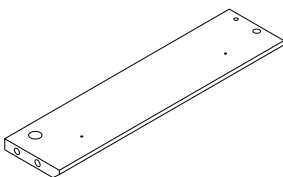
P

FRONT BASE PANEL
Qty:1



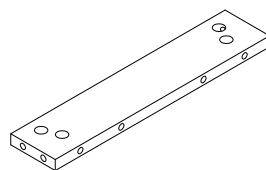
Q

LEFT BASE PANEL
Qty:1



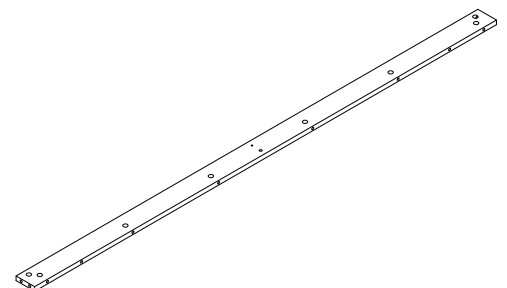
R

RIGHT BASE PANEL
Qty:1



S

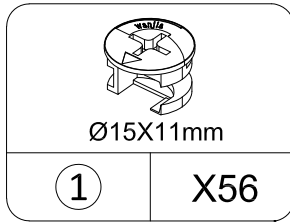
MIDDLE BASE PANEL
Qty:1



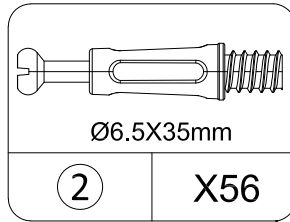
T

BACK BASE PANEL
Qty:1

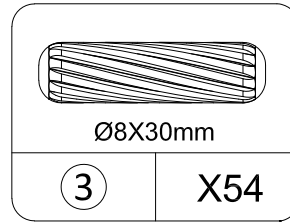
Part List



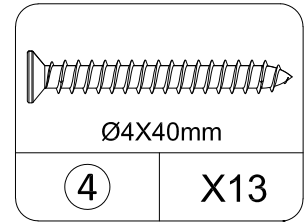
CAM LOCK
spare:2



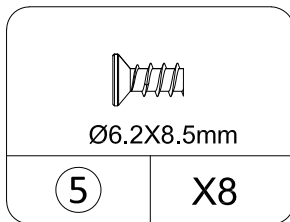
CAM BOLT
spare:2



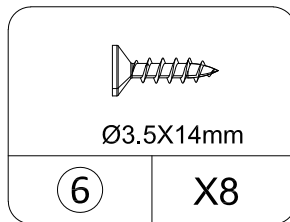
WOODEN DOWEL
spare:2



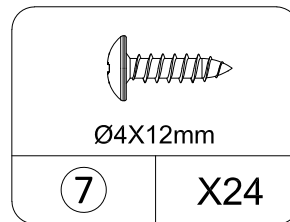
SCREW
spare:1



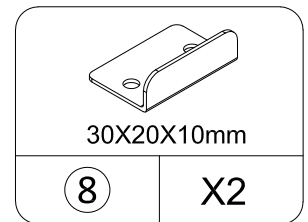
SCREW
spare:1



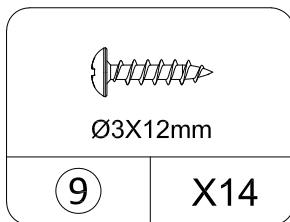
SCREW
spare:1



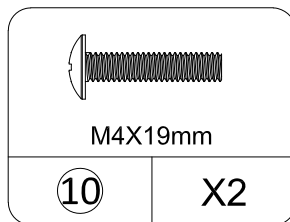
SCREW
spare:1



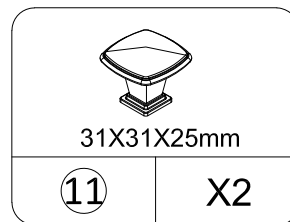
DOOR STOPPER



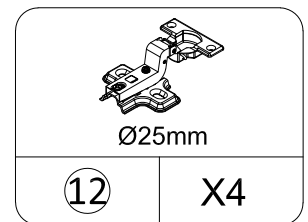
SCREW
spare:1



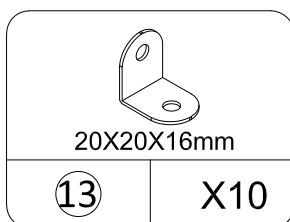
SCREW
spare:1



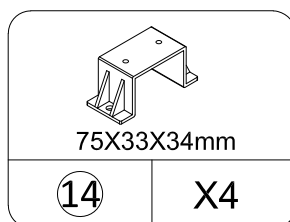
HANDLE



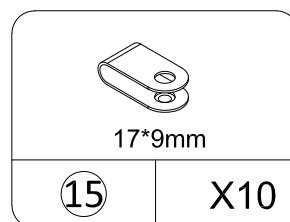
HINGE



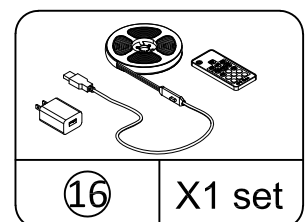
L-SHAPED IRON



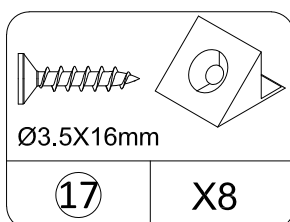
U-BRACKET



LAMP BELT BUCKLE
spare:1



LIGHT STRIP

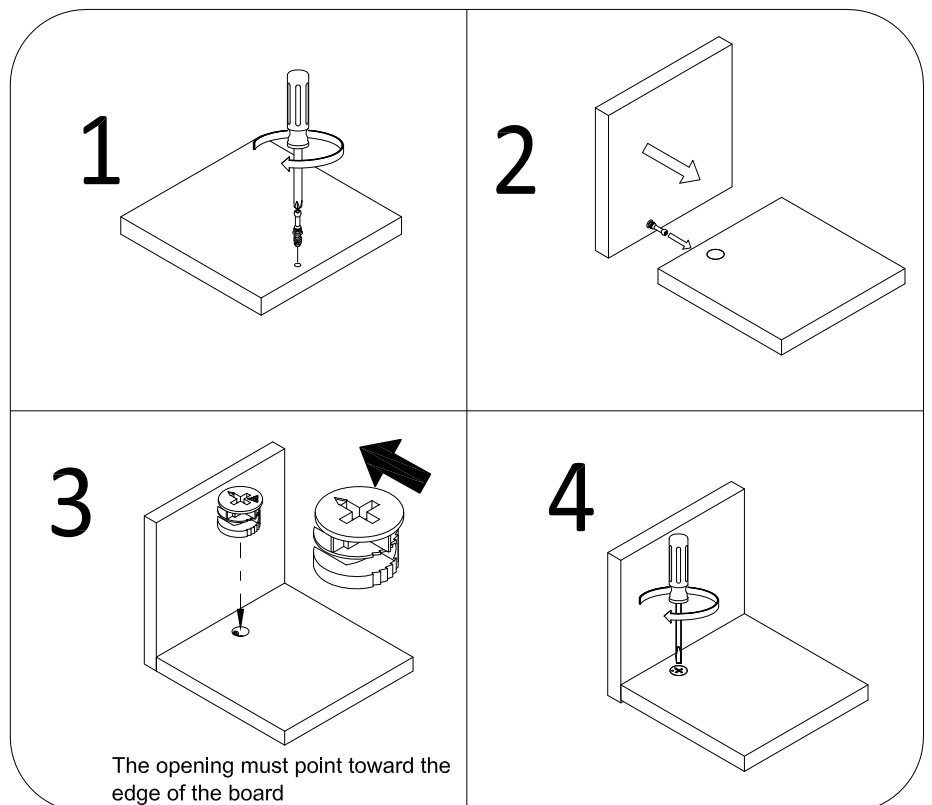


BACKBOARD BUCKLE

Part List

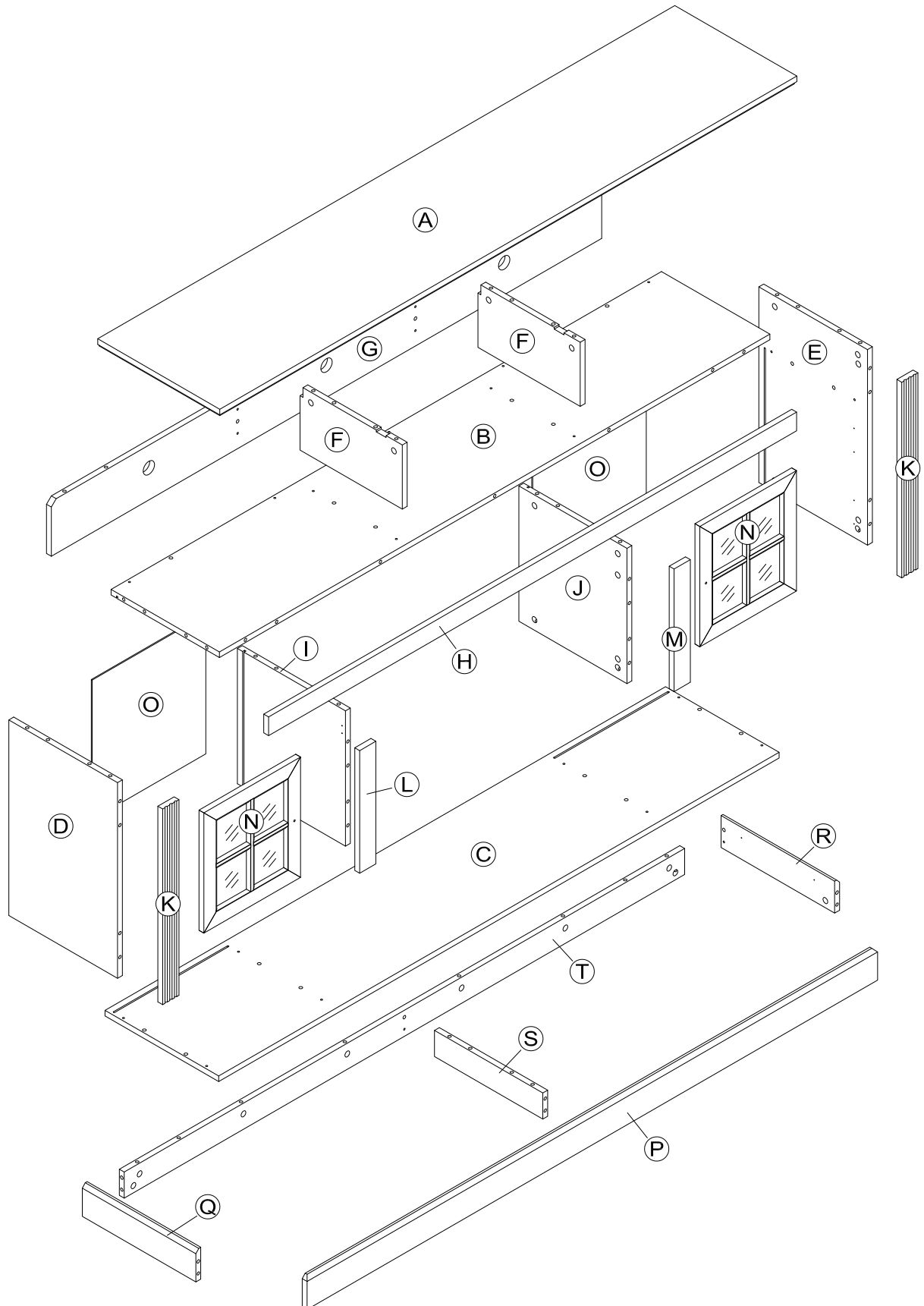
Cam Lock Fastening System

Insert the cam bolt into the hole first, then insert the cam lock and lock it.

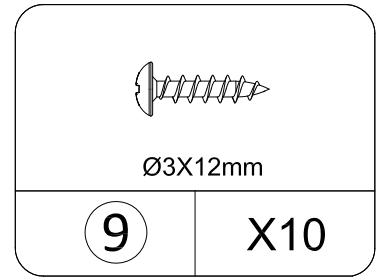
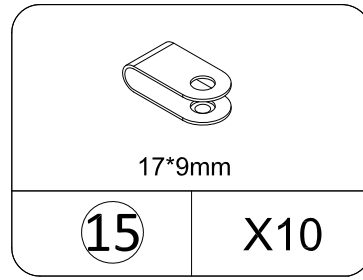
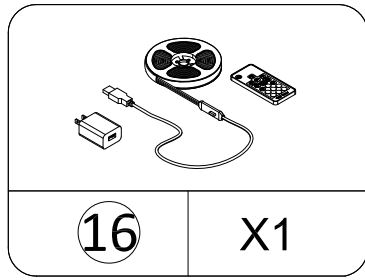
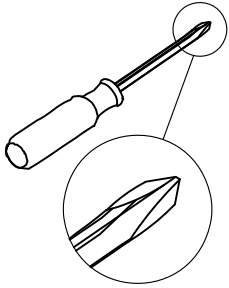


Board Identification

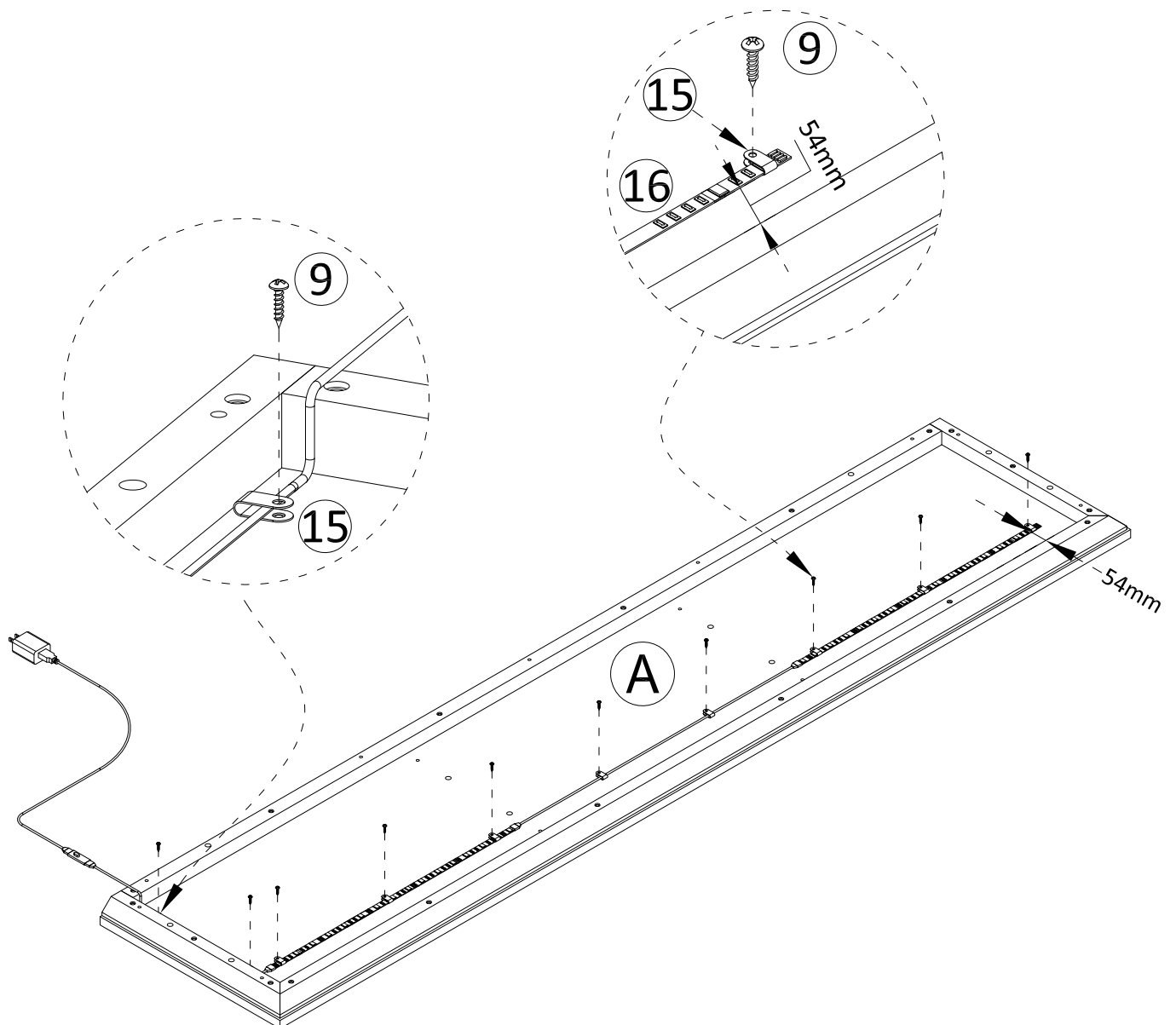
Not actual size



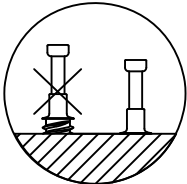
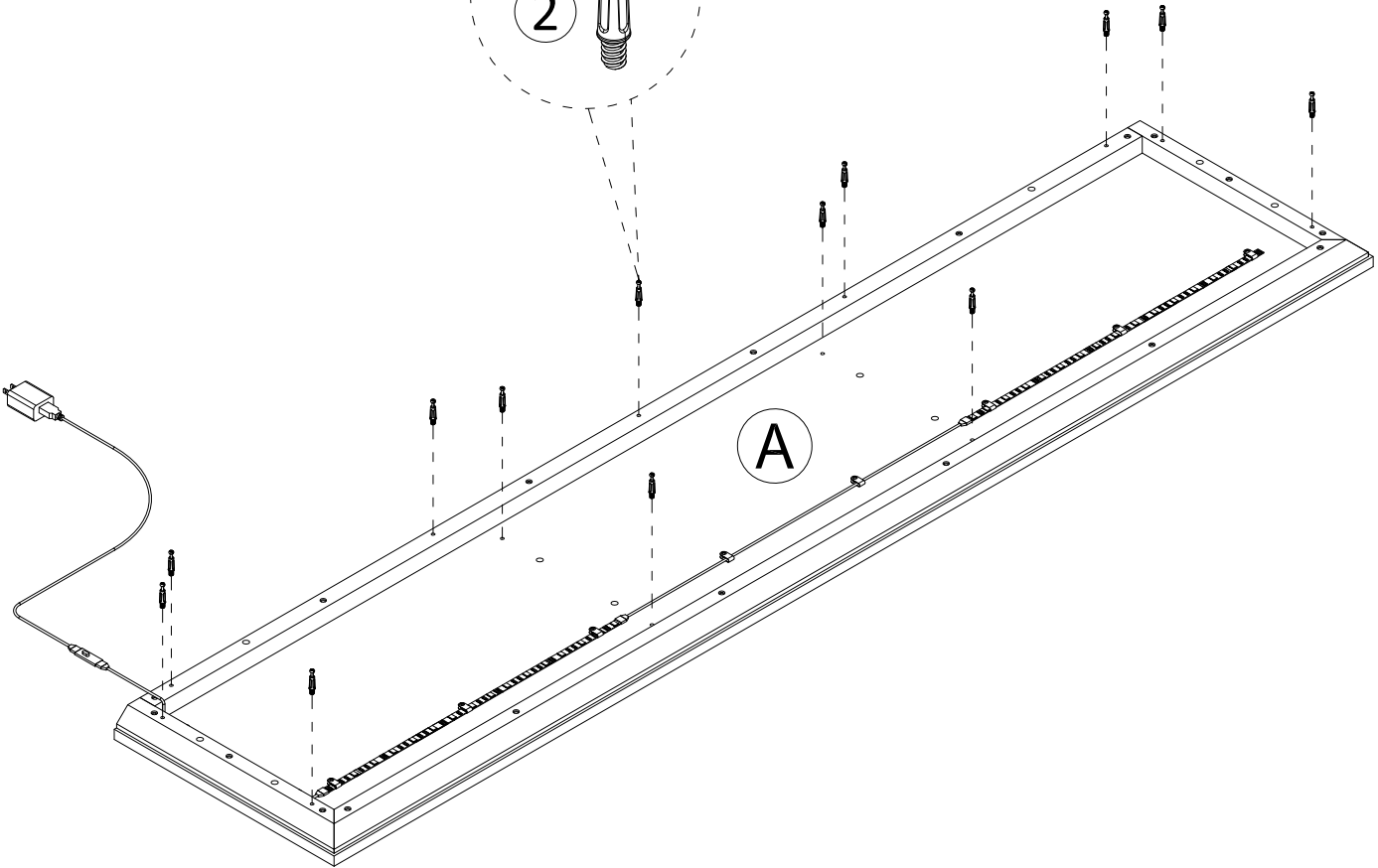
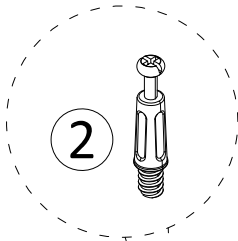
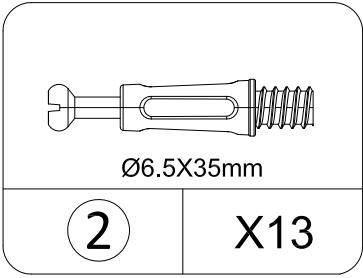
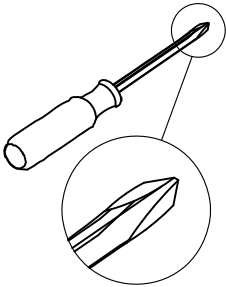
STEP1



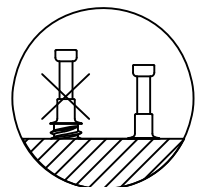
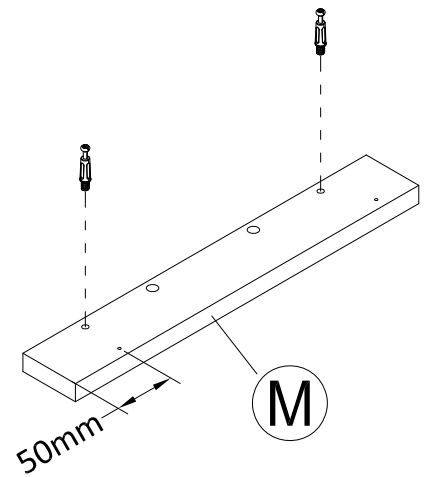
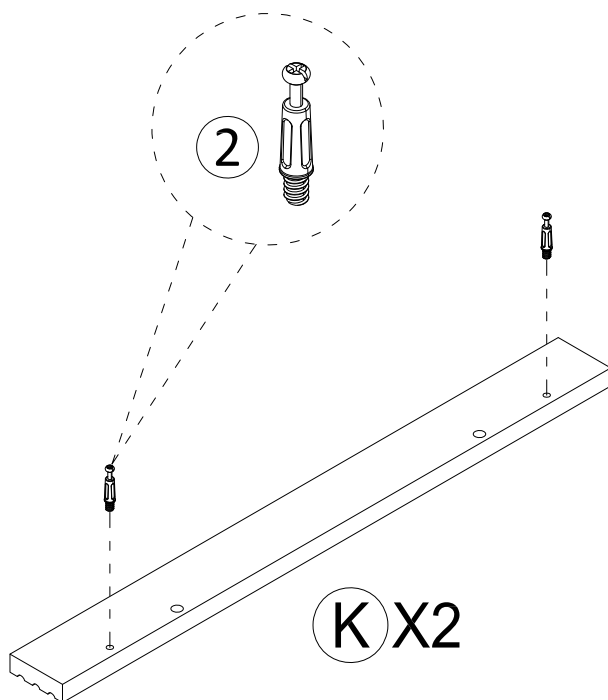
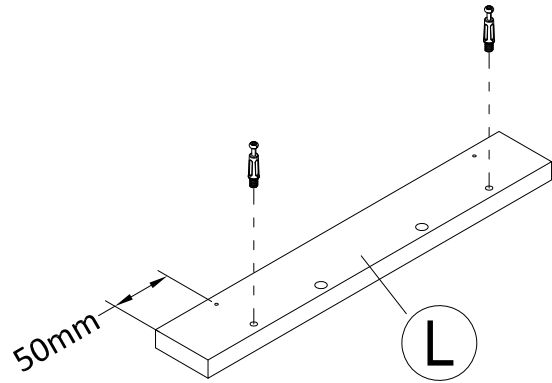
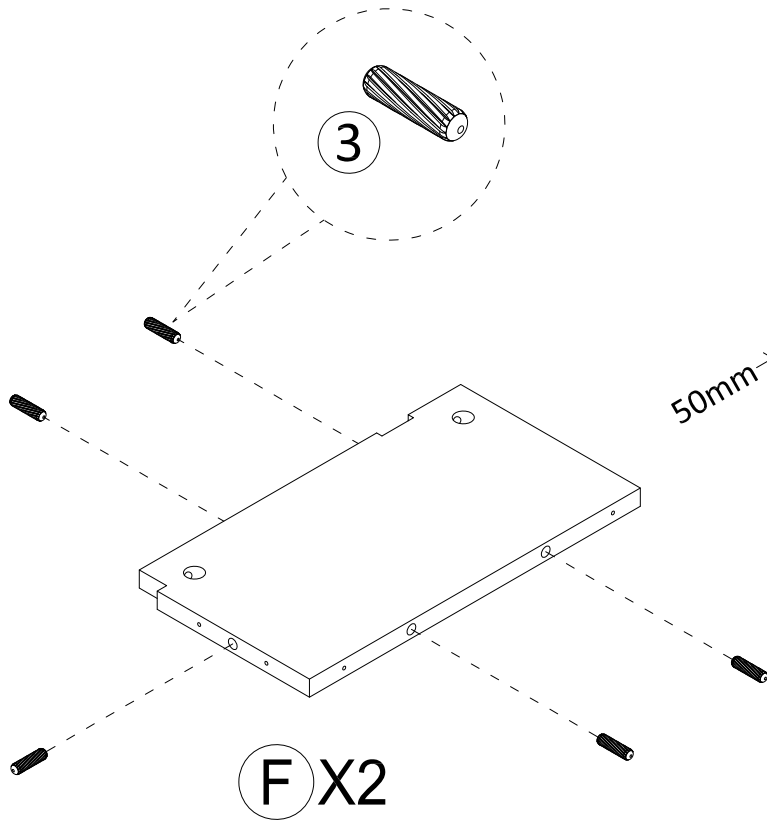
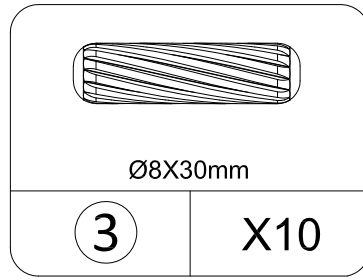
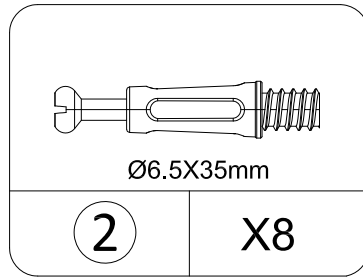
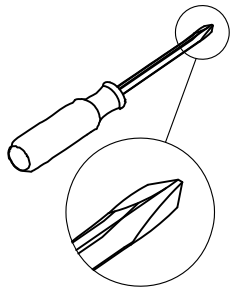
1. Prepare a marker and ruler. Firstly, use a ruler to measure the distance between the back edges of the top plate to be 54mm, and draw an auxiliary line for pasting the light strip.
2. Tear off the 3M adhesive tape on the back of the light strip and stick it inward along the previously marked line.
3. Clamp the light strip buckle (15) onto the light strip, align it with the corresponding hole, and then screw in the screw (9)



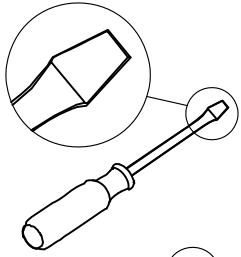
STEP2




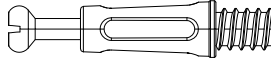
STEP 3




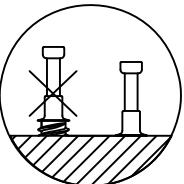
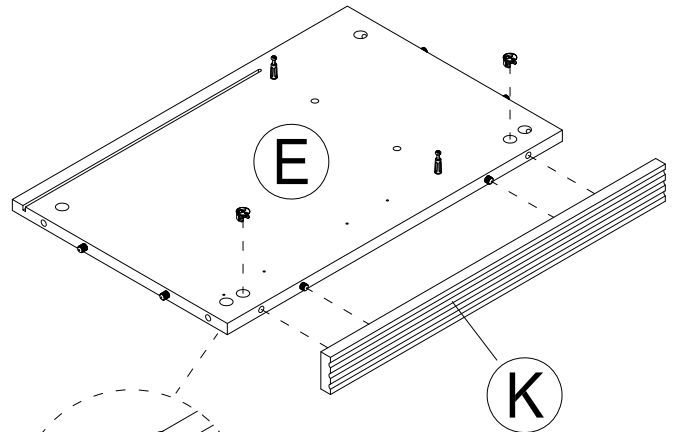
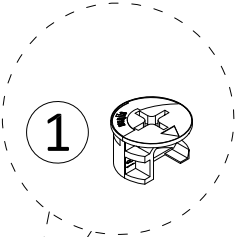
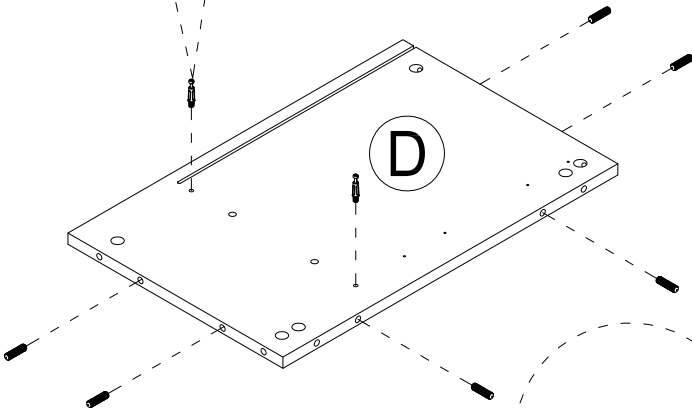
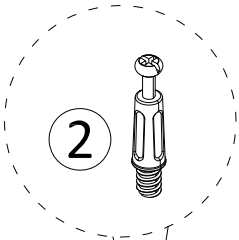
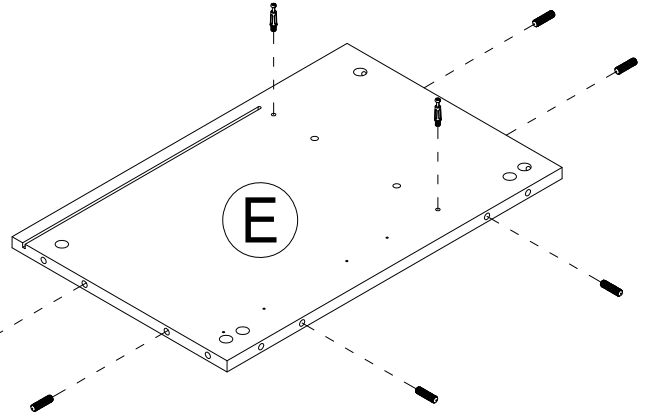
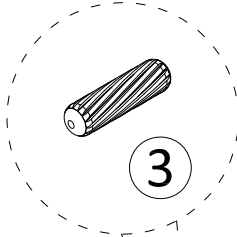
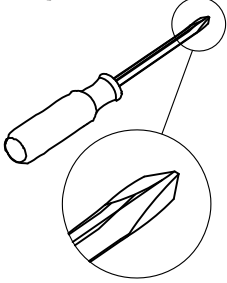
STEP 4



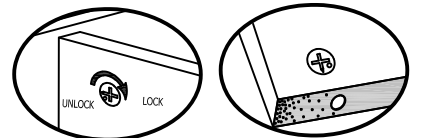
 <p>Ø15X11mm</p>	
1	X4

 <p>Ø6.5X35mm</p>	
2	X4

 <p>Ø8X30mm</p>	
3	X12

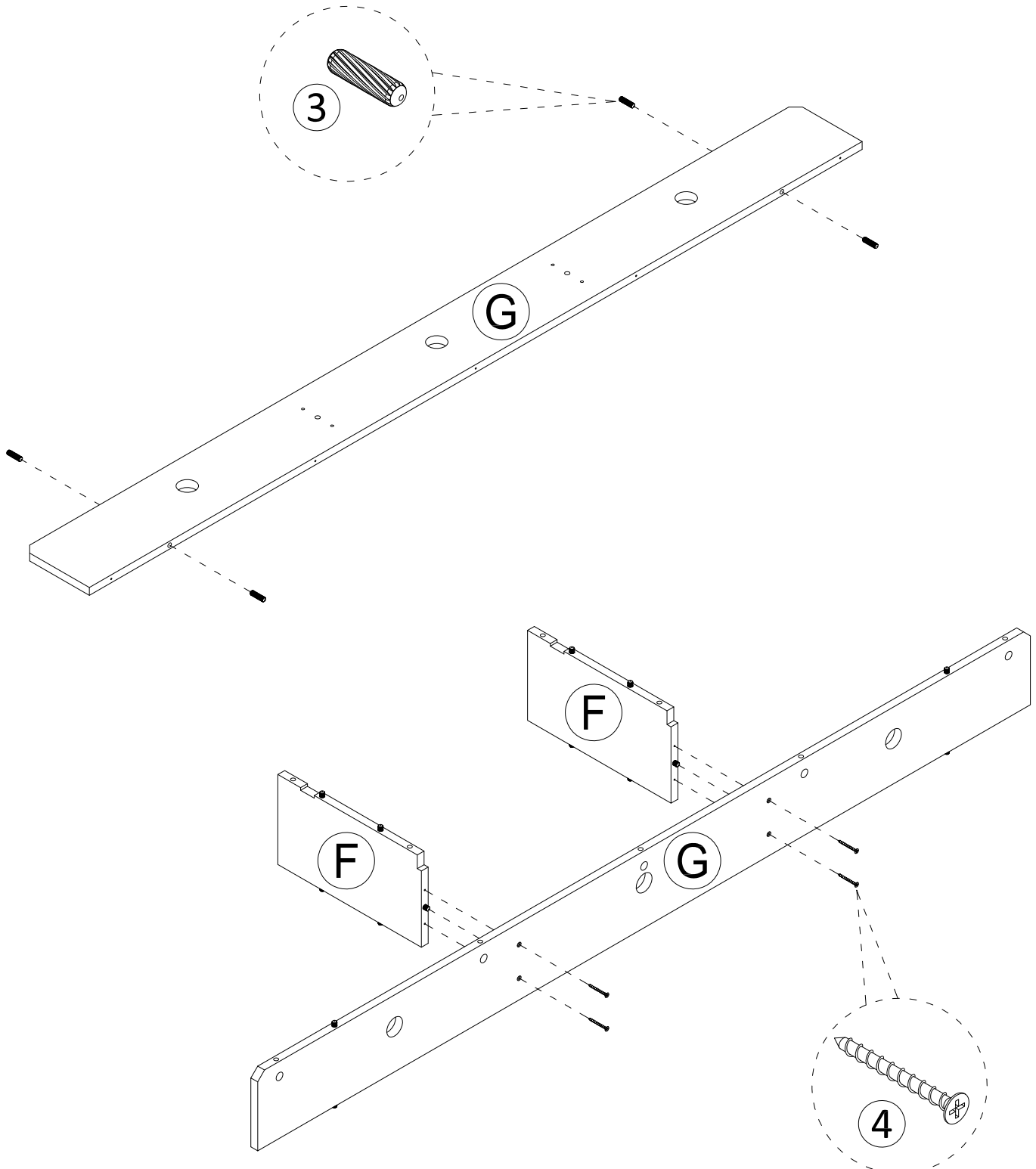
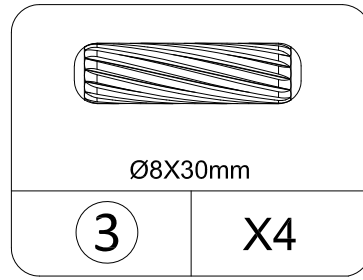
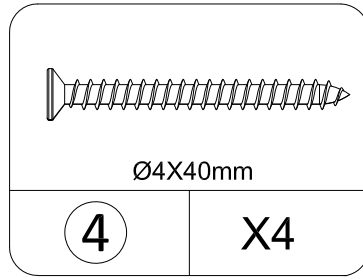
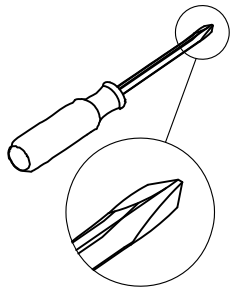


Insert the cam bolt into the hole first, then insert the cam lock and lock it.

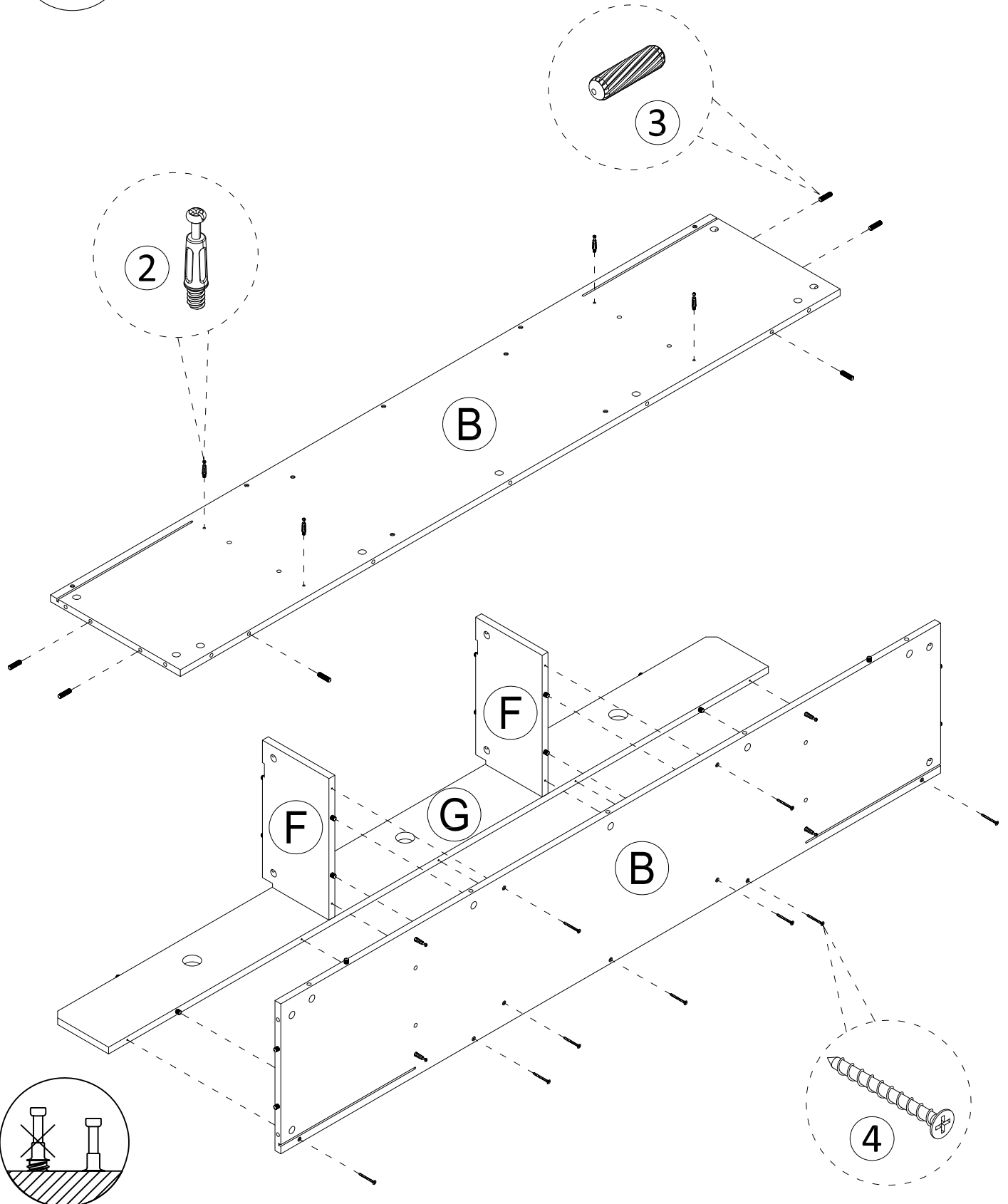
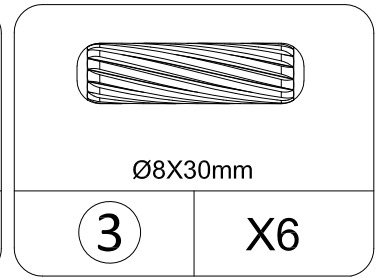
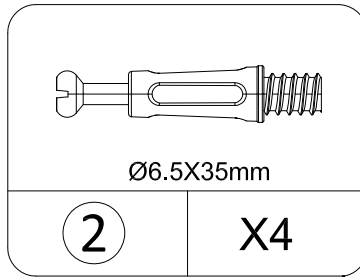
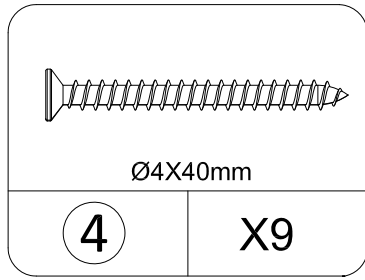
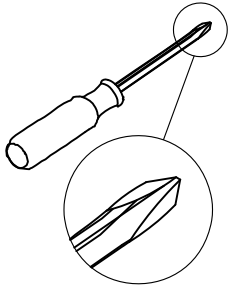


Proper orientation of CAM LOCK

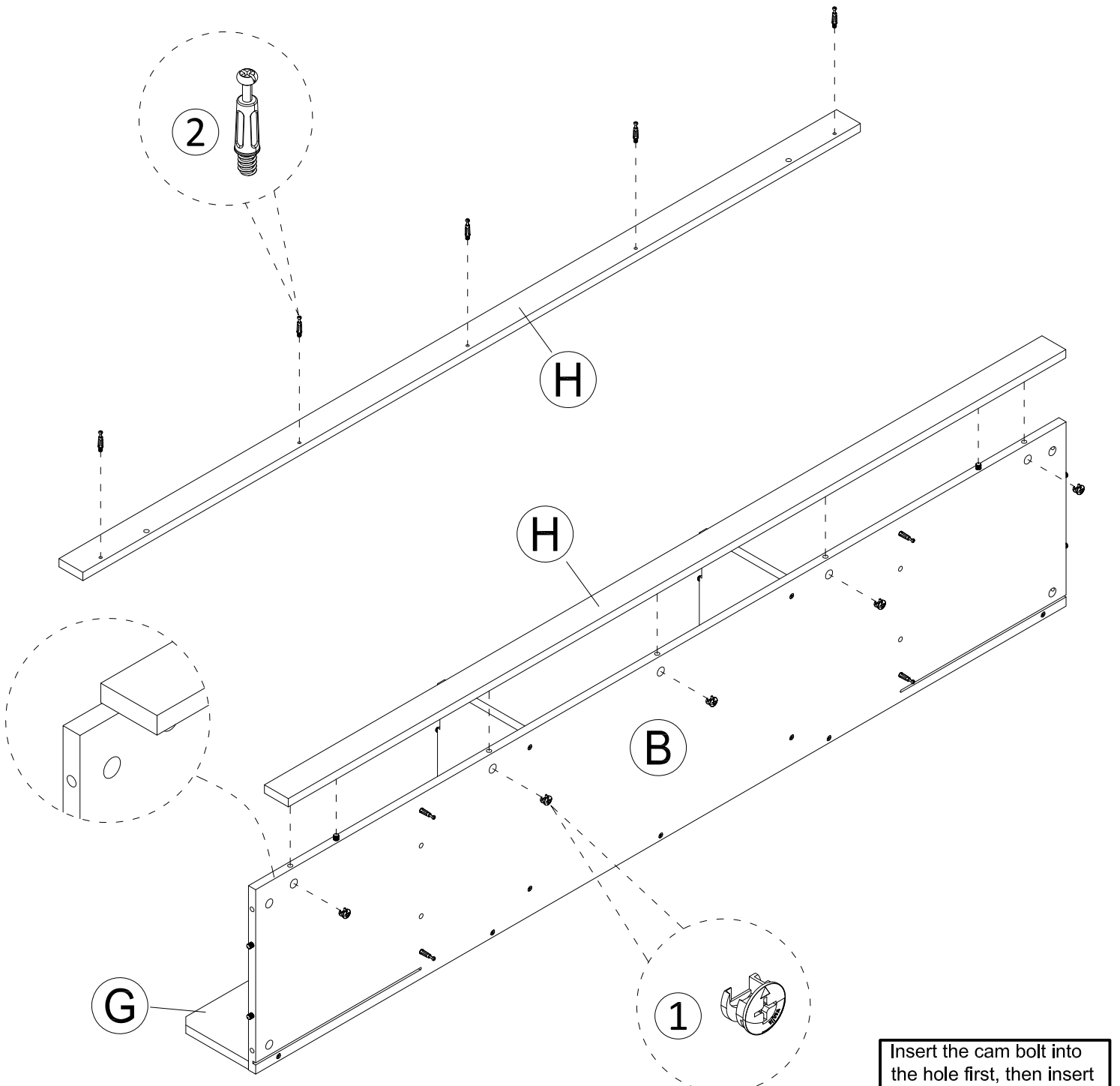
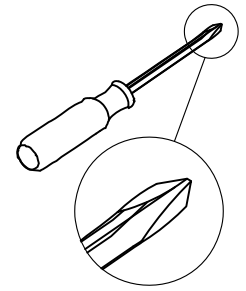
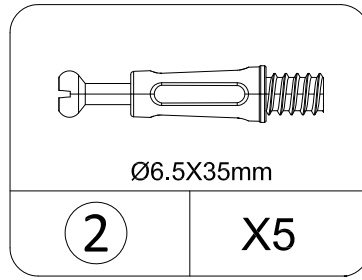
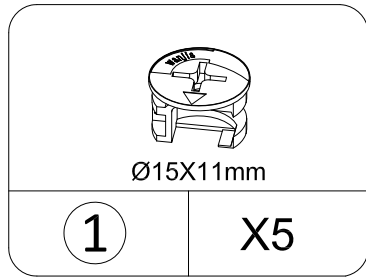
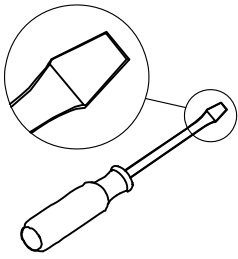
STEP 6



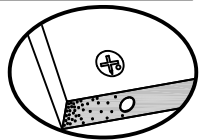
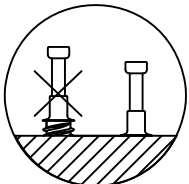
STEP 7



STEP 8

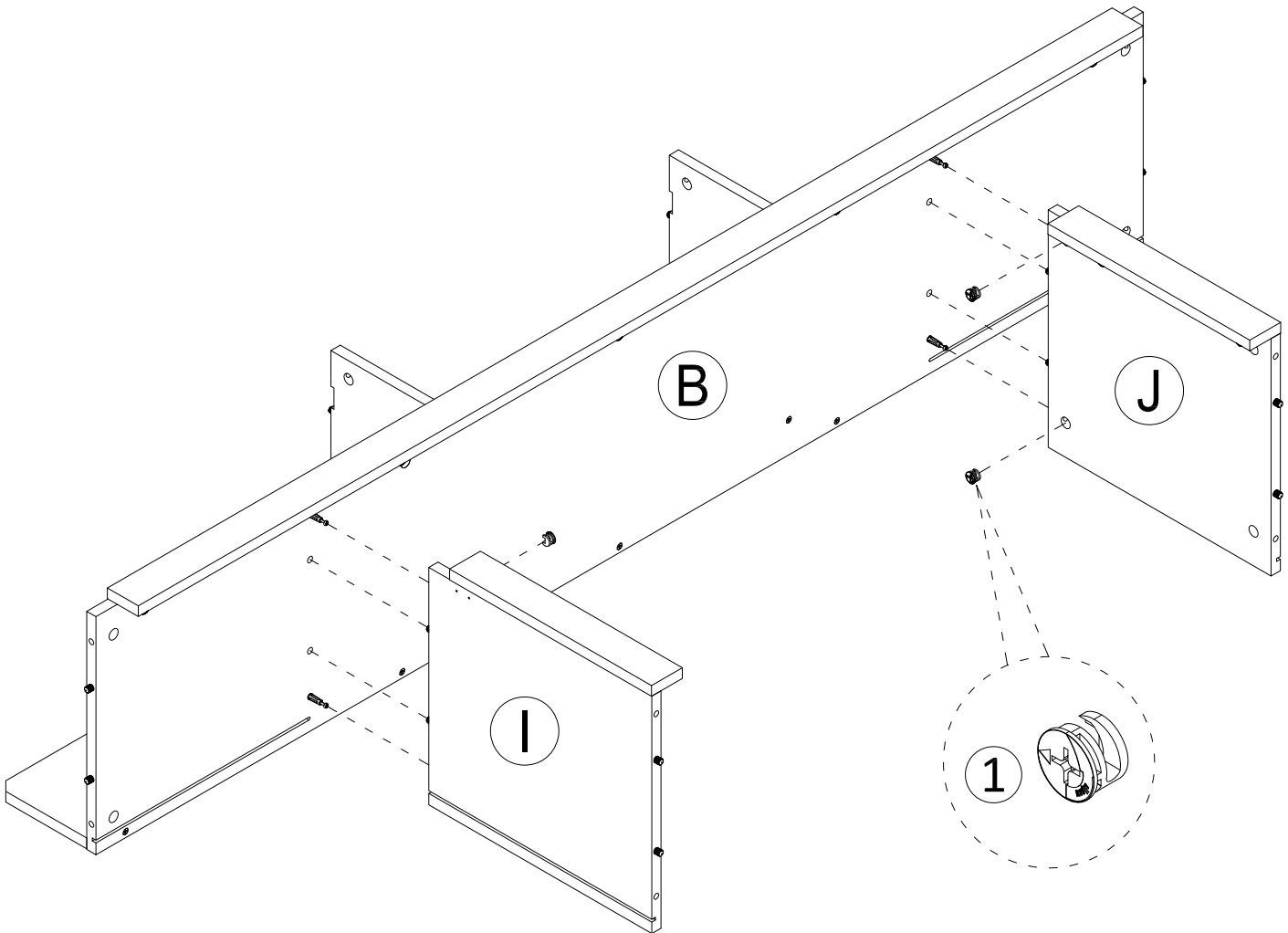
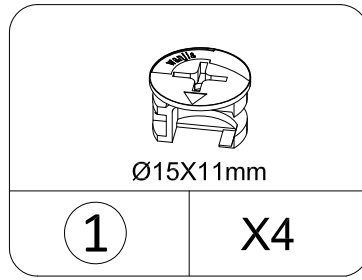
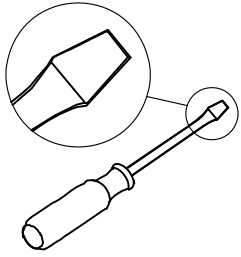


Insert the cam bolt into the hole first, then insert the cam lock and lock it.

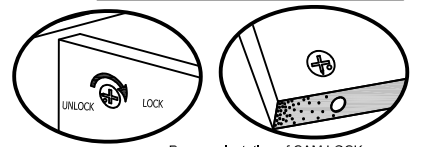


Proper orientation of CAM LOCK

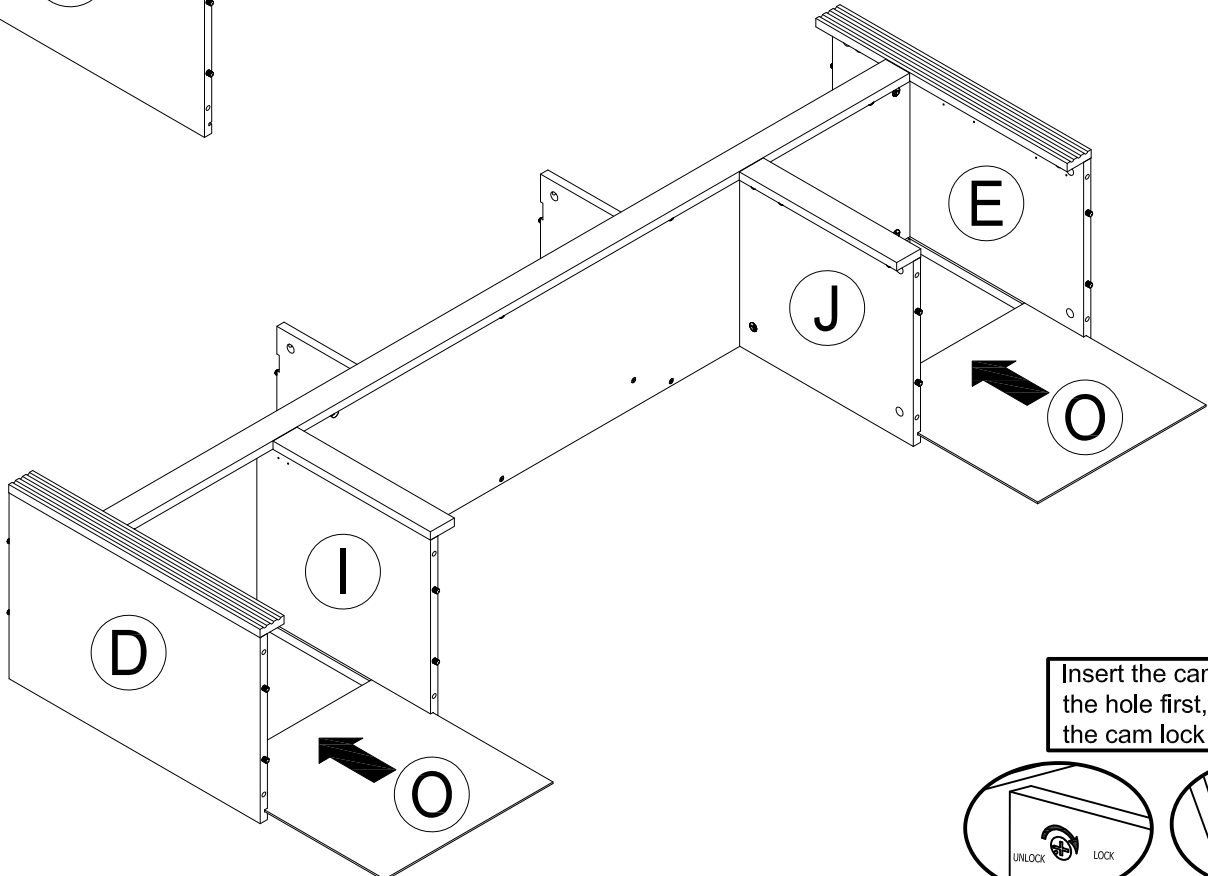
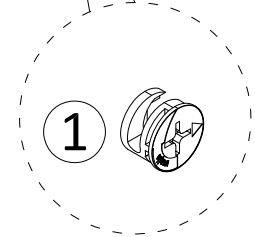
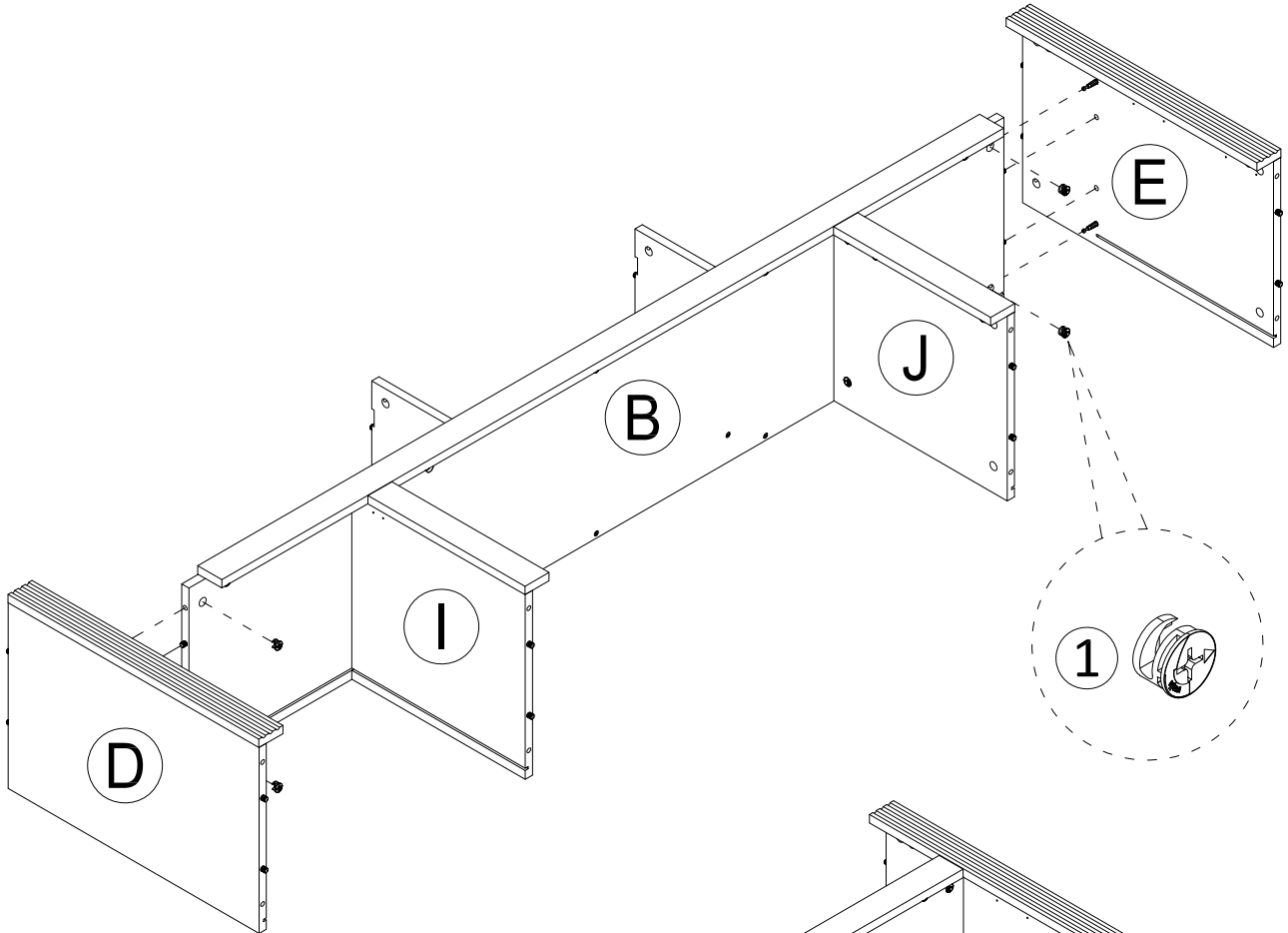
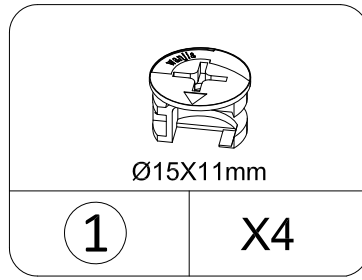
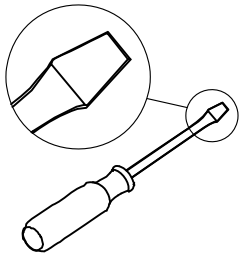
STEP9



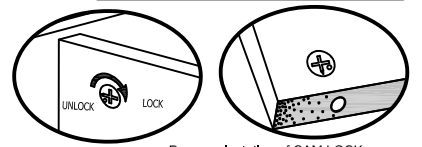
Insert the cam bolt into the hole first, then insert the cam lock and lock it.



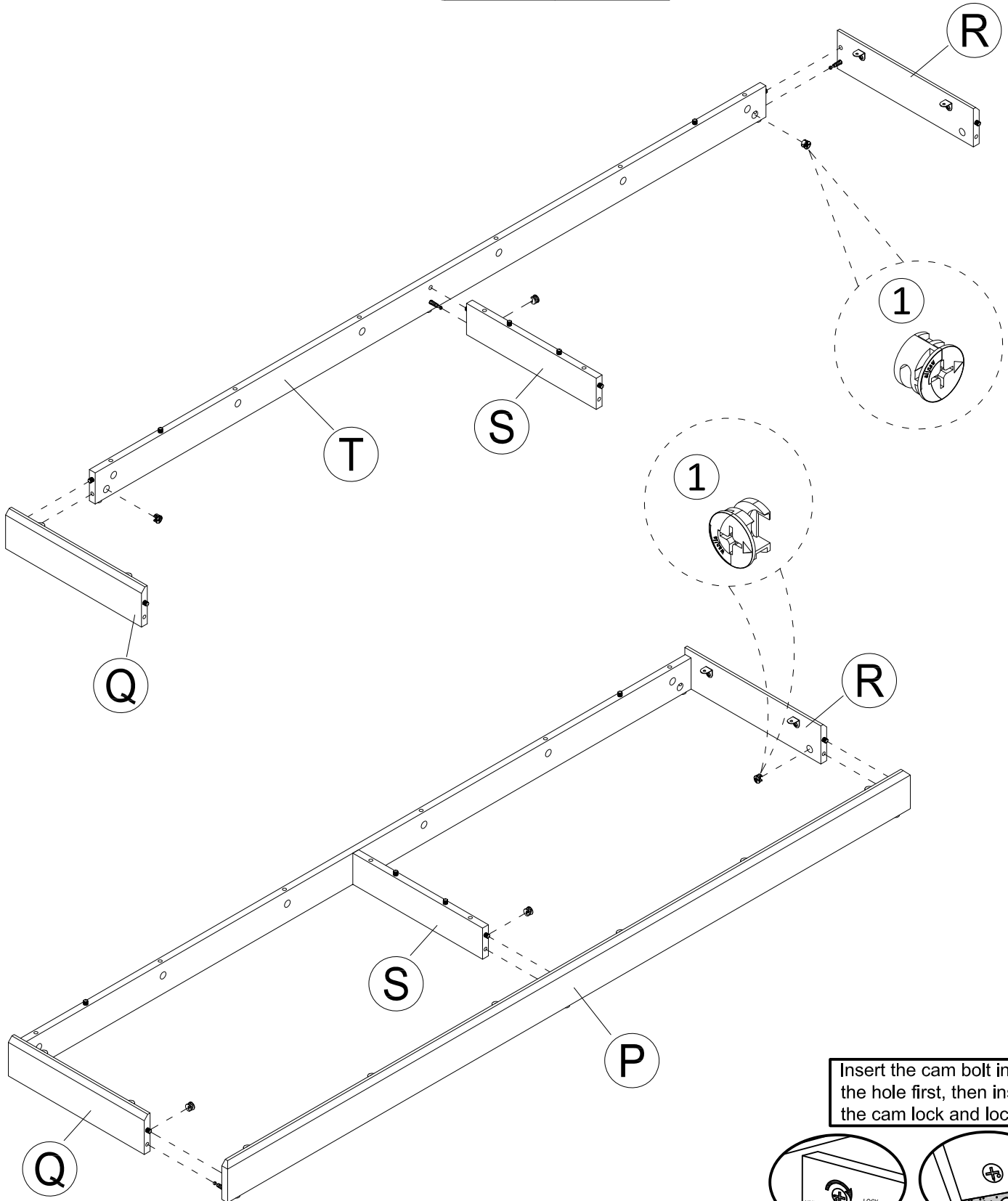
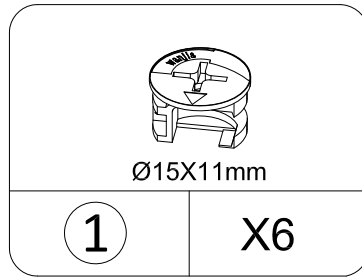
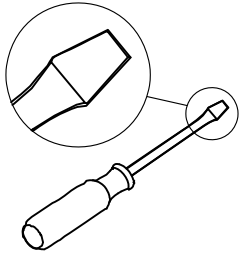
STEP10



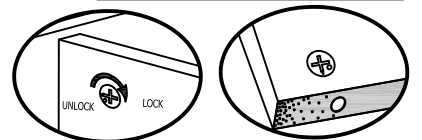
Insert the cam bolt into the hole first, then insert the cam lock and lock it.



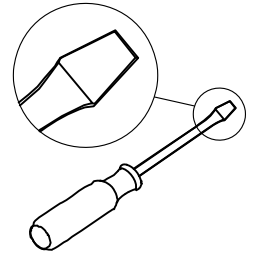
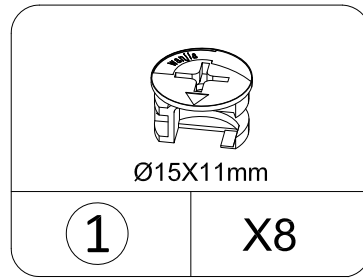
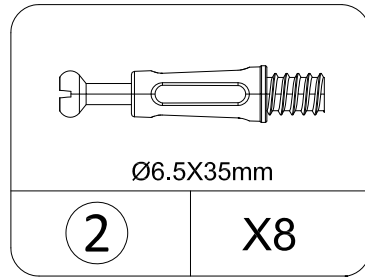
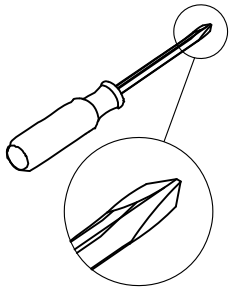
STEP 12



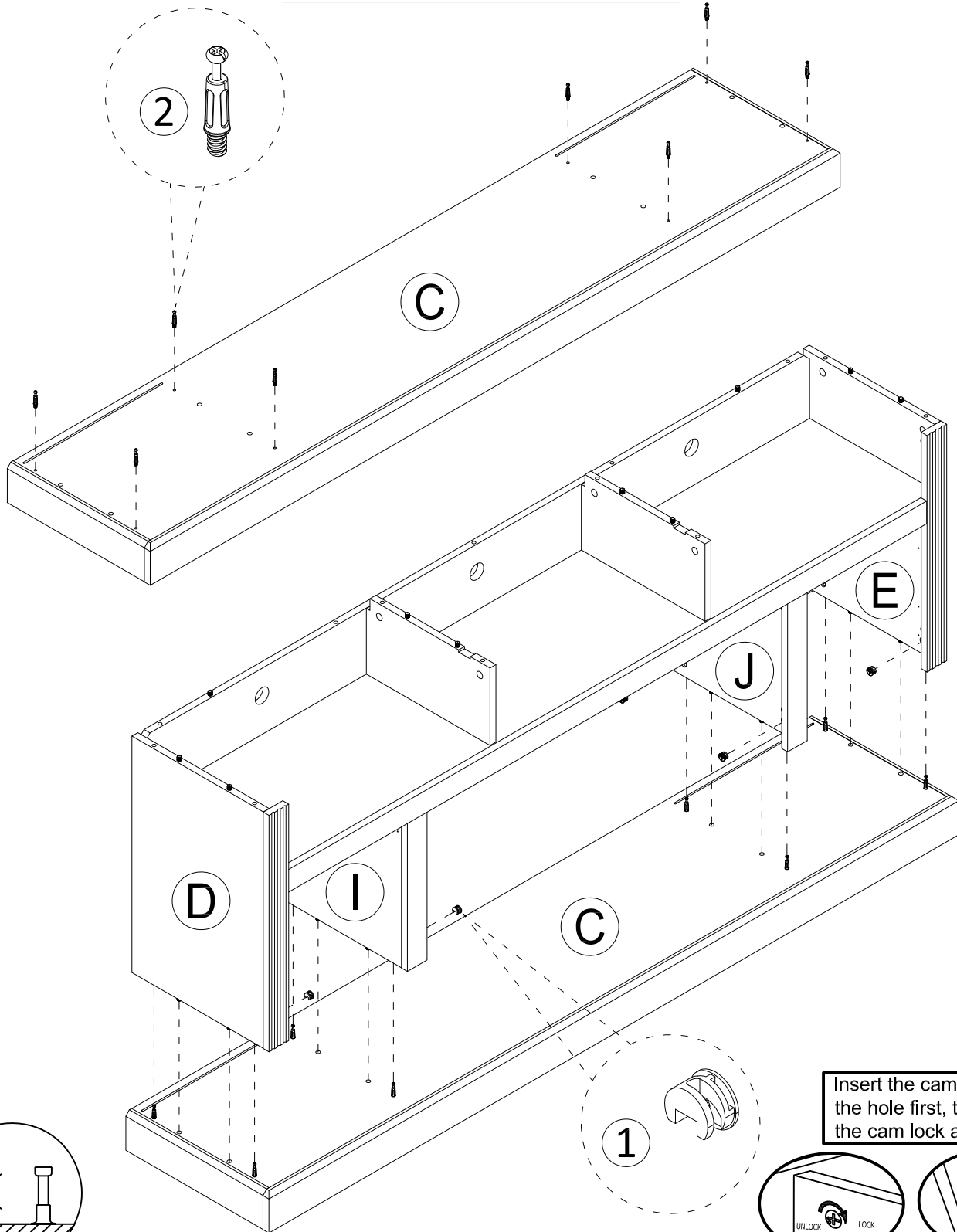
Insert the cam bolt into the hole first, then insert the cam lock and lock it.



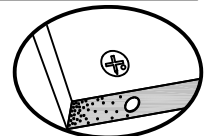
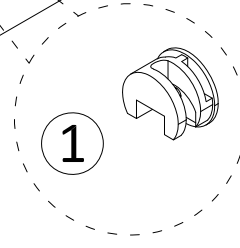
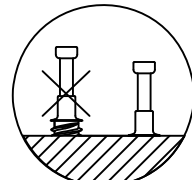
STEP 14



THIS STEP REQUIRES 2 PEOPLE

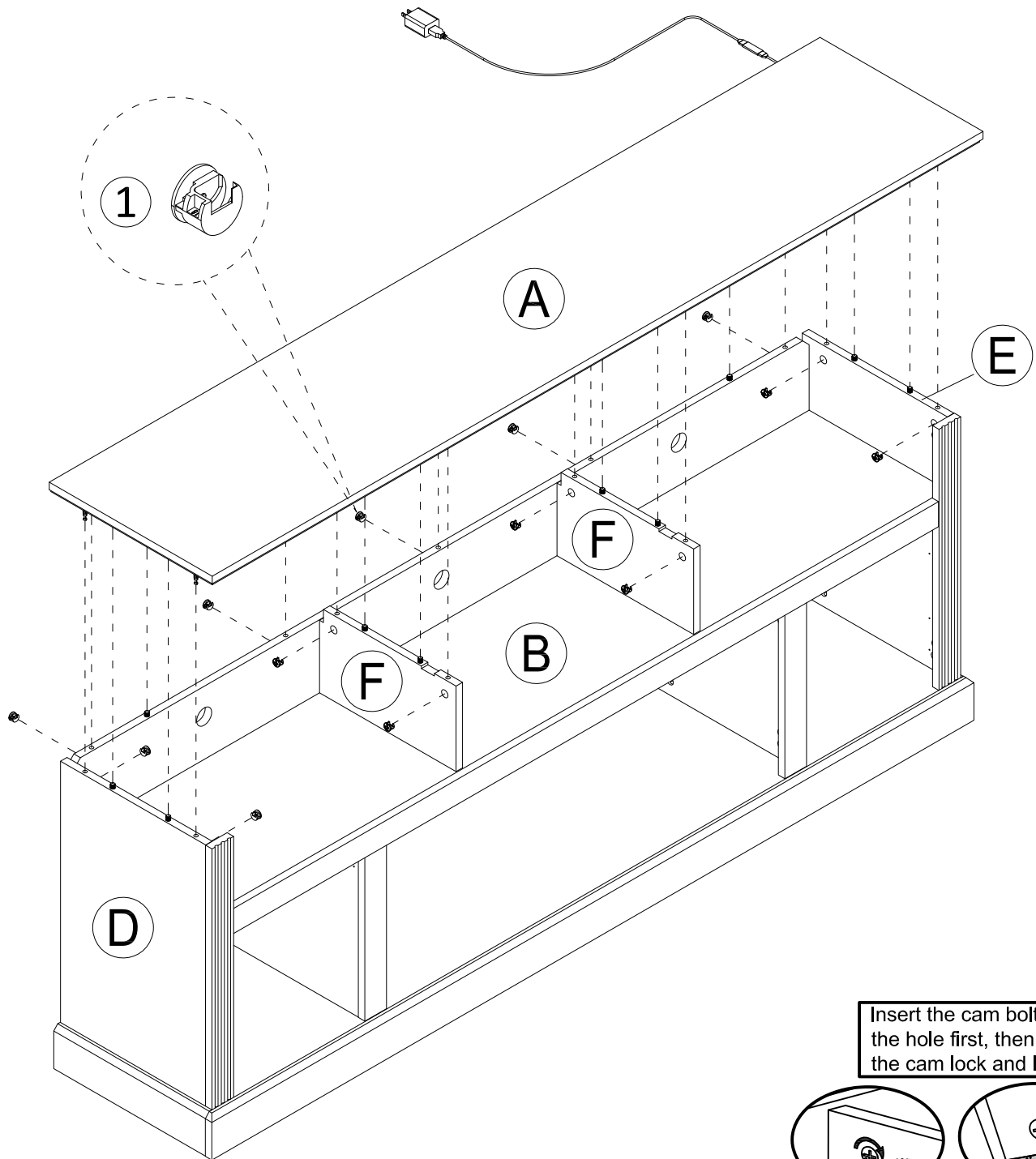
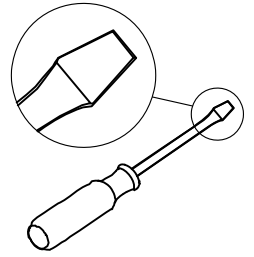
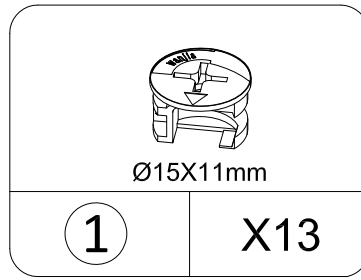


Insert the cam bolt into the hole first, then insert the cam lock and lock it.

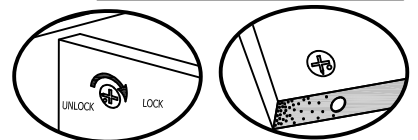


Proper orientation of CAM LOCK

STEP15

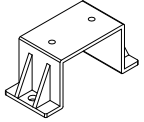


Insert the cam bolt into the hole first, then insert the cam lock and lock it.



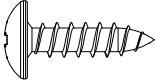
Proper orientation of CAM LOCK

STEP16



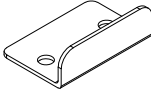
75X33X34mm

14	X4
----	----



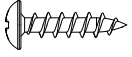
Ø4X12mm

7	X8
---	----



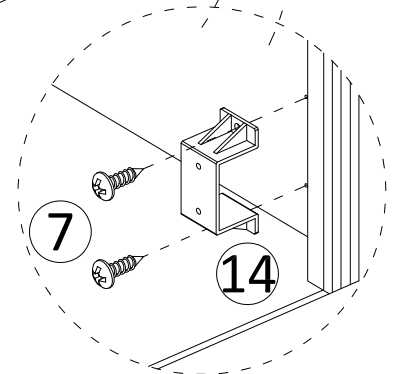
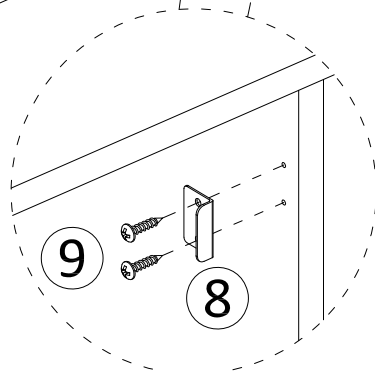
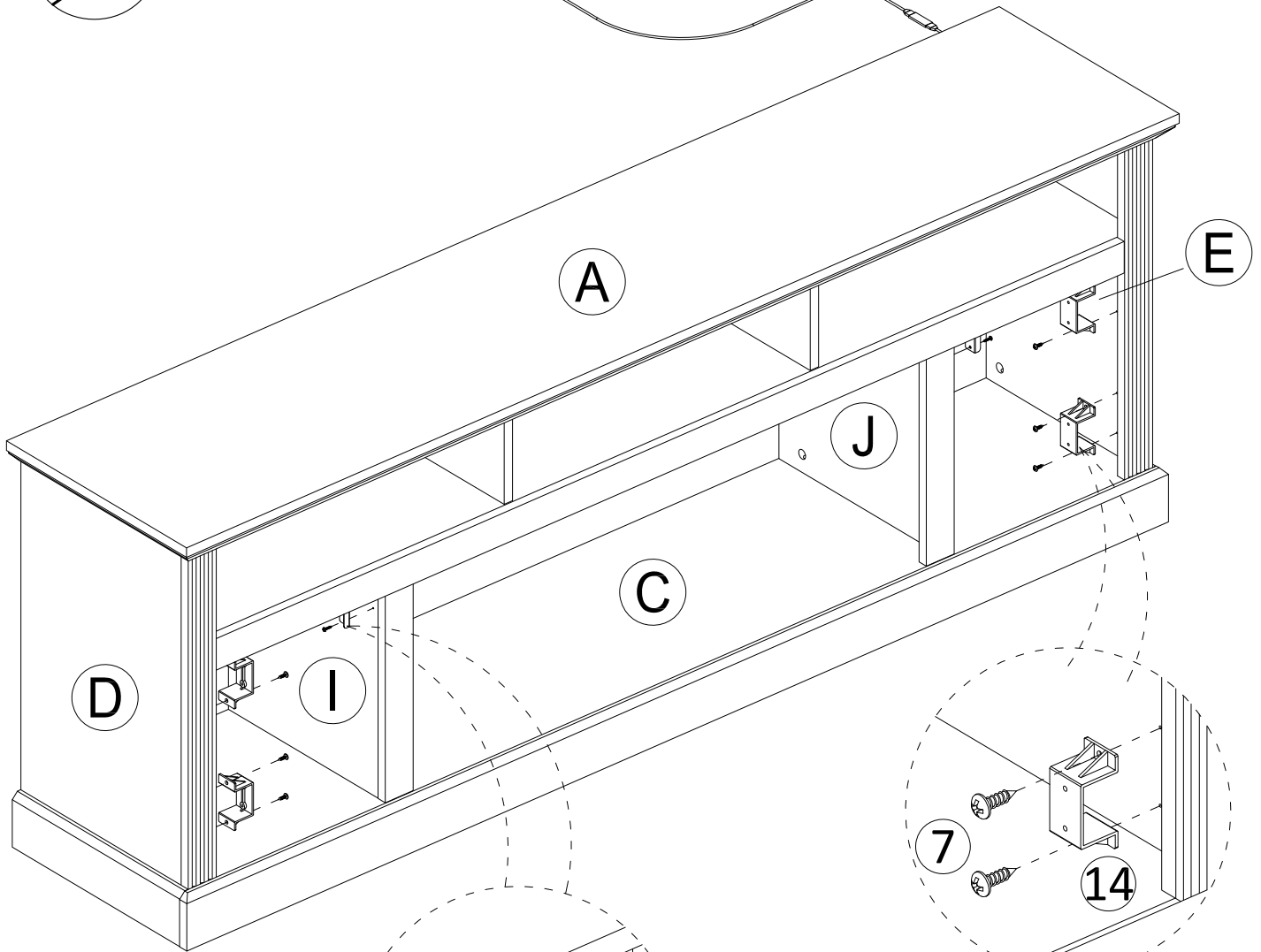
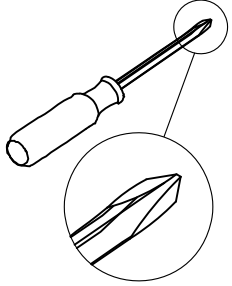
30X20X10mm

8	X2
---	----

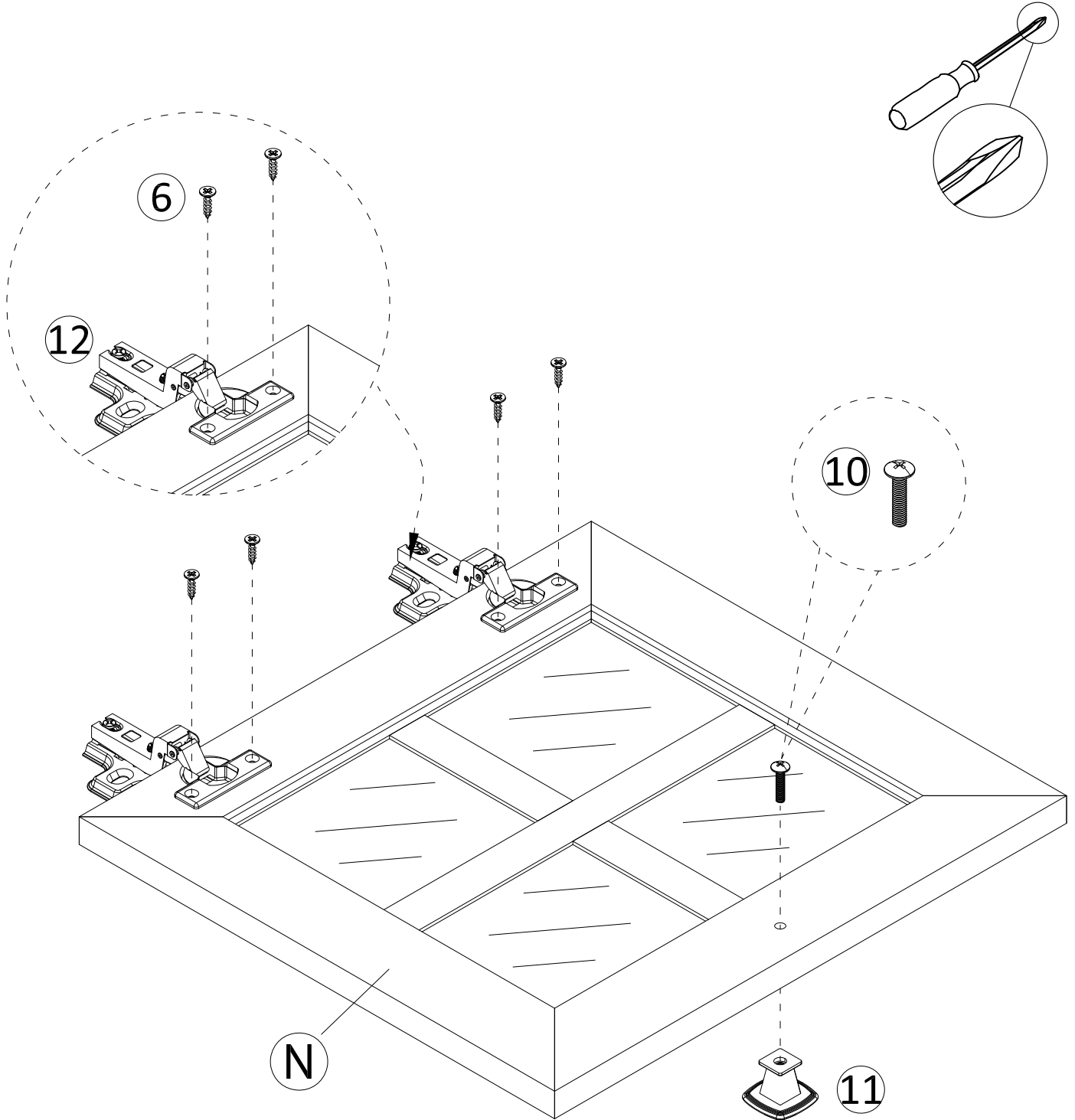
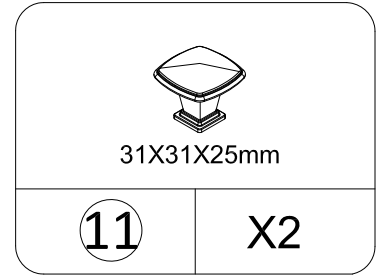
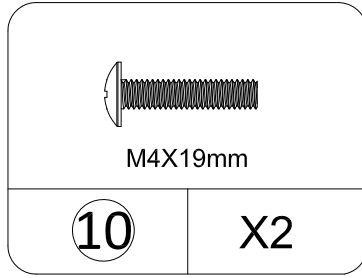
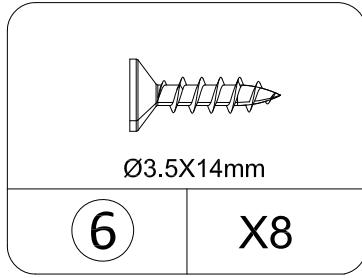
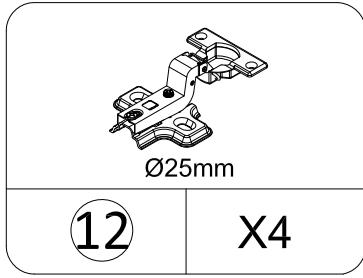


Ø3X12mm

9	X4
---	----

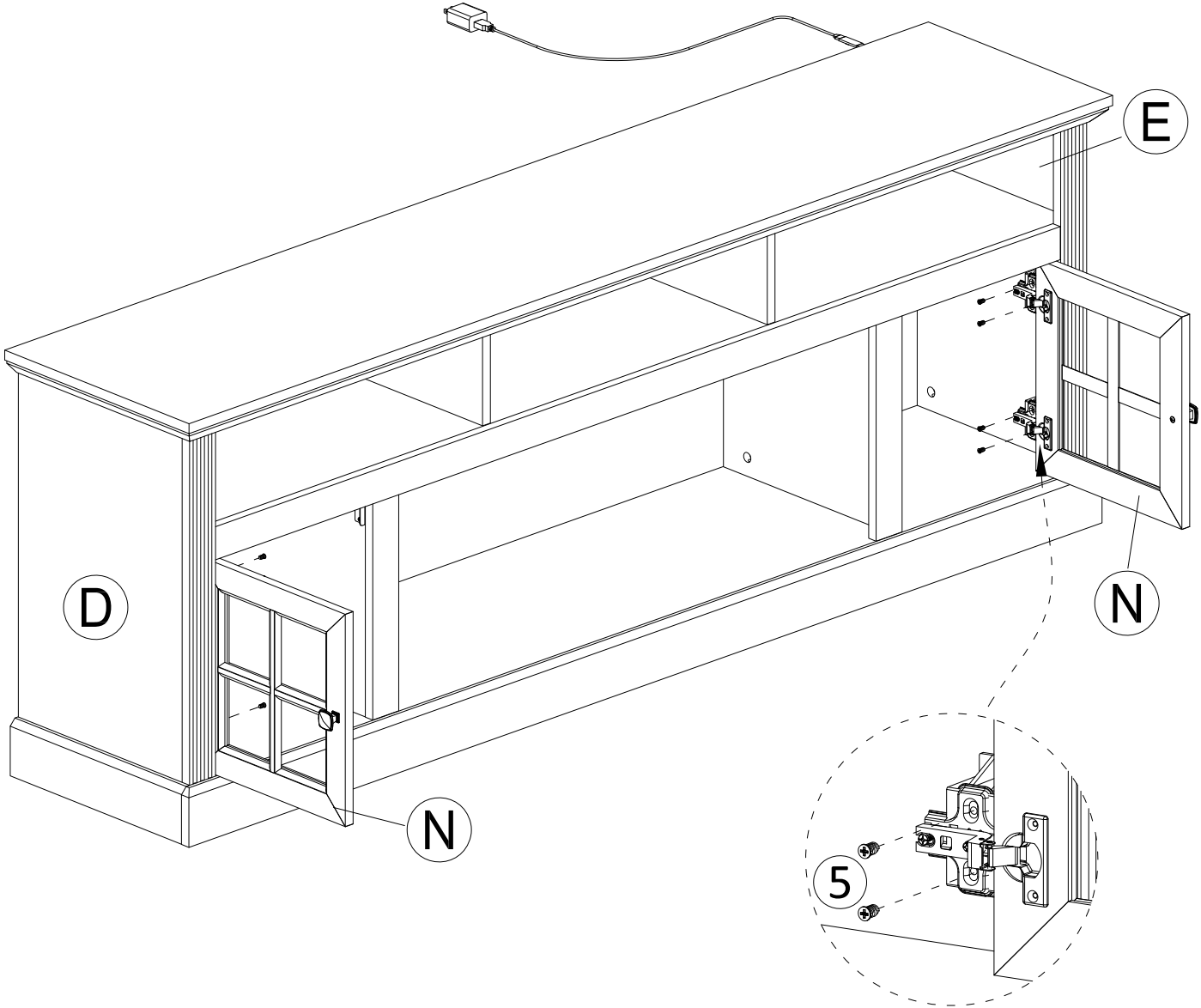
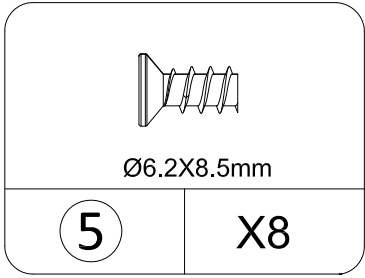
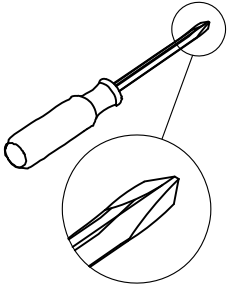


STEP17

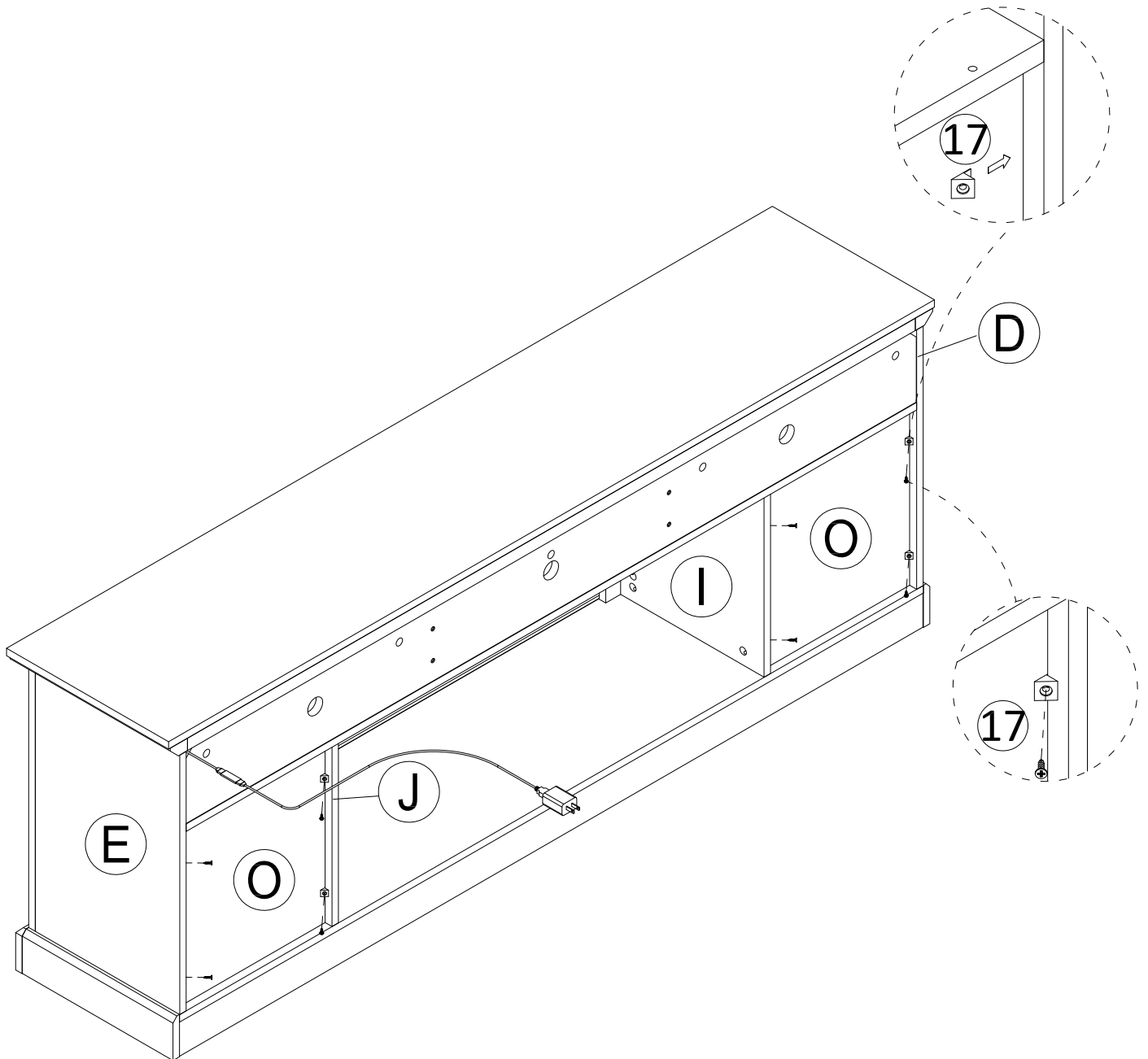
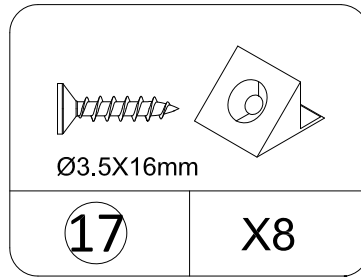
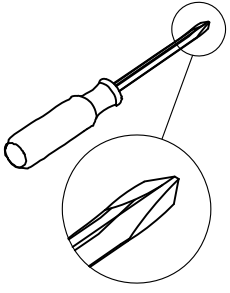


N X2

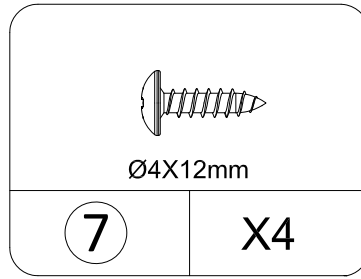
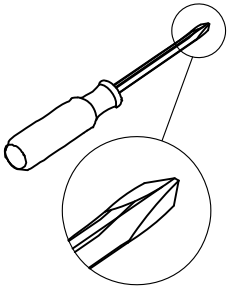
STEP18



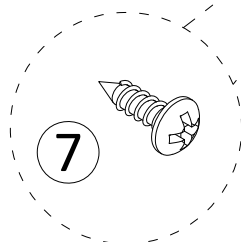
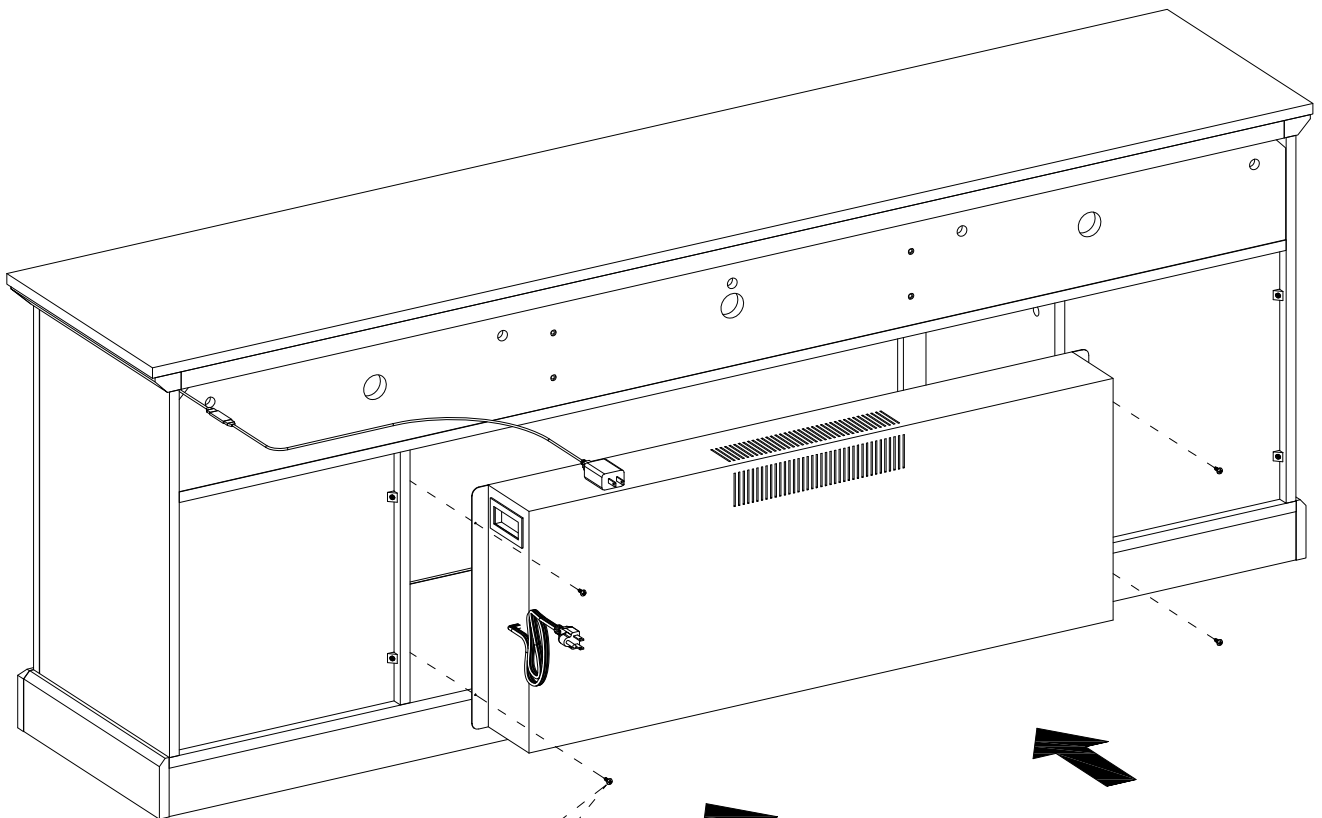
STEP19



STEP20



Before installing the fireplace, please read the installation manual of the fireplace.



STEP21

- . To Use the remote control function of the light strip, please read the light strip manual.
- . Please read the Instruction manual for the usage function of the fireplace

