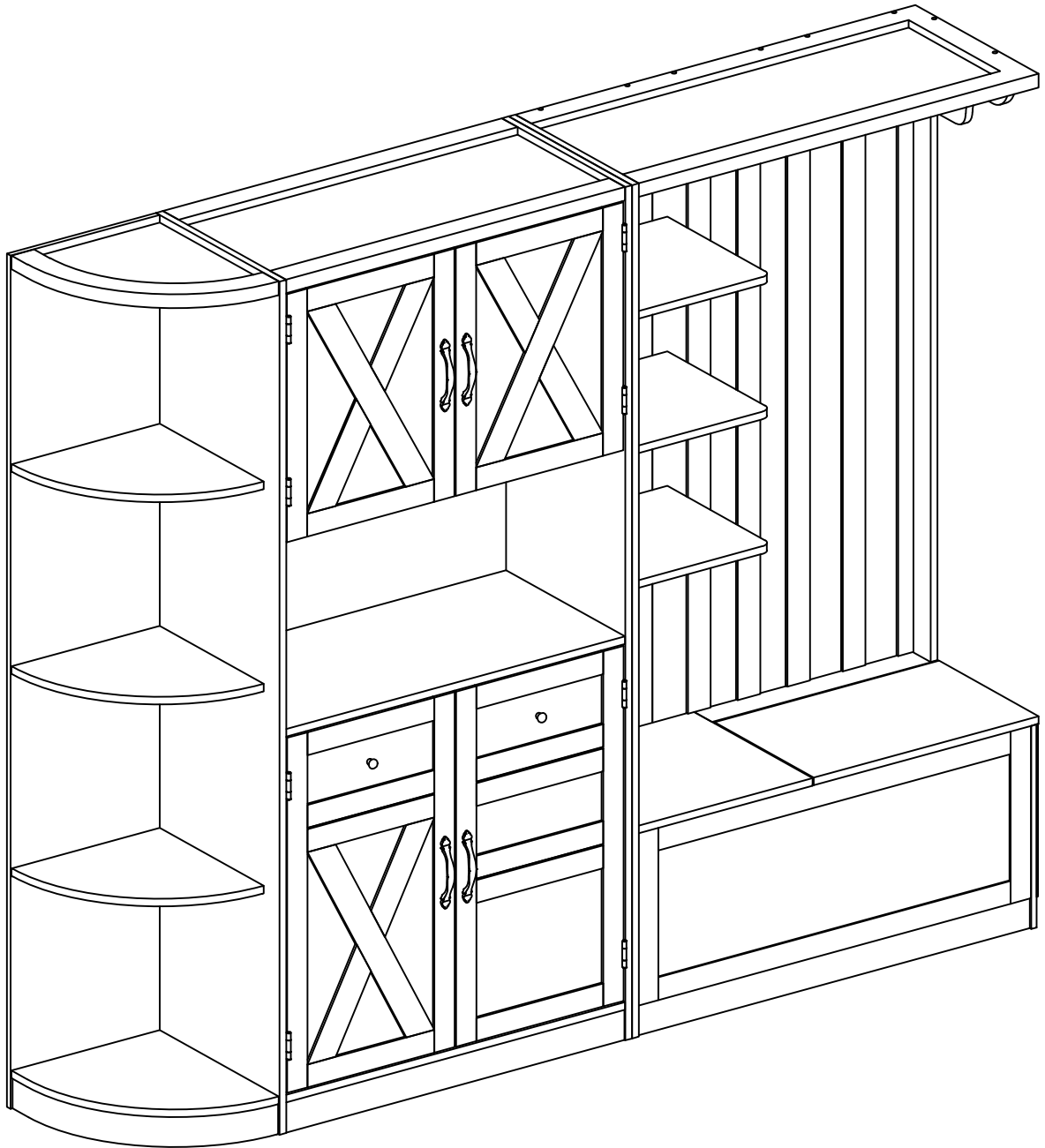
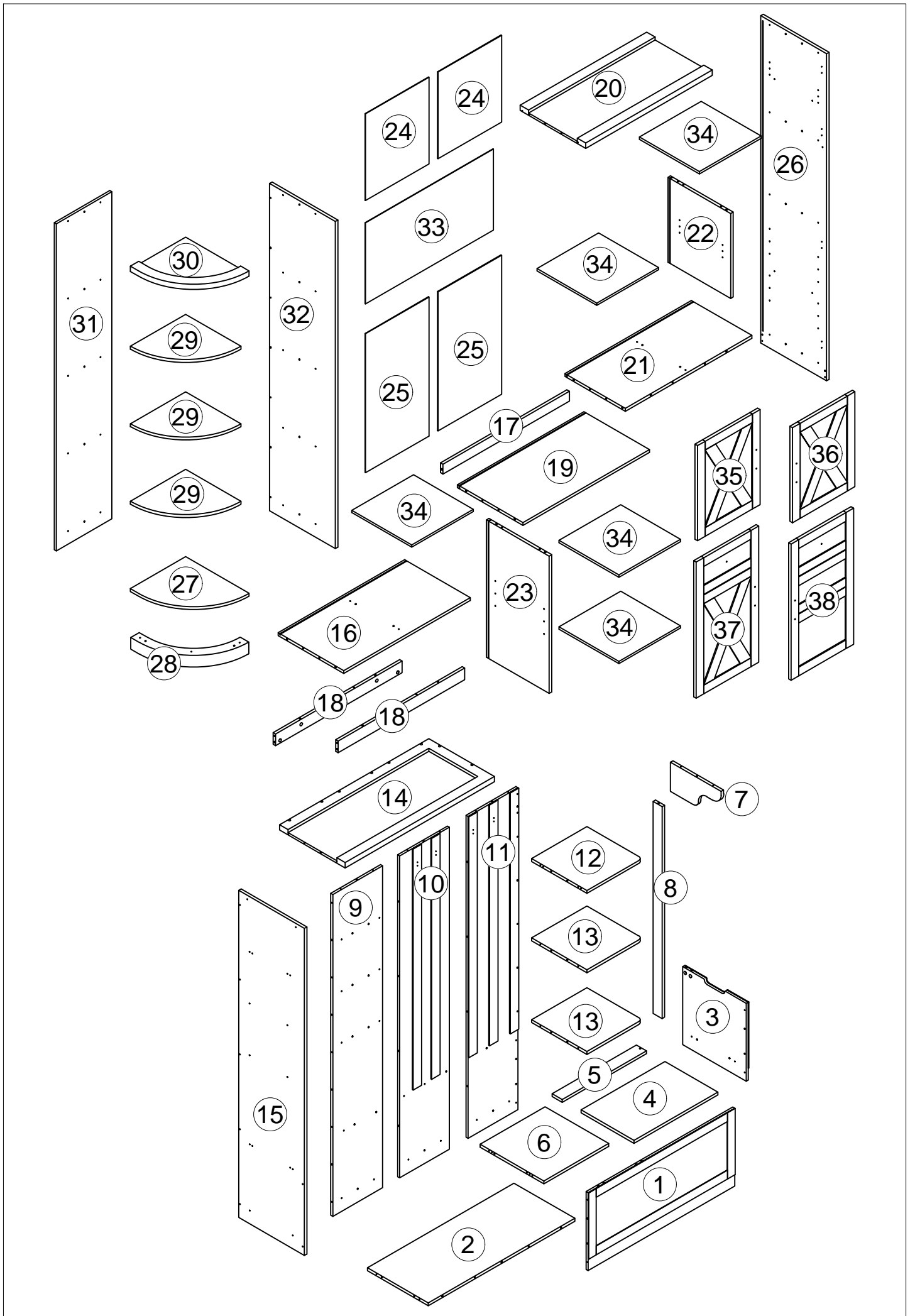
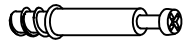


Assembly Instructions





×47



(A)

6*33mm

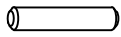
×47



(B)

∅15*10mm

×107



(C)

6*33mm

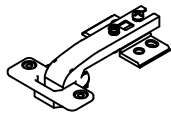
×24



(D)

∅4*14mm

×2



(E)

∅35mm

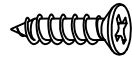
×1



(F)

80*50*2mm

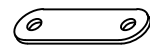
×28



(G)

∅3*12mm

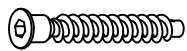
×10



(H)

45*12*1.5

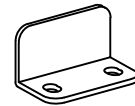
×77



(I)

∅5*38mm

×4



(J)

30*18*17*1.5mm

×3



(K)

∅4*35mm

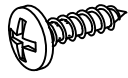
×20



(L)

6*33mm

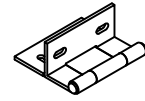
×32



(M)

3.5*14mm

×8



(N)

×8



(O)

M4*19mm

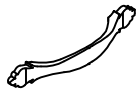
×2



(P)

M4*10mm

×4



(Q)

×2



(R)

×18



(S)

×18



(T)

∅3*17mm

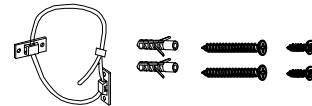
×4



(U)

6*33mm

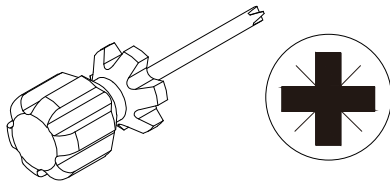
×2



(V)

∅4*14mm

×1



(W)

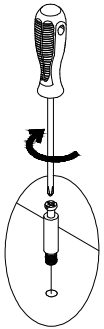
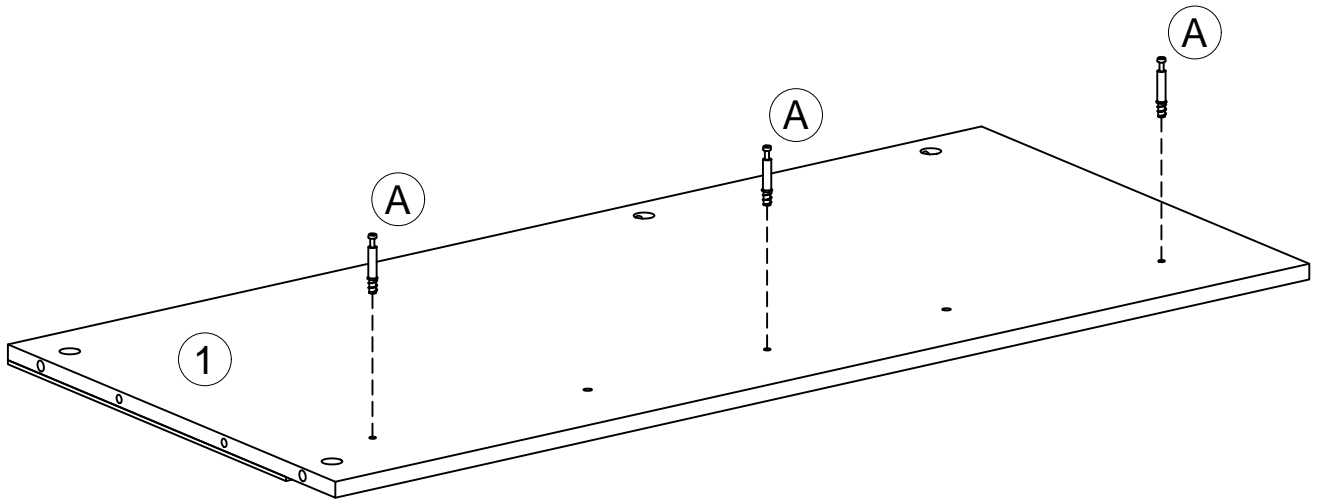
×1



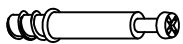
(X)

M3

1

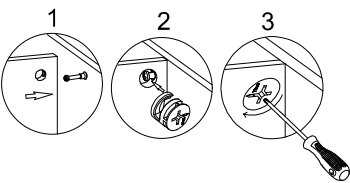
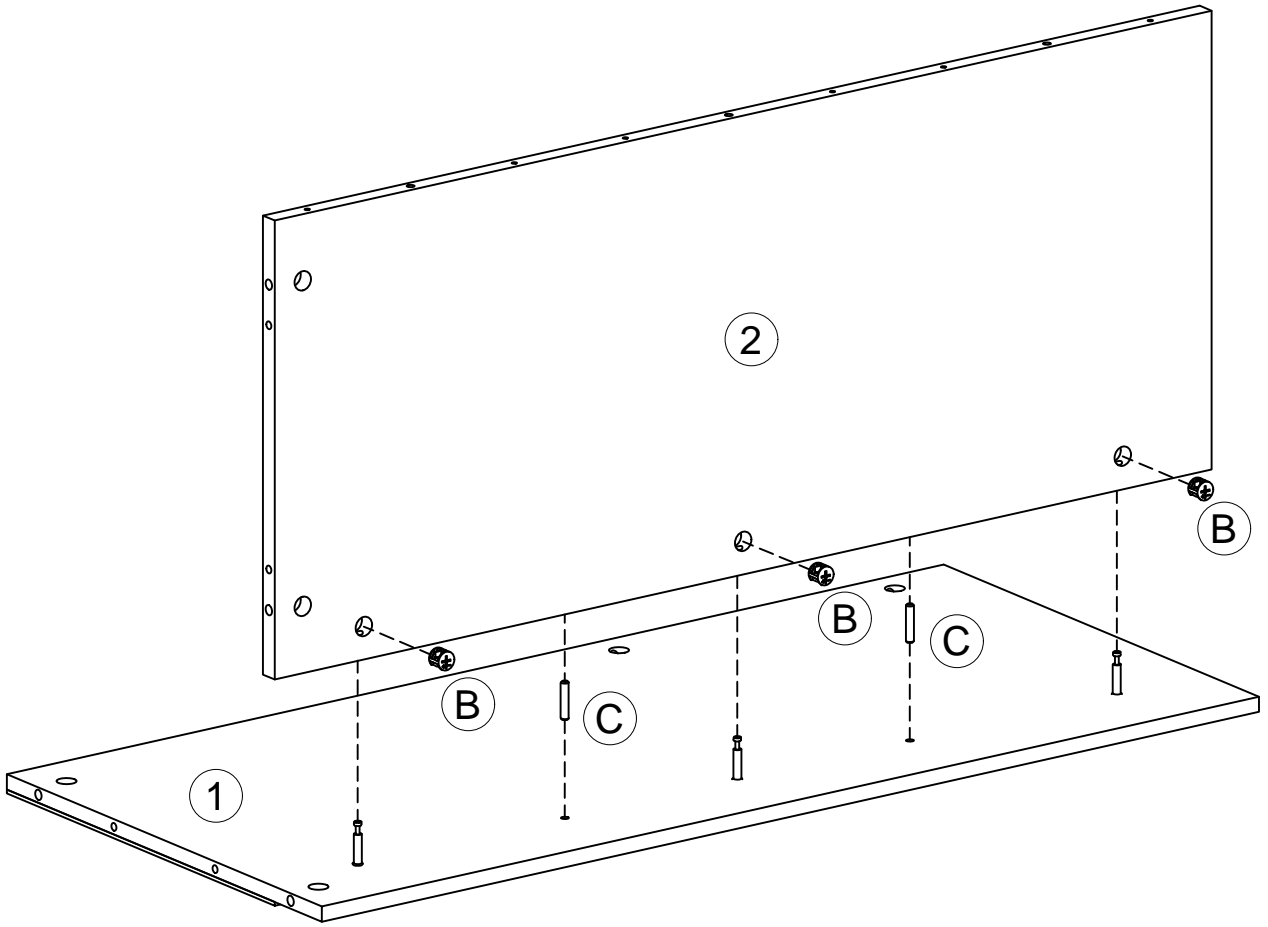


A



[×3]

2

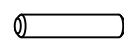


(B)



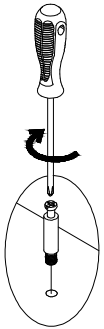
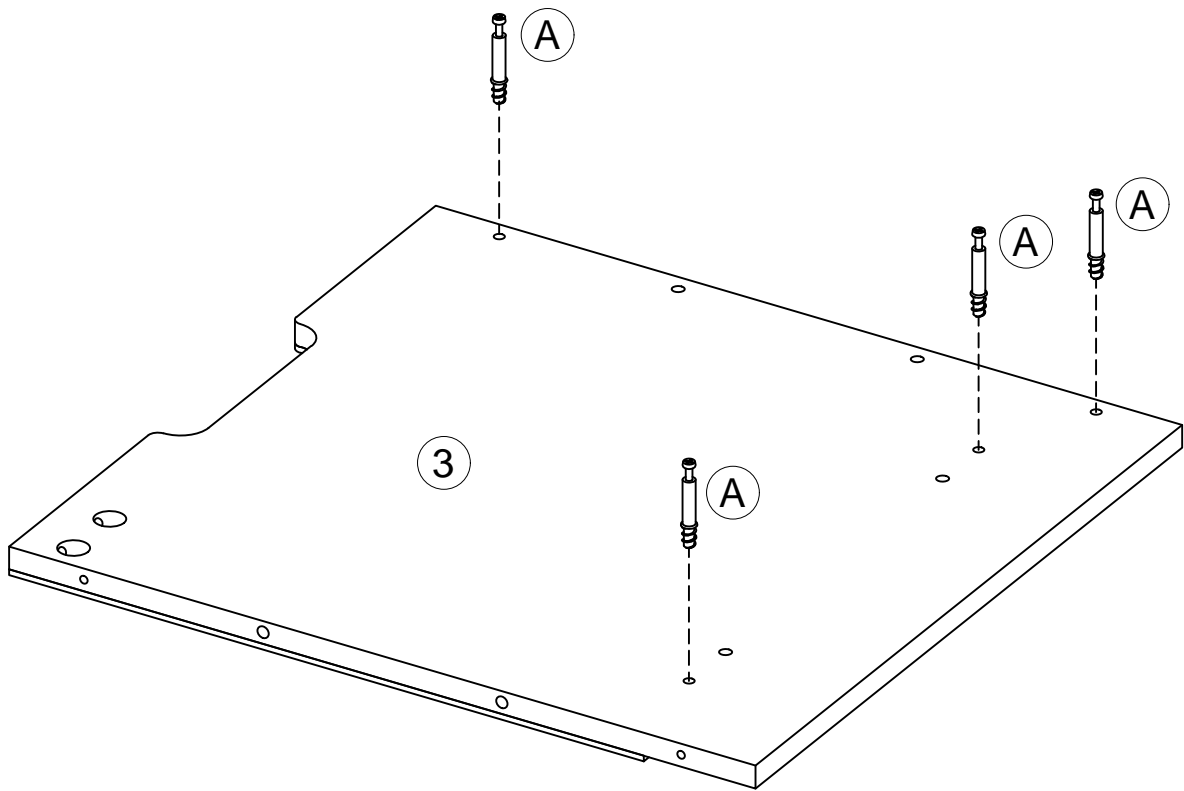
[× 3]

(C)

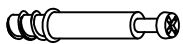


[× 2]

3

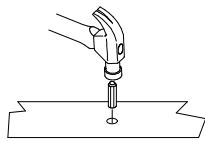
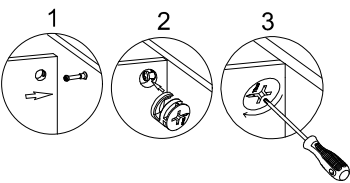
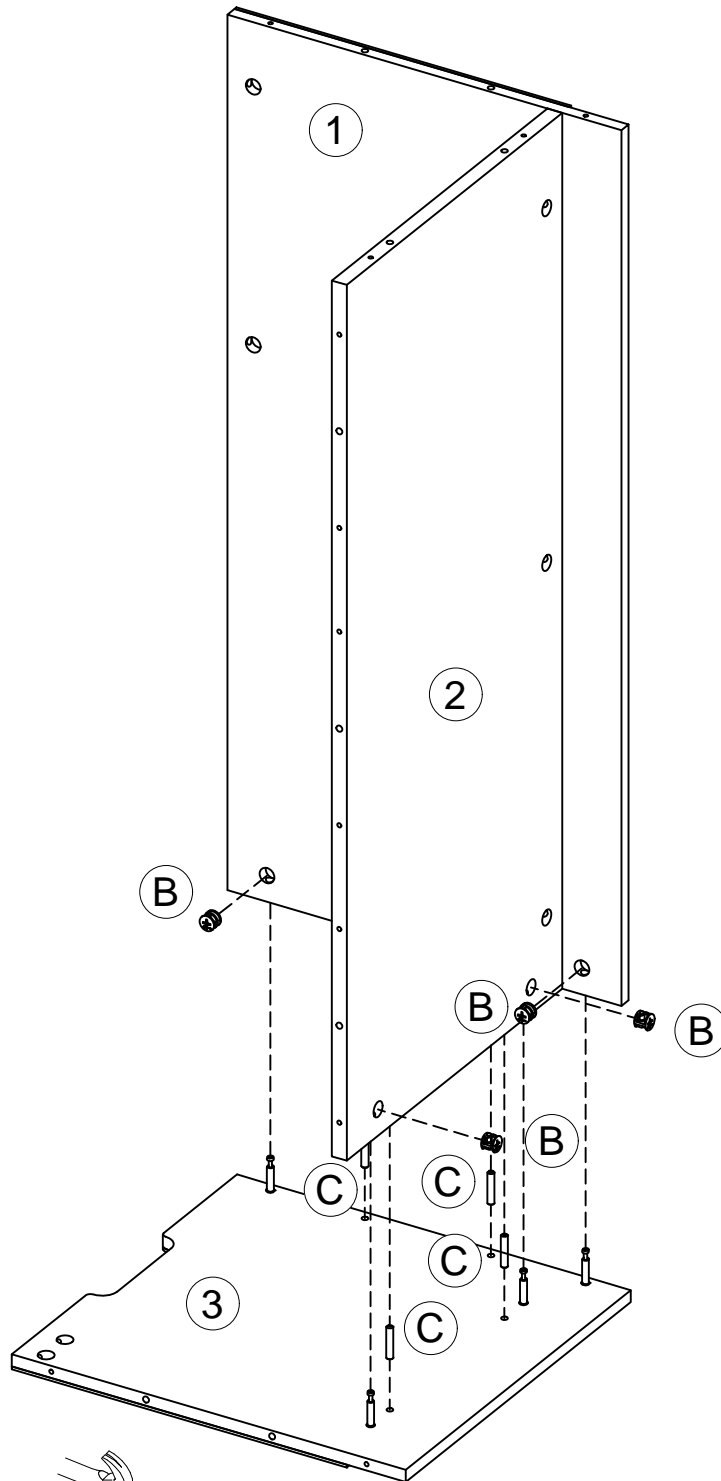


A



[×4]

4

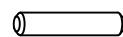


(B)



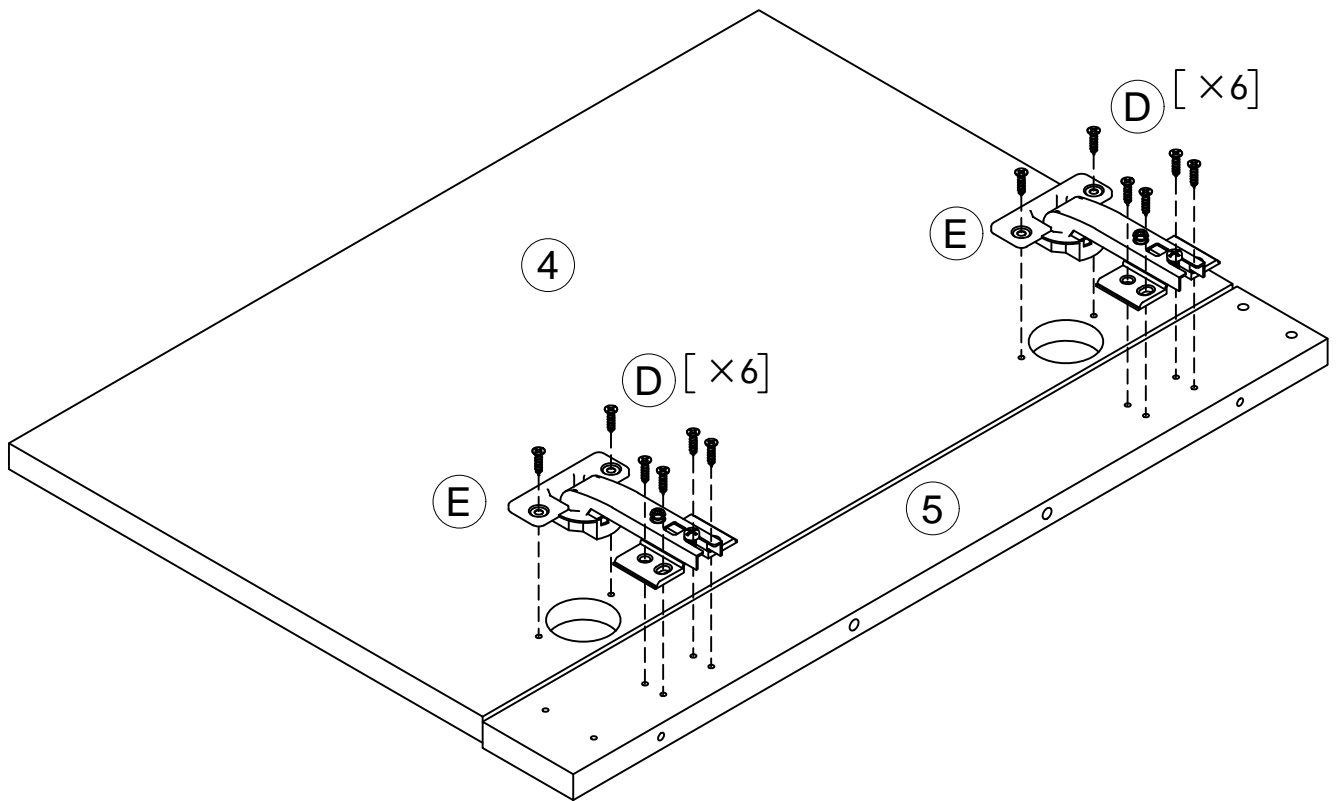
[×4]

(C)

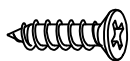


[×4]

5

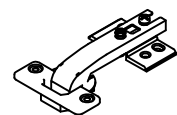


Ⓚ



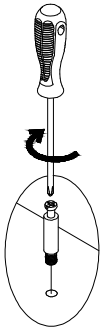
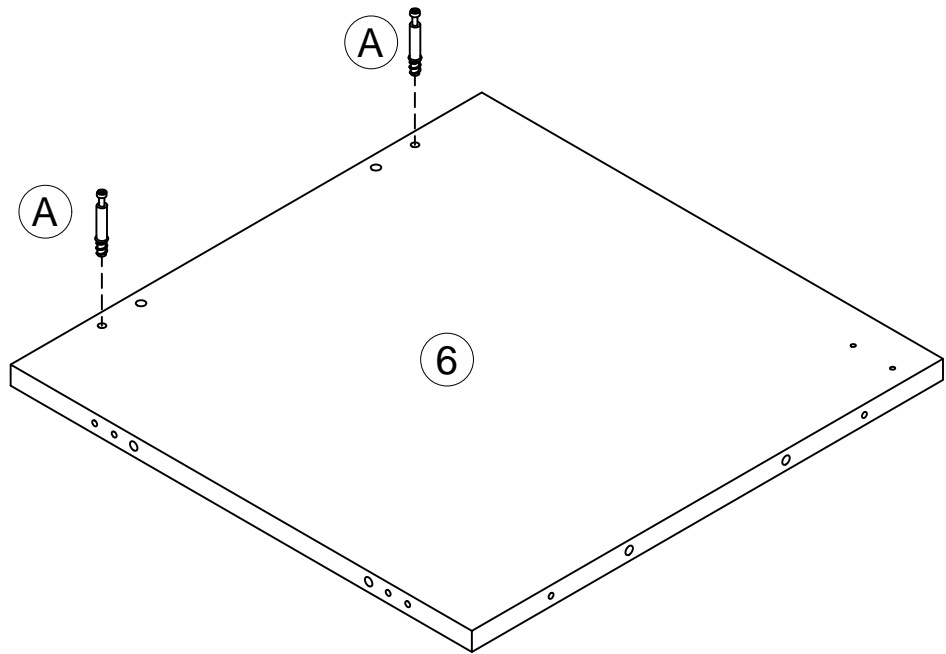
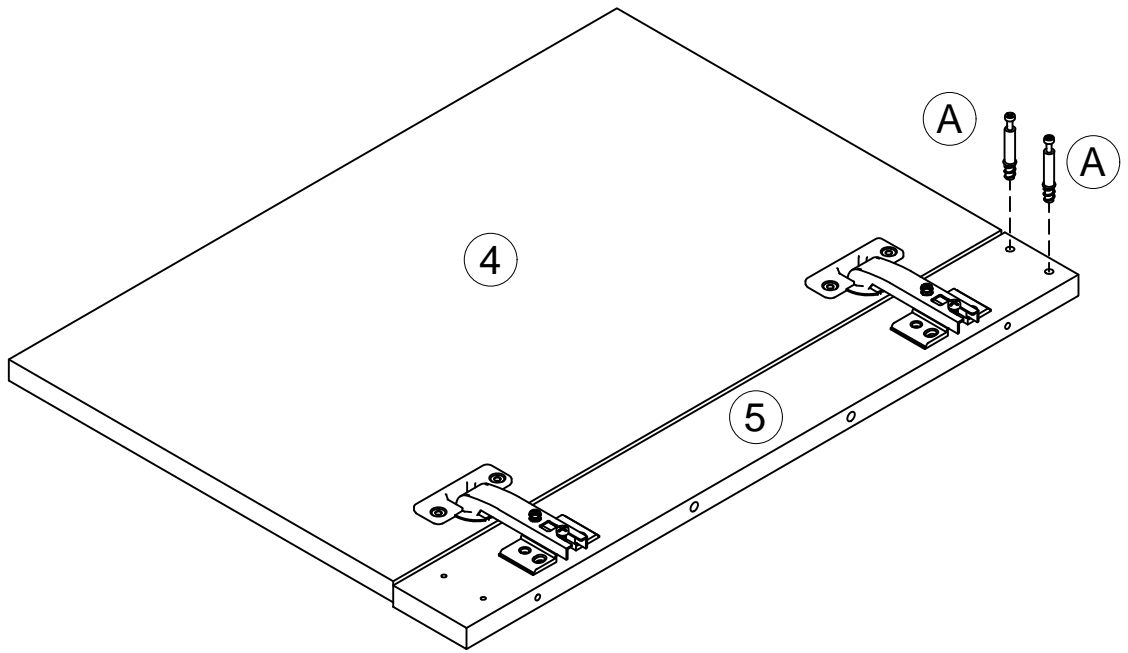
[× 12]

ⓔ

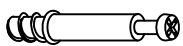


[× 2]

6

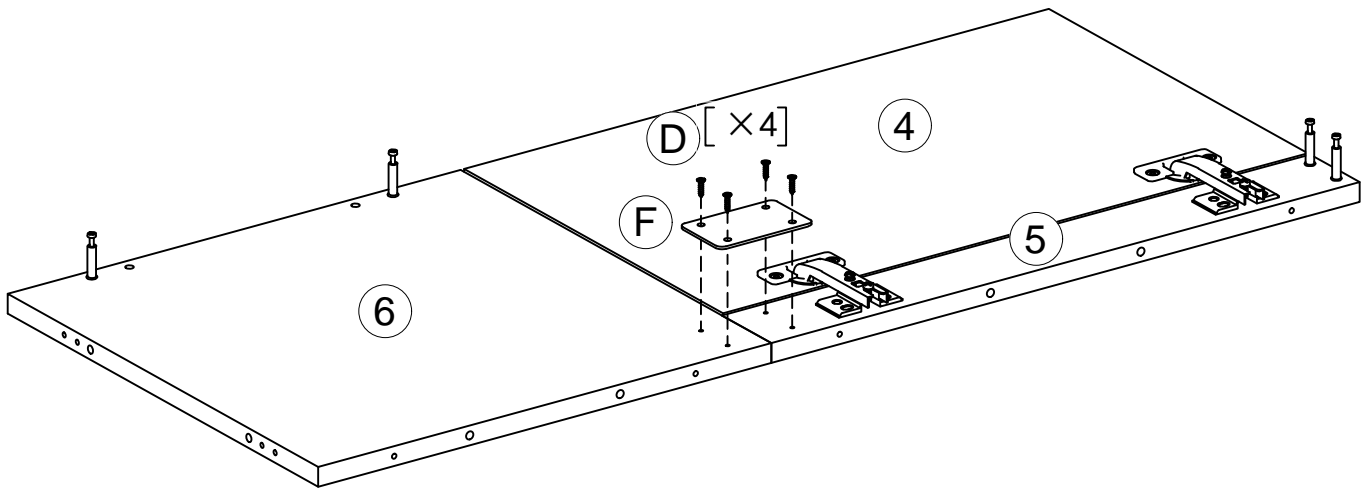


A



[× 4]

7



D

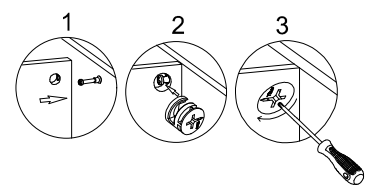
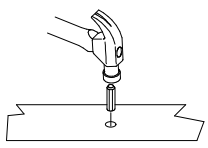
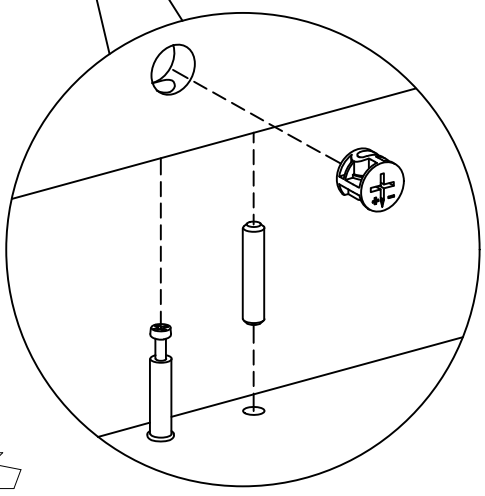
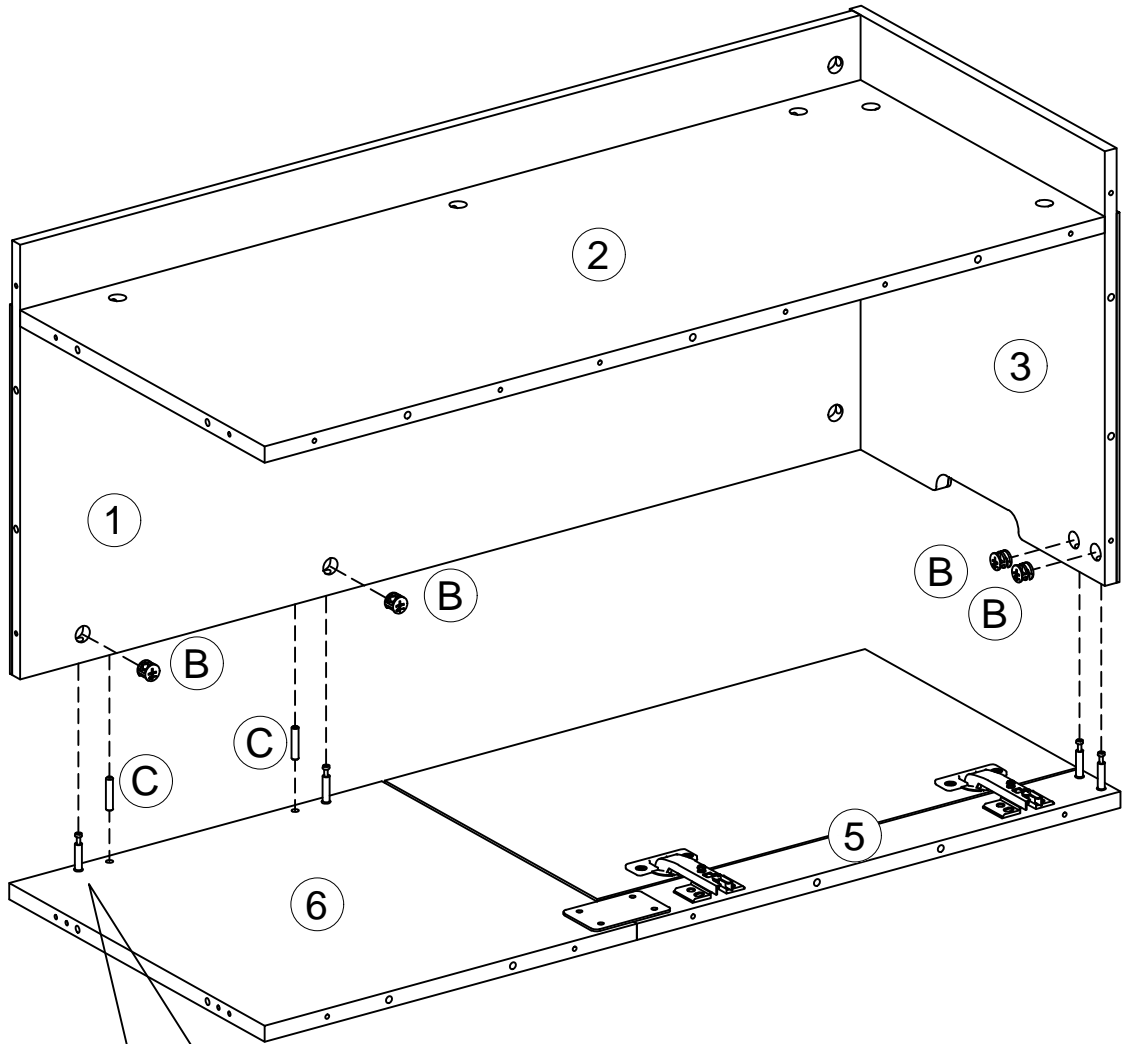


[×4]

F



[×1]

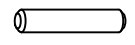


B



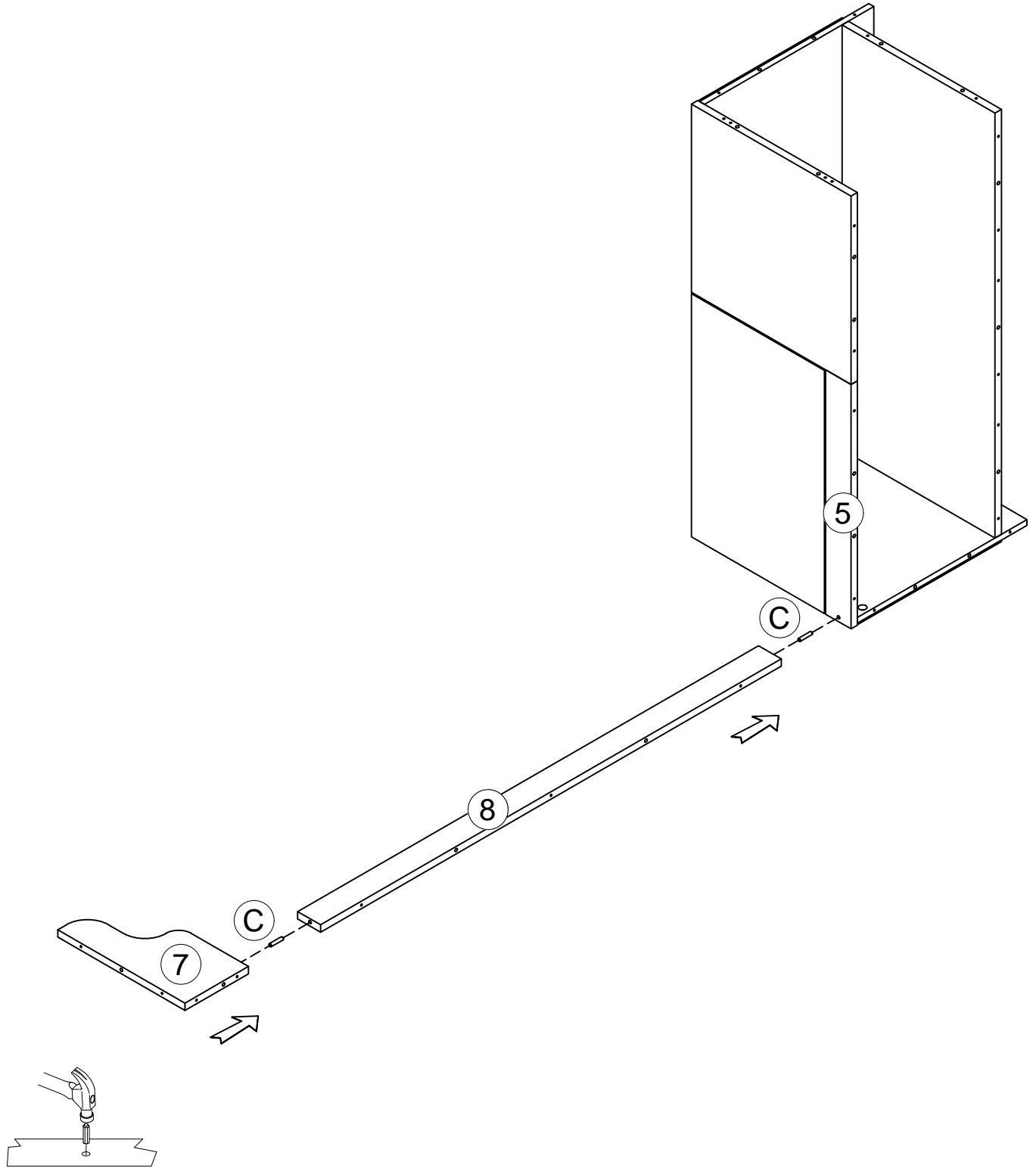
[×4]

C

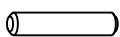


[×2]

9

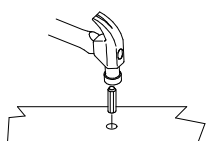
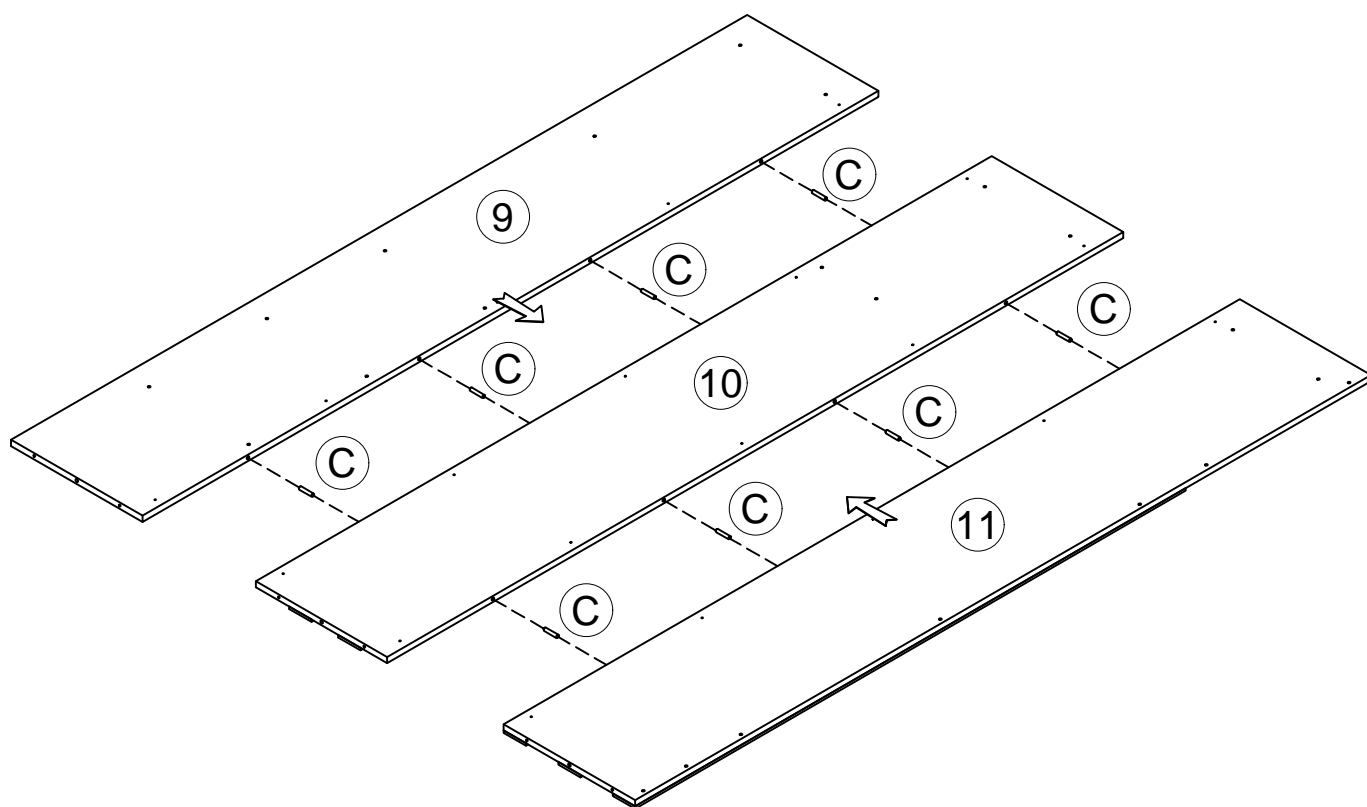


Ⓒ

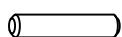


[× 2]

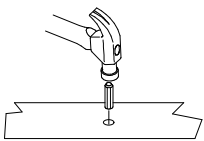
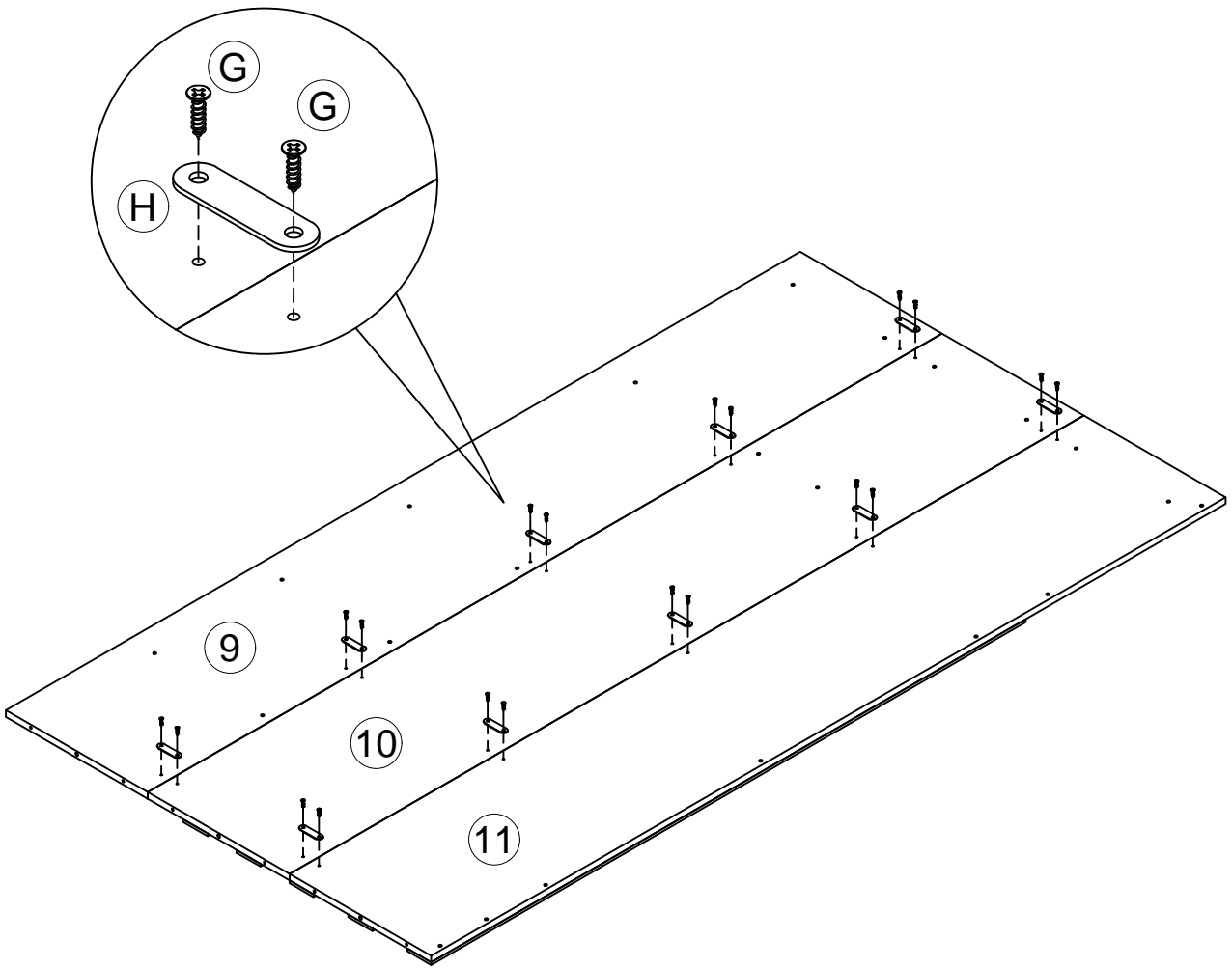
10



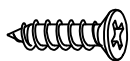
Ⓒ



[x8]

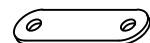


G



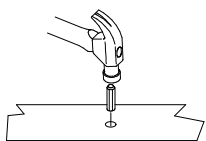
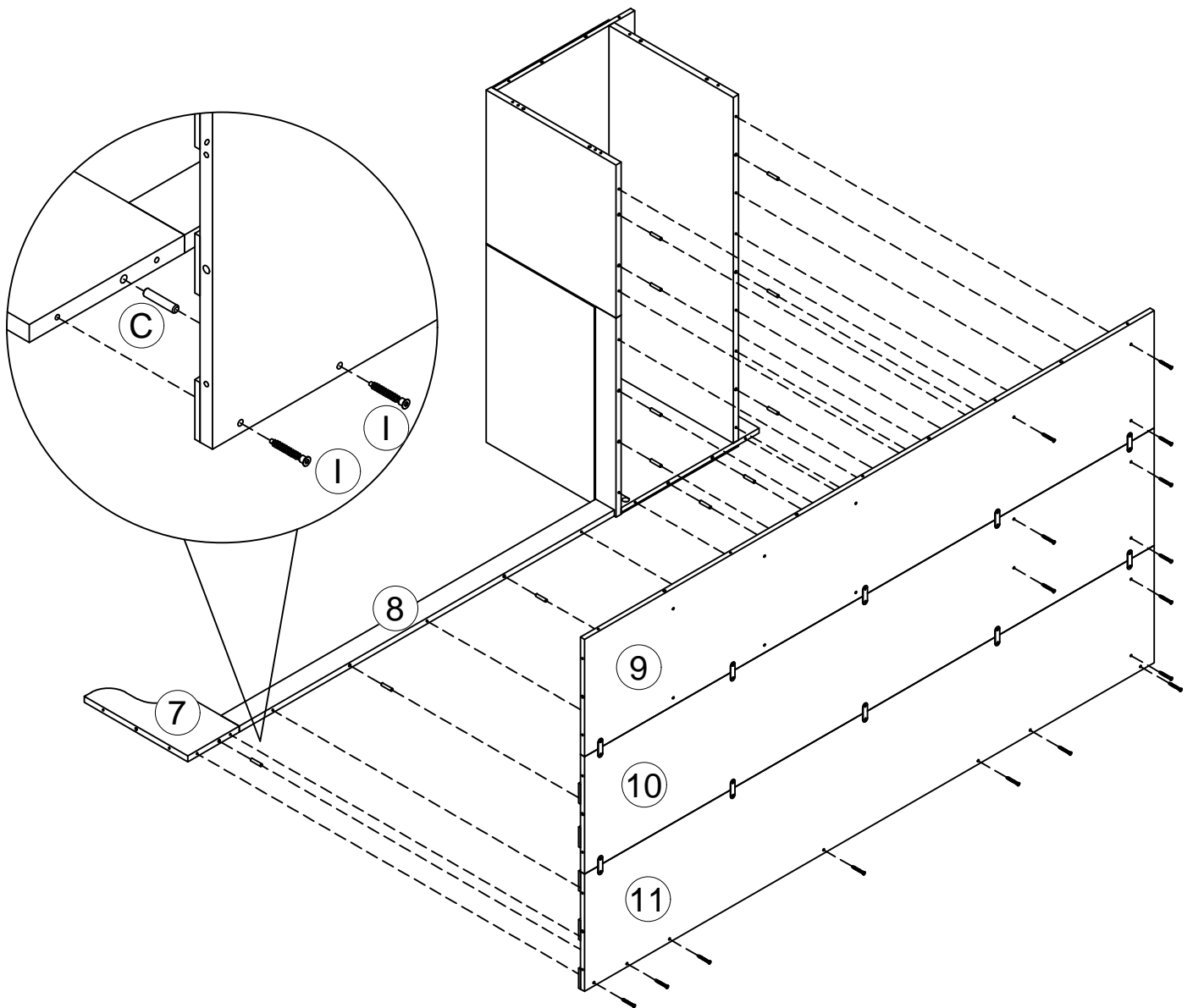
[× 20]

H

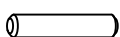


[× 10]

12



C



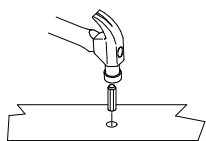
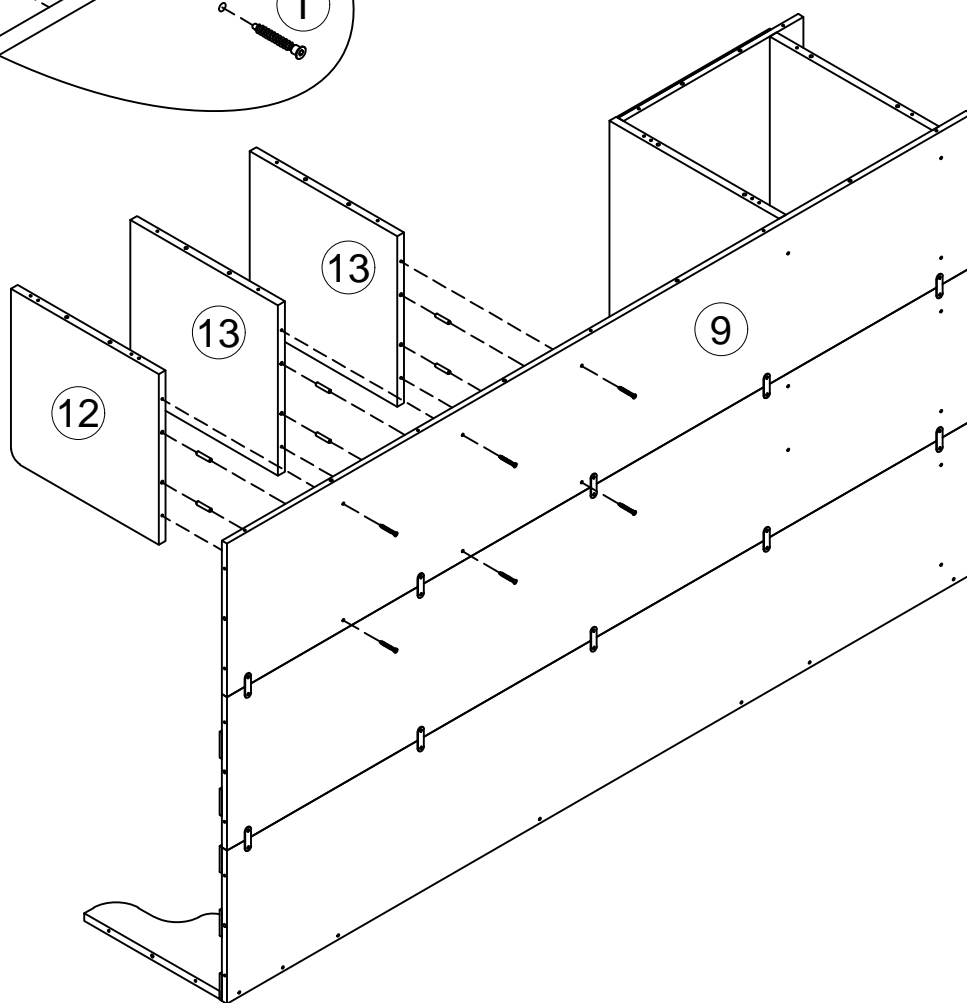
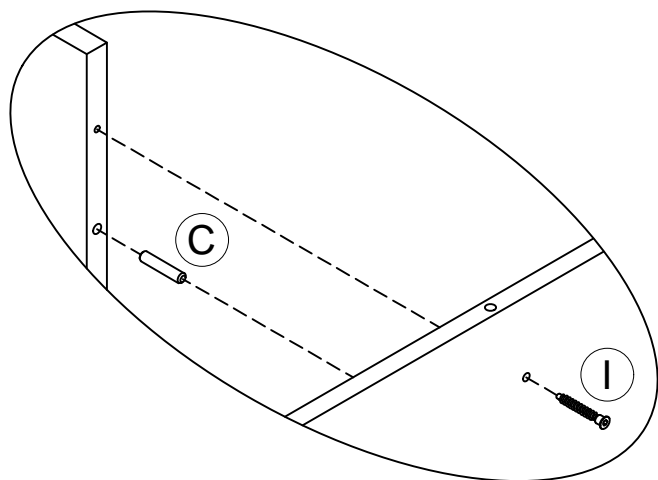
[×12]

I

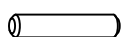


[×16]

13



(C)



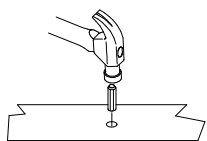
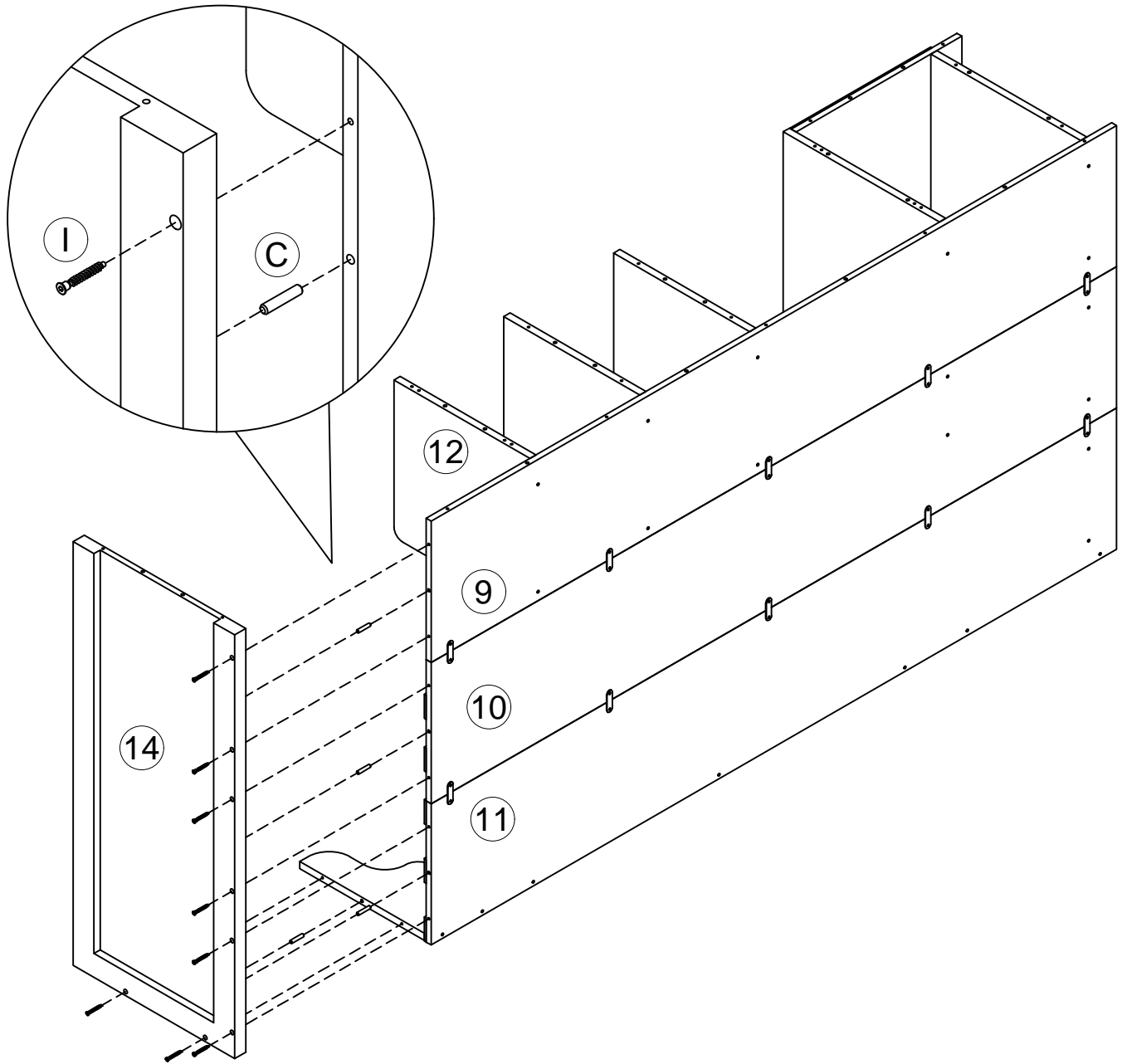
[×6]

(I)

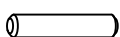


[×6]

14



C



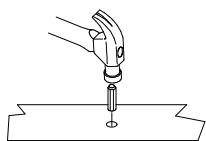
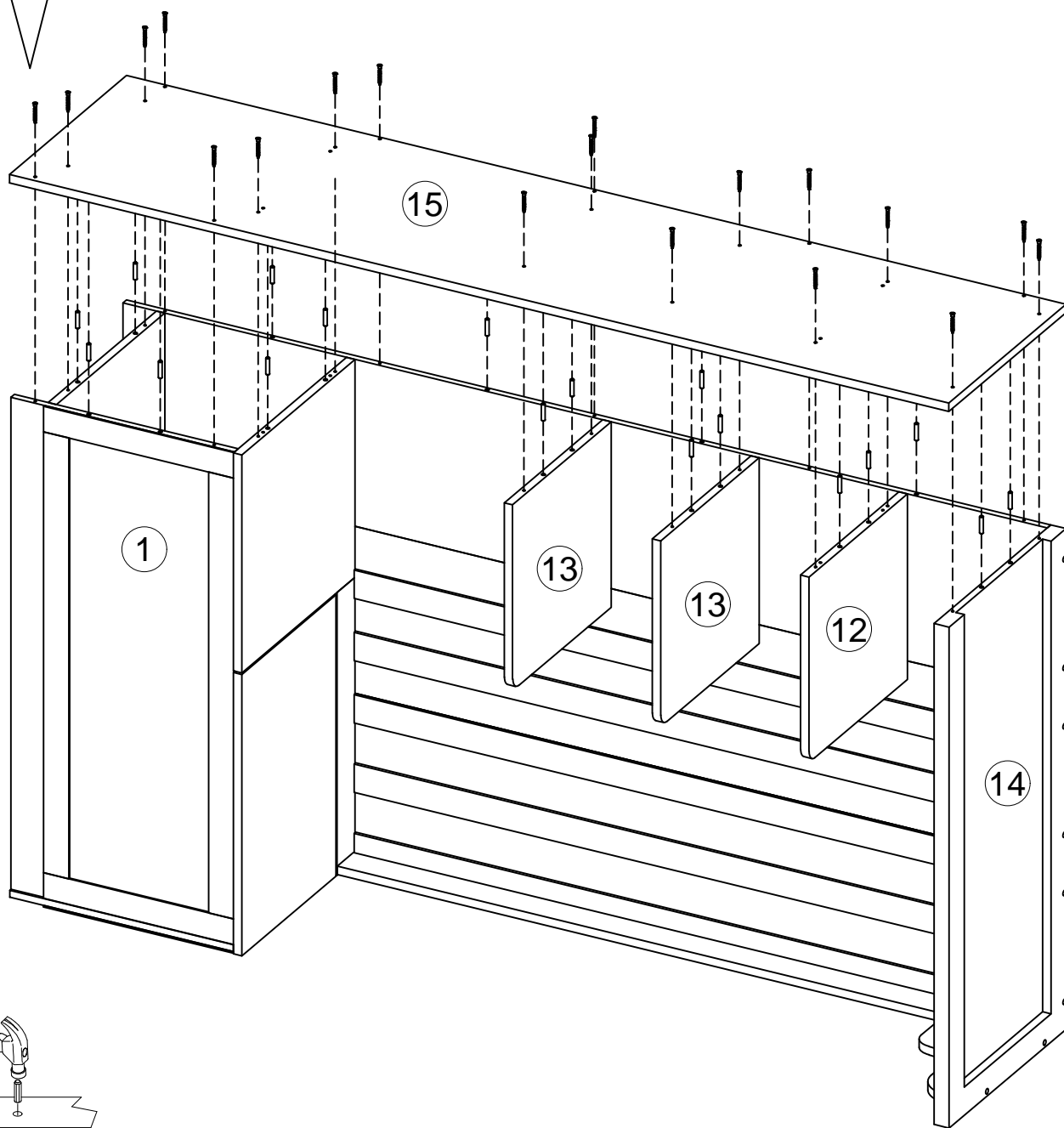
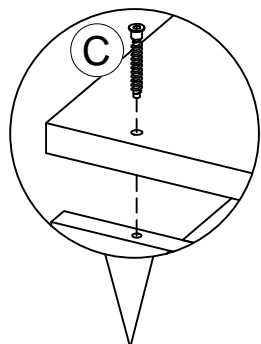
[×4]

I

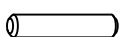


[×8]

15



C



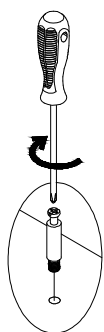
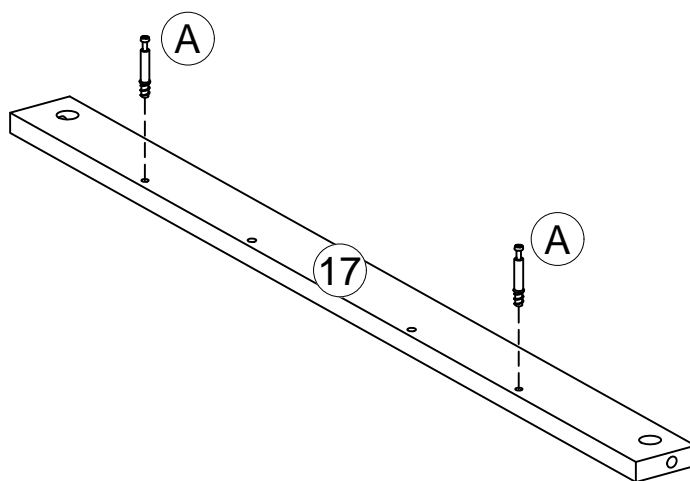
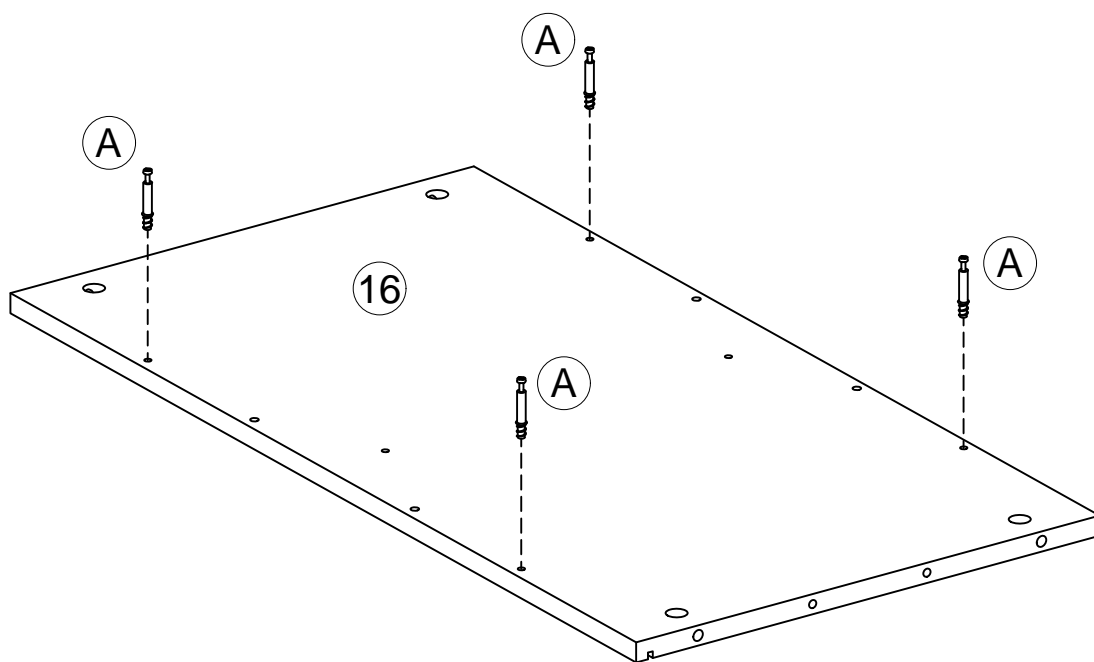
[×18]

I

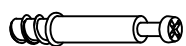


[×19]

16

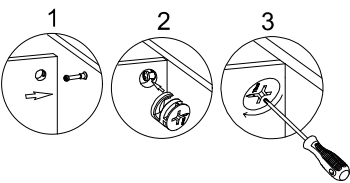
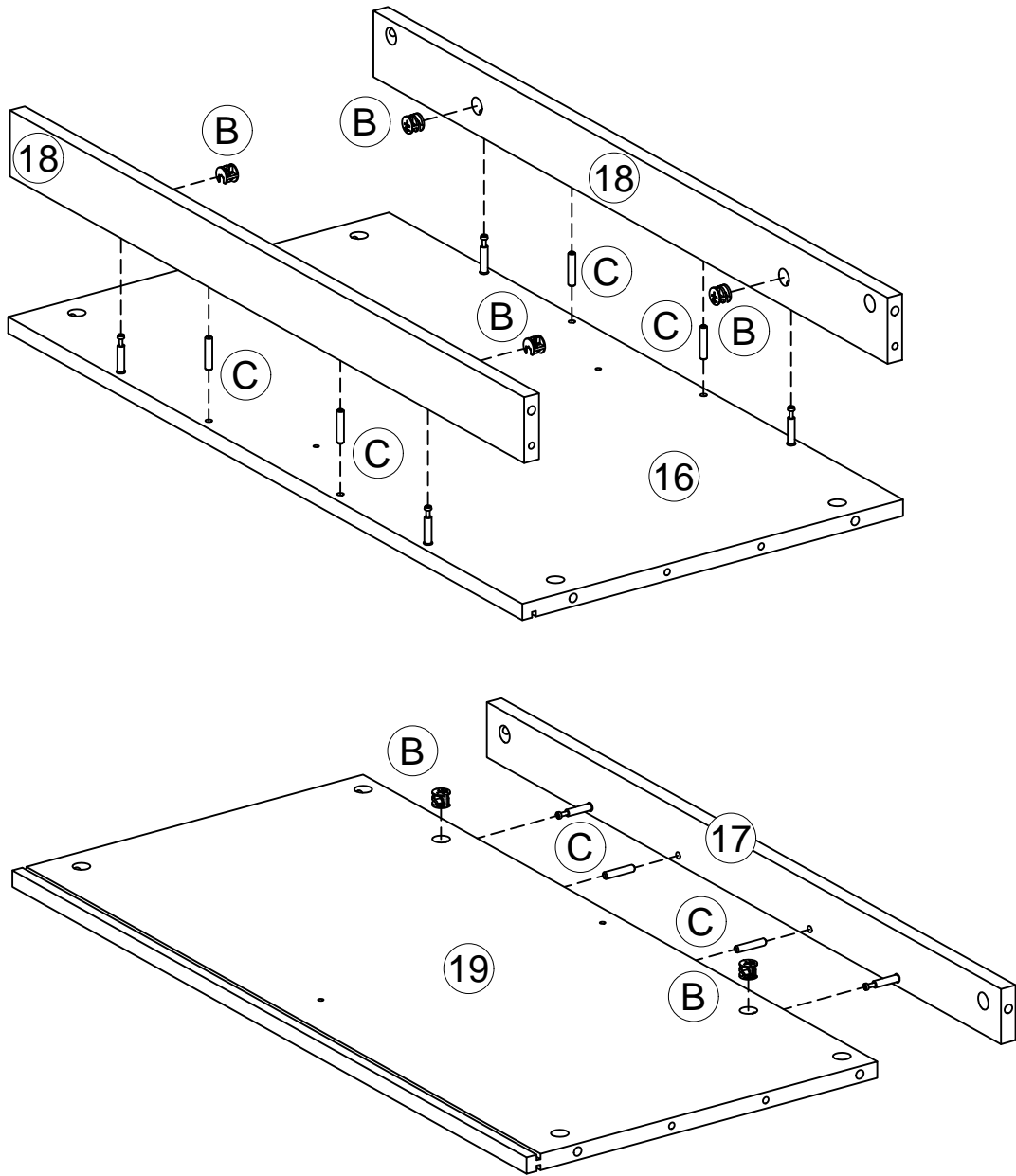


A



[×6]

17

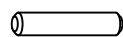


(B)

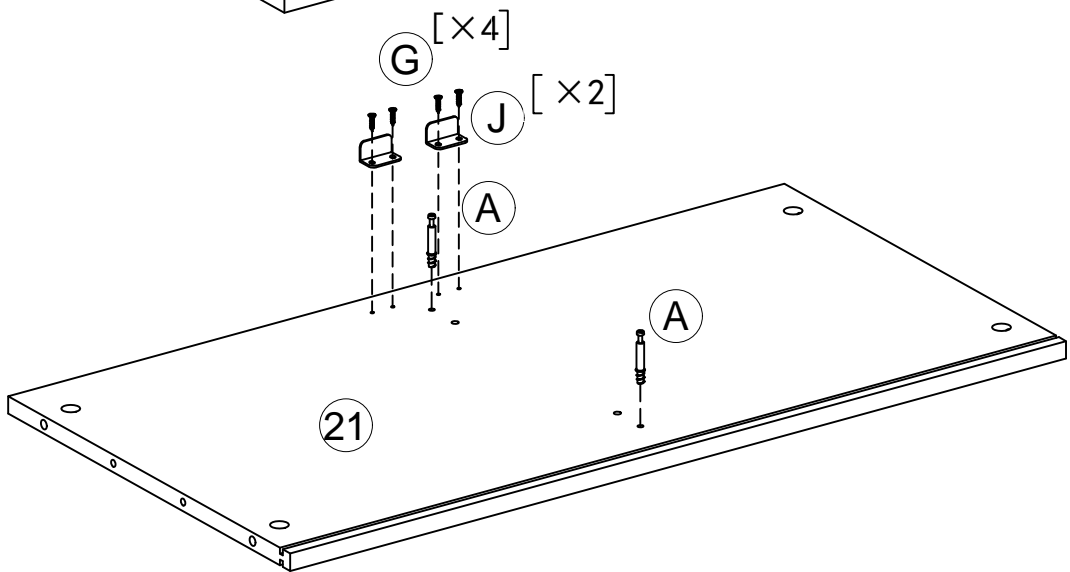
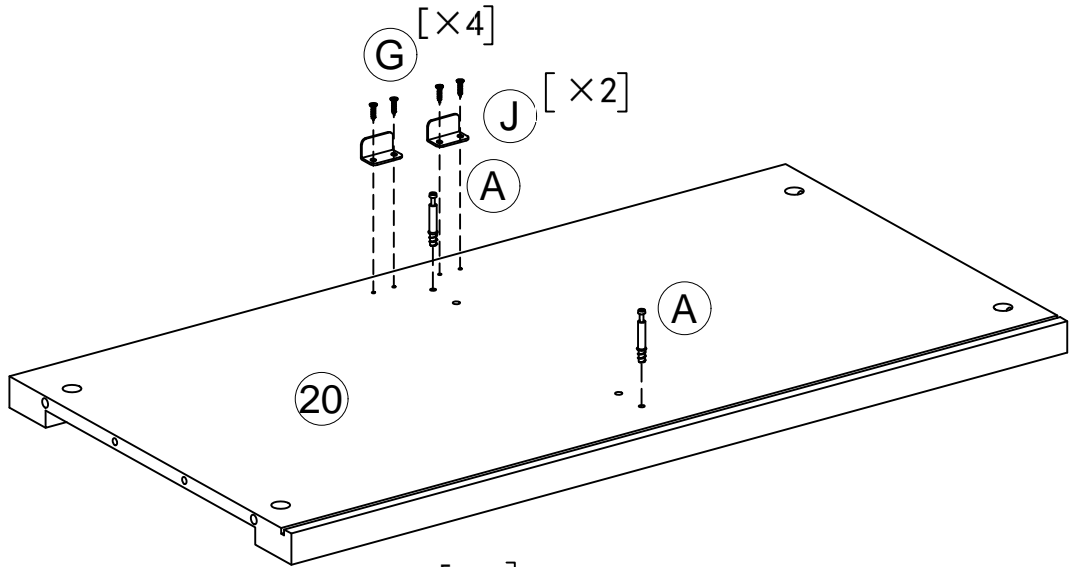


[×6]

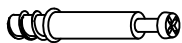
(C)



[×6]



(A)



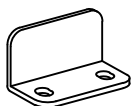
[×4]

(G)

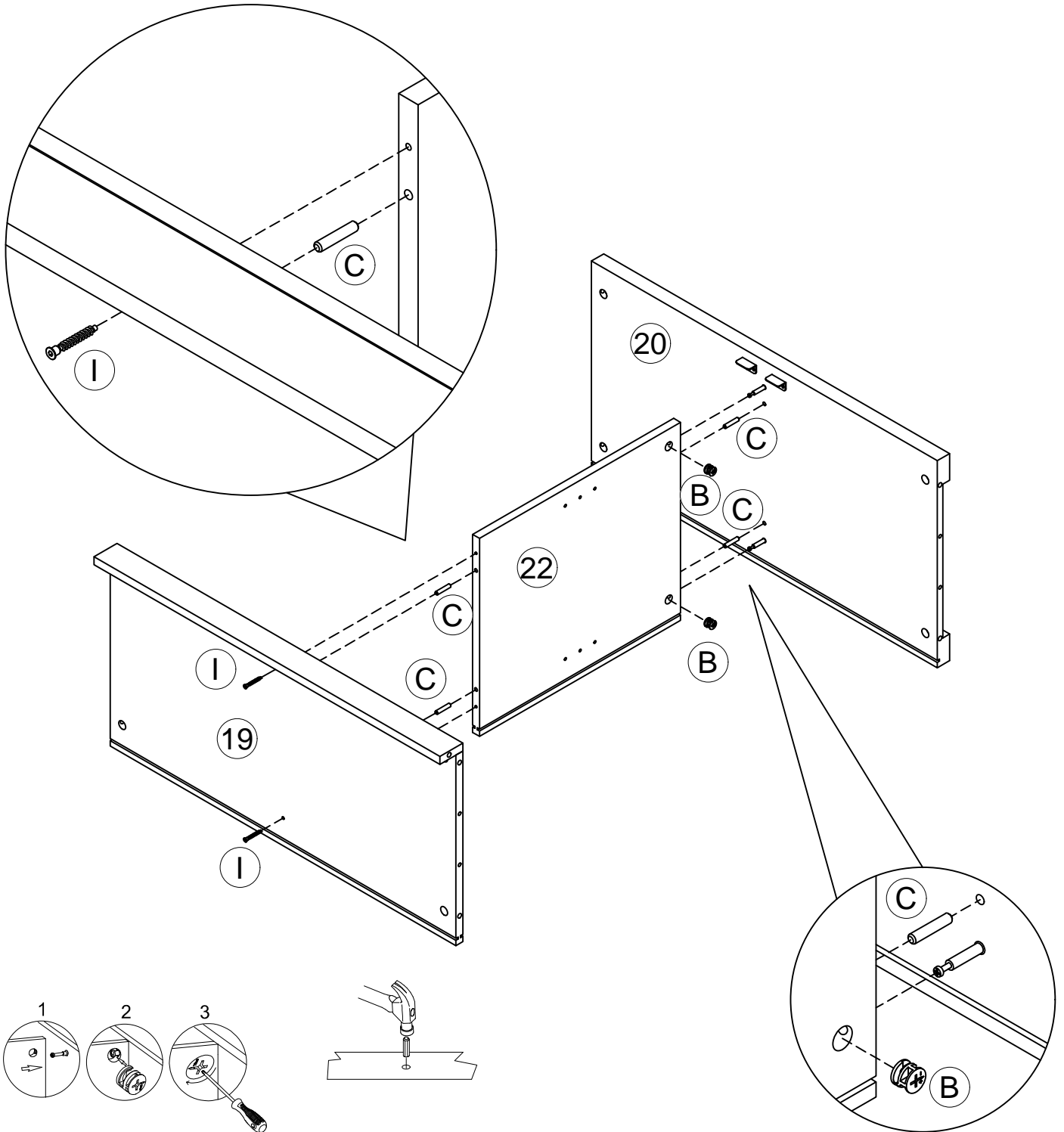


[×8]

(J)



[×4]

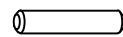


B



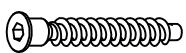
[×2]

C

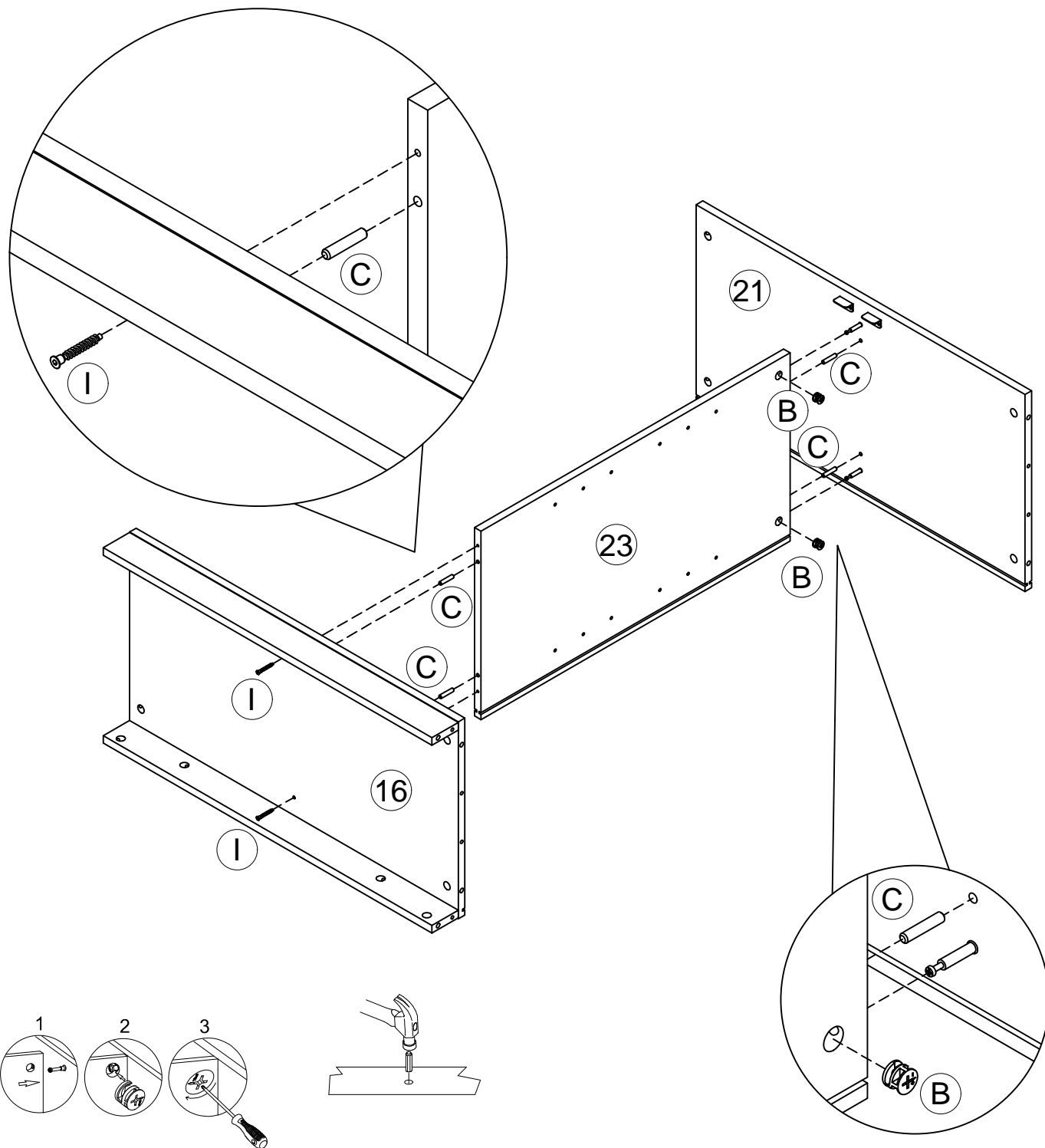


[×4]

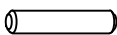
I



[×2]

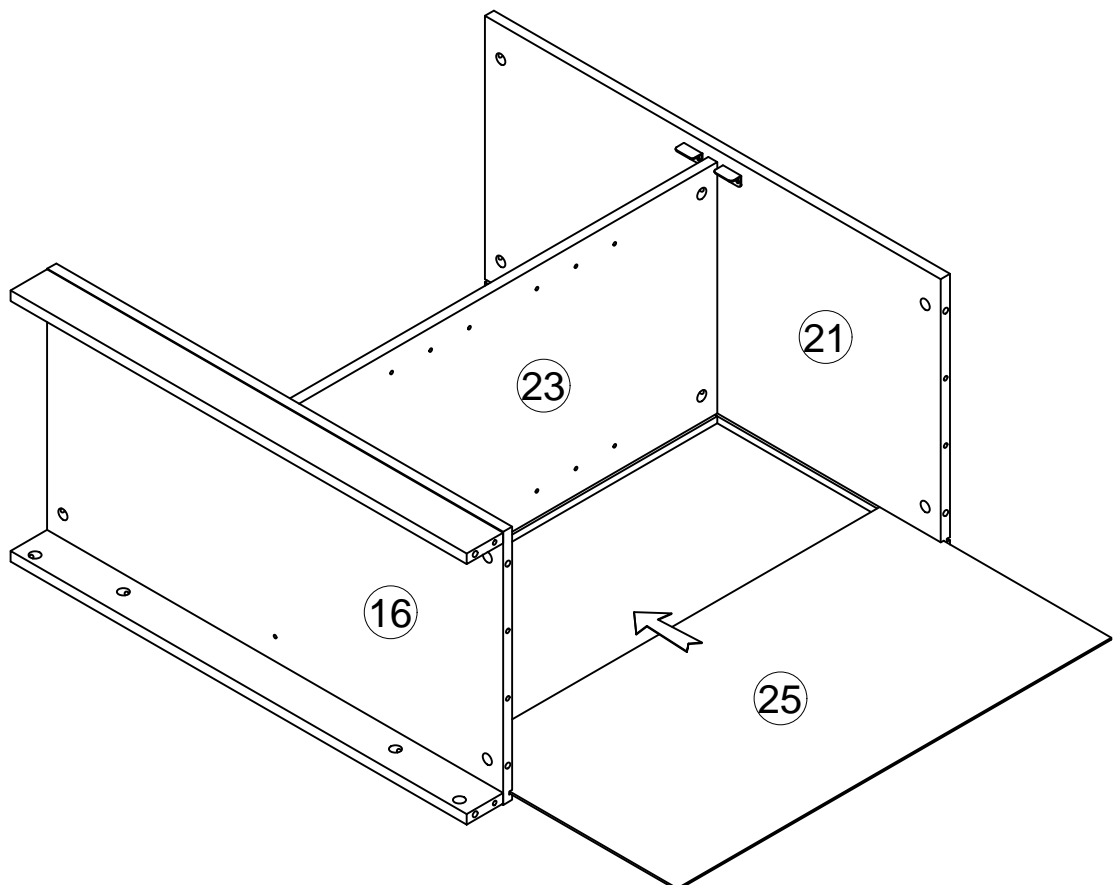
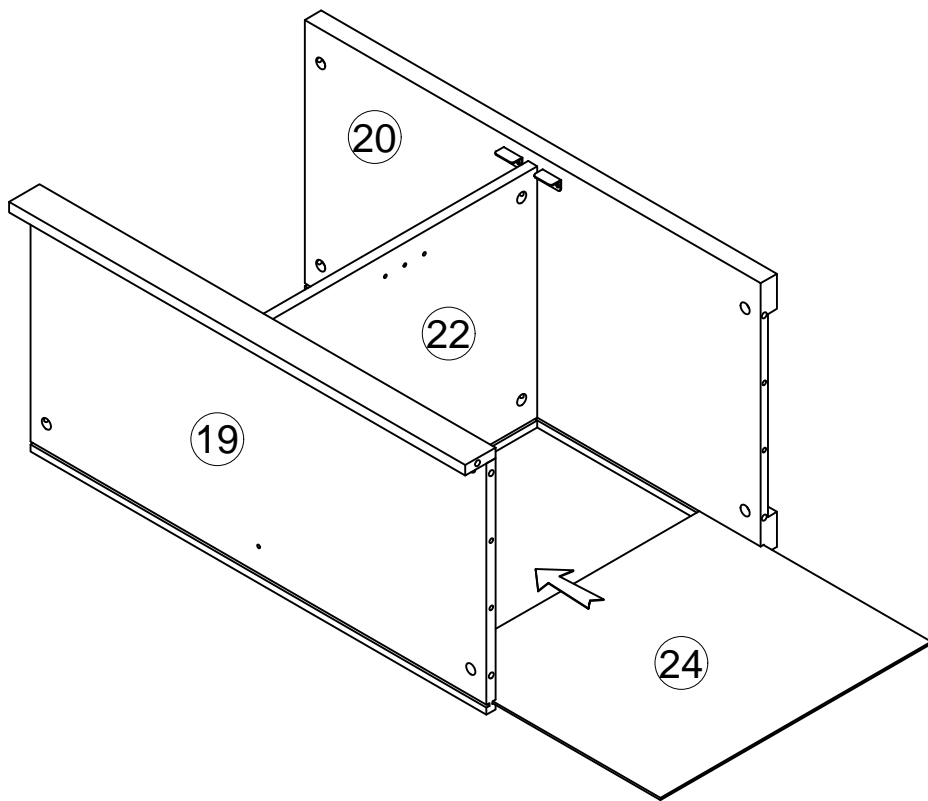


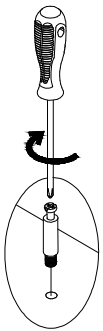
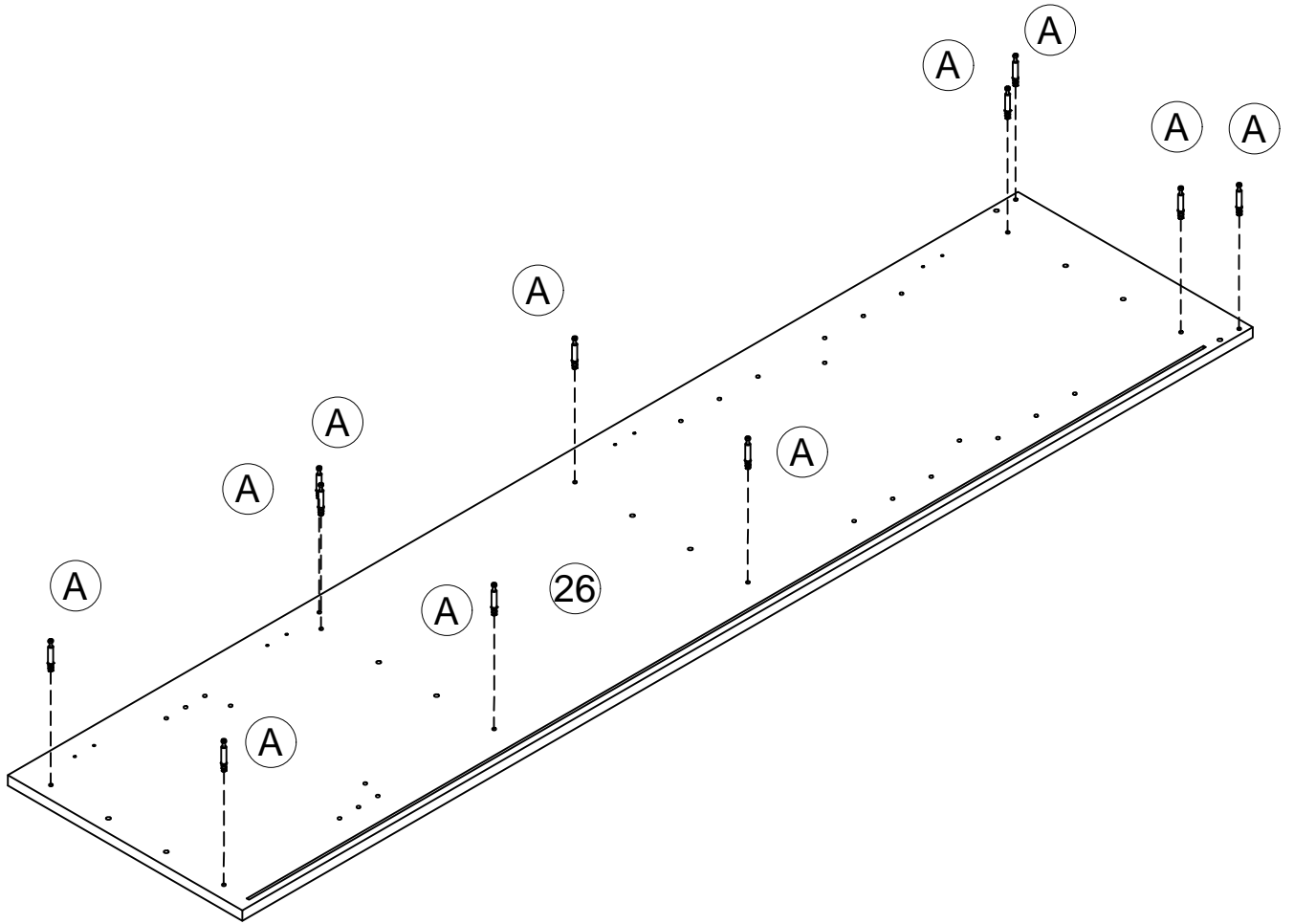
(B)  [x2]

(C)  [x4]

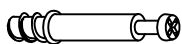
(I)  [x2]

21



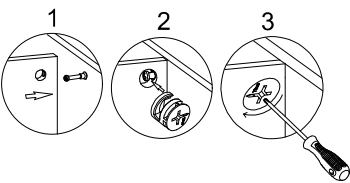
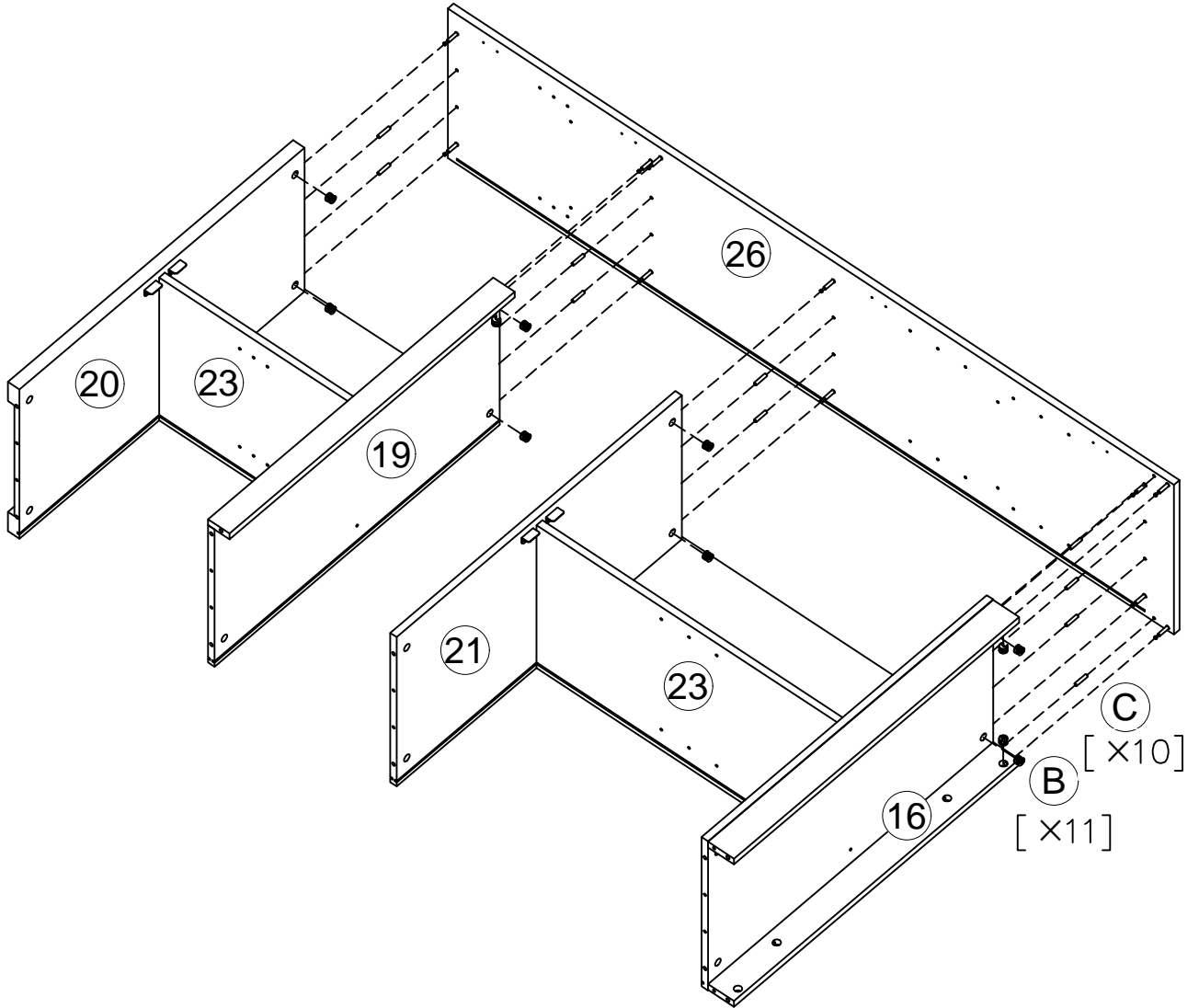


A



[×11]

23

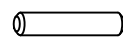


(B)

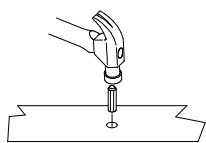
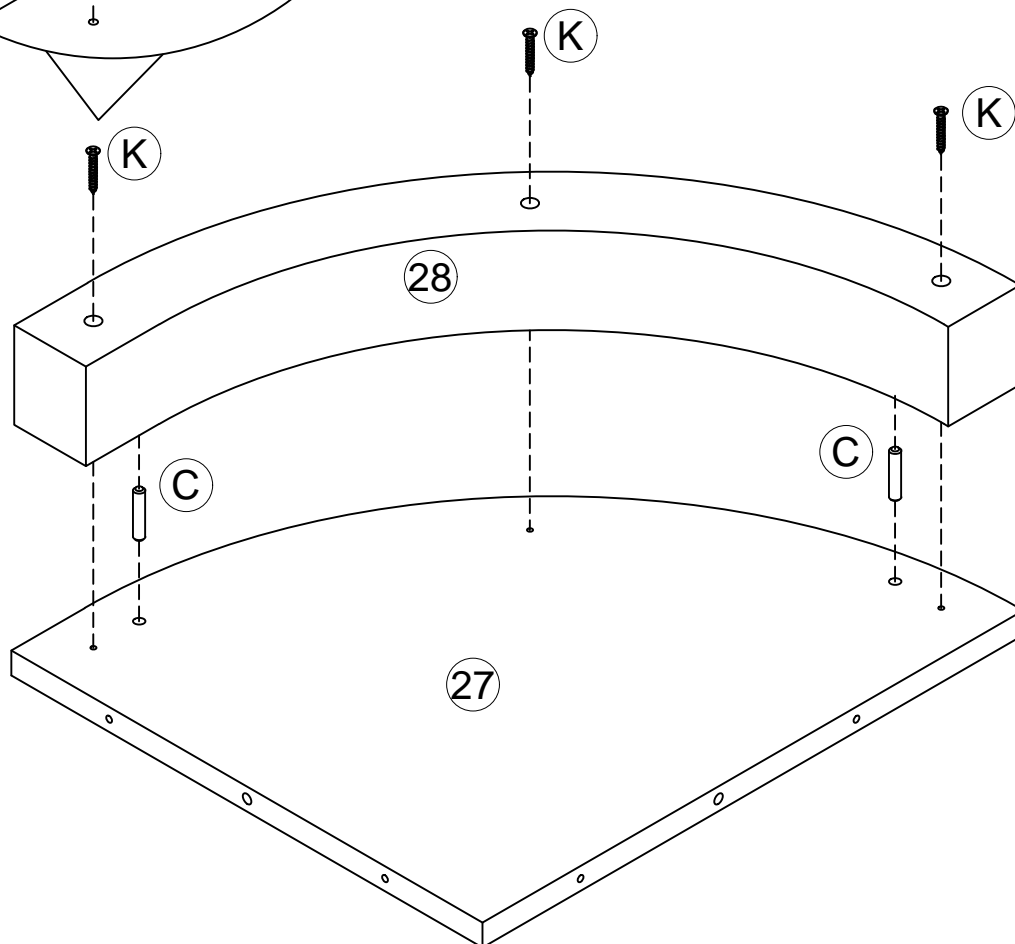
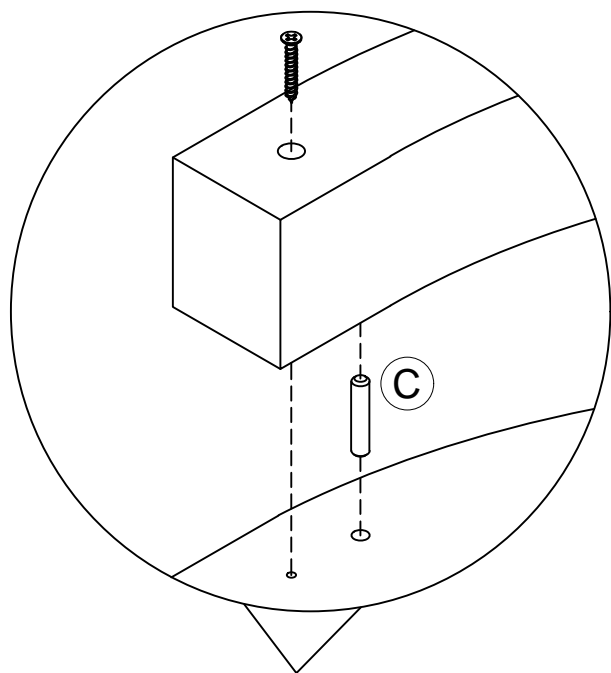


[x11]

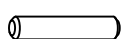
(C)



[x10]



Ⓒ

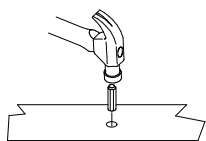
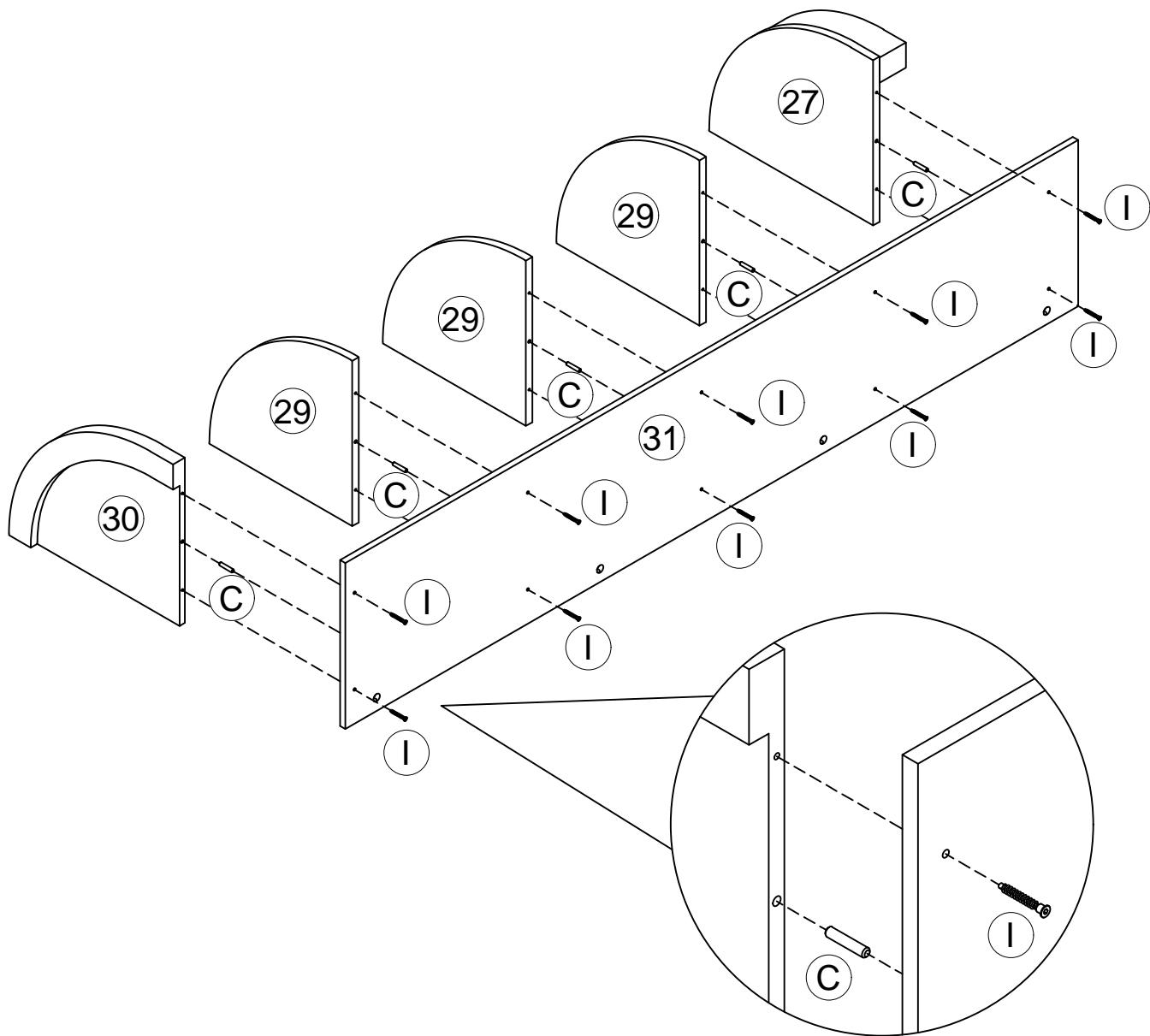


[×2]

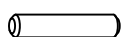
Ⓐ



[×3]



(C)

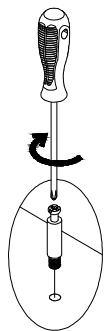
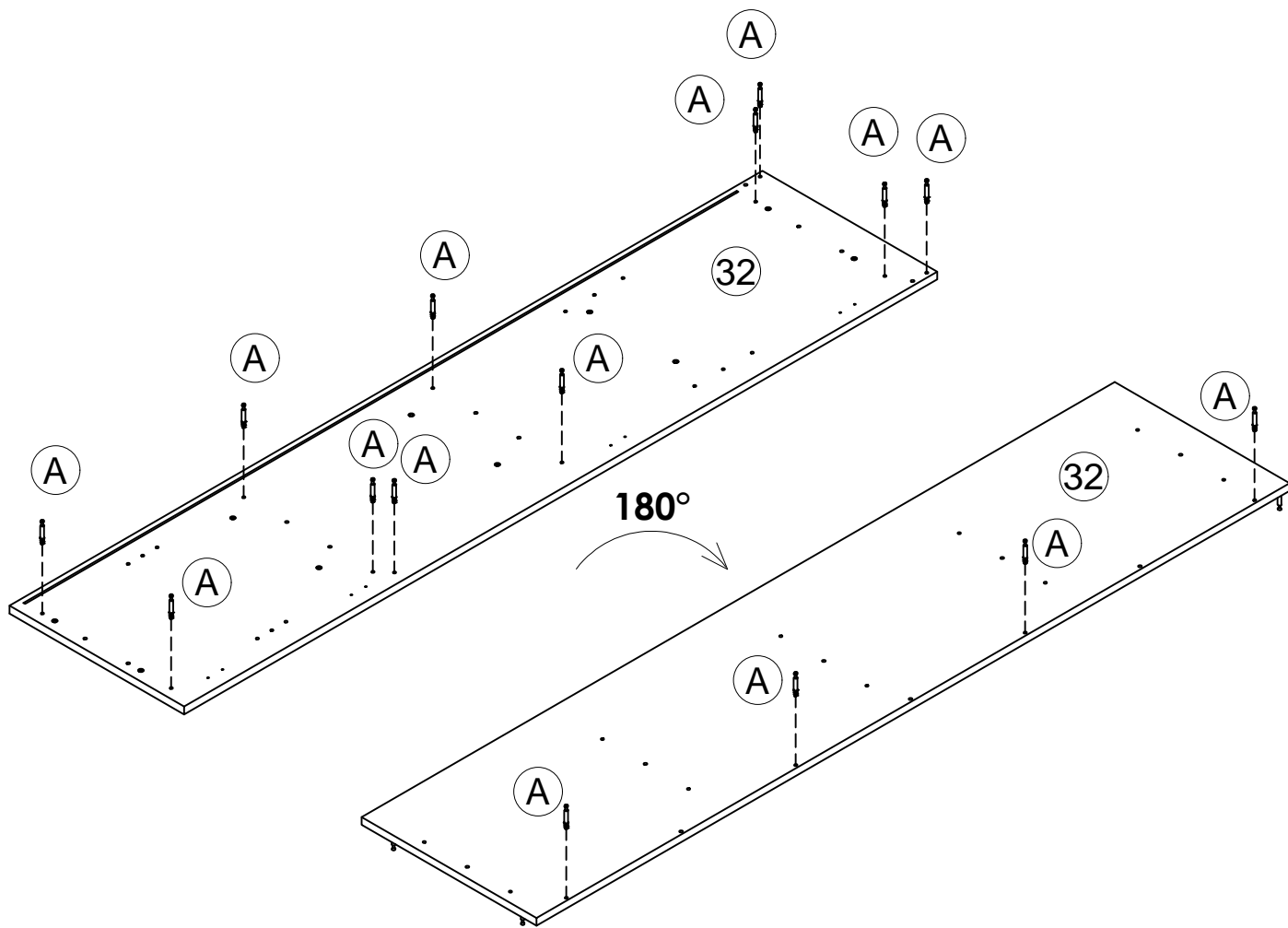


[×5]

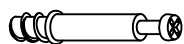
(I)



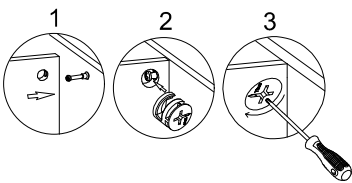
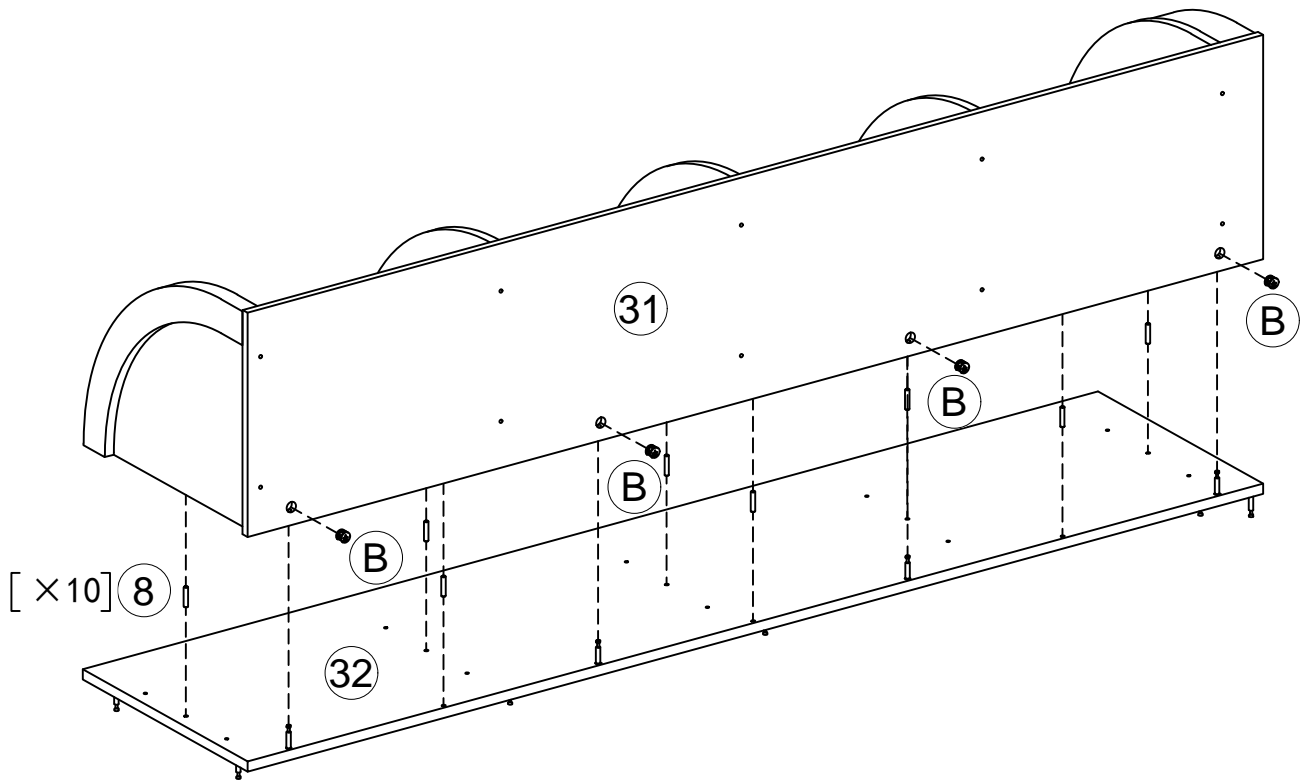
[×10]



A



[×15]

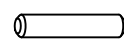


(B)

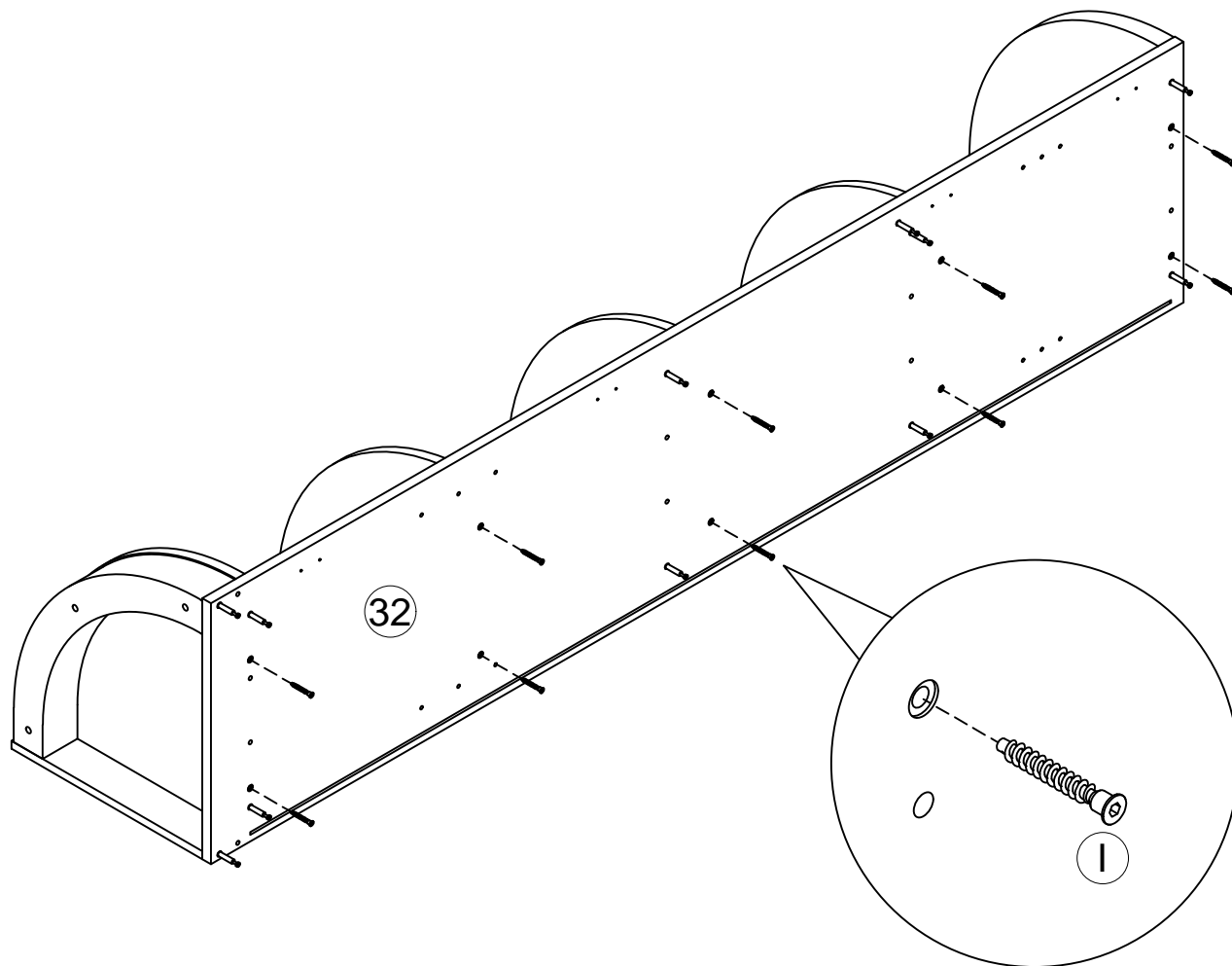


[x4]

(C)



[x8]

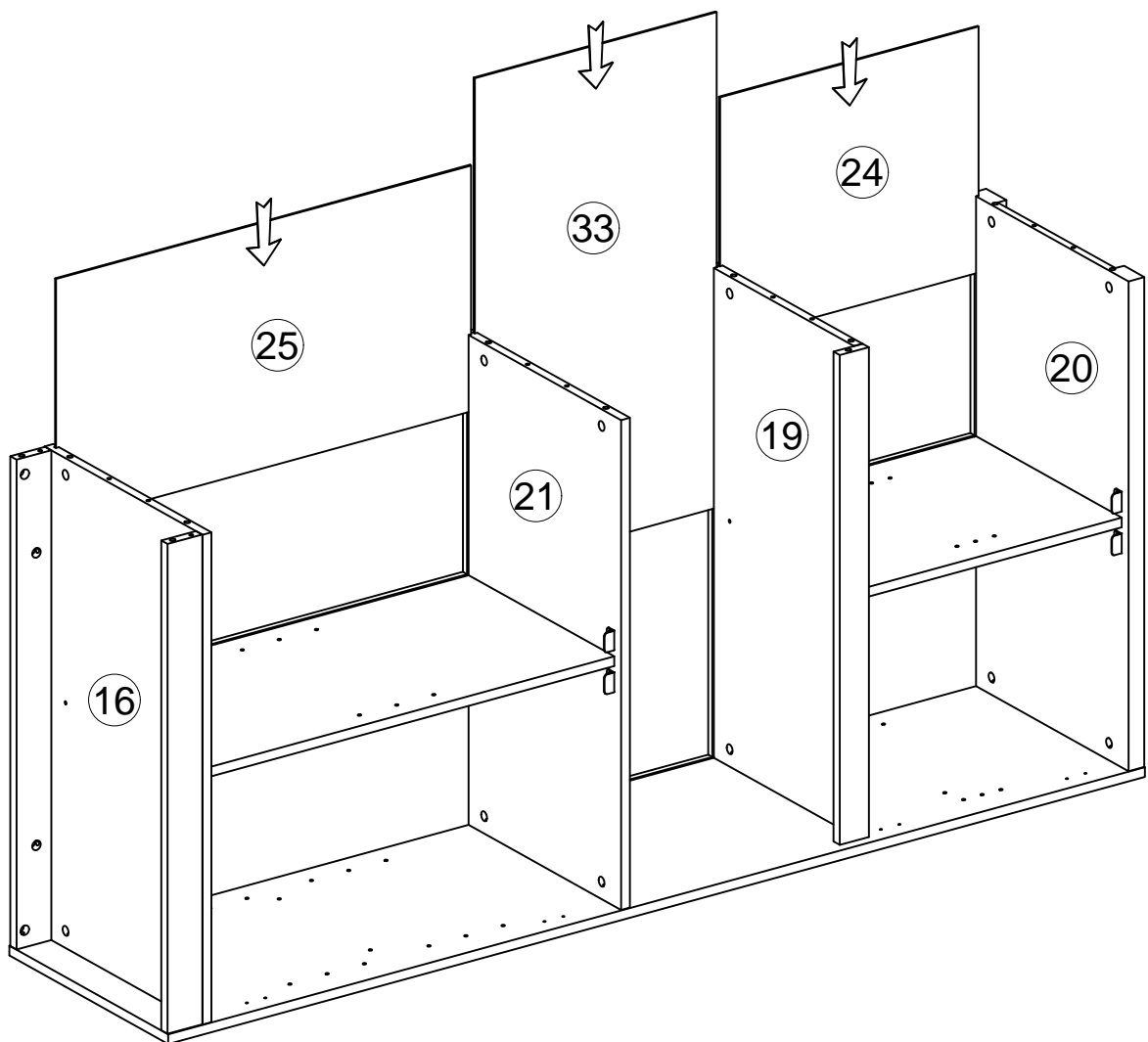


1

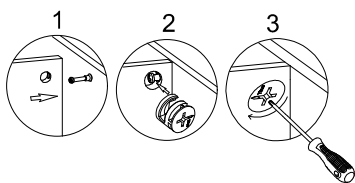
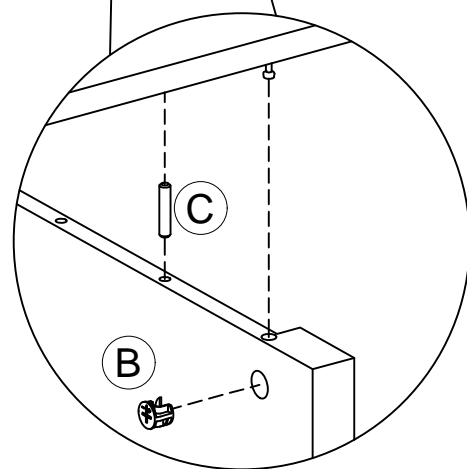
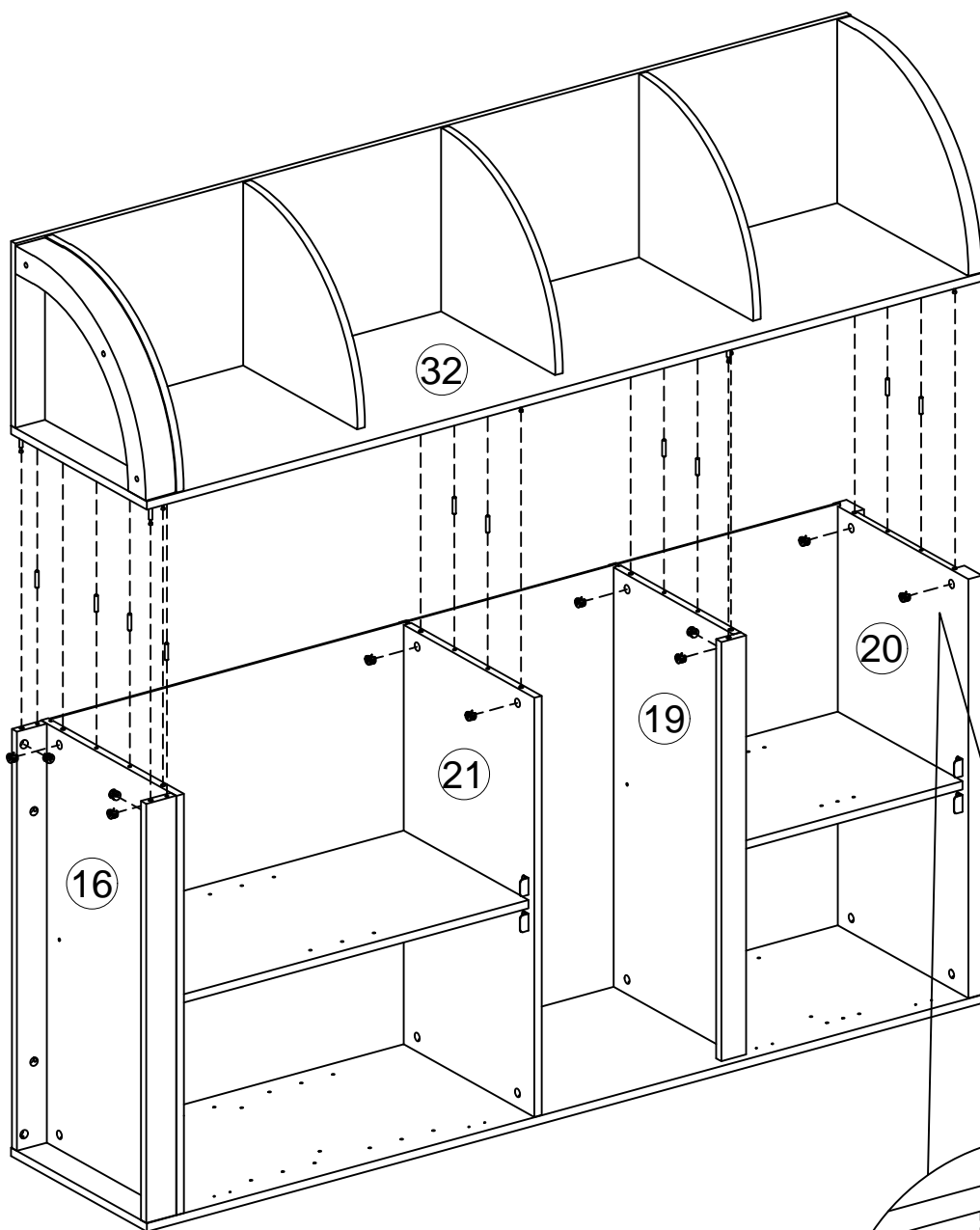


[×10]

29



30

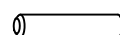


(B)



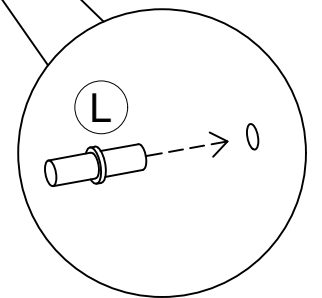
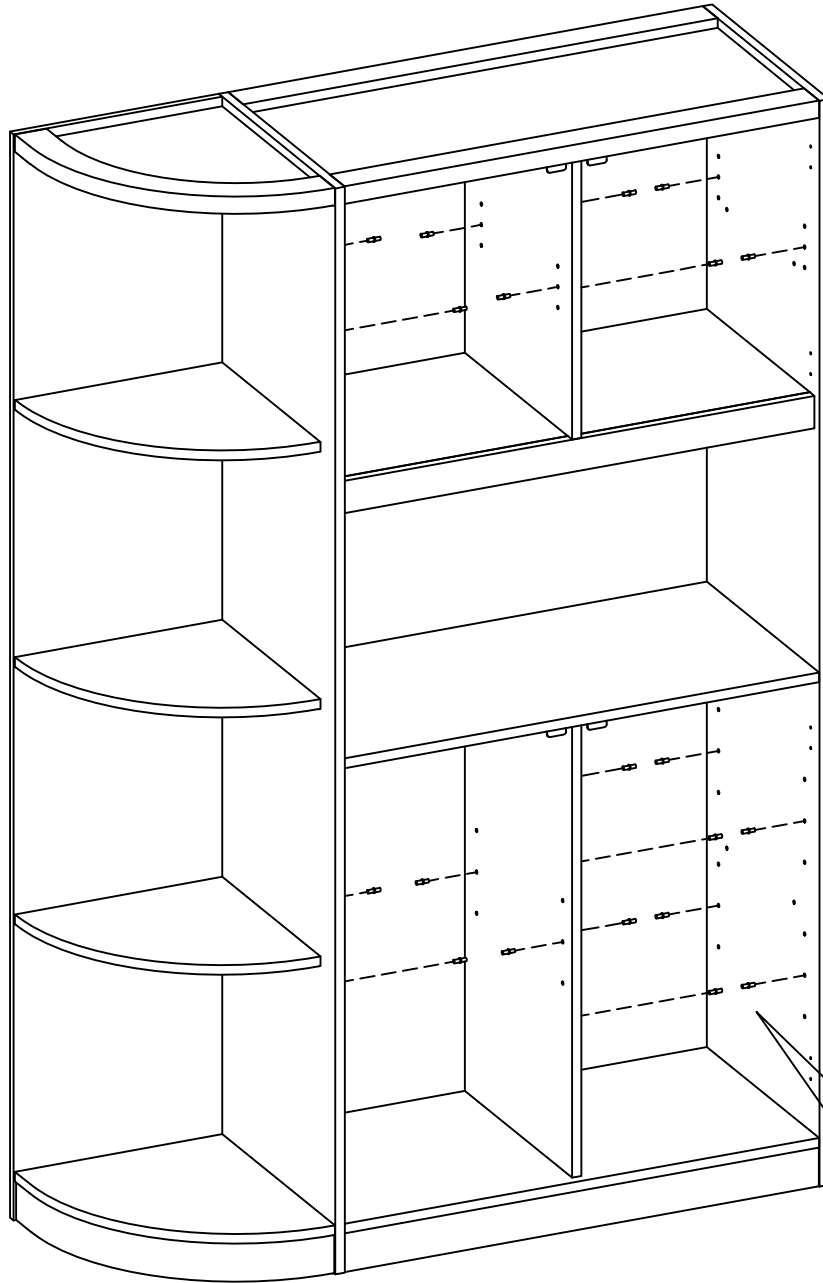
[×11]

(C)

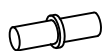


[×10]

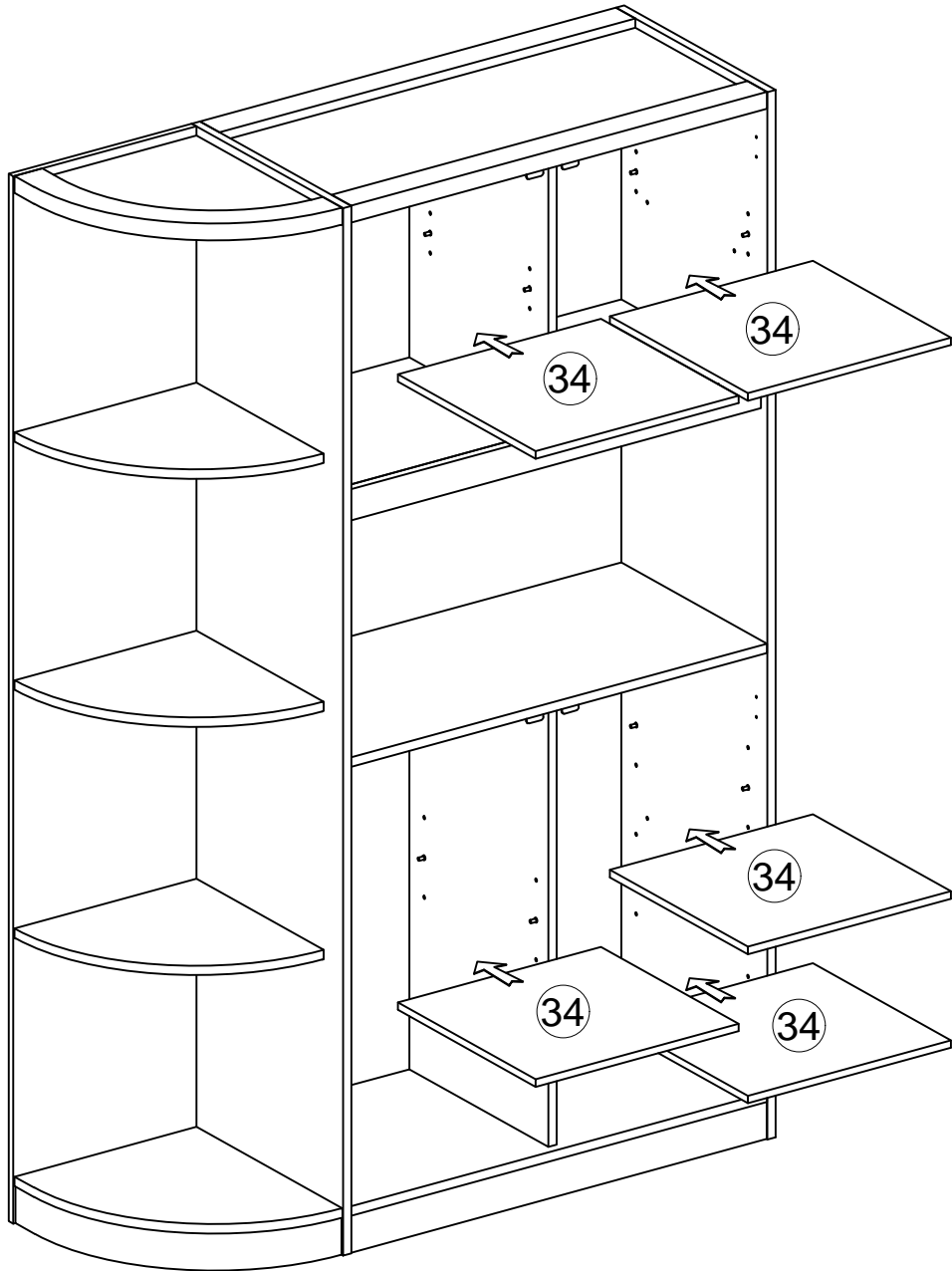
31

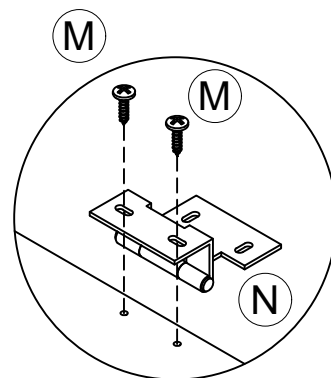
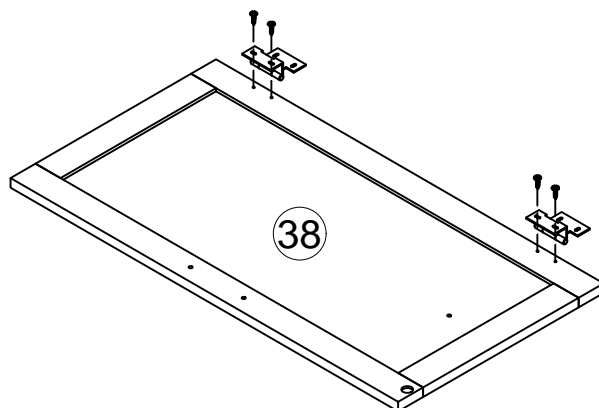
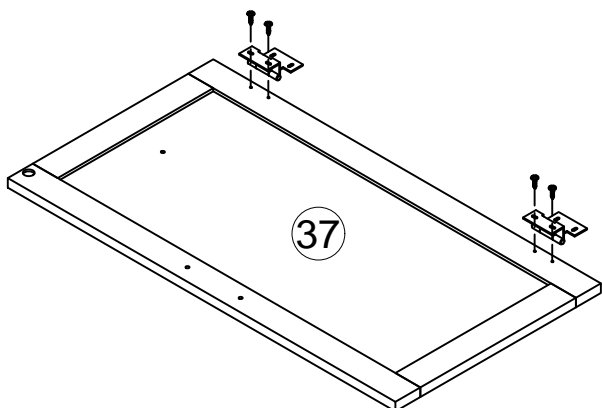
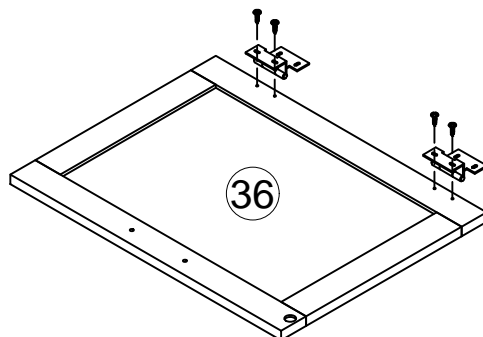
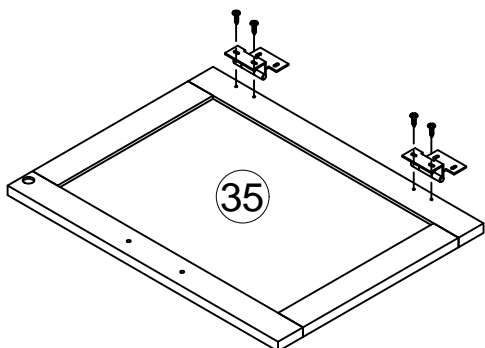


L

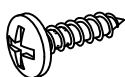


[×20]



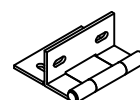


(M)



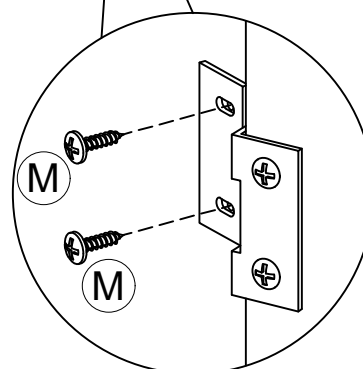
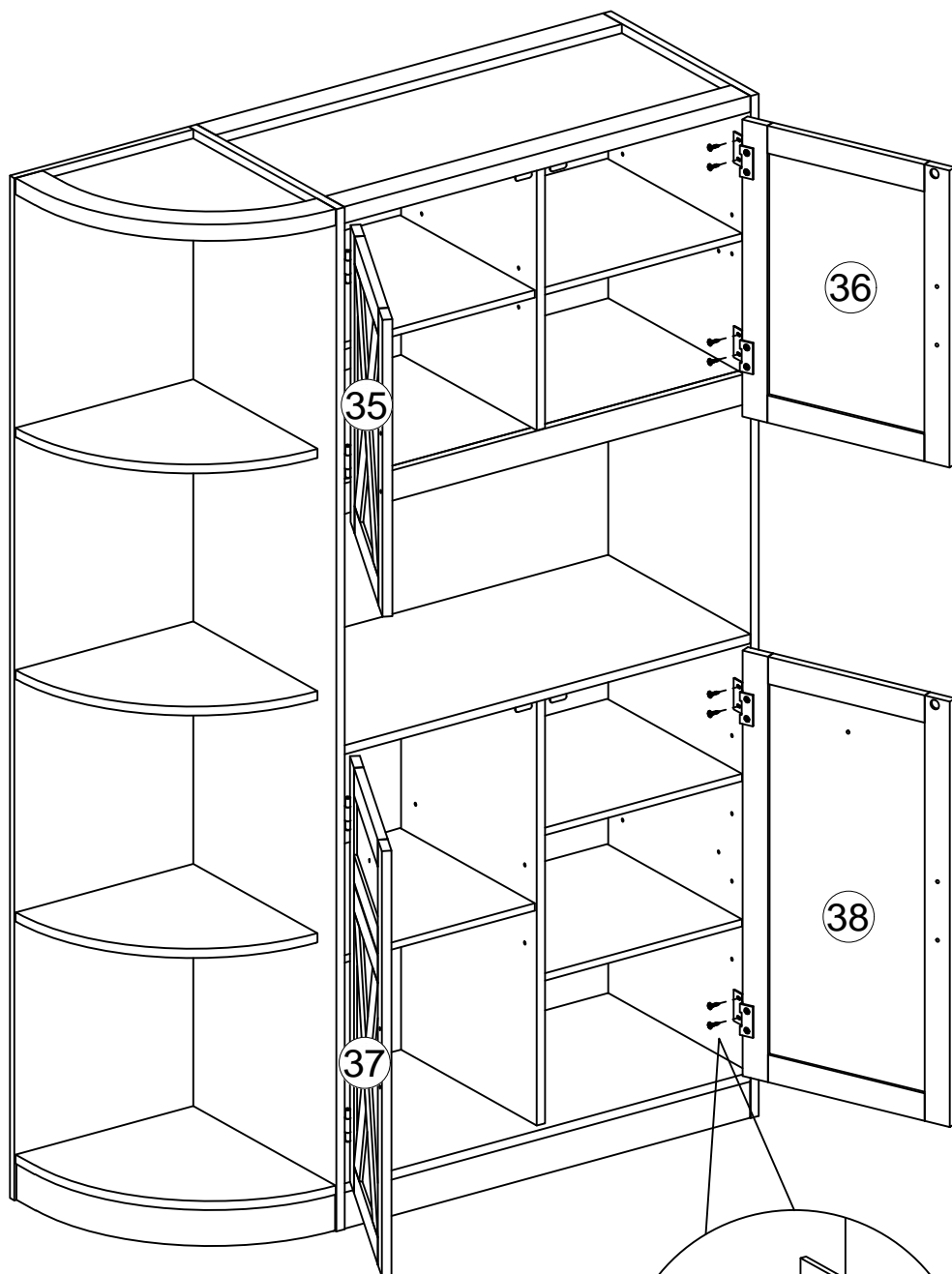
[×16]

(N)

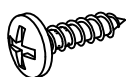


[×8]

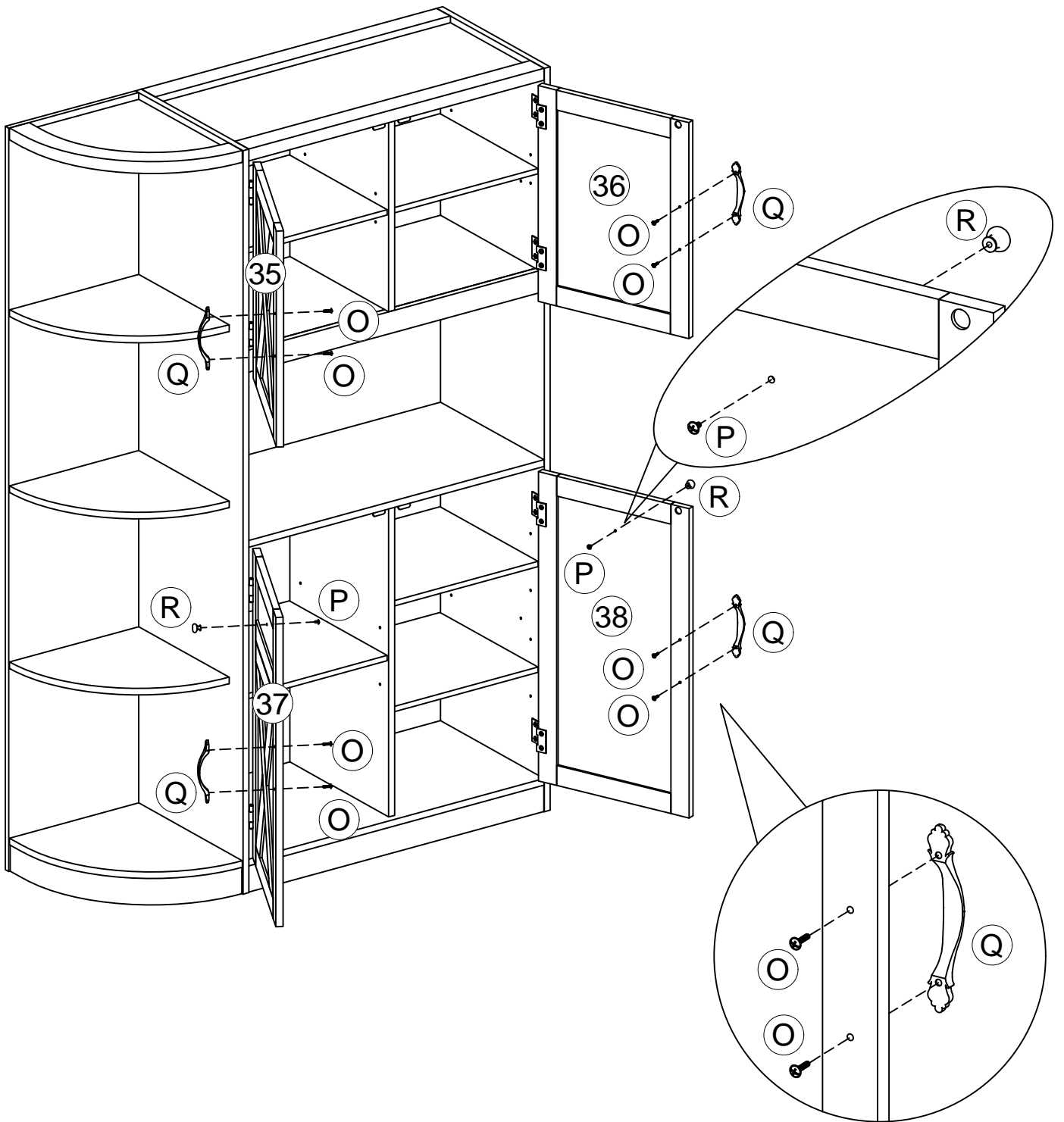
34



M



[×16]

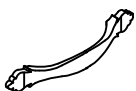


O



[x8]

Q



[x4]

P



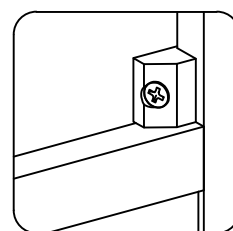
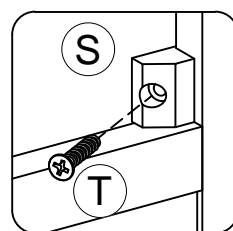
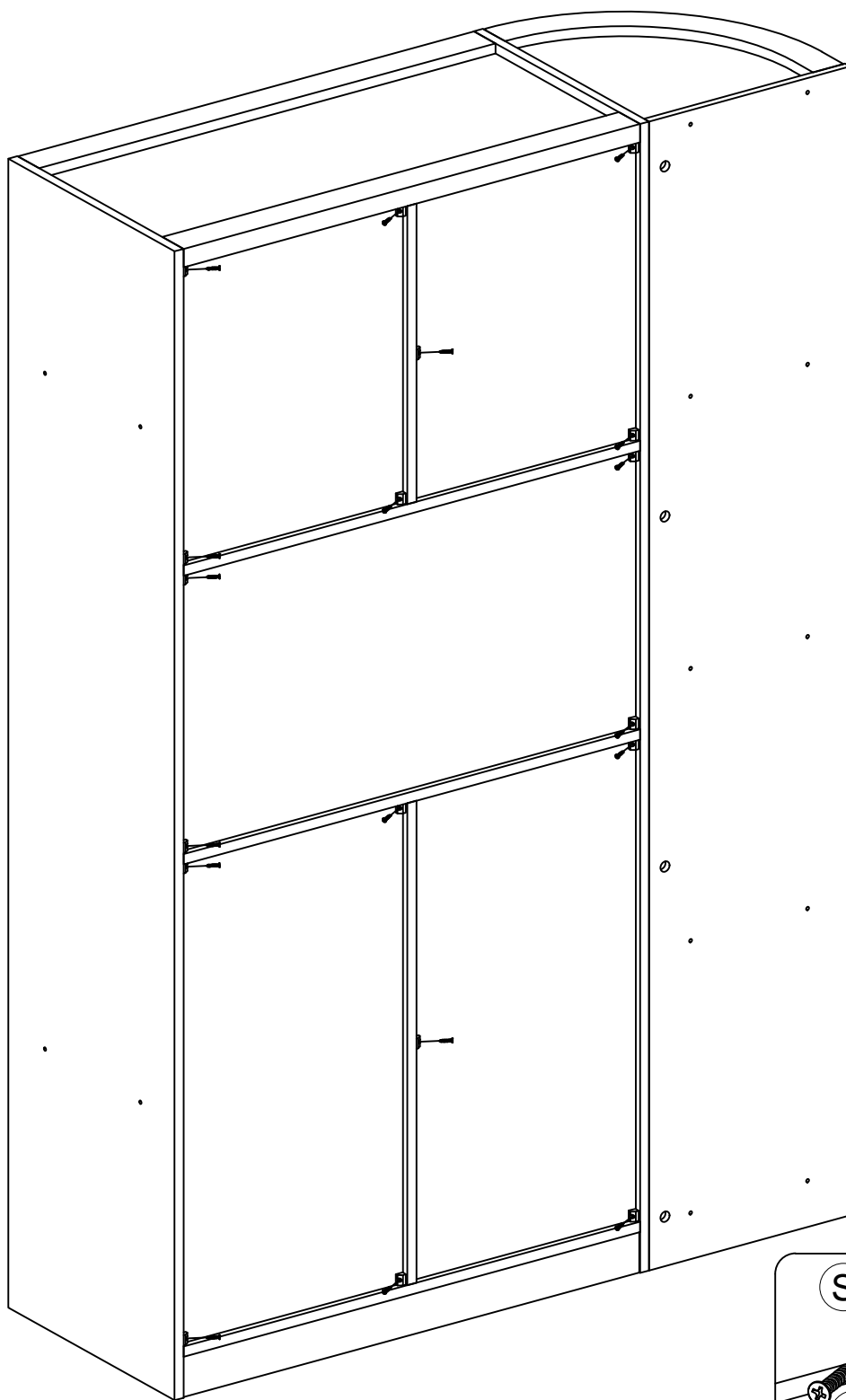
[x2]

R



[x2]

36



S

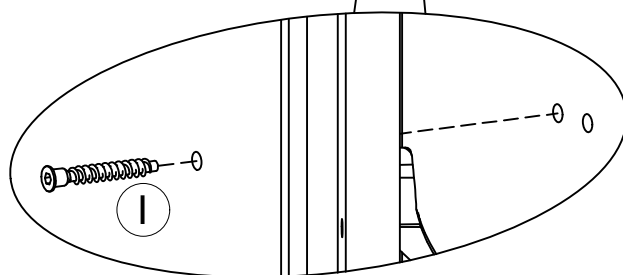
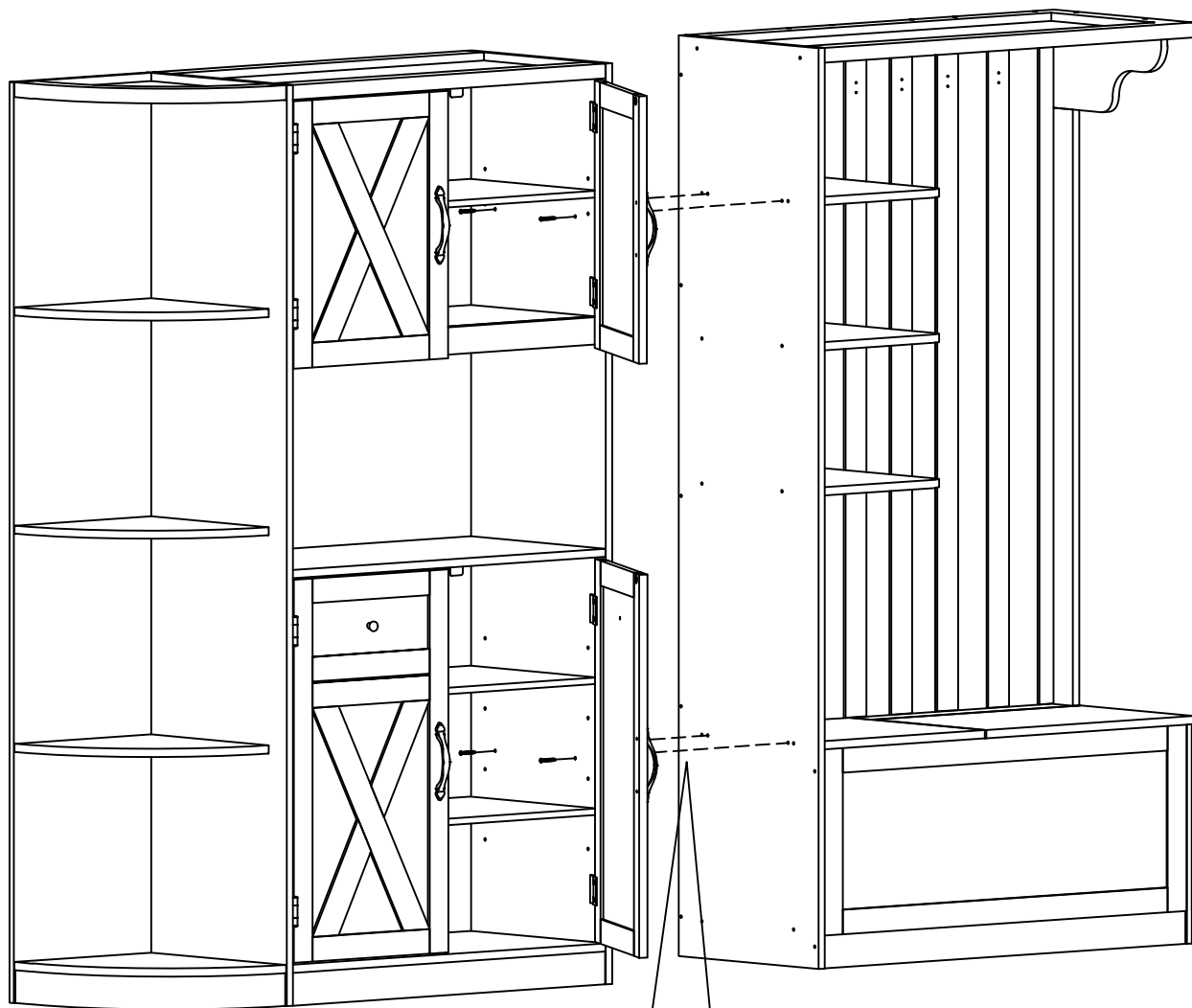


[×18]

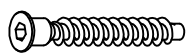
T



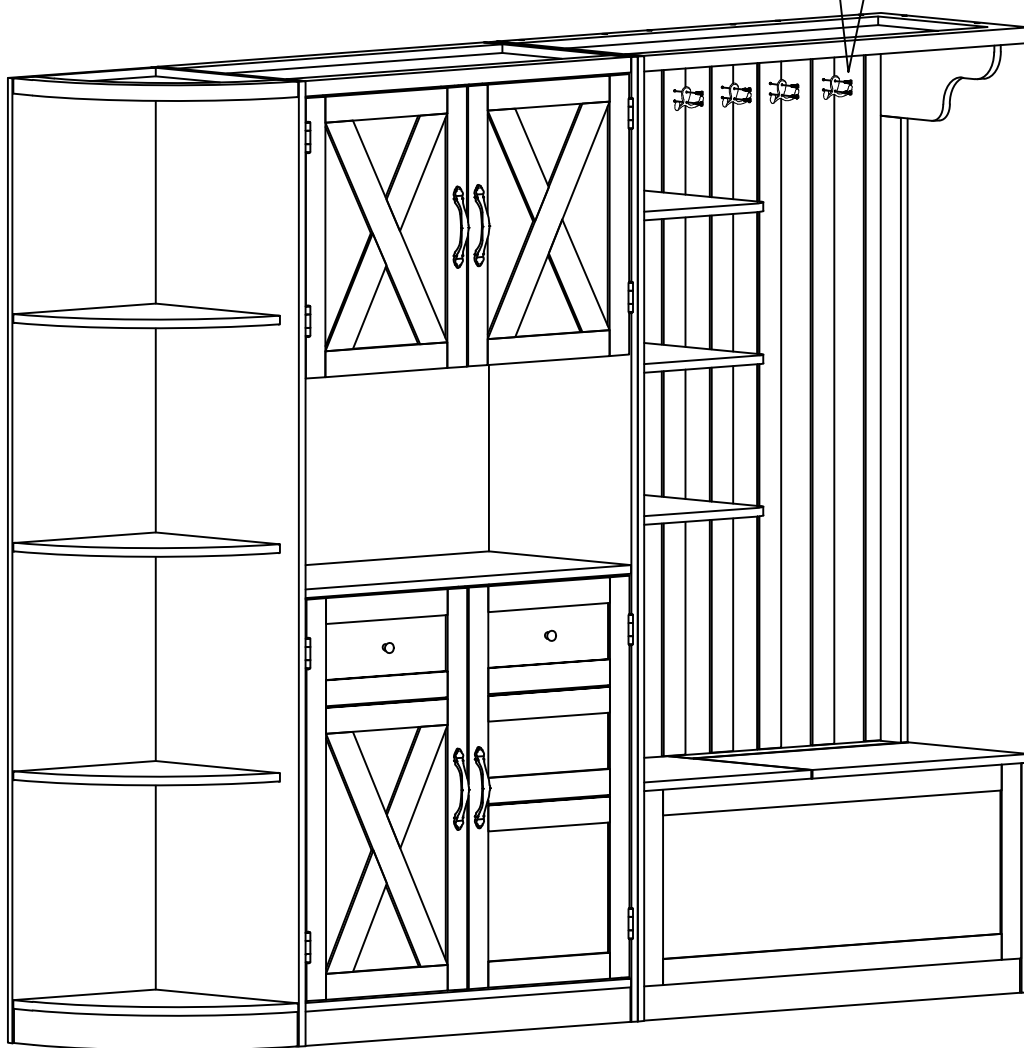
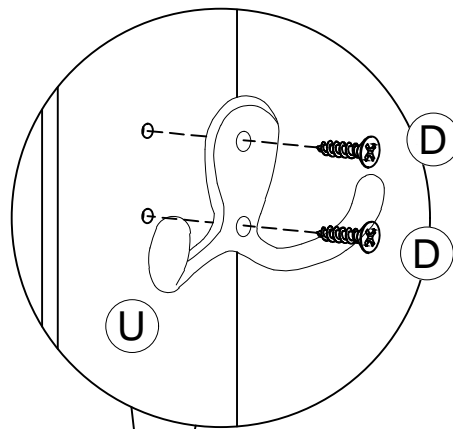
[×18]



1



[×4]



D



[×8]

U



[×4]

