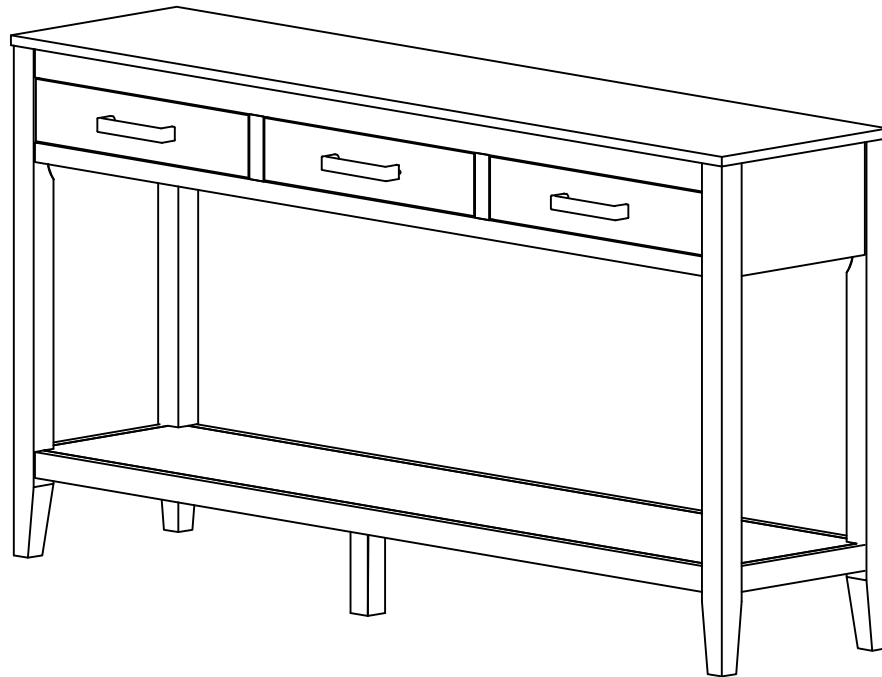


Assembly Instruction

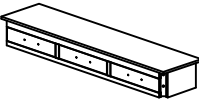


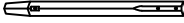



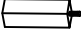





Thank you for purchasing this quality product. Be sure to check all packing materials carefully for small parts, which may have come loose inside the carton during shipment. Identify and count all items and compare with the PARTS LIST and/or HARDWARE LIST shown below.

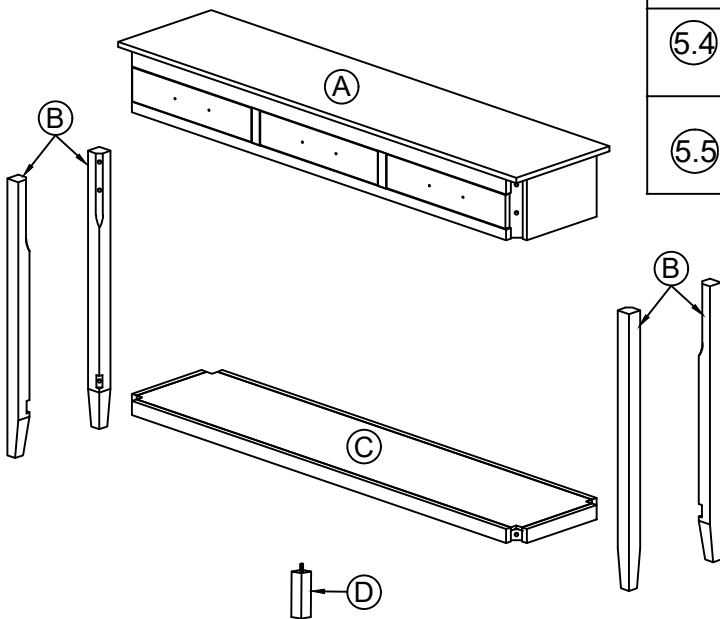
Caution: Please read the instructions thoroughly before assembly.

1. We recommend that you assemble this product with the assistance of another person; this will make the assembly easier, and will help eliminate damage to the product or injury to persons during assembly.
2. Please do not over tighten screws or bolts until the assembly is completed.
3. Please put all parts on a non-abrasive floor before assembly, and follow the assembly steps to assemble your newly purchased product correctly and efficiently.



Assembly Instruction

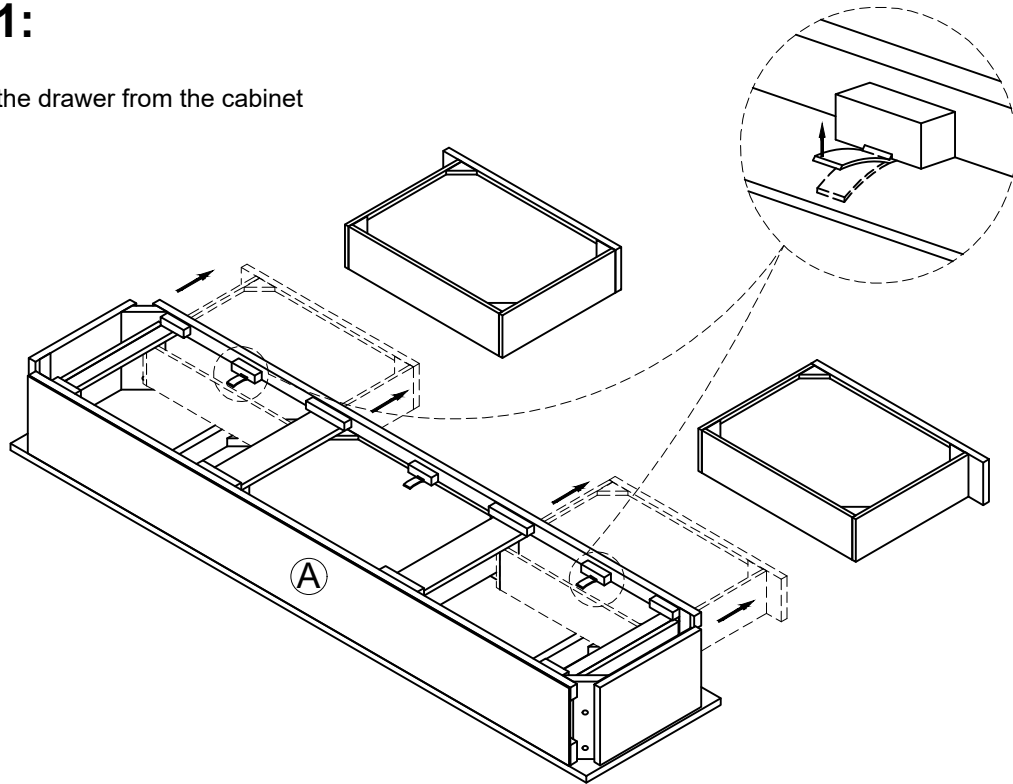
PART LISTS				HARDWARE LISTS			
NO	DESCRIPTION	SKETCH	Q.TY	NO	DESCRIPTION	SKETCH	Q.TY
Ⓐ	Table Top		1 Pc	①	Bolt 1/4" x 45mm		12 Pcs
				②	Spring Washer 1/4"		12Pcs
Ⓑ	Legs		4 Pcs	③	Flat Washer 1/4"		12 Pcs
				④	Allen Key L=60		1 Pc
Ⓒ	Shelf		1 Pc	⑤ Anti Tip Kit 2 sets			
Ⓓ	Center Leg		1 Pc	⑤.1	Plastic Anchor		2 Pcs
				⑤.2	Metal Bracket		4 Pcs
				⑤.3	Long screw M4 x 40 mm		2 Pcs
				⑤.4	Short screw M4 x 20 mm		2 Pcs
				⑤.5	Steel wire		2 Pcs



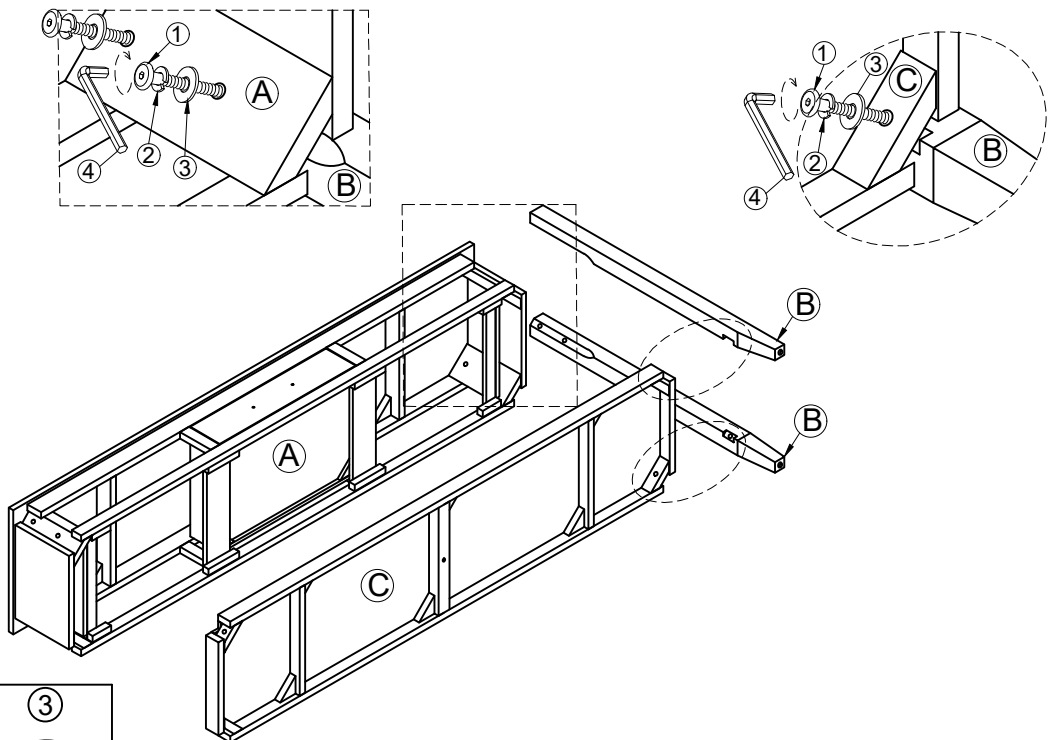
Assembly Instruction

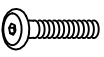


STEP 1:

Remove the drawer from the cabinet



STEP 2:



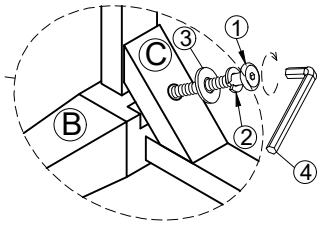
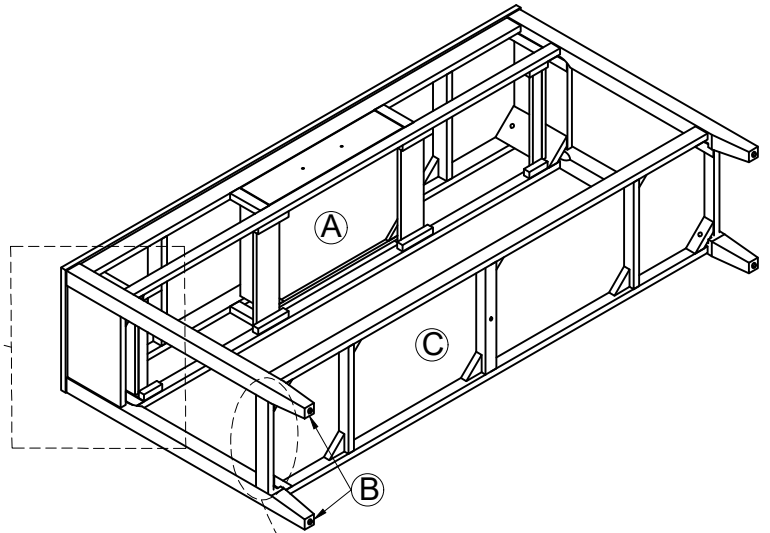
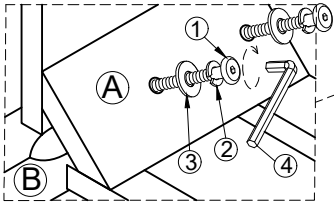
①	②	③
		
6pcs	6pcs	6pcs

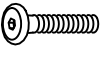


MADE IN VIETNAM

PAGE: 3 OF 6

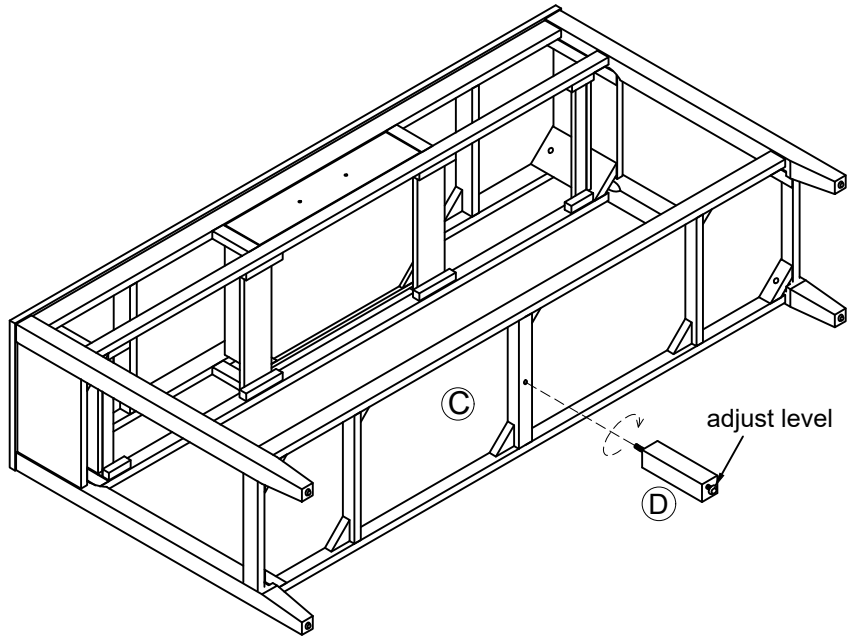
Assembly Instruction

STEP 3:



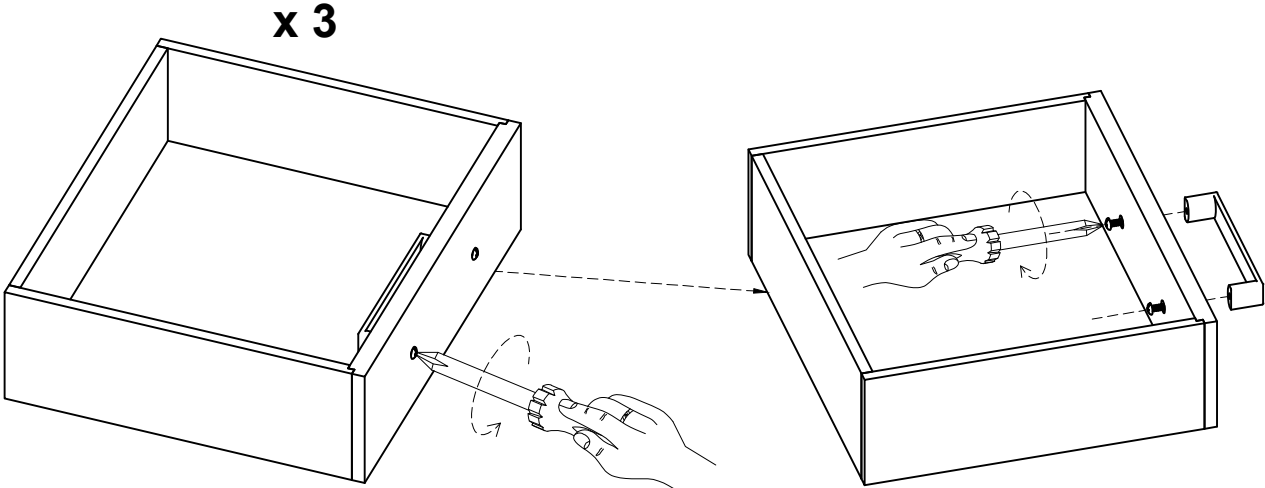
①	②	③
		
6pcs	6pcs	6pcs

STEP 4:

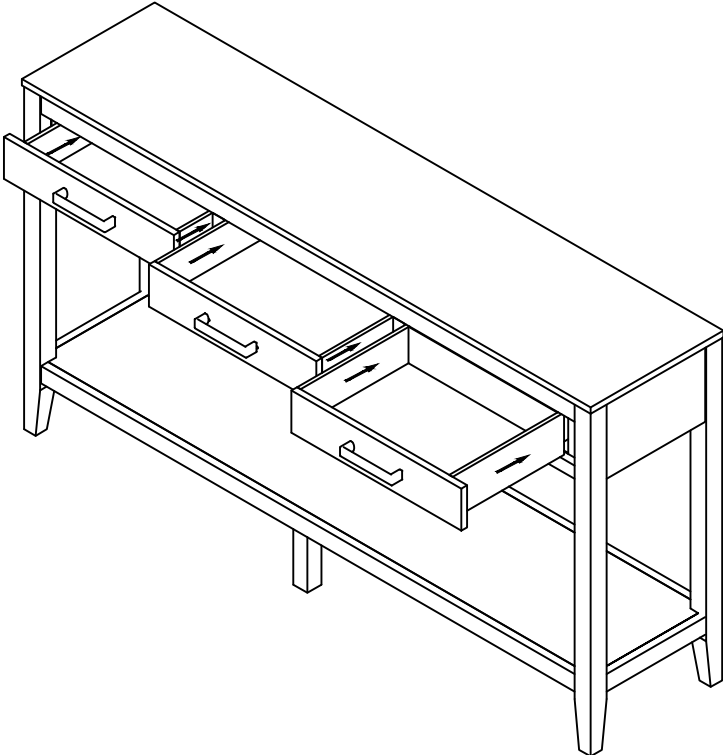


Assembly Instruction

STEP 5:

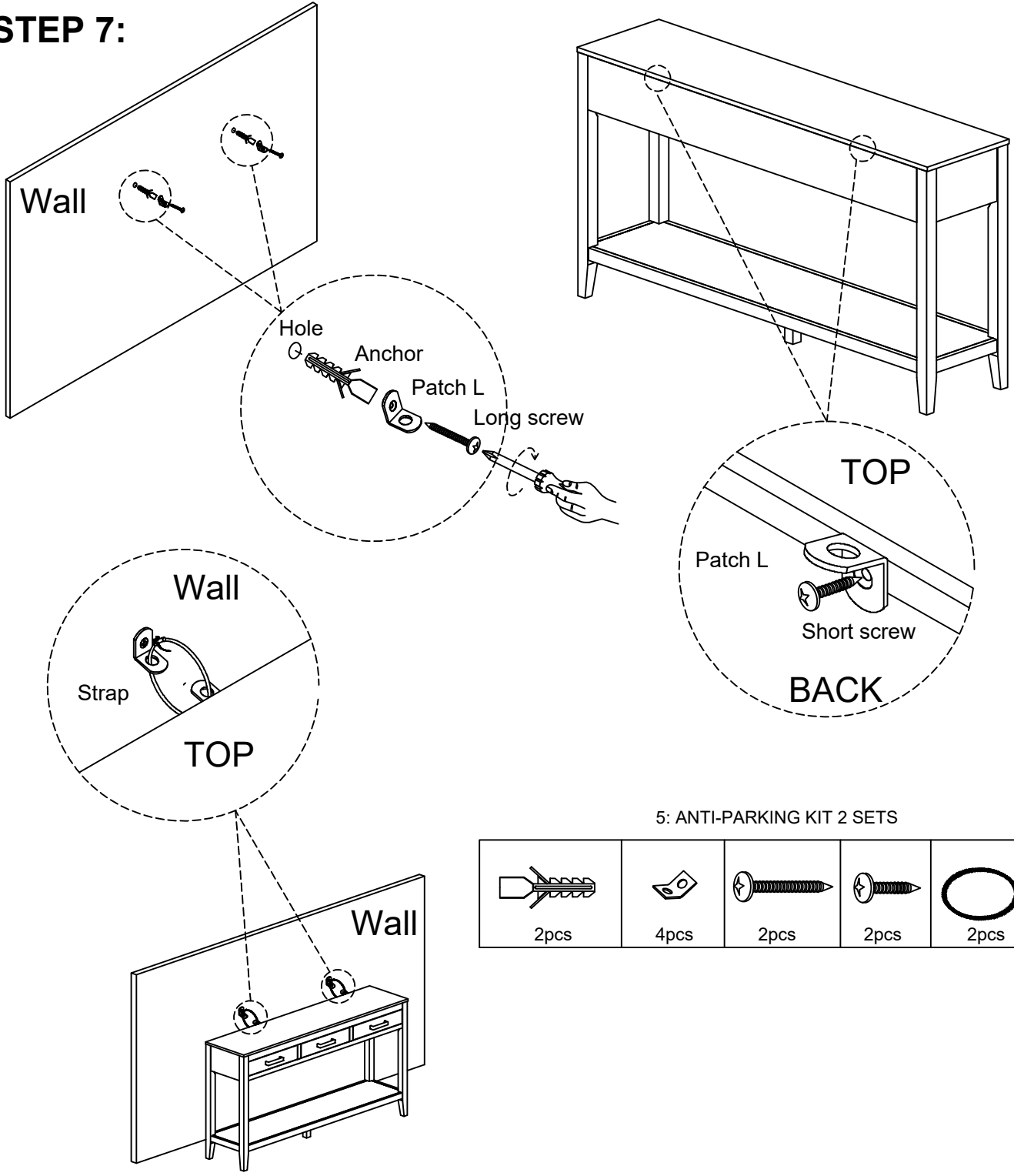


STEP 6:




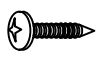



Assembly Instruction

STEP 7:



5: ANTI-PARKING KIT 2 SETS

				
2pcs	4pcs	2pcs	2pcs	2pcs