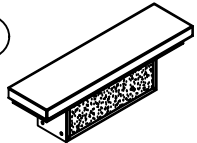
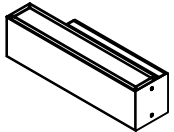
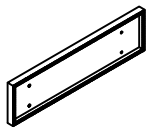



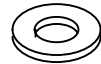
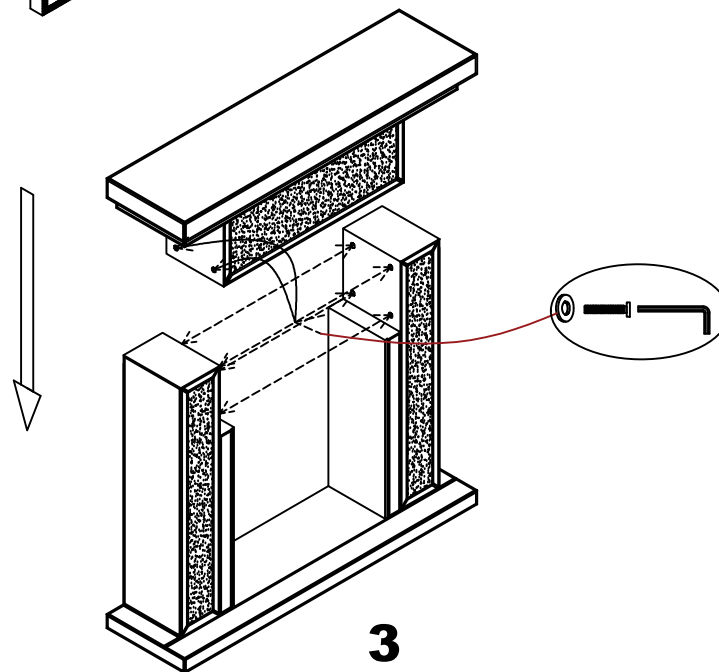
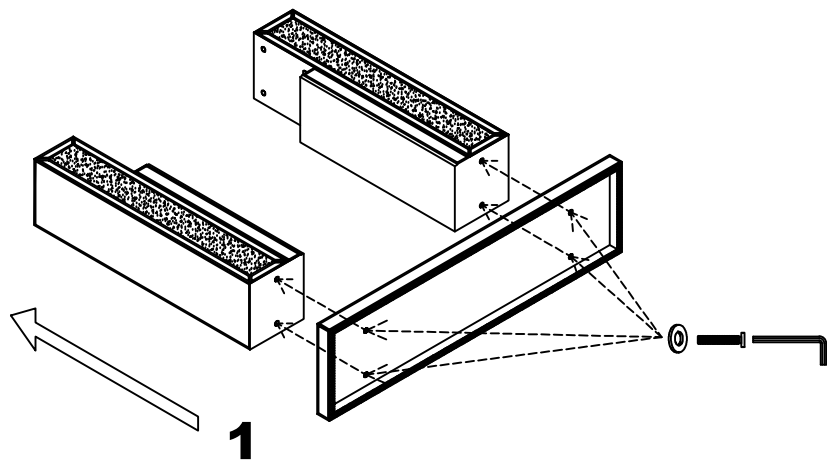
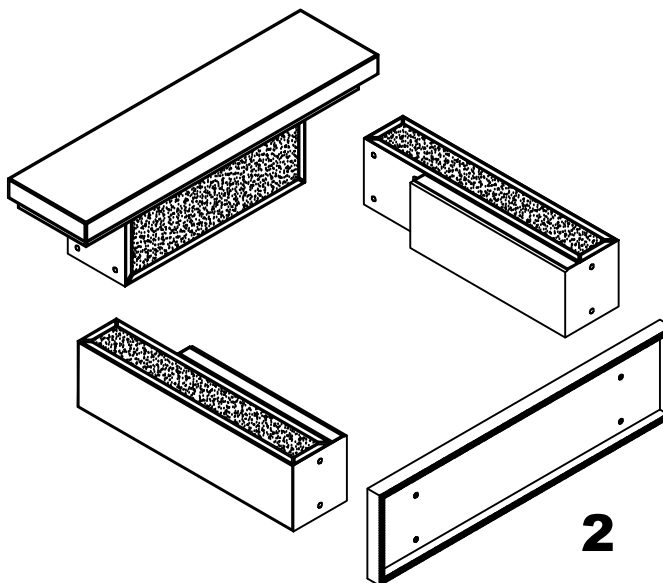


ASSEMBLY INSTRUCTION

①  x1	②  x2
③  x1	
Ⓐ  x1	Ⓑ  x12
Ⓒ  x12	Ⓓ  x12



3