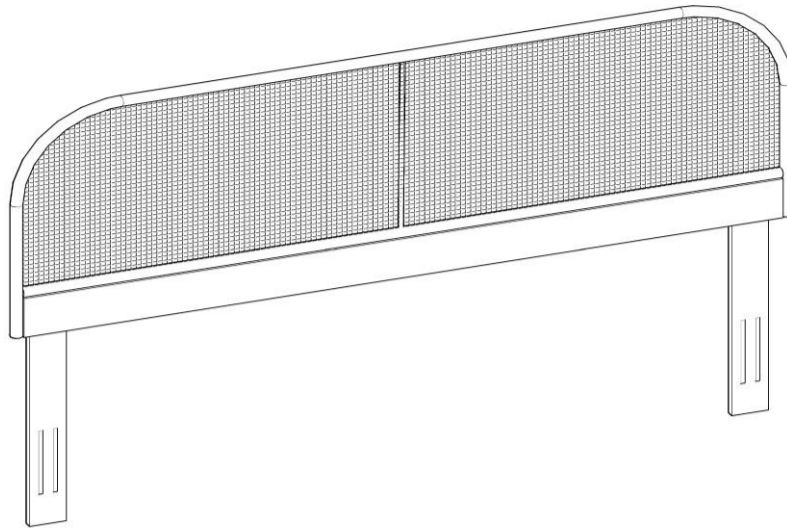
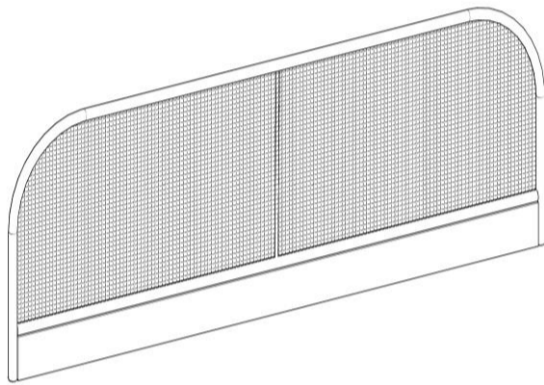


ASSEMBLY INSTRUCTION

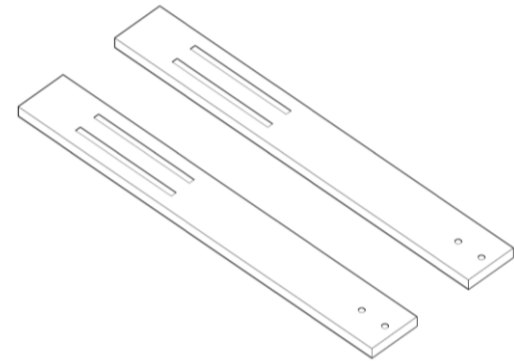
2037KHB



PART LIST



(A) HB head : 1pc



(B) Leg : 2pcs

HARDWARE LIST



(1) Allen key : 1pc



(2) JCB Bolt : 4pcs

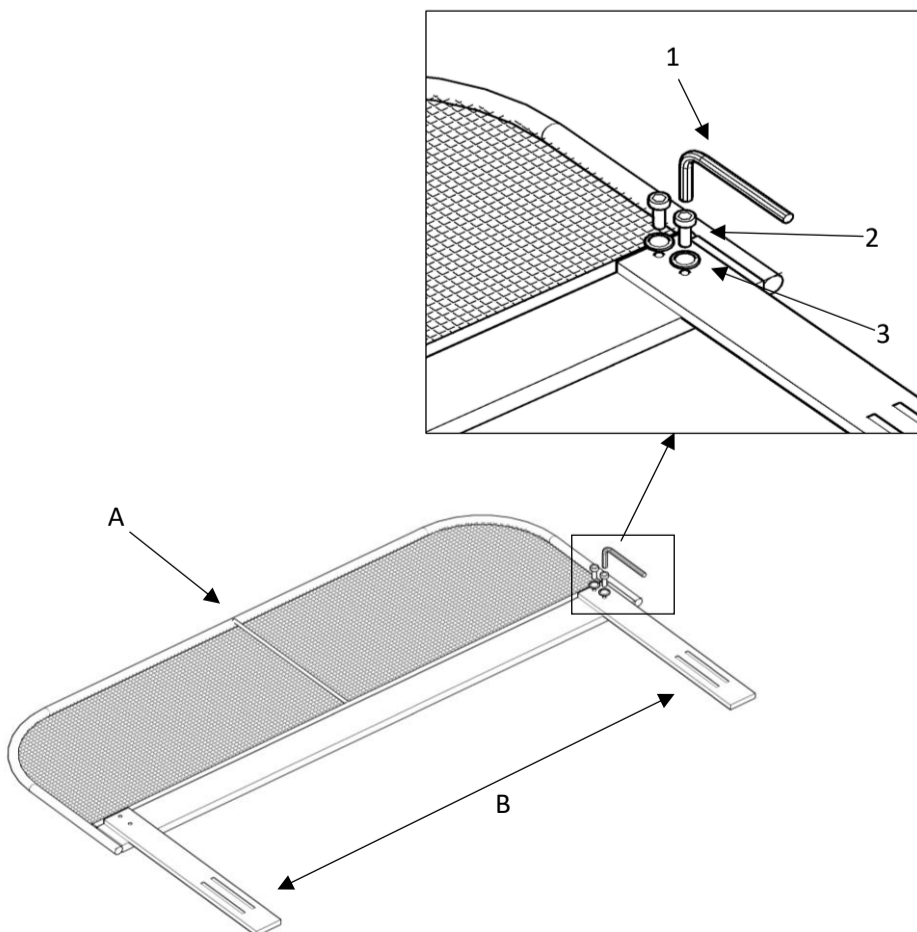


(3) flat washer : 4pcs

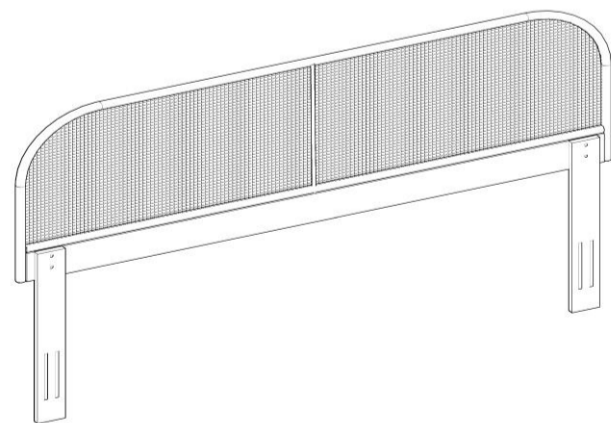
ASSEMBLY INSTRUCTION

2037KHB

STEP 1



STEP 2



Use step 1 and attach the headboard to a bed frame.