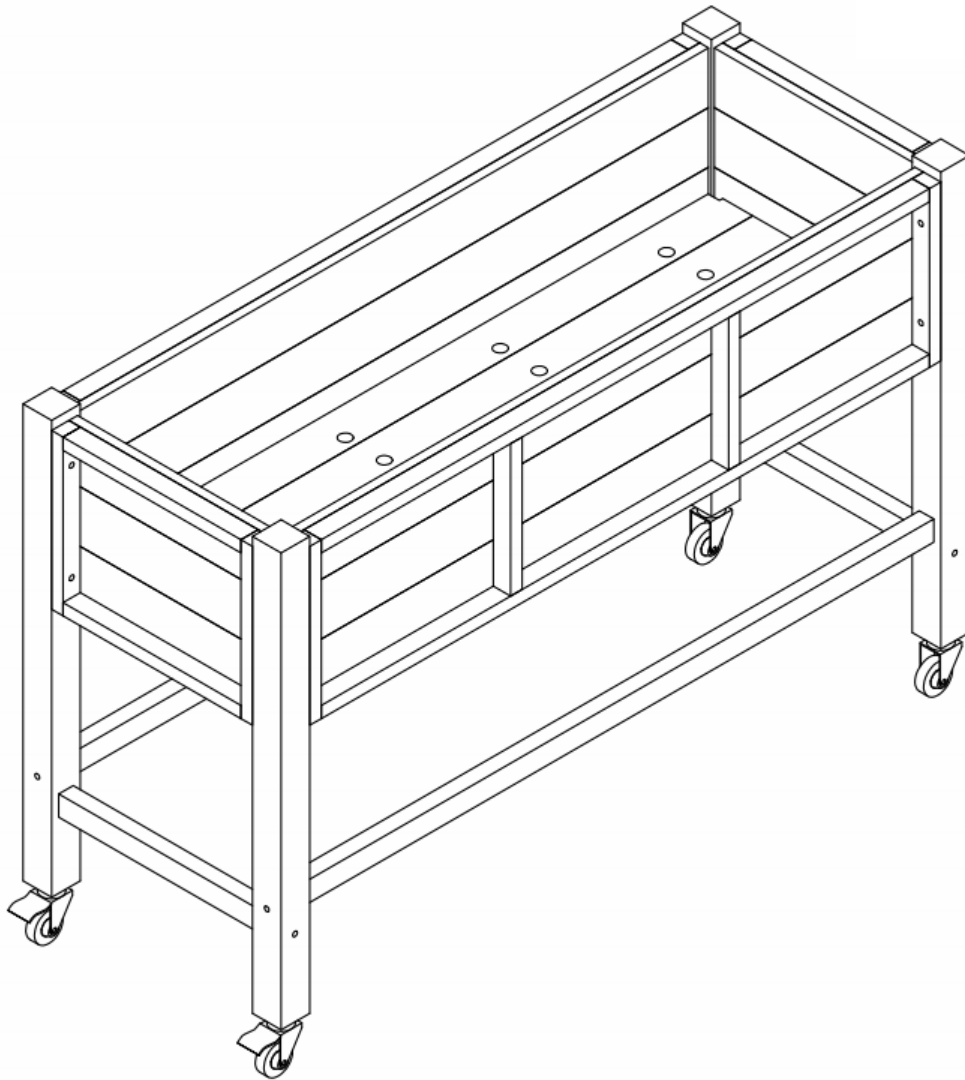
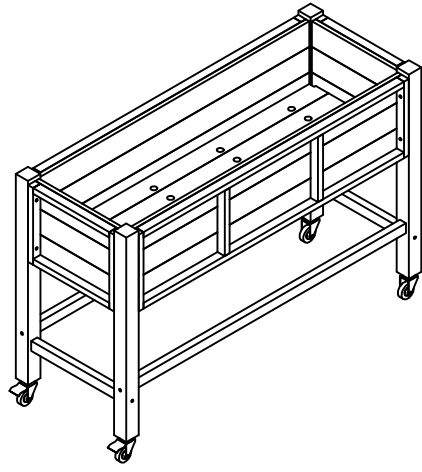


# ASSEMBLY INSTRUCTIONS



## Raised Planter

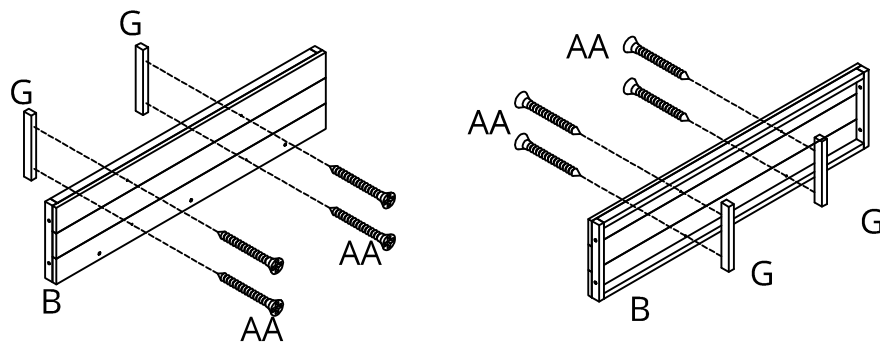
- Notice:
1. Follow the installation instructions. Please confirm all accessories are preset before installation.
  2. Do not fully tighten the screws during initial assembly. Fully tighten screws only once all pieces are correctly assembled.
  3. If you encounter any problems during installation, please contact us.



A		2PCS	H		2PCS
B		2PCS	I		2PCS
			J		1PC
C		2PCS	AA	 Screw (4*25)	8PCS
			BB	 Screw (4*40)	4PCS
			CC	 Bolt (M6*35)	24PCS
D		2PCS	DD	 Bolt (M6*60)	8PCS
E		1PC	EE		2PCS
			FF		2PCS
F		2PCS			
G		4PCS		 Phillips Screwdriver (not included)	

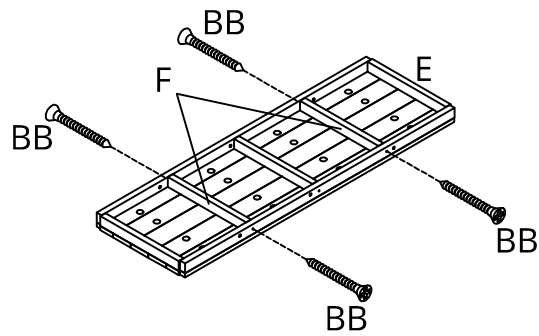
1

B \*2PCS  
G \*4PCS  
AA \*8PCS



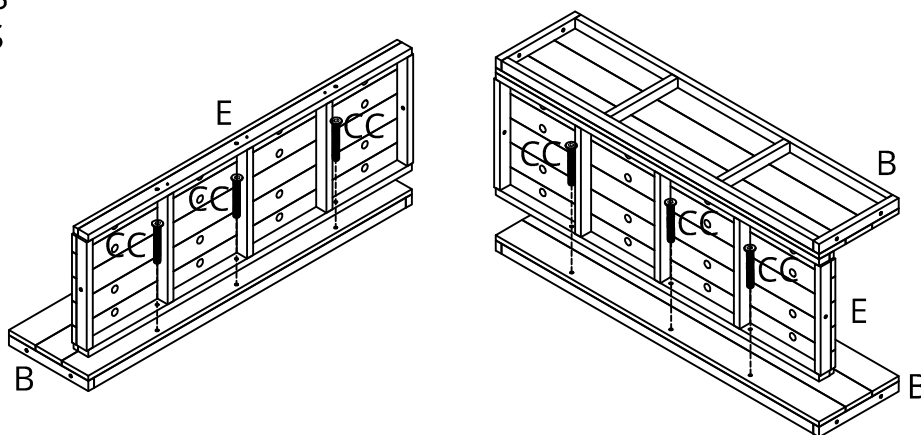
2

E \*1PCS  
F \*2PCS  
BB \*4PCS



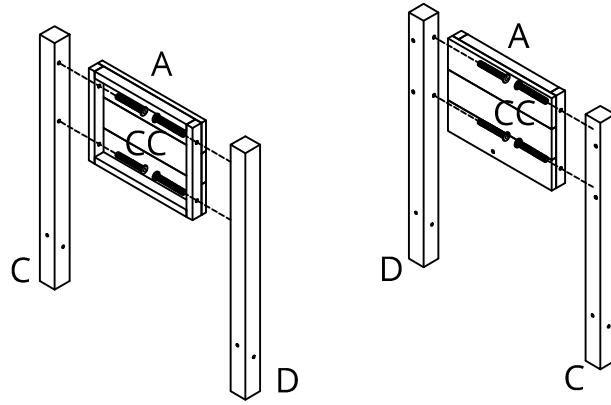
3

E \*1PCS  
B \*2PCS  
CC \*6PCS



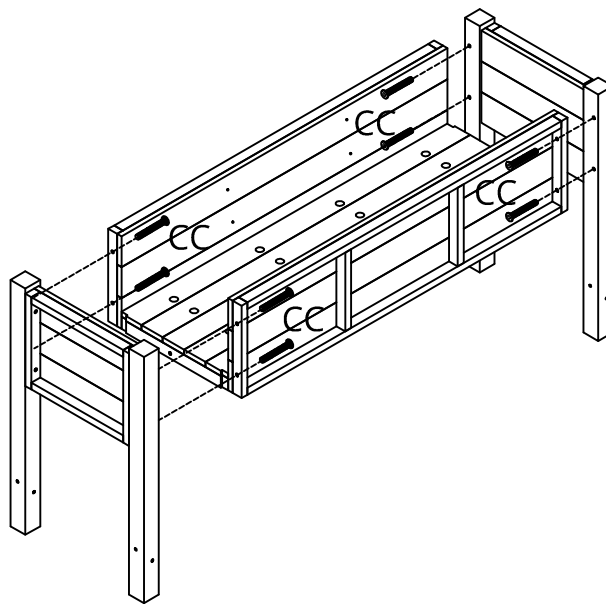
4

A \*2PCS  
C \*2PCS  
D \*2PCS  
CC \*8PCS



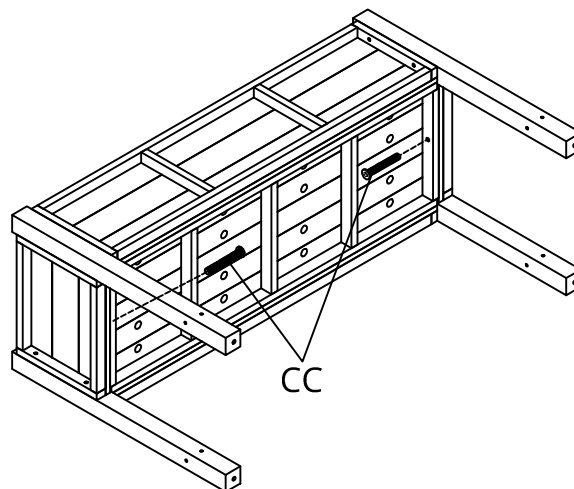
5

CC \*8PCS



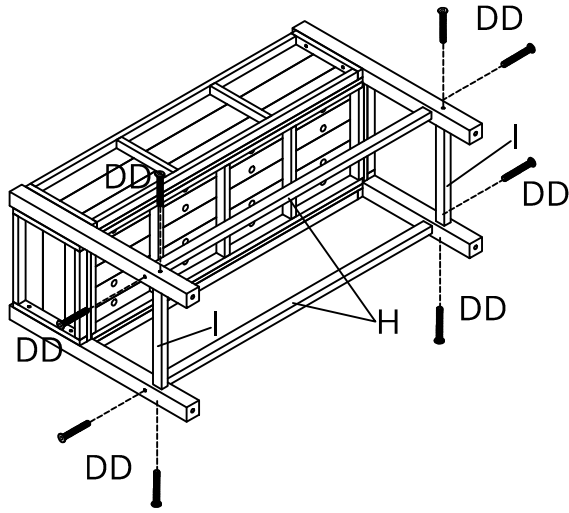
6

CC \*2PCS



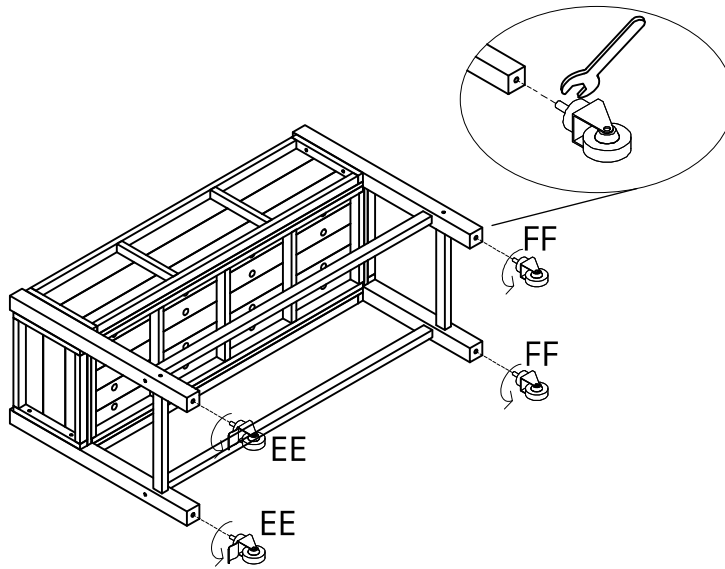
7

H \*2PCS  
I \*2PCS  
DD \*8PCS



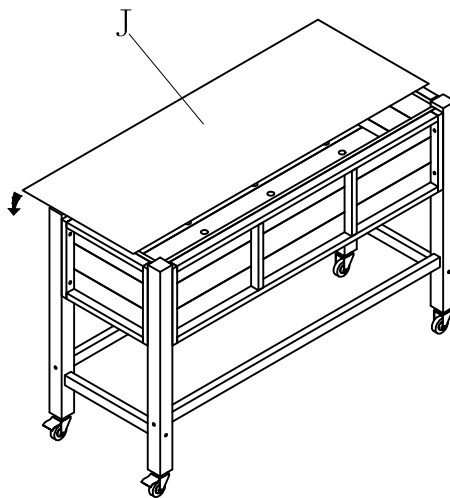
8

EE \*2PCS  
FF \* 2PCS



9

J \*1PCS



Installation Completed