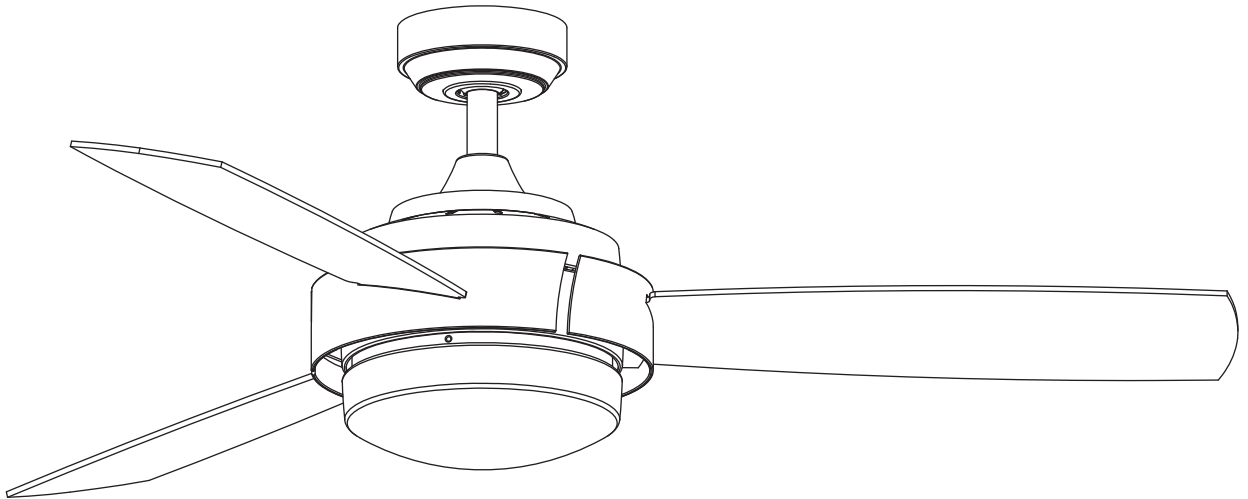


CEILING FAN

Español p. 20



Net Weight 21.08 lbs (9.56 kg)

Important Safety Instructions

WARNING: To avoid fire, shock and serious personal injury, follow these instructions.

1. Read your owner's manual and safety information before installing your new fan. Review the accompanying assembly diagrams.
2. Before servicing or cleaning unit, switch power off at service panel and lock service panel disconnecting means to prevent power from being switched on accidentally. When the service disconnecting means cannot be locked, securely fasten a warning device, such as a tag, to the service panel.
3. Be careful of the fan and blades when cleaning, painting, or working near the fan. Always turn off the power to the ceiling fan before servicing.
4. Do not insert anything into the fan blades while the fan is operating.
5. The appliance is not intended for use by young children or infirm persons without supervision. Young children should be supervised to ensure that they do not play with the appliance.
5. Do not operate reversing switch until fan blades have come to a complete stop.

Additional Safety Instructions

1. To avoid possible shock, be sure electricity is turned off at the fuse box before wiring, and do not operate fan without blades.
2. All wiring and installation procedures must satisfy National Electrical Codes (ANSI/ NFPA 70-1999) and Local Codes. The ceiling fan must be grounded as a precaution against possible electrical shock. Electrical installation should be made or approved by a licensed electrician.
3. The fan base must be securely mounted and capable of reliably supporting at least 35 lbs. (fan and accessories not to exceed 35 lbs. or 15.88 kgs.). See page 5 of owner's manual for support requirements. Consult a qualified electrician if in doubt.
4. The fan must be mounted with the fan blades at least 7 feet from the floor to prevent accidental contact with the fan blades.
5. Follow the recommended instructions for the proper method of wiring your ceiling fan. If you do not have adequate electrical knowledge or experience, have your fan installed by licensed electrician.
6. Suitable for use with solid-state speed controls.
7. This fan is to be used in dry location only.
8. For supply connections, if the conductor of a fan is identified as a grounded conductor, then it should be connected to a grounded conductor power supply. If the conductor of a fan is identified as an ungrounded conductor, then it should be connected to an ungrounded conductor power supply. If the conductor of a fan is identified for equipment grounding, then it should be connected to an equipment grounding conductor.

WARNING: TO REDUCE THE RISK OF SHOCK, THIS FAN MUST BE INSTALLED WITH A GENERAL USE ISOLATING WALL CONTROL/SWITCH.

WARNING: This product is designed to use only those parts supplied with this product and/or accessories designated specifically for use with this product. Using parts and/or accessories not designated for use with this product could result in personal injury or property damage.

WARNING: To reduce the risk of personal injury, do not bend the blade bracket (flange or blade holder) when installing the brackets, balancing the blades, or cleaning the fan. Do not insert foreign objects in between rotating fan blades.

LIMITED LIFETIME WARRANTY

1. **LIMITED LIFETIME MOTOR WARRANTY** - If any part of your fan motor fails, due to a defect in materials or workmanship during the lifetime of the original purchaser, we will provide the replacement part free of charge, when the defective fan is returned to our national service center. Proof of purchase is required. Customer shall be responsible for all costs incurred in the removal or reinstallation and shipping of the product for repairs or replacement.
2. **ONE YEAR MOTOR LABOR WARRANTY** - If your fan motor fails at any time within one year from the original purchase, due to defects in materials or workmanship, labor to repair the motor will be provided free of charge at our national service center. Purchaser will be responsible for labor charges after this one-year period. Customer shall be responsible for all costs incurred in the removal or reinstallation and shipping of the product for repairs or replacement.
3. If any other part of your fan fails at any time within one year after original purchase, due to a defect in materials or workmanship, we will repair, or replace, at our option, the defective part free of charge for parts and labor performed at our national service center.
4. Because of varying climate conditions, this warranty does not cover changes in the finish, including rusting, pitting, corroding, tarnishing, or peeling.
5. This warranty is void and does not apply to damage from improper installation, neglect, accident, misuse, exposure to extremes of heat or humidity, or as a result of any modification to the original product.
6. All costs of removal and reinstallation of the fan are the sole responsibility of the owner of the fan and not the store that sold the fan.
7. We reserves the right to modify or discontinue any product at any time and may substitute any part under this warranty.
8. Under no circumstances may a fan be returned without prior authorization. The receipt of purchase must accompany authorized returns and must be sent freight prepaid. The fan to be returned must be properly packed to avoid damage in transit; we will not be responsible for any damage resulting from improper packaging.
9. It is understood that any repair or replacement is the exclusive remedy available. There is no other expressed or implied warranty. hereby disclaims any and all implied warranties, including, but not limited to those of merchantability and fitness for a particular purpose to the extent permitted by law. Some states do not allow limitations on implied warranties. We will not be liable for incidental, consequential, or special damages arising out of or in conjunction with product use or performance, except as may otherwise be accorded by law. This warranty gives you special legal rights and you may also have other rights that vary from state to state.
10. A certain amount of wobble is normal and should not be considered a problem or a defect.

Table of Contents

Unpacking Instructions	4	How to Assemble Your Light Kit	12
Energy Efficient Use of Ceiling Fans	5	How to Operate Your Ceiling Fan	13
Electrical and Structural Requirements	5	Maintenance	14
How to Assemble Your Ceiling Fan	7	How to Clean Your Ceiling Fan Blades.....	14
How to Hang Your Ceiling Fan	9	Trouble Shooting	15
How to Wire Your Ceiling Fan	10	Parts List	16
How to Install Your Canopy Housing	11	Exploded-View Illustration	17
How to Assemble Your Ceiling Fan Blades	11		

This manual is designed to make it as easy as possible for you to assemble, install, operate and maintain your ceiling fan

Tools Needed for Assembly

- One Phillips head screwdriver
- One wire stripper
- One stepladder
- One 1/4" blade screwdriver
- Three wire connectors (supplied)

Materials

Wiring outlet box and box connectors must be of type required by the local code. The minimum wire would be a 3-conductor (2-wire with ground) of the following size:

Installed Wire Length	Wire Size A.W.G.
Up to 50 ft.	14
50-100 ft.	12

NOTE: Place the parts from the loose parts bags in a small container to keep them from being lost. If any parts are missing contact your local retailer.

⚠ WARNING

Before assembling your ceiling fan, refer to section on proper method of wiring your fan (page 10). If you feel you do not have enough wiring knowledge or experience, have your fan installed by a licensed electrician.

Unpacking Instructions

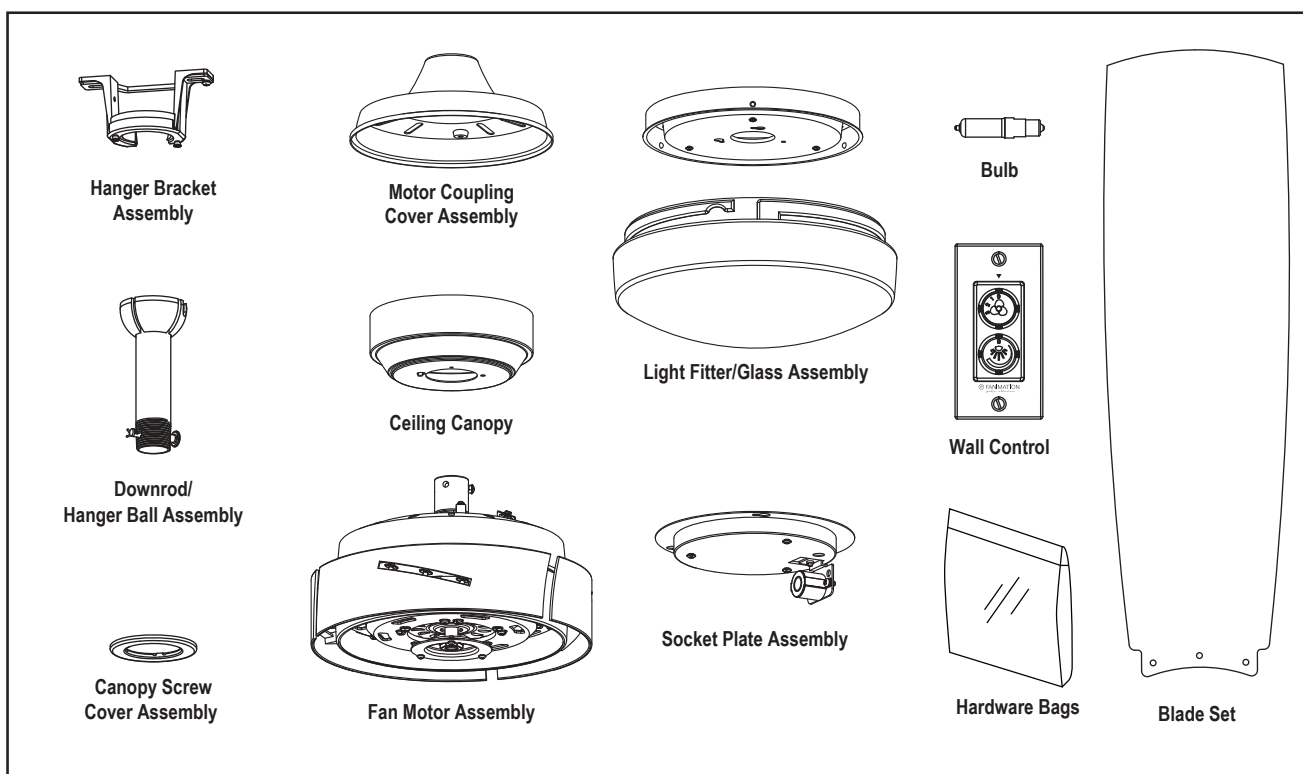
For your convenience, check-off boxes are provided next to each step. As each step is completed, place a check mark in the box. This will insure that all steps have been completed and will be helpful in finding your place should you be interrupted.

⚠ WARNING

Do not install or use fan if any part is damaged or missing. This product is designed to use only those parts supplied with this product and/or any accessories designated specifically for use with this product. Substitution of parts or accessories not designated for use with this product could result in personal injury or property damage.

- Fan Motor Assembly
 - Hanger Bracket Assembly
 - Downrod/Hanger Ball Assembly
 - Ceiling Canopy
 - Canopy Screw Cover Assembly
 - Motor Coupling Cover Assembly
 - Light Fitter/Glass Assembly
 - Socket Plate Assembly
 - Bulb
 - Wall Control
 - Blade Set
- Hardware bags:
 - 3/16"-24 washer head screws (blade to fan motor hub)
 - Fiber Washer
 - Wire Connectors
 - Balance Kit

1. Check to see that you have received the following parts:
- NOTE:** If you are uncertain of part description, refer to exploded view illustration.



Energy Efficient Use of Ceiling Fans

Ceiling fan performance and energy savings rely heavily on the proper installation and use of the ceiling fan. Here are a few tips to ensure efficient product performance.

Choosing the Appropriate Mounting Location

Ceiling fans should be installed, or mounted, in the middle of the room and at least 7 feet above the floor and 18 inches from the walls. If ceiling height allows, install the fan 8 - 9 feet above the floor for optimal airflow. Consult your Retailer for optional mounting accessories.

Turn Off When Not in the Room

Ceiling fans cool people, not rooms. If the room is unoccupied, turn off the ceiling fan to save energy.

Using the Ceiling Fan Year Round

Summer Season: Use the ceiling fan in the counter-clockwise direction. The airflow produced by the ceiling fan creates a wind-chill effect, making you "feel" cooler. Select a fan speed that provides a comfortable breeze, lower speeds consume less energy.

Winter Season: Reverse the motor and operate the ceiling fan at low speed in the clockwise direction. This produces a gentle updraft, which forces warm air near the ceiling down into the occupied space. Remember to adjust your thermostat when using your ceiling fan - additional energy and dollar savings could be realized with this simple step!

Electrical and Structural Requirements

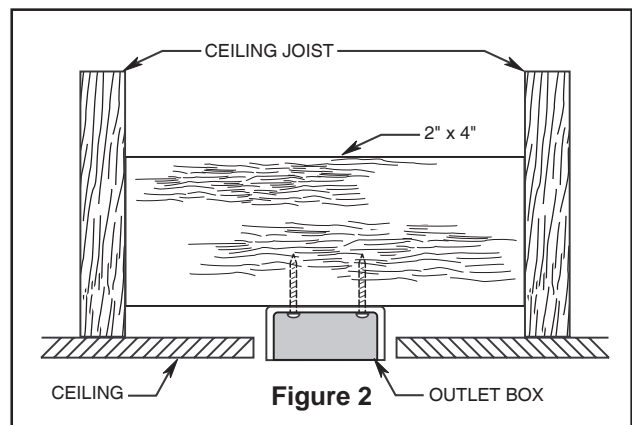
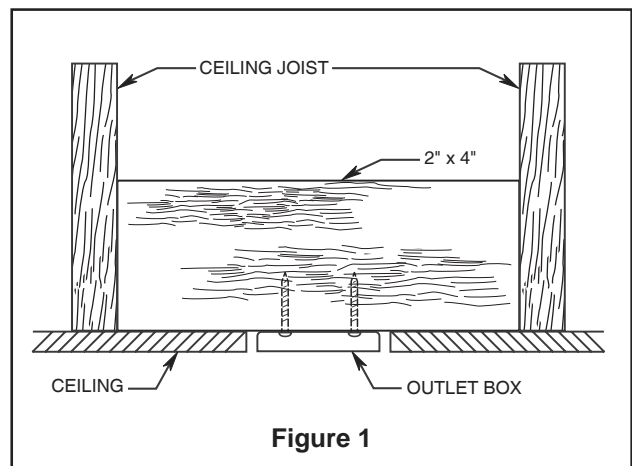
Your new ceiling fan will require a grounded electrical supply line of 120 volts AC, 60 HZ, 15 Amp Circuit. Electrical code requires use of a fan-rated outlet box to support the extra weight and motion associated with a ceiling fan. A fan-rated box will be labeled as such and typically supports up to a 70lb ceiling fan. Fan-Rated Outlet Boxes vary in ratings and design. Ensure the ratings of your ceiling fan outlet box meet the requirements for the ceiling fan being installed. Figure 1, Figure 2 and Figure 3 depicts different structural configurations that may be used for mounting the outlet box.

Low-profile use (Figure 1)

A 1/2-in.-deep pancake box is meant to be screwed to a joist or block. It's used if only one cable is coming into the box. It is also available in a saddle-mount configuration.

Deep-profile use (Figure 2)

A 2-1/4-in.-deep box can be attached to blocking between joists and is roomy enough to handle more than one cable.



Electrical and Structural Requirements (Continued)

Brace use (Figure 3)

Paired with a deep box, this hanger is meant to span between two joists and takes the place of wooden blocking.

WARNING

To reduce the risk of fire, electrical shock, or personal injury, mount fan to outlet box marked acceptable for fan support of 15.88 kg (35 lbs) or less. Use screws supplied with outlet box. Most outlet boxes commonly used for support of light fixtures are not acceptable for fan support and may need to be replaced. Consult a qualified electrician if in doubt.

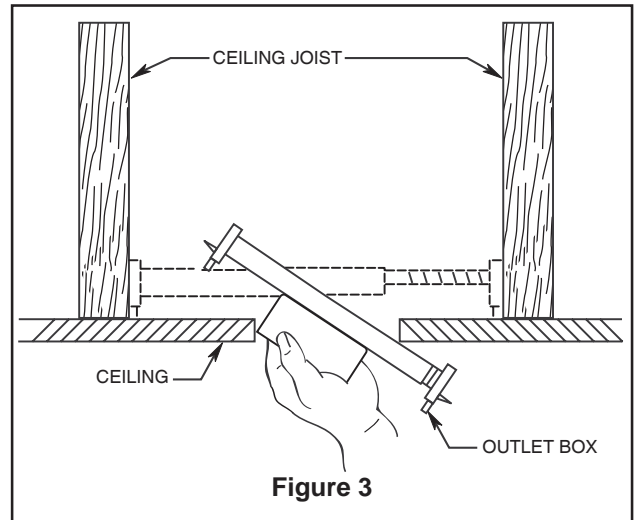
If your fan is to replace an existing light fixture, turn electricity off at the main fuse box at this time and remove the existing light fixture.

WARNING

Turning off wall switch is not sufficient. To avoid possible electrical shock, be sure electricity is turned off at the main fuse box before wiring. All wiring must be in accordance with National and Local codes and the ceiling fan must be properly grounded as a precaution against possible electrical shock.

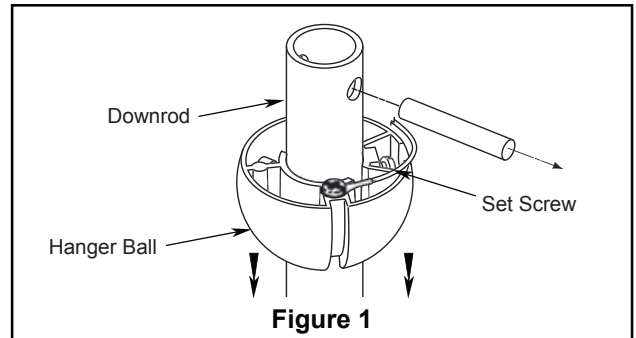
WARNING

To avoid fire or shock, follow all wiring instructions carefully. Any electrical work not described in these instructions should be done or approved by a licensed electrician.

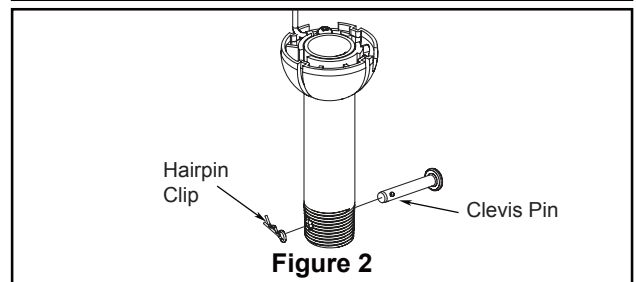


How to Assemble Your Ceiling Fan

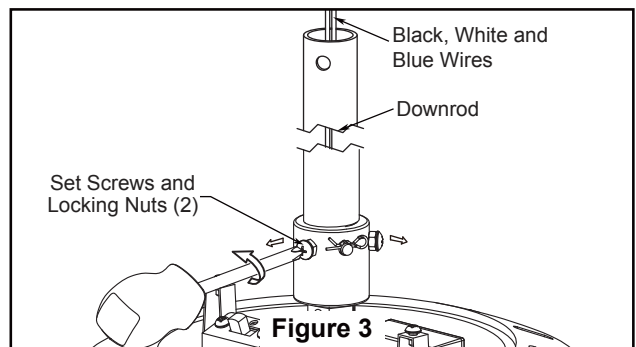
- 1. Remove the hanger ball portion from the downrod/hanger ball assembly by loosening the set screw in the hanger ball until the ball falls freely down the downrod. Remove the pin from the downrod, then remove the hanger ball. Retain the pin and hanger ball for reinstallation in Step 8. (Figure 1)



- 2. Remove the hairpin clip and clevis pin from the bottom of the downrod. Retain the pin and clip for reinstallation in Step 4. (Figure 2)



- 3. Loosen the two set screws and locking nuts in the downrod support of the motor assembly. Route the black, white and blue wires through the downrod. (Figure 3)

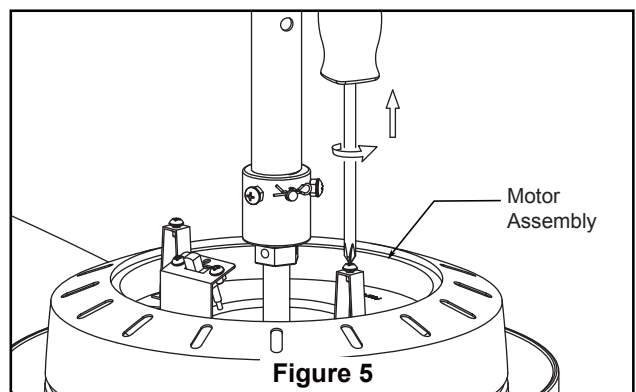
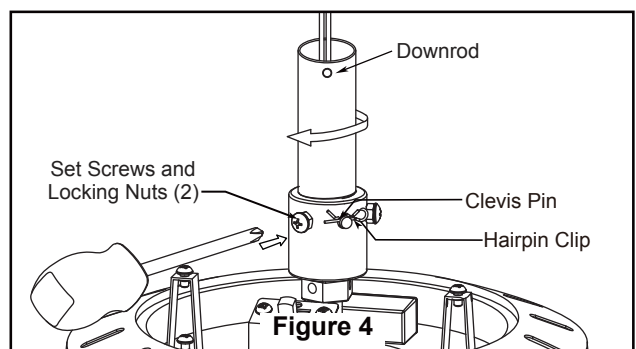


- 4. Thread downrod into the downrod support on top of the motor. Install the clevis pin by aligning the holes in the downrod support with holes in the downrod. Secure clevis pin with hairpin clip. Tighten the two set screws with nuts in the downrod support. (Figure 4)

⚠ WARNING

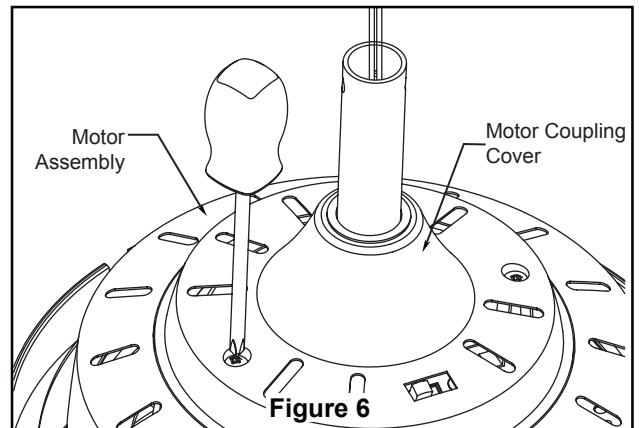
It is critical that the clevis pin in the downrod support is properly installed and the set screws and nuts are securely tightened. Failure to do so could result in the fan falling.

- 5. Remove the two screws in the motor assembly and retain for later. (Figure 5)

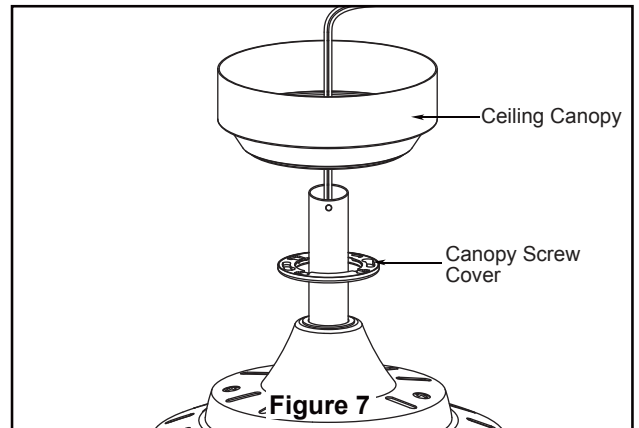


How to Assemble Your Ceiling Fan (continued)

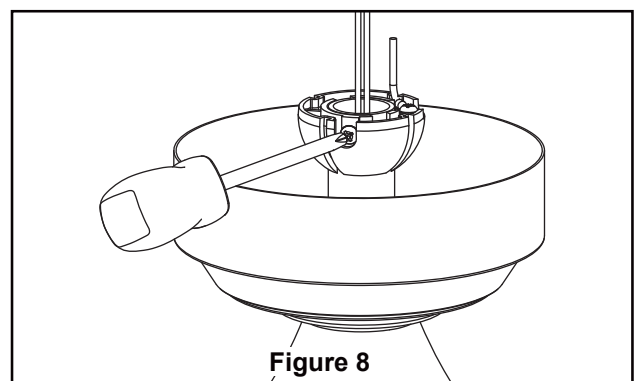
6. Route wires through motor coupling cover and use the two screws removed in the previous step to attach motor coupling cover to the motor assembly. (Figure 6)



7. Route wires through canopy screw cover and ceiling canopy. (Figure 7)

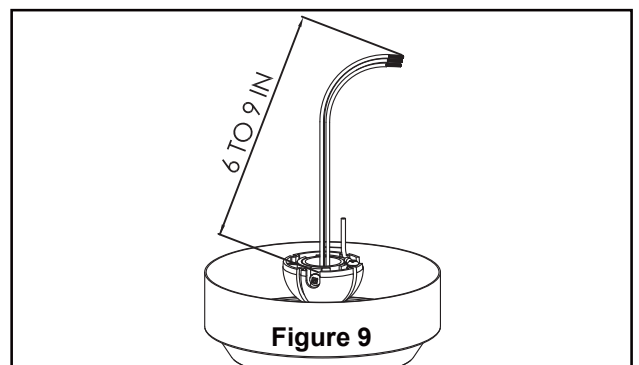


8. Reinstall the hanger ball on the downrod as follows. Route the black, white and blue wires through the hanger ball. Position the pin through the two holes in the downrod and align the hanger ball so the pin is captured in the groove in the top of the hanger ball. Pull the hanger ball up tight against the pin. Securely tighten the set screw in the hanger ball. A loose set screw could create fan wobble. (Figure 8)



9. Cut off excess lead wire approximately 6 to 9 inches above top of the top of the downrod. Strip insulation off 1/2 inch from the end of each lead wire. (Figure 9)

NOTE: All set screws must be checked, and retightened where necessary, before installation.



How to Hang Your Ceiling Fan

⚠ WARNING

To avoid possible fire or shock, be sure electricity is turned off at the main fuse box before hanging. (Figure 1)

NOTE: If you are not sure if the outlet box is grounded, contact a licensed electrician for advice, as it must be grounded for safe operation.

⚠ WARNING

The fan must be hung with at least 7' of clearance from floor to blades. (Figure 2)

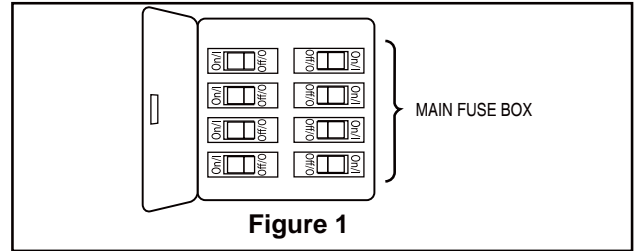


Figure 1

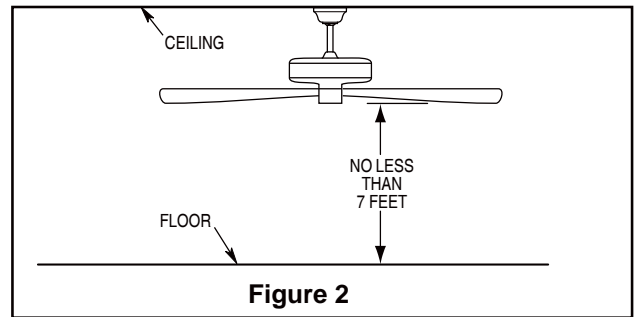


Figure 2

1. Securely attach the hanger bracket to the outlet box (not included) using the outlet box screws and washers supplied with the outlet box. (Figure 3)

⚠ WARNING

The outlet box must be securely anchored. Hanger bracket must seat firmly against outlet box. If the outlet box is recessed, remove wall board until bracket contacts box. If bracket and/or outlet box are not securely attached, the fan could wobble or fall.

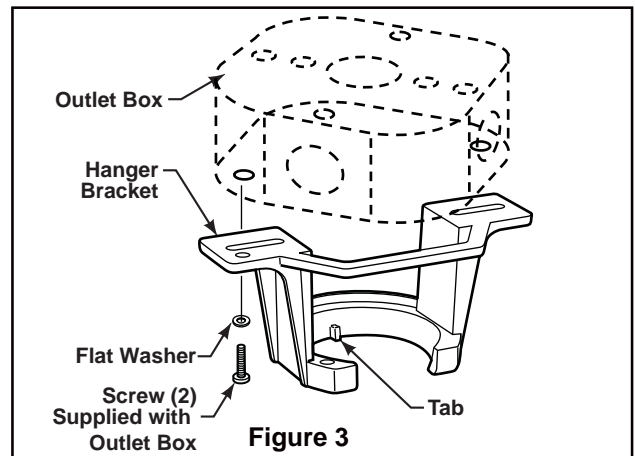


Figure 3

2. Carefully lift the fan and seat the downrod/hanger ball assembly on the hanger bracket that was just attached to the outlet box. Be sure the groove in the ball is lined up with tab on the hanger bracket. (Figure 4)
This fan is intended for standard and angled mounting options only. Closemount and flushmount options are not available. For angled ceilings, note the angle can be no more than 19°.

⚠ WARNING

Failure to seat tab in groove could cause damage to electrical wires and possible shock or fire hazard.

⚠ WARNING

To avoid possible shock, do not pinch wires between the hanger ball assembly and the hanger bracket.

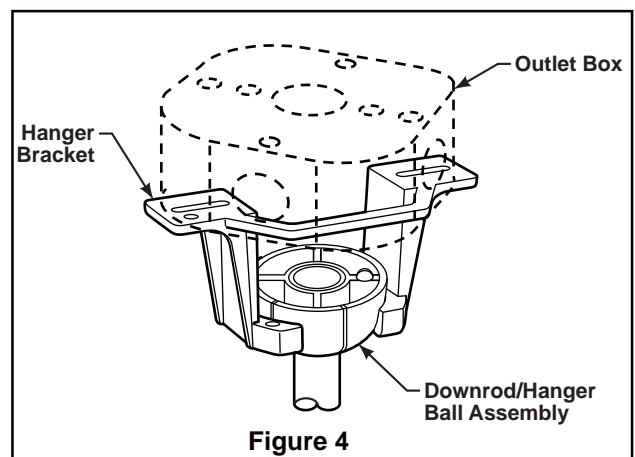


Figure 4

How to Wire Your Ceiling Fan

NOTE: If fan or supply wires are different colors than indicated, have this unit installed by a qualified electrician.

WARNING

To avoid possible electrical shock, be sure electricity is turned off at the main fuse box before wiring. (Figure 1).

NOTE: If you are not sure if the outlet box is grounded, contact a licensed electrician for advice, as it must be grounded for safe operation.

1. Disconnect the power and remove the existing wall plate and switch.
2. Set the knob and light switch of the wall-mounted control in the off (0) position.
3. Make wire connections and secure with wire nuts supplied. (Figure 2)
 - Connect the Black wire (AC IN L) from the wall-mounted control with the wire from the A. C. power supply.
 - Connect the Black wire (To Motor L) from the wall-mounted control with the Black wire from the ceiling fan.
 - Connect the White wire from the ceiling fan to the A. C. power supply.
 - Connect the Blue wire (To Light) from the wall-mounted control with the Blue wire from the ceiling fan.
 - Connect the green/yellow wire from the wall-mounted control with ceiling fan and ground wire from the A. C. power supply.
4. Carefully push all connected wires inside wall switch box.

WARNING

Check to see that all connections are tight, including ground, and that no bare wire is visible at the wire connectors, except for the ground wire. Do not operate fan unless blades are in place. Noise and fan damage could result.

- 5 Secure the wall-mounted control to the outlet box with two screws provided. Then, the face plate attaches the wall control with two painted screws. (Figure 3)

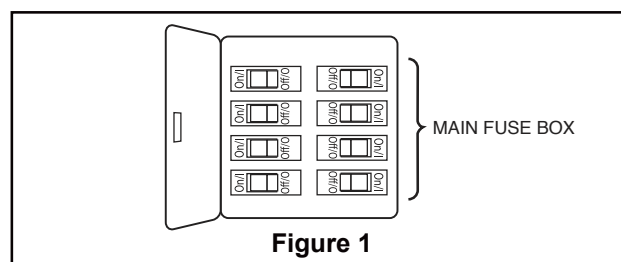


Figure 1

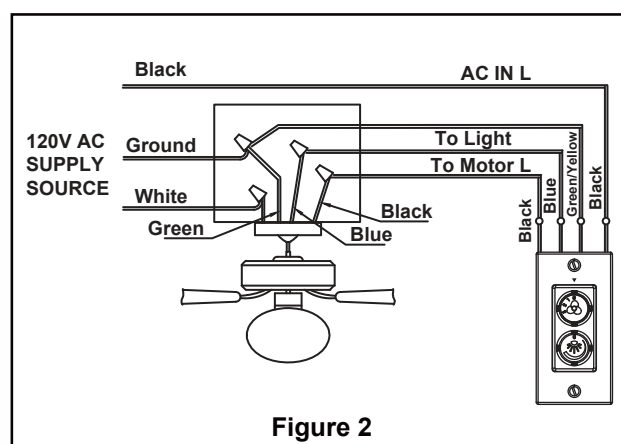


Figure 2

HARDWARE USED:

WIRE CONNECTORS  x 4

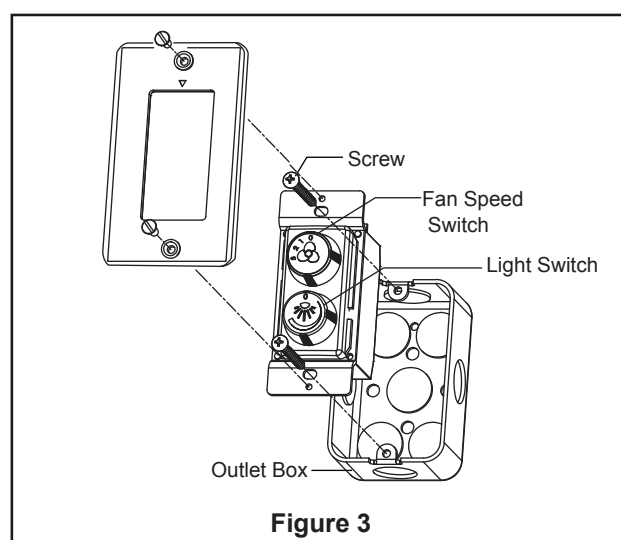


Figure 3

How to Install Your Canopy Housing

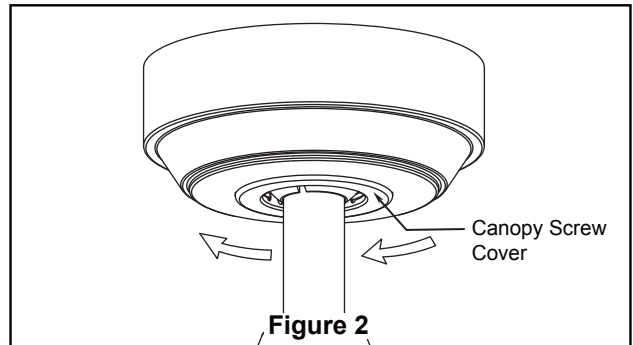
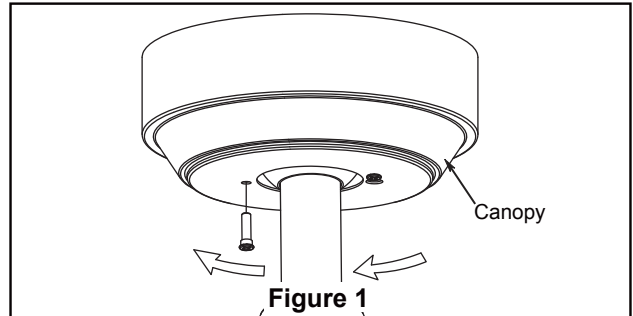
NOTE: This step is applicable *after* the necessary wiring is completed.

1. Remove one of the two shoulder screws in the hanger bracket. Loosen the second shoulder screw without fully removing it. Assemble canopy by rotating key slot in canopy over shoulder screw in hanger bracket. Tighten shoulder screw. Fully assemble and tighten second shoulder screw that was previously removed. (Figure 1)

⚠ WARNING

To avoid possible fire or shock, make sure that the electrical wires are completely inside the canopy housing and not pinched between the housing and the ceiling.

2. Securely attach and tighten the canopy screw cover over the shoulder screws in the hanger bracket utilizing the keyslot twist-lock feature. (Figure 2)



How to Assemble Your Ceiling Fan Blades

1. Slide blades through slots in the motor assembly and position over the threaded posts of the motor assembly. Make sure the bottom edge of the blades are fully seated against the flywheel of motor assembly. Tighten washer-head screws with fiberwashers to secure the blades to the threaded posts of motor assembly. (Figure 1)

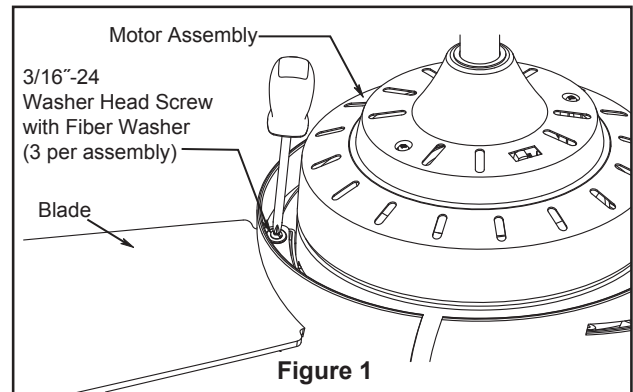
NOTE: Periodically check blade hardware and resecure if necessary.

⚠ WARNING

To reduce the risk of personal injury, do not bend the blade when installing, balancing the blades or cleaning the fan. Do not insert foreign objects in between the rotating blades.

CAUTION

To reduce the risk of electric shock, disconnect the electrical supply circuit to the fan before installing light kit.



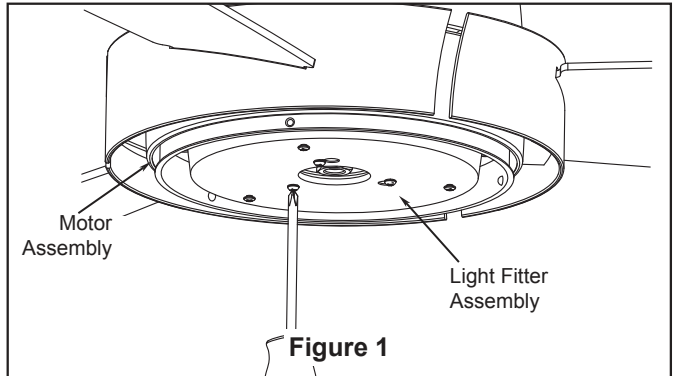
HARDWARE USED:

3/16"-24
Washer Head
Screw x 9

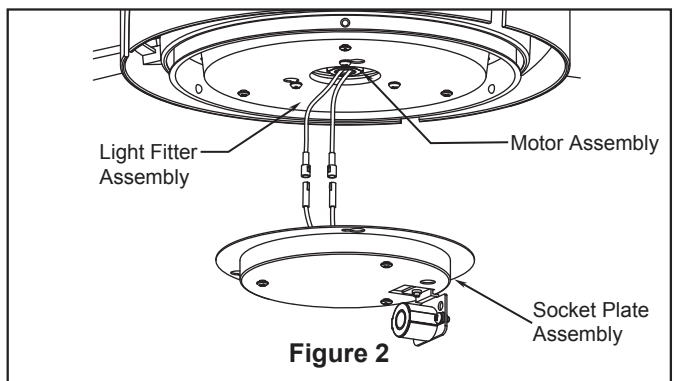
FIBER WASHER x 9

How to Assemble Your Light Kit

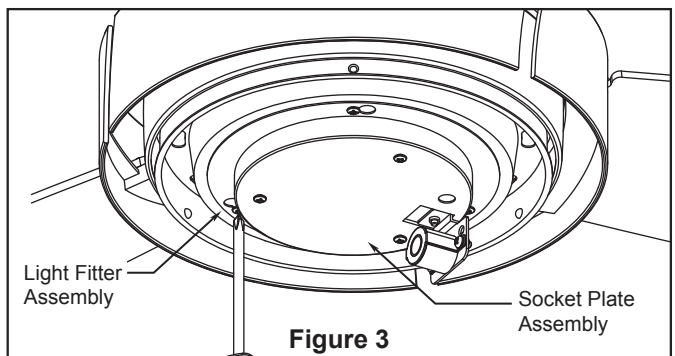
1. Remove one of the three screws inside the adaptor plate at the bottom of the motor assembly. Slightly loosen the remaining two screws. Assemble the light fitter assembly to the adaptor plate of the motor assembly using the two keyslots in the light fitter assembly. Replace the third screw and secure all three screws. (Figure 1)



2. Remove one of the three screws in the light fitter assembly and retain for later. Slightly loosen the remaining two screws. Connect the two single pin connectors from the socket plate assembly to the two single pin connectors from the motor assembly. (Figure 2)



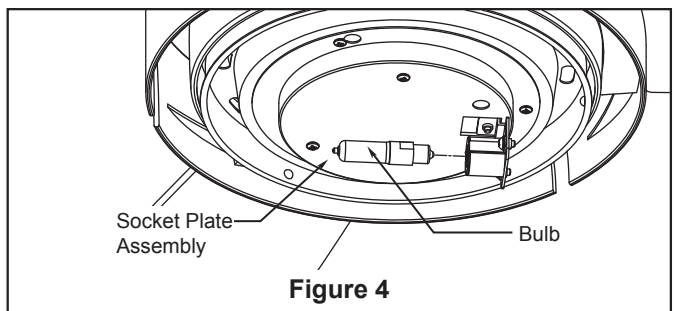
3. Assemble the socket plate assembly to the light fitter assembly using the two key slots in the socket plate assembly. Replace the third screw and secure all three screws. (Figure 3)



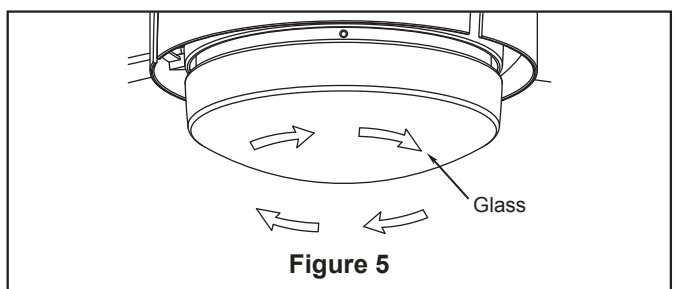
4. Insert light bulb into socket. (Figure 4)

CAUTION

To reduce the risk of fire, use 100-watt max. type T4-minican JD E11 tungsten halogen bulb. Turn off the wall switch and allow the bulb to cool for 10 minutes before relamping. Bulb is pressurized and may shatter. DO NOT TOUCH BULB WITH BARE HANDS. Fingerprints may result in shorter bulb life. Remove fingerprints with alcohol prior to use.




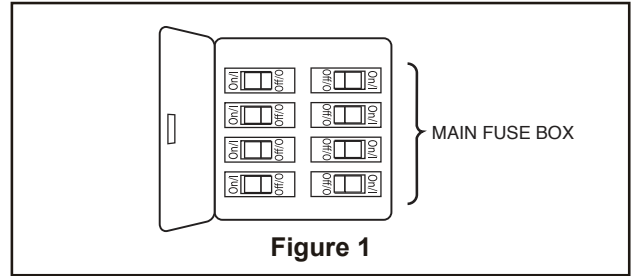
5. Securely attach glass by twisting clockwise onto the light fitter assembly. Don't overtighten or force it. (Figure 5)



How to Operate Your Ceiling Fan

1. Restore electrical power to the outlet box by turning the electricity on at the main fuse box. (Figure 1)

 WARNING
<p>Check to see that all connections are tight, including ground, and that no bare wire is visible at the wire connectors, except for the ground wire. Do not operate fan until the blades are in place. Noise and fan damage could result.</p>



2. Wall control functions: (Figure 2)

• Fan Speed Switch:

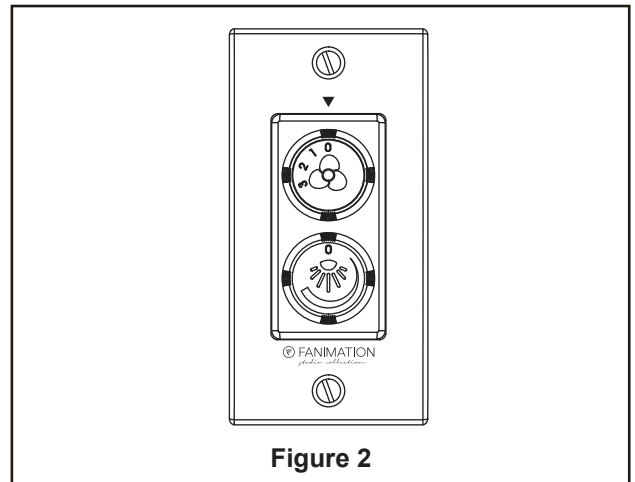


- 0: Power Off
- 1: Low Speed
- 2: Medium Speed
- 3: High Speed

• Light Switch:

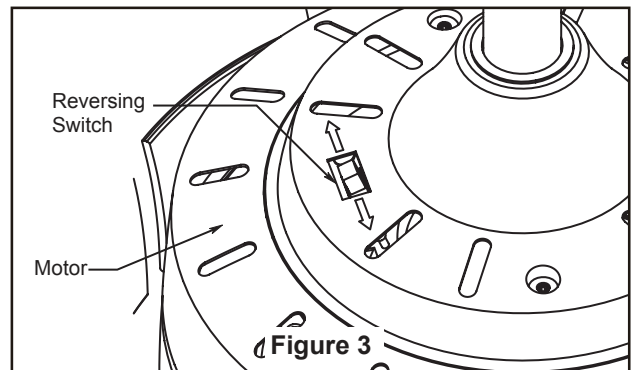


- 0: POWER OFF,
- Turn switch counterclockwise to increase light and clockwise to dim it.



3. If airflow is desired in the opposite direction, turn the fan off and wait for the blades to stop turning. Then, slide the reverse switch on top of motor assembly to the opposite position and turn fan on again. (Figure 3)

Reverse Switch Information		
Season	Rotation Direction	Switch Position
Summer	Counterclockwise	Left
Winter	Clockwise	Right



Maintenance

1. Periodic cleaning of your new ceiling fan is the only maintenance that is needed. When cleaning, use only a soft brush or lint free cloth to avoid scratching the finish. Abrasive cleaning agents are not required and should be avoided to prevent damage to finish.

CAUTION
Do not use water when cleaning your ceiling fan. It could damage the motor or the finish and create the possibility of electrical shock.

How to Clean Your Ceiling Fan Blades

Periodic light dusting of the blades is recommended. A feather duster will work best.

Avoid using water, cleansers, or harsh rags, which can warp and ruin the finish.

Trouble Shooting

⚠ WARNING

For your own safety turn off power at fuse box or circuit breaker before trouble shooting your fan.

Trouble	Probable Cause	Suggested Remedy
1. FAN WILL NOT START	<ol style="list-style-type: none"> 1. Fuse or circuit breaker blown. 2. Loose power line connections to the fan, or loose switch wire connections in the switch housing. 3. Reversing switch in neutral position. 	<ol style="list-style-type: none"> 1. Check main and branch circuit fuses or circuit breakers. 2. Check line wire connections to fan and switch wire connections in the switch housings. CAUTION: Make sure main power is turned off ! 3. Make sure reversing switch position is all the way to one side.
2. FAN SOUNDS NOISY	<ol style="list-style-type: none"> 1. Blades not attached to fan. 2. Loose screws in motor housing. 3. Screws securing fan blade holders to motor flywheel are loose. 4. Wire connectors inside housing rattling. 5. Motor noise caused by solid state variable speed control. 	<ol style="list-style-type: none"> 1. Attach blades to fan before operating. 2. Check to make sure all screws in motor housing are snug (do not overtighten). 3. Check to make sure the screws which attach the fan blade holders to the motor flywheel are tight. 4. Check to make sure wire connectors in switch housing are not rattling against each other or against the interior wall of the switch housing. CAUTION: Make sure main power is turned off ! 5. Some fan motors are sensitive to signals from solid-state variable speed controls. Solid-state controls are not recommended, choose an alternative control method.
3. FAN WOBBLER EXCESSIVELY	<ol style="list-style-type: none"> 1. Setscrew in downrod support is loose. 2. Setscrew in downrod/hanger ball assembly is loose. 3. Screws securing fan blade holders to blades are loose. 4. Hanger bracket and/or ceiling outlet box is not securely fastened. 5. Fan blades out of balance. 	<ol style="list-style-type: none"> 1. Tighten both setscrews securely in downrod support. 2. Tighten the setscrew in the downrod/hanger ball assembly. 3. Check to be sure screws which attach the fan blade holders to the blades are tight. 4. Tighten the hanger bracket screws to the outlet box, and secure outlet box. 5. Balance blades using balance kit provided in hardware bag.
4. NOT ENOUGH AIR MOVEMENT		<ol style="list-style-type: none"> 1. If possible, consider using a longer downrod (not included, you can buy the longer downrod).

Parts List

Model No. LP8081**

Reference #	Description	Part #
1	Hanger Bracket Assembly	APGAC110RBL
2	Hanger Ball/Downrod Assembly	ADRAC4GT1-45**
3	Canopy	P806308**
4	Canopy Screw Cover Assembly	APPAC1101**
5	Motor Coupling Cover	AP807101**
6	Fan Motor Assembly	AMA8081**
7	Blade Set	AP807106**
8	Light Fitter/Glass Assembly	AP807109**
9	Socket Plate Assembly	AP807108WH
10	Bulb	PPE11B100
11	Wall Control	CW60WH-8081
12	Loose Hardware Bag:	HDWLP8081**
—	Balance Kit	—
—	Wire Connectors (4)	—
	Blade Mounting Hardware Bag:	
—	Washer Head Screws 3/16"-24 (10)	—
—	Fiber Washers (10)	—

** Insert FINISH CODES (Refer to fan model number located on downrod support)
Before discarding packaging material, be certain all parts have been removed.

HOW TO ORDER REPAIR PARTS

When ordering repair parts, always give the following information:

- Part Number
- Part Description
- Fan Model Number

Contact your retail store for repair parts.

Coop™
Model LP8081**
Exploded-View Illustration

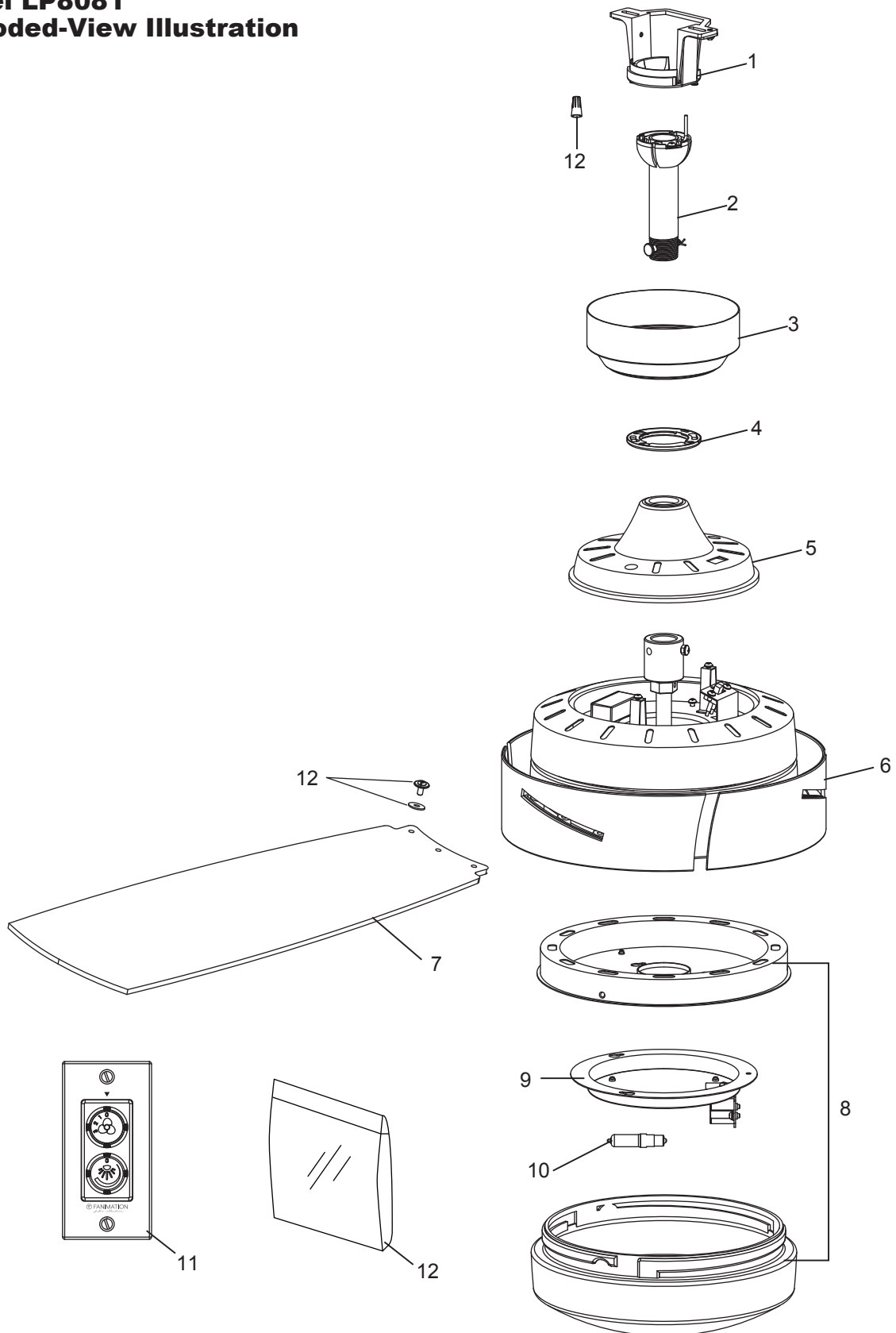


Figure 1

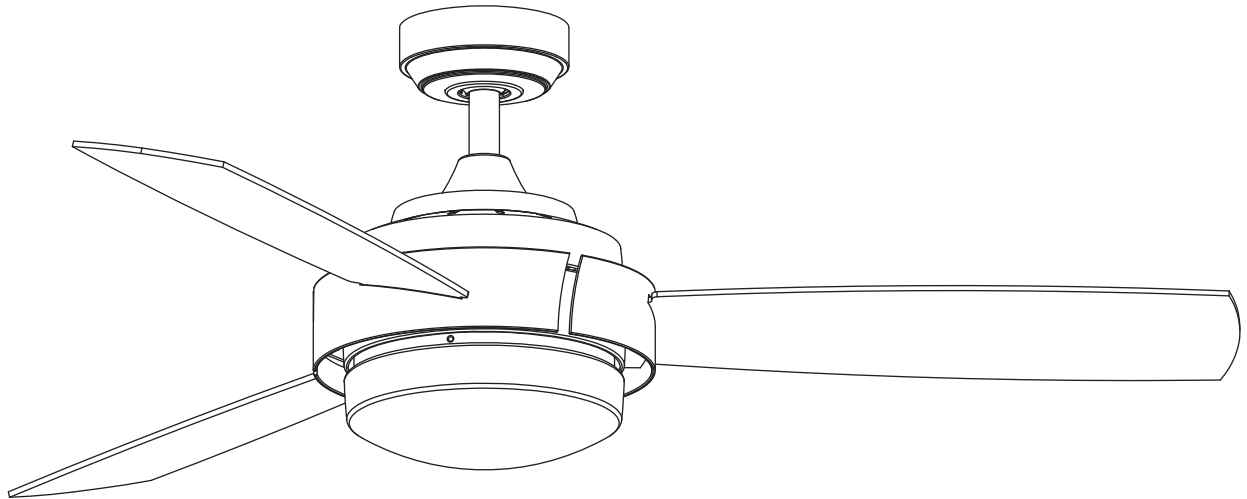
NOTE: The illustration shown is not to scale or its actual configuration may vary. Product/parts are subject to change without notice.



FANIMATION
studio collection

VENTILADOR DE TECHO COOP™

MODELO #LP8081**



Adjunte su recibo AQUÍ
LEA Y GUARDE ESTAS INSTRUCCIONES

Número de serie _____ Fecha de compra _____ Peso neto 9.56 kg (21.08 lbs)



Preguntas, problemas, piezas faltantes? Antes de volver a la tienda, llame a nuestro Departamento de Servicio al Cliente al 1-888-567-2055, 8 a.m. - 5 pm, hora del Este, de lunes - viernes.

Instrucciones de seguridad importantes

ADVERTENCIA: Siga estas instrucciones para prevenir incendios, descargas eléctricas y lesiones personales graves.

1. Lea el manual del propietario y la información de seguridad antes de instalar su nuevo ventilador. Observe los diagramas de ensamblaje adjuntos.
2. Antes de llevar a cabo el mantenimiento o la limpieza de la unidad, desconecte la electricidad en el panel de servicio y bloquee los medios de desconexión del mismo para evitar que se active accidentalmente. Si no se pueden bloquear los medios de desconexión del servicio, coloque un dispositivo de advertencia, como una etiqueta, en el panel de servicio.
3. Tenga cuidado con la estructura y las aspas del ventilador cuando limpie, pinte o trabaje cerca del mismo. Desconecte siempre la electricidad del ventilador de techo antes de llevar a cabo el mantenimiento.
4. No coloque nada en las aspas del ventilador cuando éste se encuentra en funcionamiento.
5. El dispositivo no ha sido diseñado para ser utilizado por niños o personas enfermas sin supervisión. Los niños deben ser supervisados para asegurarse de que no juegan con el dispositivo.

Instrucciones de seguridad adicionales

1. Para evitar posibles descargas eléctricas, asegúrese de que la electricidad esté desconectada en la caja de fusibles antes de realizar la instalación eléctrica, y no haga funcionar el ventilador sin las aspas.
2. Todos los procedimientos de conexión eléctrica e instalación deben cumplir con los Códigos eléctricos nacionales (ANSI/NFPA 70-1999) y Códigos locales. El ventilador de techo debe estar conectado a tierra a fin de prevenir posibles descargas eléctricas. La instalación eléctrica debe ser llevada a cabo o aprobada por un electricista autorizado.
3. Se debe fijar bien la base del ventilador; ésta debe ser capaz de soportar sin problemas al menos 15,9 kg (35 lb). Consulte la página 24 del manual del propietario para ver los requisitos de soporte. Si tiene dudas, consulte a un electricista calificado.
4. Las aspas del ventilador deben instalarse por lo menos a 2,13 m (7 pies) del suelo, a fin de evitar un contacto accidental con las mismas.
5. Siga las recomendaciones sobre el método correcto de instalación eléctrica de su ventilador de techo. Si no posee la experiencia o los conocimientos eléctricos adecuados, contrate a un electricista autorizado para instalar el ventilador.
6. Apto para usar con controles de velocidad de estado sólido.
7. Este ventilador sólo es adecuado para secos.
8. En lo que respecta a las conexiones de suministro, si el conductor del ventilador está identificado como conductor con conexión a tierra, se le debe conectar a un suministro de electricidad con conductor de puesta a tierra. Si el conductor del ventilador está identificado como conductor que no es de puesta a tierra, se le debe conectar a un suministro de electricidad con conductor sin puesta a tierra. Si el conductor del ventilador está identificado para equipos de puesta a tierra, se le debe conectar al conductor de equipos de puesta a tierra.

ADVERTENCIA: PARA REDUCIR EL RIESGO DE DESCARGAS ELÉCTRICAS, ESTE VENTILADOR SE DEBE INSTALAR CON UN CONTROL/INTERRUPTOR DE PARED AISLADO.

ADVERTENCIA: Este producto está diseñado para ser usado sólo con las piezas suministradas o los accesorios indicados específicamente para el mismo. Si utiliza piezas o accesorios que no están indicados para su uso con este producto, podría sufrir lesiones personales o dañar el ventilador.

ADVERTENCIA: No utilice este ventilador con un controlador variable de pared (Rheostat) o un regulador de intensidad. Si lo hiciera podría dañar la unidad del mando a distancia del ventilador de techo.

GARANTÍA LIMITADA DE POR VIDA

S

1. GARANTÍA LIMITADA DE POR VIDA DEL MOTOR - Si se produjera una falla en alguna de las partes del motor de su ventilador debido a un defecto en los materiales o en la fabricación durante el tiempo de vida del comprador original, proporcionará la pieza de repuesto sin cargo una vez que el ventilador defectuoso sea devuelto a nuestro centro de servicios nacional. Se requiere comprobante de venta. El cliente se hará responsable de todos los gastos de remoción o reinstalación y envío del producto para reparaciones o sustitución.
2. GARANTÍA DE MANO DE OBRA DEL MOTOR POR UN AÑO - Si el motor de su ventilador fallara antes de cumplirse un año a partir del momento de su compra original debido a defectos en los materiales o en la fabricación, se le efectuará la reparación del mismo sin cargo en nuestro centro de servicios nacional. El comprador se hará responsable de los gastos de mano de obra luego del período de un año. El cliente se hará responsable de todos los gastos de remoción o reinstalación y envío del producto para reparaciones o sustitución.
3. Si otra pieza del ventilador fallara dentro del período de un año a partir de la fecha de compra original debido a un defecto en los materiales o en la fabricación, repararemos o sustituiremos, según creamos conveniente, la pieza defectuosa sin cargo alguno en nuestro centro de servicios nacional.
4. Debido a las diversas condiciones climáticas, esta garantía no cubre cambios en la terminación, incluidos oxidación, corrosión, falta de brillo o peladuras.
5. Esta garantía es nula y no se aplica a daños por instalación incorrecta, negligencia, accidentes, uso indebido, exposición al calor o a la humedad en exceso, o como resultado de cualquier modificación realizada al producto original.
6. Todos los gastos de remoción y reinstalación del ventilador son responsabilidad exclusiva del propietario, y no de la tienda que vendió el ventilador ni de .
7. se reserva el derecho de modificar o discontinuar un producto en cualquier momento, o sustituir cualquier pieza según lo establecido por esta garantía.
8. En ningún caso se podrá devolver un ventilador sin previa autorización por parte de . Las devoluciones autorizadas deberán ir acompañadas del recibo de venta y deberán enviarse a , previo pago del flete. El ventilador que se devuelva deberá estar embalado en forma adecuada a fin de evitar daños durante el transporte. no se hará responsable de los daños que resulten del embalaje incorrecto del producto.
9. Se entiende que las reparaciones y las sustituciones son el único recurso disponible de . No existe ninguna otra garantía expresa o implícita. Por la presente, niega todas las garantías implícitas, que incluyen, entre otras, la comerciabilidad y la aptitud para determinado fin hasta donde la ley lo permita. Algunos estados no permiten limitaciones sobre las garantías implícitas. no se hará responsable por daños accidentales, resultantes o especiales derivados del uso o el rendimiento del producto o en conjunción con éste, excepto en los casos en los que la ley así lo disponga. Esta garantía le otorga derechos legales especiales y es posible que también goce de otros derechos que pueden variar según el estado.
10. Es normal que se produzca un cierto movimiento oscilante y esto no debe considerarse un problema o defecto.

Tabla de contenidos

Instrucciones para el desempaque.	23	Cómo ensamblar las aspas del ventilador de techo	30
Uso eficiente de la energía en ventiladores de techo. . .	24	Cómo ensamblar su el kit de iluminación	31
Requisitos eléctricos y estructurales.	24	Mantenimiento.	33
Cómo ensamblar el ventilador de techo.	26	Limpieza de las aspas	33
Cómo colgar el ventilador de techo	28	Solución de problemas.	34
Cómo realizar la instalación eléctrica del ventilador de		Lista de piezas.	35
techo.	29	Ilustración del despiece	36
Cómo instalar la carcasa de la cubierta	30		

Este manual está diseñado para facilitar al máximo el ensamblaje, la instalación, el funcionamiento y el mantenimiento de su ventilador de techo.

Herramientas necesarias para el ensamblaje

- Destornillador Phillips
- Escalera de tijera
- Destornillador de ¼"
- Pelacables
- Tres conectores de cables (incluidos)

Materiales

La caja de distribución eléctrica y los conectores de la caja deben ser del tipo requerido por el código local. El cable más pequeño debe ser un cable de tres conductores (de dos conductores con conexión a tierra) del siguiente tamaño:

longitud del cable instalado	tamaño del cable según el A.W.G. (Calibre de Alambre Estadounidense)
hasta 15,2 m (50 pies)	14
de 15,2 a 30,5 m (50 a 100 pies)	12

NOTA: coloque las piezas de las bolsas de piezas individuales en un contenedor pequeño para evitar que se extravíen. Si faltan piezas, póngase en contacto con su proveedor local.

⚠ ADVERTENCIA

Antes de ensamblar el ventilador de techo, consulte la sección sobre el método correcto de instalación eléctrica del ventilador (página 29). Si siente que no posee la experiencia o los conocimientos eléctricos necesarios, contrate a un electricista autorizado para instalar el ventilador.

Instrucciones para el desempaque

Para su comodidad, marque cada uno de los pasos. A medida que completa cada paso, coloque una marca de verificación. Con esto se asegurará de completar todos los pasos y podrá saber desde dónde retomar si fuera interrumpido.

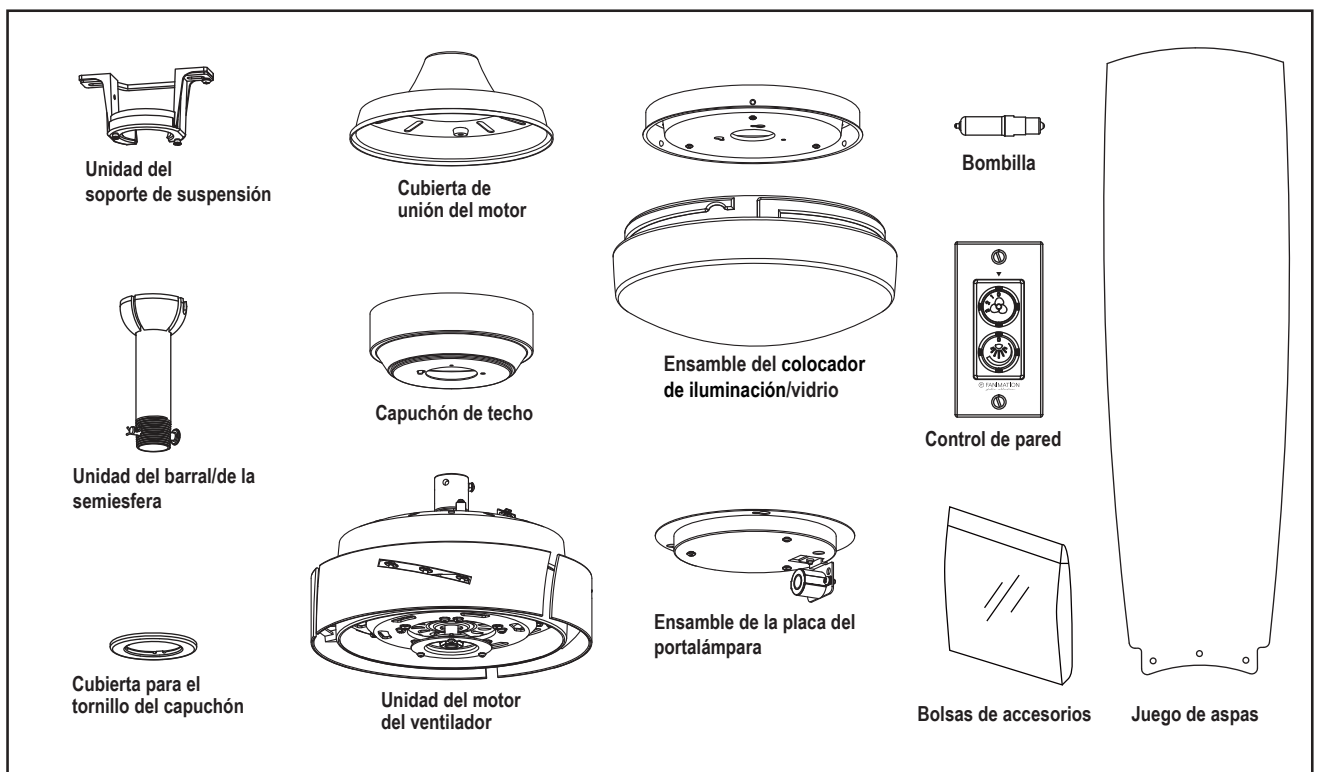
⚠ ADVERTENCIA

No instale o utilice el ventilador si falta alguna pieza o si hay piezas dañadas. Este producto está diseñado para ser usado sólo con las piezas suministradas o los accesorios indicados por específicamente para el mismo. La sustitución de piezas o accesorios no designados por para usarse con este producto podría ocasionar lesiones personales o daños en el ventilador. Póngase en contacto con su tienda si faltan piezas o hay piezas dañadas.

- Unidad del soporte de suspensión
 - Unidad del barral/de la semiesfera
 - Cubierta para el tornillo del capuchón
 - Cubierta de unión del motor
 - Capuchón de techo
 - Unidad del motor del ventilador
 - Ensamble del colocador de iluminación /vidrio
 - Ensamble de la placa del portalámpara
 - Juego de aspas
 - Bombilla
 - Control de pared
 - Bombilla
 - Control de pared
 - Bombilla
 - Control de pared
- Bolsas de accesorios:
- Tornillos 3/16"-24 (aspas a buje del motor)
 - Arandela de fibra
 - Cuatro conectores de cables
 - Kit de balanceo

1. Verifique que haya recibido las siguientes piezas:

NOTA: Si no está seguro de la descripción de una pieza, consulte la ilustración del despiece.



Uso eficiente de la energía en ventiladores de techo

El nivel de rendimiento y ahorro de energía de los ventiladores de techo dependen de su correcta instalación y uso. A continuación le presentamos algunas sugerencias para asegurar un rendimiento eficiente del producto.

Selección del lugar de montaje adecuado

Los ventiladores de techo se deben instalar en el centro de la habitación, a 2,13 m (7 pies) de altura del piso como mínimo y 0,5 m (18 pulgadas) de las paredes. Si la altura del techo lo permite, instale el ventilador a 2,5 m (8-9 pies) por encima del suelo para un flujo de aire óptimo. Consulte en su tienda minorista de para obtener accesorios de montaje opcionales.

Apague el ventilador cuando no se encuentre en la habitación

Los ventiladores son para refrescar a la gente, no a las habitaciones. Si la habitación está vacía, apague el ventilador de techo para ahorrar energía.

Uso del ventilador de techo todo el año

En verano: Use el ventilador de techo en sentido contrario a las agujas del reloj. El flujo de aire que produce el ventilador creará un efecto frío del aire que lo refrescará más. Seleccione una velocidad que le proporcione una brisa confortable. Las velocidades más bajas consumen menos energía.

En invierno: Invierta el motor y haga funcionar el ventilador de techo a velocidad baja y en el sentido de las agujas del reloj. Esto produce una suave corriente ascendente, que obliga al aire cálido que se acumula cerca del techo a bajar al espacio ocupado. No olvide ajustar el termostato cuando utilice el ventilador de techo. Con este sencillo paso puede ahorrar energía adicional y dinero.

Requisitos eléctricos y estructurales

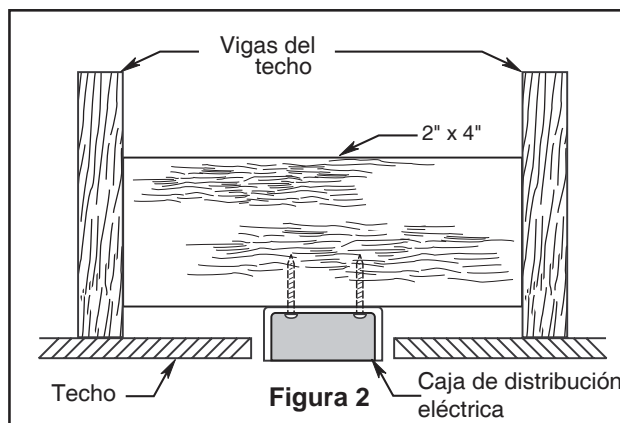
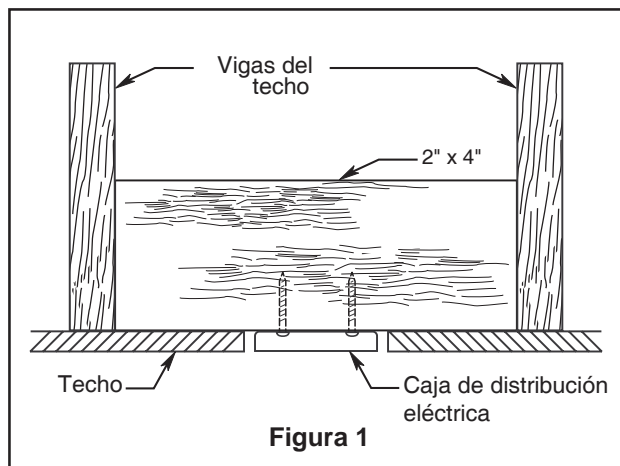
Su nuevo ventilador de techo requiere una línea de suministro eléctrico con conexión a tierra de 120 voltios de CA, 60 Hz, circuito de 15 amperios. La normativa eléctrica requiere el uso de una caja de distribución eléctrica para ventiladores que soporte el peso extra y el movimiento asociado a un ventilador de techo. La caja de distribución eléctrica será etiquetada como tal y soportará un ventilador de techo de un peso de hasta 70 libras. Dichas cajas varían en tipos y diseños. Asegúrese de que el tipo de su caja reúne los criterios para el ventilador que se está instalando. Las ilustraciones 1, 2 y 3 muestran las diferentes configuraciones estructurales que pueden ser utilizadas para dicha caja de distribución eléctrica.

Uso de perfil bajo (Figura 1)

La caja lisa de 1/2 pulgada de profundidad será atornillada a una viga o bloque. Se utilizará si solo un cable va a ser introducido en la caja. También está disponible en una configuración de montaje endosado.

Uso de perfil profundo (Figura 2)

La caja de 2-1/4 pulgada será atornillada a un bloque entre vigas que tenga suficiente espacio para colocar más de un cable.



Requisitos eléctricos y estructurales (cont.)

Uso del soporte (Figura 3)

Conectado a una caja de distribución eléctrica, este colgador sirve para abarcar el espacio entre dos vigas y ocupar el lugar de bloqueo de la madera.

⚠ ADVERTENCIA

Para reducir el riesgo de incendios, descargas eléctricas o lesiones personales, fije el ventilador a la caja de distribución eléctrica marcada como aceptable para soporte de ventilador de 15,88kg (35lb). Utilice los tornillos suministrados con la caja de distribución eléctrica. La mayoría de las cajas de distribución eléctrica que comúnmente se utilizan como soporte de lámparas no son aptas para soporte de ventiladores y es posible que deban reemplazarse. Consulte a un electricista calificado si tiene dudas.

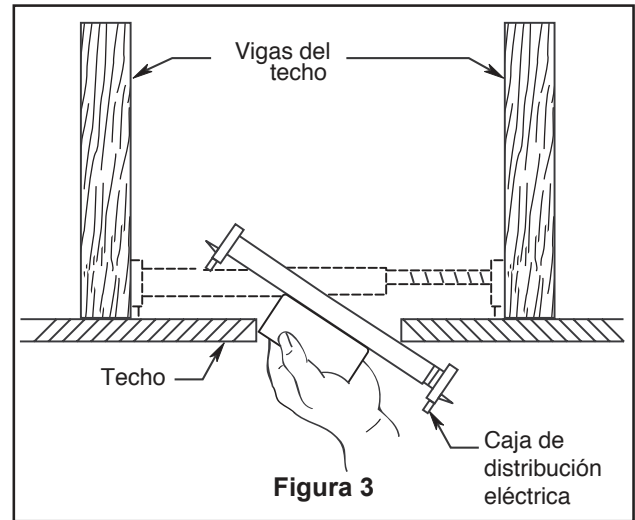
Si su ventilador va a sustituir una instalación de iluminación existente, desconecte la electricidad de la caja del fusible principal en esta ocasión y extraiga la unidad de iluminación.

⚠ ADVERTENCIA

Apagar el interruptor de pared no es suficiente. Para evitar posibles descargas eléctricas, asegúrese de que la electricidad esté desconectada en la caja de fusibles principal antes de realizar la instalación eléctrica. Toda instalación eléctrica debe cumplir con los códigos nacionales y locales y el ventilador de techo debe tener la conexión a tierra adecuada como forma de precaución ante posibles descargas eléctricas.

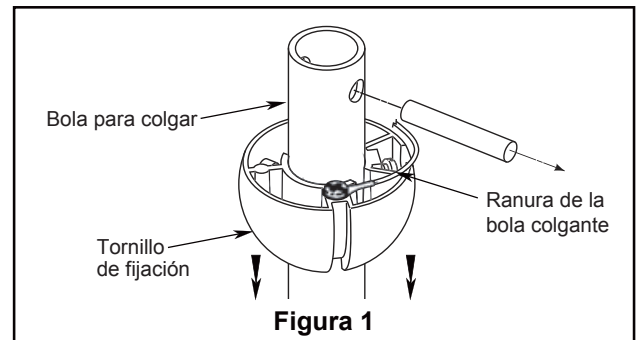
⚠ ADVERTENCIA

A fin de evitar incendios o descargas eléctricas, siga con cuidado todas las instrucciones de instalación eléctrica. Cualquier trabajo eléctrico que no se describa en estas instrucciones deberá ser realizado o aprobado por un electricista autorizado.

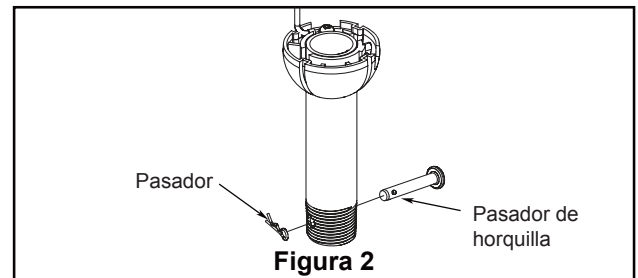


Cómo ensamblar el ventilador de techo

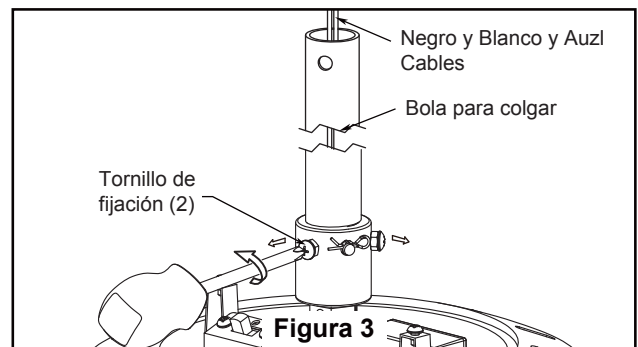
1. Extraiga la pieza de la bola colgante de la unidad de la bola colgante / varilla aflojando el tornillo de presión de la bola colgante hasta que la bola se libere de la varilla. Retire el pasador del barral y luego extraiga la semiesfera. Conserve el pasador y la semiesfera para su reinstalación en el Paso 8 (Figura 1).



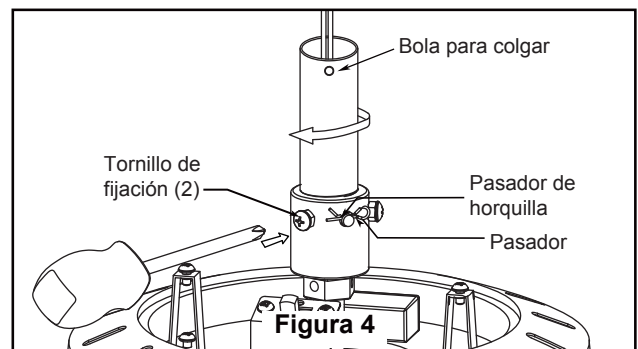
2. Retire el clip de horquilla y pasador de horquilla de la parte inferior de la bola para colgar. Retener el pasador y clip para la reinstalación en el paso 4. (Figura 2)



3. Afloje los dos tornillos de fijación del soporte del barral. Introduzca los cables de color negro, blanco y azul de soporte para techo a través de la varilla. (Figura 3)

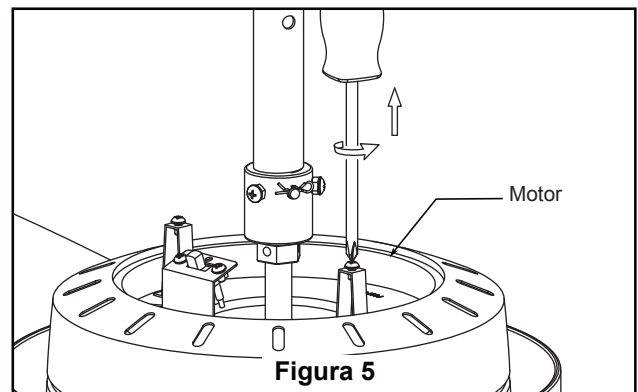


4. Enrosque el soporte de la varilla y alinee los orificios de la clavija de horquilla en ambas piezas. Instale la clavija de horquilla y asegúrela con la pinza de horquilla. Fije los dos tornillos de presión y las tuercas de seguridad en el soporte de la varilla interior. (Figura 4)



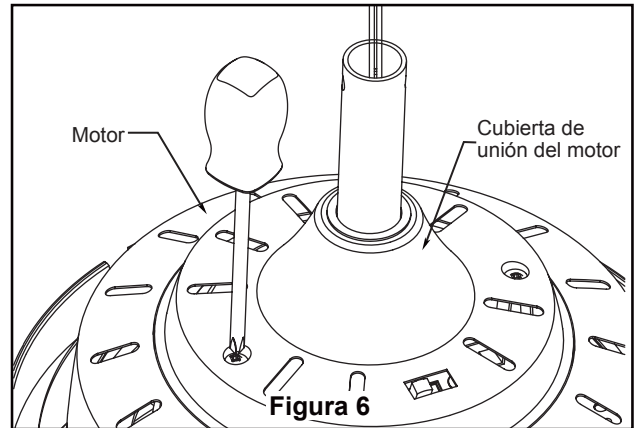
⚠ ADVERTENCIA
Es fundamental que instale correctamente el pasador de horquilla en el soporte de la varilla, y que ajuste firmemente los tornillos de fijación y las tuercas. El incumplimiento de dicho paso podría hacer que el ventilador se caiga.

5. Retire los dos tornillos en el ensamblaje del motor, y guárdelos para después. (Figura 5)

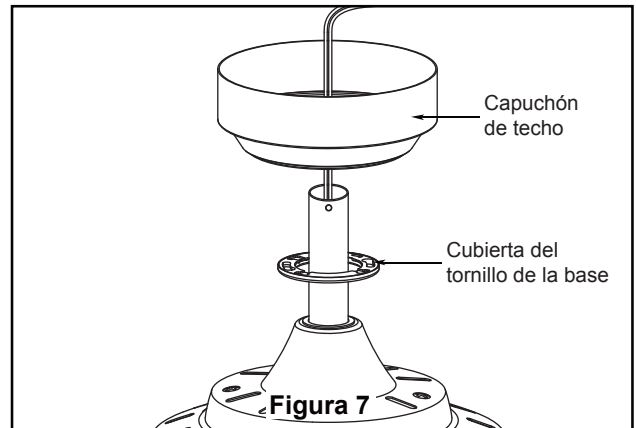


Cómo ensamblar el ventilador de techo (cont.)

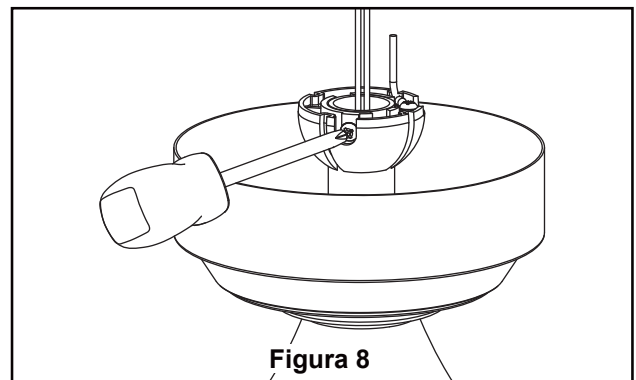
6. Introduzca los cables a través de la carcasa de acoplamiento del motor y use los dos tornillos extraídos en el paso anterior para fijar la carcasa de acoplamiento del motor a la unidad del motor. (Figura 6)



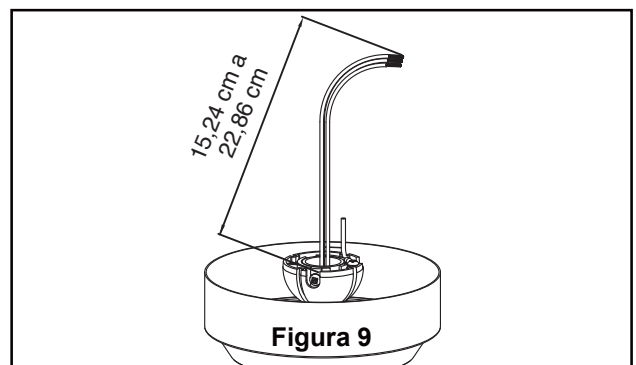
7. Pase los cables a través de la cubierta para el tornillo y el capuchón. (Figura 7)



8. Vuelva a colocar la semiesfera en el barral como se indica a continuación. Pase los tres cables de cables de blanco, negro y azul cable de soporte para techo a través de la semiesfera. Pase el pasador a través de los dos orificios en el barral y alinee la semiesfera de modo que el pasador quede atrapado en la ranura de la parte superior de la misma. Empuje la semiesfera hacia arriba, bien ajustada contra el pasador. Ajuste firmemente el tornillo de fijación en la semiesfera. Si el tornillo de fijación está flojo, podría provocar oscilación del ventilador. (Figura 8)



9. Corte el exceso de cable aproximadamente de 15 a 23 cm (6 a 9 pulgadas) por encima de la parte superior del barral. Pele 1,2 cm (1/2") del aislamiento en cada extremo del cable. (Figura 9)



NOTA: Se deben revisar todos los tornillos de fijación y volver a ajustarlos cuando sea necesario antes de realizar la instalación.

Cómo colgar el ventilador de techo

⚠ ADVERTENCIA

Para evitar una posible descarga eléctrica, asegúrese de cortar la alimentación eléctrica de la caja de fusibles principal antes de colgar el ventilador. (Figura 1)

NOTA: Si no está seguro de si la caja de salida tiene conexión a tierra, pida consejo a un electricista certificado, ya que debe tener conexión a tierra para un funcionamiento seguro.

⚠ ADVERTENCIA

Debe colgar el ventilador a una distancia mínima de 2,13 m desde las aspas hasta el piso. (Figura 2)

1. Fije bien la abrazadera para colgar a la caja de salida (no se incluye) con los tornillos y las arandelas provistas con la caja de salida. (Figura 3)

⚠ ADVERTENCIA

La caja de salida debe estar bien asegurada. La abrazadera para colgar debe estar bien asentada contra la caja de salida. Si la caja de salida está empotrada, retire el panel hasta que la abrazadera haga contacto con la caja. Si la abrazadera y/o la caja de salida no están bien aseguradas, el ventilador podría tambalearse o caerse.

2. Levante cuidadosamente el ventilador y coloque el ensamble de la bola para colgar/varilla en la abrazadera para colgar que acaba de fijar a la caja de salida. Asegúrese de que la ranura de la bola esté alineada con la lengüeta de la abrazadera para colgar. (Figura 4)

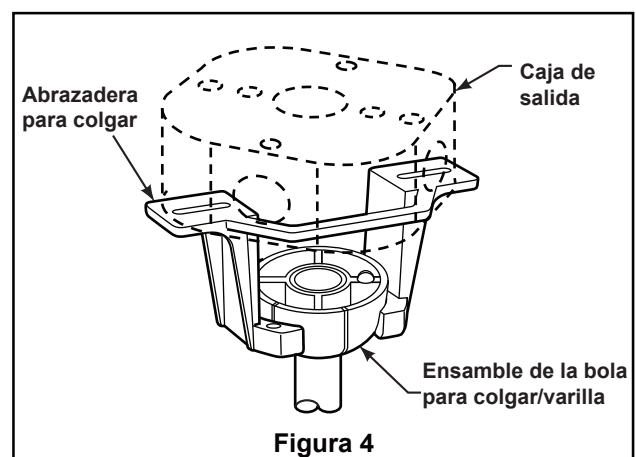
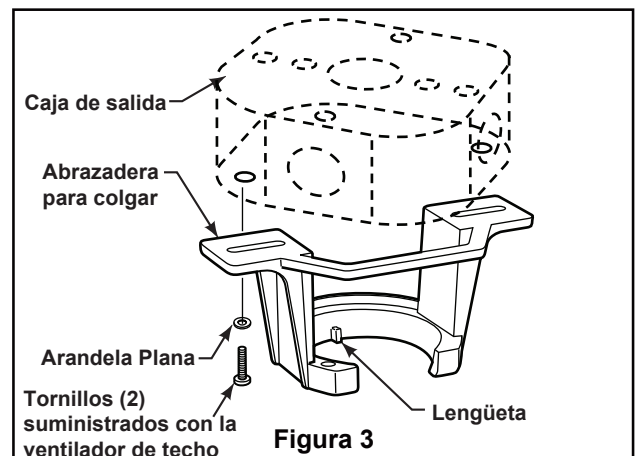
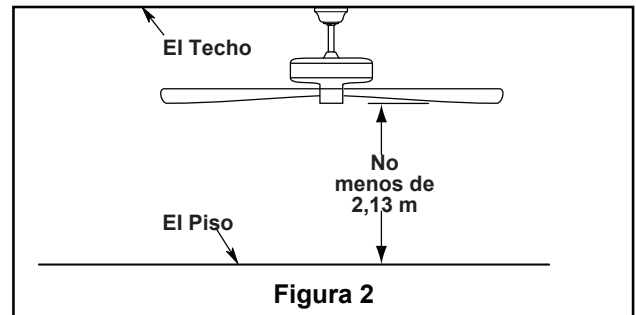
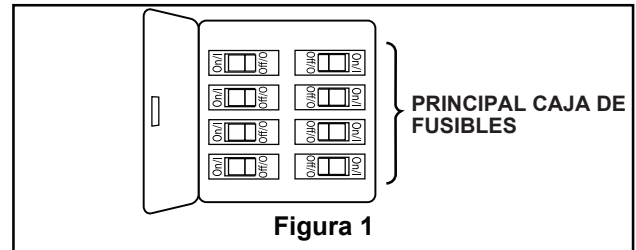
Este ventilador solamente debe montarse en ángulo o de manera estándar. Las opciones de montaje cerrado y al ras no están disponibles. Para techos en ángulo, tenga en cuenta que el ángulo no puede tener más de 19°.

⚠ ADVERTENCIA

Si no coloca la lengüeta en la ranura, podrían dañarse los cables eléctricos y podrían ocurrir incendios o descargas eléctricas.

⚠ ADVERTENCIA

Para evitar una posible descarga eléctrica, no apriete los cables entre el ensamble de la bola para colgar y la abrazadera para colgar.



Cómo realizar la instalación eléctrica del ventilador de techo

NOTA: Si los cables de suministro o del ventilador son de colores diferentes que los indicados, contrate a un electricista calificado para que realice la instalación.

⚠ ADVERTENCIA

Para evitar una posible descarga eléctrica, asegúrese de cortar la alimentación eléctrica de la caja de fusibles principal antes de alambrado el ventilador. (Figura 1)

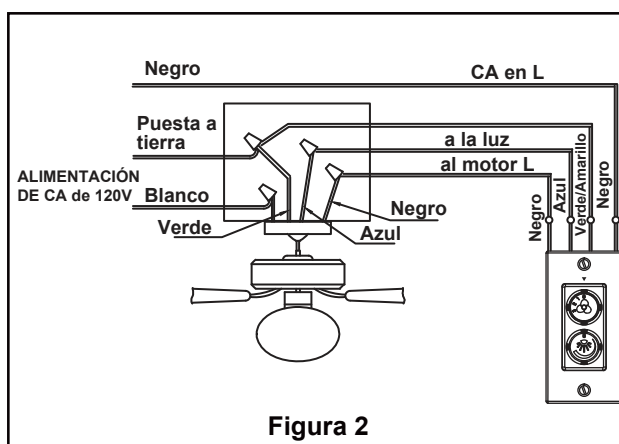
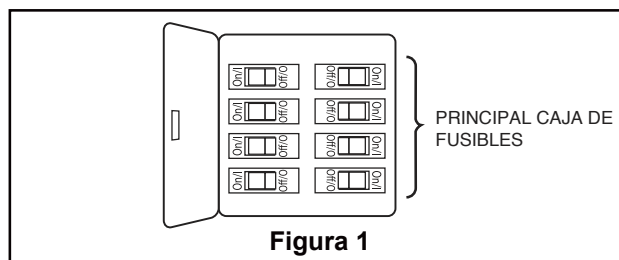
NOTA: Si no está seguro de si la caja de salida tiene conexión a tierra, pida consejo a un electricista certificado, ya que debe tener conexión a tierra para un funcionamiento seguro.

1. Desconecte la fuente de alimentación y extraiga el interruptor y la placa de pared existentes.
2. Configure el interruptor de la luz y la manilla del control instalado en la pared en la posición desactivado (0).
3. Realice las conexiones de los cables y fíjelo con las tuercas de los cables suministrados. (Figura 2)
 - Conecte el cable negro (CA en L) del control instalado en la pared con el cable de la fuente de alimentación CA.
 - Conecte el cable negro (al motor L) del control instalado en la pared con el cable negro del ventilador del techo.
 - Conecte el cable blanco del ventilador de techo a la fuente de alimentación CA.
 - Conecte el cable azul (a la luz) del control instalado en la pared con el cable azul del ventilador de techo.
 - Conecte el cable verde/amarillo del control instalado en la pared con el ventilador de techo y el cable de toma de tierra de la fuente de alimentación CA.
4. Empuje con cuidado todos los cables conectados dentro de la caja de conexiones de la pared.

⚠ ADVERTENCIA

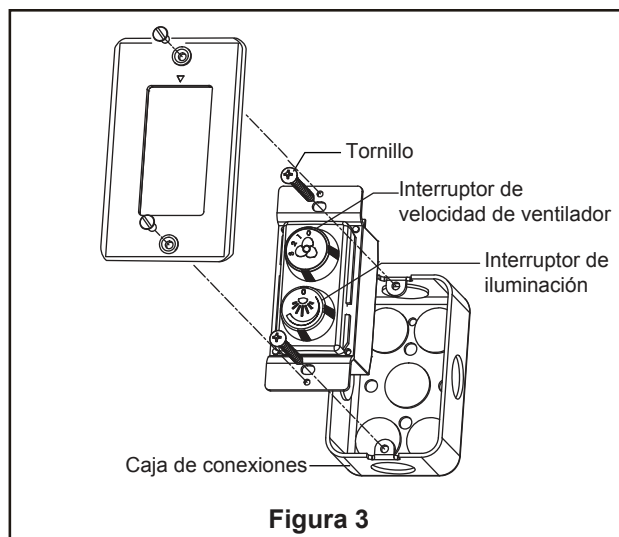
Verifique que todas las conexiones estén ajustadas, incluida la conexión a tierra, y que no haya conductores desnudos visibles en los conectores. No opere el ventilador hasta que las aspas estén instaladas. Podría ocasionar ruidos y daños al motor.

5. Asegure el control instalado en la pared en la caja de conexiones con los dos tornillos suministrados. A continuación, la placa frontal fija el control de pared con los dos tornillos pintados. (Figura 3)



Aditamentos utilizados:

Conectores de cable x 4



Cómo instalar la carcasa de la cubierta

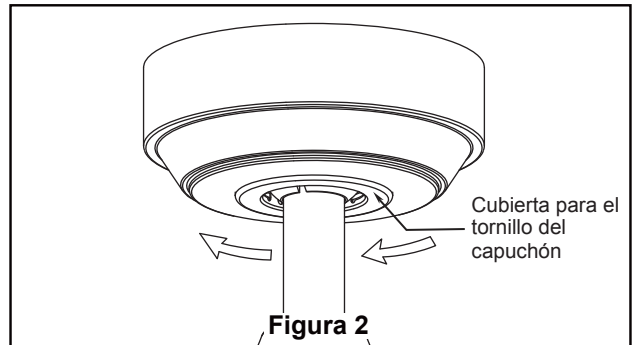
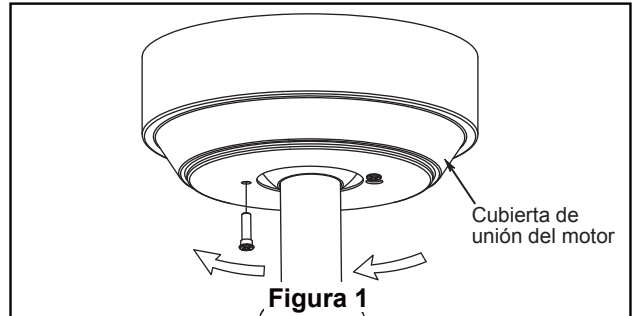
NOTA: Este paso se debe realizar luego de completar la completada instalación eléctrica necesaria.

1. Extraiga una de los tornillos de hombro en el soporte del gancho. Afloje el segundo tornillo de hombro sin extraiga completamente. Instale la cubierta rotando la ranura clave en la cubierta sobre el tornillo de hombro del soporte del gancho. Fije el tornillo de hombro. Instale adecuadamente y fije el segundo tornillo de hombro que fue anteriormente guardado. (Figura 1)

⚠ ADVERTENCIA

Para evitar posibles incendios o descargas eléctricas, asegúrese de que los cables eléctricos vuelva hacia arriba y completamente empujarse con cuidado en el cuadro de juntura y de que no estén aprisioel techo.

2. Coloque y ajuste firmemente la cubierta para el tornillo de la base sobre los tornillos de reborde de la abrazadera para colgar mediante el mecanismo de seguro por giro del chavetero. (Figura 2)



Cómo ensamblar las aspas del ventilador de techo

1. Deslice las palas a través de las ranuras del motor y colóquelas sobre los postes taladrados del motor. Asegúrese que el extremo inferior de las palas esté completamente asentado en el volante del motor. Fije los tornillos con cabeza de arandela con las arandelas de fibra para asegurar las palas a los postes taladrados del motor. (Figura 1)

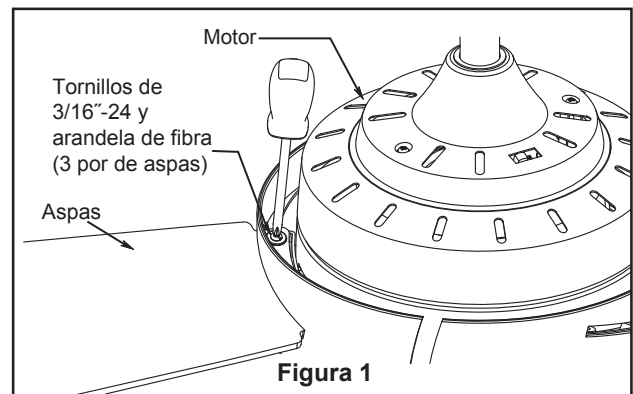
NOTA: Revise periódicamente las piezas de los soportes de las aspas y vuelva a ajustarlas si fuese necesario.

⚠ ADVERTENCIA

Para reducir el riesgo de lesiones personales, no doble los soportes de aspas al instalarlos, balancear las aspas o limpiar el ventilador. No coloque objetos extraños entre las aspas del ventilador en funcionamiento.

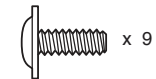
PRECAUCIÓN

A fin de reducir el riesgo descargas eléctricas, desconecte el circuito de suministro eléctrico al ventilador antes de instalar el kit de iluminación.

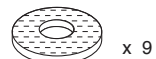


Aditamentos utilizados:

Tornillos de 3/16\"-24 x 9

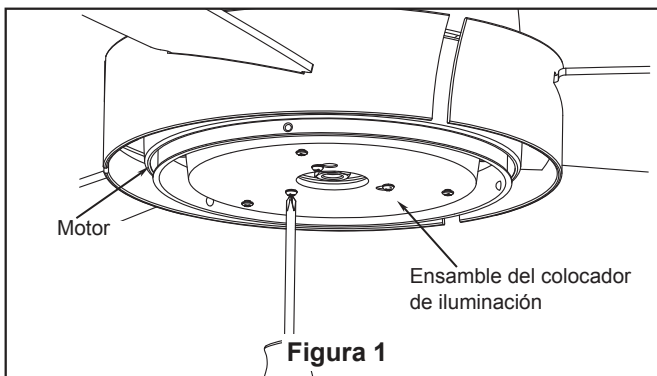


Arandela de fibra x 9

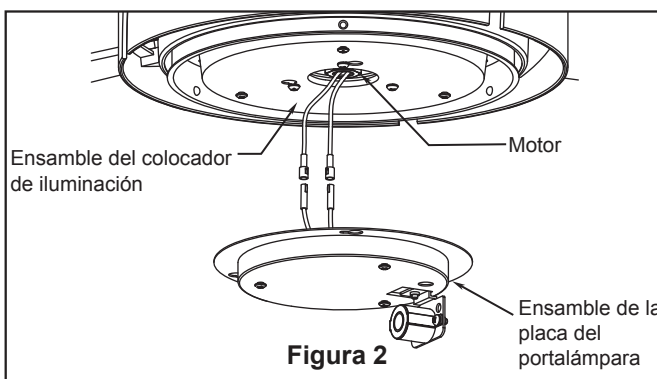


Cómo ensamblar su el kit de iluminación

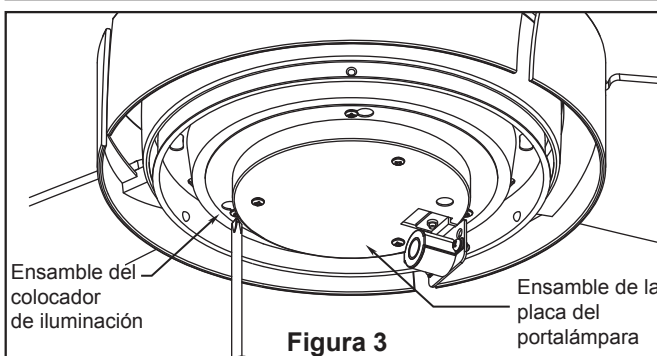
1. Retire uno de los tres tornillos preensamblados al interior del ensamble del adaptador en la parte inferior del ensamble del motor. Afloje ligeramente los dos tornillos restantes. Coloque el ensamble de la placa del colocador de iluminación en el ensamble de la placa del motor usando los dos chaveteros del ensamble de la placa del colocador de iluminación. Vuelva a colocar el tercer tornillo y apriete los tres tornillos. (Figura 1)



2. Retire uno de los tres tornillos en el ensamble de la placa de iluminación. Afloje ligeramente los dos tornillos restantes. Conecte el cable negro desde el ensamble de la placa del portalámpara al cable negro del ensamble del motor y conecte el cable blanco desde el ensamble de la placa del portalámpara al cable blanco del ensamble del motor. (Figura 2)



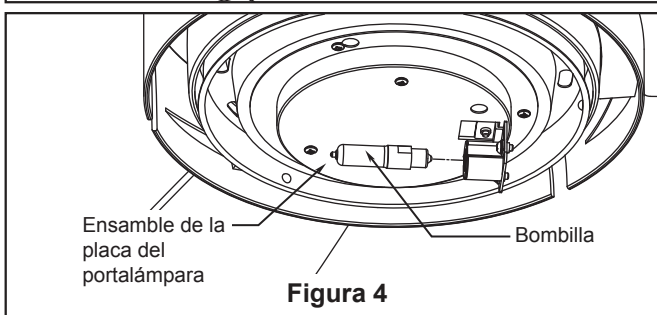
3. Extraiga uno de los tres tornillos de la unidad de la placa. Afloje levemente los otros dos tornillos. Instale la placa de conexión en la unidad de la placa de luz utilizando las dos ranuras principales. Vuelva a colocar el tercer tornillo y asegure los tres tornillos. (Figura 3)



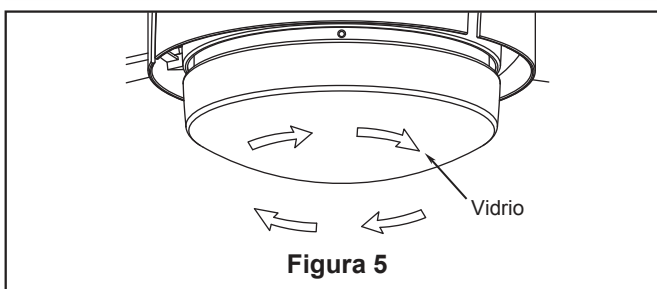
4. Instale la bombilla. (Figura 4)

PRECAUCIÓN

Para reducir el riesgo de incendios, utilice la bombilla halógena tungsteno de tipo T4-minican JD E11 de 100 vatios máximo. Apague el interruptor de la pared y deje que la bombilla se enfríe durante 10 minutos antes de cambiar la bombilla. La bombilla está presurizada y puede hacerse añicos. NO TOQUE LA BOMBILLA CON LAS MANOS SIN PROTECCIÓN. Las huellas dactilares pueden disminuir la vida útil de la bombilla. Elimine las huellas dactilares con alcohol antes de utilizar la bombilla.



5. Instale la carcasa de cristal en la unidad de Fije adecuadamente el cristal girando en el la tapa inferior de acero sentido de las agujas del reloj sin apretar demasiado. (Figura 5)



Cómo utilizar su ventilador de techo

1. Restaure la fuente de alimentación de la toma de corriente enciendo la electricidad del fusible principal. (Figura 1)

ADVERTENCIA

Compruebe que todas las conexiones realizadas correctamente, incluyendo la toma de tierra, y que no se visualizan ningún cable pelado en los conectores de cables, con la excepción del cable de toma de tierra. No utilice el ventilador hasta que las palas estén colocadas en su lugar, ya que de lo contrario se podría causar ruido y daños.

2. Funciones de control de pared: (Figura 2)

- Interruptor de velocidad de ventilador:



- 0: Apaga el ventilador
- 1: Velocidad baja
- 2: Velocidad media
- 3: Velocidad alta

- Interruptor de iluminación:



- 0: Apaga el ventilador, Cambie en interruptor en el sentido contrario a las agujas del reloj para aumentar la iluminación y en el sentido de las agujas del reloj para atenuarla.

3. Si desea que el flujo de aire se desplace en la dirección opuesta, apague el ventilador y espere a que las aspas se detengan. Luego deslice el conmutador inversor a la posición contraria y vuelva a encender el ventilador. (Figura 3)

Información sobre el interruptor de reversa		
Temporada	Dirección de rotación	Posición del interruptor
Verano	En dirección con traria a las manecillas del reloj	Izquierda
Invierno	En dirección de las manecillas del reloj	Derecha

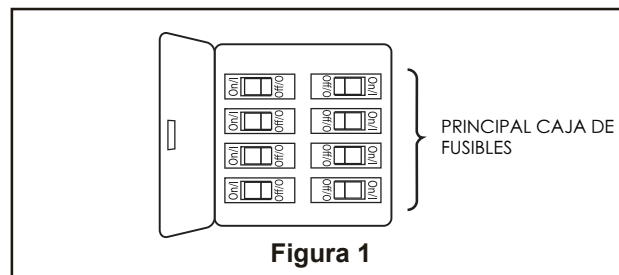


Figura 1

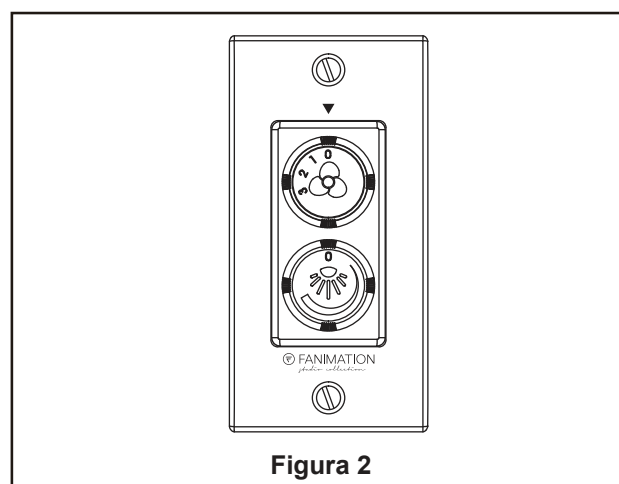


Figura 2

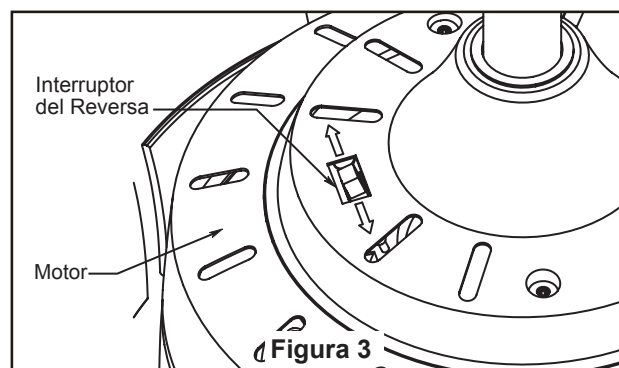


Figura 3

Mantenimiento

El único mantenimiento necesario para el ventilador de techo es una limpieza periódica.

Al llevar a cabo la limpieza, use sólo un cepillo suave o un paño sin pelusas, para evitar rayar el acabado.

No se requieren agentes abrasivos de limpieza; los mismos deben evitarse para prevenir daños en el acabado.

PRECAUCIÓN
No utilice solventes para limpiar el ventilador de techo. Podrían dañar el motor o las aspas y ocasionar posibles descargas eléctricas.

Limpieza de las aspas

Se recomienda limpiar el polvo de las aspas periódicamente. Lo mejor es utilizar un plumero.

Evite usar agua, productos de limpieza o trapos ásperos, que pueden combar o dañar las aspas.

Solución de problemas

⚠ ADVERTENCIA

Para su propia seguridad, desconecte la electricidad de la caja de fusibles o disyuntor antes de solucionar problemas en su ventilador.

Problema	Causa posible	Solución sugerida
1. EL VENTILADOR NO ARRANCA	<ol style="list-style-type: none"> 1. El fusible o el disyuntor están fundidos. 2. Las conexiones eléctricas del ventilador o del interruptor en la caja del interruptor están flojas. 3. Pila agotada del mando a distancia. 	<ol style="list-style-type: none"> 1. Controle los fusibles del circuito principal y derivado o los disyuntores. 2. Controle las conexiones eléctricas del ventilador y del interruptor en las cajas de los interruptores. <p>PRECAUCIÓN: ¡Asegúrese de que el suministro principal de electricidad esté desconectado!</p> <ol style="list-style-type: none"> 3. Sustituir con una pila nueva.
2. EL VENTILADOR HACE RUIDO	<ol style="list-style-type: none"> 1. Las aspas no están sujetas al ventilador 2. Hay tornillos flojos en la caja del motor. 3. Los tornillos que aseguran los soportes de las aspas al buje del motor están flojos. 4. Los conectores de cables dentro de la caja hacen ruido. 5. Ruido del motor provocado por el control de velocidad de estado sólido variable. 	<ol style="list-style-type: none"> 1. Ajuste las aspas al ventilador antes de ponerlo en funcionamiento. 2. Asegúrese de que todos los tornillos de la caja del motor estén bien ajustados (pero no en exceso). 3. Asegúrese de que los tornillos que fijan los soportes de aspas al buje del motor del ventilador estén bien ajustados. 4. Asegúrese de que los conectores de cables en la caja del interruptor no produzcan ruido al rozar unos con otros o al rozar la pared interior de la caja del interruptor. <p>PRECAUCIÓN: ¡Asegúrese de que el suministro principal de electricidad esté desconectado!</p> <ol style="list-style-type: none"> 5. Algunos motores de ventilador son sensibles a las señales de los controles de velocidad de estado sólido variables. Los controles de estado sólido no son recomendables. Escoja un método de control alternativo.
3. EL VENTILADOR OSCILA EN EXCESO	<ol style="list-style-type: none"> 1. El tornillo de fijación y la tuerca del soporte de barral están flojos. 2. El tornillo de fijación en la unidad del barral/de la semiesfera está flojo. 3. Los tornillos que aseguran los soportes de las aspas al buje del motor están flojos. 4. El soporte de suspensión o la caja de distribución eléctrica del techo no están bien asegurados. 5. Las aspas del ventilador están desbalanceadas. 	<ol style="list-style-type: none"> 1. Ajuste bien los dos tornillos de fijación y las tuercas en el soporte de barral. 2. Ajuste el tornillo de fijación en la unidad del barral/de la semiesfera. 3. Asegúrese de que los tornillos que fijan los soportes de aspas al buje del motor del ventilador estén bien ajustados. 4. Ajuste los tornillos del soporte de suspensión de la caja de distribución eléctrica y asegúrela. 5. Equilibrar las palas utilizando el kit de equilibrado ofrecido en la bolsa de hardware.
4. NO HAY SUFICIENTE MOVIMIENTO DE AIRE		<ol style="list-style-type: none"> 1. Si es posible, considere el uso de un barral más largo. Por ejemplo (no incluido, usted puede comprar el tiempo de la vara hacia abajo)

Lista de piezas

Modelos N.º LP8081**

N.º de Ref.	Descripción	Pieza # N.º
1	Unidad del soporte de suspensión	APGAC110RBL
2	Unidad del barral/de la semiesfera	ADRAC4GT1-45**
3	Capuchón de techo	P806308**
4	Cubierta para el tornillo del capuchón	APPAC1101**
5	Cubierta de unión del motor	AP807101**
6	Unidad del motor del ventilador	AMA8081**
7	Juego de aspas	AP807106**
8	Ensamble del colocador de iluminación /vidrio	AP807109**
9	Ensamble de la placa del portalámpara	AP807108WH
10	Bombilla	PPE11B100
11	Control de pared	CW60WH-8081
12	Bolsa de accesorios que contiene:	HDWLP8081**
—	Kit de balanceo	—
—	Conectores de cables (4)	—
—	Bolsa de accesorios para el montaje de los	—
—	Tornillos de cabeza arandela de 3/16"-24 (10)	—
—	Arandela de fibra (10)	—

***Inserte los CÓDIGOS DE ACABADO (consulte el número de modelo del ventilador que se encuentra en el soporte de barra)*

Antes de desechar los materiales de embalaje, asegúrese de haber extraído todas las piezas

Cómo hacer un pedido de piezas

Al hacer un pedido de piezas de repuesto, proporcione siempre la siguiente información:

- Número de pieza
- Descripción de la pieza
- Número de modelo del ventilador

Póngase en contacto con su tienda para obtener las piezas de repuesto.

Coop™
Modelo N.º LP8081**
Ilustración del despiece

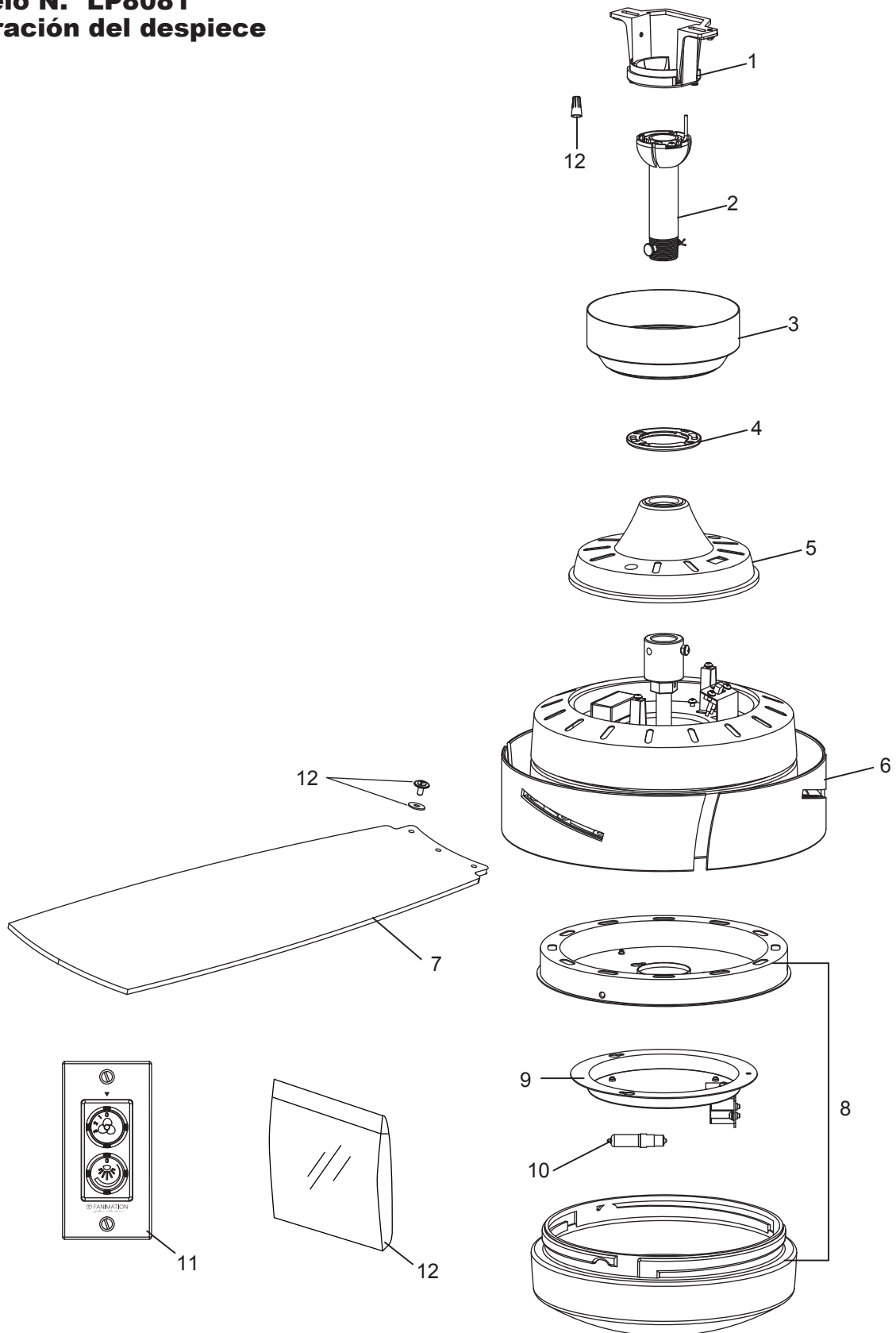


Figura 1

NOTA: La ilustración que se muestra no está hecha a escala y su configuración real o las terminaciones puede variar