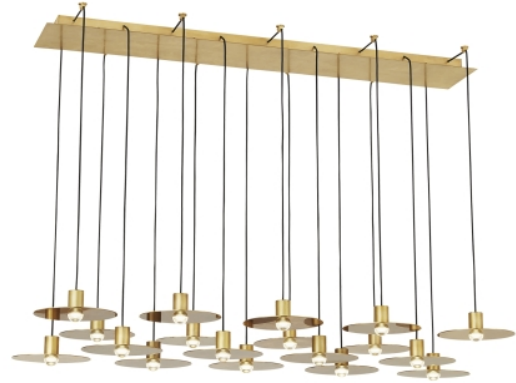


# EAVES 18 LIGHT CHANDELIER

VISUAL COMFORT & CO.

## PRODUCT FEATURES

- Canopy ships with 9 feet of cable per pendant which can be easily cut in the field
- Each port in the canopy comes with a plug to cover an unused ports
- Pendant feature a quick-connect simplifying installation
- Optional spacers facilitate unique geometries while adding depth and dimension to this stunning collection.
- This item is made of natural brass. It is a living finish that will patina and warm with age which adds richness. If it gets an uneven patina or spots, a brass cleaner can restore the finish
- Protected by a 5-year warranty. Please visit the "About Us" Page on [techlighting.com](http://techlighting.com) for more for warranty details



## LAMPING

Includes 120V or 277V 77.4 watts, 4086 delivered lumens, 3000K LED module. Dimmable with most LED compatible ELV and TRIAC dimmers. 277V dimmable with 0-10V dimmers. Ships with 9 feet of field-cutttable matte black cord. Can be installed on a sloped ceiling up to 45° when swag hooks are used.

Natural Brass



Natural Brass

Natural Brass Alt

Nightshade Black

Nightshade Black Alt

## ORDERING INFORMATION

| 700TRSPEVS | SHAPE OR SIZE | FINISH                                 | LAMP                                | VOLTAGE              |
|------------|---------------|----------------------------------------|-------------------------------------|----------------------|
|            | 18 LIGHT 18T  | NB NATURAL BRASS<br>B NIGHTSHADE BLACK | -LED930 INTEGRATED LED 90 CRI 3000K | 120 120V<br>277 277V |

700TRSPEVS \_\_\_\_\_

JOB NAME \_\_\_\_\_

NOTES \_\_\_\_\_

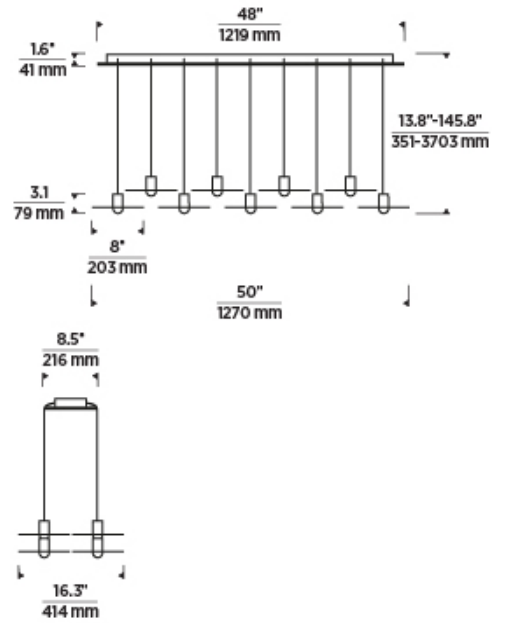


# EAVES 18 LIGHT CHANDELIER

VISUAL COMFORT & Co.

## SPECIFICATIONS

|                               |                   |
|-------------------------------|-------------------|
| PRIMARY MATERIAL              | Aluminum or Brass |
| SHADE MATERIAL                | Acrylic           |
| NET WEIGHT                    | 35 lbs            |
| HEIGHT                        | 3.1in             |
| WIDTH                         | 16.3in            |
| LENGTH                        | 50in              |
| UP LIGHT / DOWN LIGHT / BOTH? |                   |
| WET LISTED                    |                   |
| DAMP LISTED                   |                   |
| DRY LISTED                    |                   |
| MIN. HANGING HEIGHT           | 13.8in            |
| MAX HANGING HEIGHT            | 109.8in           |
| TOTAL CORD LENGTH             | 108in             |
| TOTAL STEM LENGTH             |                   |
| STEM QTY                      |                   |
| SLOPED CEILING ADAPTABLE?     | N/A               |
| GENERAL LISTING               | ETL Listed        |
| INCLUDES                      |                   |



## LAMPING SPECIFICATIONS

|                       | LED LAMP | INTEGRATED LED  | NON LED | NO LAMP |
|-----------------------|----------|-----------------|---------|---------|
| DELIVERED LUMENS      |          | 4086            |         |         |
| WATTS                 |          | 4.3             |         |         |
| MAX WATTAGE PER BULB  |          | 77.4W           |         |         |
|                       |          | 120V ELV, TRIAC |         |         |
|                       |          | 277V 0-10V      |         |         |
| CCT                   |          | 3000K           |         |         |
| CRI                   |          | 90 CRI          |         |         |
| LED LIFETIME          |          |                 |         |         |
| L70                   |          | >50000          |         |         |
| AVERAGE BULB HOURS    |          |                 |         |         |
| FIELD SERVICEABLE LED |          |                 |         |         |
| LAMP BASE             |          | Integrated LED  |         |         |
| LAMP SHAPE            |          | Integrated LED  |         |         |
| LAMP INCLUDED?        |          | True            |         |         |
| WARRANTY**            |          | 5 Years         |         |         |

\* Dimming information available at [www.techlighting.com/Downloads#dimming](http://www.techlighting.com/Downloads#dimming)

\*\* Visit [techlighting.com](http://techlighting.com) for specific warranty limitations and details.

## T20 / T24 / JA8 INFORMATION

|                                                                                                                                               | Integrated LED | Replacement LED Lamp | No Lamp * |
|-----------------------------------------------------------------------------------------------------------------------------------------------|----------------|----------------------|-----------|
| This product can be used to comply with California Building Energy Efficiency Standards 2016 Title 24 Part 6 / JA8.                           | Yes            |                      |           |
| This product can be used to comply with California Appliance Efficiency Standards 2016 Title 20 and may be shipped to and sold in California. | N/A            |                      |           |

\* If a light fixture or component does not include a lamp or light source, it is the responsibility of the customer to select a lamp that meets the T24 and T20 requirements.

