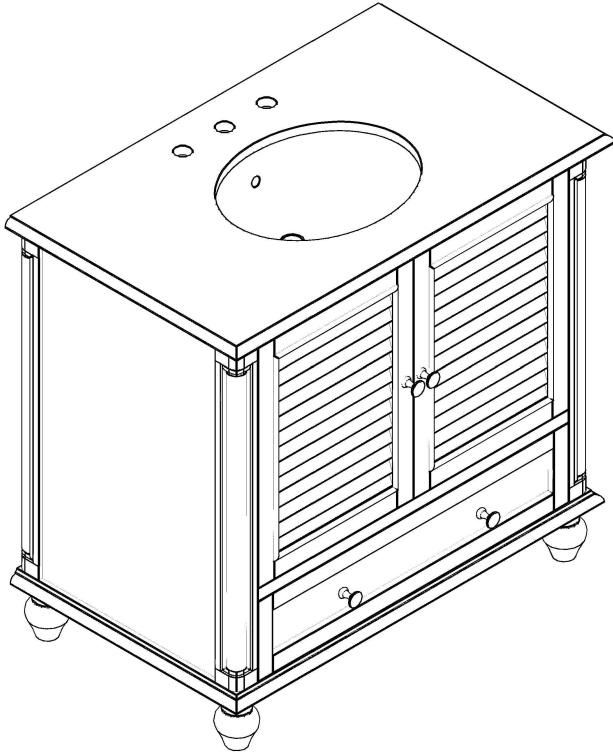

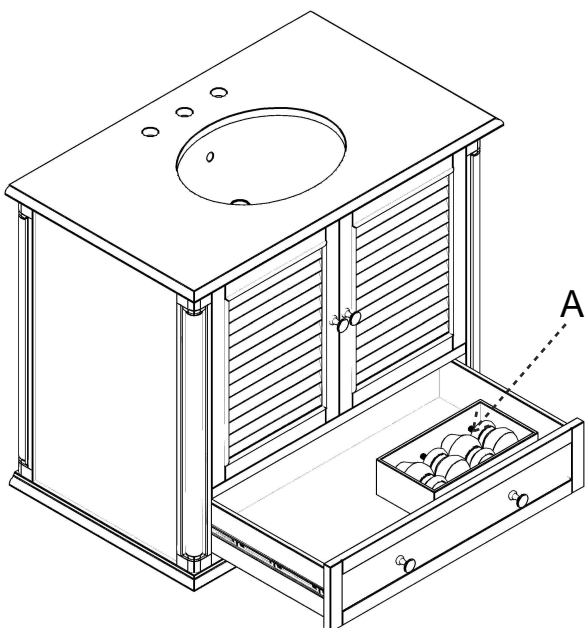


Assembly Instructions

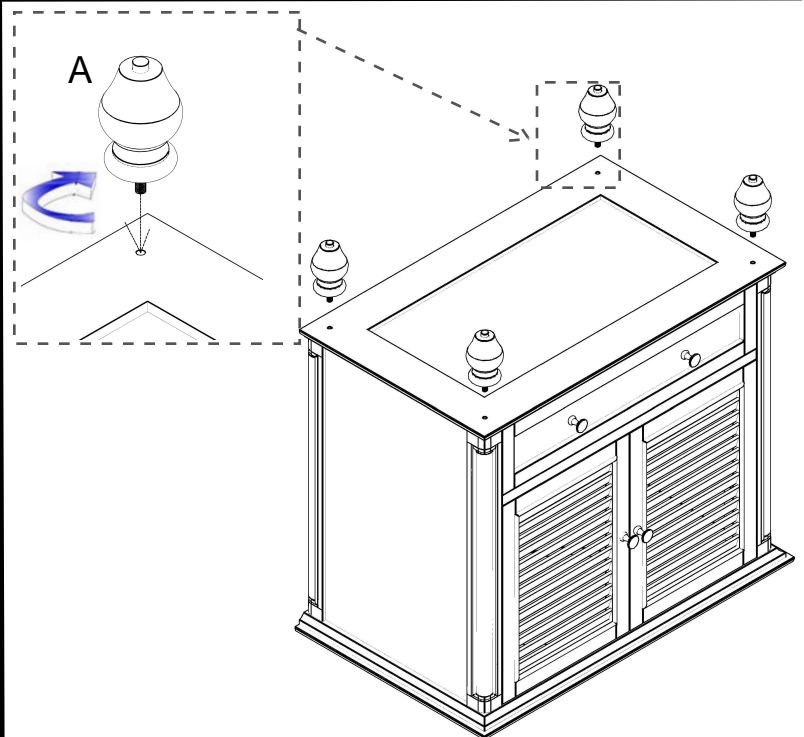


| PART# | DESCRIPTION | PARTS | QTY |
|-------|-------------|---|------|
| A | Feet |  | 4pcs |

hardware



1. Open the drawer and take out the KD legs



2. Twist the legs into the reserved screw hole on the bottom