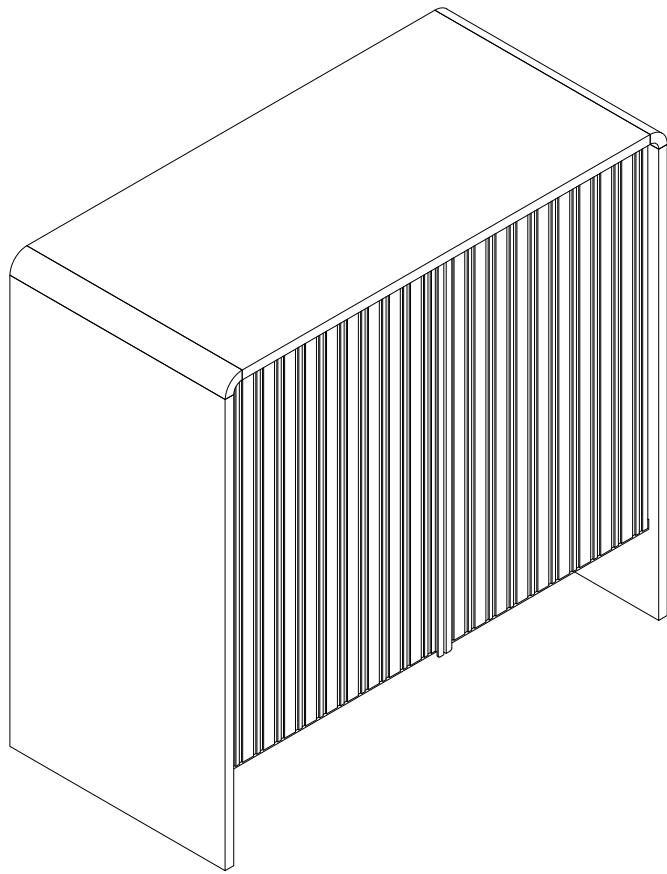


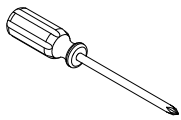
Installation Instruction



Assembling

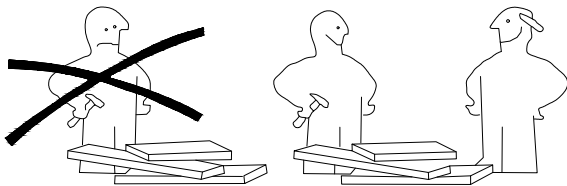
What you need

- Use the packaging carton as a working surface to prevent product damage during assembly
- Phillips head screwdriver



Weight Limitation


100 | **35**
 lbs table top lbs per

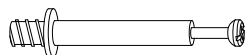


What' included

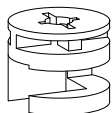
Code	Description	Qty
A	Cam Bolt M6X35MM	27
B	Cam Lock 15X9MM	27
C	Wooden Dowel M8X30MM	22
D	Screw M4X40MM	2
E	The screw M3.5X14MM	38
F	Hole position sticker	18
G	The back button	6
H	Thumbtack	4
I	Anchor	2
J	Nylon Strap	2
K	Hinge	4
L	Shelf Holder	4
M	Metal shake handhandle	2

The Hardwares

A



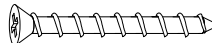
B



C



D



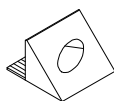
E



F



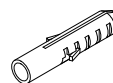
G



H



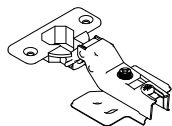
I



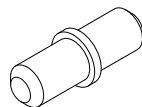
J



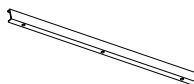
K



L



M



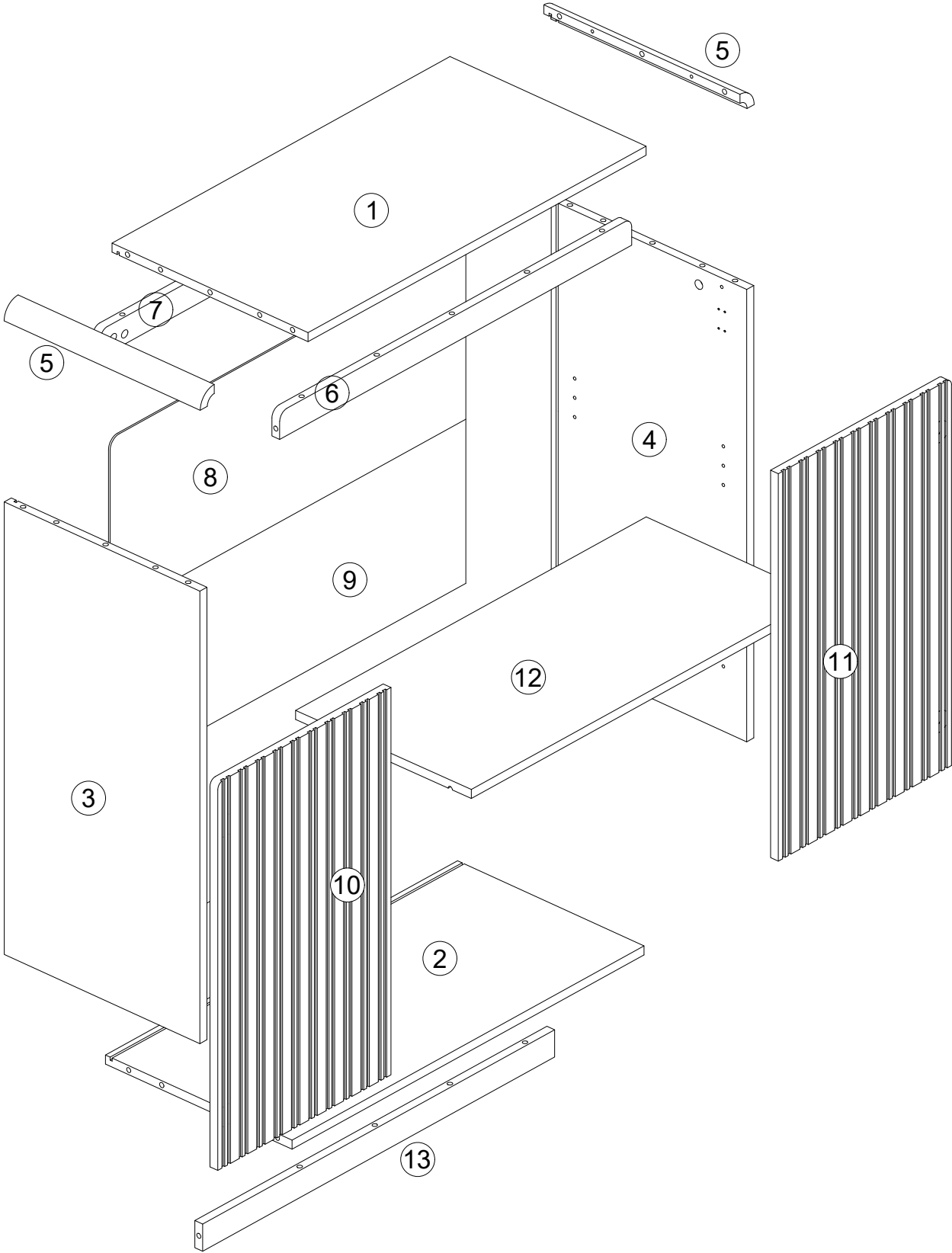
IMPORTANT:

1. Do not tighten bolts / screws completely until all bolts / screws are lined up and inserted into holes.
2. Do not over tighten screws and bolts to avoid stripping
3. Please use hand tools to assemble this product, you can also use power tools (please use power tools carefully)

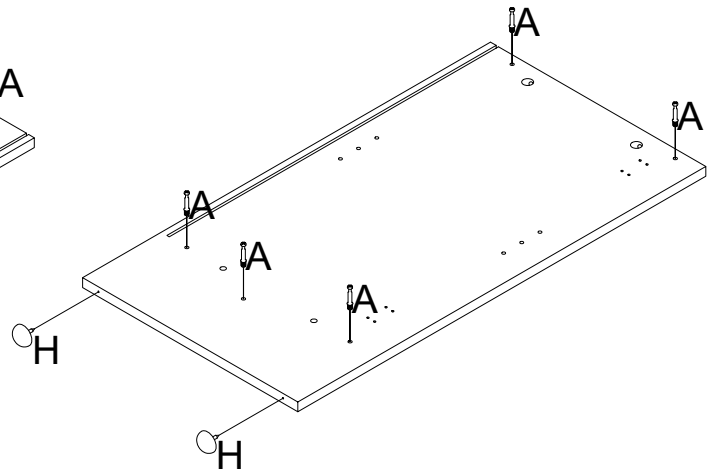
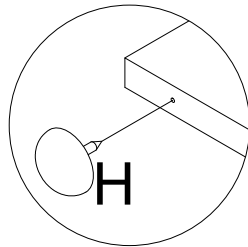
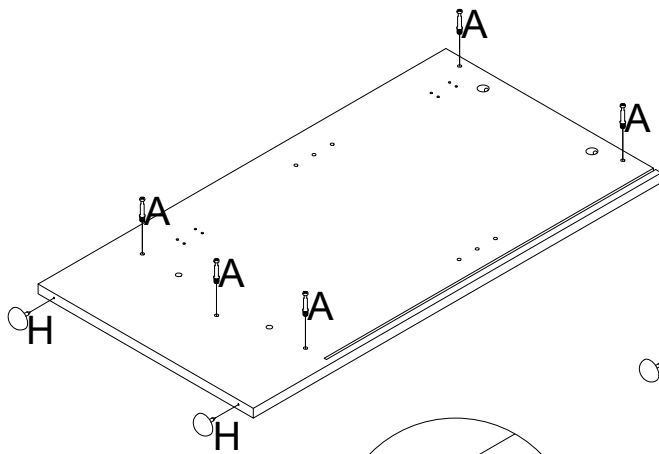
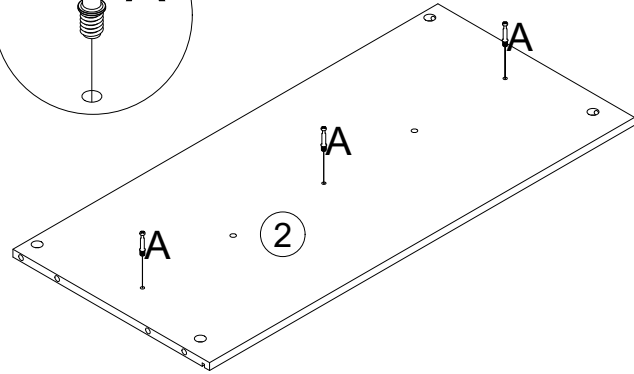
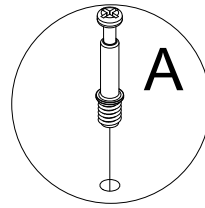
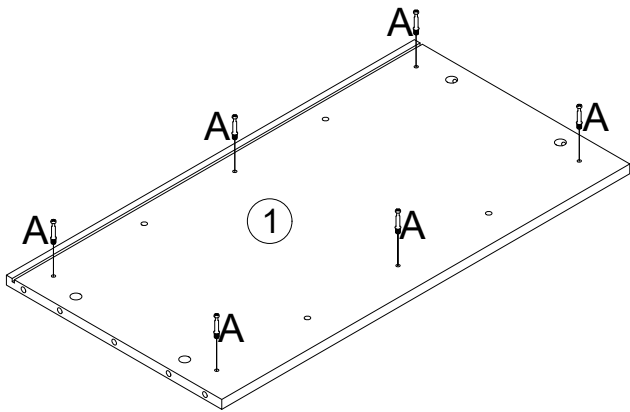
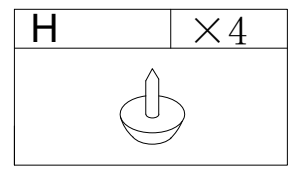
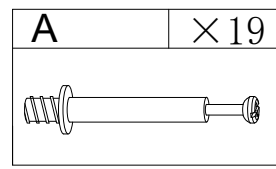
Included Accessories

Code	Description	Qty
1	Cabinet Top	1
2	Bottom Panel	1
3	Left Side Panel	1
4	Right Side Panel	1
5	Arc connecting plate	2
6	Panel reinforcement strip	1
7	Panel reinforcement strip	1
8	Back plate	1
9	Lower back panel	1
10	Left metal door	1
11	Right metal door	1
12	Movable laminate	1
13	Base plate reinforcement strip	1

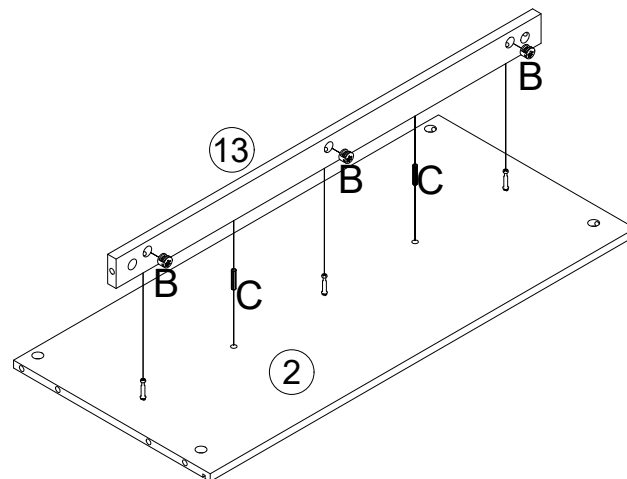
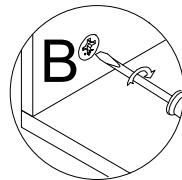
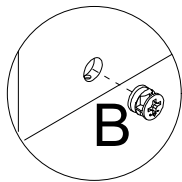
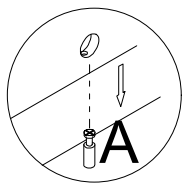
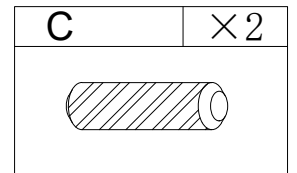
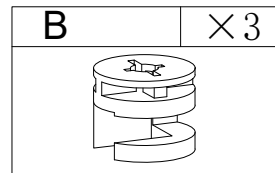
The Accessoriess



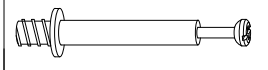
Step 1

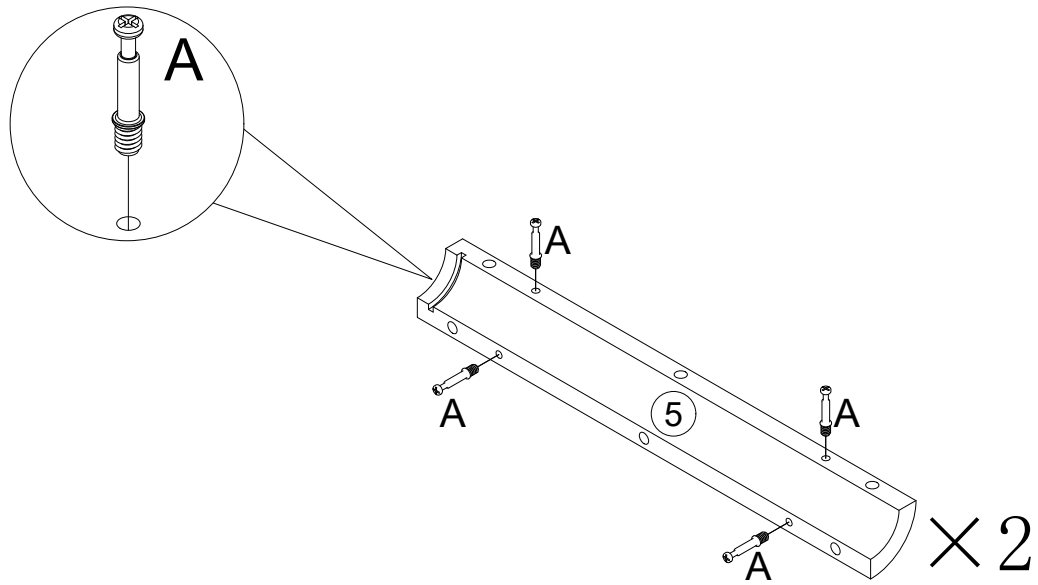


Step 2

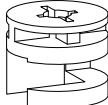


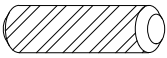
Step 3


A	×8
	

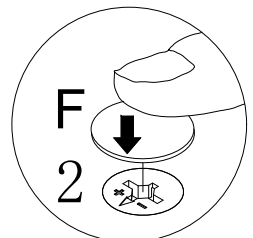
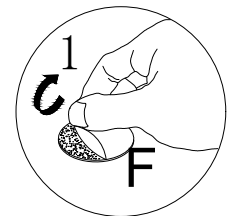
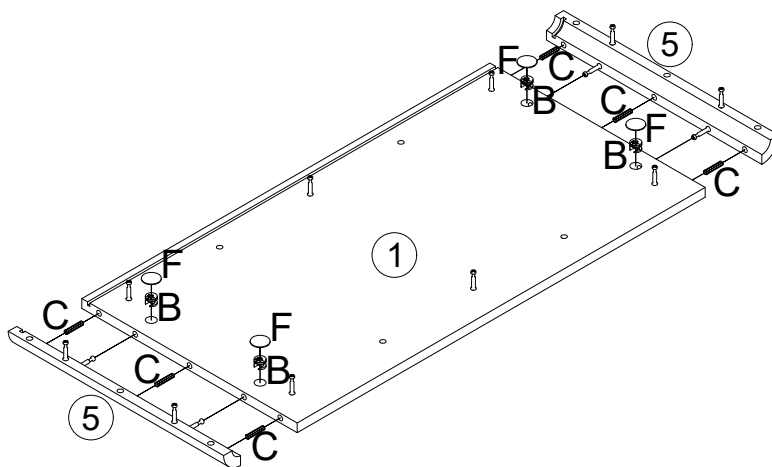
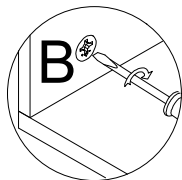
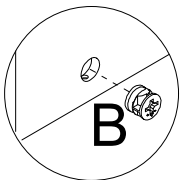
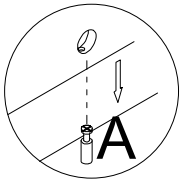
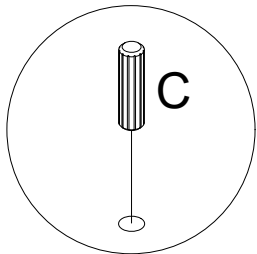


Step 4

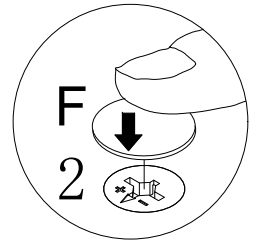
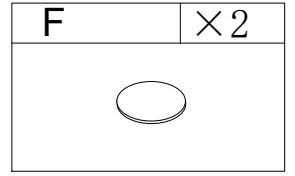
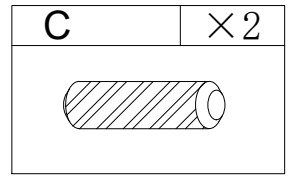
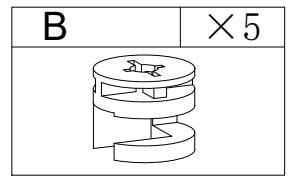
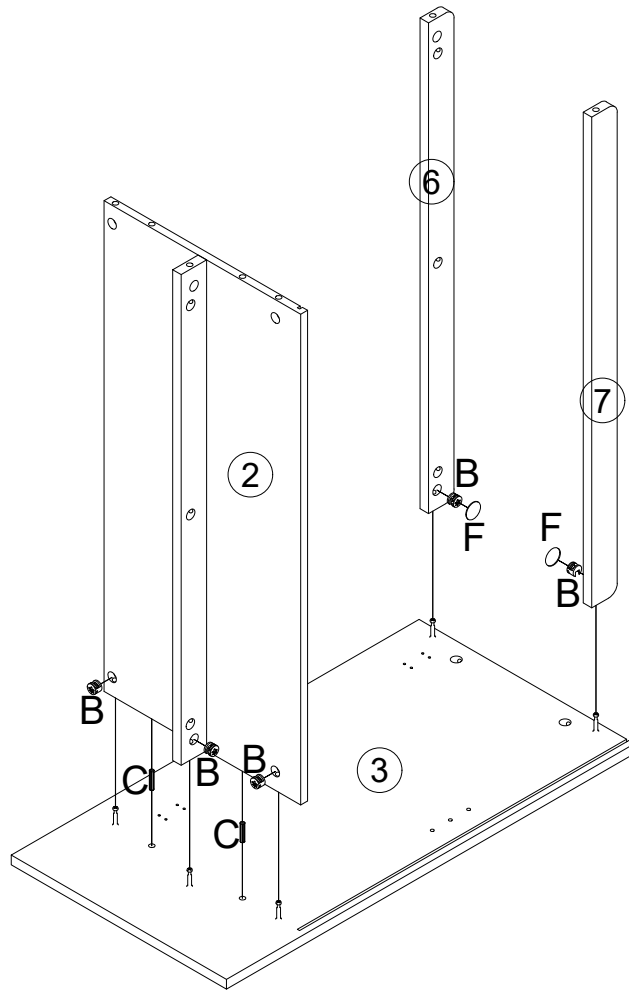
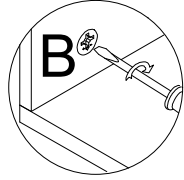
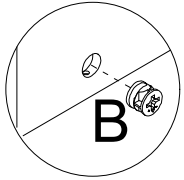
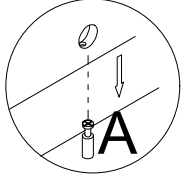
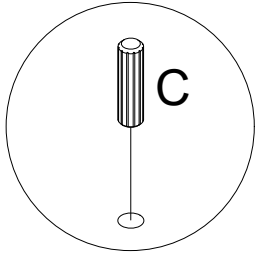
B	×4
	

C	×6
	

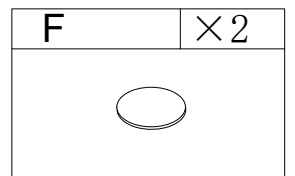
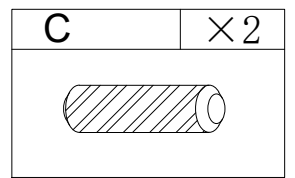
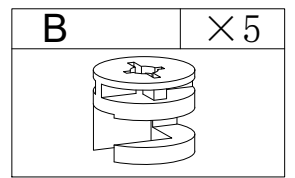
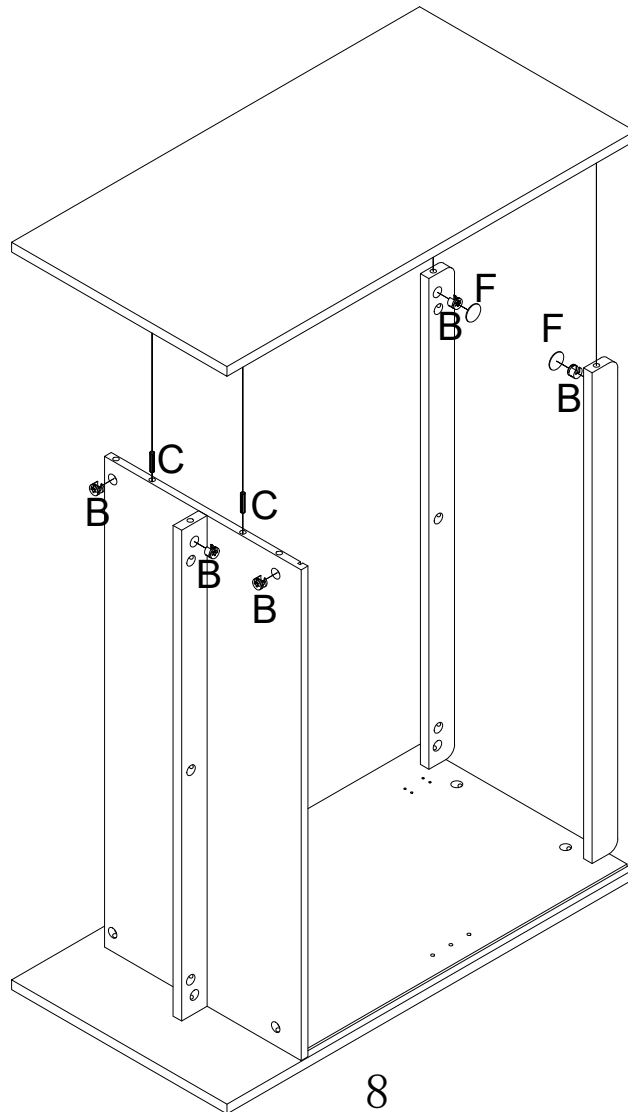
F	×4
	



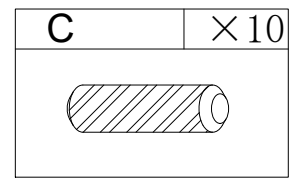
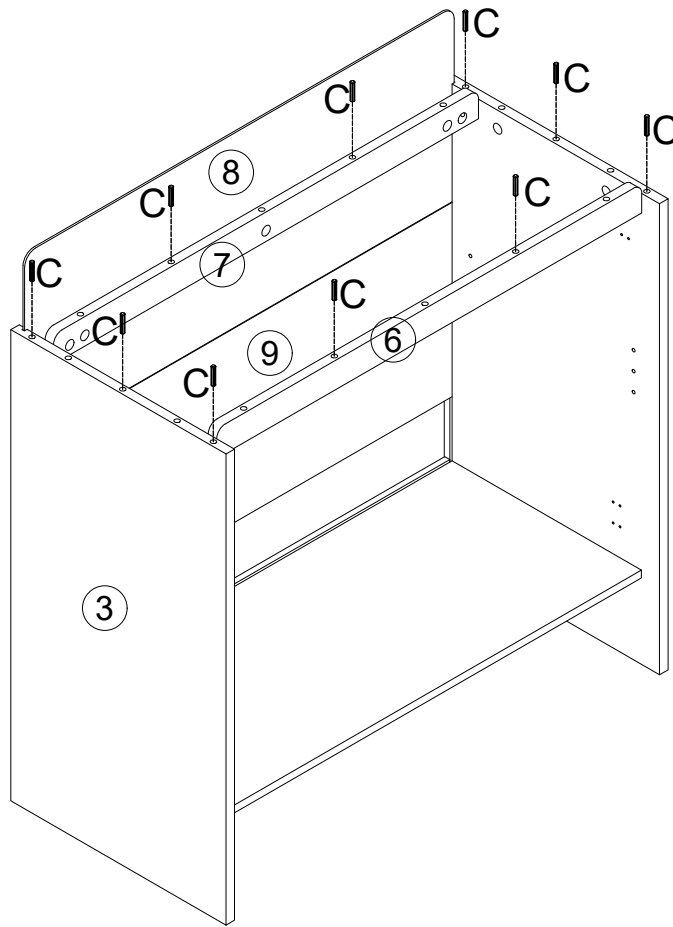
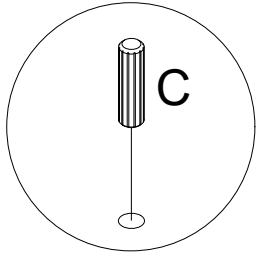
Step 5



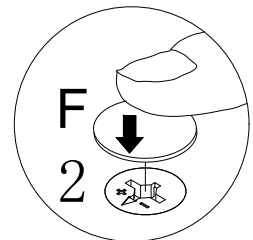
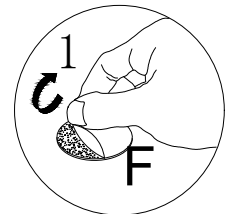
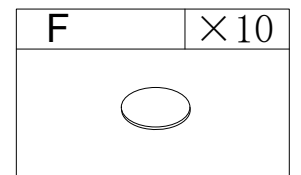
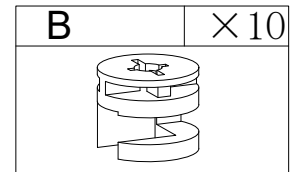
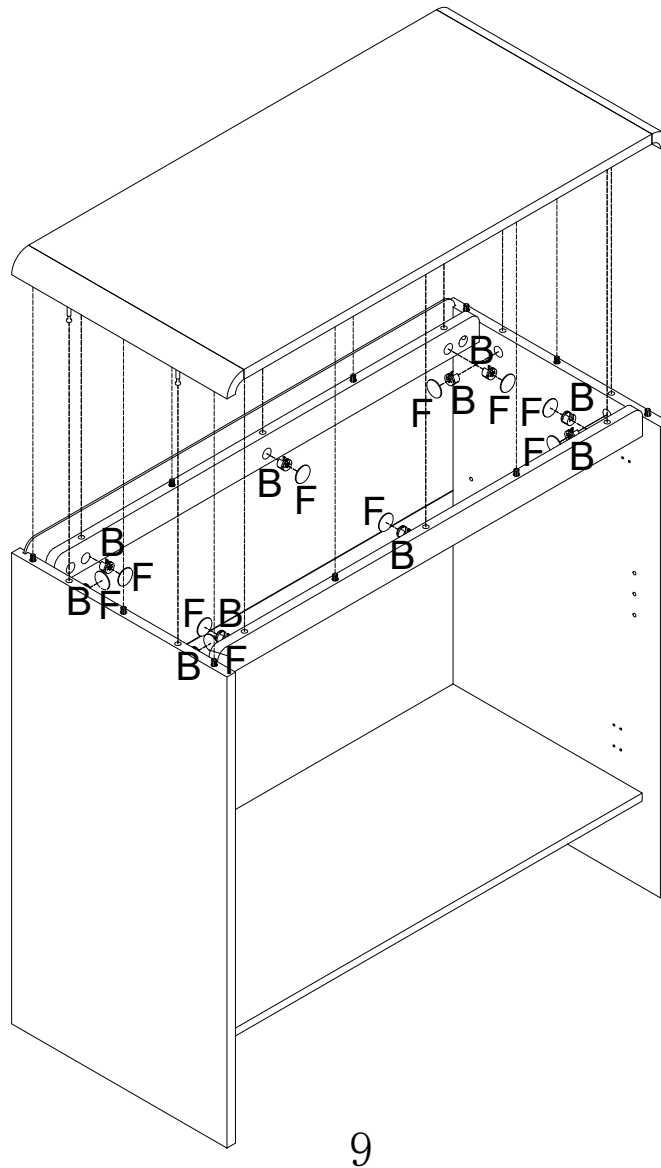
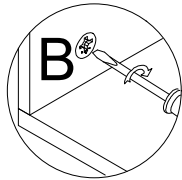
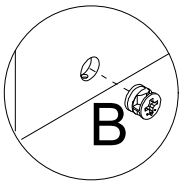
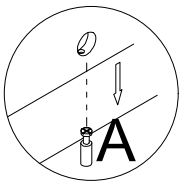
Step 6




Step 7

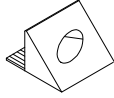


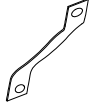
Step 8

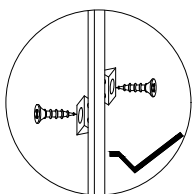
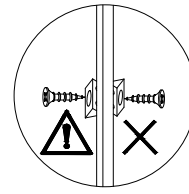
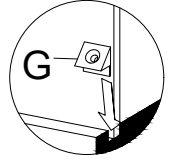
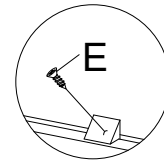
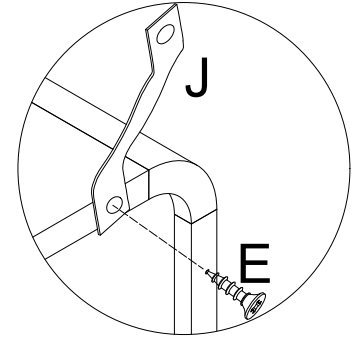
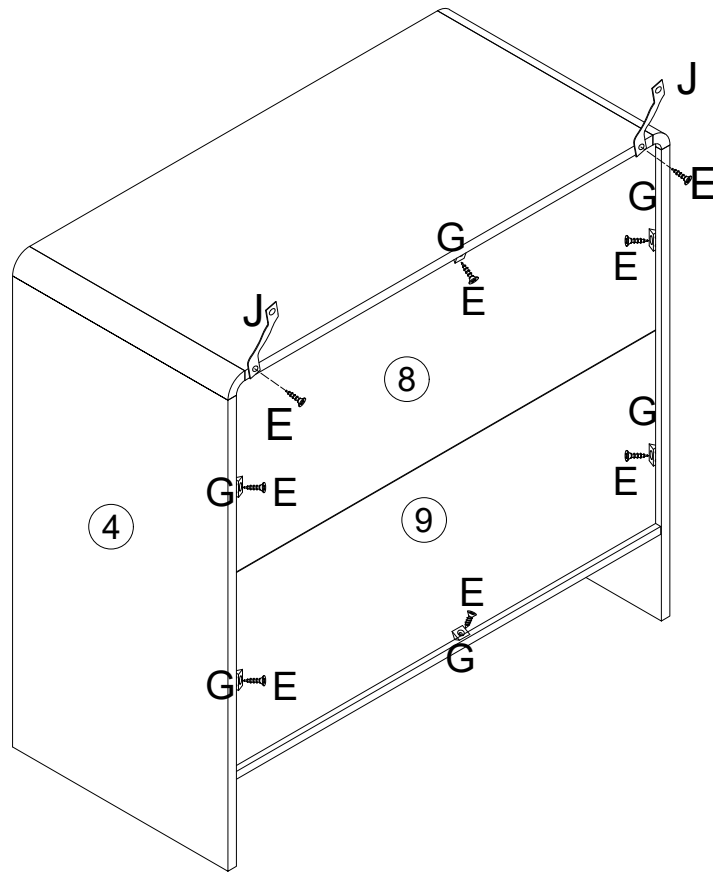


Step 9

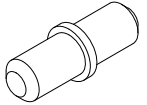
E	×8
	

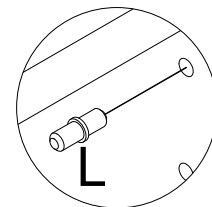
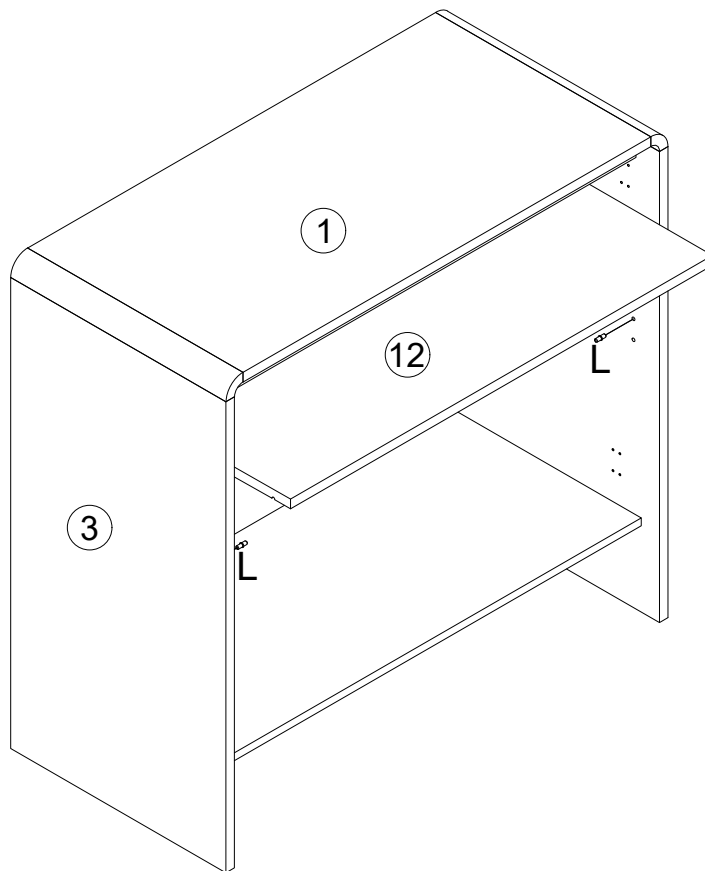
G	×6
	

J	×2
	

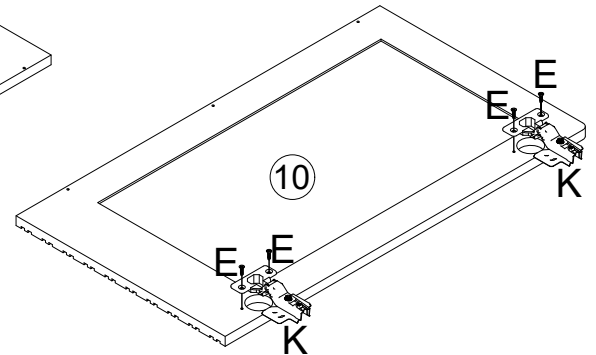
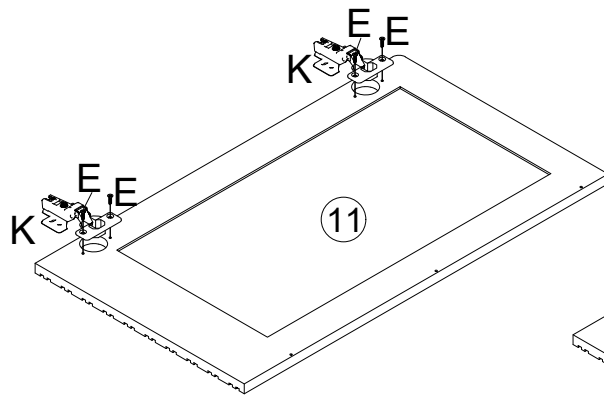
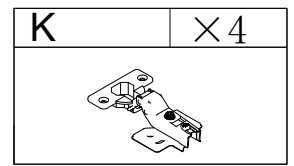
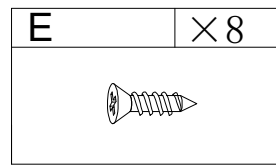
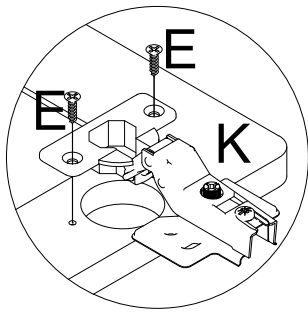


Step 10

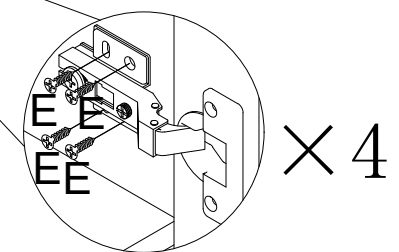
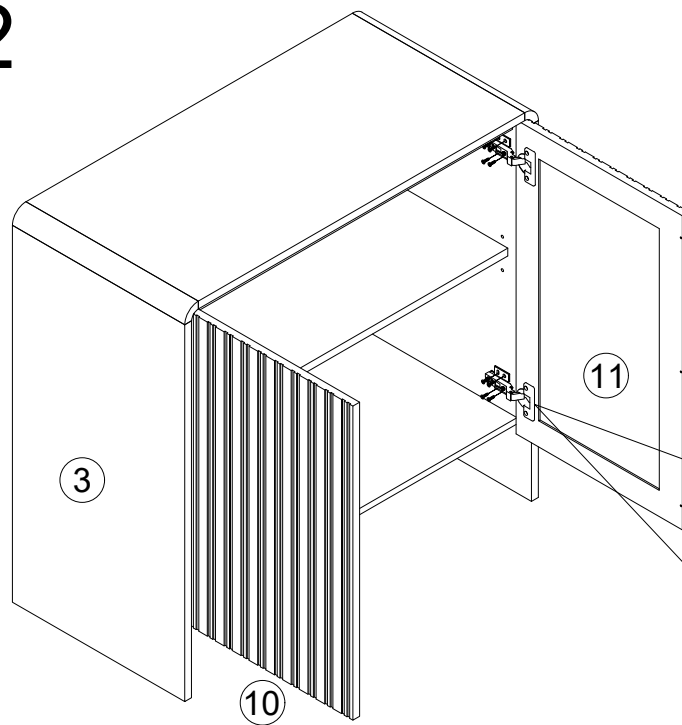
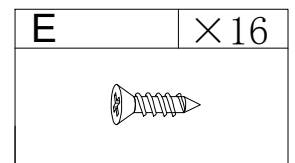
L	×4
	



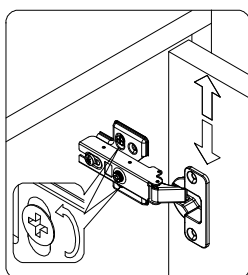
Step 11



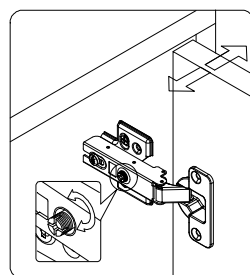
Step 12



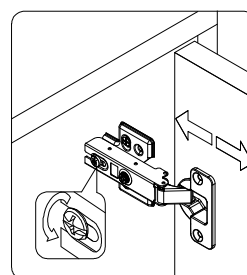
How do I get the two doors to align flat by adjusting the hinges?



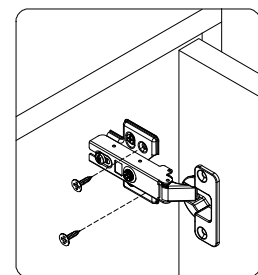
1. Adjust the screws shown in Figure 1 to adjust the door up and down.



2. Adjust the screws shown in Figure 2 and pull the door back and forth so that it can be opened smoothly.

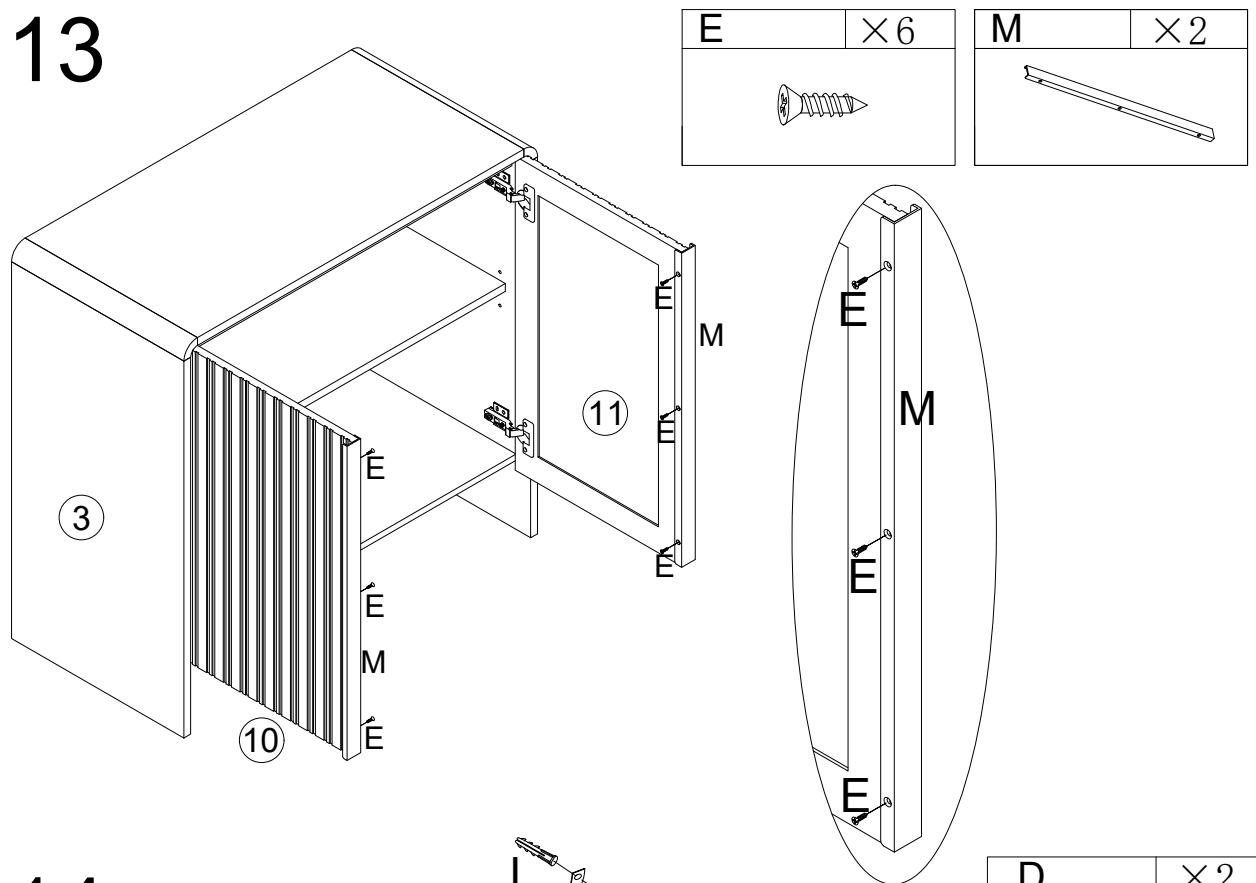


3. Adjust the screws shown in Figure 3 to adjust the door left and right to the right position.

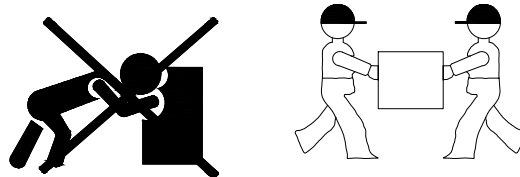
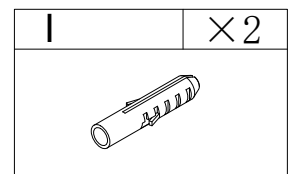
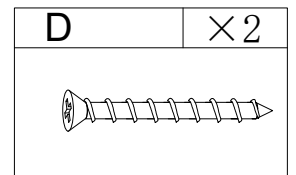
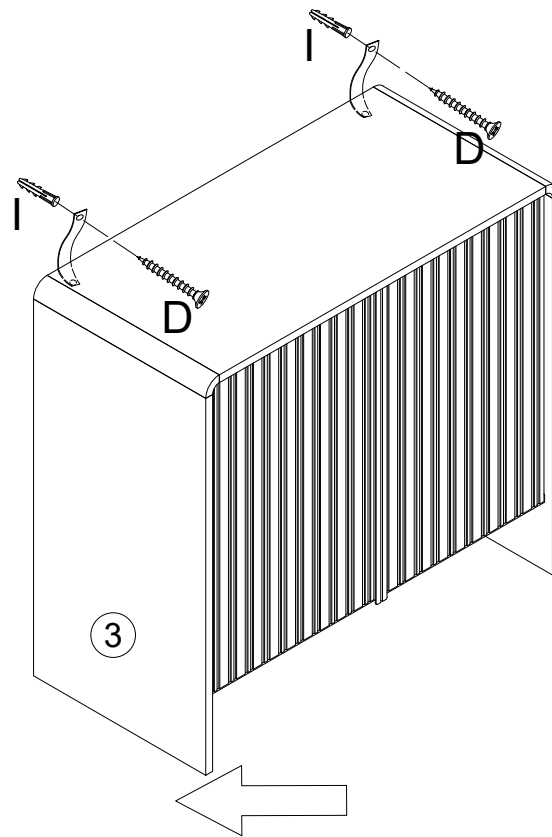
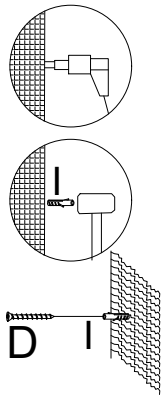


4. After the adjustment is complete, install the remaining two screws to secure the door in place.

Step 13



Step 14



Two people work together to move the table.
Make sure you lift it off the ground.
Don't push and pull.