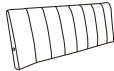
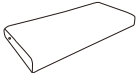


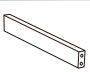

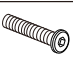



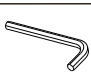

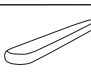
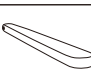
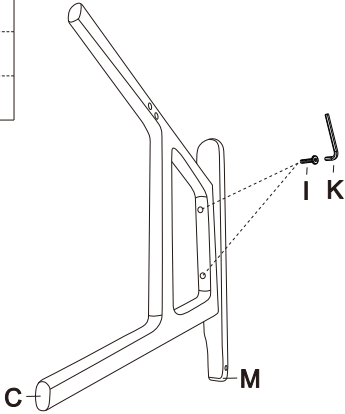


ASSEMBLY INSTRUCTIONS

A		1PC
B		1PC
C		1PC
D		1PC
E		1PC
F	 8*22*1.5	6PCS
G	 M8*60	10PCS
H	 M8*35	2PCS
I	 M6*40	4PCS
J		4PCS
K		1PC
L		6PCS
M		1PC
N		1PC

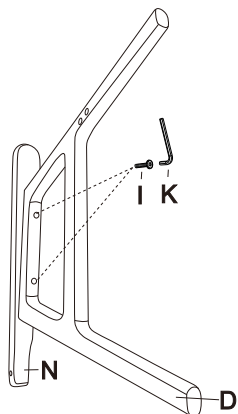
Step1 (screw tightened 100%)

CX 1
IX 2
KX 1
MX 1



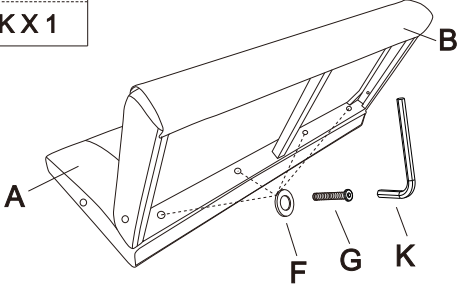
Step2 (screw tightened 100%)

DX 1
IX 2
KX 1
NX 1



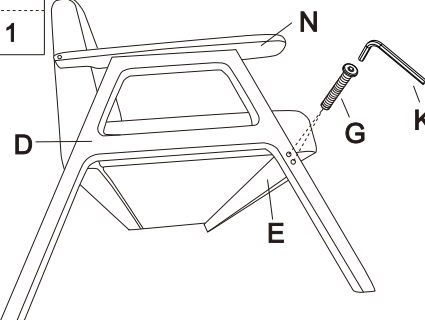
Step3 (screw tightened 80%)

AX 1
BX 1
FX 4
GX 4
KX 1



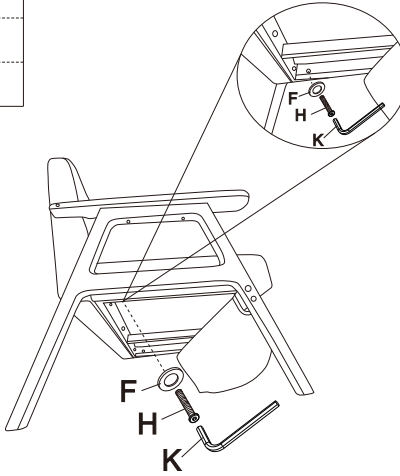
Step4 (screw tightened 80%)

DX 1
EX 1
KX 1
GX 2
NX 1



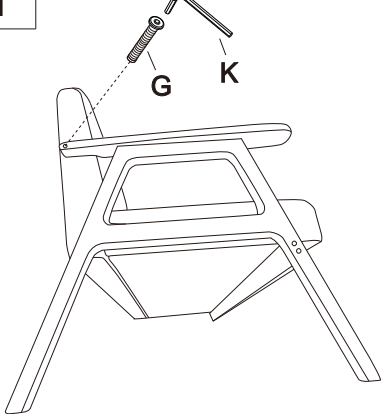
Step5 (screw tightened 80%)

FX 1
HX 1
KX 1



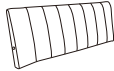
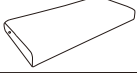


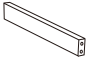









Step6 (screw tightened 80%)

GX 1
KX 1



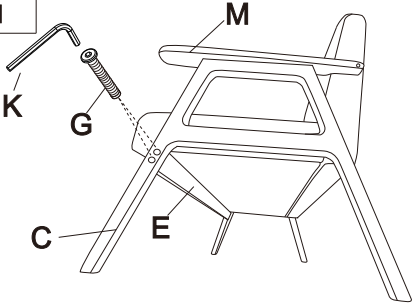
WARNING: *DO NOT STAND ON THE CHAIRS *THESE CHAIRS ARE DESIGNED TO SEAT ONE PERSON ONLY PER CHAIR *DO NOT USE THE CHAIR UNLESS ALL THE BOLTS AND SCREWS ARE FINALLY TIGHTENED
***AT LEAST EVERY FOUR MONTHS,PLEASE CHECK ALL BOLTS AND SCREWS TO MAKE SURE THEY ARE SECURELY TIGHTENED**
***IF ANY PARTS ARE MISSING,BROKEN,DAMAGED OR WORN,STOP USING THIS PRODUCT IMMEDIATELY UNTIL REPAIRS ARE MADE**
***FAILURE TO FOLLOW THESE WARNINGS COULD RESULT IN SERIOUS INJURY**

ASSEMBLY INSTRUCTIONS

A		1PC
B		1PC
C		1PC
D		1PC
E		1PC
F	 8*22*1.5	6PCS
G	 M8*60	10PCS
H	 M8*35	2PCS
I	 M6*40	4PCS
J		4PCS
K		1PC
L		6PCS
M		1PC
N		1PC

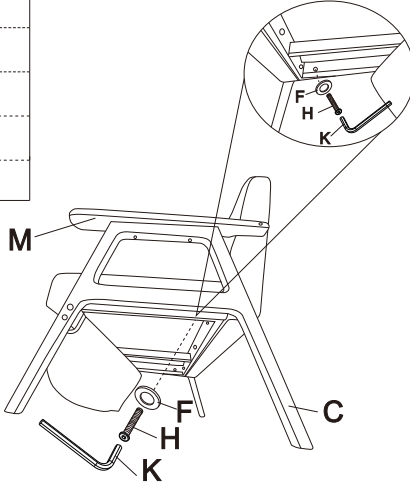
Step7 (screw tightened 80%)

EX 1
GX 2
KX 1
MX 1
CX 1



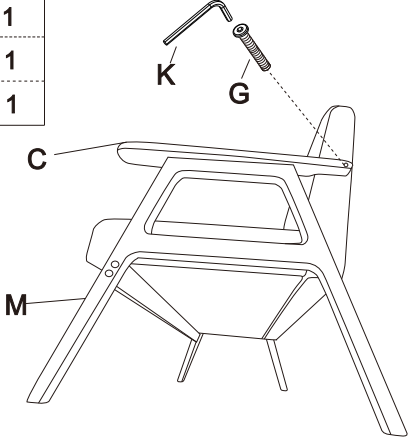
Step8 (screw tightened 80%)

FX 1
HX 1
KX 1
MX 1
CX 1



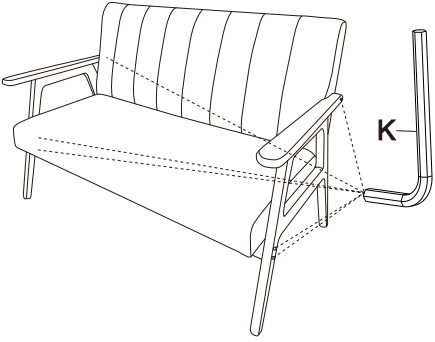
Step9 (screw tightened 100%)

CX 1
KX 1
GX 1
MX 1



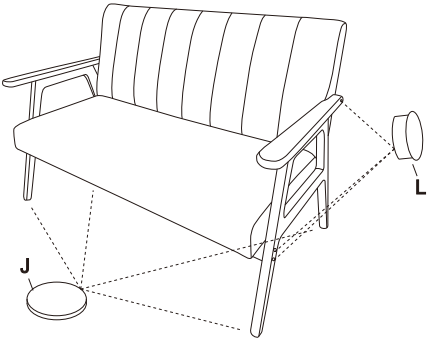
Step10 (screw tightened 100%)

KX 1



Step11

JX 4
LX 6



Step12



WARNING: *DO NOT STAND ON THE CHAIRS *THESE CHAIRS ARE DESIGNED TO SEAT ONE PERSON ONLY PER CHAIR *DO NOT USE THE CHAIR UNLESS ALL THE BOLTS AND SCREWS ARE FINALLY TIGHTENED
***AT LEAST EVERY FOUR MONTHS,PLEASE CHECK ALL BOLTS AND SCREWS TO MAKE SURE THEY ARE SECUREY TIGHTENED**
***IF ANY PARTS ARE MISSING,BROKEN,DAMAGED OR WORN,STOP USING THIS PRODUCT IMMEDIATELY UNTIL REPAIRS ARE MADE**
***FAILURE TO FOLLOW THESE WARNINGS COULD RESULT IN SERIOUS INJURY**