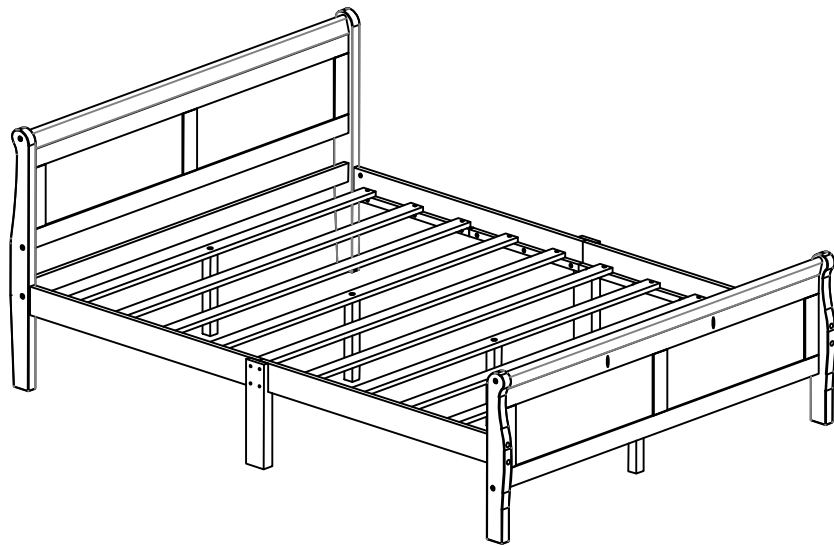


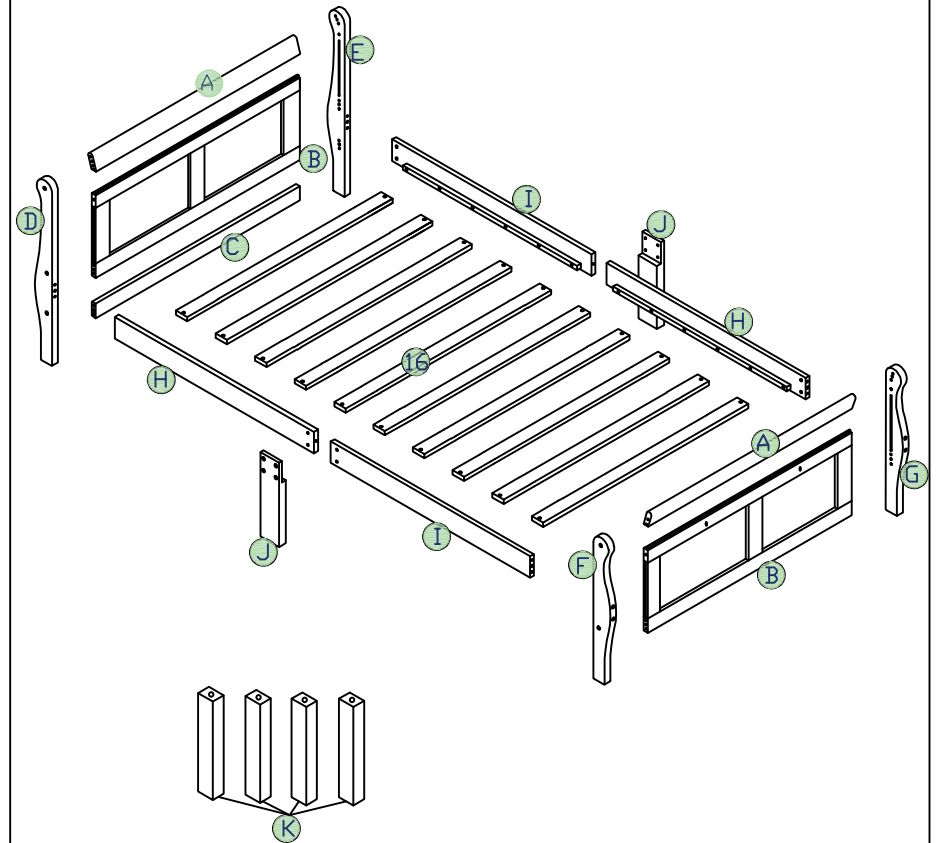
ASSEMBLY INSTRUCTIONS

Platform Queen Bed



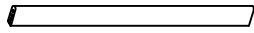

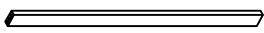
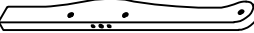
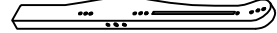

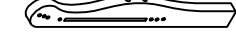
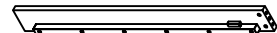
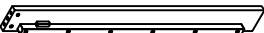

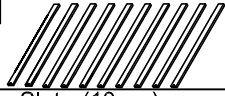
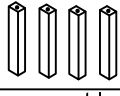
1

Detail View

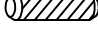








2

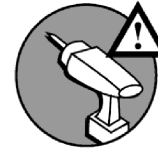
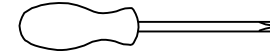
Part List

A 	B 	C 
Cap for HB & FB - 2pcs	HB & FB - 2pcs	Horizontal bar - 1pc
D 	E 	F 
Leg headboard(Left) - 1pc	Leg headboard(Right) - 1pc	Leg footboard(Right) - 1pc
G 	H 	I 
Leg footboard(Left) - 1pc	Side rail left & right - 2pcs	Side rail left & right - 2pcs
J 	16 	K 
Side rail support - 2pcs	Slat - (10pcs)	Center support leg - 4pcs

Hardware List

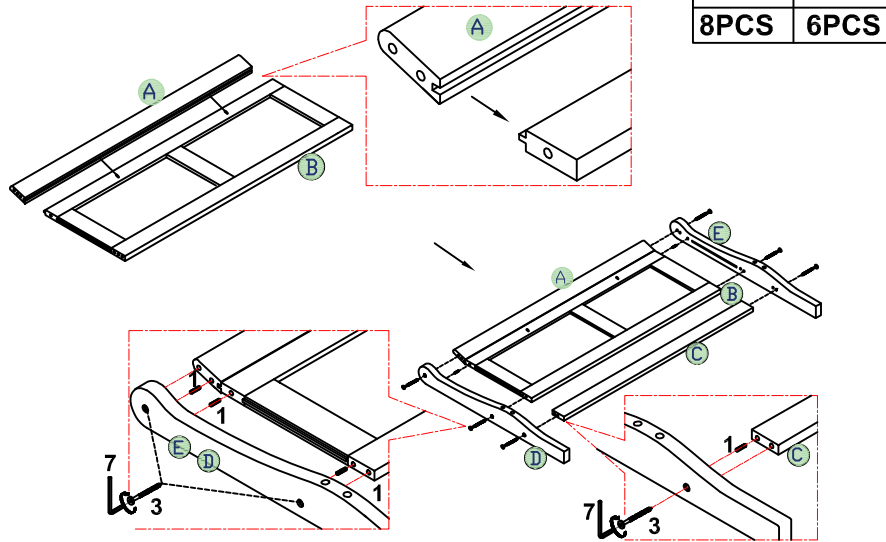
1  Ø10*30mm Wood dowel (20pcs)	2  (Ø15)1/4**100mm Hex-Head bolts (8pcs)	3  Ø6**80mm Hex-Head bolts (10pcs)
4  (Ø15)1/4**30mm Hex-Head bolts (12pcs)	5  #4*30mm Wood screws (24pcs)	6  Ø1/4**15 (9.5mm) Horizontal-Hole bolts(8pcs)
7  (1/4")4.5*58mm Allen key (1pc)		

ASSEMBLY TOOLS REQUIRED (NOT INCLUDED)

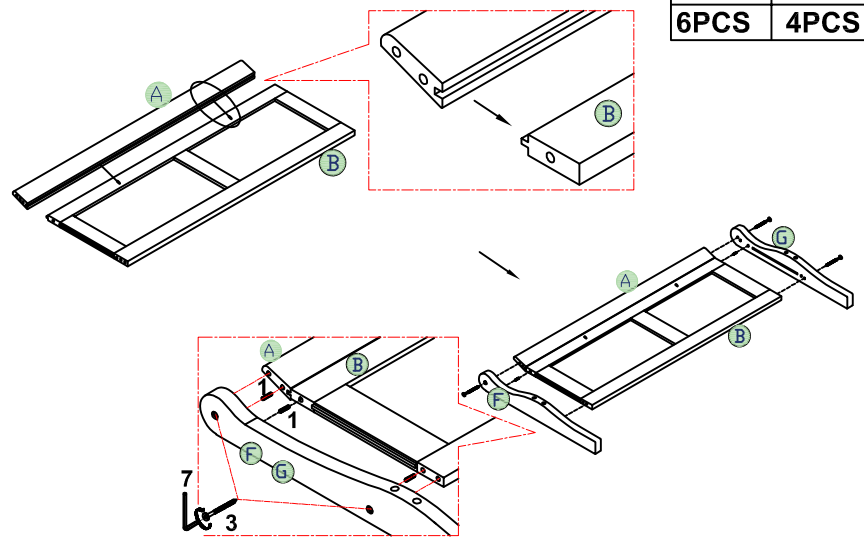


PLEASE BE CAREFUL DO NOT DAMAGE THE HOLE POSITION WHEN YOU USE POWER TOOLS !

STEP 1:

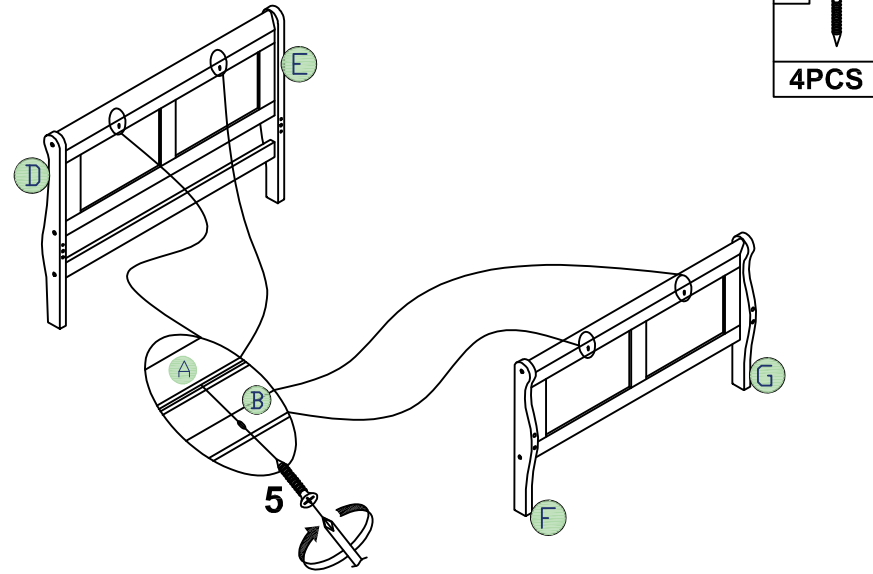


STEP 2:

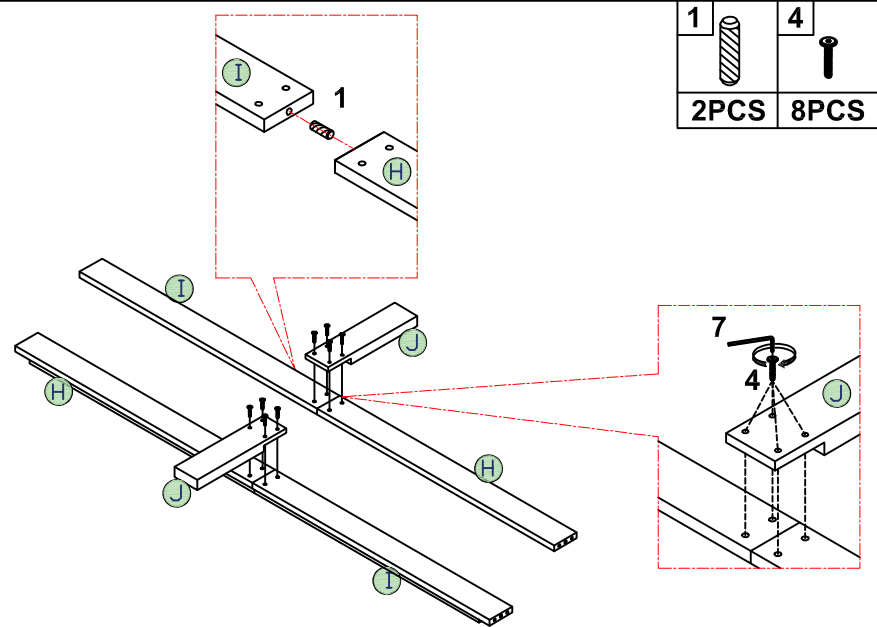


5

5

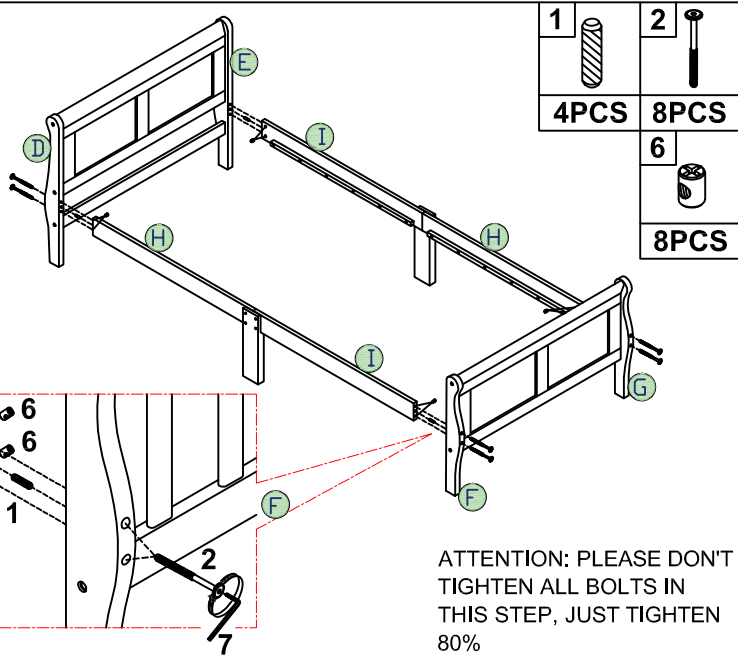


1		4	
2PCS		8PCS	



6

STEP 3:

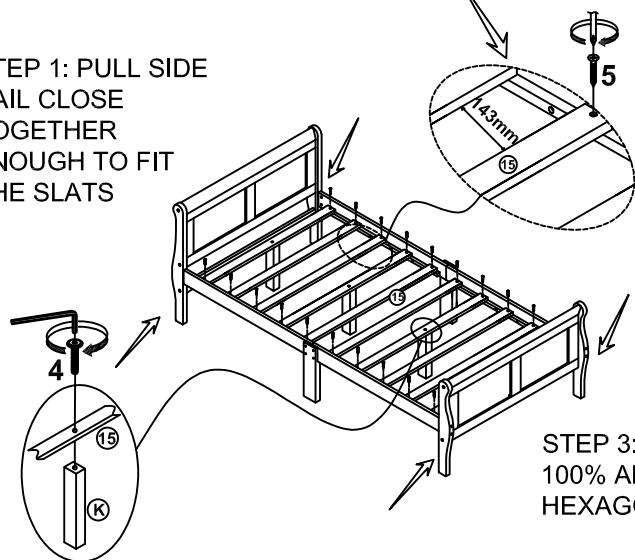


1		2	
4PCS		8PCS	
		6	
		8PCS	

STEP 4:

STEP 1: PULL SIDE RAIL CLOSE TOGETHER ENOUGH TO FIT THE SLATS

STEP 2: SCREW ALL SLATS



4		5	
4PCS		20PCS	

COMPLETED

