

Assembly Instructions

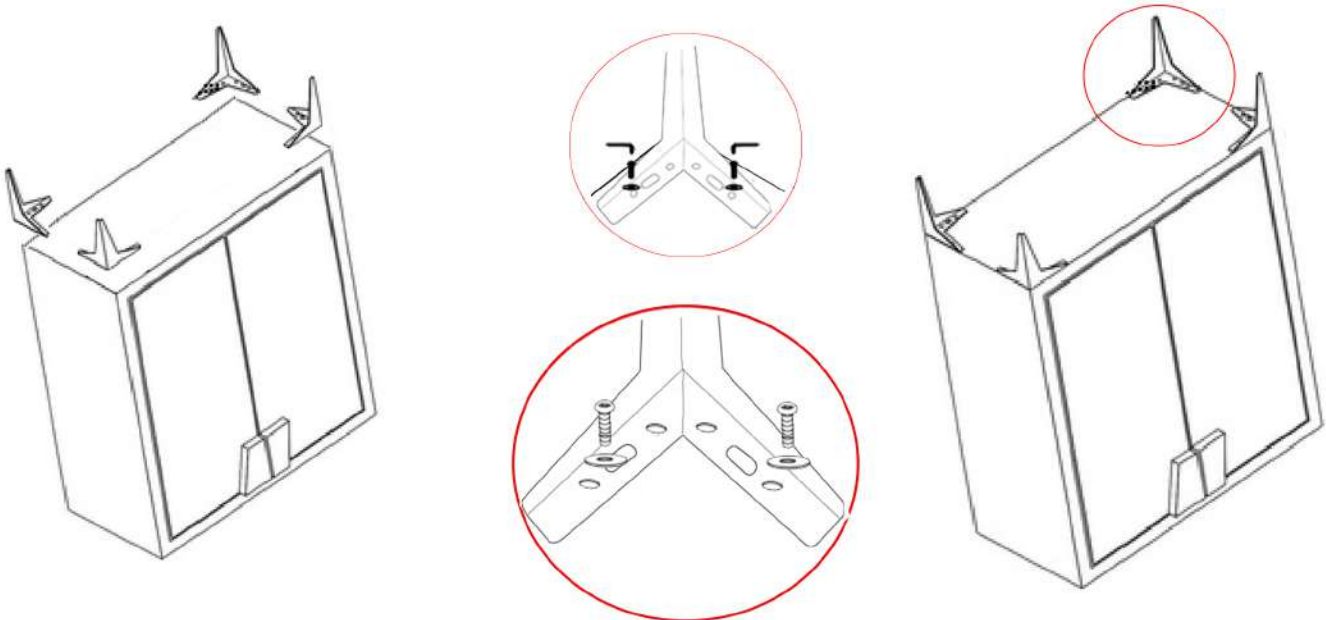
Item No. 92515

Thank you for purchasing this quality product. Be Sure to check all packing material carefully for small parts that may have come loose inside the carton during shipment.

(Note : Loosely thread all screws / bolts first. Once the Item is assembled then completely tighten.)

PARTS LIST :				HARDWARE LIST :				
NO.	DESCRIPTION	SKETCH	QTY	NO.	DESCRIPTION	SKETCH	SIZE	QTY
A	CABINET		1	C	BOLT		1/4" x 1"	8+(1) extra
				D	ALLEN KEY		1/4"	1
B	METAL LEGS		4	E	WASHER		0.35x 3/4"	8+(1) extra

STEP : 1 FIX THE METAL LEGS TO CABINET, MATCH HOLE AND SCREW THE BOLT (1/4" X 1") AND WASHER TIGHTEN IT WITH ALLEN KEY (1/4") AS SHOWN BELOW



Tip A: Sometimes the Furniture will not balance because of an uneven floor surface its rests on. In that case, try adjusting the levelers found on the bottom of each foot to aid in correcting.

