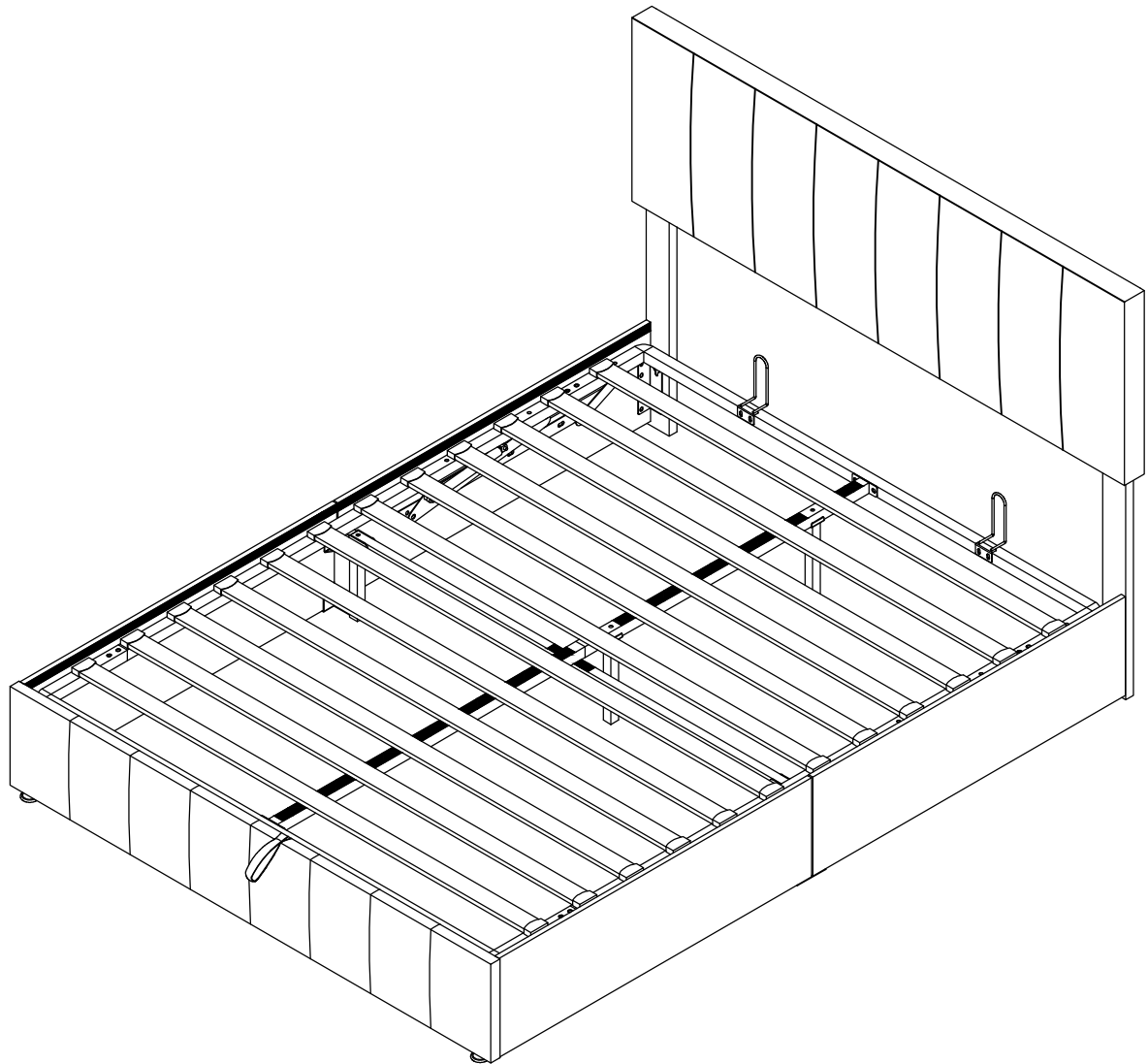


ASSEMBLY INSTRUCTION

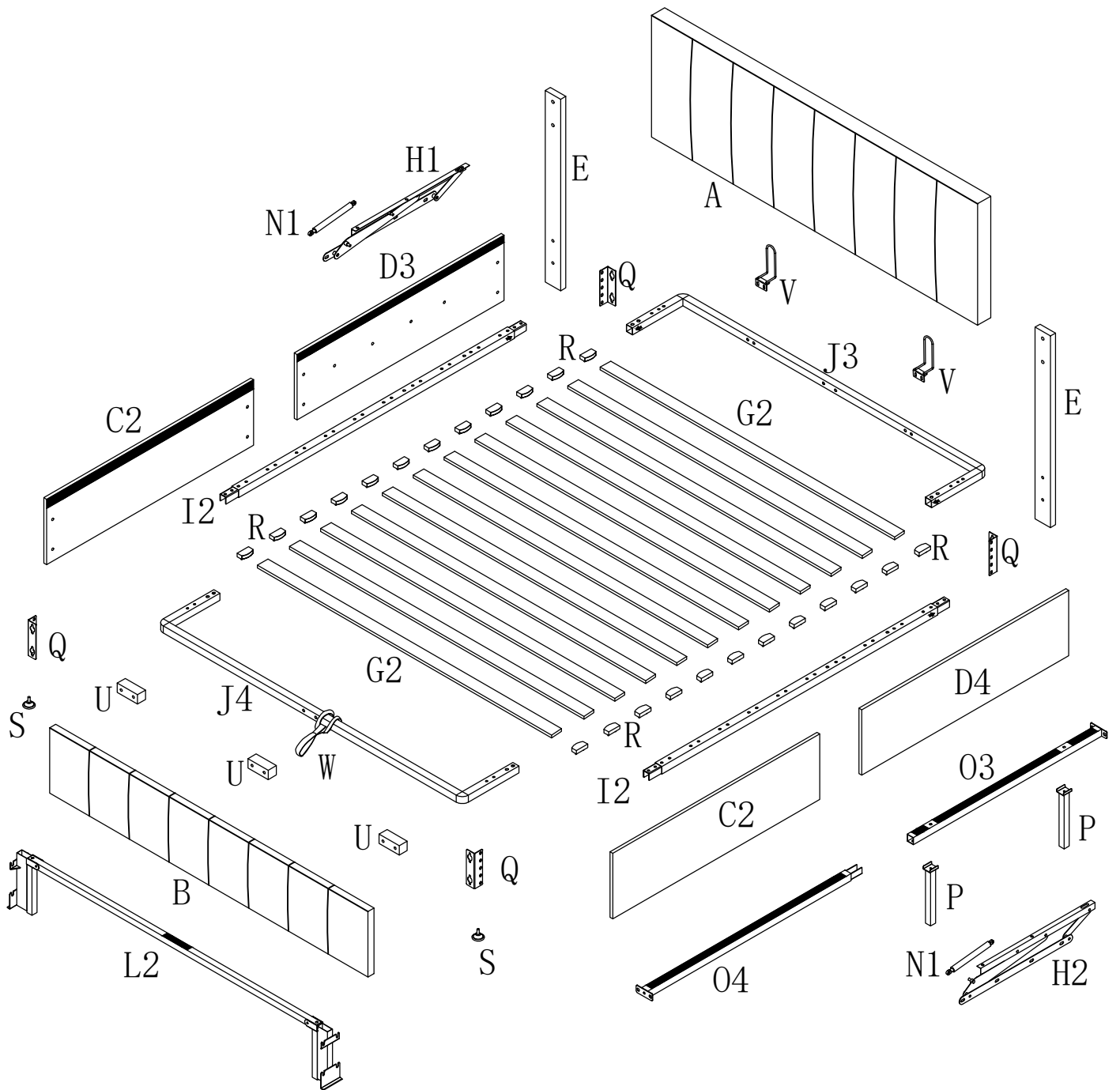
INSTRUCTIONS DE MONTAGE

Queen Size



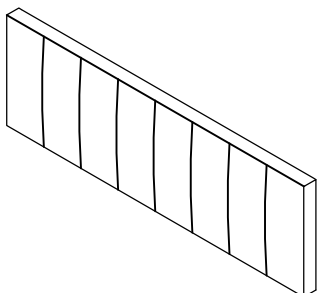
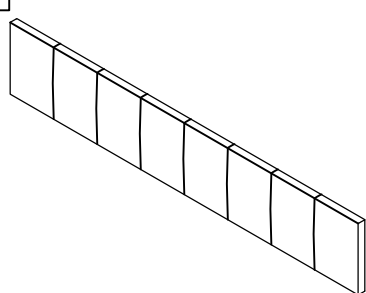
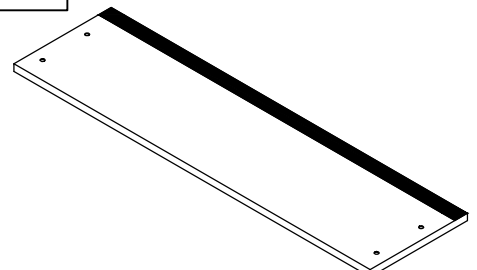
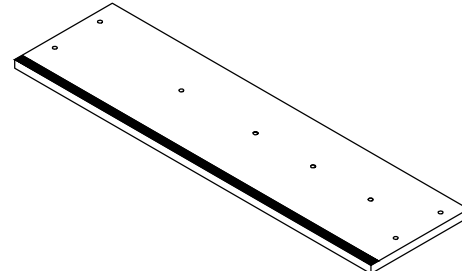
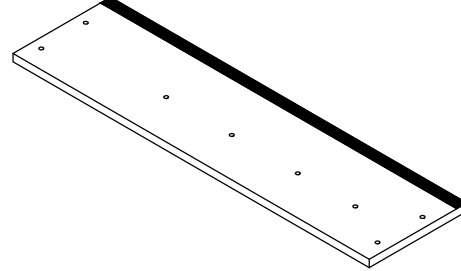

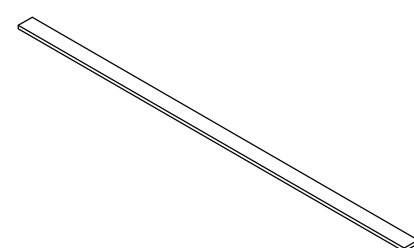
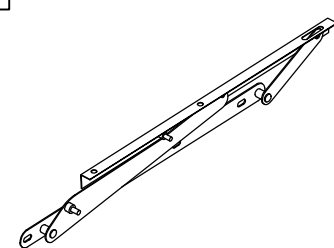
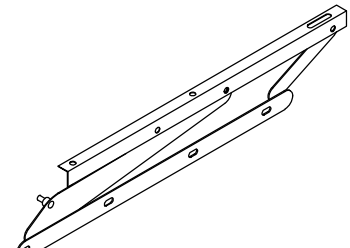
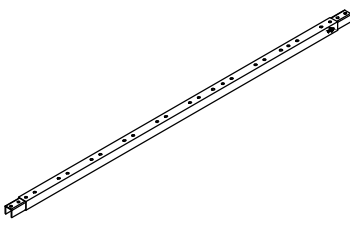
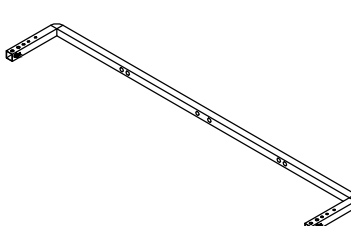
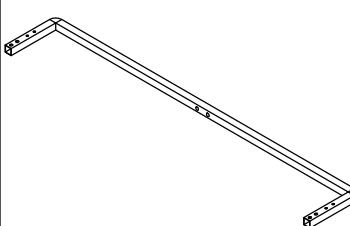
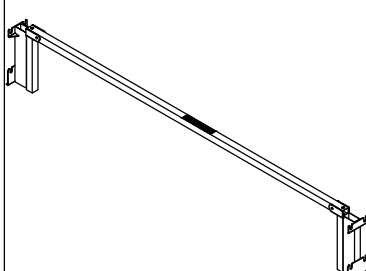
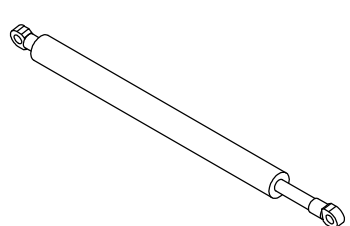
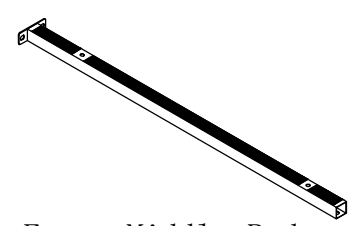


ASSEMBLY INSTRUCTION

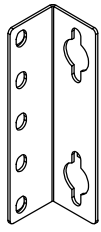
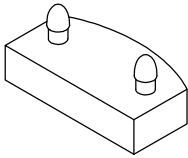
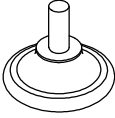
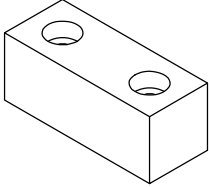
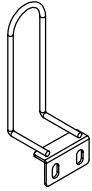

INSTRUCTIONS DEMONTAGE



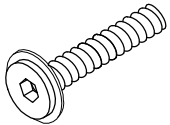
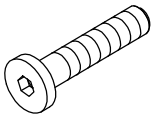
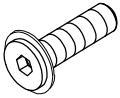
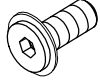
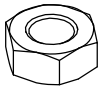

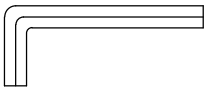
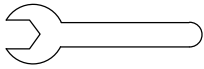
Part list & Hardware list

liste des pièces et liste du matériel

<p>A</p>  <p>Headboard-1PC</p>	<p>B</p>  <p>Footboard-1PC</p>	<p>C2</p>  <p>Rear Side Of The Bed(R)-2PCS</p>	
<p>D3</p>  <p>Front Side Of The Bed(L)-1PC</p>	<p>D4</p>  <p>Front Side Of The Bed(R)-1PC</p>	<p>E</p>  <p>Leg Headboard-2PCS</p>	
<p>G2</p>  <p>Slat-12PCS</p>	<p>H1</p>  <p>Hydraulic (L)-1PC</p>	<p>H2</p>  <p>Hydraulic (R)-1PC</p>	
<p>I2</p>  <p>Side tube-2PCS</p>	<p>J3</p>  <p>connect HB Front Rail-1PC</p>	<p>J4</p>  <p>connect FB Back Rail-1PC</p>	<p>L2</p>  <p>Bar Rail-1PC</p>
<p>N1</p>  <p>Hydraulic Bar-2PCS</p>	<p>O3</p>  <p>Front Middle Bed Beam-1PC</p>	<p>O4</p>  <p>Rear Middle Bed Beam-1PC</p>	<p>P</p>  <p>Support Foot-2PCS</p>

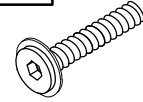

<p>Q</p>  <p>Metal Plate -4PCS</p>	<p>R</p>  <p>Plastic Caps(Single)-24PCS</p>	<p>S</p>  <p>Legs-2PCS</p>	<p>U</p>  <p>Plastic Block-3PCS</p>
<p>V</p>  <p>Block Bar-2PCS</p>	<p>W</p>  <p>Straps-1PC</p>		

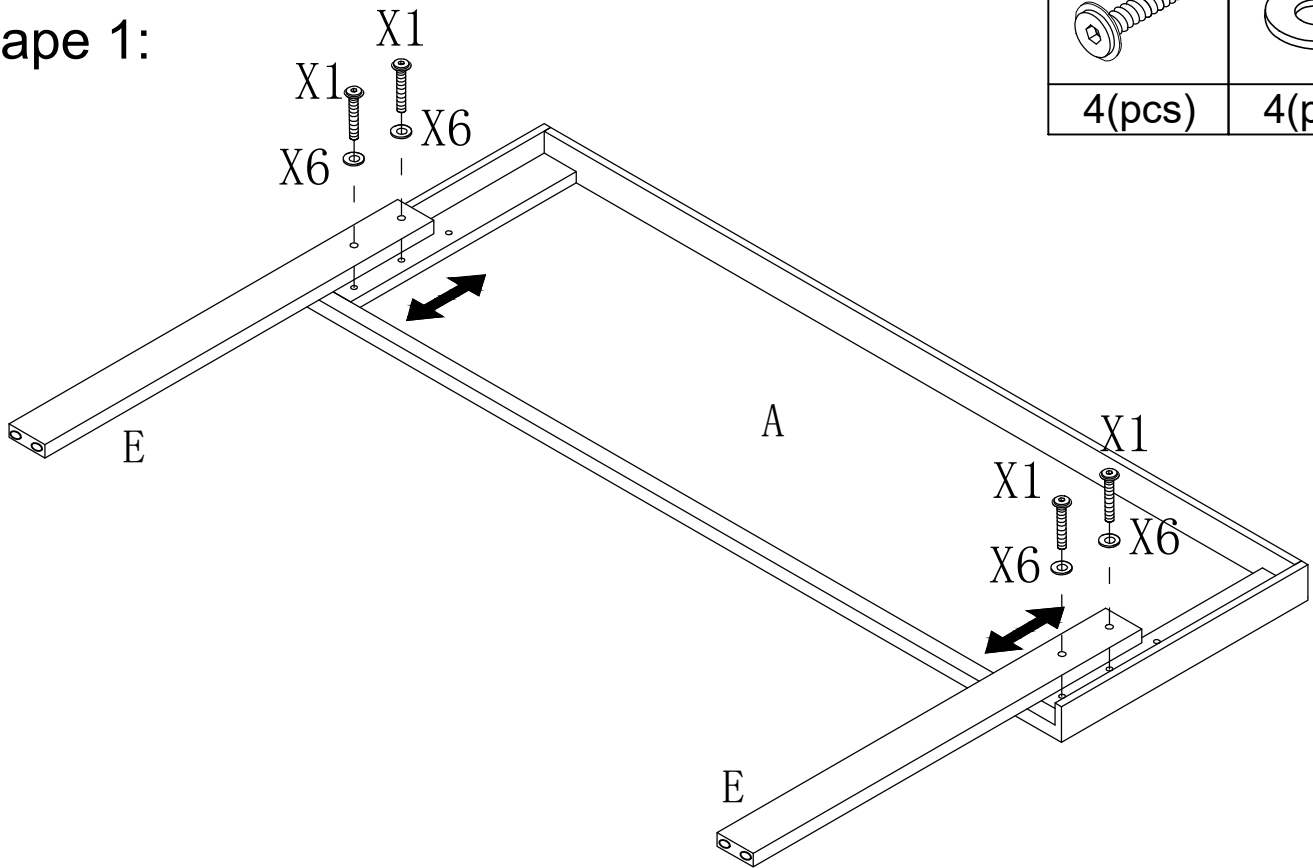
Hardware List
Liste du matériel

<p>X1</p>  <p>M8*50mm 10PCS</p>	<p>X2</p>  <p>M8*45mm 10PCS</p>	<p>X3</p>  <p>M8*30mm 16PCS</p>	<p>X4</p>  <p>M8*18mm 34PCS</p>	<p>X5</p>  <p>M8 10PCS</p>
<p>X6</p>  <p>∅22*∅8.5 4PCS</p>	<p>X7</p>  <p>M8 Spanner 1PC</p>	<p>X8</p>  <p>M8 1PC</p>		

STEP 1:

Étape 1:

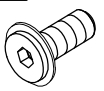
X1	X6
	
4(pcs)	4(pcs)

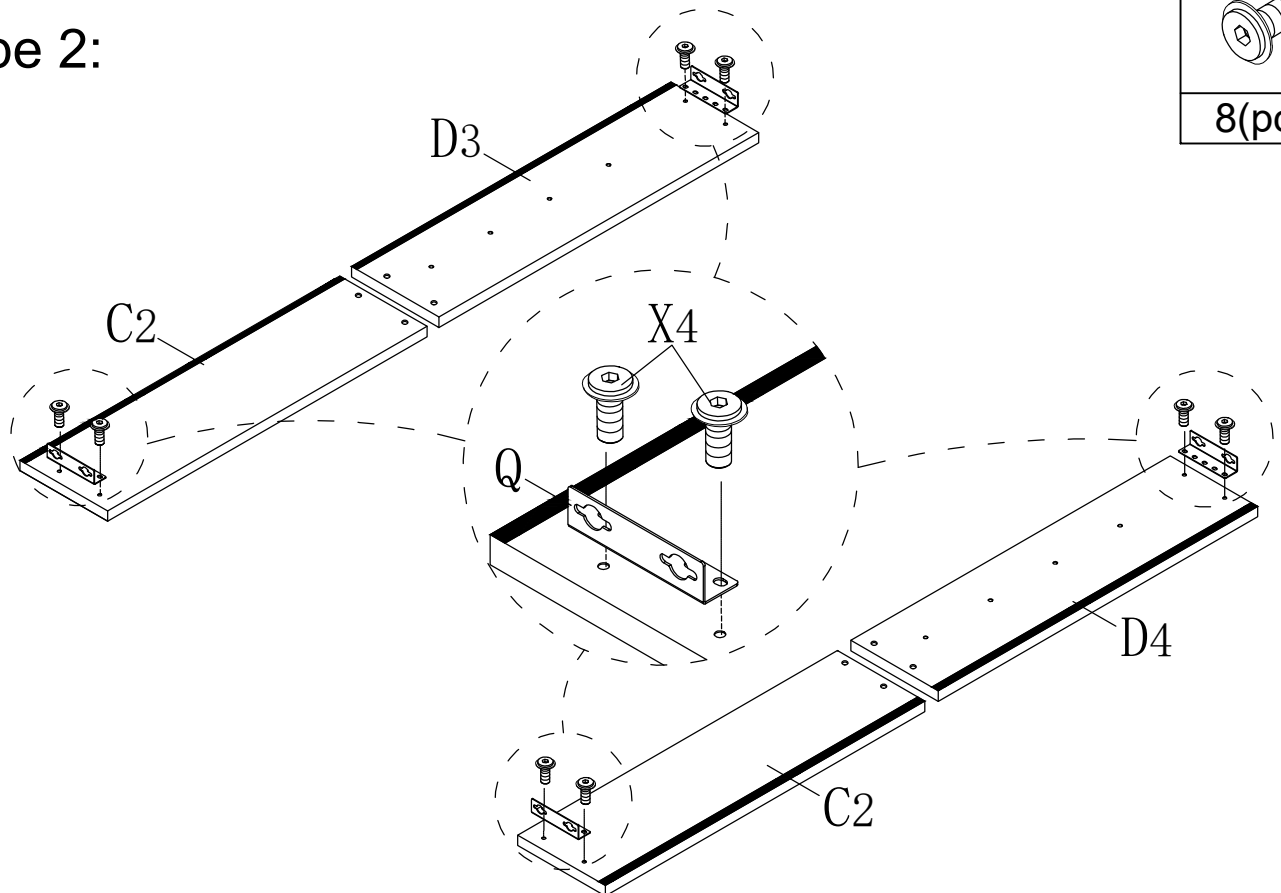


Headboard height is adjustable

STEP 2:

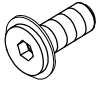
Étape 2:

X4

8(pcs)

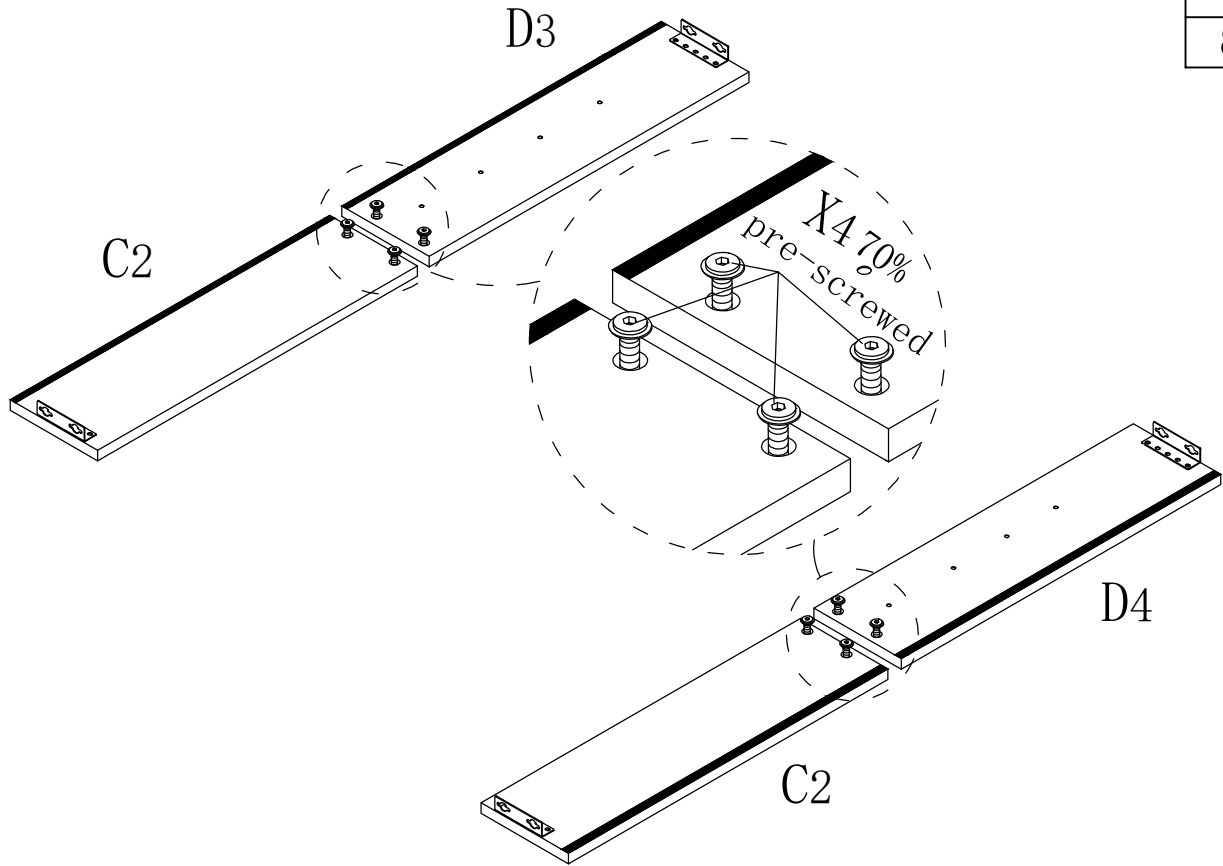


STEP 3:
Étape 3:

X4

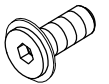


8(pcs)

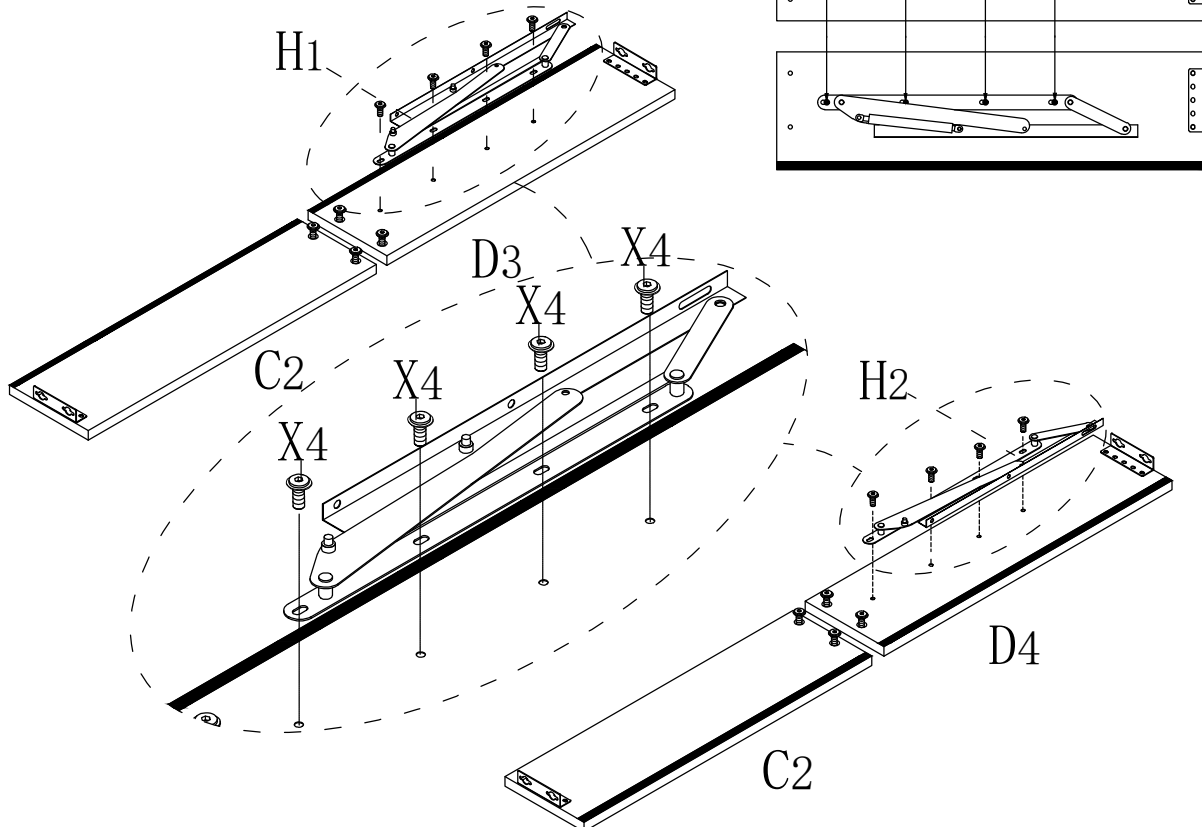


STEP 4:
Étape 4:

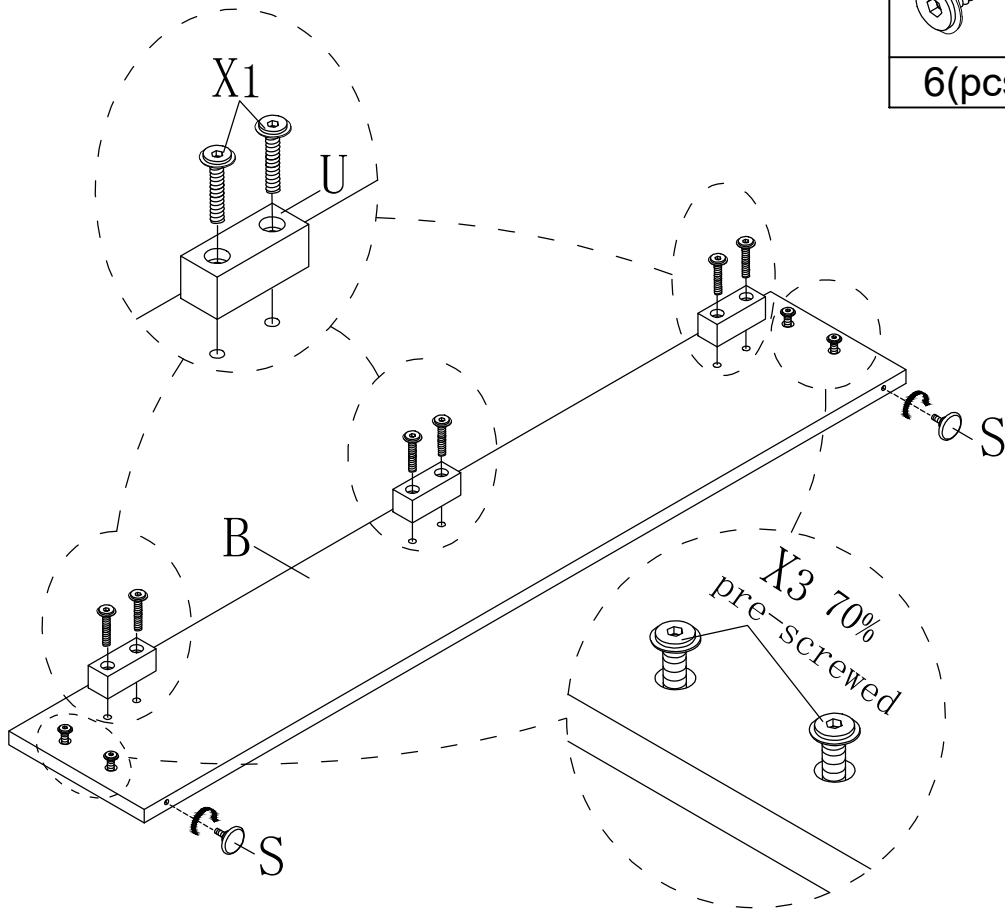
X4

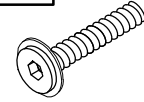
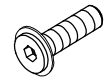


8(pcs)

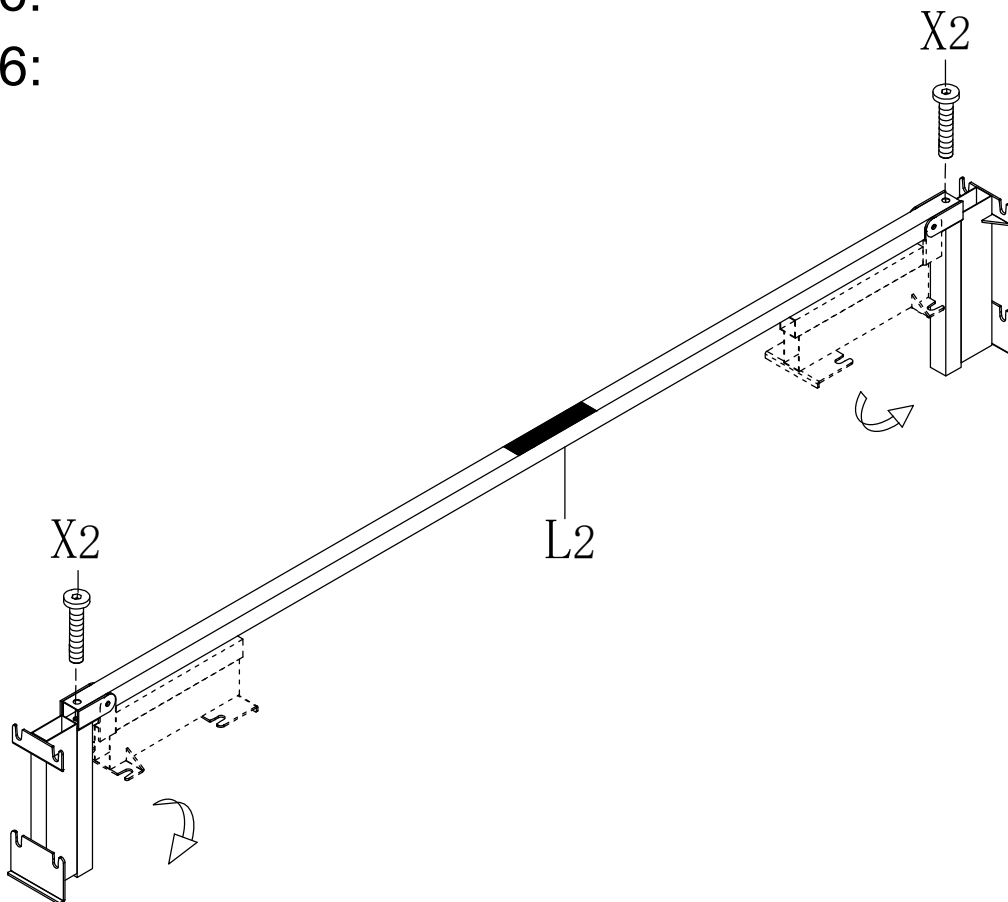


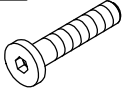
STEP 5:
Étape 5:



X1	X3
	
6(pcs)	4(pcs)

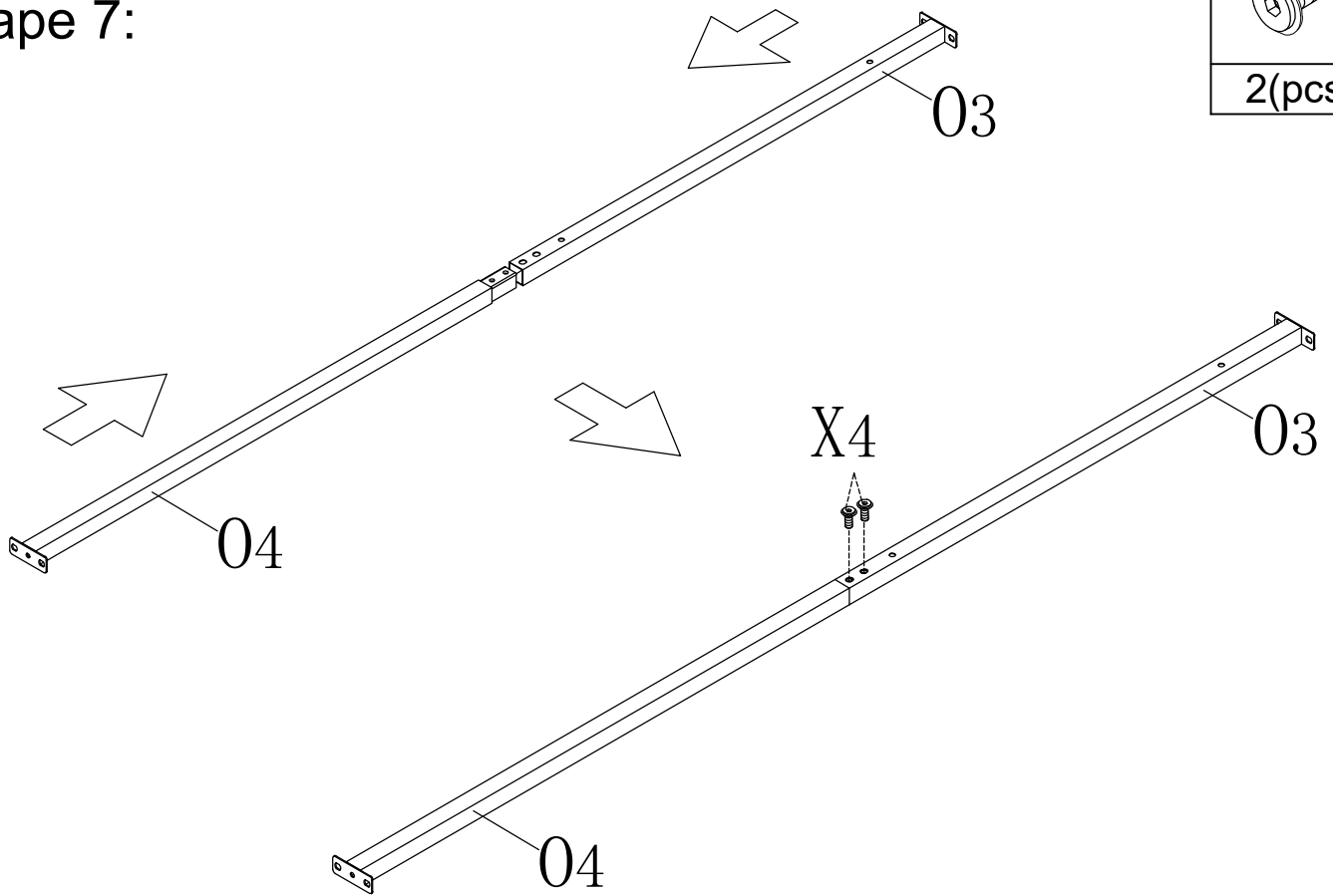
STEP 6:
Étape 6:



X2

2(pcs)

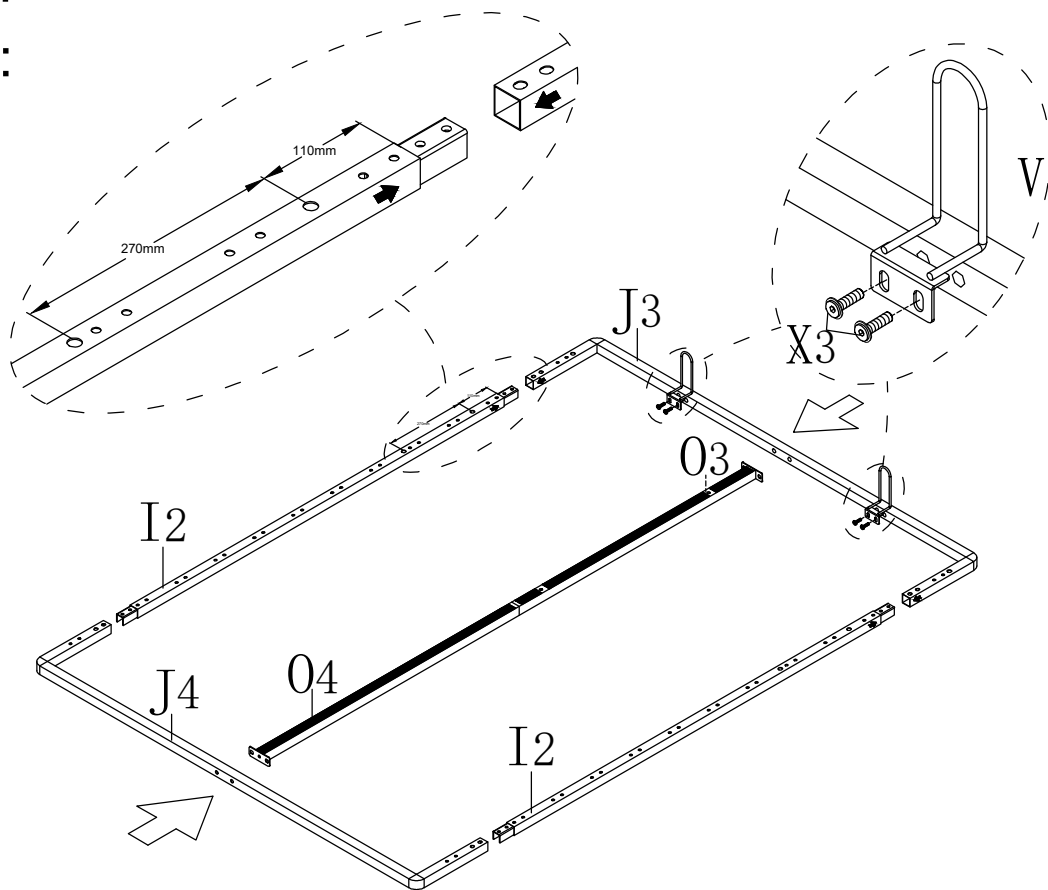
STEP 7:
Étape 7:

X4
2(pcs)

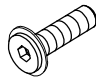
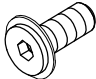


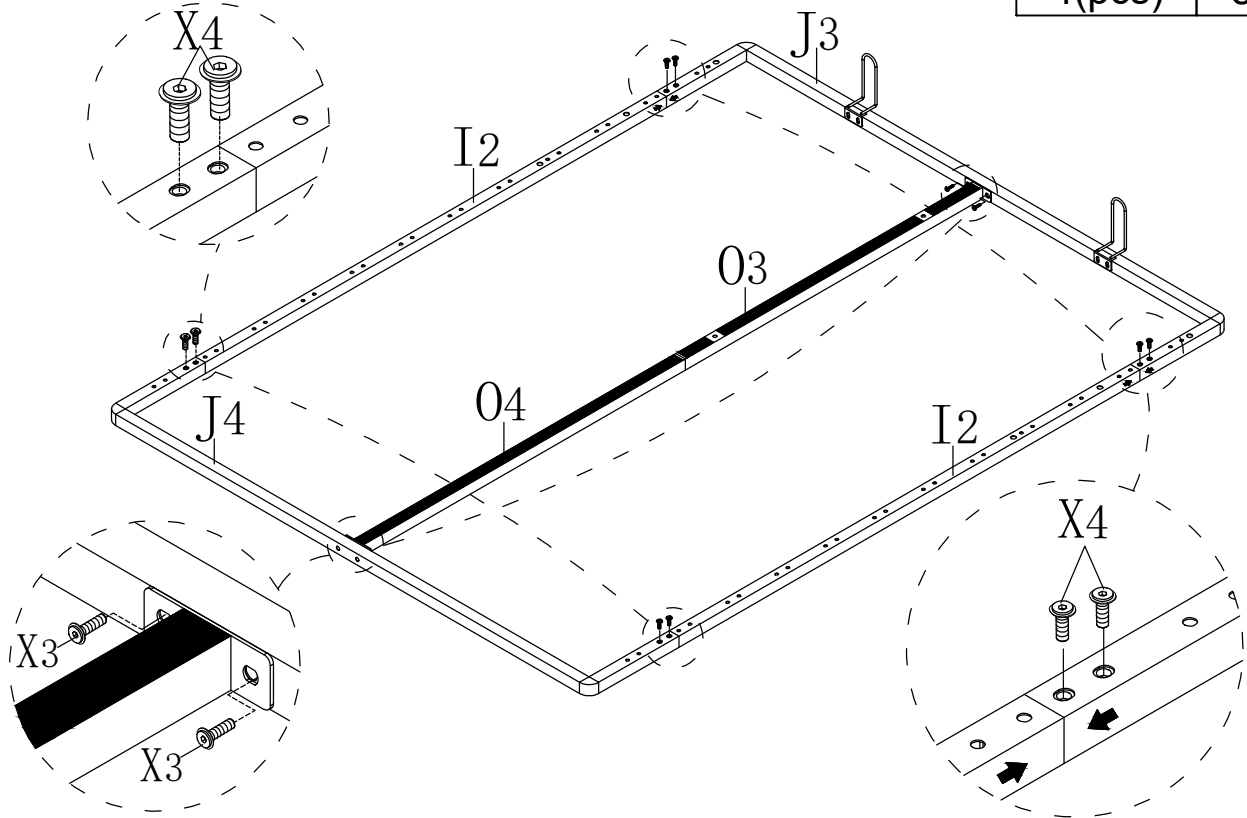
STEP 8:
Étape 8:

X3
4(pcs)

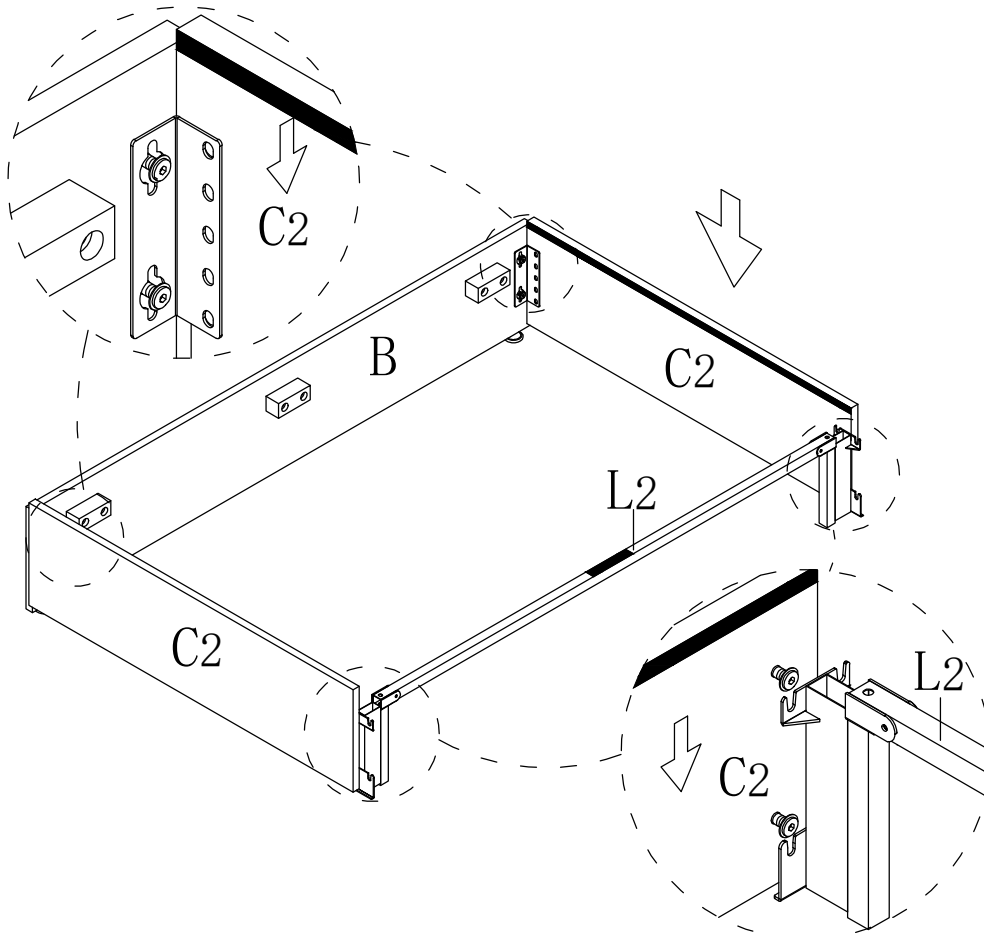


STEP 9:
Étape 9:

X3	X4
	
4(pcs)	8(pcs)



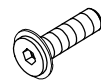
STEP 10:
Étape 10:



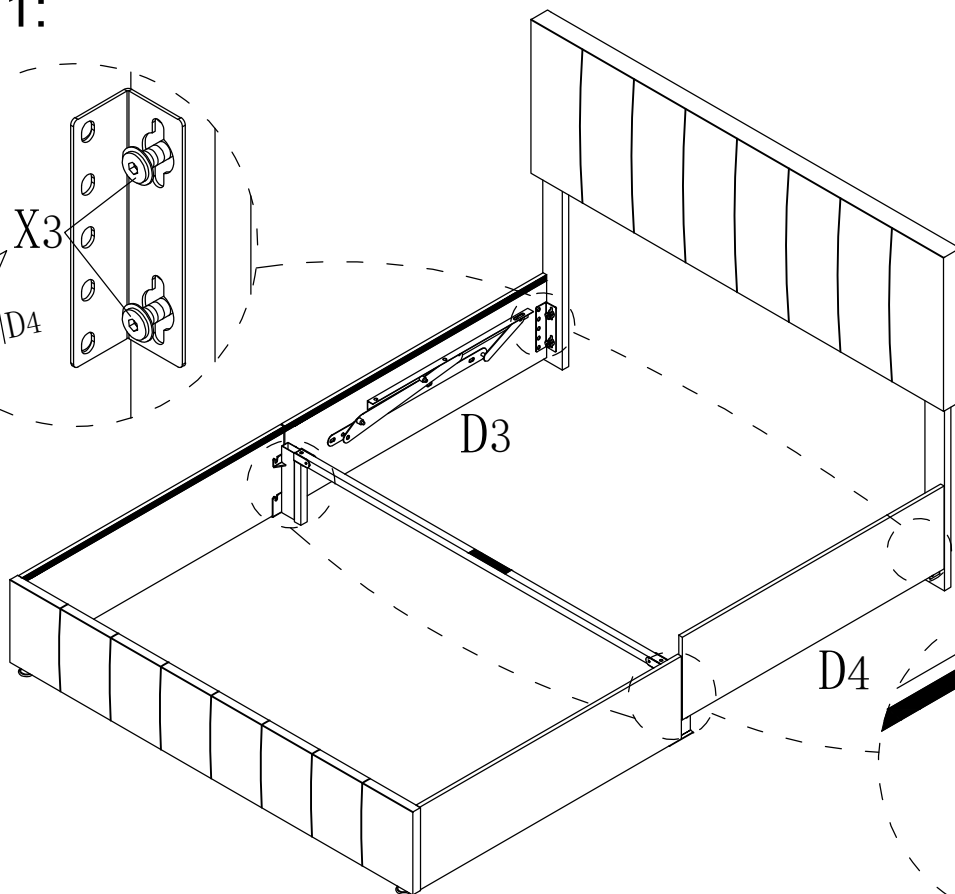
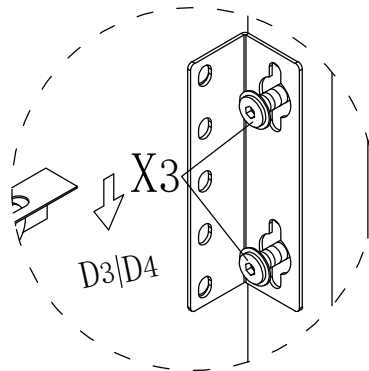
STEP 11:

Étape 11:

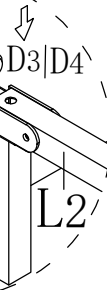
X3



4(pcs)



D4

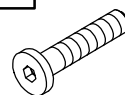


L2

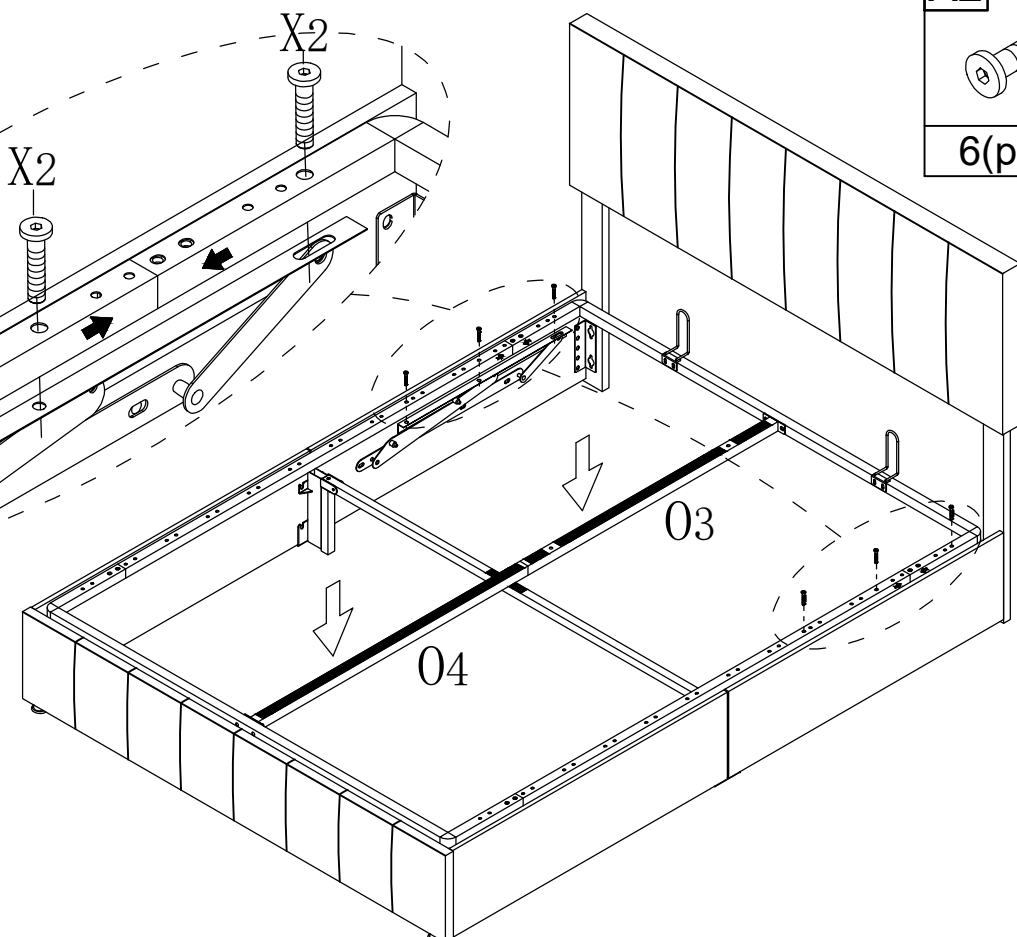
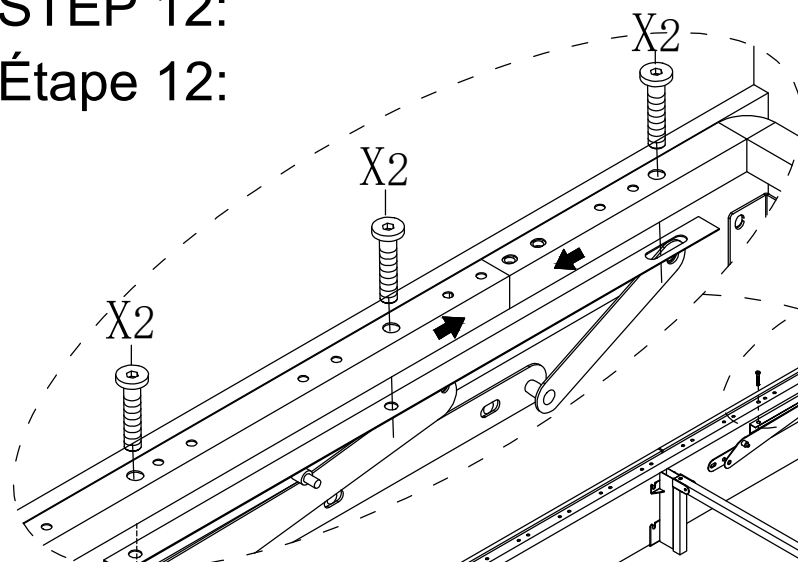
STEP 12:

Étape 12:

X2



6(pcs)

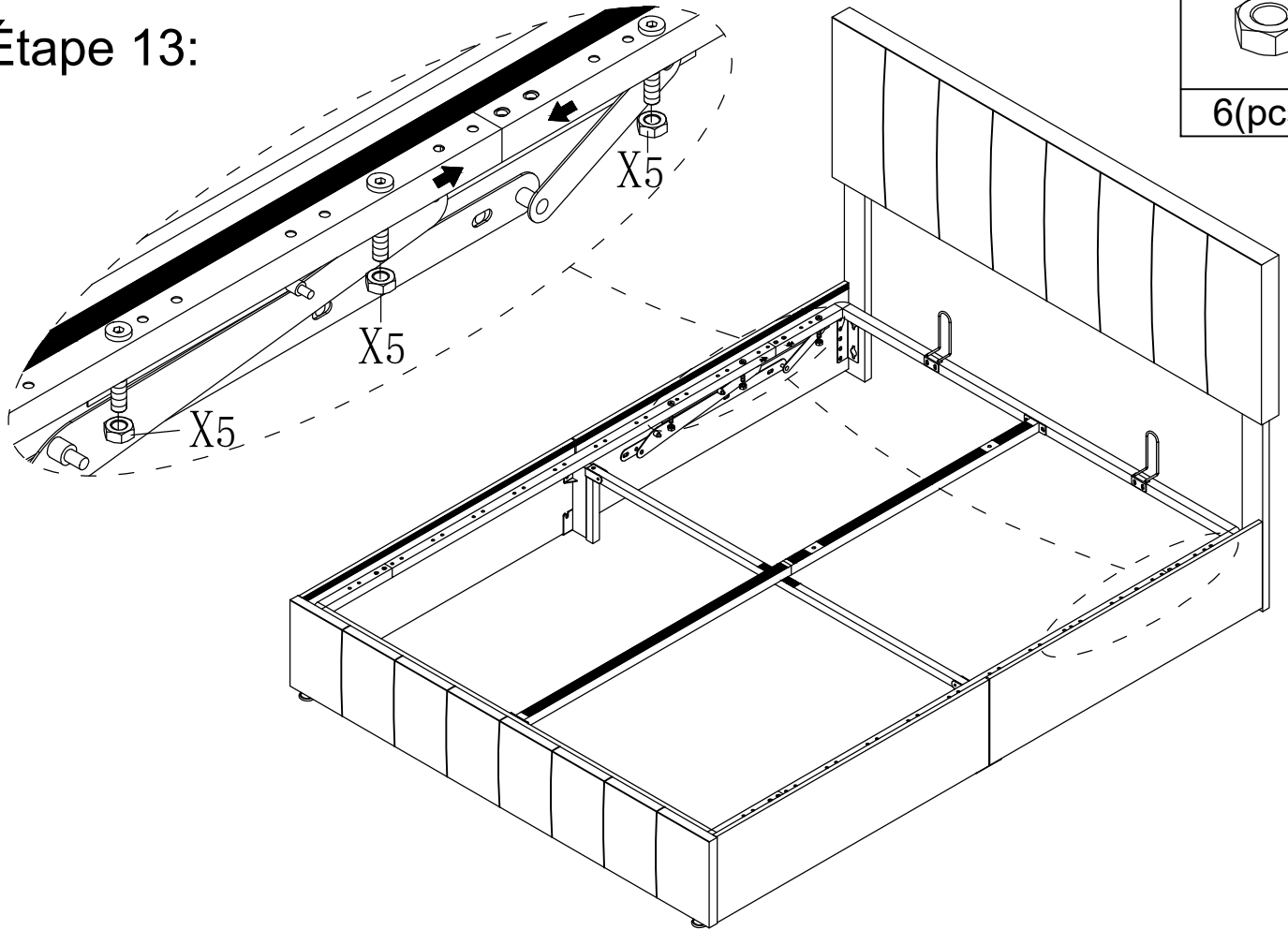


03

04

STEP 13:

Étape 13:



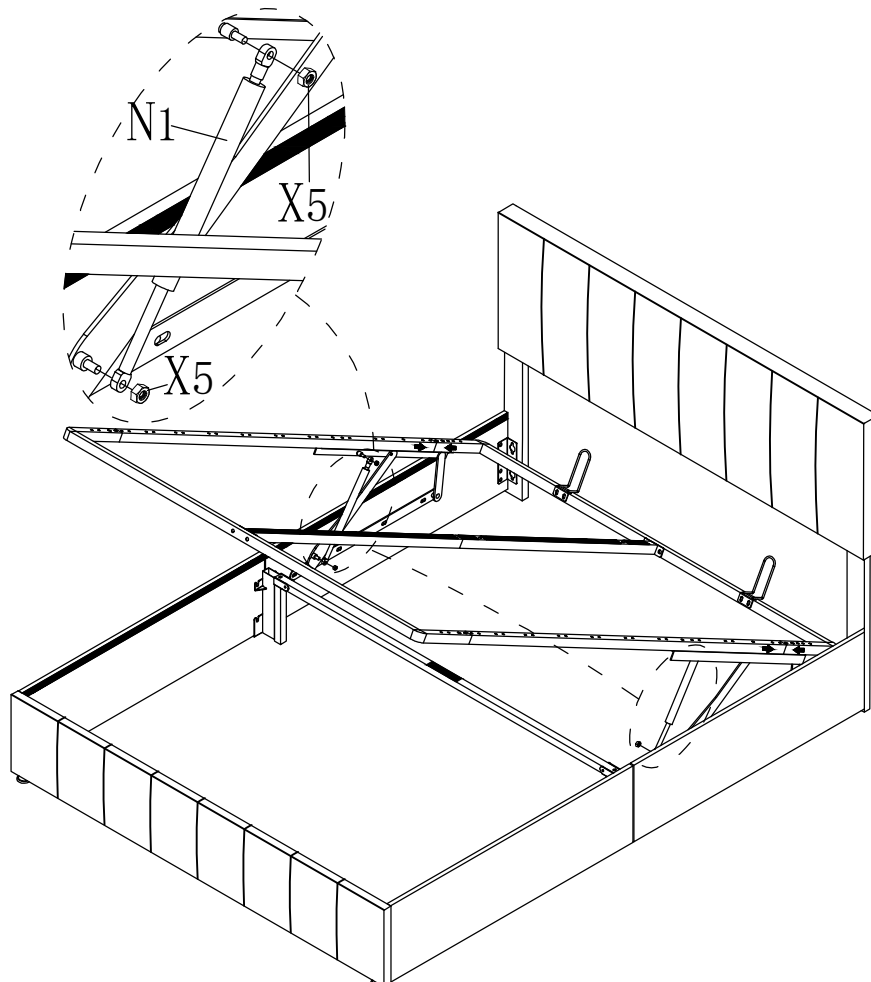
X5



6(pcs)

STEP 14:

Étape 14:



X5

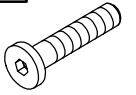


4(pcs)

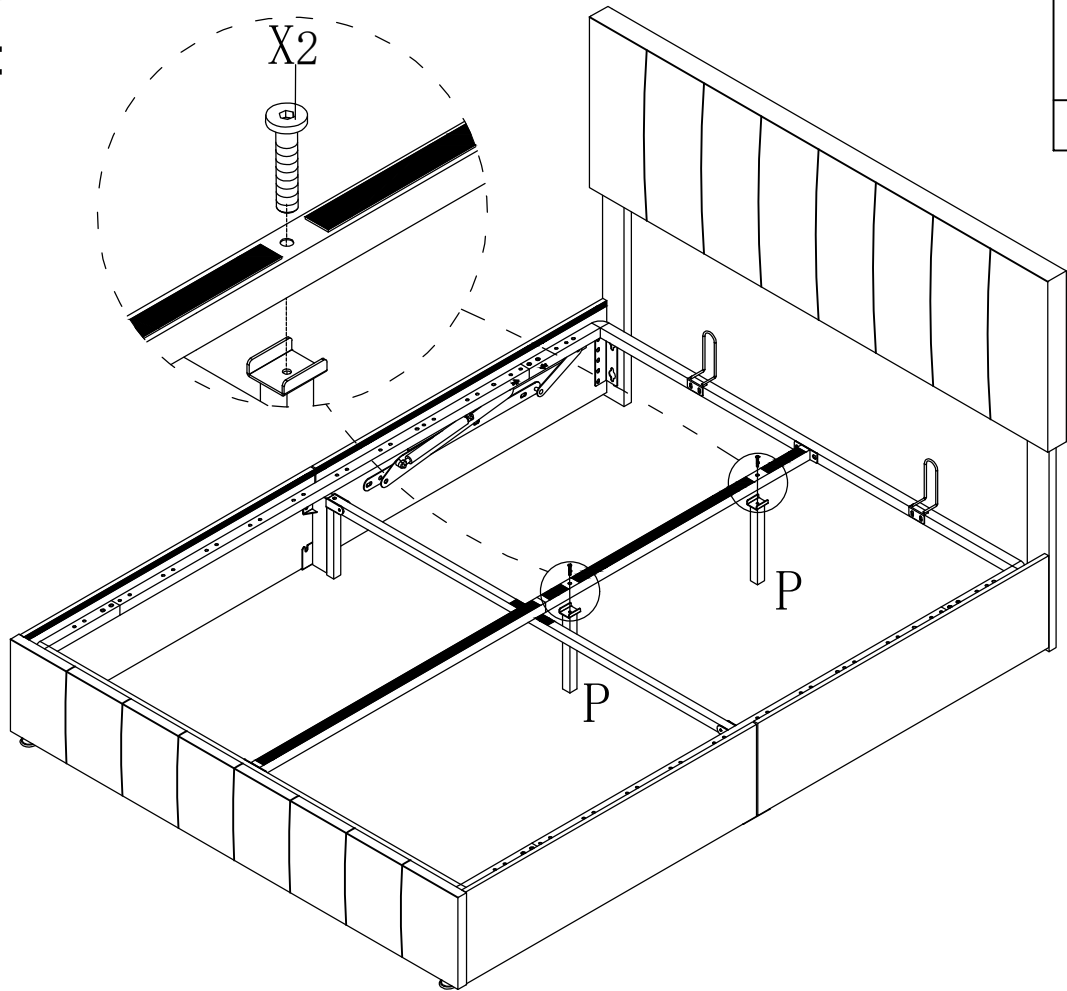
STEP 15:

Étape 15:

X2



2(pcs)



STEP 16:

Étape 16:

