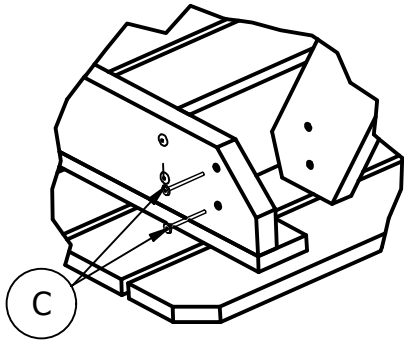


National Picnic Table

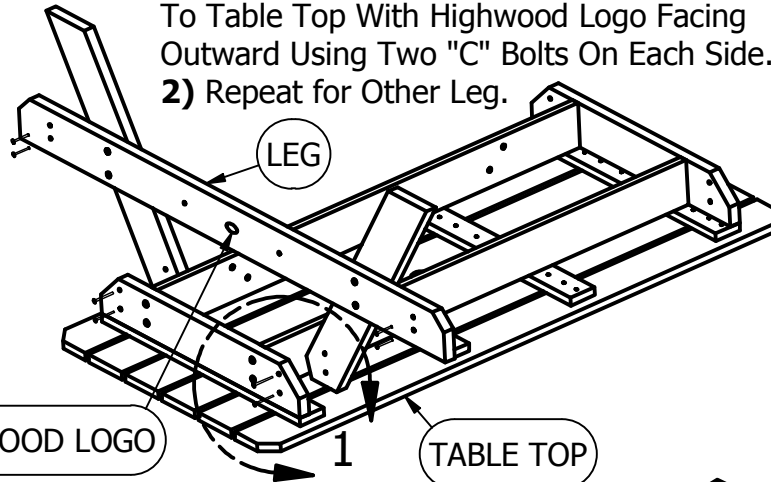
Assembly Guide

- 1) Orient Table With Top Down. Attach Leg To Table Top With Highwood Logo Facing Outward Using Two "C" Bolts On Each Side.
- 2) Repeat for Other Leg.

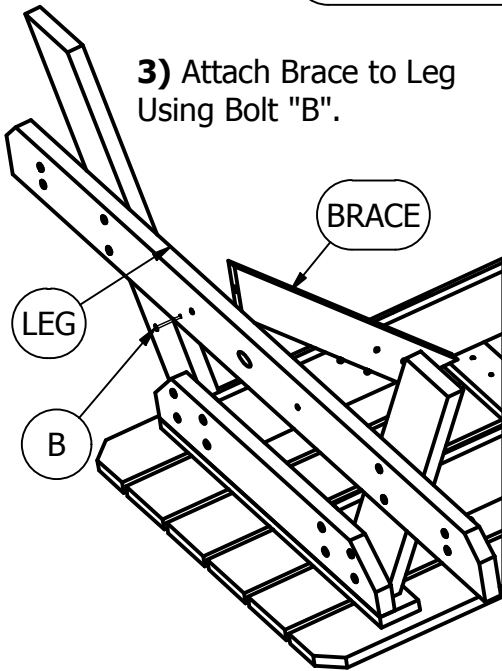


DETAIL 1

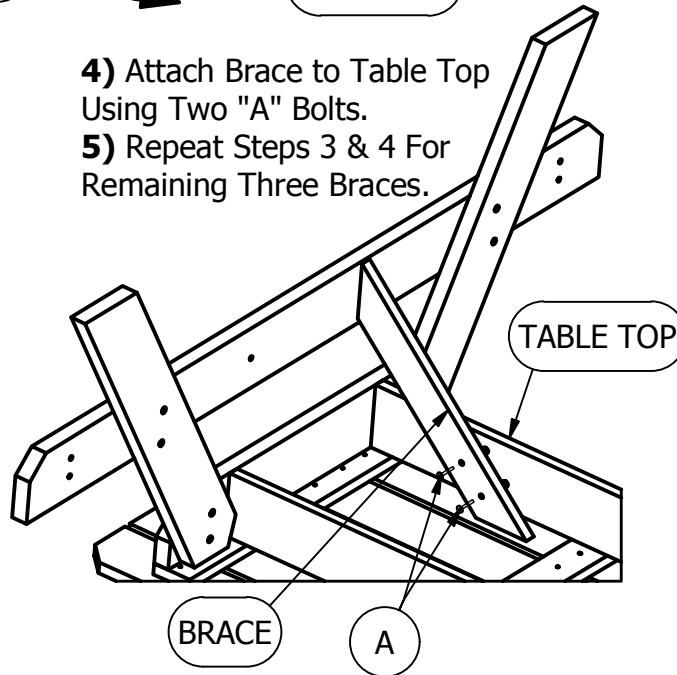
HIGHWOOD LOGO



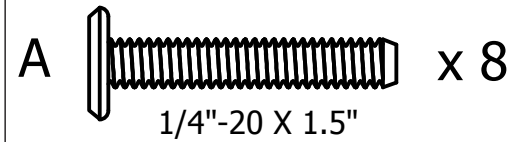
- 3) Attach Brace to Leg Using Bolt "B".



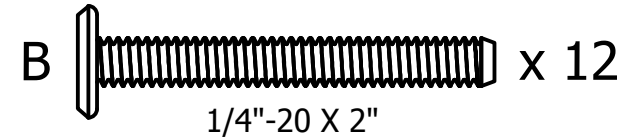
- 4) Attach Brace to Table Top Using Two "A" Bolts.
- 5) Repeat Steps 3 & 4 For Remaining Three Braces.



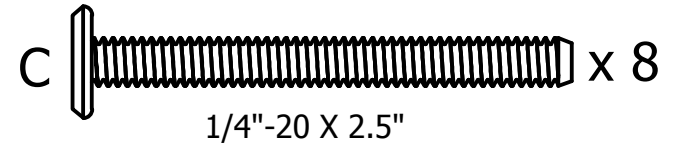
HARDWARE



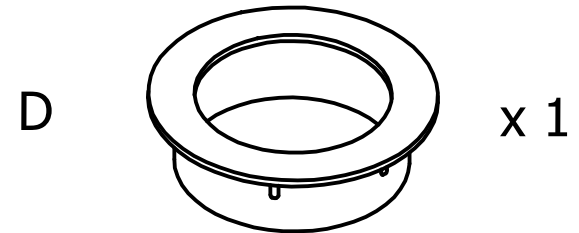
1/4"-20 X 1.5"



1/4"-20 X 2"



1/4"-20 X 2.5"



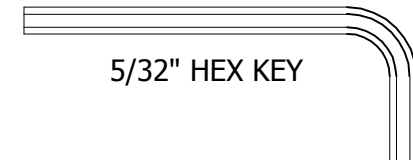
2" UMBRELLA GROMMET

IMPORTANT!

DO NOT fully tighten the bolts until all bolts are started. Once all bolts are inserted, go back & tighten all the bolts.

Retain these instructions for future reference

INCLUDED TOOLS

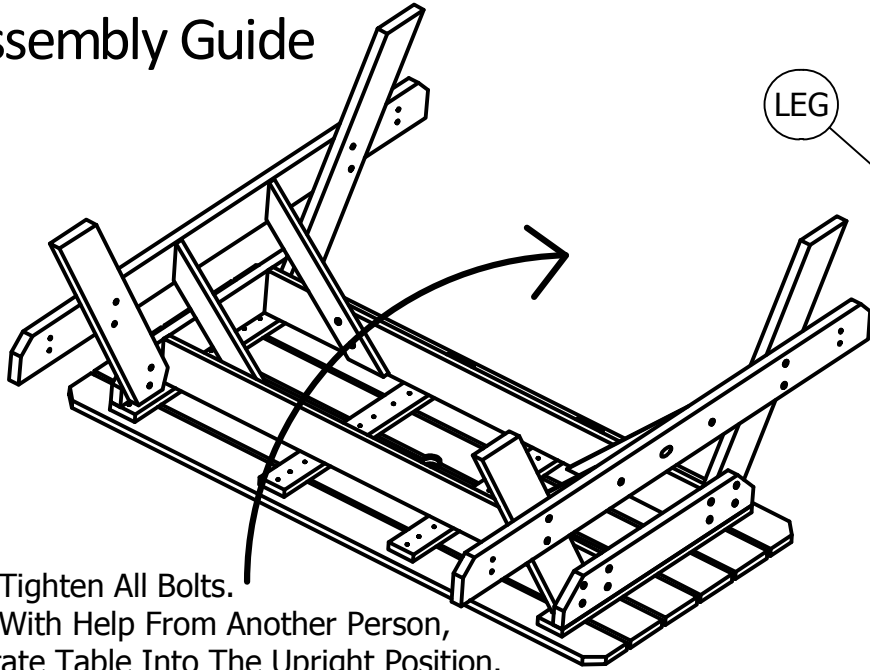


5/32" HEX KEY

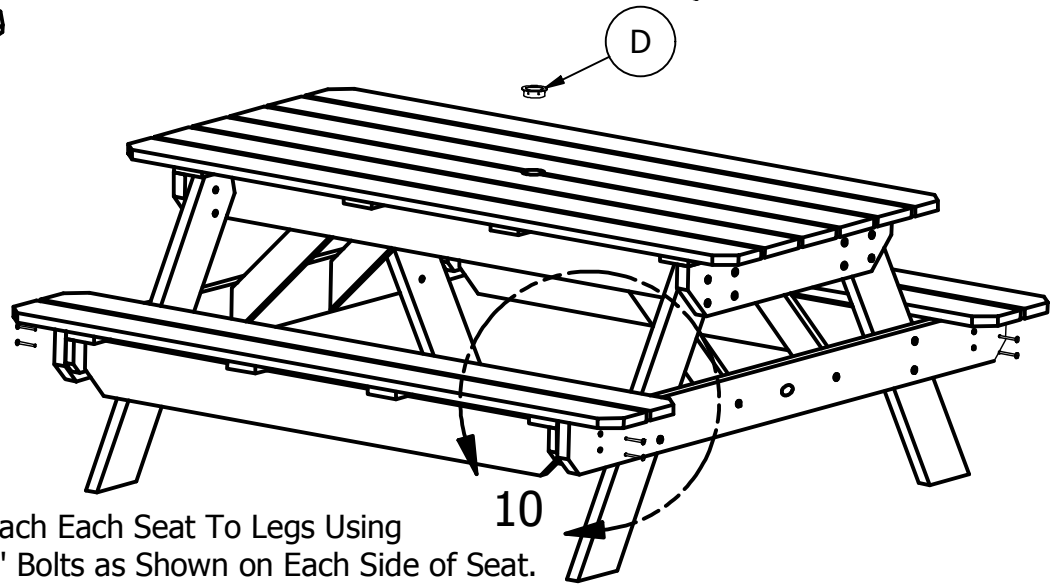
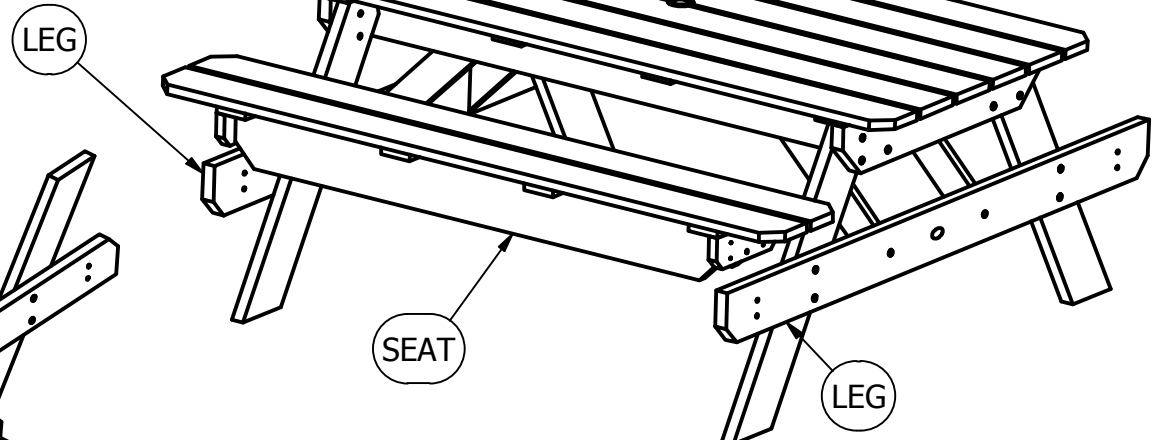
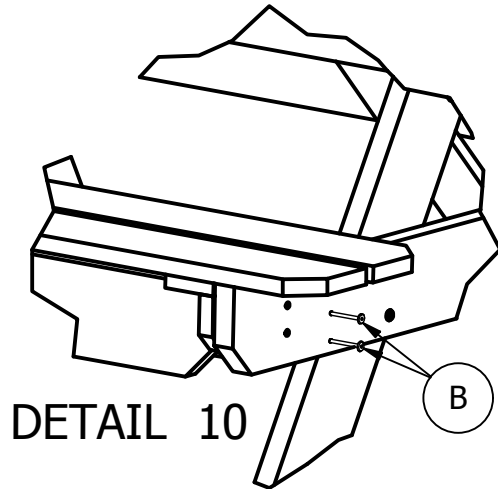
National Picnic Table

Assembly Guide

- 8)** With Table In Upright Position as Shown, Set Seat In Between Legs.
9) Repeat On Other Side.



- 6)** Tighten All Bolts.
7) With Help From Another Person, Rotate Table Into The Upright Position.



- 10)** Attach Each Seat To Legs Using Two "B" Bolts as Shown on Each Side of Seat.
11) Insert Umbrella Grommet "D" into Center Hole.