

SKU: HK-BF-030-CLD-F&Q-1

# User Manual

Z7-20250926

# Before Assembly

Please read the **USER MANUAL** thoroughly for quick assembly, and check accessories list.



## Team Installation:

For larger product, we recommend that you install the product together with other people.



## Laying Protection:

To protect the product and your flooring during installation, please lay protection before installation.



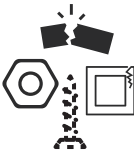
## No Electric Drill:

For longer use, please use the installation tools supplied with the product.



## Installation question:

You can find installation video instructions on YouTube by searching our brand.



## Missing Parts or Broken:

Please feel free to contact us via Amazon Orders or Customer Support Email. We promise to ship the missing or replacement parts to you free of charge.



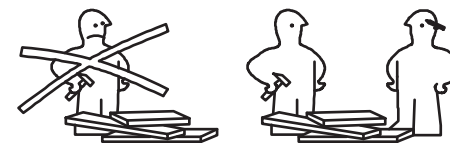
**Any questions?**

**Please do not hesitate to contact us!**

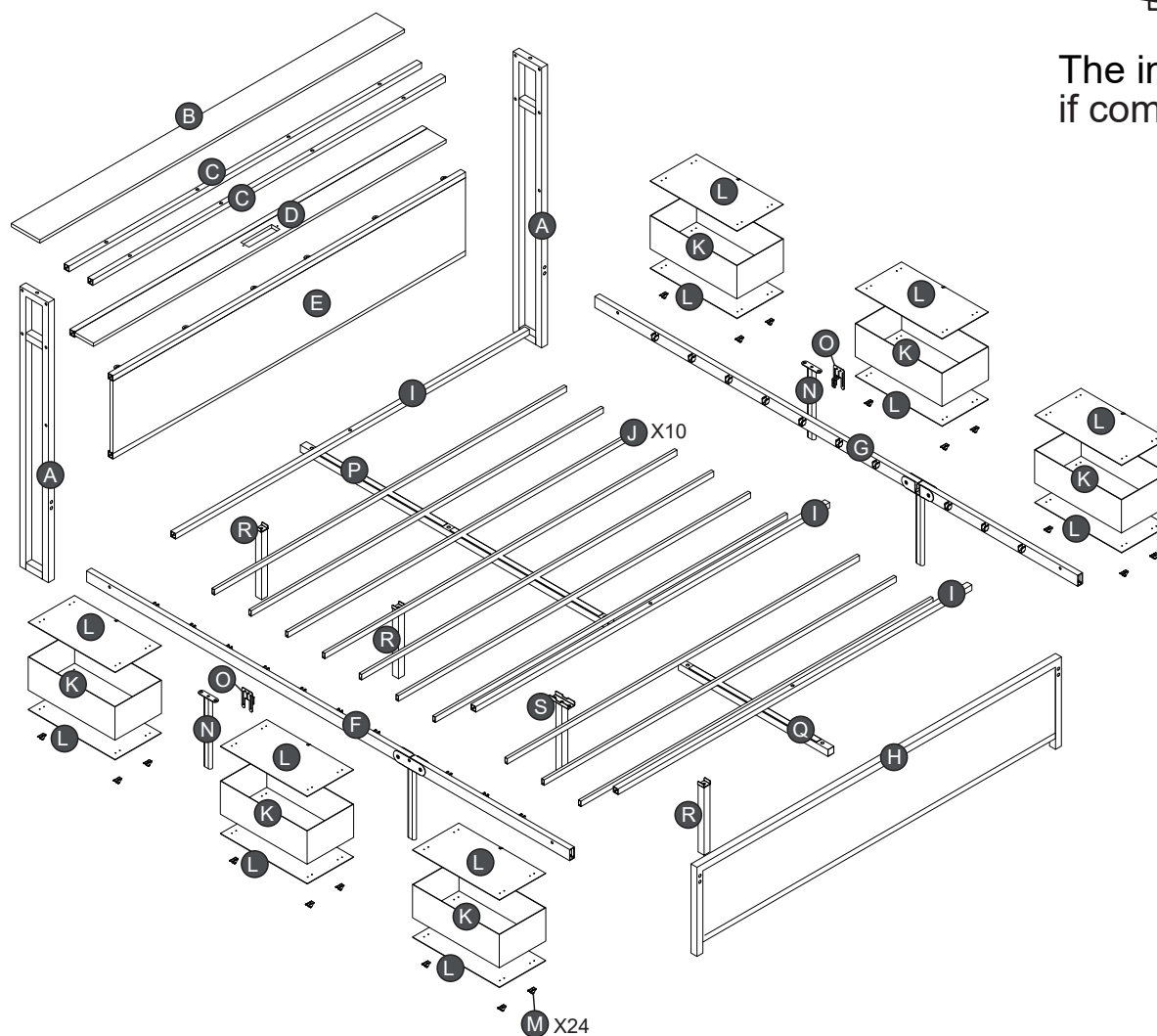


**bedyhome@hotmail.com**

# Disassembly Diagram



The installation would be easier -  
if completed by two people



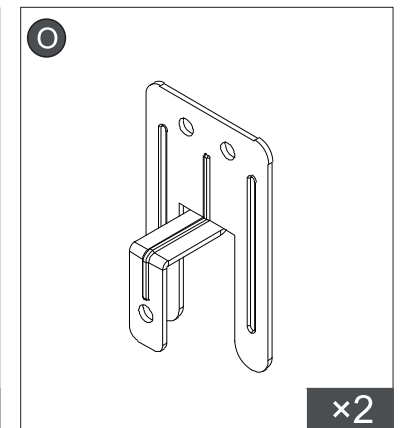
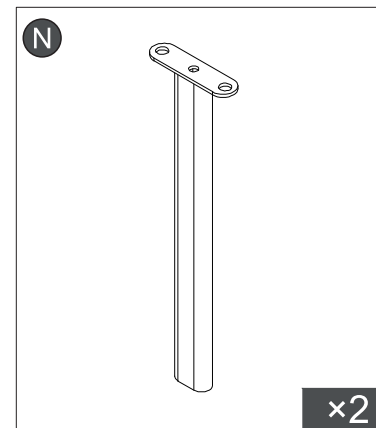
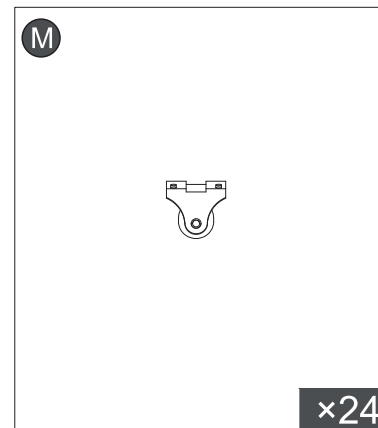
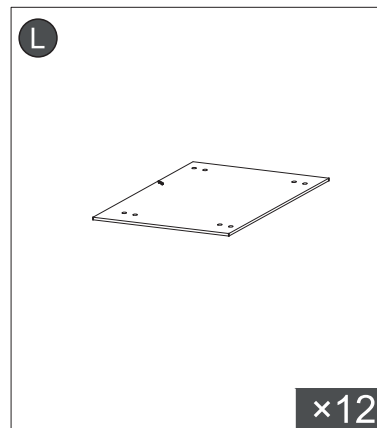
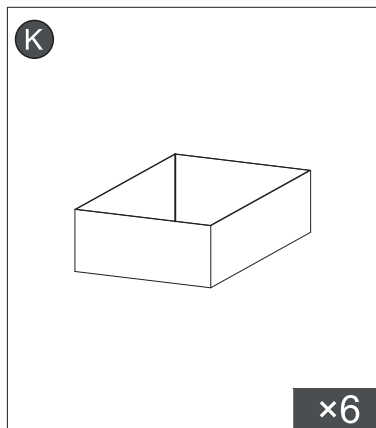
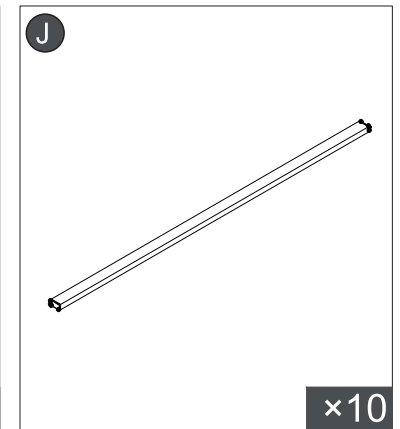
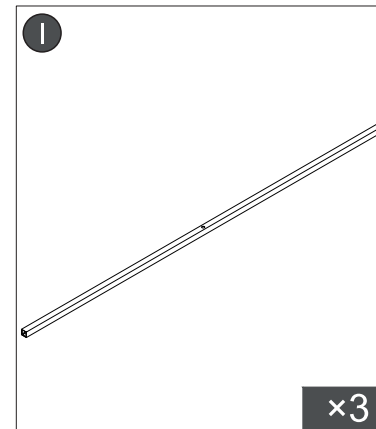
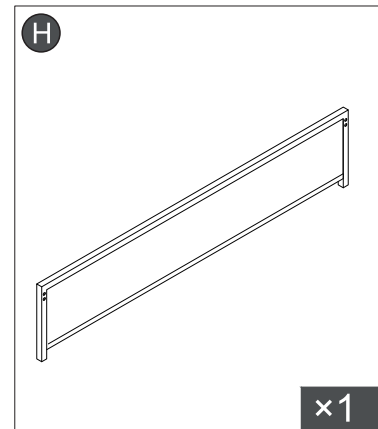
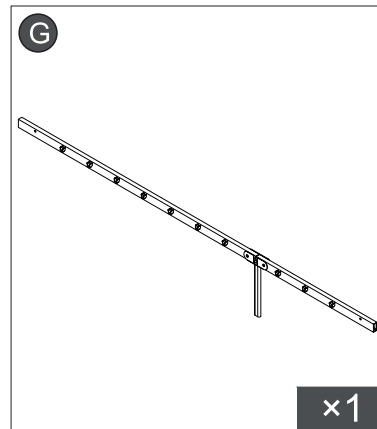
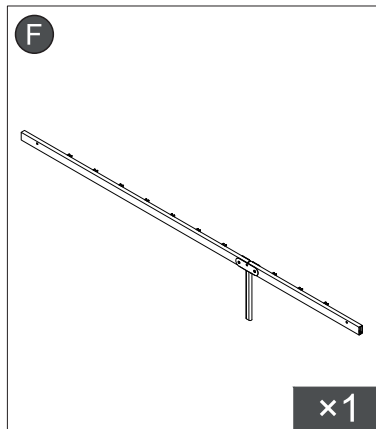
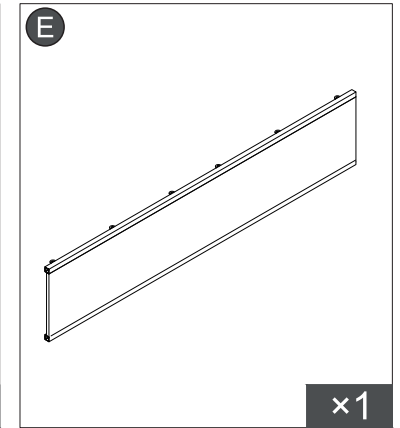
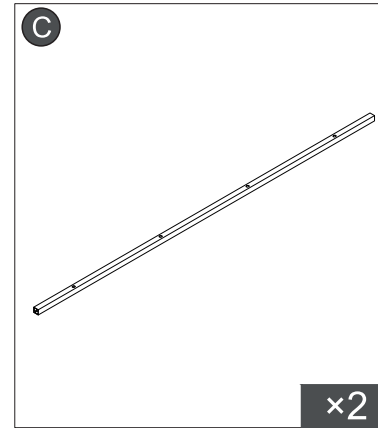
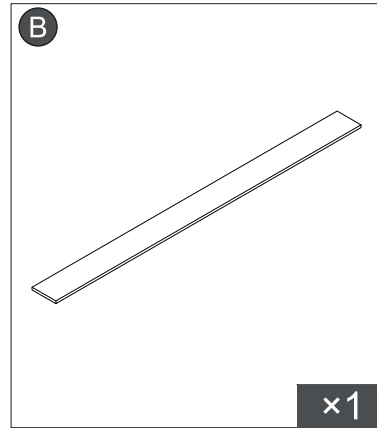
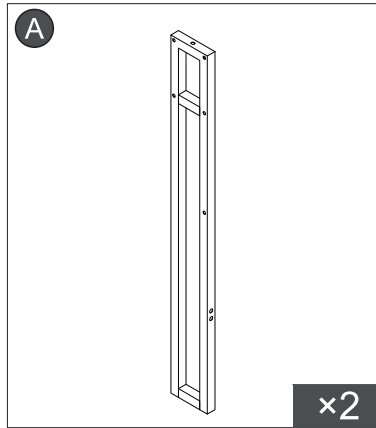
Before assembly, please read the USER MANUAL thoroughly for quick assembly,  
and check according to Accessories

If you have any concerns or question during installation or about product itself,  
please feel free to contact us via Amazon Orders or Customer Support Email:

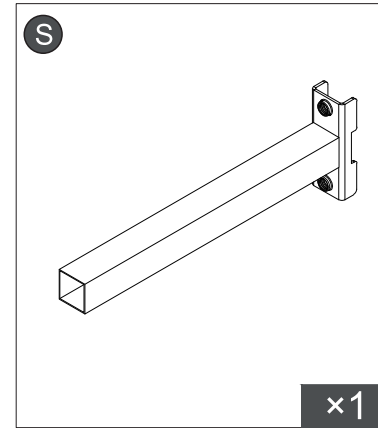
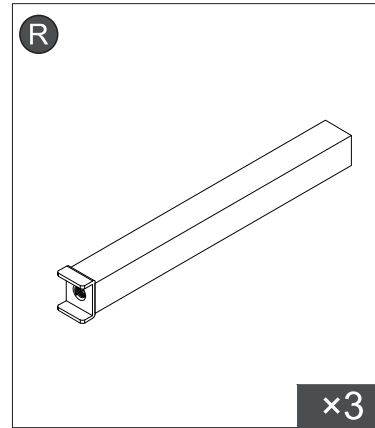
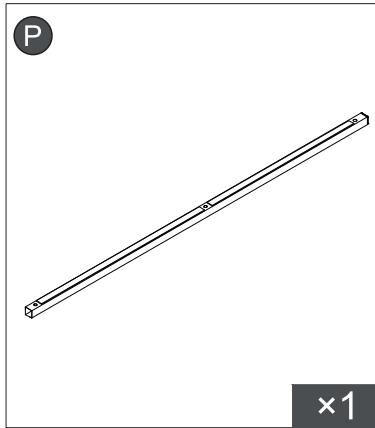
 [bedyhome@hotmail.com](mailto:bedyhome@hotmail.com)



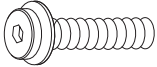
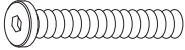
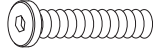
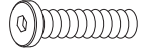
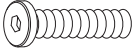



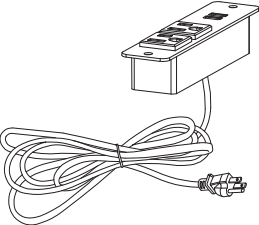
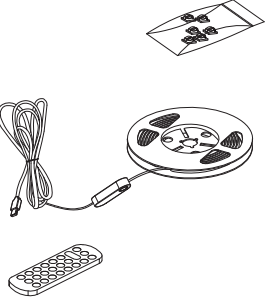
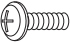



# Accessories



# Accessories

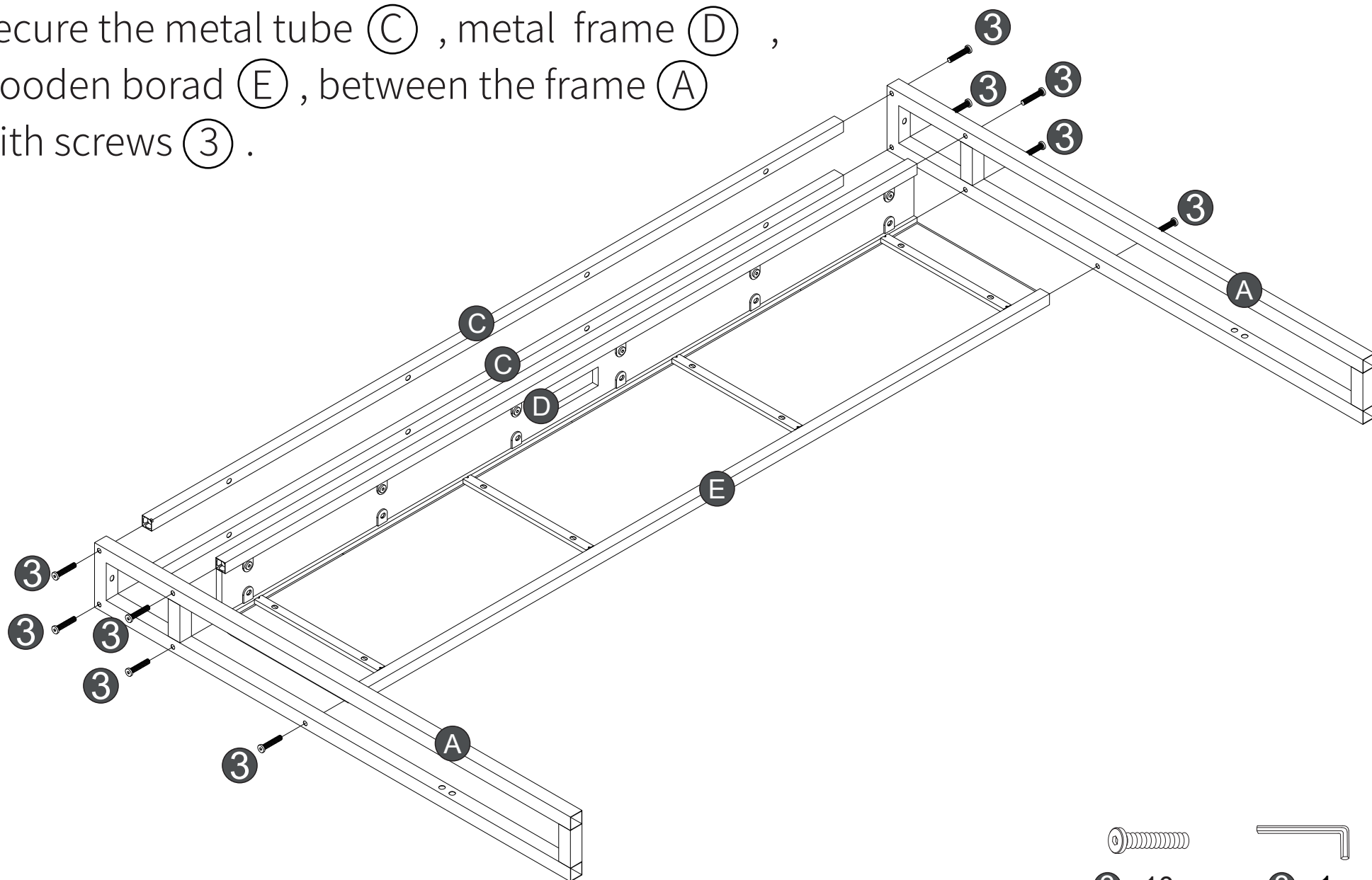


# Accessories

<p>1</p>  <p>M8x40mm ×11</p>	<p>2</p>  <p>M8x60mm ×3</p>	<p>3</p>  <p>M6x50mm ×16</p>	<p>4</p>  <p>M6x33mm ×2</p>	<p>5</p>  <p>M6x28mm ×8</p>
<p>6</p>  <p>M8x15mm ×4</p>	<p>7</p>  <p>M6x10mm ×6</p>	<p>8</p>  <p>M4 ×1</p>	<p>9</p>  <p>×1</p>	<p>10</p>  <p>×1</p>
<p>11</p>  <p>M4x16mm ×48</p>	<p>12</p>  <p>×1</p>	<p>13</p>  <p>M5 ×1</p>	<p>14</p>  <p>Ø3.5x12mm ×2</p>	

 **step 1**

Secure the metal tube (C) , metal frame (D) ,  
wooden board (E) , between the frame (A)  
with screws (3) .



1



3 × 10 pcs

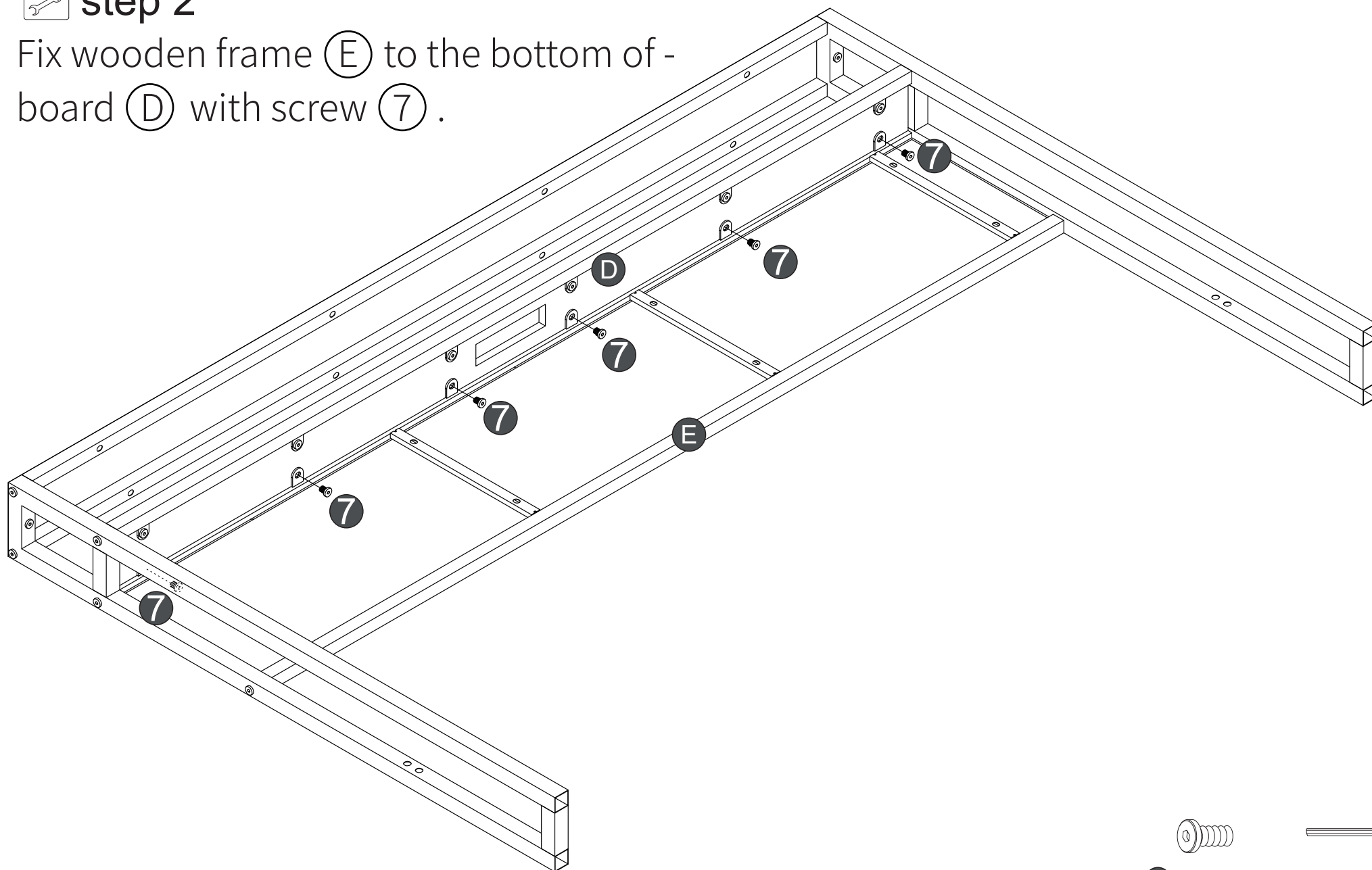


8 × 1 pc



## step 2

Fix wooden frame (E) to the bottom of -  
board (D) with screw (7).



2



7 x 6pcs

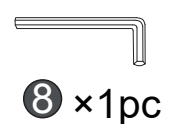
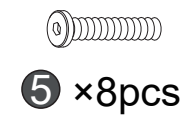
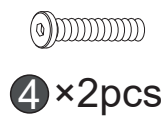
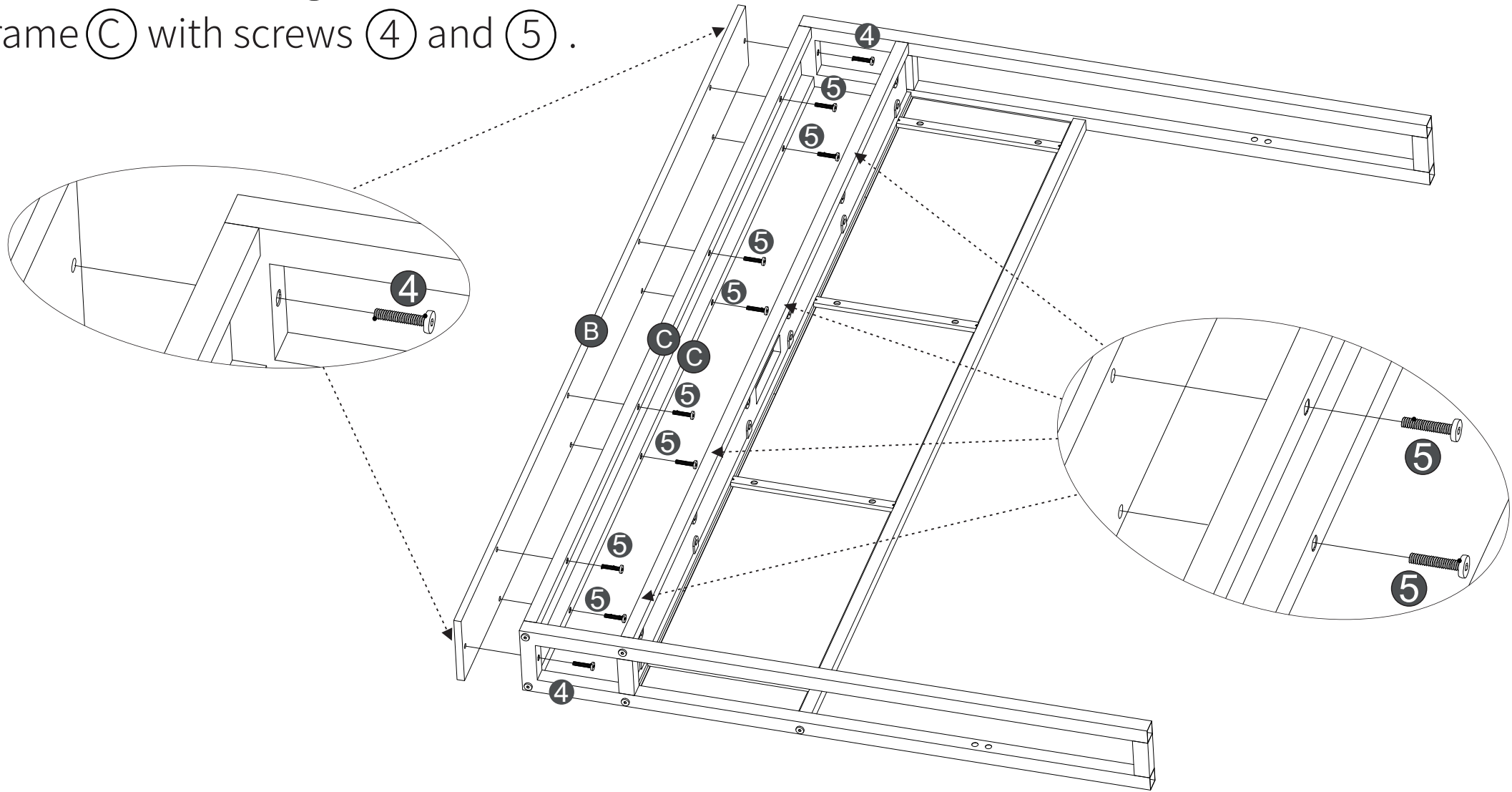


8 x 1pc

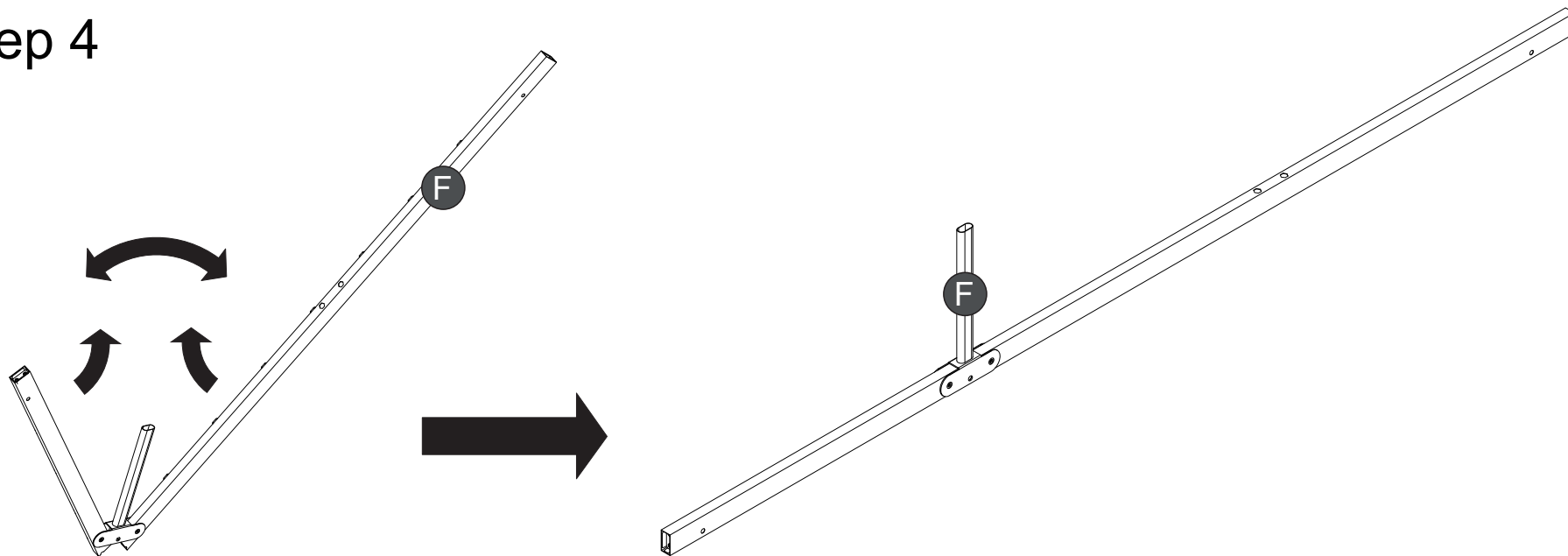


### step 3

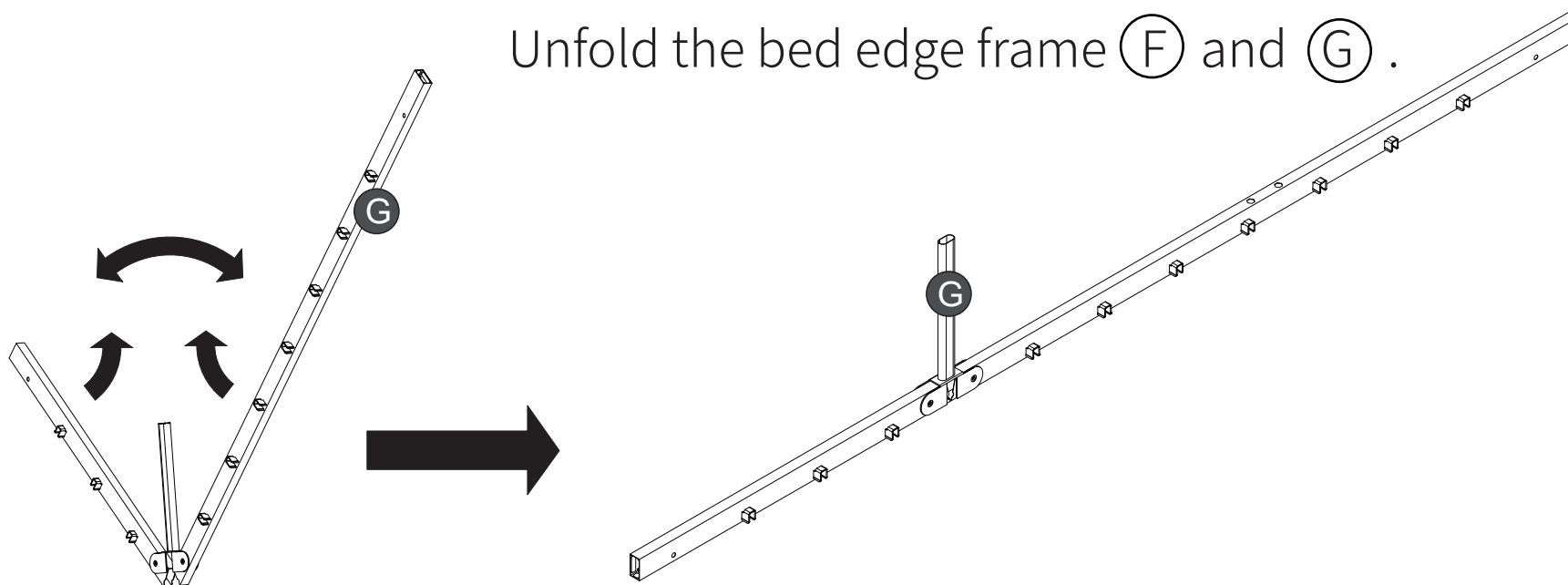
Fix wooden plate (B) to the top of metal - frame (C) with screws (4) and (5).



 step 4



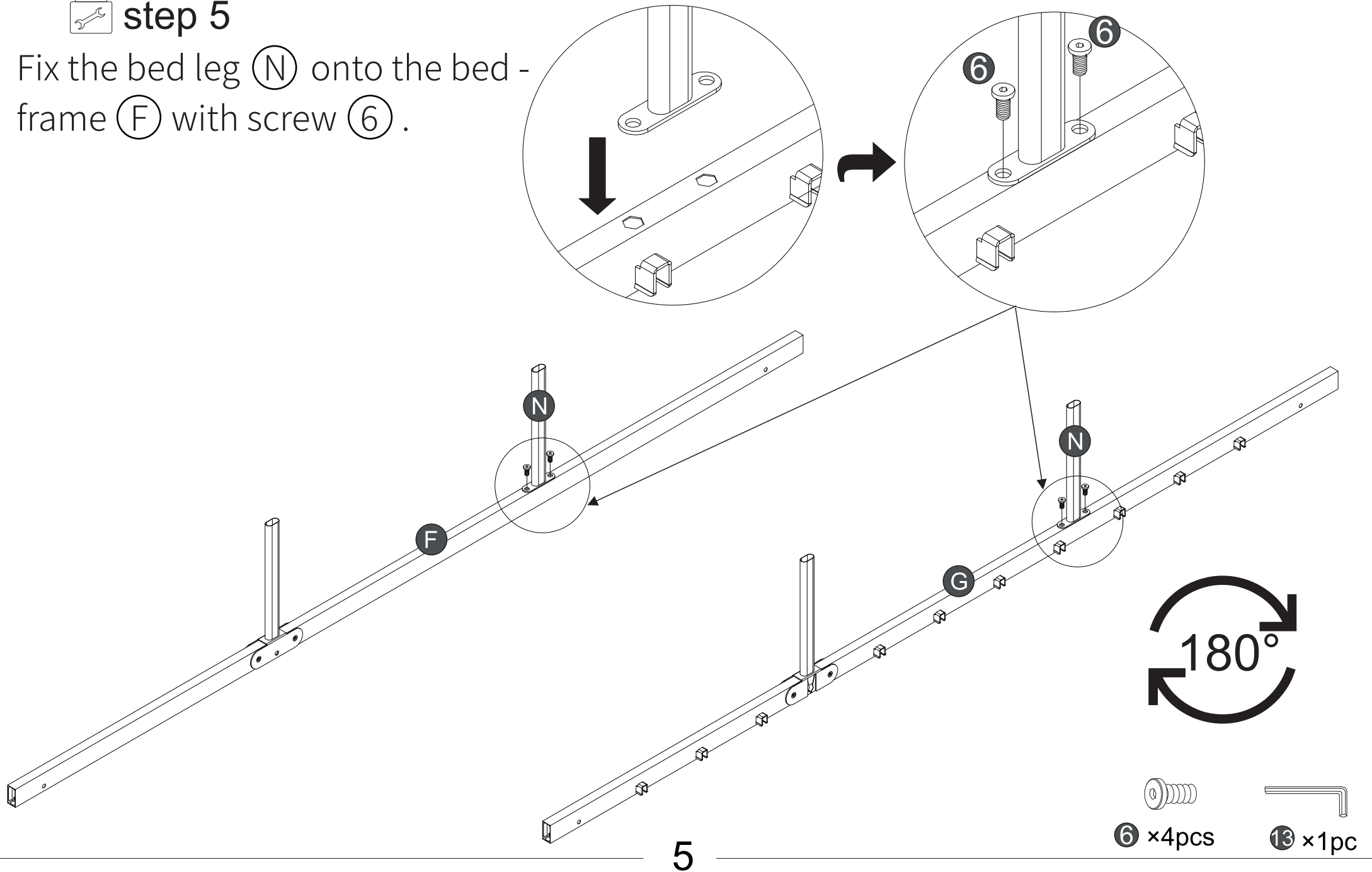
Unfold the bed edge frame (F) and (G) .





## step 5

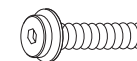
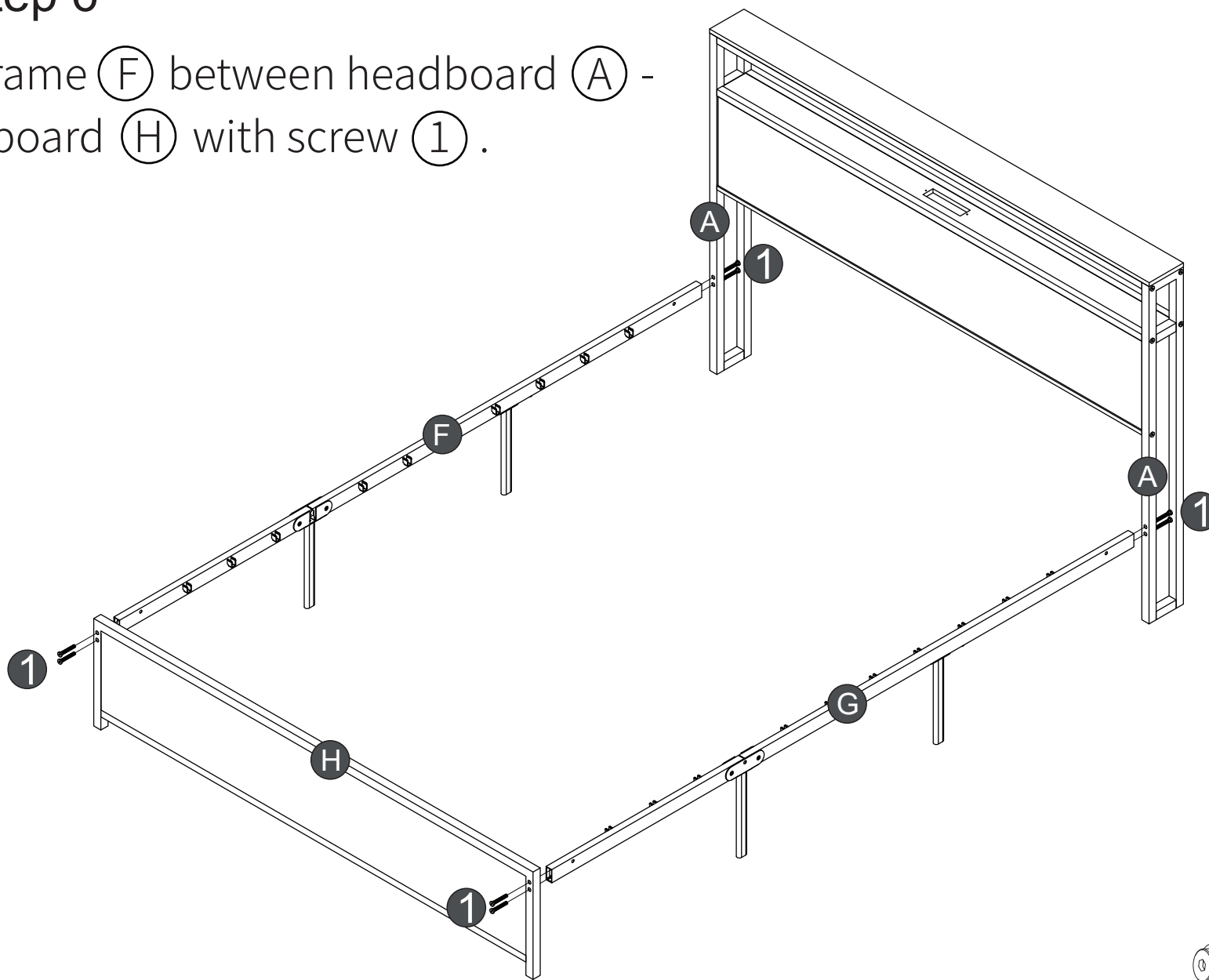
Fix the bed leg (N) onto the bed - frame (F) with screw (6).





## step 6

Fix bed frame (F) between headboard (A) - and footboard (H) with screw (1).



1 × 8 pcs

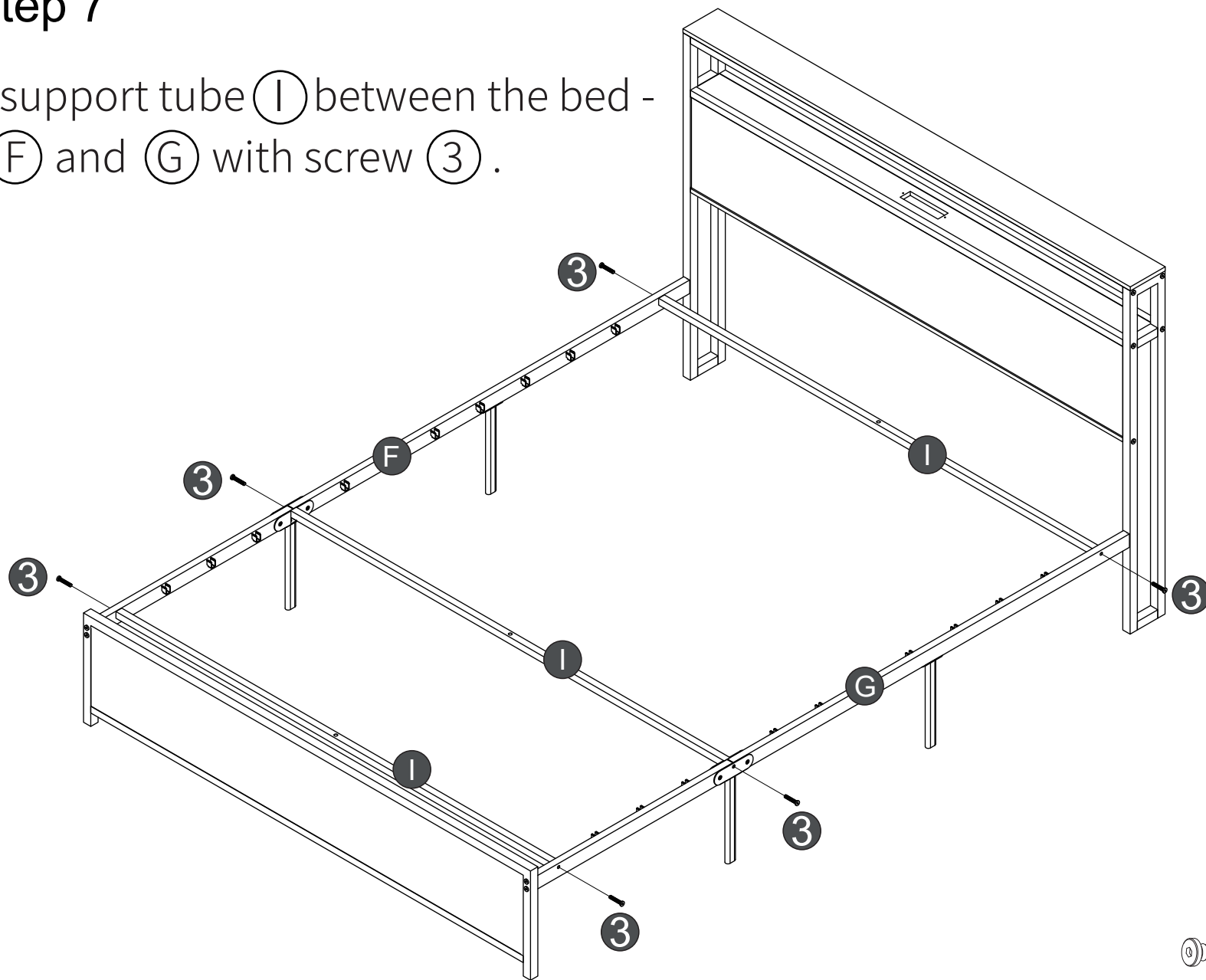


13 × 1 pc



## step 7

Fix the support tube (I) between the bed - frame (F) and (G) with screw (3) .



7



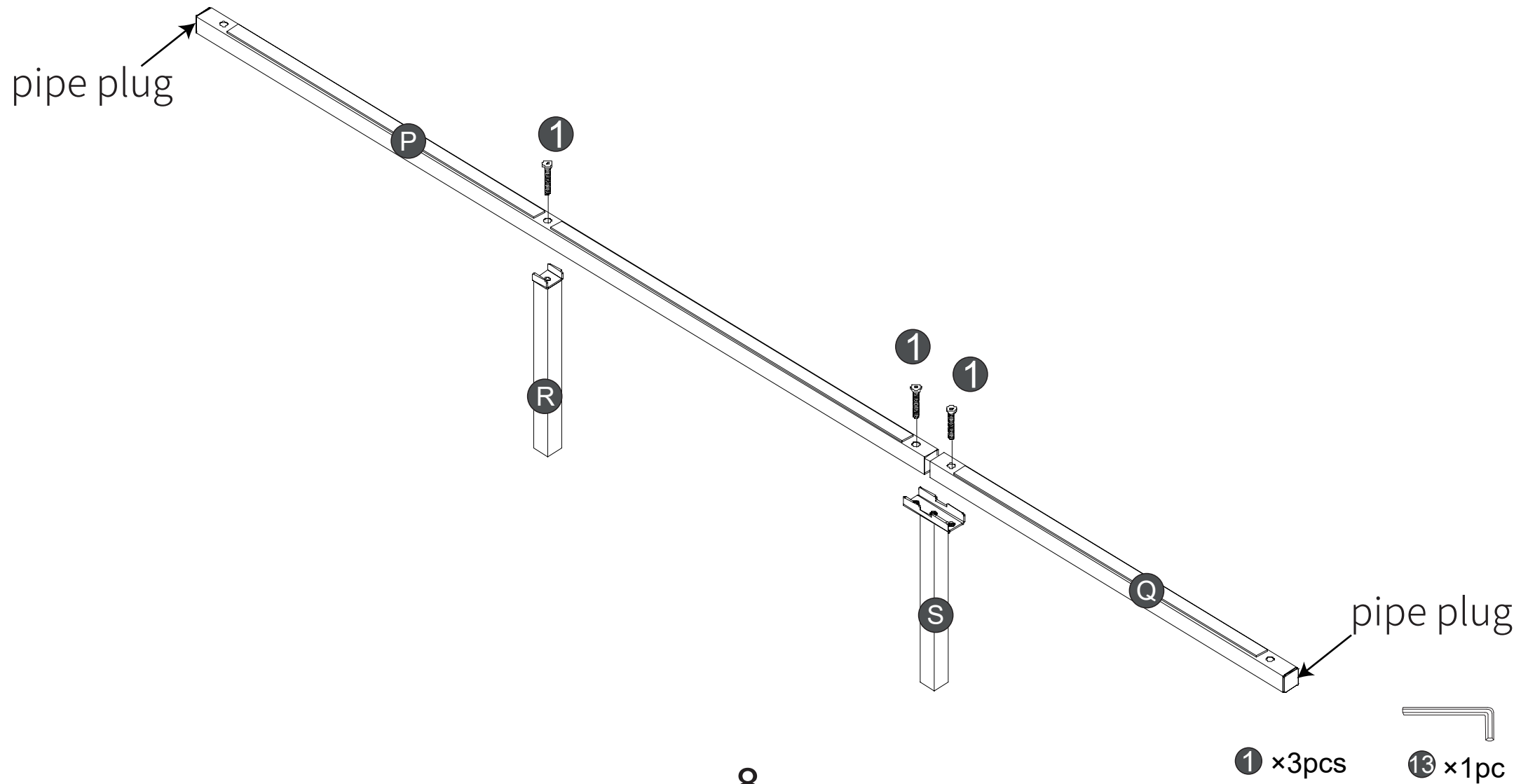
3 x6pcs



8 x1pc

 **step 8**

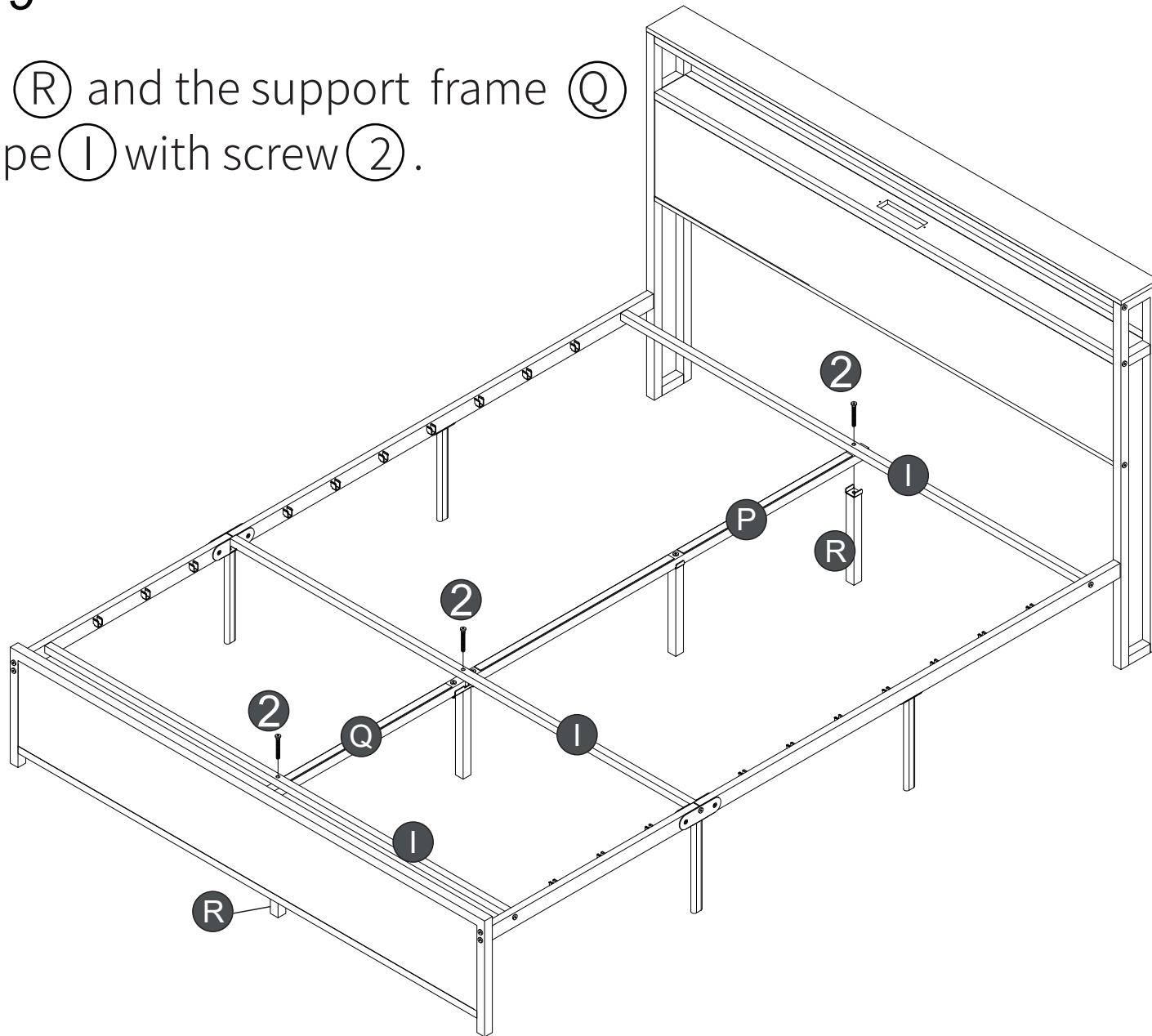
Use screw ① to fix bed legs ② and ③ onto metal tube ④ and ⑤ .



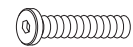


## step 9

Fix the bed leg (R) and the support frame (Q) to the metal pipe (I) with screw (2).



9



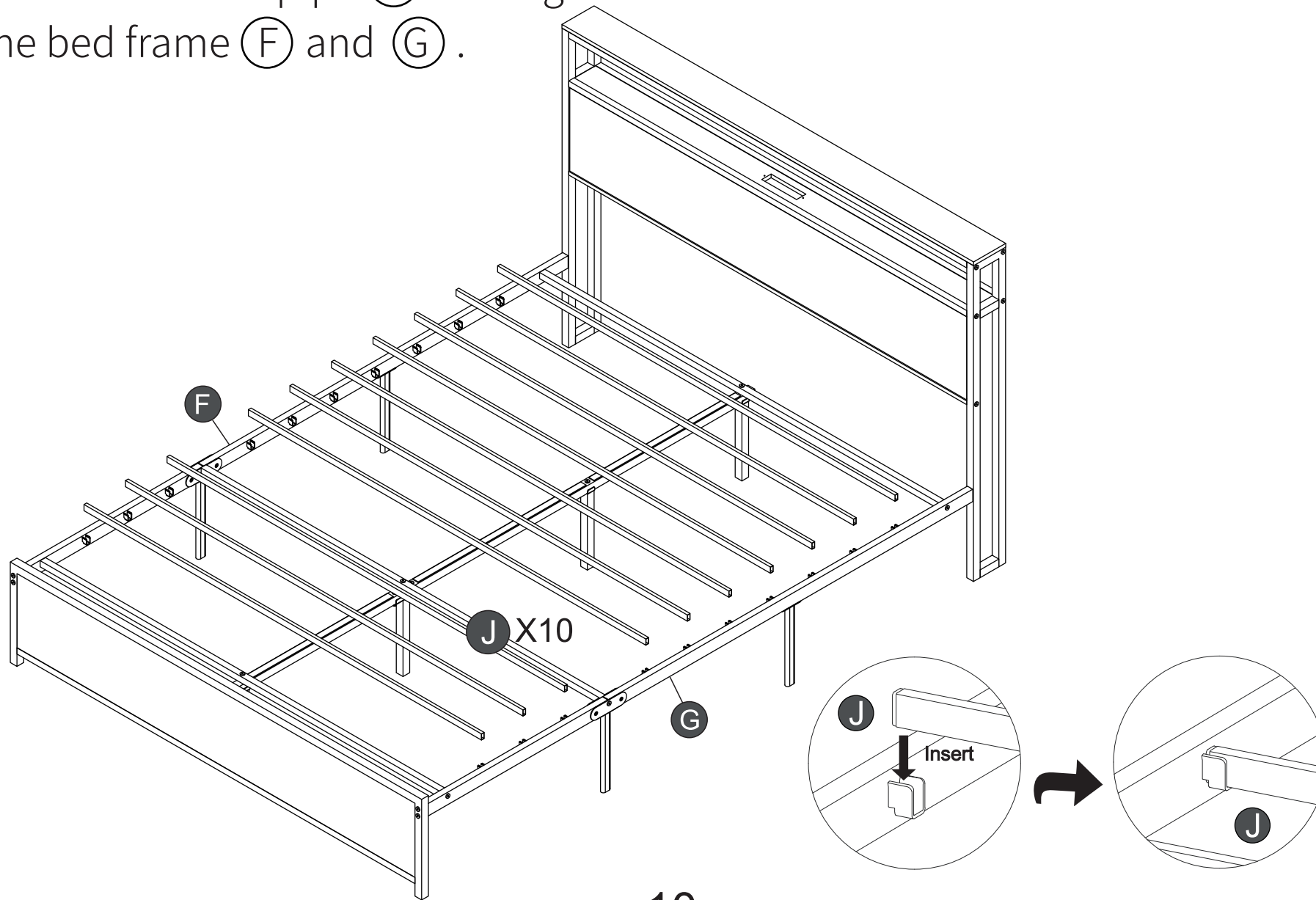
2 x 3pcs



13 x 1pcs

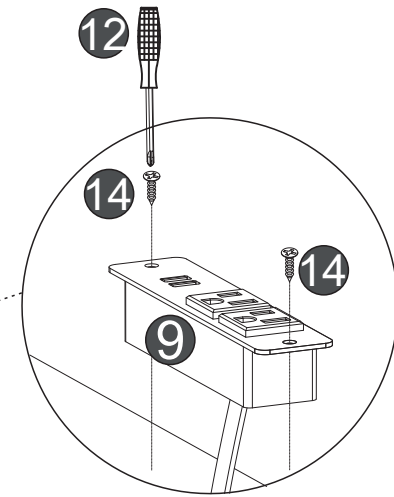
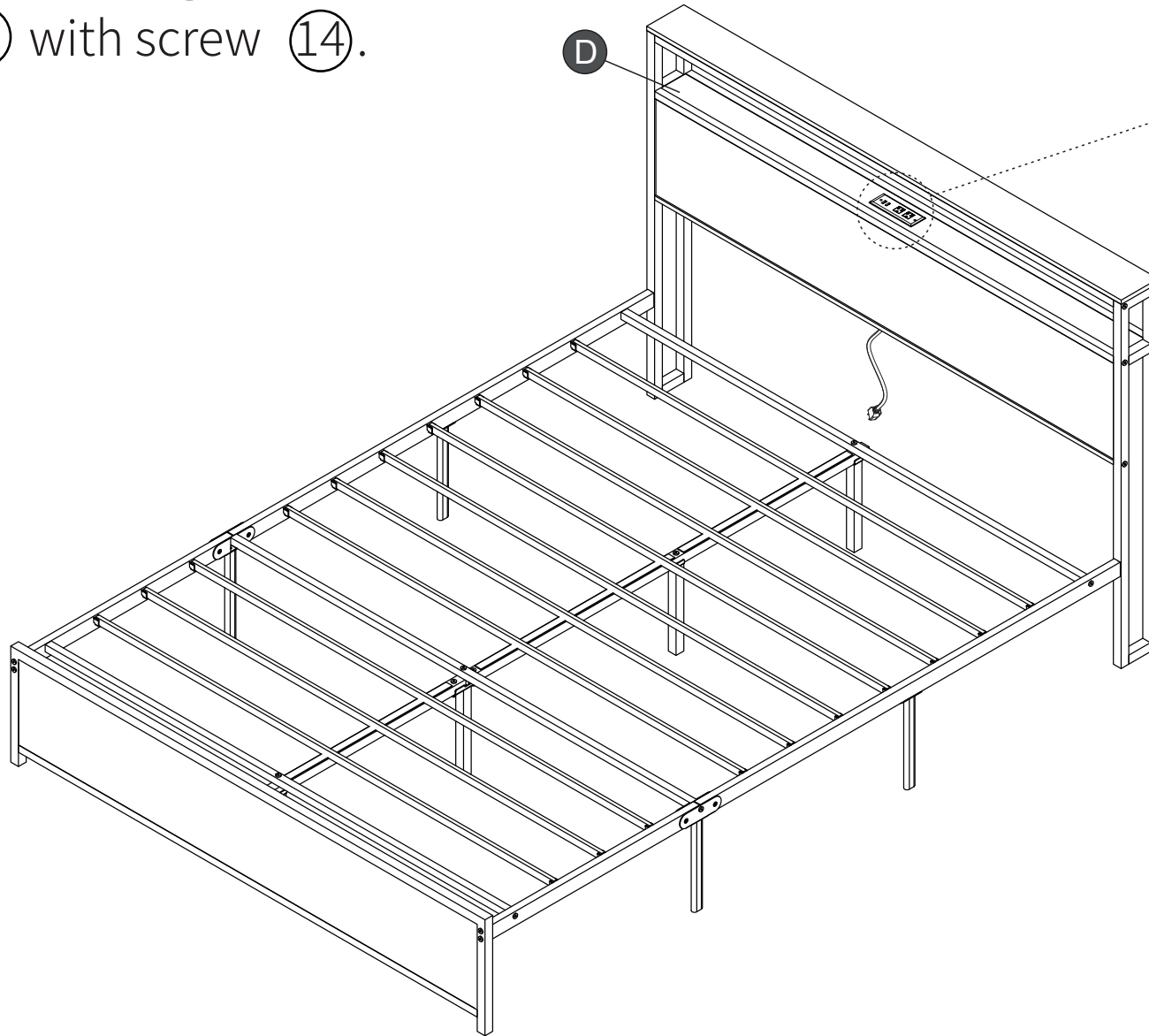
 **step 10**




Install the metal pipe (J) in the groove inside -  
the bed frame (F) and (G).



 **step 11**

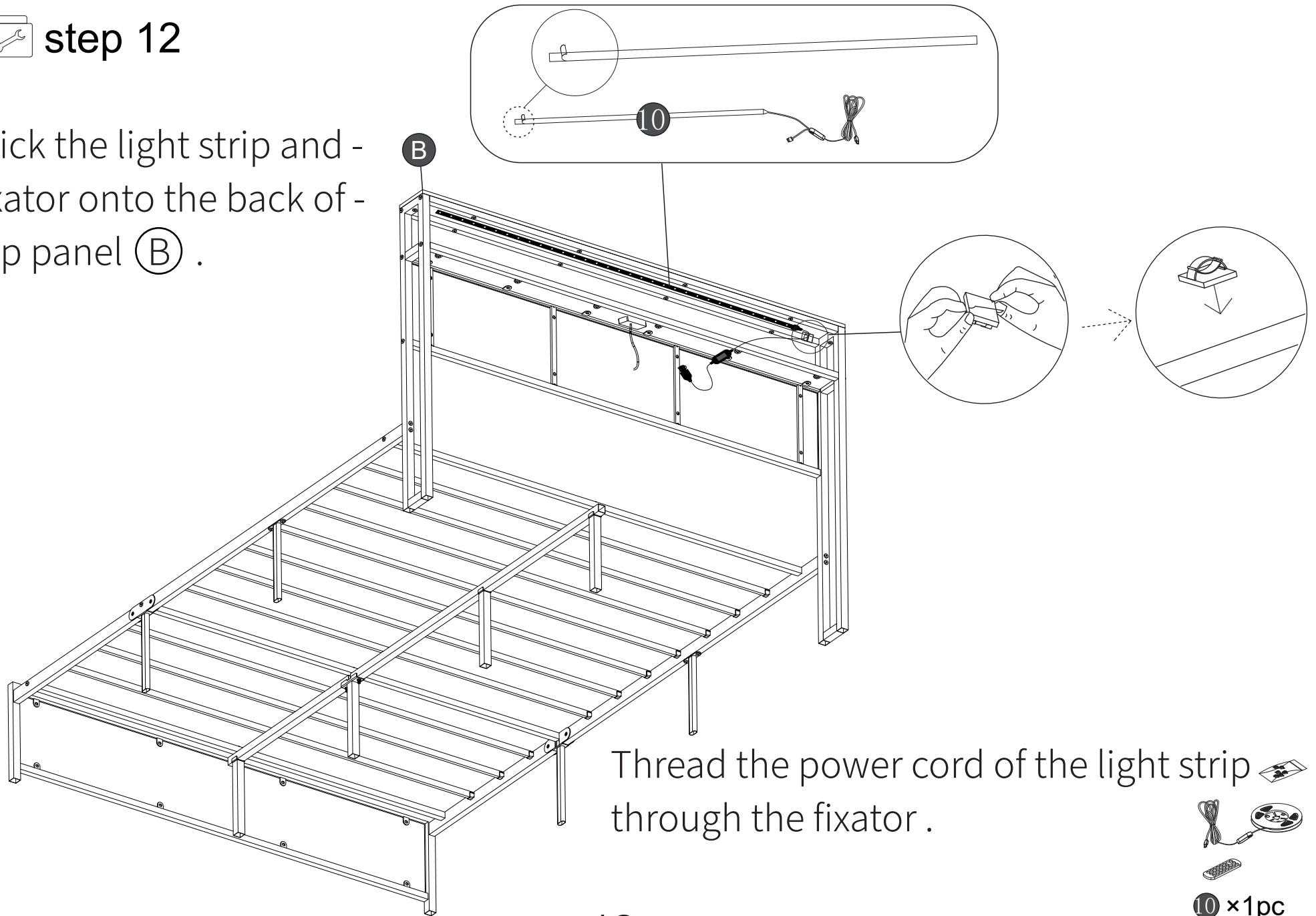
Fix socket ⑨ in the middle of bed head -  
①D with screw ⑭.



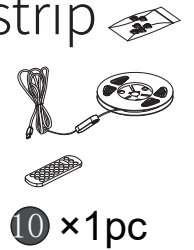
-  ⑭ × 2 pcs
-  ⑨ × 1 pc
-  ⑫ × 1 pc

 **step 12**

Stick the light strip and -  
fixator onto the back of -  
top panel (B) .

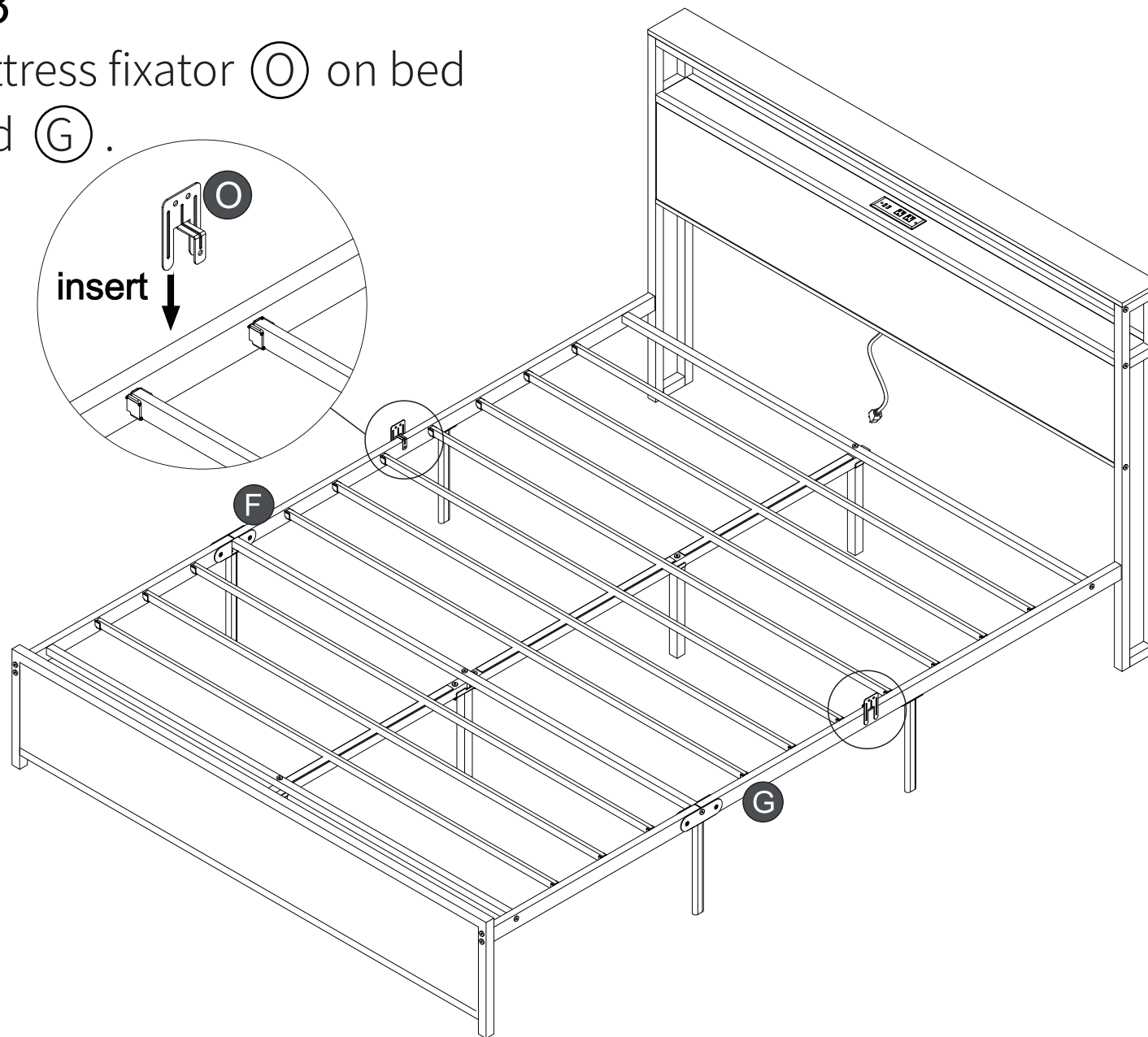


Thread the power cord of the light strip  
through the fixator .



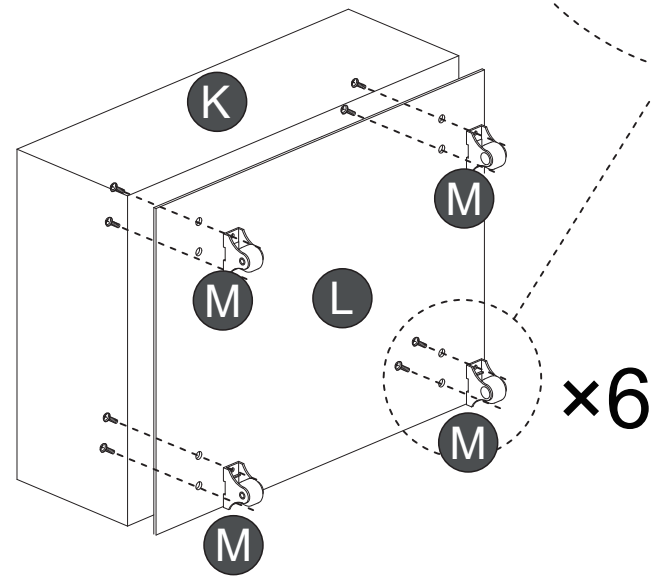
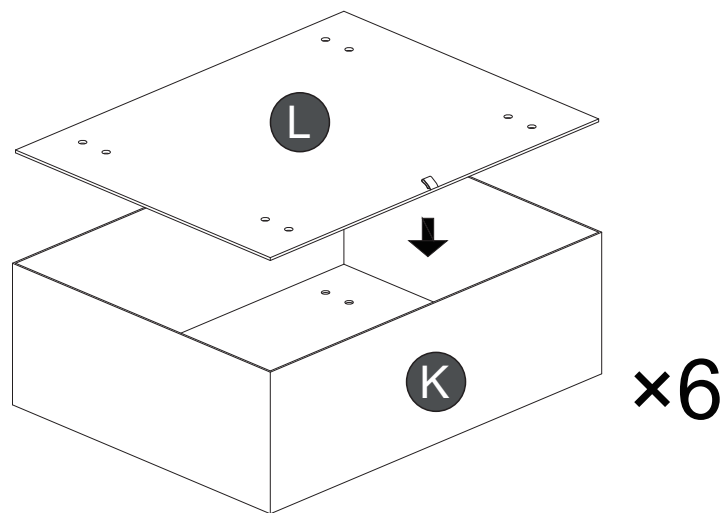
 **step 13**

Install the mattress fixator (O) on bed frames (F) and (G).



 **step 14**

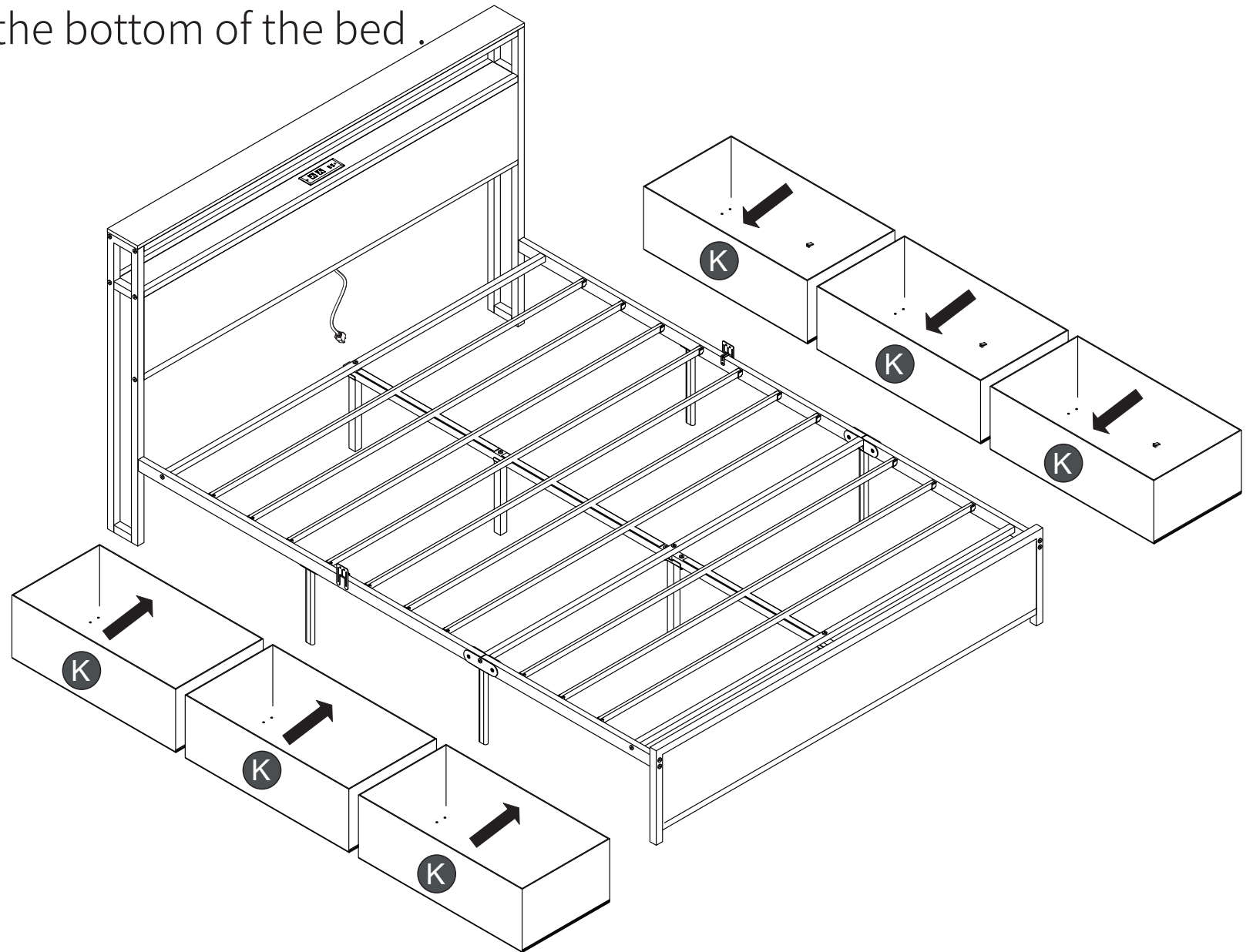
Use screw ①① to pass through the ①① base plate ①① and box ①① and fix them together.



-  ①① x48pcs
-  ①② x1pc

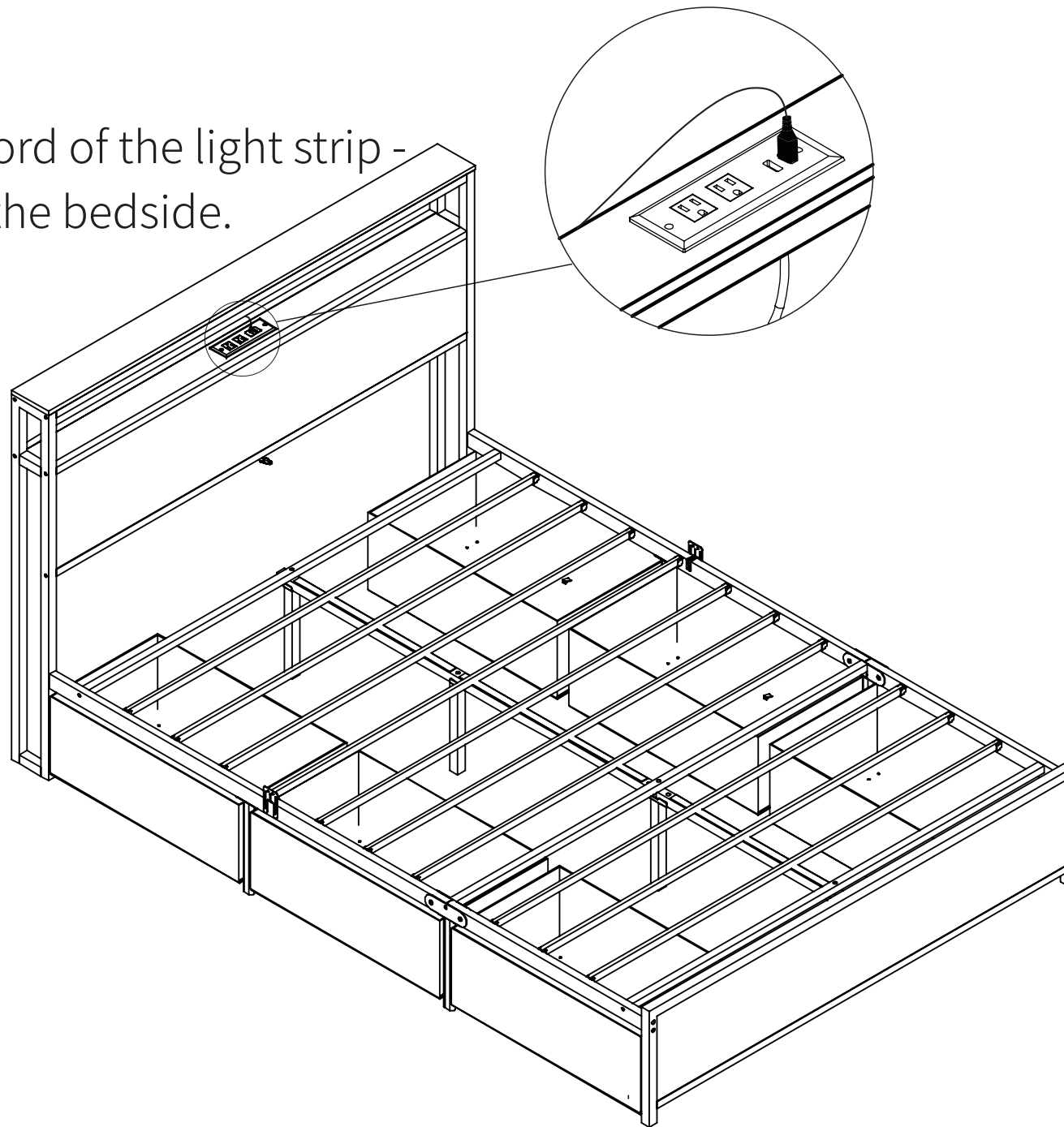
 **step 15**

Push drawer (K) into the bottom of the bed.

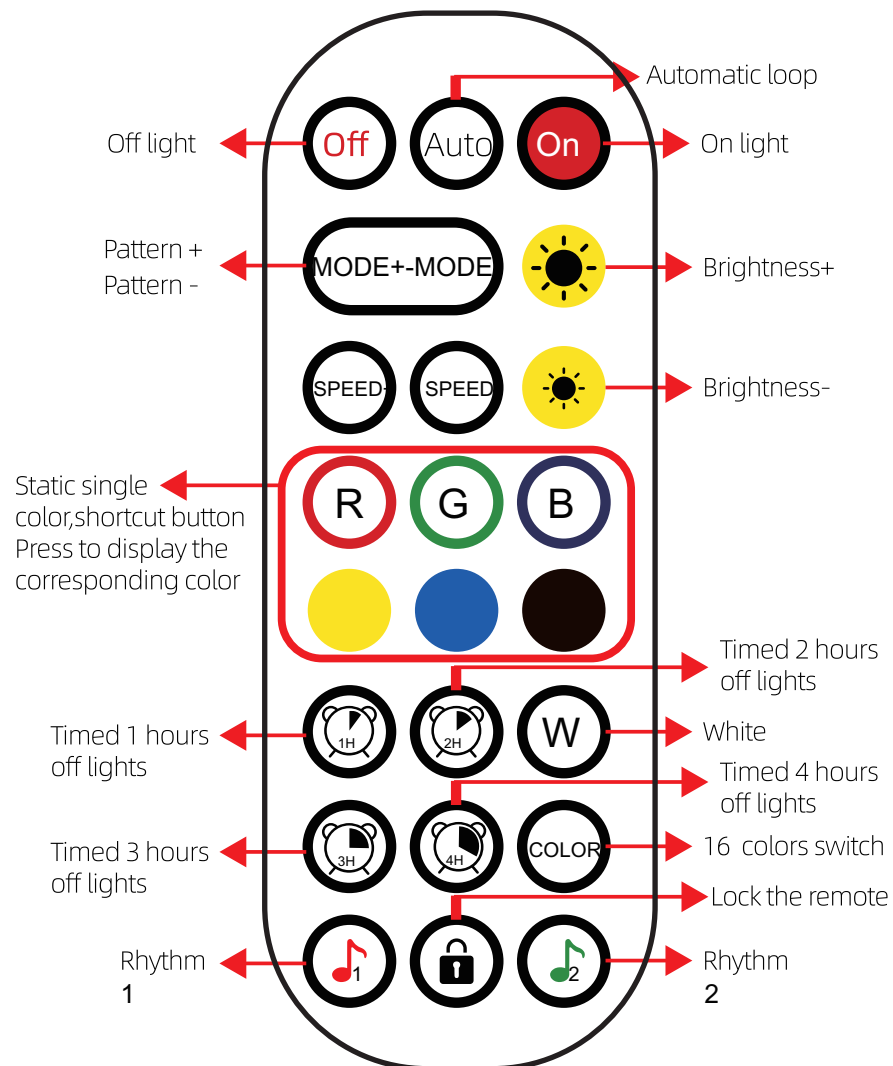


 **step 16**

Insert the power cord of the light strip -  
into the socket at the bedside.



# Remote Control



You can dim the light with the remote control or scan the QR code to download APP

## Problems You May Encounter

<b>PROBLEMS</b>	<b>SOLUTIONS</b>
<b>Non-human caused damage during usage.</b>	<b>Please Keep the product and send us photos of it. We will ascertain the cause of the product damage within 48 hours and provide a satisfactory solution.</b>
<b>Mismatch of screw hole positions between components.</b>	<b>1. Please tighten the screws on the board by 70%, do not tighten completely. 2. Adjust the direction of the component to check that the wrong hole position has not been selected.</b>
<b>Product is unstable after being assembled.</b>	<b>1. Check if the screws are tightened. 2. Read through out the manual, check are there any parts installed incorrectly or missing assembled.</b>
<b>Any missing or damaged components.</b>	<b>To solve the problem. We are committed to providing you with Free component shipping and replacement.</b>
<b>More problems or the above problems could not be solved.</b>	<b>Contact us, We will support you! bedyhome@hotmail.com</b>