





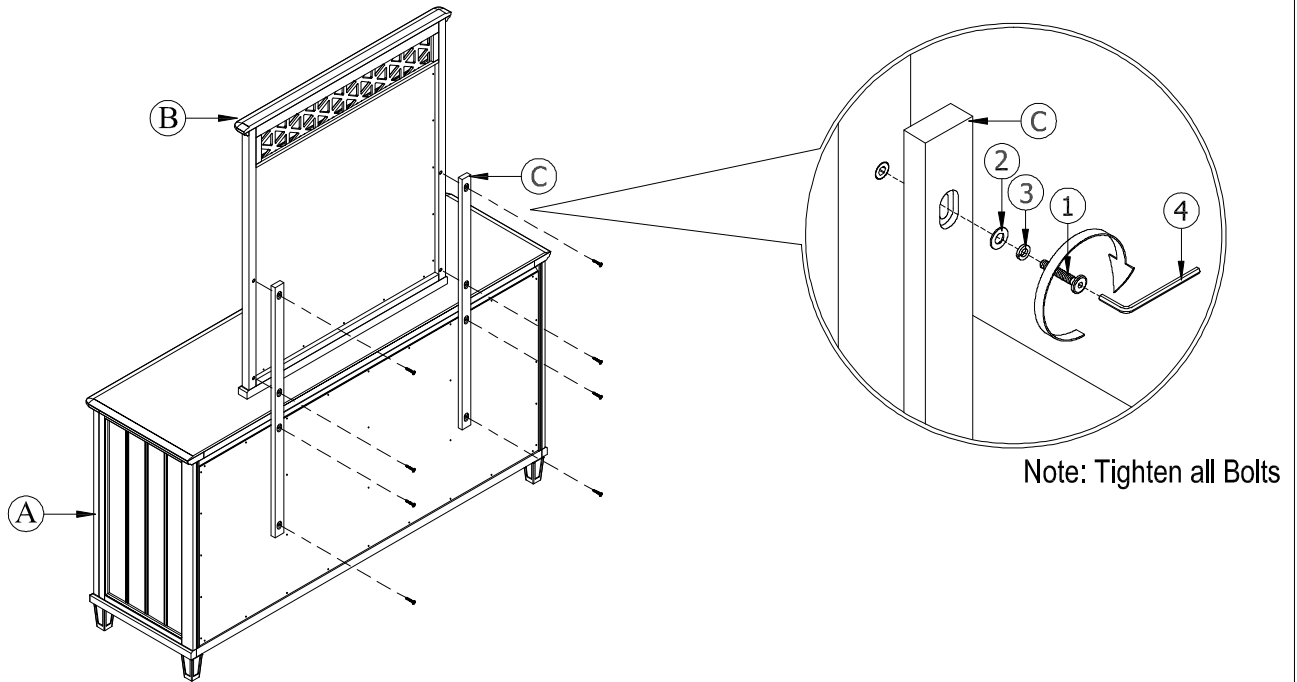
ASSEMBLY INSTRUCTIONS

Fret Landscape Mirror Drawer Dresser

Thank you for purchasing this quality product. Be sure to check all packing material carefully for small parts, which may have come loose inside the carton during shipment. Identify and count all part and compare with the Hardware List below.

Part List	No.	Description			Qty
	A	Dresser			1 Pc
	B	Fretwork Mirror			1 Pc
	C	Support Mirror			2 Pcs

Hardware List	No.	Picture	Description	Dimension	Qty
	1		Bolt	M6 x 40 mm	8 Pcs
	2		Thick Flat Washer	Ø16 x Ø6 x 2 mm	8 Pcs
	3		Lock Washer	Ø13 x Ø6 x 1 mm	8 Pcs
	4		Allen Wrench	M4	1 Pc



ASSEMBLY COMPLETE

