

# LED Wall Sconce Lights

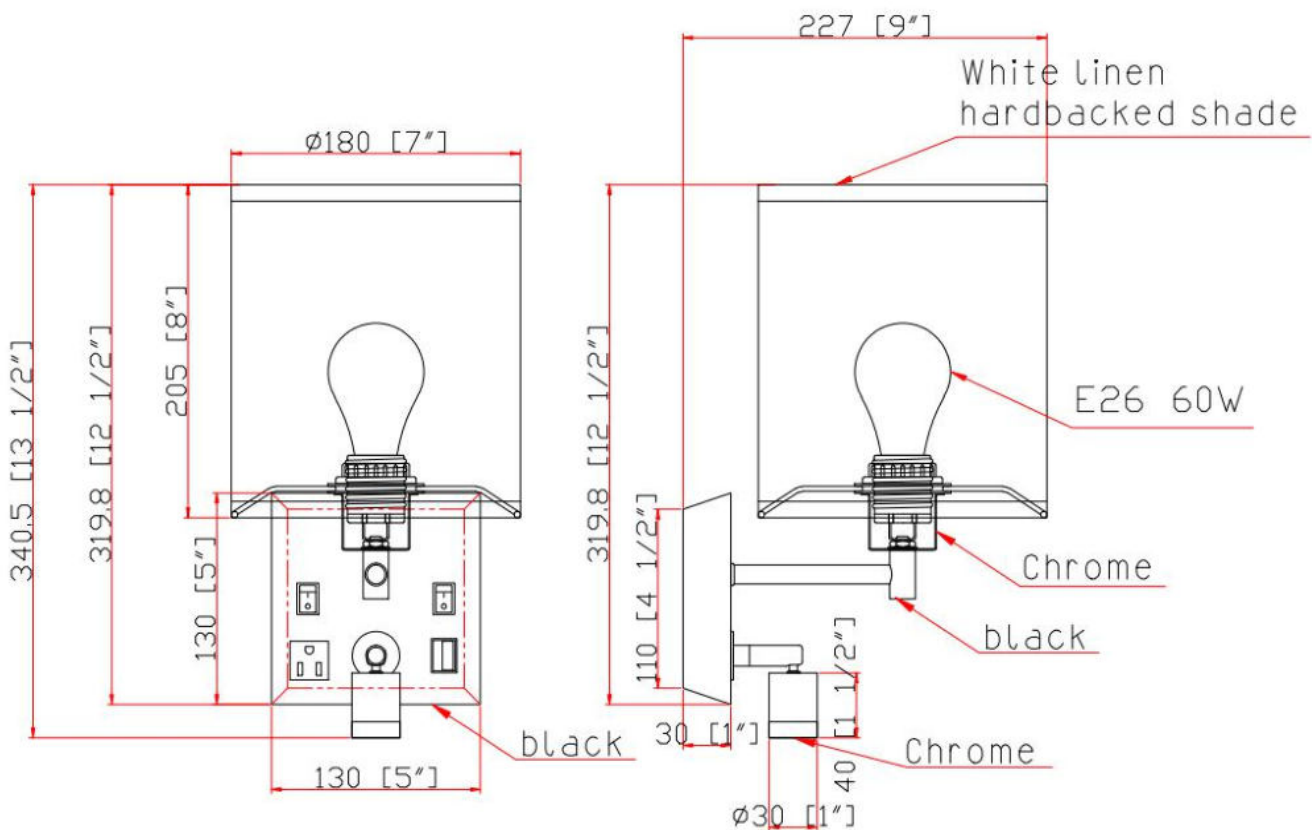


## LIGHT SPECIFICATIONS INDOOR WALL LAMP

### SPECIFICATIONS



• LAMP HOLDER	E26
• WATTS	<60W
• VOLTAGE	120V
• IP RATED	DRY LOCATION
• OPERATING TEMPRATURE	-15-40°C
• MATERIAL	FABRIC/ IRON
• FINISH	BRUSHED NICKEL
• CONFIGURATION	1W LED, 1 USB, 2 SWITCH AND 1 OUTLET
• SHADE SHAPE	ROUND
• SHADE MATERIAL	FABRIC
• SHADE COLOR	WHITE
• WARRANTY	3-YEAR LIMITED
• RECOMMENDED BULB	A19 EXCLUDED
• DIMMABLE	DEPENDS ON BULBS
N.W.:	1 KG
PACKAGE:	23*23*29.5CM



THE MEASUREMENTS ARE ROUNDED TO THE NEAREST 1/4"