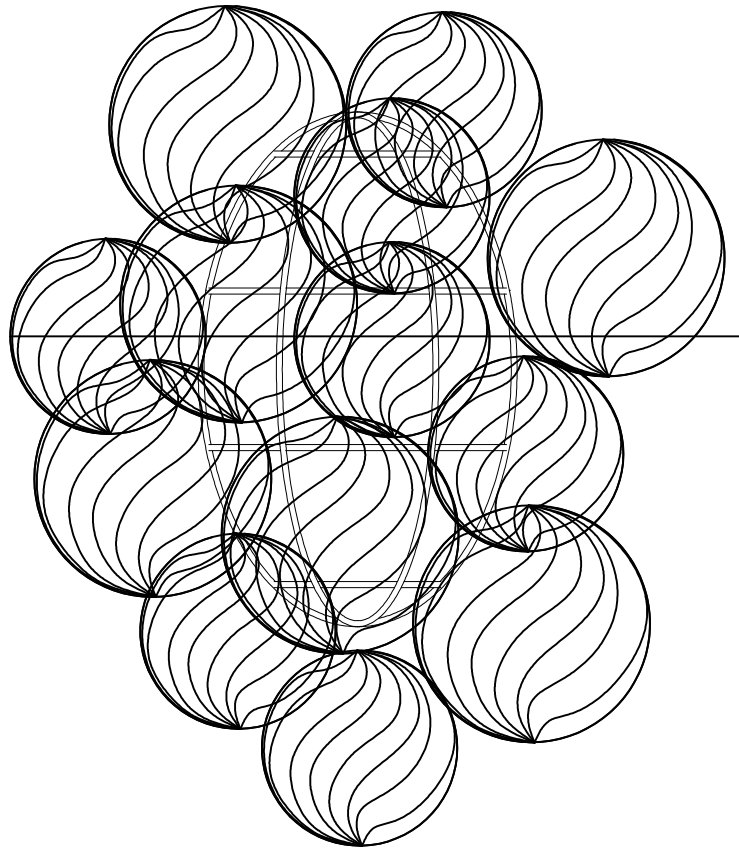


Installation Manual



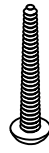
Accessory list



2PCS



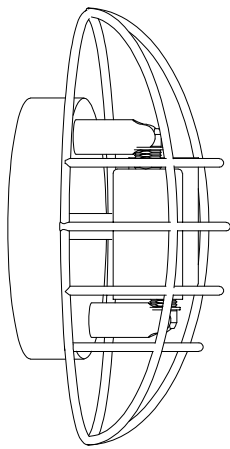
4PCS



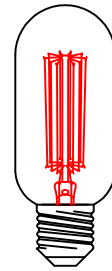
4pcs



4pcs



a.Lamp body+pegboard



b.Bulb*2



c1*6

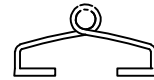


c2*8+1

c. Glass Globes



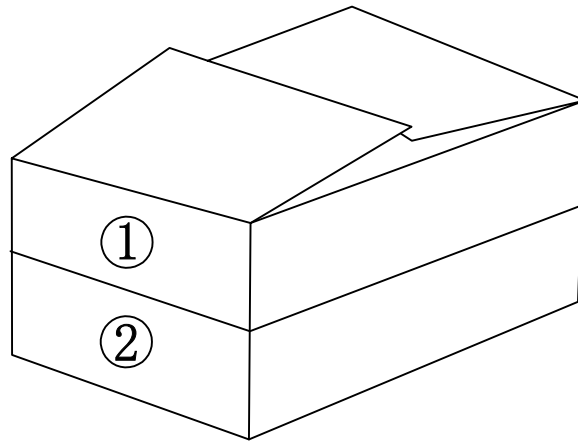
d1



d2

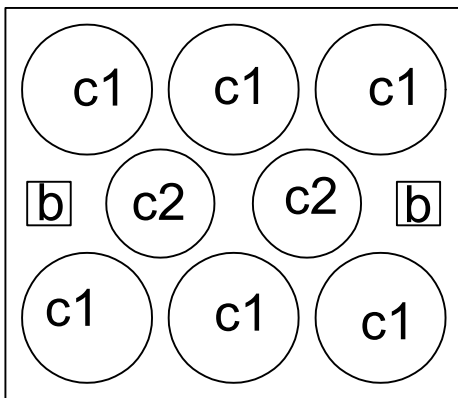
d.Hook

Packaging diagram:

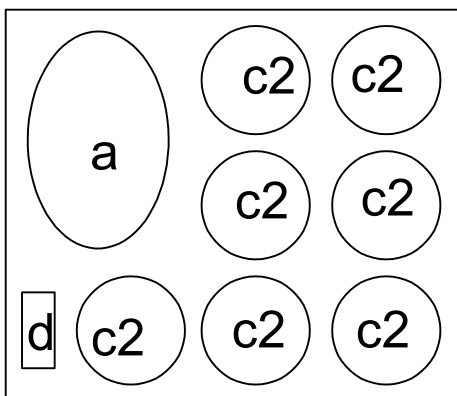


A

①



②



Inner Package Lists:

A1: Glass Globes, Hook, Bulb

A2: Glass Globes, Lamp Body, Hook,

Before assembly:

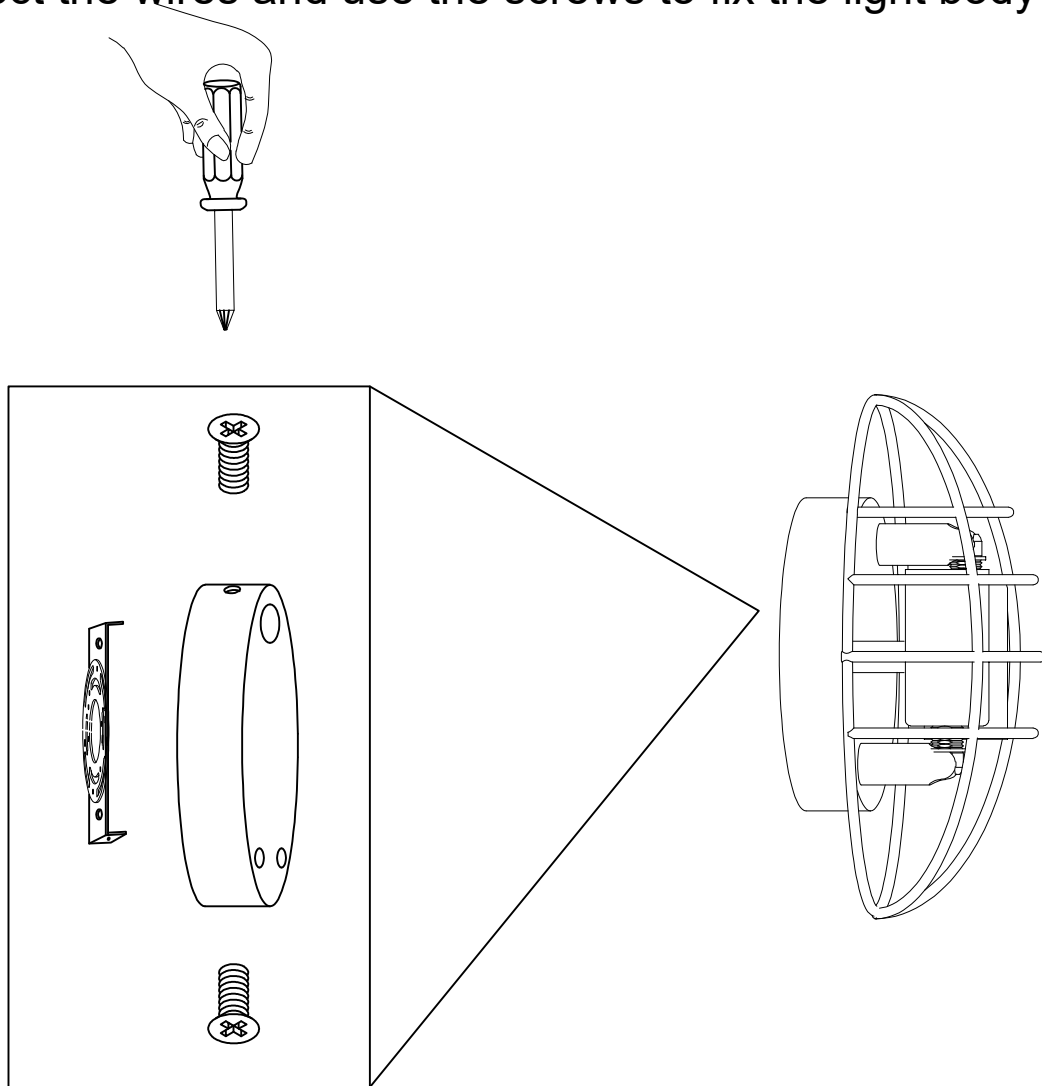
- ★ Please read all the instructions carefully.
- ★ Keep the instruction manual for future reference
- ★ Separate and list all parts and hardware
- ★ Read each step carefully and follow the correct installation order.
- ★ To avoid losing any parts during assembly, we recommend not moving the lamp before completing the assembly. Always place the product on a flat, firm, and stable surface.
- ★ Keep all small parts and packaging materials of this product away from babies and children, as they may cause serious injury.

★Product Parameters:

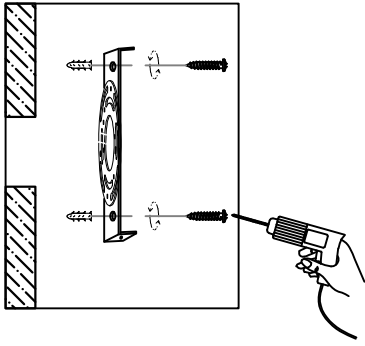
light: E12*2 watt: 5W (single) color temperature: 2700K

1. Installation of light fixture wall plate and ceiling tray:

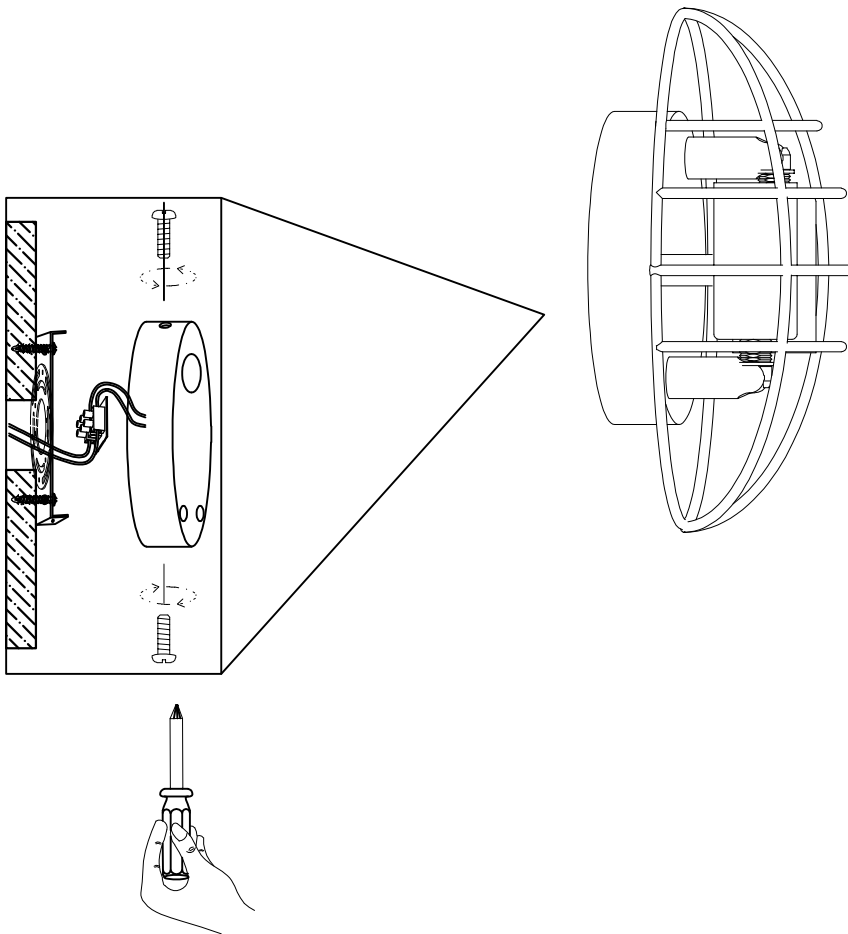
- (1). Find a. lamp body + pegboard from the sorting list.
- (2). Unscrew the screws and remove the plate from the lamp body.
- (3). Fasten the plate to the wall with the self-tapping screws.
- (4). Connect the wires and use the screws to fix the light body to the wall plate.



Step 1



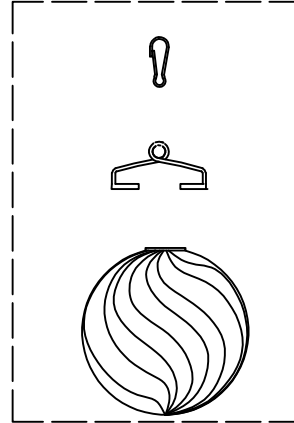
Step 2



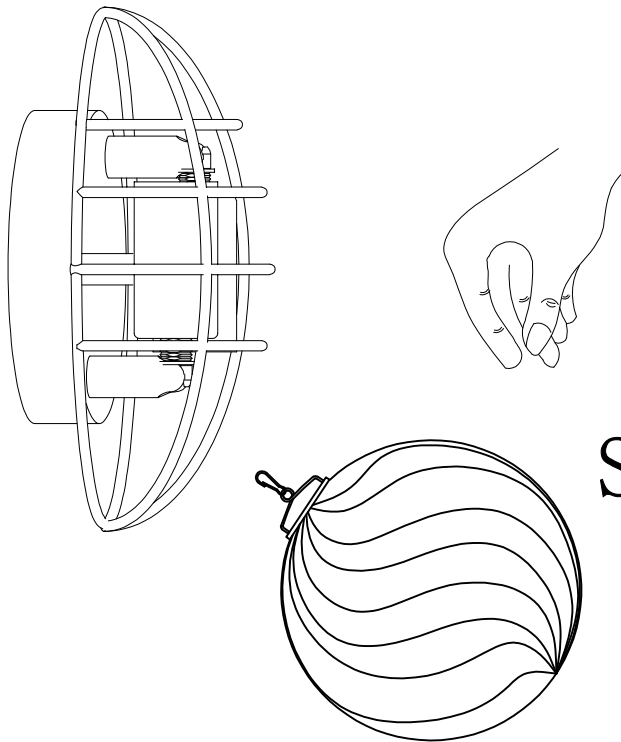
Step 3

2. Installation and Hanging of Glass Globes :

- (1). Attach the metal clasp to the metal ball first.
- (2). Hang the glass globe with the metal clasp installed on the outer frame of the luminaire in the row release manner as shown in the schematic diagram.



Step 1



Step 2

★ If your product has any issues upon receipt, please:

1. Provide your order number.
2. Attach a photo or video of the issue.
3. Contact us through the platform's customer service.